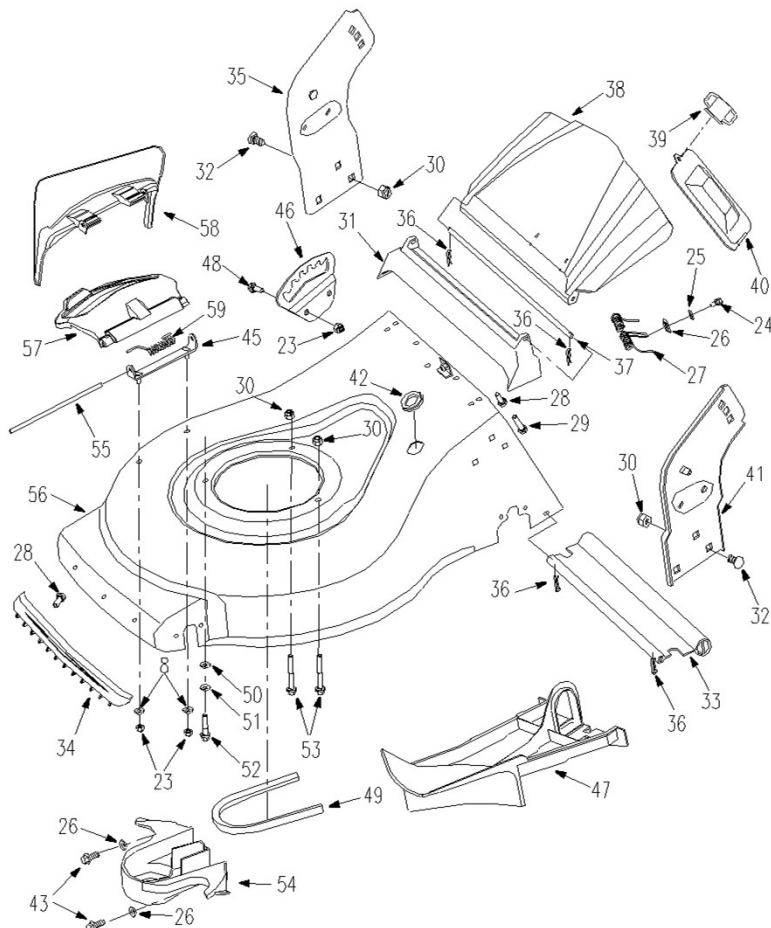
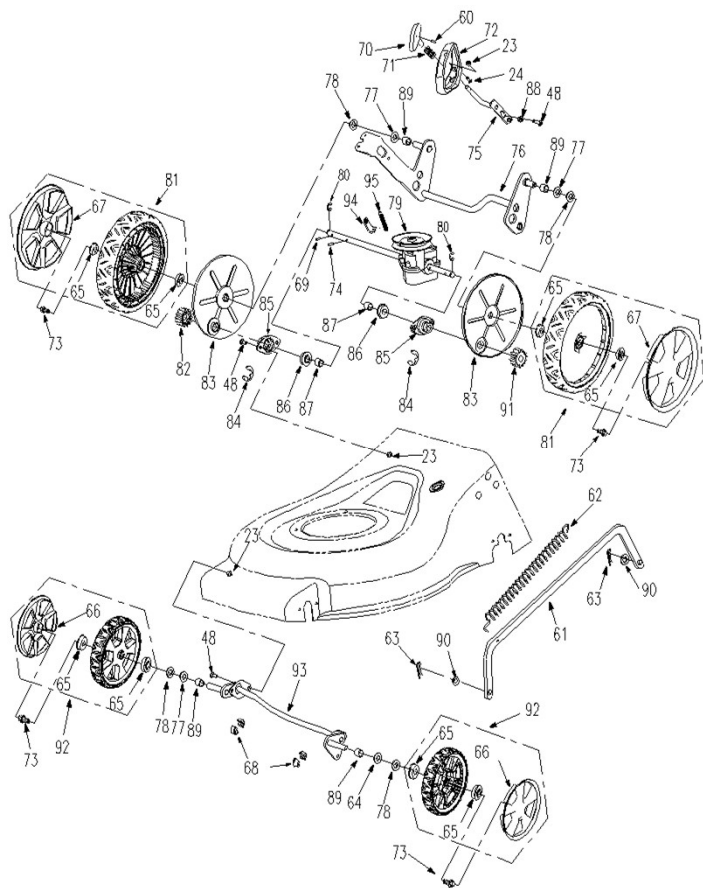


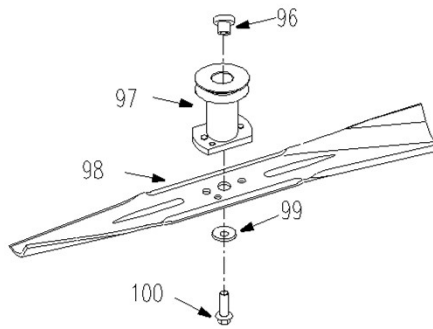
Ref. No.	Parts No	Description	Description	Quantity
7	B801-825	螺栓M8×25	Bolt M8×25	2
8	B97.1-6	垫圈6	Washer 6	2
9	18.6-04	把手护套	Handle Grip	1
10	2203003	限位块	Bracket	1
11	2003101	抱刹把手	Blade Control Handle	1
12	B923-6	盖形螺母M6	Nut M6	1
13	XSZ56-1-15	凹头螺栓	Bolt	2
14	2013301	下把手	Lower Handlebar	1
15	GB820-06040	螺钉M6×40	Screw M6×40	1
16	2003201	离合把手	Drive Clutch Lever	1
17	1850006B	异形螺母M8	Knob Nut M8	4
18	WORD18.6-05B	拉线钩	Guy Hook	1
20	2203334	拉线总成	Cable Unit	1
21	2003002D	上把手	Upper Handlebar	1
22	2011031	三卡线套	Cable Clamp	1
23	GB6182-06	螺母M6	Nylon Insert Lock Nut M6mm	1



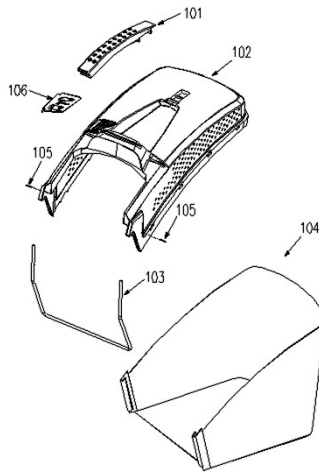
Ref. No.	Parts No	Description	Description	Quantity
8	B97.1-6	垫圈6	Washer 6	2
23	B6182-6	螺母M6	Nylon Insert Lock Nut M6mm	4
24	B5787-620	螺栓M6×20	Bolt M6x20	1
25	B93-6	垫圈6	Washer 6	1
26	B96-6	大垫圈6	Washer 6	3
27	2012006	扭簧	Torsion Spring	1
28	B5285-5513F	自攻螺钉ST5.5X13F型	Self Tapping Screw ST5.5X13F	6
29	B5285-5519C	自攻螺钉ST5.5X19C型	Self Tapping Screw ST5.5X19C	4
30	B6182-8	螺母M8	Nut M8	8
31	2012003	后盖板支架	Rack, Rear Cover	1
32	B801-816	螺栓M8×16	Bolt M8x16	6
33	2011069	挡帘	Rear Guard	1
34	2013009	草梳	Bumper	1
35	2205000A	右支架铆合	Right Bracket	1
36	B91-216	销2×16	Pin 2x16	4
37	2100350	后盖板轴	Rod, Rear Cover	1
38	2100466	后盖板	Rear Cover	1
39	2100012	蝶形螺母	Dish Nut	1
40	2008011	挡板	Board	1
41	2204000A	左支架铆合	Left Bracket	1
42	4LZ2.16.4-04	橡胶套	Rubber Ring	1
43	B5787-612	螺栓M6×12	Bolt M6x12	2
45	2213000	定位座铆合	Mounting Bracket, Discharging Chute	1
46	2012004	调高支架	Height Adjustment Rack	1
47	2012010	碎草塞	Mulching Plug	1
48	B5787-616	螺栓M6×16	Bolt M6x16	2
49	2012013	V型带A800	V belt A800	1
50	B93-8	垫圈8	Washer 8	1
51	B97.1-8	垫圈8	Washer 8	1
52	B5787-825	螺栓M8×25	Bolt M8x25	1
53	B5787-840	螺栓M8×40	Bolt M8x40	2
54	2000066	皮带罩	Belt cover	1
55	2000019	定位杆	Anti Rotation Bracket	1
56	2012820A	罩壳焊合	Deck	1
57	2000016	侧排盖板	Mulch Cover	1
58	2013008	侧排导板	Side Discharge Chute	1
59	2200021	扭簧	Torsion Spring	1



Ref. No.	Parts No	Description	Description	Quantity
23	B6182-6	螺母M6	Nylon Insert Lock Nut M6mm	10
24	B5787-620	螺栓M6×20	Bolt M6x20	2
48	B5787-616	螺栓M6×16	Bolt M6×16	9
60	B879-212	弹性销2×12	Pin 2x12	1
61	2012200	拉杆铆合	Haul Shank Seam	1
62	2200053	拉簧	Tension Spring	1
63	XSZ56-1-17	插销	Hair Pin	2
64	2012012	垫片	Washer	1
65	2201002	轴承	Nylon Bearing 1/2"	8
66	801	轮盖	Wheel Cap	2
67	1111	轮盖	Wheel Cap	2
68	WORD18-01	轴承	Nylon Bearing 1/2"	4
69	XSZ56-2-08	销	Roll Pin	2
70	2012701B	按钮	Knob	1
71	2012703	压簧	Spring	1
72	2012702	手柄	Handle	1
73	B5787-816	螺栓M8×16	Bolt M8×16	4
74	B879-516	销5×16	Pin 5x16	2
75	2013710	后手柄	Rear handle	1
76	2013720	后轮轴焊合	Rear Axle Assembly	1
77	B97.1-12	垫圈12	Washer 12	3
78	B955-12	垫圈12	Washer 12	4
79	84787	GT单速变速箱	GT transmission	1
80	B896-9	开口挡圈9	E-Clip 9mm	2
81	1110	11" 轮子	11" rear wheel	2
82	2200033	右齿轮	Pinion Gear, Right	1
83	110001	防尘盖	Cover	2
84	XSZ56-2-06	开口挡圈19	E-Clip 19mm	2
85	2207002A	后轴承座	Bearing Housing	2
86	2207003	冲压轴承8806	Bearing 8806	2
87	2207001	隔套	Bushing	2
88	2007006	隔套	Bushing	1
89	2007401	隔套	Bushing	4
90	2000086	平垫圈8	Washer 8	2
91	2200032	左齿轮	Pinion Gear, Left	1
92	800	8" 轮子	8" wheel	2
93	2012900	前轴焊合	Front Shaft Assembly	1
94	2100496	支撑板	Support plate	1
95	2012016	变速箱张紧弹簧	Spring	1



Ref. No.	Parts No	Description	Description	Quantity
96	1819001	刀座垫套	Bushing	1
97	2012100D	刀座带轮焊合	Blade Adaptor Pulley	1
98	2000002D	刀片	Blade	1
99	XSZ56-2-17	垫圈	Washer	1
100	2200010	中心螺栓	Bolt	1



Ref. No.	Parts No	Description	Description	Quantity
101	2100463A	草箱把手	Grass Bag Handle	1
102	2100447A	草箱上盖	Grass Bag Cover	1
103	2012611	草箱框架	Bag Frame	1
104	2012620	布袋组合	Fabric Bag	1
105	B879-2513	弹性销2.5X13	Pin 2.5x13	2
106	2100446A	观察盖	Access Plate	1