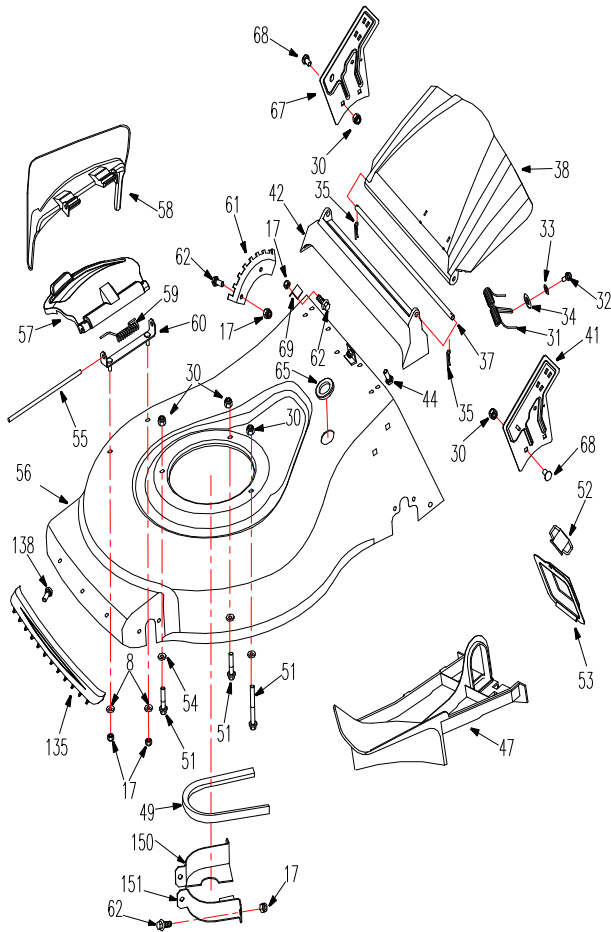
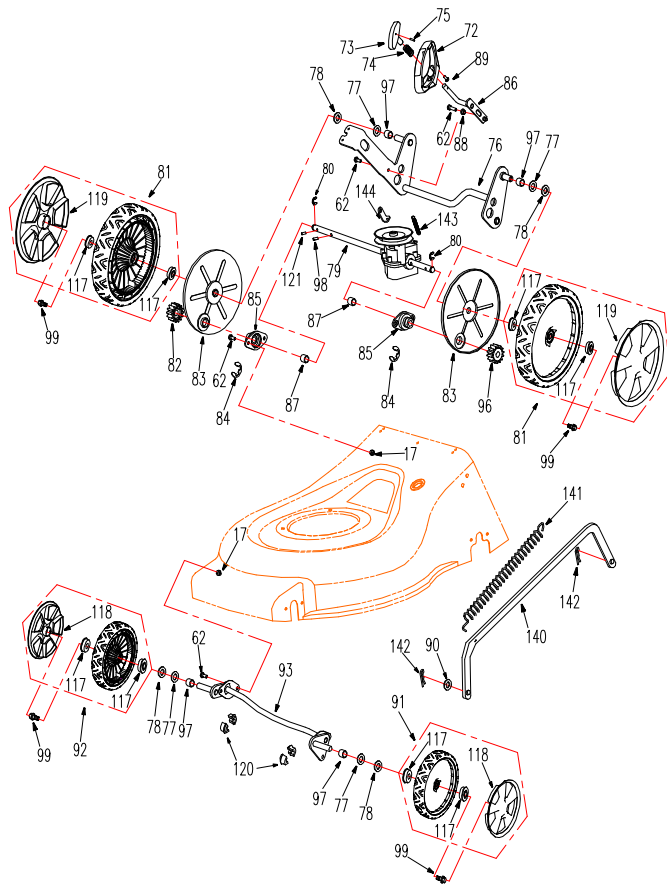


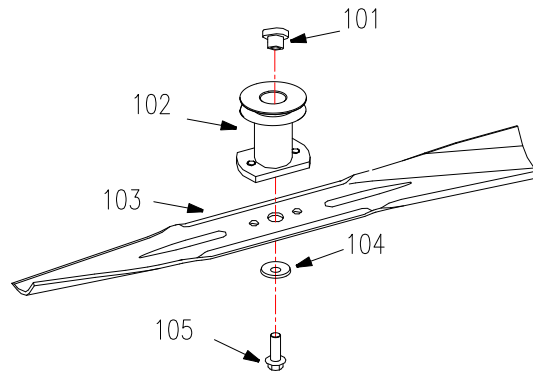
Ref. No.	Parts No	Description	Description	Quantity
8	GB97.1-06	垫圈6	Washer 6	2
9	18.6-04	把手护套	Handle Grip	1
10	2203003	限位块	Bracket	1
11	2003101	抱刹把手	Blade Control Handle	1
13	XSZ56-1-15	凹头螺栓	Bolt	2
14	GB923-06	盖型螺母M6	Nut M6	1
15	GB820-06040	螺钉M6×40	Screw M6×40	1
16	2003201	离合把手	Drive Clutch Lever	1
17	GB6182-06	螺母M6	Nylon Insert Lock Nut M6mm	1
18	WORD18.6-05B	拉线钩	Guy Hook	1
20	2100625	拉线总成	Cable Unit	1
21	2003002D	上把手	Upper Handlebar	1
22	2011031	三卡线套	Cable Clamp	1
26	1850006B	异形螺母	Knob Nut M8	4
27	1813301	下把手	Lower Handlebar	1
29	GB801-08040	螺栓M8×40	Bolt M8×40	2



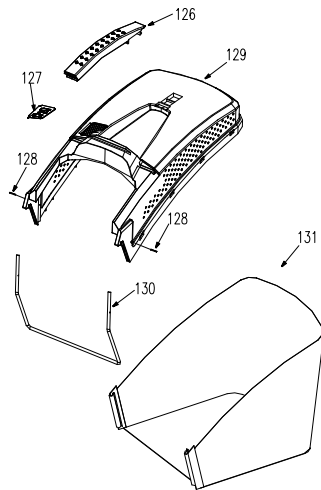
Ref. No.	Parts No	Description	Description	Quantity
8	GB97.1-06	垫圈6	Washer 6	2
17	GB6182-06	螺母M6	Nylon Insert Lock Nut M6mm	8
30	GB6182-08	螺母M8	Nut M8	7
31	2100369	扭簧	Torsion Spring	1
32	GB16674.1-06020	螺栓M6×20	Bolt M6×20	1
33	GB93-06	垫圈6	Washer 6	1
34	GB96-06	垫圈6	Washer 6	1
35	GB91-02016	销2×16	Pin 2×16	2
37	2100350	后盖板轴	Rod, Rear Cover	1
38	2100466	后盖板	Rear Cover	1
41	1822004	左支架铆合	Left Bracket	1
42	1812004	后盖板支架	Rack, Rear Cover	1
44	GB5285-55190	自攻螺钉ST5.5×19	Self Tapping Screw ST5.5×19	7
47	1800019	碎草塞	Mulching Plug	1
49	1800001A	V型带Z762	V belt Z762	1
51	GB16674.1-08040	螺栓M8×40	Bolt M8×40	3
52	2100012	碟形螺母	Dish Nut	1
53	1813011	挡板	Board	1
54	GB97.1-08	垫圈8	Washer 8	3
55	2000019	定位杆	Anti Rotation Bracket	1
56	1813810	罩壳焊合	Deck	1
57	1813012	侧排盖板	Mulch Cover	1
58	1800017	侧排导板	Side Discharge Chute	1
59	2200021	扭簧	Torsion Spring	1
60	2213000	定位座铆合	Mounting Bracket, Discharging Chute	1
61	1812005A	调高支架	Height Adjustment Rack	1
62	GB16674.1-06016	螺栓M6×16	Bolt M6×16	6
65	4LZ2.16.4-04	橡胶套	Rubber Ring	1
67	1822006	右支架铆合	Right Bracket	1
68	GB801-08016	螺栓M8×16	Bolt M8×16	4
69	1813011	挡板	Guard	1
135	1813006	草梳	Bumper	1
138	GB5285-55130F	自攻螺钉ST5.5X13F型	Self Tapping Screw ST5.5X13F	3
150	2200058	右带轮罩焊合	Belt Cover,Right	1
151	2200057	左带轮罩焊合	Belt Cover,Left	1



Ref. No.	Parts No	Description	Description	Quantity
17	GB6182-06	螺母M6	Nylon Insert Lock Nut M6mm	9
62	GB16674.1-06016	螺栓M6×16	Hex Hd. Flange Bolt M6X16mm	9
72	2012702	手柄	Handle	1
73	2012701B	按钮	Knob	1
74	2012703	压簧	Spring	1
75	GB879-02012	弹性销2×12	Pin 2x12	1
76	1804200	后轮轴焊合	Rear Axle Assembly	1
77	GB97.1-12	垫圈12	Washer 12	4
78	GB955-12	垫圈12	Washer 12	4
79	84907	GT单速变速箱	GT transmission	1
80	GB896-09	开口挡圈9	E-Clip 9mm	2
81	1110	后轮	Rear Wheel	2
82	2200033	右齿轮	Pinion Gear, Right	1
83	110001	防尘盖	Cover	2
84	XSZ56-2-06	开口挡圈19	E-Clip 19mm	2
85	2207002B	后轴承座	Bearing Housing	2
86	2012710	后手柄	Rear handle	1
87	2207001	隔套	Bushing	2
88	2007006	隔套	Bushing	1
89	GB16674.1-06020	螺栓M6×20	Bolt M6x20	2
90	2000086	平垫圈8	Washer 8	1
91	800	8“轮子	8" wheel	2
93	1809320	前轴焊合	Front Shaft Assembly	1
96	2200032	左齿轮	Pinion Gear, Left	1
97	2007401	隔套	Bushing	4
98	GB879-05016	销5×16	Pin 5x16	2
99	GB16674.1-08016	螺栓M8×16	Square Neck Bolt M8X16mm	4
117	2201002	轴承	Nylon Bearing 1/2"	8
118	801	轮盖	Wheel Cap	2
119	1111	轮盖	Wheel Cap	2
120	WORD18-01	轴承	Nylon Bearing 1/2"	4
121	XSZ56-2-08	销	Roll Pin	2
140	1805000	拉杆铆合	Haul Shank Seam	1
141	2200053	拉簧	Tension Spring	1
142	XSZ56-1-17	插销	Hair Pin	2
143	1812009	变速箱张紧弹簧	Spring	1
144	2100496	支架板	Support plate	1



Ref. No.	Parts No	Description	Description	Quantity
101	1819001	刀座垫套	Bushing	1
102	1819300	刀座带轮焊合	Blade Adaptor Pulley	1
103	XSS46-01D	刀片	Blade	1
104	XSZ56-2-17	垫圈	Washer	1
105	WORD18-08A	螺栓3/8-24UNFx1-3/4	Bolt	1



Ref. No.	Parts No	Description	Description	Quantity
126	2100463A	草箱把手	Grass Bag Handle	1
127	2100446A	观察盖	Access Plate	1
128	GB879-25130	弹性销2.5X13	Pin 2.5x13	2
129	2100447A	草箱上盖	Grass Bag Cover	1
130	2012611	草箱框架	Bag Frame	1
131	1806520	布袋组合	Fabric Bag	1