

CS-4310SX

Serial Number

38000001-38999999

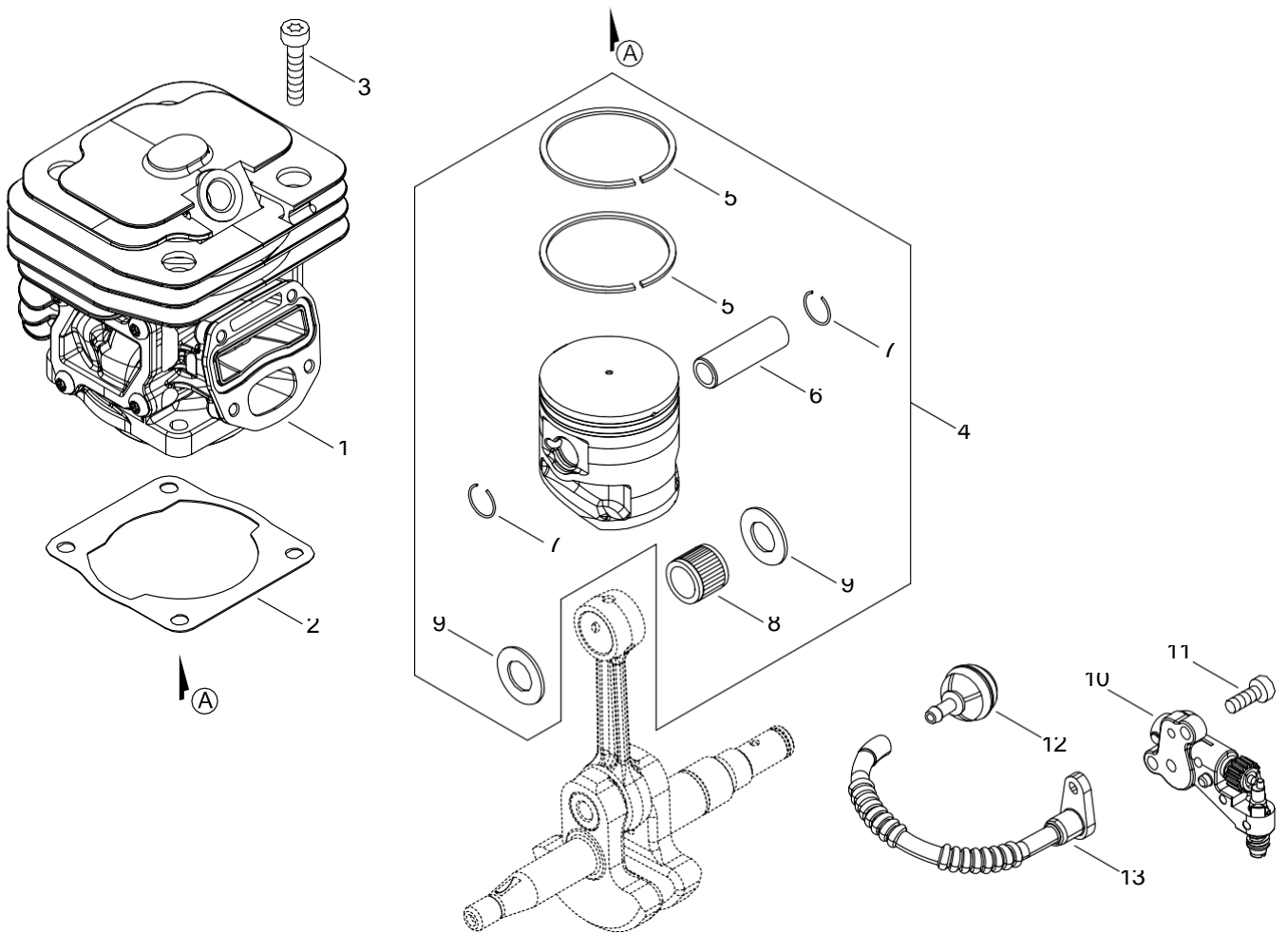
Last updated date

22/Feb/2023

TABLE OF CONTENTS

CYLINDER, PISTON.....	1
CRANKCASE	3
MAGNETO.....	5
AIR CLEANER, CARBURETOR.....	7
CARBURETOR	9
MUFFLER.....	11
RECOIL STARTER	13
HANDLE	15
CHAIN BRAKE.....	17
ACCESSORIES	19
GUIDE BAR, CHAIN	21
OPTION PARTS.....	23

CYLINDER, PISTON



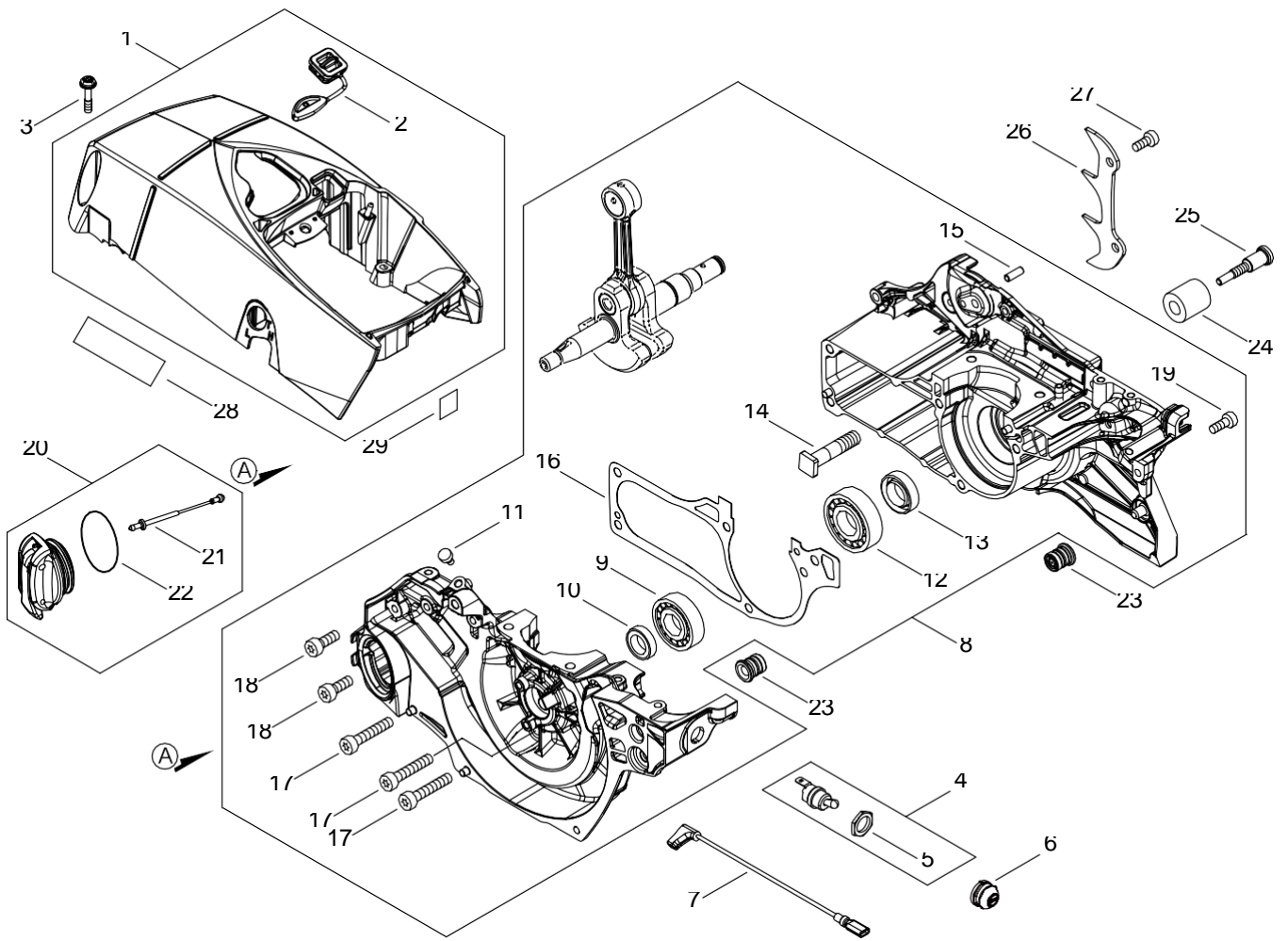
CYLINDER, PISTON

Key No.	LV (+)	Parts Number	Parts Description	Qty	Standard	Class
1		P100-008310	CYLINDER ASY	1		
2		V100-000890	GASKET,CYL	1	T0.5	B
3		V805-000210	BOLT, TORX 5	4	TB-5*20 12.9	C
4		P100-008320	PISTON KIT	1		
5	+	A101-000800	RING, PISTON	2		B
6	+	100013-39730	PIN, PISTON	1		D
7	+	V580-000110	SNAP RING	2		C
8	+	V555-000140	BEARING,NEEDLE	1		B
9	+	100014-02260	WASHER	2		C
10		C022-000121	AUTO-OILER ASSEMBLY	1	H2-1M-47F/001	C
10		C022-000221	AUTO-OILER ASSEMBLY	1	ZP05	C
11		V804-000050	BOLT, TORX 4	2	TB-4*12 10.9	C
12		436205-14730	STRAINER, OIL	1		B
13		V470-002370	PIPE	1		C

Class : Consumable class

A:Fast moving parts B:Semi-fast moving parts C:Slow moving parts D:Order only as needed

CRANKCASE



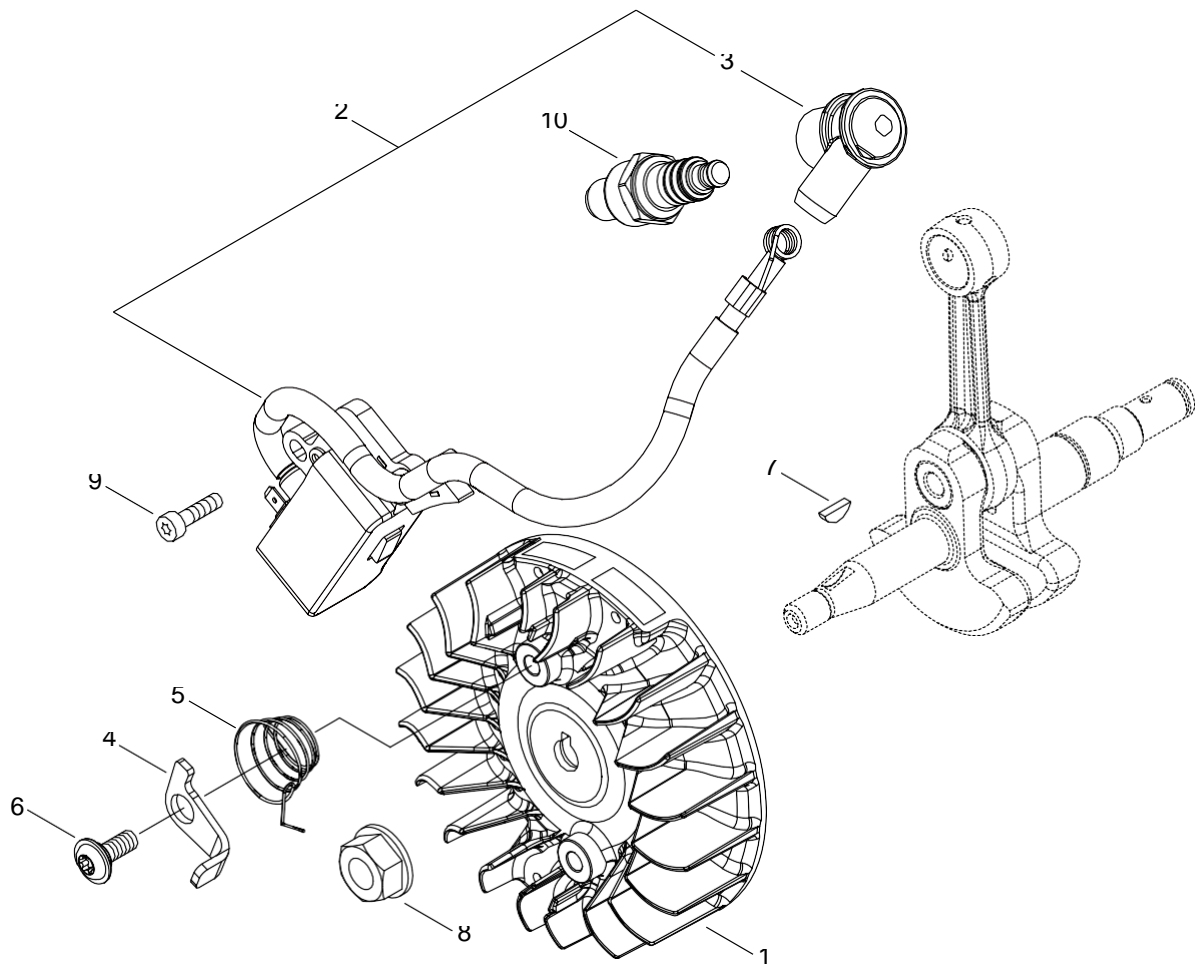
CRANKCASE

Key No.	LV (+)	Parts Number	Parts Description	Qty	Standard	Class
1		P100-008501	CYLINDER COVER ASY	1		C
2	+	A219-000080	SHUTTER, AIR	1		C
3		V202-000780	BOLT,4	3	M4*18_12.9	C
4		P100-011170	SWITCH, ON OFF	1		C
5	+	V266-000260	NUT,10	1	M10X0.75	C
6		V494-001250	CAP	1	STOP SWITCH	C
7		V485-003410	LEAD	1		C
8		P100-011190	CRANKCASE SET	1		C
9	+	94035-36201	BEARING, BALL	1	6201	
10	+	V505-000070	OIL SEAL	1		C
11	+	A356-000130	VALVE,CHECK	1		B
12	+	V592-000290	BEARING, BALL	1	6202X47C3	C
13	+	V508-000070	OIL SEAL	1		C
14	+	433011-19831	STUD, GUIDE BAR	2		C
15	+	V629-000000	ROLLER	2		C
16	+	V102-000340	GASKET,CRANKCASE	1	T0.3	B
17	+	V805-000180	BOLT, TORX 5	3	TB-5*30 12.9	C
18	+	V805-000250	BOLT, TORX 5	2	TB-5*16 12.9	C
19	+	V804-000100	BOLT, TORX 4	1	TB-4*16 12.9	C
20		P100-008410	CAP,OIL ASY	1		C
21	+	A365-000150	CONNECTOR,CAP	1		B
22	+	900720-20029	O-RING	1	P-29	
23		V420-005550	CUSHION	2		B
24		C310-000110	CATCHER, CHAIN	1		B
25		V203-002480	BOLT,5	1		C
26		C304-000140	SPIKE	1		C
27		V805-000300	BOLT, TORX 5	2	TB-5*12 12.9	C
28		X502-000390	LABEL,ECHO	1	ECHO 72.5*15	D
29		X510-001310	LABEL,SWITCH	1	PUSH STOP	D

Class : Consumable class

A:Fast moving parts B:Semi-fast moving parts C:Slow moving parts D:Order only as needed

MAGNETO



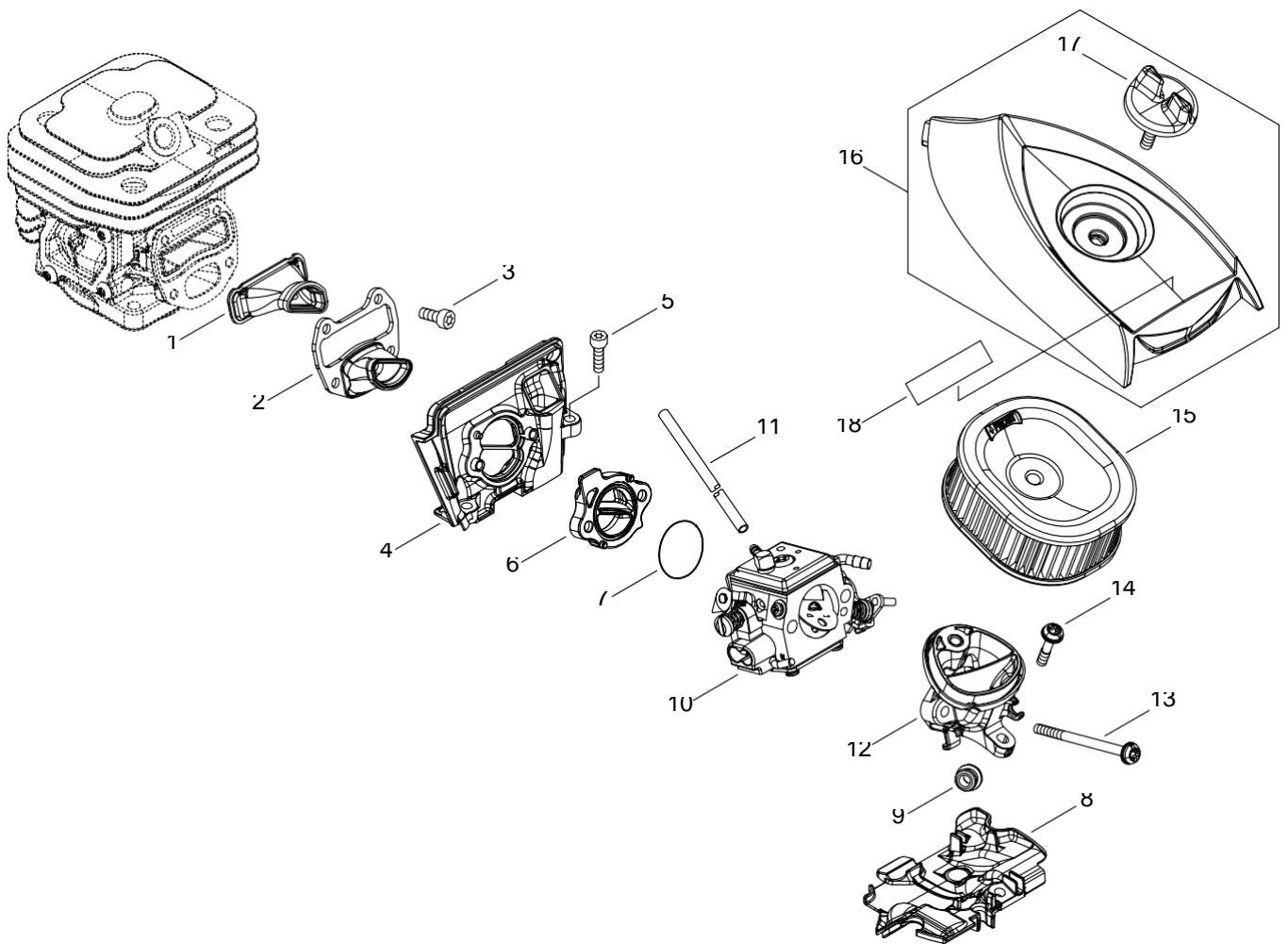
MAGNETO

Key No.	LV (+)	Parts Number	Parts Description	Qty	Standard	Class
1		A409-001390	ROTOR, MAGNETO	1		C
2		P200-001650	COIL, IGNITION ASY	1		C
3	+	A427-000190	CAP, SPARK PLUG	1		C
4		A514-000220	PAWL	2		C
5		V452-000870	SPRING, TORSION	2		B
6		V203-002250	BOLT, 5	2		C
7		93115-03010	KEY, WOODRUFF	1	3*10	C
8		900515-00008	NUT, FLANGE	1	8	
9		V804-000100	BOLT, TORX 4	2	TB-4*16 12.9	C
10		A425-000060	SPARKPLUG	1	CMR7H	A

Class : Consumable class

A:Fast moving parts B:Semi-fast moving parts C:Slow moving parts D:Order only as needed

AIR CLEANER, CARBURETOR



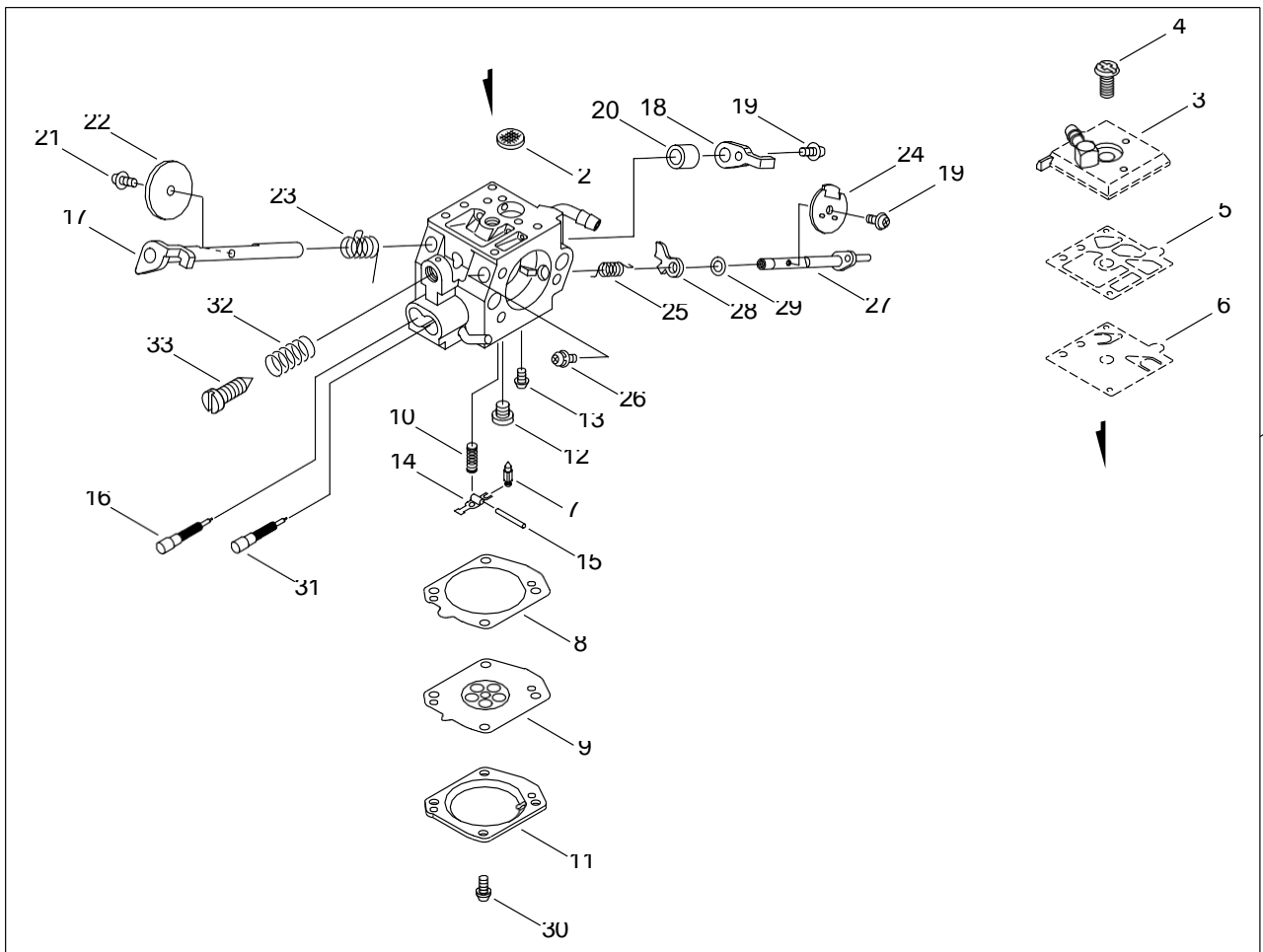
AIR CLEANER, CARBURETOR

Key No.	LV (+)	Parts Number	Parts Description	Qty	Standard	Class
1		A202-000340	BELLOWS, INTAKE	1		C
2		A202-000350	BELLOWS, INTAKE	1		C
3		V804-000050	BOLT, TORX 4	4	TB-4*12 10.9	C
4		A200-001240	INSULATOR, INTAKE	1		C
5		V804-000100	BOLT, TORX 4	2	TB-4*16 12.9	C
6		A200-001250	INSULATOR, INTAKE	1		C
7		900724-00022	O-RING	1	S-22	
8		A127-000570	COVER,DUST	1		C
9		132115-01462	GROMMET	1		C
10		A021-005350	CARBURETOR,DIAPHRAGM	1		B
11		437216-32631	PIPE 3* 6*125	1	3*6*125	C
12		A204-000270	ELBOW, CARBURETOR	1		C
13		V202-000790	BOLT,4	2	M4*55	C
14		V202-000780	BOLT,4	1	M4*18_12.9	C
15		A226-002330	ELEMENT, AIR FILTER	1		A
16		P100-008520	CLEANER COVER ASY	1		
17	+	A235-000490	KNOB,CLEANER LID	1		C
18		X503-016040	LABEL,MODEL	1	CS-4310SX XSER.	D

Class : Consumable class

A:Fast moving parts B:Semi-fast moving parts C:Slow moving parts D:Order only as needed

CARBURETOR



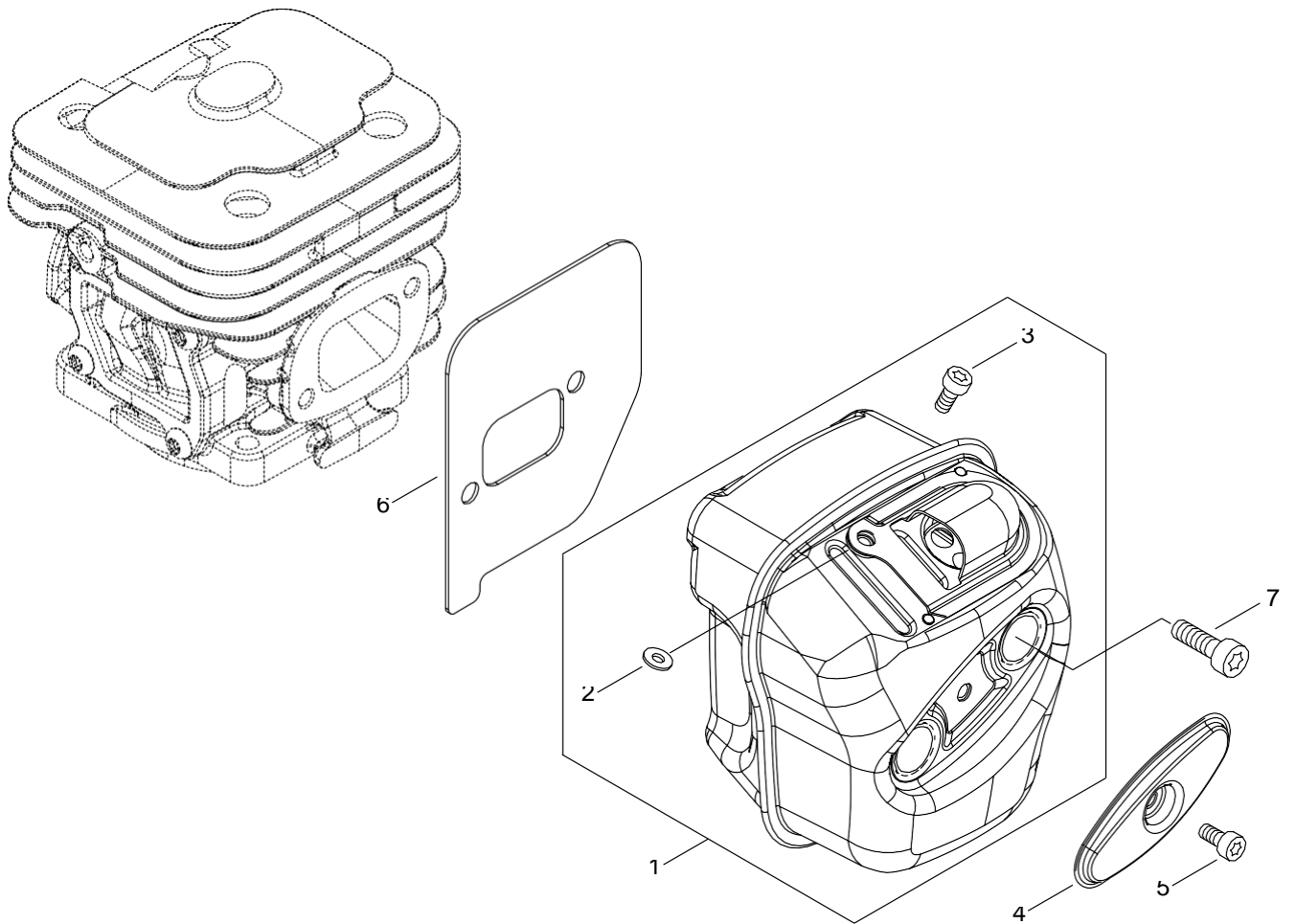
CARBURETOR

Key No.	LV (+)	Parts Number	Parts Description	Qty	Standard	Class
1		A021-005350	CARBURETOR,DIAPHRAGM	1		B
2	+	123126-10631	SCREEN, INLET	1		B
3	+	P003-006320	COVER, FUEL PUMP	1		
4	+	123110-16130	SCREW, PUMP COVER	1		D
5	+	123125-12330	GASKET, FUEL PUMP	1		A
6	+	123112-12330	DIAPHRAGM, FUEL PUMP	1		A
7	+	123137-19830	VALVE, INLET NEEDLE	1		D
8	+	123140-16130	GASKET, M. DIAPHRAGM	1		A
9	+	P003-006330	DIAPHRAGM, METERING	1		
10	+	123122-39830	SPRING, METER. LEVER	1		D
11	+	P003-006340	COVER, M. DIAPHRAGM	1		
12	+	123146-10631	PLUG, WELCH	1		C
13	+	123139-03930	SCREW, M. LEVER PIN	1		D
14	+	123123-16130	LEVER, METERING	1		
15	+	123138-03930	PIN, METERING LEVER	1		D
16	+	P003-004460	NEEDLE	1		D
17	+	P003-006350	SHAFT ASY,THROTTLE	1		
18	+	P003-006360	THROTTLE, LEVER	1		
19	+	123114-38830	SCREW	2		D
20	+	P003-002910	SPACER	1		
21	+	P003-002380	SCREW	1		D
22	+	P003-006370	VALVE	1		
23	+	P003-006380	SPRING	1		
24	+	P003-006390	VALVE	1		
25	+	P003-006400	SPRING	1		
26	+	P003-006410	SCREW	1		
27	+	P003-006420	SHAFT-CHOKE(MOLD)	1		
28	+	P003-006430	LEVER-FAST IDLE	1		
29	+	123149-26030	WASHER	1		D
30	+	123130-02960	SCREW	4		D
31	+	P003-006520	NEEDLE	1		D
32	+	123133-04260	SPRING, IDLE ADJUST	1		D
33	+	P003-003650	IDEL SCREW	1		

Class : Consumable class

A:Fast moving parts B:Semi-fast moving parts C:Slow moving parts D:Order only as needed

MUFFLER



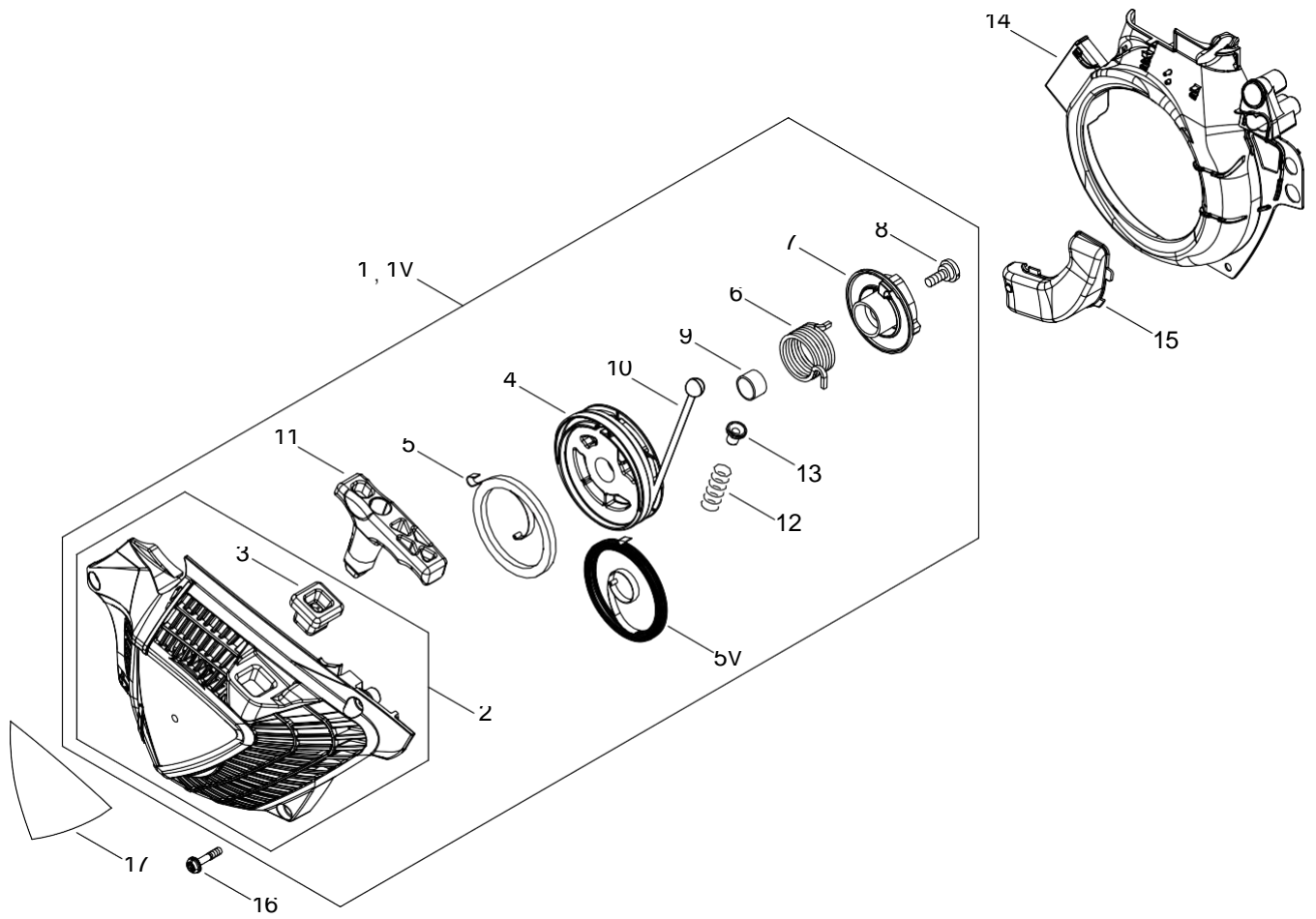
MUFFLER

Key No.	LV (+)	Parts Number	Parts Description	Qty	Standard	Class
1		P100-008430	MUFFLER ASY	1		
2	+	900602-00004	WASHER	1	4	
3	+	V804-000140	BOLT, TORX 4	1	TB-4*6 ALL 10.9	C
4		A301-000090	PLATE, MUFFLER	1	T0.5	C
5		V804-000140	BOLT, TORX 4	1	TB-4*6 ALL 10.9	C
6		V104-002500	GASKET,EXHAUST	1		A
7		V805-000250	BOLT, TORX 5	2	TB-5*16 12.9	C

Class : Consumable class

A:Fast moving parts B:Semi-fast moving parts C:Slow moving parts D:Order only as needed

RECOIL STARTER



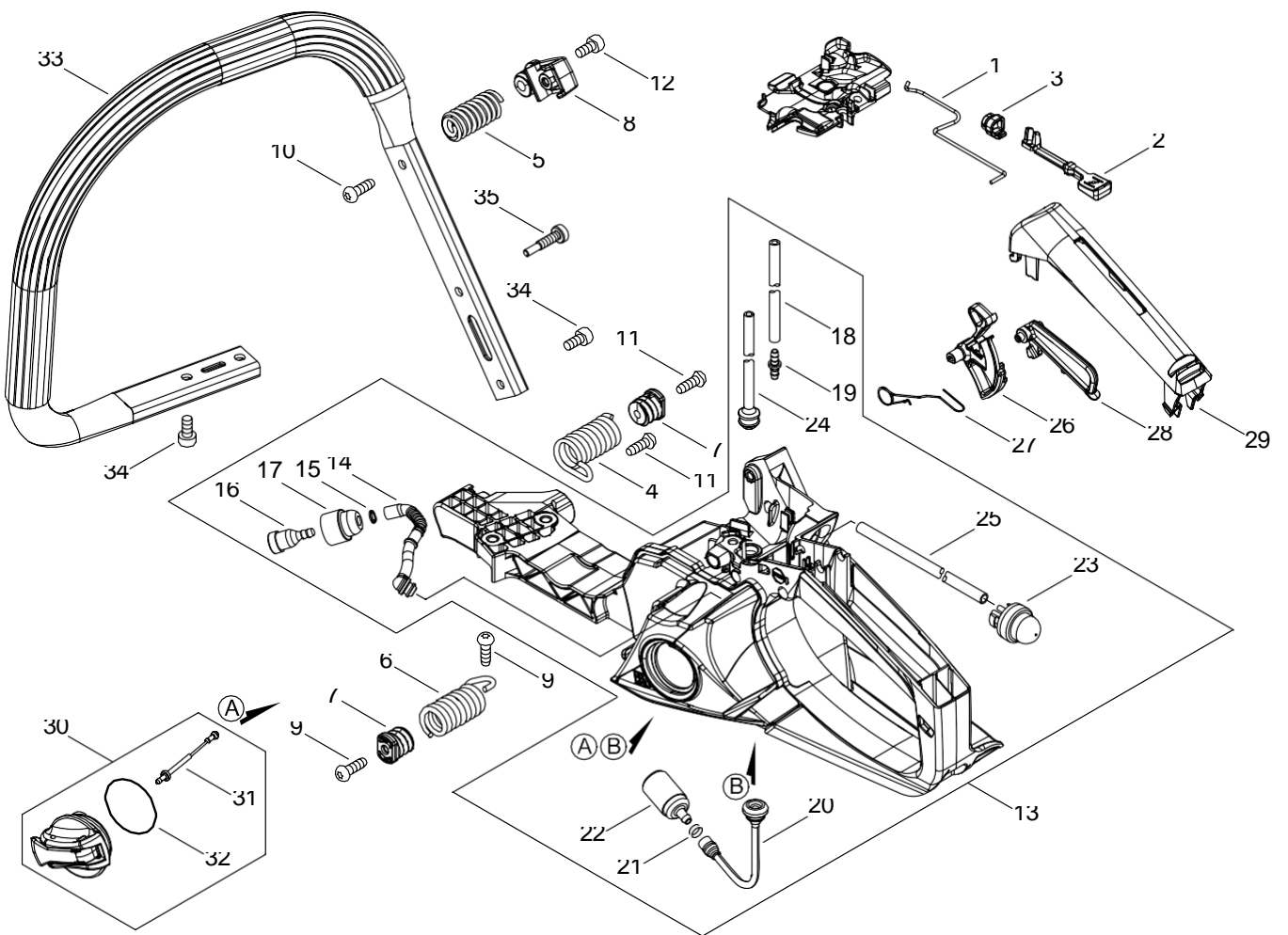
RECOIL STARTER

Key No.	LV (+)	Parts Number	Parts Description	Qty	Standard	Class
1		A051-003480	STARTER,RECOIL ASY	1		B
1V		A051-003481	STARTER,RECOIL ASY	1		B
2	+	P022-054810	CASE,STARTER ASY	1		
3	++	P022-054830	GUIDE ROPE	1		
4	+	P022-054840	DRUM	1		
5	+	P022-054850	SPRING, SPIRAL	1		
5V	+	P022-046540	SPRING, SPIRAL	1	Používat tento typ	
6	+	P022-054860	SPRING,DAMPER	1		
7	+	P022-054870	PLATE, CAM	1		
8	+	177236-61830	SCREW	1		
9	+	P022-054890	SPACE, PIPE	1		
10	+	P022-054900	ROPE	1		
11	+	P022-036780	GRIP, STARTER	1		
12	+	V450-001170	SPRING, COMPRESSION	1		B
13	+	V376-001400	SPACER	1		C
14		A172-003610	COVER,FAN	1		C
15		A161-000410	DUCT, AIR	1		C
16		V202-000780	BOLT,4	3	M4*18_12.9	C
17		X547-003790	LABEL,ECHO	1	CS-4310 ECHO	D

Class : Consumable class

A:Fast moving parts B:Semi-fast moving parts C:Slow moving parts D:Order only as needed

HANDLE



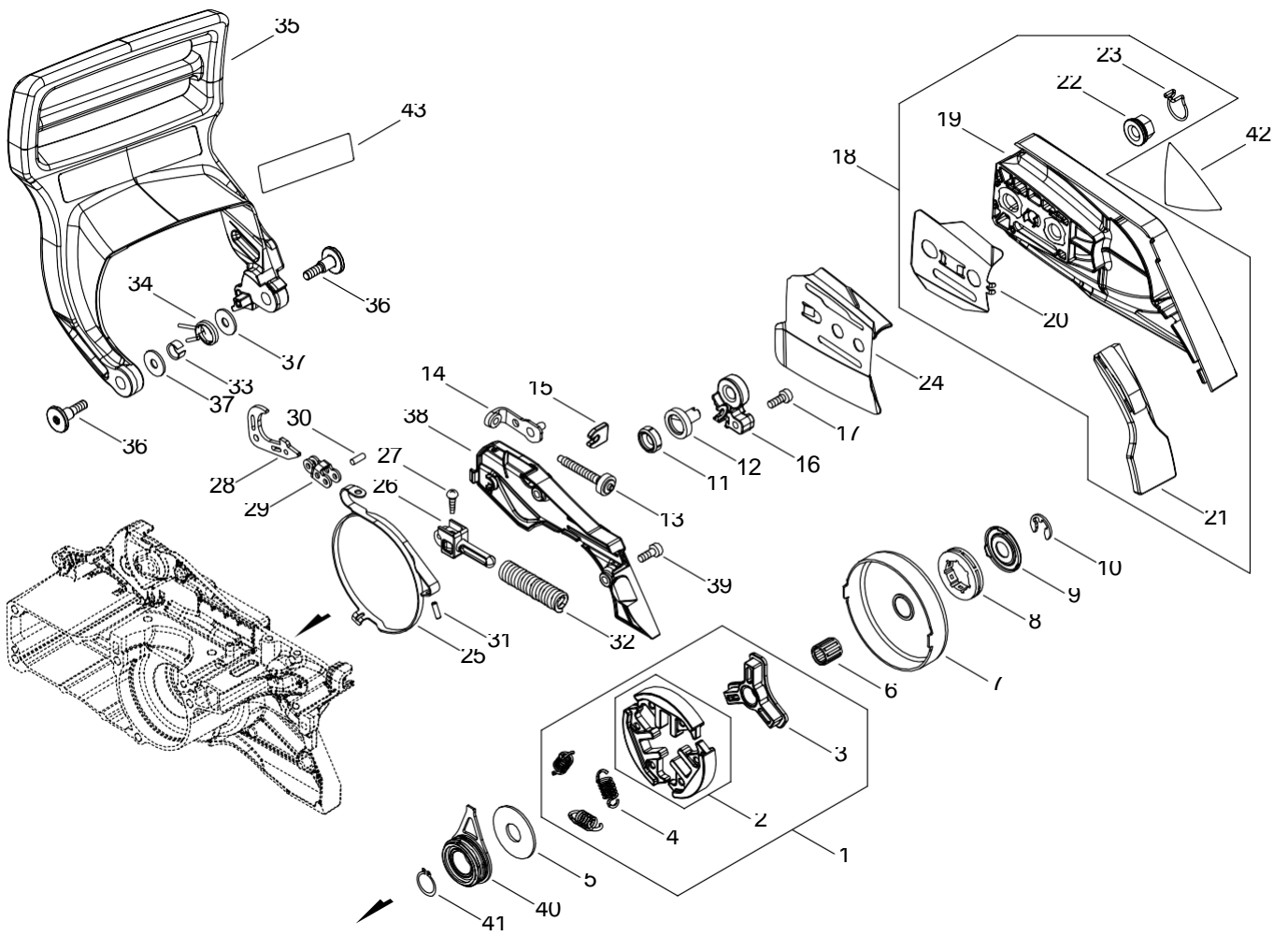
HANDLE

Key No.	LV (+)	Parts Number	Parts Description	Qty	Standard	Class
1		C454-000600	ROD, THROTTLE	1		C
2		A241-000400	KNOB, CHOKE	1		C
3		V130-000180	GROMMET,CHOKE	1		C
4		V450-002330	SPRING,COMPRESSION	1		B
5		V450-002340	SPRING,COMPRESSION	1		B
6		V450-002350	SPRING,COMPRESSION	1		B
7		V456-000410	HOLDER,SPRING	2		C
8		V456-000420	HOLDER,SPRING	1		C
9		V805-000000	BOLT, TORX 5	2	TT-5*16 DG 10.9	C
10		V805-000000	BOLT, TORX 5	1	TT-5*16 DG 10.9	C
11		V805-000000	BOLT, TORX 5	2	TT-5*16 DG 10.9	C
12		V805-000390	BOLT, TORX 5	1	TB-5*16 10.9	C
13		P100-008540	HANDLE ASY, REAR	1		
14	+	V470-002390	PIPE	1		C
15	+	V490-001230	CLIP	1		C
16	+	131300-56431	VENT ASSEMBLY, FUEL	1		B
17	+	131328-40630	COVER, VENT	1		D
18	+	V471-002381	PIPE	1	3*5*140	C
19	+	V186-000510	JOINT,PIPE	1		C
20	+	V470-001991	PIPE	1	1.8*4*105	C
21	+	V490-000500	CLIP	1		C
22	+	A369-000450	STRAINER, FUEL	1		A
23	+	123181-39130	PUMP, PRIMER	1		A
24	+	V470-002380	PIPE	1		C
25	+	V471-001281	PIPE	1	2.4*5*105	C
26		C450-001101	CONTROL, THROTTLE	1		C
27		V452-000850	SPRING,TORSION	1		B
28		C460-000630	LOCKOUT, THROTTLE	1		C
29		C411-000270	LID,HANDLE	1		C
30		P100-008550	CAP ASY	1		C
31	+	A365-000150	CONNECTOR,CAP	1		B
32	+	900720-20029	O-RING	1	P-29	
33		C400-001720	HANDLE, FRONT	1		C
34		V805-000140	BOLT, TORX 5	3	TB-5*12 10.9	C
35		V203-002470	BOLT,5	1		C

Class : Consumable class

A:Fast moving parts B:Semi-fast moving parts C:Slow moving parts D:Order only as needed

CHAIN BRAKE



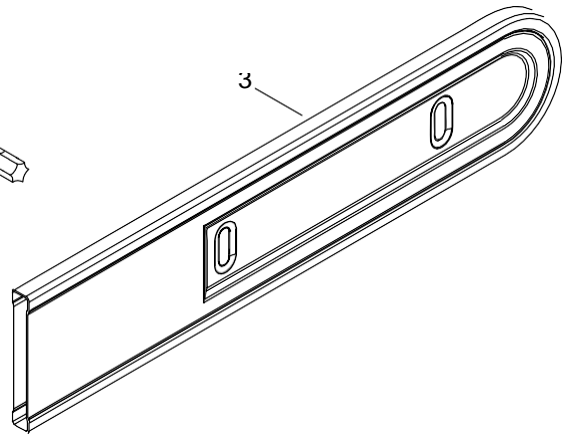
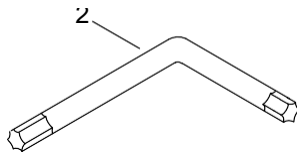
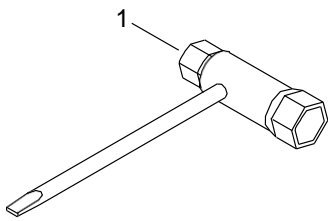
CHAIN BRAKE

Key No.	LV (+)	Parts Number	Parts Description	Qty	Standard	Class
1		A056-000860	CLUTCH ASY	1		B
2	+	P100-008460	CLUTCH SHOE SET	1		
3	+	A552-000490	HUB, CLUTCH	1		B
4	+	A566-000340	SPRING, CLUTCH	3		B
5		A551-000200	PLATE, CLUTCH	1	12*34*T1.6	C
6		V555-000150	BEARING,NEEDLE	1		B
7		A556-001860	DRUM, CLUTCH	1	SML-7	B
8		175114-12530	SPROCKET, RIM .325	1		B
9		V307-000520	WASHER,CIRCULAR 10	1		C
10		V583-000440	RING	1	8.1 T1.2	C
11		V356-000940	COLLAR,10	1		C
12		V652-000271	GEAR,WORM	1		B
13		V203-002460	BOLT,5	1		C
14		C309-000200	TENSIONER, CHAIN	1		C
15		C316-000100	GUIDE, SHAFT	1		D
16		V355-000970	COLLAR,8	1		C
17		V804-000050	BOLT, TORX 4	1	TB-4*12 10.9	C
18		P100-008480	GUARD, SPROCKET ASY	1		
19	+	C300-001180	GUARD, SPROCKET	1		C
20	+	C305-000540	PLATE,SPROCKET GUARD	1	T0.5	C
21	+	C302-000030	PROTECTOR	1		B
22	+	V265-000550	NUT,8	2		C
23	+	C649-000420	HOOK	2		D
24		C305-000530	PLATE,SPROCKET GUARD	1	T0.5	C
25		C328-000380	BAND, BRAKE	1	T1	C
26		C334-000380	CONNECTOR, BRAKE	1	SP,HOLDER	C
27		91381-04010	SCREW, TAPPING	1	4*10	
28		C334-000350	CONNECTOR, BRAKE	1		C
29		C334-000370	CONNECTOR, BRAKE	1		C
30		93050-30098	ROLLER	2	3*9.8	C
31		93050-30098	ROLLER	1	3*9.8	C
32		V450-002360	SPRING,COMPRESSION	1		B
33		V355-000460	COLLAR,8	1		C
34		V452-000860	SPRING,TORSION	1		B
35		P100-008471	BRAKE LEVER ASY	1		C
36		V203-002450	BOLT,5	2	TB5*12	C
37		V303-000290	WASHER	2		C
38		C345-000700	COVER,BRAKE	1		C
39		V804-000050	BOLT, TORX 4	2	TB-4*12 10.9	C
40		V652-000260	GEAR,WORM	1		B
41		900701-00015	RETAINING RING	1	CS-15	
42		X502-001300	LABEL,ECHO	1	ECHO	D
43		X505-010490	LABEL,CAUTION	1	SYMBOL	D

Class : Consumable class

A:Fast moving parts B:Semi-fast moving parts C:Slow moving parts D:Order only as needed

ACCESSORIES













ACCESSORIES

Key No.	LV (+)	Parts Number	Parts Description	Qty	Standard	Class
1		X602-000160	PLUG WRENCH	1		D
2		X605-000190	TOOL,L WRENCH	1	T27 120*80	D
3		X490-000570	SCABBARD,CHAIN	1		D

Class : Consumable class

A:Fast moving parts B:Semi-fast moving parts C:Slow moving parts D:Order only as needed

GUIDE BAR, CHAIN

Pitch ピッチ (inch) (mm)	Gauge ゲージ (inch) (mm)	Length 長さ (cm)	Guide Bar ガイドバー		Saw Chain ソーチェーン		Hard Nose ハード ノーズ 	Sprocket Nose スプロケット ノーズ 
			Key №	Type 形式	Key №	Type 形式		
.325 8.26	0.050 1.27	33	A1	Y33R20-56ML- ED	A2	95TXL-56E		
.325 8.26	0.050 1.27	35	B1	Y35R20-60ML- ED	B2	95TXL-60E		
.325 8.26	0.050 1.27	40	C1	Y40R20-68ML- ED	C2	95TXL-68E		
.325 8.26	0.050 1.27	45	D1	Y45R20-72AL- ED	D2	95TXL-72E		

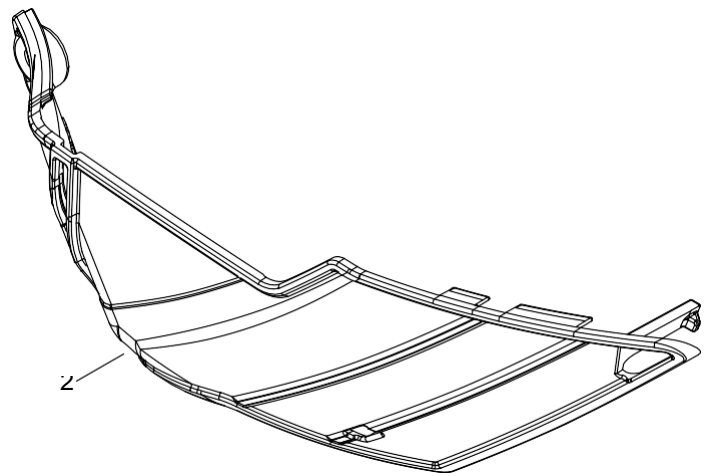
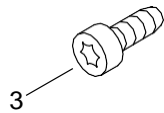
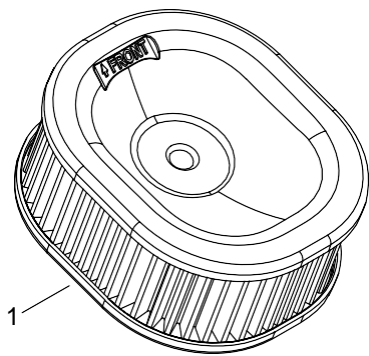
GUIDE BAR, CHAIN

Key No.	LV (+)	Parts Number	Parts Description	Qty	Standard	Class
A1		X122-000470	BAR,GUIDE 30	1	Y33R20-56ML- ED	A
A2		X242-000010	CHAIN,SAW	1	95TXL-56E	A
B1		X123-000730	BAR,GUIDE 35	1	Y35R20-60ML- ED	A
B2		X243-000010	CHAIN,SAW	1	95TXL-60E	A
C1		X124-000770	BAR,GUIDE 40	1	Y40R20-68ML- ED	A
C2		X244-000110	CHAIN,SAW	1	95TXL-68E	A
D1		X125-000490	BAR,GUIDE 45	1	Y45R20-72AL- ED	A
D2		X245-000060	CHAIN,SAW	1	95TXL-72E	A

Class : Consumable class

A:Fast moving parts B:Semi-fast moving parts C:Slow moving parts D:Order only as needed

OPTION PARTS



OPTION PARTS

Key No.	LV (+)	Parts Number	Parts Description	Qty	Standard	Class
1		A226-002320	ELEMENT, AIR FILTER	1	250	A
2		C418-000160	SHIELD, SNOW	1		C
3		V804-000000	BOLT, TORX 4	1	TT-4*12 DG 10.9	C

Class : Consumable class

A:Fast moving parts B:Semi-fast moving parts C:Slow moving parts D:Order only as needed

NUMERICAL PARTS INDEX

Part No	Part description	Page	Part No	Part description	Page	Part No	Part description	Page
100013-39730	PIN, PISTON	2	A172-003610	COVER,FAN	14	C460-000630	LOCKOUT, THROTTLE	16
100014-02260	WASHER	2	A200-001240	INSULATOR, INTAKE	8	C649-000420	HOOK	18
123110-16130	SCREW, PUMP COVER	10	A200-001250	INSULATOR, INTAKE	8	P003-002380	SCREW	10
123112-12330	DIAPHRAGM, FUEL PUMP	10	A202-000340	BELLOWS, INTAKE	8	P003-002910	SPACER	10
123114-38830	SCREW	10	A202-000350	BELLOWS, INTAKE	8	P003-003650	IDEL SCREW	10
123122-39830	SPRING, METER. LEVER	10	A204-000270	ELBOW, CARBURETOR	8	P003-004460	NEEDLE	10
123123-16130	LEVER, METERING	10	A219-000080	SHUTTER, AIR	4	P003-006320	COVER, FUEL PUMP	10
123125-12330	GASKET, FUEL PUMP	10	A226-002320	ELEMENT, AIR FILTER	24	P003-006330	DIAPHRAGM, METERING	10
123126-10631	SCREEN, INLET	10	A226-002330	ELEMENT, AIR FILTER	8	P003-006340	COVER, M. DIAPHRAGM	10
123130-02960	SCREW	10	A235-000490	KNOB,CLEANER LID	8	P003-006350	SHAFT ASY,THROTTLE	10
123133-04260	SPRING, IDLE ADJUST	10	A241-000400	KNOB, CHOKE	16	P003-006360	THROTTLE, LEVER	10
123137-19830	VALVE, INLET NEEDLE	10	A301-000090	PLATE, MUFFLER	12	P003-006370	VALVE	10
123138-03930	PIN, METERING LEVER	10	A356-000130	VALVE,CHECK	4	P003-006380	SPRING	10
123139-03930	SCREW, M. LEVER PIN	10	A365-000150	CONNECTOR,CAP	4	P003-006390	VALVE	10
123140-16130	GASKET, M. DIAPHRAGM	10	A365-000150	CONNECTOR,CAP	16	P003-006400	SPRING	10
123146-10631	PLUG, WELCH	10	A369-000450	STRAINER, FUEL	16	P003-006410	SCREW	10
123149-26030	WASHER	10	A409-001390	ROTOR, MAGNETO	6	P003-006420	SHAFT-CHOKE(MOLD)	10
123181-39130	PUMP, PRIMER	16	A425-000060	SPARKPLUG	6	P003-006430	LEVER-FAST IDLE	10
131300-56431	VENT ASSEMBLY, FUEL	16	A427-000190	CAP,SPARK PLUG	6	P003-006520	NEEDLE	10
131328-40630	COVER, VENT	16	A514-000220	PAWL	6	P022-036780	GRIP, STARTER	14
132115-01462	GROMMET	8	A551-000200	PLATE, CLUTCH	18	P022-046540	SPRING, SPIRAL	14
175114-12530	SPROCKET, RIM .325	18	A552-000490	HUB, CLUTCH	18	P022-054810	CASE,STARTER ASY	14
177236-61830	SCREW	14	A556-001860	DRUM, CLUTCH	18	P022-054830	GUIDE ROPE	14
433011-19831	STUD, GUIDE BAR	4	A566-000340	SPRING, CLUTCH	18	P022-054840	DRUM	14
436205-14730	STRAINER, OIL	2	C022-000121	AUTO-OILER ASSEMBLY	2	P022-054850	SPRING, SPIRAL	14
437216-32631	PIPE 3* 6*125	8	C022-000221	AUTO-OILER ASSEMBLY	2	P022-054860	SPRING,DAMPER	14
900515-00008	NUT, FLANGE	6	C300-001180	GUARD, SPROCKET	18	P022-054870	PLATE, CAM	14
900602-00004	WASHER	12	C302-000030	PROTECTOR	18	P022-054890	SPACE, PIPE	14
900701-00015	RETAINING RING	18	C304-000140	SPIKE	4	P022-054900	ROPE	14
900720-20029	O-RING	4	C305-000530	PLATE,SPROCKET GUARD	18	P100-008310	CYLINDER ASY	2
900720-20029	O-RING	16	C305-000540	PLATE,SPROCKET GUARD	18	P100-008320	PISTON KIT	2
900724-00022	O-RING	8	C309-000200	TENSIONER, CHAIN	18	P100-008410	CAP,OIL ASY	4
91381-04010	SCREW, TAPPING	18	C310-000110	CATCHER, CHAIN	4	P100-008430	MUFFLER ASY	12
93050-30098	ROLLER	18	C316-000100	GUIDE, SHAFT	18	P100-008460	CLUTCH SHOE SET	18
93115-03010	KEY, WOODRUFF	6	C328-000380	BAND, BRAKE	18	P100-008471	BRAKE LEVER ASY	18
94035-36201	BEARING, BALL	4	C334-000350	CONNECTOR, BRAKE	18	P100-008480	GUARD, SPROCKET ASY	18
A021-005350	CARBURETOR, DIAPHRAGM	8	C334-000370	CONNECTOR, BRAKE	18	P100-008501	CYLINDER COVER ASY	4
A021-005350	CARBURETOR, DIAPHRAGM	10	C334-000380	CONNECTOR, BRAKE	18	P100-008520	CLEANER COVER ASY	8
A051-003480	STARTER,RECOIL ASY	14	C345-000700	COVER,BRAKE	18	P100-008540	HANDLE ASY, REAR	16
A051-003481	STARTER,RECOIL ASY	14	C400-001720	HANDLE, FRONT	16	P100-008550	CAP ASY	16
A056-000860	CLUTCH ASY	18	C411-000270	LID,HANDLE	16	P100-011170	SWITCH, ON OFF	4
A101-000800	RING, PISTON	2	C418-000160	SHIELD, SNOW	24	P100-011190	CRANKCASE SET	4
A127-000570	COVER,DUST	8	C450-001101	CONTROL, THROTTLE	16	P200-001650	COIL, IGNITION ASY	6
A161-000410	DUCT, AIR	14	C454-000600	ROD, THROTTLE	16	V100-000890	GASKET,CYL	2
						V102-000340	GASKET,CRANKCASE	4

NUMERICAL PARTS INDEX

Part No	Part description	Page	Part No	Part description	Page
V104-002500	GASKET,EXHAUST	12	V580-000110	SNAP RING	2
V130-000180	GROMMET,CHOKE	16	V583-000440	RING	18
V186-000510	JOINT,PIPE	16	V592-000290	BEARING, BALL	4
V202-000780	BOLT,4	4	V629-000000	ROLLER	4
V202-000780	BOLT,4	8	V652-000260	GEAR,WORM	18
V202-000780	BOLT,4	14	V652-000271	GEAR,WORM	18
V202-000790	BOLT,4	8	V804-000000	BOLT, TORX 4	24
V203-002250	BOLT,5	6	V804-000050	BOLT, TORX 4	2
V203-002450	BOLT,5	18	V804-000050	BOLT, TORX 4	8
V203-002460	BOLT,5	18	V804-000050	BOLT, TORX 4	18
V203-002470	BOLT,5	16	V804-000100	BOLT, TORX 4	4
V203-002480	BOLT,5	4	V804-000100	BOLT, TORX 4	6
V265-000550	NUT,8	18	V804-000100	BOLT, TORX 4	8
V266-000260	NUT,10	4	V804-000140	BOLT, TORX 4	12
V303-000290	WASHER	18	V805-000000	BOLT, TORX 5	16
V307-000520	WASHER,CIRCULAR 10	18	V805-000140	BOLT, TORX 5	16
V355-000460	COLLAR,8	18	V805-000180	BOLT, TORX 5	4
V355-000970	COLLAR,8	18	V805-000210	BOLT, TORX 5	2
V356-000940	COLLAR,10	18	V805-000250	BOLT, TORX 5	4
V376-001400	SPACER	14	V805-000250	BOLT, TORX 5	12
V420-005550	CUSHION	4	V805-000300	BOLT, TORX 5	4
V450-001170	SPRING,COMPRESSION	14	V805-000390	BOLT, TORX 5	16
V450-002330	SPRING,COMPRESSION	16	X122-000470	BAR,GUIDE 30	22
V450-002340	SPRING,COMPRESSION	16	X123-000730	BAR,GUIDE 35	22
V450-002350	SPRING,COMPRESSION	16	X124-000770	BAR,GUIDE 40	22
V450-002360	SPRING,COMPRESSION	18	X125-000490	BAR,GUIDE 45	22
V452-000850	SPRING,TORSION	16	X242-000010	CHAIN,SAW	22
V452-000860	SPRING,TORSION	18	X243-000010	CHAIN,SAW	22
V452-000870	SPRING,TORSION	6	X244-000110	CHAIN,SAW	22
V456-000410	HOLDER,SPRING	16	X245-000060	CHAIN,SAW	22
V456-000420	HOLDER,SPRING	16	X490-000570	SCABBARD,CHAIN	20
V470-001991	PIPE	16	X502-000390	LABEL,ECHO	4
V470-002370	PIPE	2	X502-001300	LABEL,ECHO	18
V470-002380	PIPE	16	X503-016040	LABEL,MODEL	8
V470-002390	PIPE	16	X505-010490	LABEL,CAUTION	18
V471-001281	PIPE	16	X510-001310	LABEL,SWITCH	4
V471-002381	PIPE	16	X547-003790	LABEL,ECHO	14
V485-003410	LEAD	4	X602-000160	PLUG WRENCH	20
V490-000500	CLIP	16	X605-000190	TOOL,L WRENCH	20
V490-001230	CLIP	16			
V494-001250	CAP	4			
V505-000070	OIL SEAL	4			
V508-000070	OIL SEAL	4			
V555-000140	BEARING,NEEDLE	2			
V555-000150	BEARING,NEEDLE	18			