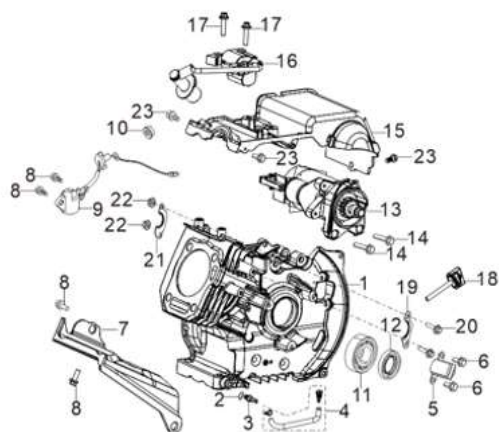


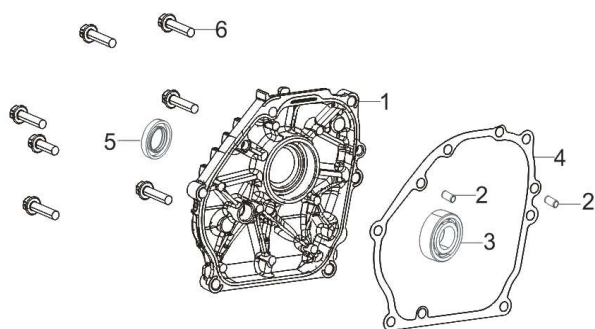
R3000IE-R变频发电机图册

FIG.1 CRANKCASE./COVER SUBASSEMBLY, CRANKCASE 曲轴箱体部件/曲轴箱盖部件(E01)



REF.NO. 序号	PART NO 物料代码	CHINESE 中文名	DESCRIPTION 英文名	Q'TY 数量
E01-1	11310-Z1D0110-00A9	曲轴箱体组合	CRANKCASE SUBASSEMBLY.	1
E01-2	90408-Z010510-00A0	平垫圈	FLAT WASHER	1
E01-3	90689-Z430211-00A0	油管接头	JOINT, FUEL TUBE	1
E01-4	11011HZ1D0210-L4A0	放油管	TUBE, OIL DRAIN	1
E01-5	30130-Z1D0110-00A0	触发器组合	TRIGGER ASSY.	1
E01-6	90001-0516-01A0	六角法兰面螺栓	BOLT	2
E01-7	19309-Z1D0110-00A0	箱体右侧护罩	BODY RIGHT SHIELD	1
E01-8	90001-0616-01A0	六角法兰面螺栓	BOLT	3
E01-9	37060-Z010120-00A0	机油传感器	SENSOR, ENGINE OIL	1
E01-10	90305-Z010210-01A0	六角法兰面螺母	HEXAGON NUT WITH FLANGE	1
E01-11	90548-0305-CL	深沟球轴承	DEEP GROOVE BALL BEARING	1
E01-12	90682-Z300110-00A0	油封	SEAL, OIL	1
E01-13	30300-Z1D0410-00A0	起动机部件	STARTING MOTOR ASSEMBLY	1
E01-14	90001-0628-01A0	六角法兰面螺栓	BOLT	2
E01-15	16675-Z1D0112-00A0	防护罩盖	SHIELD COVER	1
E01-16	30400-Z1D0111-00A1	点火线圈	COIL, IGNITION	1
E01-17	90001-0628-01A0	六角法兰面螺栓	BOLT	2
E01-18	15010-Z010130-Q5A0	机油尺组合	DIPSTICK SUBASSEMBLY, OIL	1
E01-19	30002-Z1D0110-00A0	磁电机压线板	CLAMP, MAGNETO WIRING	1
E01-20	90001-0520-01A0	六角法兰面螺栓	BOLT	2
E01-21	54066-YE50110-09A0	压线板	TENSION DISC	1
E01-22	90305-0500-31A0	六角法兰面螺母	HEXAGON NUT WITH FLANGE	2
E01-23	90001-0612-01A0	六角法兰面螺栓	BOLT	3

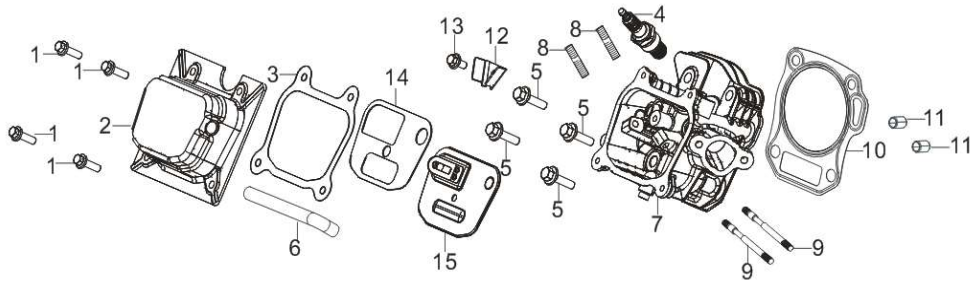
FIG.2 COVER SUBASSEMBLY, CRANKCASE 曲轴箱盖部件(E02)



REF.NO. 序号	PART NO 物料代码	CHINESE 中文名	DESCRIPTION 英文名	Q'TY 数量
E02-1	11411-Z1D0110-00A0	曲轴箱盖	COVER, CRANKCASE	1
E02-2	90502-0812-00A0	定位销	POSITION PIN	2
E02-3	90548-0205-CLA0	深沟球轴承	DEEP GROOVE BALL BEARING	1

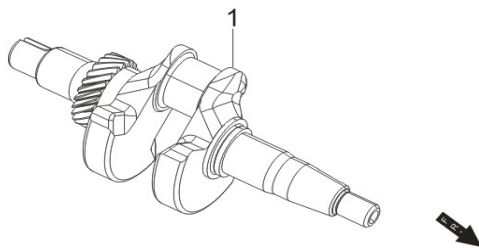
E02-4	11001-Z010120-00A0	曲轴箱密封垫	GASKET, CRANKCASE	1
E02-5	90682-Z300110-00A0	油封	SEAL, OIL	1
E02-6	90001-0832-01A0	六角法兰面螺栓	BOLT	6

FIG.3 HEAD SUBASSEMBLY, CYLINDER / PLUG, SPARK 气缸头部件/火花塞 (E03)



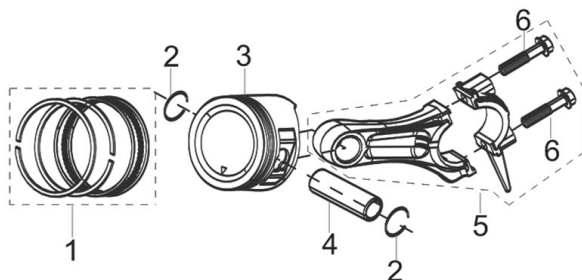
REF.NO. 序号	PART NO 物料代码	CHINESE 中文名	DESCRIPTION 英文名	Q'TY 数量
E03-1	90001-0612-01A0	六角法兰面螺栓	BOLT	4
E03-2	12410-Z1D0111-00A0	气缸头盖组合	COVER SUBASSEMBLY, CYLINDER HEAD	1
E03-3	12004-Z1D0110-00A0	气缸头盖密封垫	CYLINDER HEAD COVER GASKET	1
E03-4	30010-Z010110-00A0	火花塞	PLUG, SPARK	1
E03-5	12003-Z010110-00A0	气缸头螺栓	CYLINDER HEAD BOLT	4
E03-6	17004-Z1D0110-00A0	废气管	TUBE, BREATHER	1
E03-7	12140-Z4A0210-0BA0	气缸头组合	HEAD SUBASSEMBLY, CYLINDER	1
E03-8	90203-Z010110-00A0	双头螺柱	STUD BOLT	2
E03-9	90207-Z330210-00A0	双头螺柱	STUD BOLT	2
E03-10	12131-Z950210-00A0	气缸头密封垫	GASKET, CYLINDER HEAD	1
E03-11	90502-1114-00A0	定位销	POSITION PIN	2
E03-12	12419-Z950311-00A0	缸头盖销子限位板	CYLINDER HEAD COVER PIN LIMIT PLATE	1
E03-13	90001-0612-01A0	六角法兰面螺栓	BOLT	1
E03-14	11332-Z1D0110-00A0	呼吸槽密封垫	GASKET, BREATH GROOVE	1
E03-15	11320-Z1D0110-00A0	呼吸片组合	STOP ENGINE PIECE SUBASSEMBLY	1

FIG.4 RING SET,OIL / ROD,CRANKSHAFT CONNETING 油环组合/曲柄连杆组件(E04)



REF.NO. 序号	PART NO 物料代码	CHINESE 中文名	DESCRIPTION 英文名	Q'TY 数量
E04-1	13300-Z1D0110-00A1	曲轴部件	CRANKSHAFT ASSY.	1

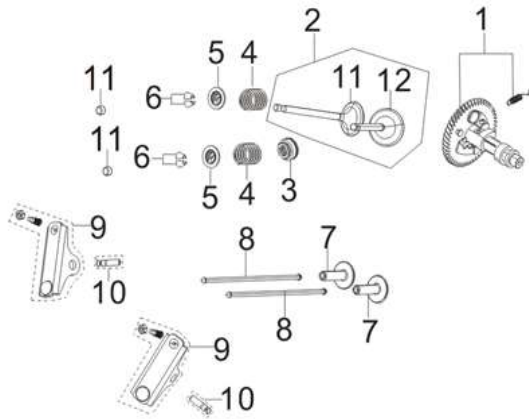
FIG.5 RING SET,OIL / ROD,CRANKSHAFT CONNETING 油环组合/曲柄连杆组件 (E05)



REF.NO. 序号	PART NO 物料代码	CHINESE 中文名	DESCRIPTION 英文名	Q'TY 数量

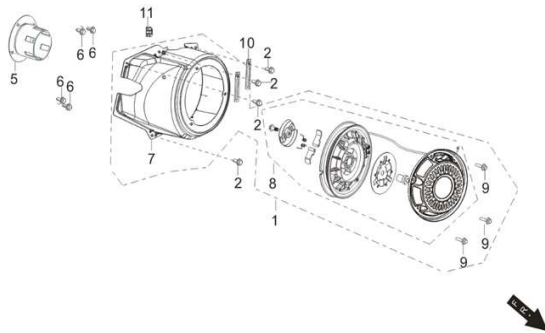
E05-1	13200-Z140210-00A9	活塞环部件	RING ASSY, PISTON	1
E05-2	13122-Z010110-00A0	活塞销卡圈	CLIP, PISTON PIN	2
E05-3	13111-Z950120-00A0	活塞	PISTON	1
E05-4	13121-Z010110-00A0	活塞销	PIN, PISTON	1
E05-5	13010-Z950110-00A0	连杆	ROD, CONNECTING	1

FIG.6 TRAIN,VALVE / CAMSHAFT SUBASSEMBLY 配气机构组件/凸轮轴 (E06)



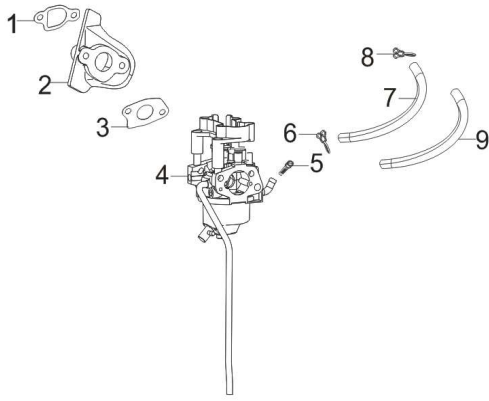
REF.NO. 序号	PART NO 物料代码	CHINESE 中文名	DESCRIPTION 英文名	Q'TY 数量
E06-1	14200-Z1D0110-00A9	凸轮轴部件	CAMSHAFT ASSY.	1
E06-2	12110-Z4A0110-00A0	气门组件	VALVES SET	1
E06-3	12101-Z1F0110-0000	挡油罩	GUIDE, SEAL	1
E06-4	12103-Z030110-00A0	气门弹簧	SPRING, VALVE	2
E06-5	12112-Z810210-00A0	气门弹簧座	SEAT, VALVE SPRING	2
E06-6	12109-Z810110-00A0	气门锁夹	CLAMP, VALVE LOCK	4
E06-7	14081-Z040110-00A0	气门挺柱	TAPPET, VALVE	2
E06-8	14071-Z950110-00A0	气门挺杆	LIFTER, VALVE	2
E06-9	14310-Z950110-00A0	气门摇臂组合	ROCKER SUBASSEMBLY, VALVE	2
E06-10	14318-Z950211-00A0	摇臂轴组合	SHAFT SUBASSEMBLY, ROCKER	2
E06-11	12104-Z4A0110-00A0	气门调整帽	ROTATOR, VALVE	2

FIG.6 STARTER,RECOIL 手起动组件 (E07)



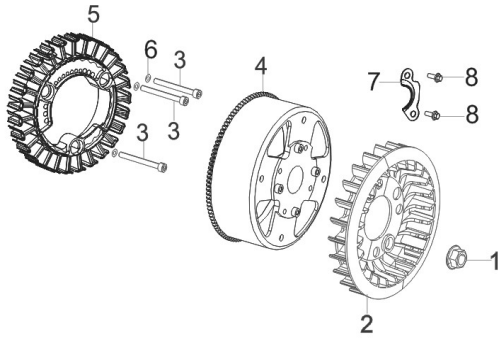
REF.NO. 序号	PART NO 物料代码	CHINESE 中文名	DESCRIPTION 英文名	Q'TY 数量
E07-1	28100-Z1D0510H6H6B	手起动组件	MANUAL STARTING ASSEMBLY	1
E07-2	90001-0612-01A0	六角法兰面螺栓	BOLT	4
E07-5	28002-Z1D0210-00A0	起动杯	PULLEY,STARTER	1
E07-6	90001-0614-01A0	六角法兰面螺栓	BOLT	4
E07-7	28110-Z1D0110-H600	导风罩	SHROUD	1
E07-8	28200-Z1D0110-H600	手起动部件	STARTER ASSY, RECOIL	1
E07-10	90684-Z030120-00A0	线夹	WIRE CLIP	2

FIG.7 CARBURETOR ASSY. 化油器部件 (E09)



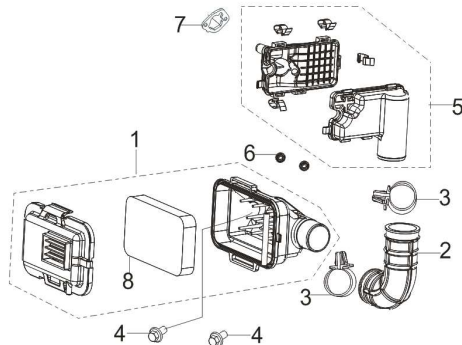
REF.NO. 序号	PART NO 物料代码	CHINESE 中文名	DESCRIPTION 英文名	Q'TY 数量
E09-1	16002-Z950110-00A0	化油器隔热垫	GASKET, CARBURETOR INSULATOR	1
E09-2	16003-Z1D0110-00A0	化油器隔热板	PLATE, CARBURETOR INSULATOR	1
E09-3	16001-Z010110-00A0	化油器密封垫	CARBURETOR SEAL GASKET	1
E09-4	16100-Z1D0710-00A0	化油器部件	CARBURETOR ASSY.	1
E09-5	16652-Z800110-00A0	燃油滤网	STRAINER, FUEL	1
E09-6	90685-D090-0EA0	管夹	PIPE CLAMP	1
E09-7	90686-YBW0110-00M2	油管	TUBE, FUEL	1
E09-8	90685-Z940310-00A0	管夹	PIPE CLAMP	1
E09-9	30431-Y020110-00A0	橡胶护套	JACKET, RUBBER	1

FIG.10 FLYWHEEL / IMPELLER / STARTER PULLEY / IGNITION COIL 飞轮/叶轮/启动杯/点火线圈 (E10)



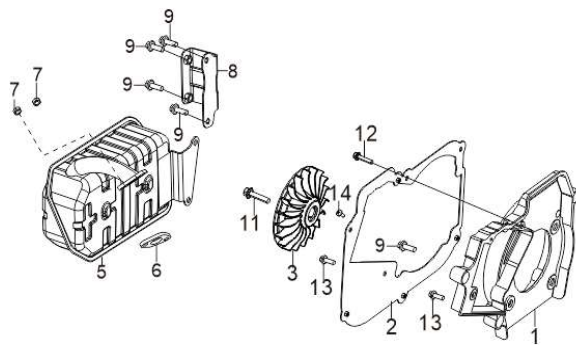
REF.NO. 序号	PART NO 物料代码	CHINESE 中文名	DESCRIPTION 英文名	Q'TY 数量
E10-1	13501-Z010110-00A0	飞轮螺母	NUT, FLYWHEEL	1
E10-2	19352-Z1D0111-00A0	叶轮	IMPELLER	1
E10-3	90102-0660-06A0	内六角圆柱头螺钉	HEXAGON SOCKET HEAD CAP SCREW	3
E10-4	30110-YBW0210-00A0	磁电机转子壳体组合	CASE SUBASSEMBLY, MAGNETO ROTOR	1
E10-5	30120-YE20110-00A0	磁电机定子组合	STATOR SUBASSEMBLY, MAGNETO	1
E10-6	90408-0600-E1A0	平垫圈	FLAT WASHER	3
E10-7	30002-Z1D0110-00A0	磁电机压线板	CLAMP, MAGNETO WIRING	1
E10-8	90001-0516-01A0	六角法兰面螺栓	BOLT	2

FIG.8 CLEANER, AIR 空滤器 (F01)



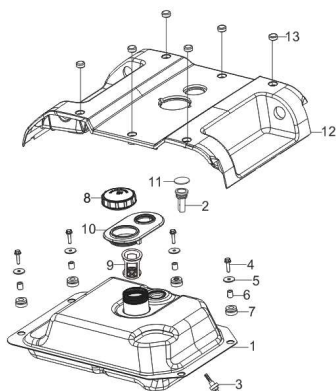
REF.NO. 序号	PART NO 物料代码	CHINESE 中文名	DESCRIPTION 英文名	Q'TY 数量
F01-1	17100-Z1D0112-00A1	空滤器	AIR CLEANER	1
F01-2	12510-Z1D0110-00A1	进气管	TUBE, INTAKE	1
F01-3	12081-Z1D0110-00A0	进气管抱箍	INTAKE PIPE HOOP	2
F01-4	90001-0625-03A0	六角法兰面螺栓	BOLT	2
F01-5	17400-Z1D0112-00A0	二级空滤器		1
F01-6	90305-0600-31A0	六角法兰面螺母	HEXAGON NUT WITH FLANGE	2
F01-7	17001-Z1D0110-00A0	空滤器密封垫	AIR CLEANER SEAL GASKET	1

FIG.9 MUFFLER ASSY. 消声器部件 (F02)



REF.NO. 序号	PART NO 物料代码	CHINESE 中文名	DESCRIPTION 英文名	Q'TY 数量
F02-1	28110HYBW0111-Q2A0	导风罩	SHROUD	1
F02-2	18299HYBW0210-00A0	消声器外罩安装支架	MUFFLER OUTER COVER MOUNTING BRACKET	1
F02-3	19352HYBW0110-Q2A0	叶轮	IMPELLER	1
F02-5	18100-YBW0111-00A0	消声器部件	MUFFLER ASSY.	1
F02-6	18001-Z950110-00A0	排气口密封垫	GASKET, EXHAUST OUTLET	1
F02-7	90303-0800-31A0	1型六角螺母	TYPE 1 HEXAGON NUT	2
F02-8	18030HYBW0110-H7A0	消声器支架	BRACKET,MUFFLER	1
F02-9	90001-0816-01A0	六角法兰面螺栓	BOLT	5
F02-11	90001-0820-01A0	六角法兰面螺栓	BOLT	1
F02-12	90007-0635-A1A0	六角法兰面螺栓	BOLT	1
F02-13	90007-0612-A1A0	六角法兰面螺栓	BOLT	3
F02-14	90124-Y9T0310-00A0	自攻螺钉	SELF-TAPPING SCREW	1

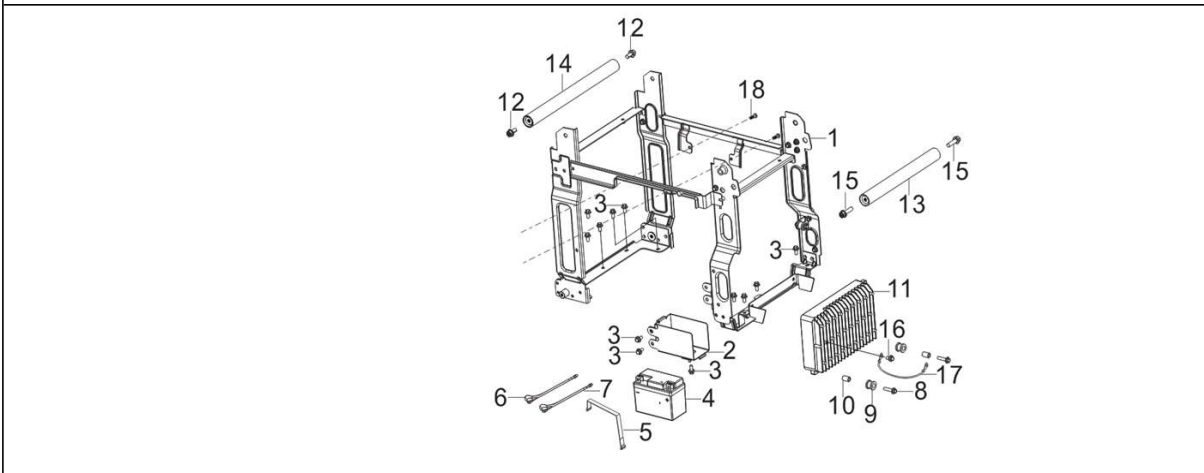
FIG.10 TANK ASSY, FUEL 油箱部件 (F03)



REF.NO. 序号	PART NO 物料代码	CHINESE 中文名	DESCRIPTION 英文名	Q'TY 数量
E03-1	16620-YBS0110-H7AP	油箱	FUEL TANK	1
E03-2	37200-Y5V0110-00A0	油标部件	LEVELER ASSY, OIL	1
E03-3	16680-Y2P0110-00A0	出油嘴组合	OUTLET SUBASSEMBLY, FUEL TANK OIL	1
E03-4	90001-0620-01A0	六角法兰面螺栓	BOLT	4
E03-5	90408-Y020310-00A0	平垫圈-A级	FLAT WASHER - GRADE A	4
E03-6	90683-Y020110-00A0	衬套	BUSH	4

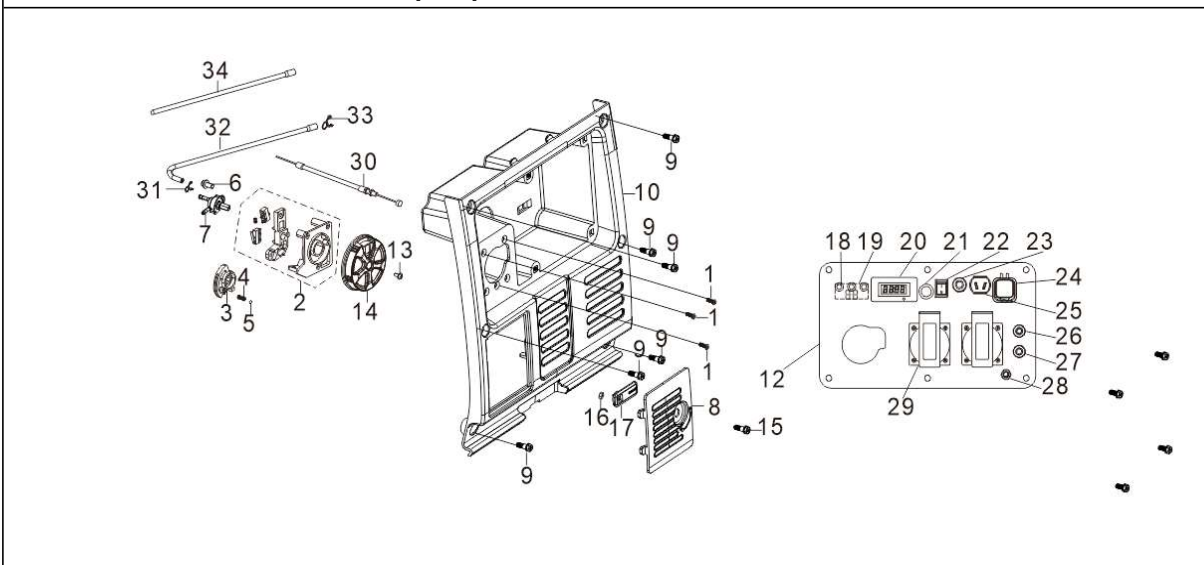
E03-7	16601-Y020120-00A0	油箱支撑胶套	SLEEVE, FUEL TANK RUBBER	4
E03-8	16730-YBR0210-Q2A0	油箱盖	COVER, FUEL TANK	1
E03-9	16652-Y9T0110-00A0	燃油滤网	STRAINER, FUEL	1
E03-10	16641-YBW0110-00A0	注油口胶套	SLEEVE, FILLING OIL HOLE RUBBER	1
E03-11	37205-Y2V0310-00A0	油标玻璃窗	OPENING, OIL LEVERLER VIEW	1
E03-12	94230HYBW0110-Q2A0	上盖	COVER, UPPER	1
E03-13	90722-YBW0110-00A0	堵头	PLUG, END	1

FIG.12 FRAME 机架组件 (F04)



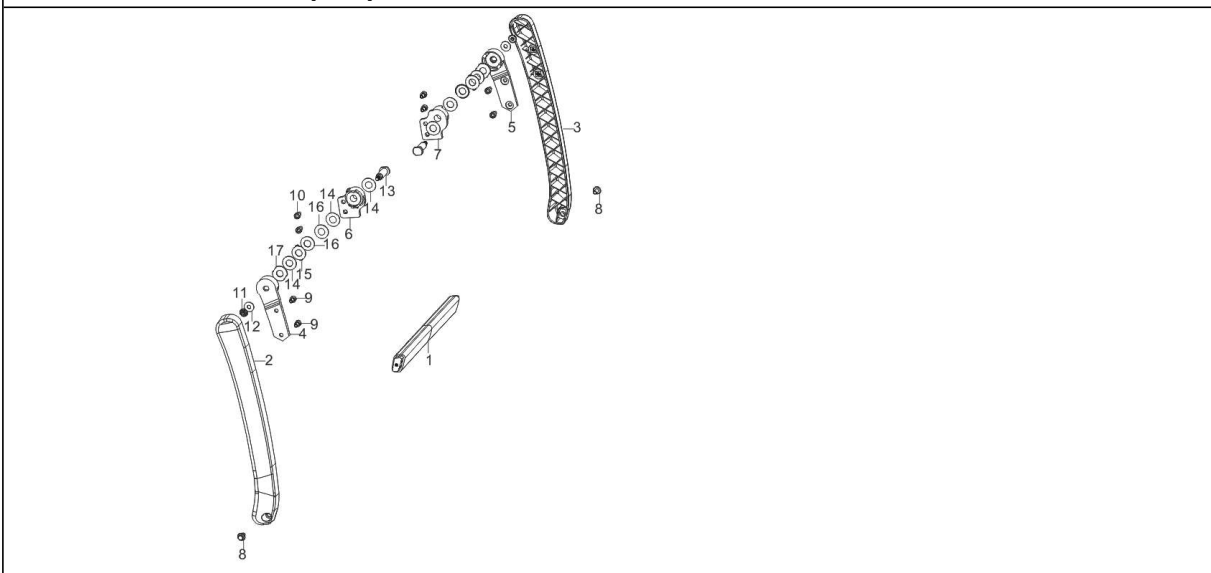
REF.NO. 序号	PART NO 物料代码	CHINESE 中文名	DESCRIPTION 英文名	Q'TY 数量
F04-1	51100-YBW0320-H7A0	机架部件	FRAME ASSY, ENGINE	1
F04-2	31130-YBW0210-H6A0	蓄电池盒	CASE, BATTERY	1
F04-3	90001-0612-01A0	六角法兰面螺栓	BOLT	12
F04-4	31110-Y030610-00A0	蓄电池	BATTERY	1
F04-5	31115-YBW0110-00A0	蓄电池箍带	BAND, BATTERY	1
F04-6	31112HY1N0210-00A0	正极线	WIRE, ANODE	1
F04-7	31114HY5R0110-00A0	负极线	WIRE, CATHODE	1
F04-8	90001-0625-01A0	六角法兰面螺栓	BOLT	3
F04-9	90683-Y2P0210-00A0	衬套	BUSH	3
F04-10	30431-Y2P0110-00A0	橡胶护套	JACKET, RUBBER	3
F04-11	30043-YG80210-00A0	逆变器	INVERTOR	1
F04-12	90115-0830-03A0	内六角平圆头螺钉	HEXAGON SOCKET BUTTON HEAD SCREW	2
F04-13	80153HYBW0110-H8A0	提手	HANDLE	1
F04-14	80153HYBW0210-H8A0	提手	HANDLE	1
F04-15	90115-0830-03A0	内六角平圆头螺钉	HEXAGON SOCKET BUTTON HEAD SCREW	2
F04-16	90103-0408-51A0	十字槽盘头螺钉	CROSS-RECESSED PAN HEAD SCREW	1
F04-17	30009-YBW0110-00A0	接地线	GROUNDING	1

FIG.16 控制面板组件、面板座 (F05)



REF.NO. 序号	PART NO 物料代码	CHINESE 中文名	DESCRIPTION 英文名	Q'TY 数量
F05-1	90129-0416-01A0	十字槽沉头自攻螺钉	CROSS-RECESSED COUNTERSUNK HEAD TAPPING SCREW	3
F05-2	35160-YBR0111-00A0	开关组合件	SWITCH SUBASSEMBLY	1
F05-3	94111-Y2V0410-00A0	盖板	COVER PLATE	1
F05-4	16527-Y2V0210-00A0	限位调节弹簧	SPRING, STOPPER ADJUSTING	1
F05-5	90543-0500-00A0	钢球	BALL, STEEL	1
F05-6	90001-0614-01A0	六角法兰面螺栓	BOLT	1
F05-7	16750-Y2V0141-00A0	油开关组合	COCK ASSY, FUEL	1
F05-8	31123HYBW0110-Q2A0	蓄电池盖	BATTERY COVER	1
F05-9	90208-YB00410-00A0	六角台阶螺栓	HEXAGONAL STEP BOLT	6
F05-10	35680HYBW0110-Q2A0	面板座	SEAT, PANEL	1
F05-11	90255-0512-53A0	十字槽小盘头螺钉和平垫圈组合件	CROSS-RECESSED SMALL PAN HEAD SCREW, SPRING WASHER AND FLAT WASHER ASSEMBLY	6
F05-12	35610-YG82710-H7A1	控制面板组合	PANEL SUBASSEMBLY, CONTROL	1
F05-13	90103-0416-51A0	十字槽盘头螺钉	CROSS-RECESSED PAN HEAD SCREW	1
F05-14	35643HYBR0110-00A0	旋钮	KNOB	1
F05-15	90208-Y9T0120-00A0	六角台阶螺栓	HEXAGONAL STEP BOLT	1
F05-16	90341-YA50110-00A0	尼龙螺母	NYLON NUT	1
F05-17	24329-YCF0110-Q2A0	挡块	STOPPER	1
F05-18	35620-YAY0110-0000	状态显示板总成	STATUS DISPLAY BOARD ASSEMBLY	1
F05-19	37099-Y2V0210-0000	指示灯安装座	INDICATOR MOUNTING BASE	3
F05-20	35632-YA60210-0000	计时器	TIMER	1
F05-21	35646-YB10210-0000	复位按钮	BUTTON, RESETTING	1
F05-22	35160-Y0G0110-0000	开关组合件	SWITCH SUBASSEMBLY	1
F05-23	31234-Y9H0110-0000	过流保护器	PROTECTOR, OVERCURRENT	1
F05-24	35619-Y9T0110-0000	直流插座组合	SOCKET SUBASSEMBLY, D.C	1
F05-25	35619-Y2V0110-0000	直流插座组合	SOCKET SUBASSEMBLY, D.C	1
F05-26	35614-Y2P0210-0000	电源插座组合	SOCKET SUBASSEMBLY, POWER SUPPLY	1
F05-27	35614-Y2P0310-0000	电源插座组合	SOCKET SUBASSEMBLY, POWER SUPPLY	1
F05-28	35629-Y2V0110-0000	接地端子组合	TERMINAL SUBASSEMBLY, GROUNDING	1
F05-29	35614-Y020110-0000	电源插座组合	SOCKET SUBASSEMBLY, POWER SUPPLY	2
F05-30	16080-YBW0110-00A0	阻风门拉手组合	HANDLE SUBASSEMBLY, CHOKE	1
F05-31	90685-D080-0EA0	管夹	PIPE CLAMP	2
F05-32	90686-YBW0211-00M2	油管	TUBE, FUEL	1
F05-33	90685-D095-0EA0	管夹	PIPE CLAMP	1
F05-34	30431-YBW0210-00A0	橡胶护套	JACKET, RUBBER	1

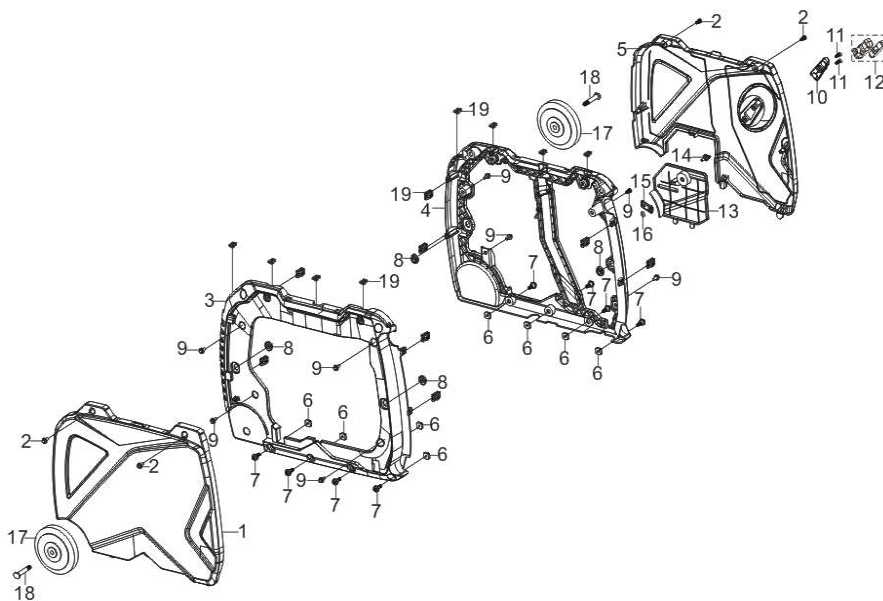
FIG.18 HANDEL 提手(F08)



REF.NO. 序号	PART NO 物料代码	CHINESE 中文名	DESCRIPTION 英文名	Q'TY 数量
F08-1	54913-YG90110-Q2A0	转动梁	ROTATING BEAM	1
F08-2	54912HYBW0111-Q2A0	转动臂	ROTATING ARM	1
F08-3	54912HYBW0211-Q2A0	转动臂	ROTATING ARM	1
F08-4	54122-YBW0111-H7A0	手把管连接座2	HANDLE TUBE CONNECTING SEAT 2	1
F08-5	54122-YBW0211-H7A0	手把管连接座2	HANDLE TUBE CONNECTING SEAT 2	1
F08-6	54113-YBW0121-00A0	手把管连接座	SEAT, HANDLE TUBE CONNECTING	1

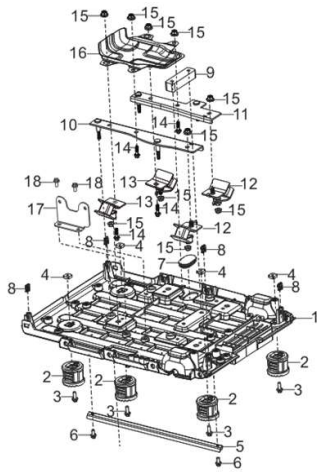
F08-7	54113-YBW0221-00A0	手把管连接座	SEAT, HANDLE TUBE CONNECTING	1
F08-8	90001-0610-01A0	六角法兰面螺栓	BOLT	2
F08-9	90001-0610-03A0	六角法兰面螺栓	BOLT	4
F08-10	90007-0616-A1A0	六角法兰面螺栓	BOLT	4
F08-11	90341-Y2D0210-00A0	尼龙螺母	NYLON NUT	2
F08-12	90408-Y840210-00A0	平垫圈-A级	FLAT WASHER - GRADE A	2
F08-13	26231-YBW0110-00A0	固定轴	STATIONARY SHAFT	2
F08-14	90412-YBW0210-01A0	平垫圈	FLAT WASHER	6
F08-15	42017-YG80110-09A0	锁紧垫片	GASKET, LOCKING	2
F08-16	90419-YBW0110-H7A0	碟形垫圈	DISC WASHER	4
F08-17	90412-YBW0110-Q2A0	平垫圈	FLAT WASHER	2

FIG.13 外壳、装饰板 (F31)



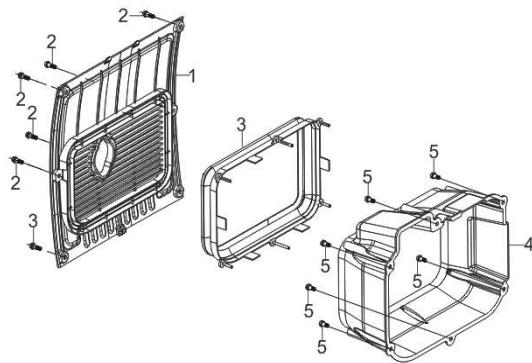
REF.NO. 序号	PART NO 物料代码	CHINESE 中文名	DESCRIPTION 英文名	Q'TY 数量
F31-1	80092HYG80110-S1A0	左外观盖板	LEFT HOUSING COVER PLATE	1
F31-2	90208-YB00210-00A0	六角台阶螺栓	HEXAGONAL STEP BOLT	4
F31-3	80091HYBW0110-Q2A0	左外壳	LEFT HOUSING	1
F31-4	80095HYBW0110-Q2A0	右外壳	RIGHT HOUSING	1
F31-5	80096HYG80110-S1A0	右外观盖板	RIGHT APPEARANCE COVER PLATE	1
F31-6	90326-Y2V0110-00A0	方螺母		8
F31-7	90208-YB00110-00A0	六角台阶螺栓	HEXAGONAL STEP BOLT	8
F31-8	16601-Y2V0210-00A0	油箱支撑胶套	SLEEVE, FUEL TANK RUBBER	4
F31-9	90001-0612-01A0	六角法兰面螺栓	BOLT	8
F31-10	28004-YB00110-Q2A0	起动拉绳导向板组合	GUIDE SUBASSEMBLY, STARTING ROPE	1
F31-11	90255-0512-53A0	十字槽小盘头螺钉和平垫圈组合件	CROSS-RECESSED SMALL PAN HEAD SCREW, SPRING WASHER AND FLAT WASHER ASSEMBLY	2
F31-12	28210-Y2V0110-00A0	起动拉绳手柄	HANDLE, RECOIL STRATER CABLE	1
F31-13	51197HYG80110-S1A0	右维修门	RIGHT ACCESS DOOR	1
F31-14	90208-Y9T0120-00A0	火花塞维修门旋钮	SPARK PLUG ACCESS DOOR KNOB	1
F31-15	24329-YCF0110-Q2A0	挡块	STOPPER	1
F31-17	44110-Y2P0110-0000	前轮	WHEEL, FRONT	2
F31-18	42002-YBW0110-00A0	后轮轴	SHAFT, REAR WHEEL	2
F31-19	17199-YE50210-01A0	夹片螺母	CLIP NUT	16

FIG.14 底板、逆变器 (F32)



REF.NO. 序号	PART NO 物料代码	CHINESE 中文名	DESCRIPTION 英文名	Q'TY 数量
F32-1	51143HYBW0111-Q2A0	底板	PLATE, BOTTOM	1
F32-2	51014HYBW0110-00A0	机架减震座	SEAT, ENGINE FRAME SHOCK ABSORPTION	4
F32-3	90001-0616-01A0	六角法兰面螺栓	BOLT	4
F32-4	90326-Y2V0110-00A0	方螺母		4
F32-5	51103-YBW0110-H7A0	底板加强板	BOTTOM PLATE REINFORCEMENT PLATE	1
F32-6	90001-0612-01A0	六角法兰面螺栓	BOLT	2
F32-7	90722-Y2P0110-00A0	堵头	PLUG, END	1
F32-8	17199-YE50210-01A0	夹片螺母	CLIP NUT	4
F32-9	50035-YBW0110-00A0	缓冲胶垫支撑	BUFFERING PAD SUPPORT	1
F32-10	51188HYBW0110-H6A0	动力左支撑	DYNAMIC LEFT SUPPORT	1
F32-11	51189HYBW0110-H6A0	动力右支撑	DYNAMIC RIGHT SUPPORT	1
F32-12	51009HY2P0110-00A0	机架左减震垫	CUSHION, ENGINE FRAME LEFT	2
F32-13	51011HY2P0210-00A0	机架右减震垫	CUSHION, ENGINE FRAME RIGHT	2
F32-14	90001-0840-01A0	六角法兰面螺栓	BOLT	4
F32-15	90305-0800-31A0	六角法兰面螺母	HEXAGON NUT WITH FLANGE	10
F32-16	19306-Z1D0110-00A0	箱体导风板	DEFLECTOR, CRANKCASE AIR	1
F32-17	17003HYBW0110-H7A0	空滤器支架	SUPPORT, ATR CLEANER	1
F32-18	90001-0612-01A0	六角法兰面螺栓	BOLT	2

FIG.15 消声器边罩 (F33)



REF.NO. 序号	PART NO 物料代码	CHINESE 中文名	DESCRIPTION 英文名	Q'TY 数量
F33-1	18002HYBW0110-Q2A0	消声器边罩	COVER, MUFFLER SIDE	1
F33-2	90208-YB00410-00A0	六角台阶螺栓	HEXAGONAL STEP BOLT	6
F33-3	18018-Y2P0120-00A0	消声器隔热胶垫	MUFFLER INSULATOR RUBBER 2	1
F33-4	18130HYBW0110-Q2A0	消声器外罩	MUFFLER OUTER COVER	1
F33-5	90208-YB00210-00A0	六角台阶螺栓	HEXAGONAL STEP BOLT	6

