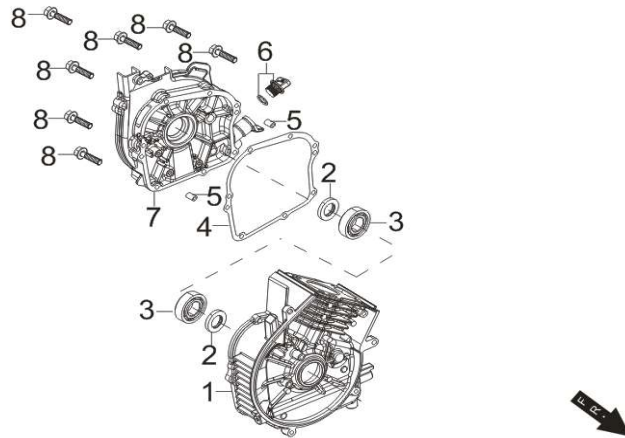
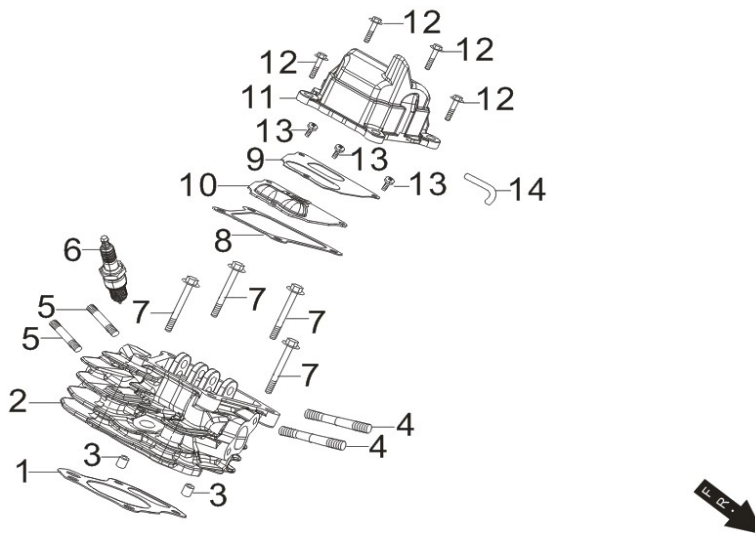


**FIG.1 CRANKCASE./COVER SUBASSEMBLY, CRANKCASE 曲轴箱体部件/曲轴箱盖部件(E01)**



REF.NO. 序号	PART NO 物料代码	CHINESE 中文名	DESCRIPTION 英文名	REQD. Q'TY 数量
E01-1	11310-Z800110-00A0	曲轴箱体组合	CRANKCASE SUBASSEMBLY.	1
E01-2	90682-Z800110-00A0	油封	SEAL, OIL	2
E01-3	90547-0204-CLA0	深沟球轴承	DEEP GROOVE BALL BEARING	2
E01-4	11001-Z800110-00A0	曲轴箱密封垫	GASKET, CRANKCASE	1
E01-5	90502-0812-00A0	定位销-A型	POSITION PIN - TYPE A	2
E01-6	15010-Z800131-Q5A0	机油尺组合	DIPSTICK SUBASSEMBLY, OIL	1
E01-7	11411-Z800210-00A0	曲轴箱盖	COVER, CRANKCASE	1
E01-8	90007-0622-A1A1	六角法兰面螺栓	BOLT	7

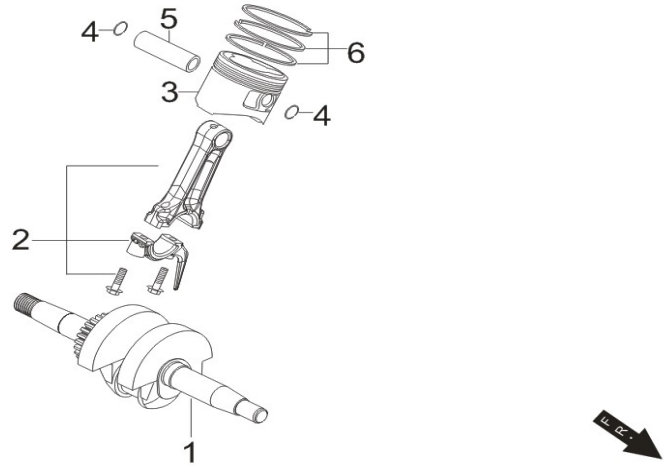
**FIG.2 HEAD SUBASSEMBLY, CYLINDER / PLUG, SPARK**



REF.NO. 序号	PART NO 物料代码	CHINESE 中文名	DESCRIPTION 英文名	REQD. Q'TY 数量
E03-1	12131-Z800110-00A0	气缸头密封垫	GASKET, CYLINDER HEAD	1
E03-2	12140-Z800110-00A0	气缸头组合	HEAD SUBASSEMBLY, CYLINDER	1
E03-3	90502-0812-00A0	定位销	POSITION PIN	2
E03-4	90204-Z800110-00A0	双头螺柱	STUD BOLT	2
E03-5	90204-Z800210-00A0	双头螺柱	STUD BOLT	2

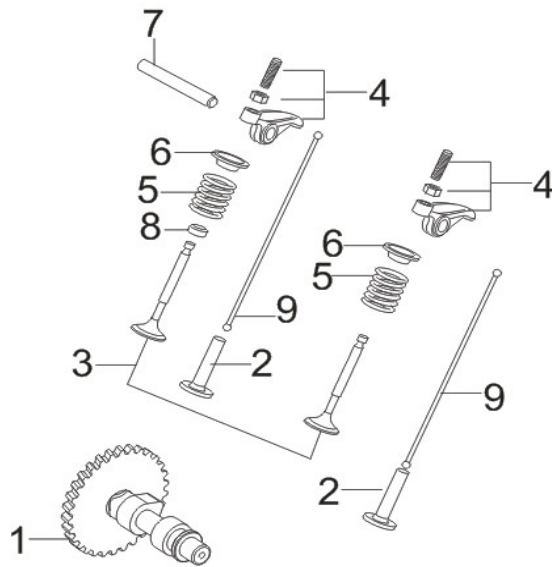
E03-6	30010-Z350210-00A0	火花塞	PLUG, SPARK	1
E03-7	12003-Z800110-00A0	气缸头螺栓	CYLINDER HEAD BOLT	4
E03-8	12004-Z800120-00A0	气缸头盖密封垫	CYLINDER HEAD COVER GASKET	1
E03-9	11320-Z800110-00A0	呼吸片组合	STOP ENGINE PIECE SUBASSEMBLY	1
E03-10	11332-Z800110-00A0	呼吸槽密封垫	GASKET, BREATH GROOVE	1
E03-11	12410-Z800211-00A0	气缸头盖组合	COVER SUBASSEMBLY, CYLINDER HEAD	1
E03-12	90007-0616-A1A0	六角法兰面螺栓	BOLT	4
E03-13	90103-0308-51A0	十字槽盘头螺钉	CROSS-RECESSED PAN HEAD SCREW	3
E03-14	17004-Z800110-00A0	废气管	TUBE, BREATHER	1

**FIG.3 RING SET,OIL / ROD,CRANKSHAFT CONNETING 油环组合/曲柄连杆组件(E05)**



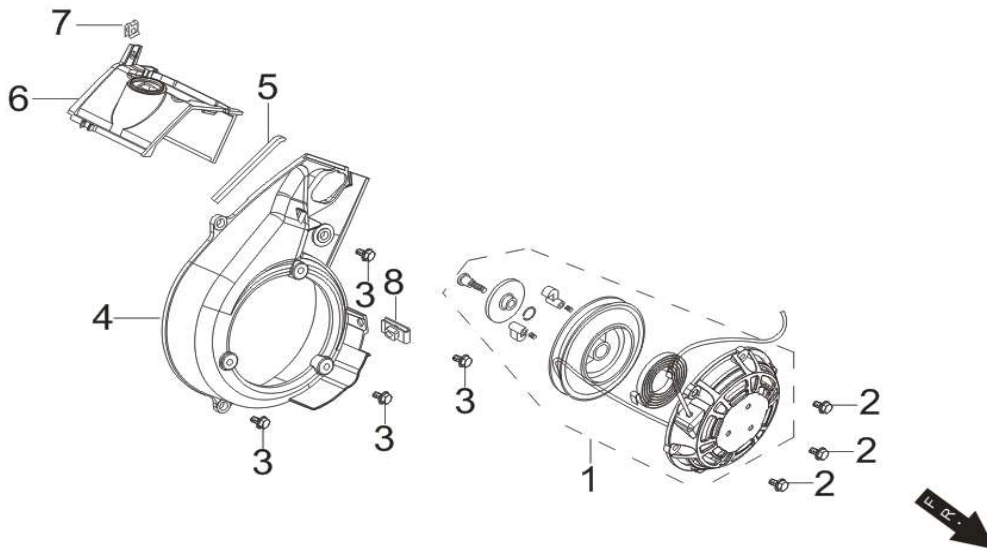
REF.NO. 序号	PART NO 物料代码	CHINESE 中文名	DESCRIPTION 英文名	REQD. Q'TY 数量
E05-1	13300-Z800110-00A0	曲轴部件	CRANKSHAFT ASSY.	1
E05-2	13010-Z800110-00A0	连杆	ROD, CONNECTING	1
E05-3	13111-Z800110-00A0	活塞	PISTON	1
E05-4	13122-Z800120-00A0	活塞销卡圈	CLIP, PISTON PIN	2
E05-5	13121-Z800120-00A0	活塞销	PIN, PISTON	1
E05-6	13200-Z800110-00A0	活塞环部件	RING ASSY, PISTON	1

**FIG.4 TRAIN,VALVE / CAMSHAFT SUBASSEMBLY 配气机构组件/凸轮轴 (E06)**



REF.NO. 序号	PART NO 物料代码	CHINESE 中文名	DESCRIPTION 英文名	REQD. Q'TY 数量
E06-1	14200-Z800211-00A0	凸轮轴部件	CAMSHAFT ASSY.	1
E06-2	14081-Z800110-00A0	气门挺柱	TAPPET, VALVE	2
E06-3	12110-Z800110-00A0	气门组件	VALVES SET	1
E06-4	14310-Z800110-00A0	气门摇臂组合	ROCKER SUBASSEMBLY, VALVE	2
E06-5	12103-Z800110-00A0	气门弹簧	SPRING, VALVE	2
E06-6	12112-Z800110-00A0	气门弹簧座	SEAT, VALVE SPRING	2
E06-7	14330-Z800110-00A0	气门摇臂轴	SHAFT, VALVE ROCKER	1
E06-8	12101-Z800110-00A0	挡油罩	GUIDE, SEAL	1
E06-9	14070-Z800110-00A0	气门挺杆组合	LIFTER SUBASSEMBLY, VALVE	2

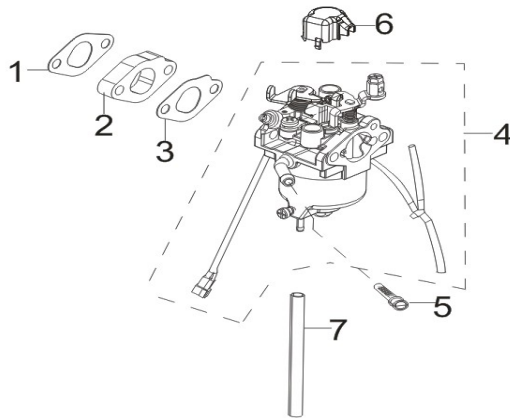
**FIG.5 STARTER,RECOIL 手起动组件 (E07)**



REF.NO. 序号	PART NO 物料代码	CHINESE 中文名	DESCRIPTION 英文名	REQD. Q'TY 数量
E08-1	28200-Z800120-Q2A0	手起动部件	STARTER ASSY, RECOIL	1
E08-2	90001-0612-01A0	六角法兰面螺栓	BOLT	3

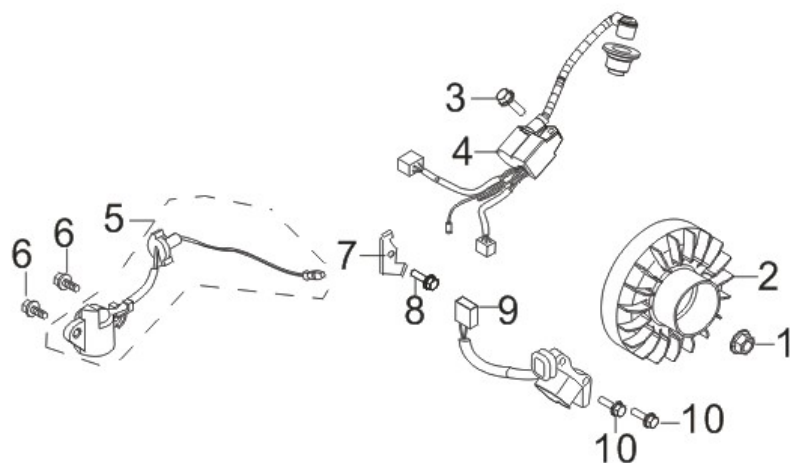
E08-3	90007-0616-A1A0	六角法兰面螺栓	BOLT	4
E08-4	28110-Z800110-Q2A0	导风罩	SHROUD	1
E08-5	19081-Z800110-00A0	导风罩密封条	STRIP, SHROUD SEAL	1
E08-6	12014-Z800110-00A0	气缸头导风板	CYLINDER HEAD WIND DEFLECTOR	1
E08-7	90804-Z800210-00A0	限位卡	STOP DETENT	1
E08-8	17199-YE50110-01A0	夹片螺母	CLIP NUT	1

**FIG.6 CARBURETOR ASSY. 化油器部件 (E09)**



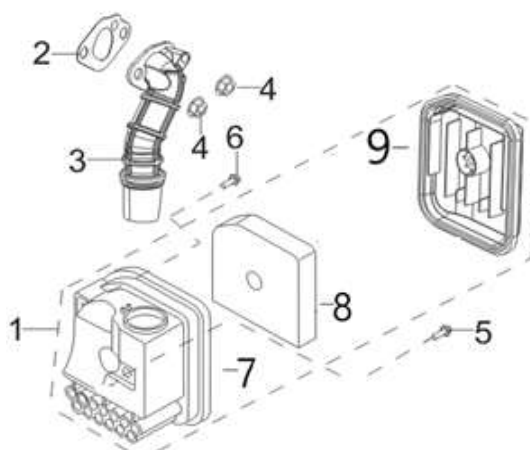
REF.NO. 序号	PART NO 物料代码	CHINESE 中文名	DESCRIPTION 英文名	REQD. Q'TY 数量
E09-1	16001-Z800110-00A0	化油器密封垫	CARBURETOR SEAL GASKET	1
E09-2	16003-Z800110-00A0	化油器隔热板	PLATE, CARBURETOR INSULATOR	1
E09-3	16002-Z800110-00A0	化油器隔热垫	GASKET, CARBURETOR INSULATOR	1
E09-4	16100-Z800110-00A1	化油器部件	CARBURETOR ASSY.	1
E09-5	16652-Z800110-00A0	燃油滤网	STRAINER, FUEL	1
E09-6	14411-Y2V0110-00A0	帽盖	CAP	1
E09-7	90686-Y2V0210-00A0	油管	TUBE, FUEL	1

**FIG.7 FLYWHEEL / IMPELLER / STARTER PULLEY / IGNITION COIL 飞轮/叶轮/启动杯/点火线圈 (E10)**



REF.NO. 序号	PART NO 物料代码	CHINESE 中文名	DESCRIPTION 英文名	REQD. Q'TY 数量
E10-1	13501-Z510110-00A0	飞轮螺母	NUT, FLYWHEEL	1
E10-2	13510-Z800410-00A0	飞轮组合	FLYWHEEL SUBASSEMBLY	1
E10-3	90007-0620-A1A0	六角法兰面螺栓	BOLT	1
E10-4	30700-Z800311-00A0	点火器	IGNITOR	1
E10-5	37060-Z800110-00A0	机油传感器	SENSOR, ENGINE OIL	1
E10-6	90007-0612-A1A0	六角法兰面螺栓	BOLT	2
E10-7	54066-Z800110-00A0	压线板	TENSION DISC	1
E10-8	90007-0612-A1A0	六角法兰面螺栓	BOLT	1
E10-9	30400-Z800210-00A0	点火线圈	COIL, IGNITION	1
E10-10	90007-0620-A1A0	六角法兰面螺栓	BOLT	2

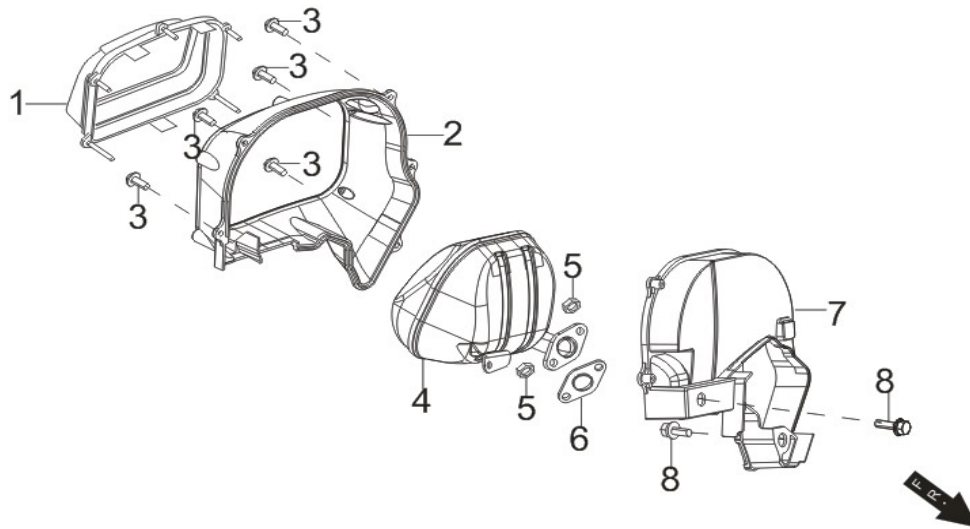
**FIG.8 CLEANER, AIR 空滤器 (F01)**



REF.NO. 序号	PART NO 物料代码	CHINESE 中文名	DESCRIPTION 英文名	REQD. Q'TY 数量
---------------	-----------------	----------------	--------------------	------------------

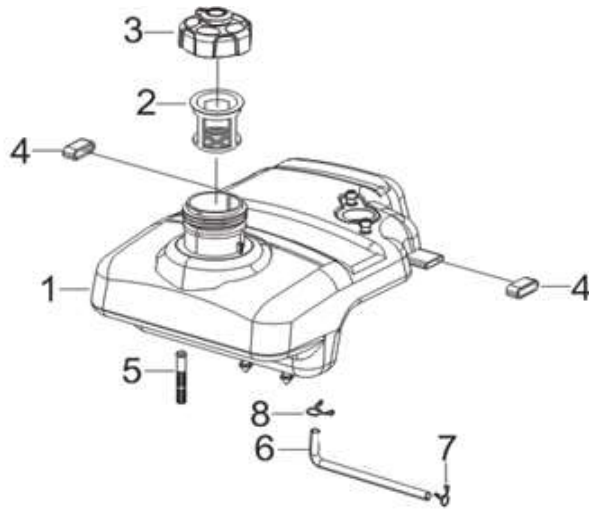
F01-1	17100-Z800110-00A0	空滤器	AIR CLEANER	1
F01-2	17001-Z800110-00A0	空滤器密封垫	AIR CLEANER SEAL GASKET	1
F01-3	17110-Z800110-00A0	空滤器进气管组合	AIR CLEANER INTAKE DUCT ASSEMBLY	1
F01-4	90305-0600-31A0	六角法兰面螺母	HEXAGON NUT WITH FLANGE	2
F01-5	90007-0520-A1A0	六角法兰面螺栓	BOLT	1
F01-6	90007-0620-A1A0	六角法兰面螺栓	BOLT	1
F01-7	17140-Z800110-00A0	空滤器座体组合	ELBOW SUBASSEMBLY, AIR CLEANER	1
F01-8	17151-Z800110-00A0	空滤器滤芯	ELEMENT, AIR CLEANER	1
F01-9	17104-Z800110-00A0	空滤器壳体盖	COVER, AIR CLEANER CASE	1

**FIG.9 MUFFLER ASSY. 消声器部件 (F02)**



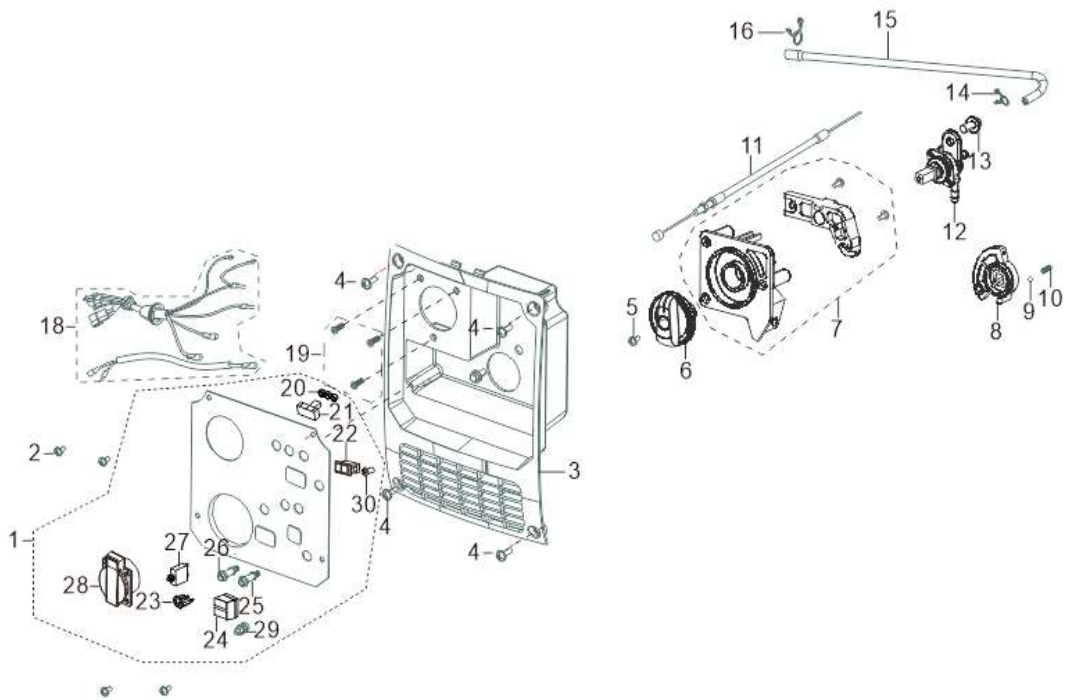
REF.NO. 序号	PART NO 物料代码	CHINESE 中文名	DESCRIPTION 英文名	REQD. Q'TY 数量
F02-1	18002-Z800110-00A0	消声器边罩	COVER, MUFFLER SIDE	1
F02-2	18109-Z800110-00A0	消声器导流罩	SHROUD, MUFFLER	1
F02-3	90107-0516-01A0	十字槽盘头自攻螺钉	CROSS-RECESSED PAN HEAD SELF-TAPPING SCREW	5
F02-4	18100-Z800210-00A1	消声器部件	MUFFLER ASSY.	1
F02-5	90303-0600-31A0	1型六角螺母	TYPE 1 HEXAGON NUT	2
F02-6	18001-Z800110-00A0	排气口密封垫	GASKET, EXHAUST OUTLET	1
F02-7	18013HZ800110-00A0	消声器护罩	MUFFLER COVER	1
F02-8	90007-0616-A1A0	六角法兰面螺栓	BOLT	2

**FIG.10 TANK ASSY, FUEL 油箱部件 (F03)**



REF.NO. 序号	PART NO 物料代码	CHINESE 中文名	DESCRIPTION 英文名	REQD. Q'TY 数量
F03-1	16620-Y2V0140-Q2A1	油箱	FUEL TANK	1
F03-2	16652-Y2V0110-00A0	燃油滤网	STRAINER, FUEL	1
F03-3	16730-YDZ0110-Q2A0	油箱盖	COVER, FUEL TANK	1
F03-4	90683-Y2V0110-00A0	衬套	BUSH	2
F03-5	16514-Y2V0110-00A0	过滤器滤芯	ELEMENT, STRAINER	1
F03-6	90686HY2V0410-00A0	油管	TUBE, FUEL	1
F03-7	90740-Z010210-00A0	卡箍	COLLAR	1
F03-8	90740-Z450110-00A0	卡箍	COLLAR	1

**FIG.11 PANEL, CONTROL,ASSY.控制面板组合(F05)**

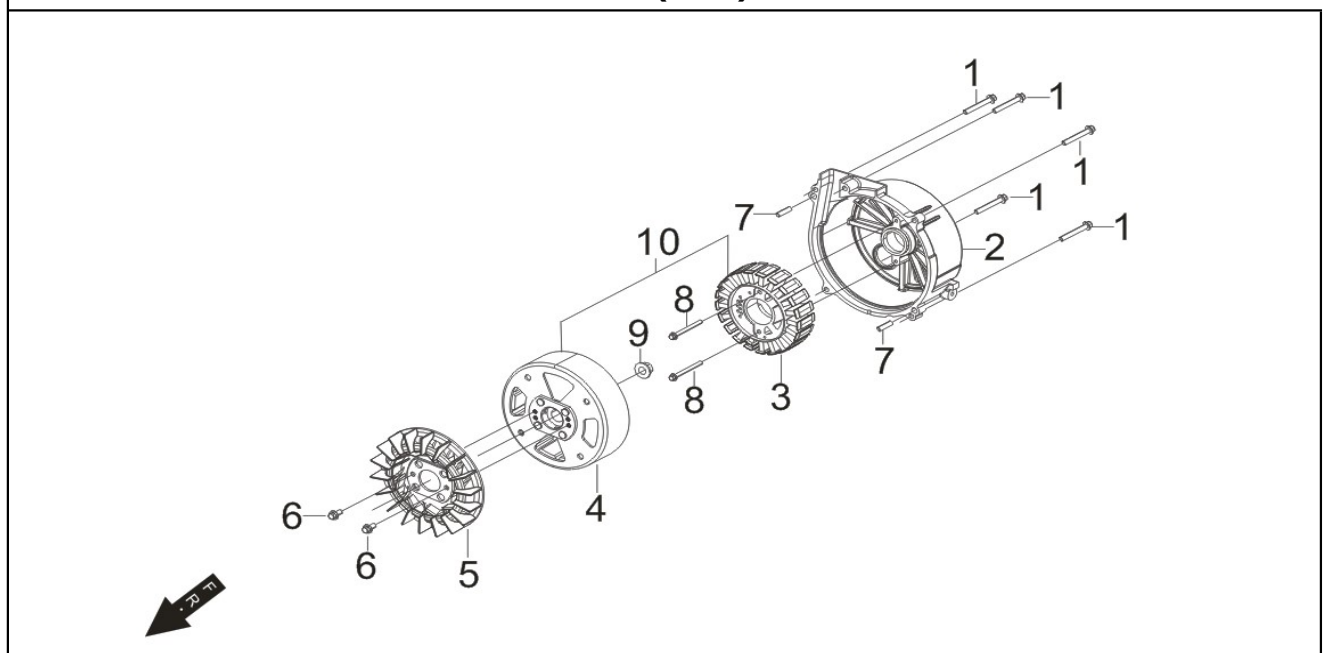


REF.NO. 序号	PART NO 物料代码	CHINESE 中文名	DESCRIPTION 英文名	REQD. Q'TY 数量
F05-1	35610-Y2V1E10-H7A0	控制面板组合	PANEL SUBASSEMBLY, CONTROL	1



F05-2	90124-Y9T0310-00A0	自攻螺钉	SELF-TAPPING SCREW	4
F05-3	35680-Y5V0110-Q2B0	面板座	SEAT, PANEL	1
F05-4	90255-0516-53A0	十字槽小盘头螺钉和平垫圈		4
F05-5	90103-0416-51A0	十字槽盘头螺钉	CROSS-RECESSED PAN HEAD SCREW	1
F05-6	35643-Y2V0210-Q2A0	旋钮	KNOB	1
F05-7	35160-YB00111-00A0	开关组合件	SWITCH SUBASSEMBLY	1
F05-8	94111-Y2V0410-00A0	盖板	COVER PLATE	1
F05-9	90543-0500-00A0	钢球	BALL, STEEL	1
F05-10	16527-Y2V0210-00A0	限位调节弹簧	SPRING, STOPPER ADJUSTING	1
F05-11	16080-Y2V0110-00A0	阻风门拉手组合	HANDLE SUBASSEMBLY, CHOKE	1
F05-12	16750-Y2V0141-00A0	油开关组合	COCK ASSY, FUEL	1
F05-13	90001-0614-01A0	六角法兰面螺栓	BOLT	1
F05-14	90740-Z010210-00A0	卡箍	COLLAR	1
F05-15	90686HY2V0310-00A0	油管	TUBE, FUEL	1
F05-16	90685-Z030510-00A0	管夹	PIPE CLAMP	1
F05-18	35660-YB00120-00A0	控制面板线束	HARNESS, CONTROL PANEL WIRING	1
F05-19	90129-0416-01A0	十字槽沉头自攻螺钉	CROSS-RECESSED COUNTERSUNK HE	3
F05-20	37099-Y2V0210-0000	指示灯安装座	INDICATOR MOUNTING BASE	3
F05-21	35620-YAY0110-0000	状态显示板总成	STATUS DISPLAY BOARD ASSEMBLY	1
F05-22	35160-Y0G0110-0000	开关组合件	SWITCH SUBASSEMBLY	1
F05-23	35619-Y2V0110-0000	直流插座组合	SOCKET SUBASSEMBLY, D.C	1
F05-24	35619-Y9T0110-0000	电源插座组合	SOCKET SUBASSEMBLY, POWER SUPP	1
F05-25	35614-Y2P0310-0000	电源插座组合	SOCKET SUBASSEMBLY, POWER SUPP	1
F05-26	35614-Y2P0210-0000	电源插座组合	SOCKET SUBASSEMBLY, POWER SUPP	1
F05-27	31234-Y9H0110-0000	过流保护器	PROTECTOR, OVERCURRENT	1
F05-28	35614-Y020110-0000	电源插座组合	SOCKET SUBASSEMBLY, POWER SUPP	1
F05-29	35629-Y2V0110-0000	接地端子组合	TERMINAL SUBASSEMBLY, GROUNDING	1
F05-30	35646-YB10210-0000	复位按钮	BUTTON, RESETTING	1

**FIG.12 ROTOR/STATOR 电机组件 (F06)**

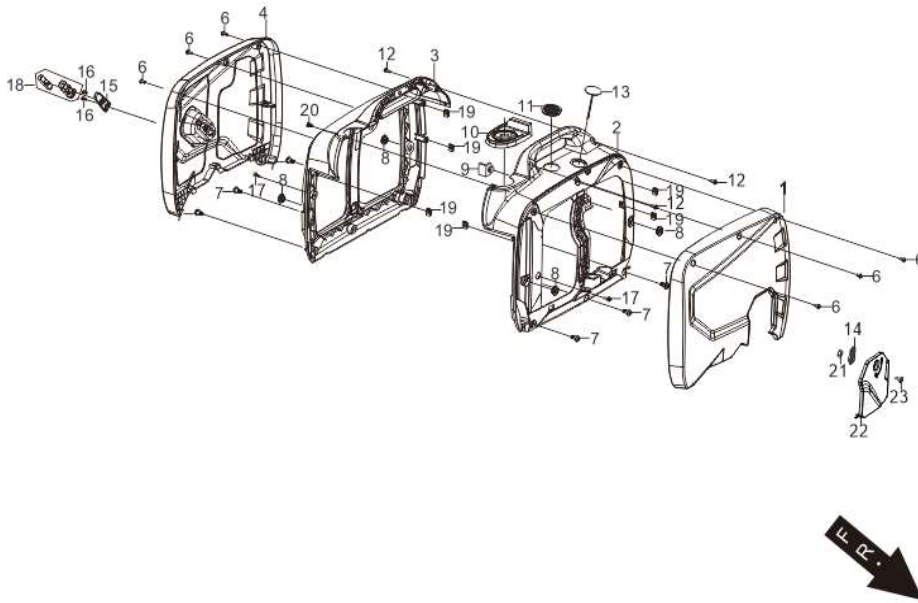


REF.NO. 序号	PART NO 物料代码	CHINESE 中文名	DESCRIPTION 英文名	REQD. Q'TY 数量
---------------	-----------------	----------------	--------------------	------------------



F06-1	90001-0630-01A0	六角法兰面螺栓	BOLT	5
F06-2	30024-Y5V0110-00A0	电机导风罩	SHROUD, MOTOR	1
F06-3	30120-YC40110-00A1	磁电机定子组合	STATOR SUBASSEMBLY, MAGNETO	1
F06-4	30110-Y2V0130-00A2	磁电机转子壳体组合	CASE SUBASSEMBLY, MAGNETO ROTOR	1
F06-5	19352-Y2V0110-Q2A0	叶轮	IMPELLER	1
F06-6	90001-0610-01A0	六角法兰面螺栓	BOLT	2
F06-7	90502-0814-00A0	定位销-A型	POSITION PIN - TYPE A	2
F06-8	90001-0535-01A0	六角法兰面螺栓	BOLT	2
F06-9	90306-1200-31A0	六角法兰面螺母	HEXAGON NUT WITH FLANGE	1

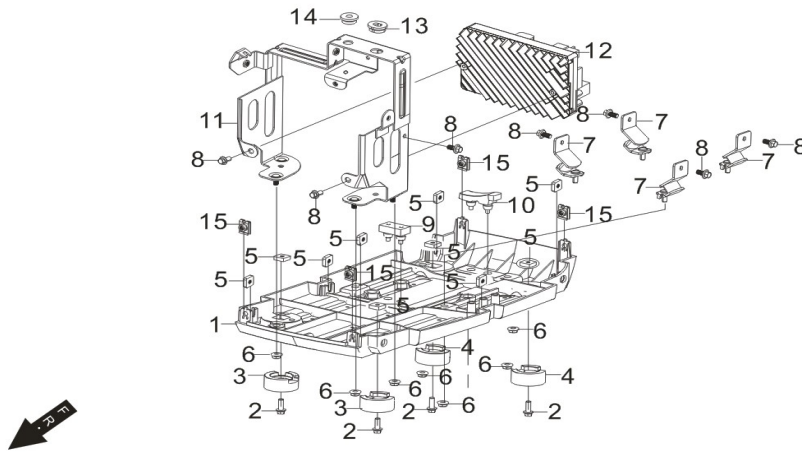
**FIG.13 SHELL 外壳、装饰板 (F31)**



REF.NO. 序号	PART NO 物料代码	CHINESE 中文名	DESCRIPTION 英文名	REQD. Q'TY 数量
E04-1	80096HY2V0110-S100	右外观盖板	RIGHT APPEARANCE COVER PLATE	1
E04-2	80095-Y5V0120-Q2B0	右外壳	RIGHT HOUSING	1
E04-3	80091-Y5V0120-Q2B0	左外壳	LEFT HOUSING	1
E04-4	80092HY2V0310-S100	左外观盖板	LEFT HOUSING COVER PLATE	1
E04-6	90208-YB00210-00A0	六角台阶螺栓	HEXAGONAL STEP BOLT	6
E04-7	90208-Y2V0110-00A0	六角台阶螺栓	HEXAGONAL STEP BOLT	6
E04-8	16601-Y2V0210-00A0	油箱支撑胶套	SLEEVE, FUEL TANK RUBBER	4
E04-9	50033-Y2V0110-00A0	发动机上悬挂缓冲胶垫	CUSHION, ENGINE UPPER SUSPENS	4
E04-10	16641-Y2V0110-00A0	注油口胶套	SLEEVE, FILLING OIL HOLE RUBBER	1
E04-11	37205-Y2V0310-00A0	油标玻璃窗	OPENING, OIL LEVERLER VIEW	1
E04-12	90255-0516-53A0	十字槽小盘头螺钉和平垫圈	CROSS-RECESSED SMALL PAN HEAD	3
E04-13	30431-Y2V0110-00A0	橡胶护套	JACKET, RUBBER	1
E04-14	24329-Y9T0120-Q2A0	挡块	STOPPER	1
E04-15	28004-Y2V0210-00A0	起动拉绳导向板组合	GUIDE SUBASSEMBLY, STARTING RO	1
E04-16	90255-0512-53A0	十字槽小盘头螺钉和平垫圈	CROSS-RECESSED SMALL PAN HEAD	2
E04-17	90007-0612-A1A0	六角法兰面螺栓-加大系列-	HEXAGON SOCKET FLANGE FACE BOL	2

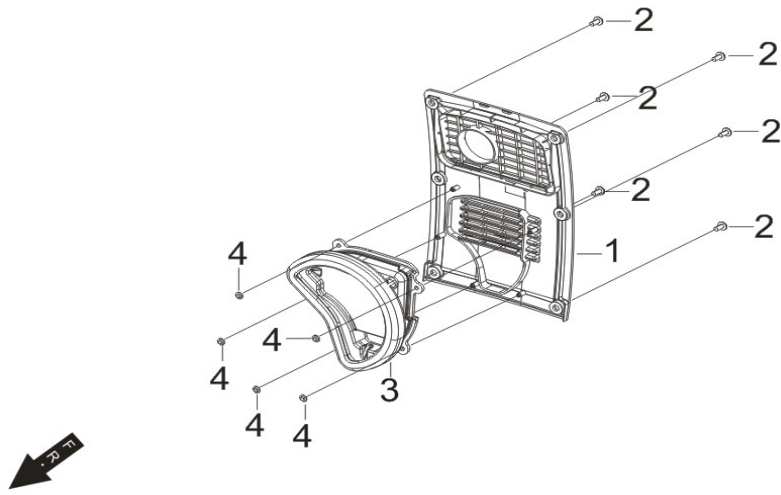
E04-18	28210-Y2V0110-00A0	起绳拉绳手柄	HANDLE, RECOIL STRATER CABLE	1
E04-19	17199-YE50110-01A0	夹片螺母	CLIP NUT	6
E04-20	90124-Y9T0310-00A0	自攻螺钉	SELF-TAPPING SCREW	1
E04-21	90341-YA50110-00A0	尼龙螺母	NYLON NUT	1
E04-22	51197HY2V0110-S100	右维修门	RIGHT ACCESS DOOR	1
E04-23	90208-Y9T0120-00A0	六角台阶螺栓	HEXAGONAL STEP BOLT	1

**FIG.14 PLATE, BOTTOM/ASSEMBLING FRAME, INVERTER底板、逆变器、逆变器安装架(F32)**



REF.NO. 序号	PART NO 物料代码	CHINESE 中文名	DESCRIPTION 英文名	REQD. Q'TY 数量
F32-1	51143-Y5V0210-Q2B0	底板	PLATE, BOTTOM	1
F32-2	90001-0614-01A0	六角法兰面螺栓	BOLT	4
F32-3	51014-Y2V0140-00A0	机架减震座	SEAT, ENGINE FRAME SHOCK ABSOR	2
F32-4	51014-Y2V0250-00A0	机架减震座	SEAT, ENGINE FRAME SHOCK ABSOR	2
F32-5	90326-Y2V0110-00A0	方螺母		10
F32-6	90305-0600-31A0	六角法兰面螺母	HEXAGON NUT WITH FLANGE	7
F32-7	51005-Y2V0110-00A0	机架减震垫	CUSHION, ENGINE FRAME	4
F32-8	90001-0612-01A0	六角法兰面螺栓	BOLT	7
F32-9	50035-Y2V0210-00A0	缓冲胶垫支撑	BUFFERING PAD SUPPORT	1
F32-10	50035-Y2V0110-00A0	缓冲胶垫支撑	BUFFERING PAD SUPPORT	1
F32-11	30081-Y2V0120-H7A0	逆变器安装架	INVERTOR MOUNTING RACK	1
F32-12	30043-YC40710-00A0	逆变器	INVERTOR	1
F32-13	16601-Y2V0210-00A0	油箱支撑胶套	SLEEVE, FUEL TANK RUBBER	1
F32-14	16601-Y2V0110-00A0	油箱支撑胶套	SLEEVE, FUEL TANK RUBBER	1
F32-15	17199-YE50110-01A0	夹片螺母	CLIP NUT	4

**FIG.15 COVER, MUFFLER SIDE 消声器边罩 (F33)**



REF.NO. 序号	PART NO 物料代码	CHINESE 中文名	DESCRIPTION 英文名	REQD. Q'TY 数量
F33-1	18002-Y2V0210-Q2A0	消声器边罩	COVER, MUFFLER SIDE	1
F33-2	90255-0516-53A0	小盘头螺钉和平垫圈组合件		6
F33-3	53202-Y2V0210-00A0	接头减震胶套	CUSHION, JOINT RUBBER	1
F33-4	37073-Y2V0110-00A0	弹簧卡圈	SPRING CLAMP	5