

CS-361WES

Serial Number

37000001-99999999

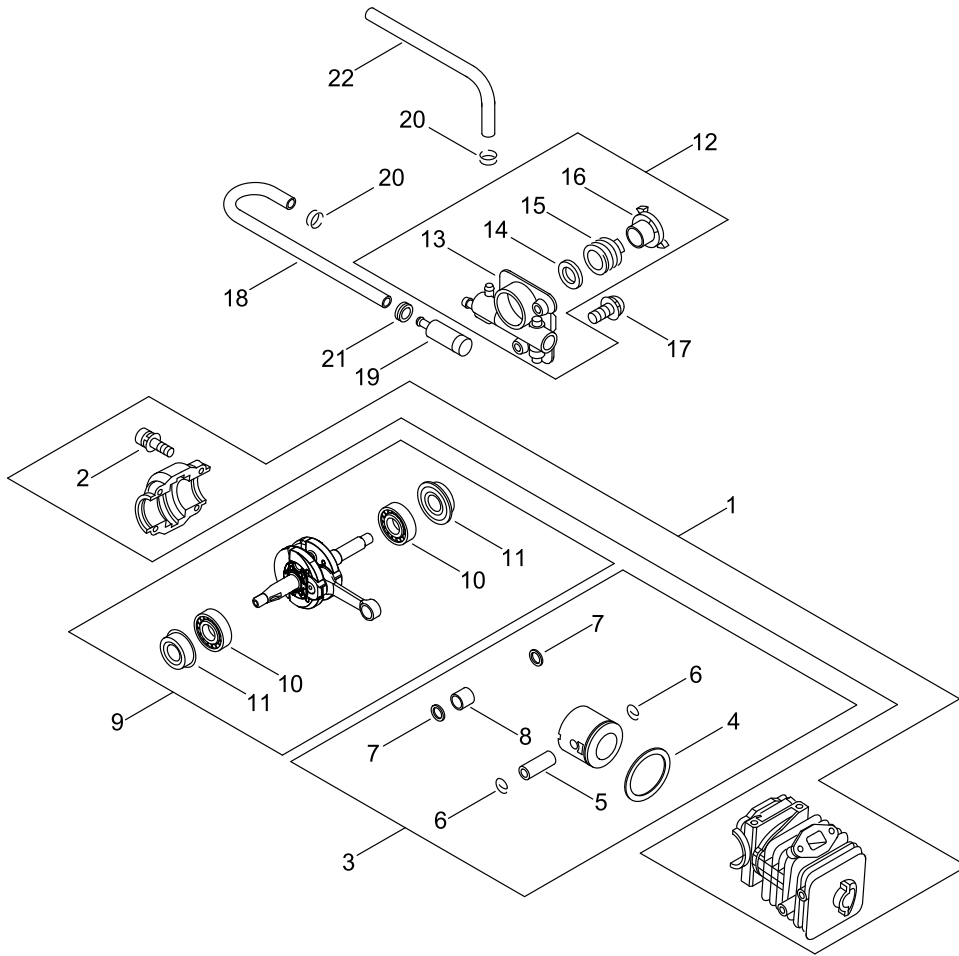
Last updated date

08/Jan/2023

TABLE OF CONTENTS

CYLINDER, PISTON, CRANKSHAFT	1
ENGINE COVER.....	3
MAGNETO.....	5
AIR CLEANER, CARBURETOR.....	7
CARBURETOR.....	9
MUFFLER.....	11
RECOIL STARTER.....	13
HANDLE.....	15
CHAIN BRAKE.....	17
ACCESSORIES	19
OILER.....	21
GUIDE BAR, CHAIN.....	23

CYLINDER, PISTON, CRANKSHAFT



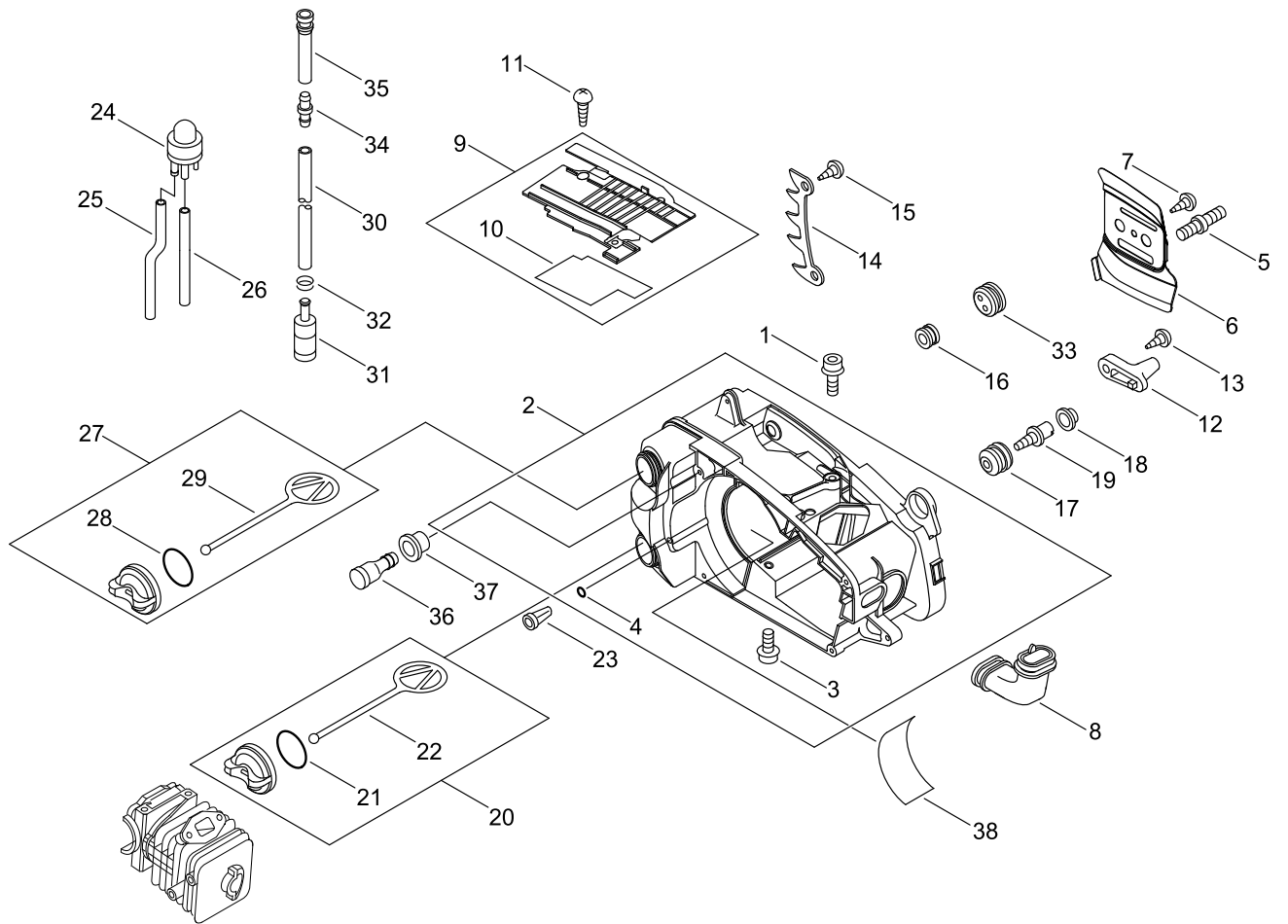
CYLINDER, PISTON, CRANKSHAFT

Key No.	LV (+)	Parts Number	Parts Description	Qty	Standard	Class
1		P021-048570	CRANKCASE SET	1		
2	+	900162-05025	BOLT, H.S. 5*25	4	5*25 W,SW	
3		P021-045440	PISTON KIT	1		
4	+	A101-000670	RING, PISTON	1	39*1.2*1.7	B
5	+	100013-15330	PIN, PISTON	1	5.5*8*29	D
6	+	100015-04630	CIRCLIP, PISTON PIN	2		C
7	+	100014-60930	SPACER, PISTON PIN	2		C
8	+	V553-000130	BEARING,NEEDLE 8	1		B
9		P021-039160	CRANKSHAFT ASY	1		
10	+	94035-36201	BEARING BALL	2	6201X3JR2C3	
11	+	V505-000011	SEAL,OIL 12	2	12*32*5.5	C
12		P021-010890	AUTO-OILER ASY	1		
13	+	C022-000020	AUTO-OILER ASSEMBLY	1		C
14	+	V308-000030	WASHER,CIRCULAR 11	1	10.5*17.4*1.8	C
15	+	V652-000030	GEAR,WORM	1		B
16	+	V356-000290	COLLAR,10	1		C
17		900238-04012	SCREW 4*12	2	4*12	
18		V471-000740	PIPE	1		C
19		436205-02832	STRAINER, OIL	1		
20		V490-001230	CLIP	2		C
21		132115-01461	GROMMET	1		C
22		V471-000760	PIPE	1		C

Class : Consumable class

A:Fast moving parts B:Semi-fast moving parts C:Slow moving parts D:Order only as needed

ENGINE COVER



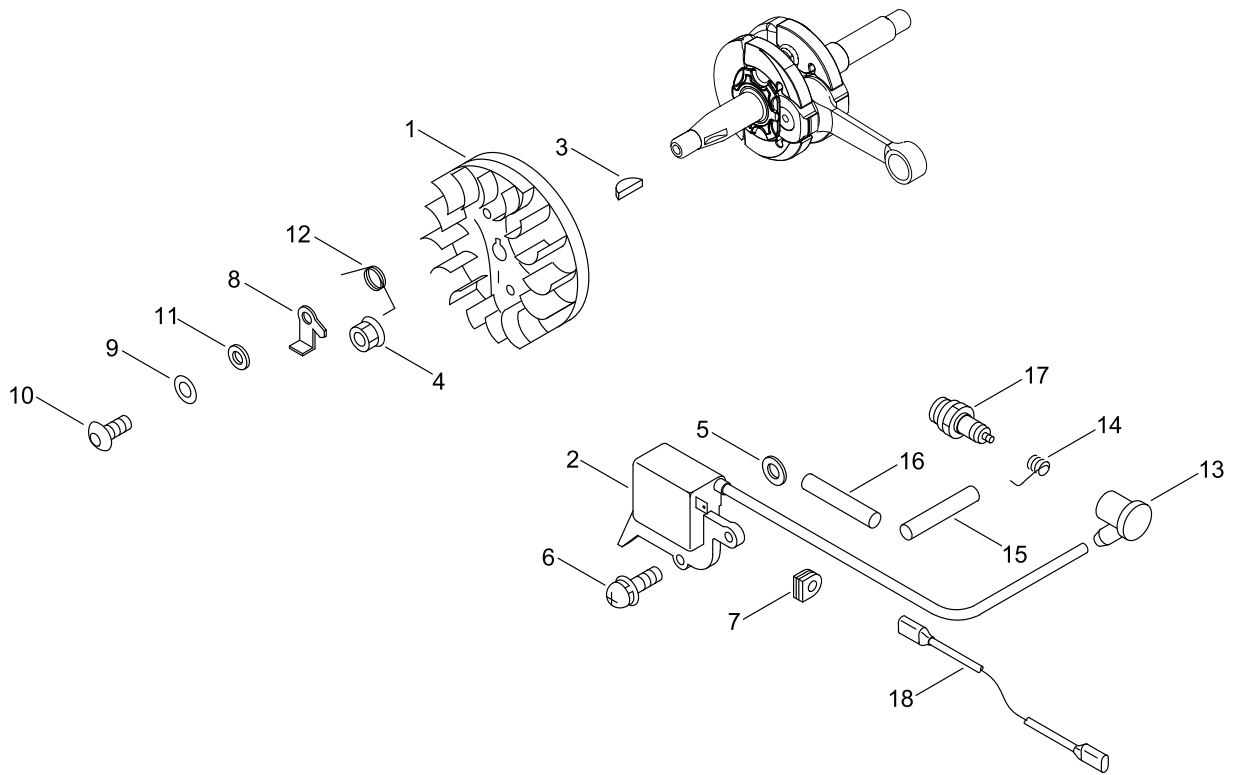
ENGINE COVER

Key No.	LV (+)	Parts Number	Parts Description	Qty	Standard	Class
1		900106-05020	BOLT HSH, FLANGE	2	5*20	
2		P021-040641	COVER,ENGINE KIT	1		C
3	+	900106-05030	BOLT HSH, FLANGE	2	5*30	
4	+	900724-00004	O-RING	1	S-4	
5		V224-000031	BOLT,STUD 6	2		C
6		C305-000080	PLATE,SPROCKET GUARD	1	T0.3	C
7		900253-04010	SCREW, TAPPING	1	4*10	
8		A239-000030	PIPE,INTAKE	1	L TYPE	C
9		P021-008741	DUSTCOVER SET	1		
10	+	V341-000040	WASHER,SQUARE	1		C
11		900253-04012	SCREW, TAPPING	2	4*12	
12		433026-35430	CATCHER, CHAIN	1		B
13		900253-05020	SCREW, TAPPING	1	5*20	
14		C304-000000	SPIKE	1		C
15		900253-05020	SCREW, TAPPING	1	5*20	
16		163911-30130	PLUG	1		B
17		100910-18830	CUSHION	1		B
18		100918-15130	CAP	1		C
19		V202-000020	BOLT,4	1		C
20		P021-005581	CAP ASY	1	BLACK	C
21	+	900720-00018	O-RING	1	P-18	
22	+	A365-000050	CONNECTOR,CAP	1		B
23		436114-13930	VALVE, CHECK	1		B
24		123181-39130	PUMP, PRIMER	1		A
25		V471-001440	PIPE	1	2.4*5*295	C
26		V471-001290	PIPE	1	2.4*5*75	C
27		P021-038080	FUEL CAP ASY	1		
28	+	V581-000590	RING,O	1	P18	A
29	+	A365-000050	CONNECTOR,CAP	1		B
30		V471-000750	PIPE	1		C
31		A369-000420	STRAINER, FUEL	1	ES-16499	A
32		V490-001240	CLIP	1		C
33		132115-44330	GROMMET	1		C
34		V186-000510	JOINT,PIPE	1		C
35		V470-000321	PIPE	1	10*6*L32	C
36		131300-56431	VENT ASSEMBLY, FUEL	1		B
37		V137-000000	GROMMET,FUEL	1		C
38		V420-001110	CUSHION	1		B

Class : Consumable class

A:Fast moving parts B:Semi-fast moving parts C:Slow moving parts D:Order only as needed

MAGNETO



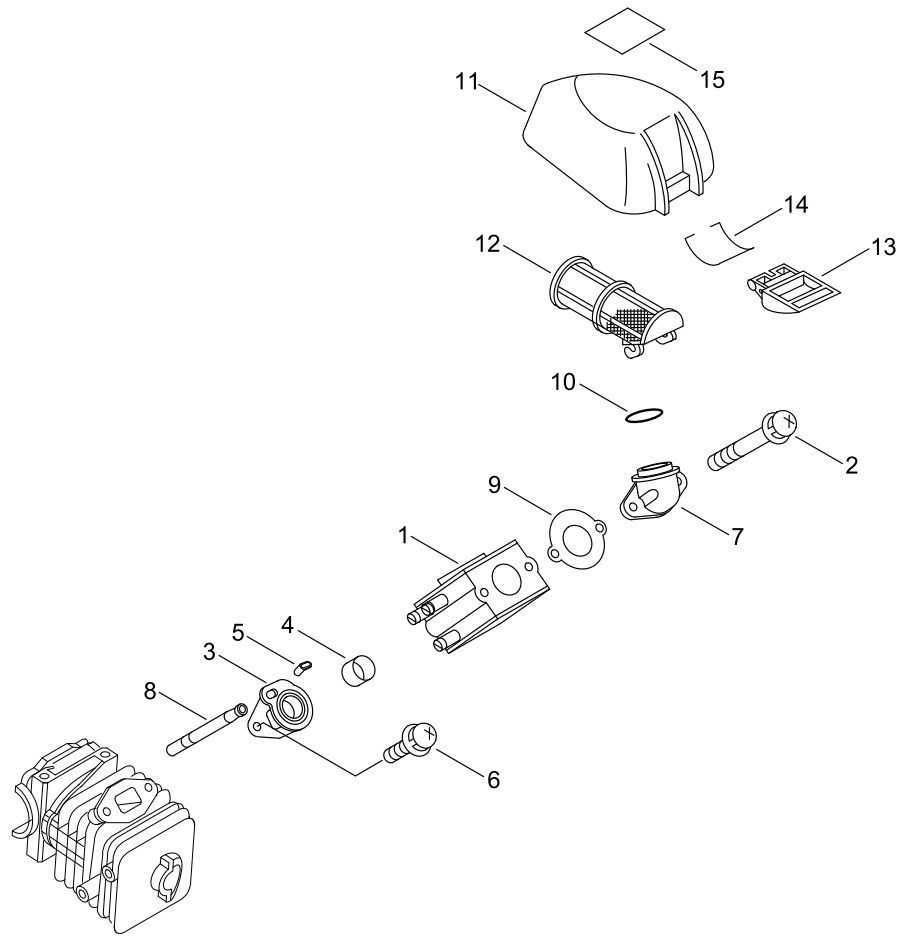
MAGNETO

Key No.	LV (+)	Parts Number	Parts Description	Qty	Standard	Class
1		A409-001180	ROTOR, MAGNETO	1		C
2		P021-048610	COIL, IGNITION	1		
3		100142-12330	KEY, WOODRUFF	1		C
4		900515-00008	NUT, FLANGE 8	1	8	
5		150117-16430	SPACER	2		C
6		900238-05020	SCREW 5*20	2	5*20	
7		156110-04920	BUSHING	1		C
8		A514-000020	PAWL	2		C
9		900603-00005	WASHER 5	2	5.5*12*0.8	
10		V203-000080	BOLT,5	2	5*14	C
11		177247-04630	SPACER, RATCHET	2	5.2*8*2.1	C
12		177234-35430	SPRING, RETURN	2		B
13		A427-000000	CAP, SPARK PLUG	1		C
14		A426-000000	TERMINAL, SPARKPLUG	1		C
15		V475-002390	TUBE	1		C
16		V475-007430	TUBE	1		C
17		A425-000000	SPARKPLUG	1	BPMR8Y	A
18		V485-000550	LEAD	1	AMP-187 AMP-250	C

Class : Consumable class

A:Fast moving parts B:Semi-fast moving parts C:Slow moving parts D:Order only as needed

AIR CLEANER, CARBURETOR



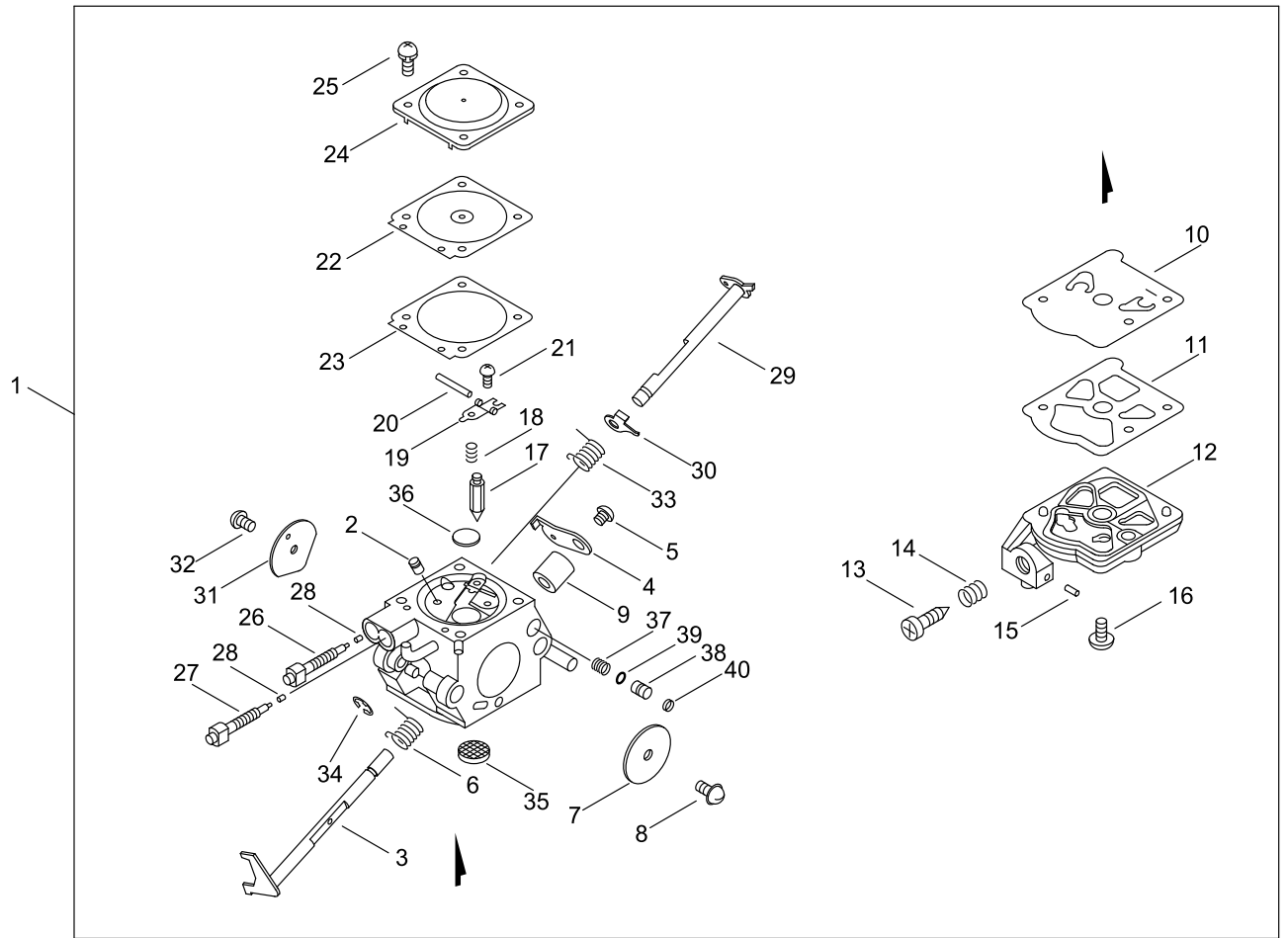
AIR CLEANER, CARBURETOR

Key No.	LV (+)	Parts Number	Parts Description	Qty	Standard	Class
1		A021-004400	CARBURETOR,DIAPHRAGM	1	C1Q-2690	B
2		900238-05050	SCREW 5*50	2	5*50	
3		A202-000033	BELLOWS,INTAKE	1		C
4		V359-000060	COLLAR,16	1		C
5		V351-000000	COLLAR,3	1	3.2*6.5	C
6		900238-05012	SCREW 5*12	2	5*12	
7		A204-000060	ELBOW,CARBURETOR	1		C
8		V470-000482	PIPE	1		C
9		V103-001510	GASKET,INTAKE	1		A
10		92505-10200	O-RING	1	JASO 1020	
11		A232-000191	LID,CLEANER	1		C
12		A226-001700	ELEMENT, AIR FILTER	1		A
13		A235-000140	KNOB,CLEANER LID	1		C
14		V582-000020	RING,SNAP	1	CSE2700	C
15		X503-013170	LABEL,MODEL	1	CS-361WES	D

Class : Consumable class

A:Fast moving parts B:Semi-fast moving parts C:Slow moving parts D:Order only as needed

CARBURETOR



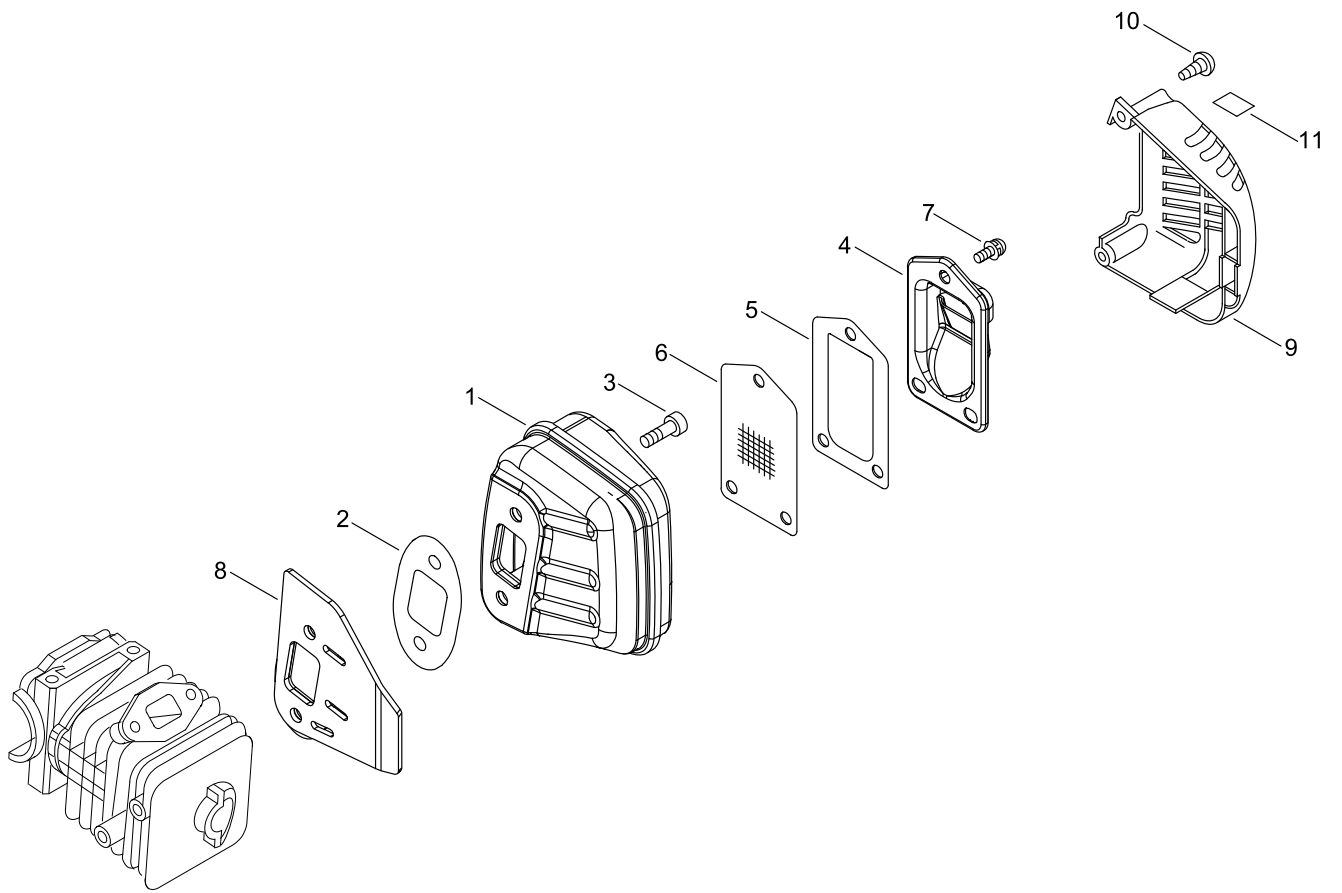
CARBURETOR

Key No.	LV (+)	Parts Number	Parts Description	Qty	Standard	Class
1		A021-004400	CARBURETOR,DIAPHRAGM	1	C1Q-2690	B
2	+	P005-003590	NOZZLE, CHECK VALVE	1		
3	+	P005-003600	SHAFT ASY,THROTTLE	1		
4	+	P005-003610	LEVER, THROTTLE	1		
5	+	125348-13930	SCREW	1		D
6	+	P005-000790	SPRING,THRT.RETURN	1		
7	+	P005-003620	VALVE, THROTTLE	1		
8	+	125314-13930	SCREW	1	3*4	D
9	+	P005-003630	COLLAR	1		
10	+	P005-001110	DIAPHRAGM, PUMP	1		A
11	+	125325-08360	GASKET, PUMP	1		
12	+	P005-003180	COVER, PUMP	1		D
13	+	125334-06960	SCREW,THROTTLEADJUST	1		
14	+	125333-33330	SPRING, IDLE ADJUST	1		D
15	+	125378-13930	PIECE, FRICTION	1		D
16	+	125310-13930	SCREW	1		D
17	+	125337-08260	VALVE, INLET NEEDLE	1		D
18	+	125322-11520	SPRING, COIL	1		
19	+	125323-08260	ARM, VALVE	1		
20	+	125338-13930	PIN, METERING ARM	1		D
21	+	125339-13930	SCREW	1		D
22	+	P005-003190	DIAPHRAGM ,METERING	1		
23	+	P005-003200	GASKET, METERING	1		A
24	+	P005-003210	COVER, METERING	1		D
25	+	P005-003220	SCREW	4		
26	+	P005-002370	NEEDLE, HIGH SPEED	1		D
27	+	P005-002380	NEEDLE, IDLE	1		D
28	+	125363-12820	RETAINER	2		D
29	+	P005-002390	SHAFT, CHOKE	1		
30	+	P005-003050	LEVER, CHOKE	1		
31	+	P005-003640	VALVE, CHOKE	1		
32	+	125314-51230	SCREW	1	3*4.5	D
33	+	P005-003650	SPRING, CHOKE RETURN	1		
34	+	125327-15130	CLIP	1		
35	+	P005-000860	SCREEN, FUEL INLET	1		B
36	+	P005-002400	PLUG, WELCH	1		
37	+	P005-003660	SPRING	1		
38	+	P005-003670	PLUNGER	1		
39	+	P005-003680	O-RING	1		
40	+	P005-003690	PLUG	1		

Class : Consumable class

A:Fast moving parts B:Semi-fast moving parts C:Slow moving parts D:Order only as needed

MUFFLER



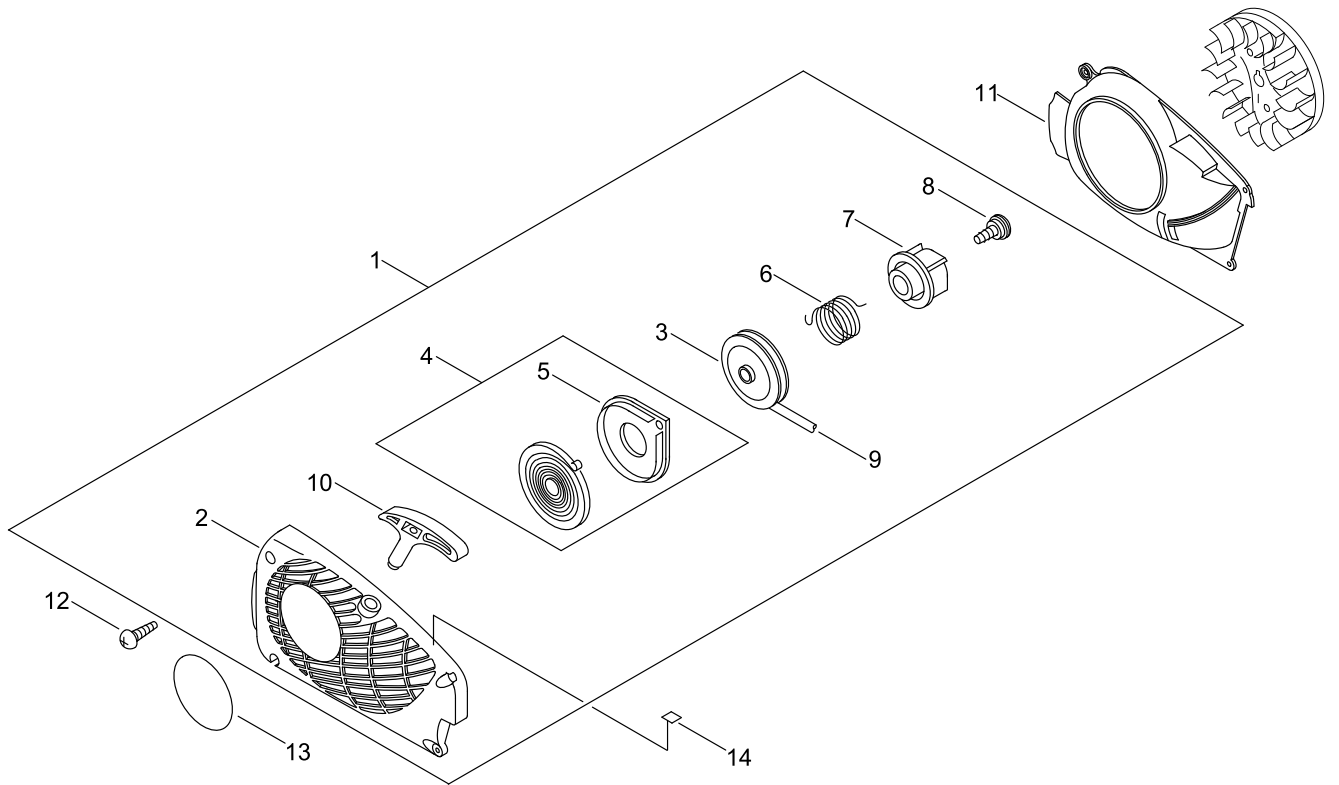
MUFFLER

Key No.	LV (+)	Parts Number	Parts Description	Qty	Standard	Class
1		A300-001841	MUFFLER, EXHAUST	1	T:0.6	C
2		V104-001960	GASKET,EXHAUST	1		A
3		900105-05018	BOLT, H.S. 5*18	2	5*18	
4		A313-001980	GUIDE, EXHAUST	1	ID # 2140	C
5		V104-001980	GASKET,EXHAUST	1		A
6		A310-000431	SCREEN, ARRESTOR	1		B
7		900242-04010	SCREW 4*10	3	4*10	
8		A312-000070	PLATE, EXHUST	1		C
9		A320-001130	COVER,MUFFLER	1		C
10		900253-04016	SCREW 4*16	2	4*16	
11		X505-007710	LABEL,CAUTION	1		D

Class : Consumable class

A:Fast moving parts B:Semi-fast moving parts C:Slow moving parts D:Order only as needed

RECOIL STARTER



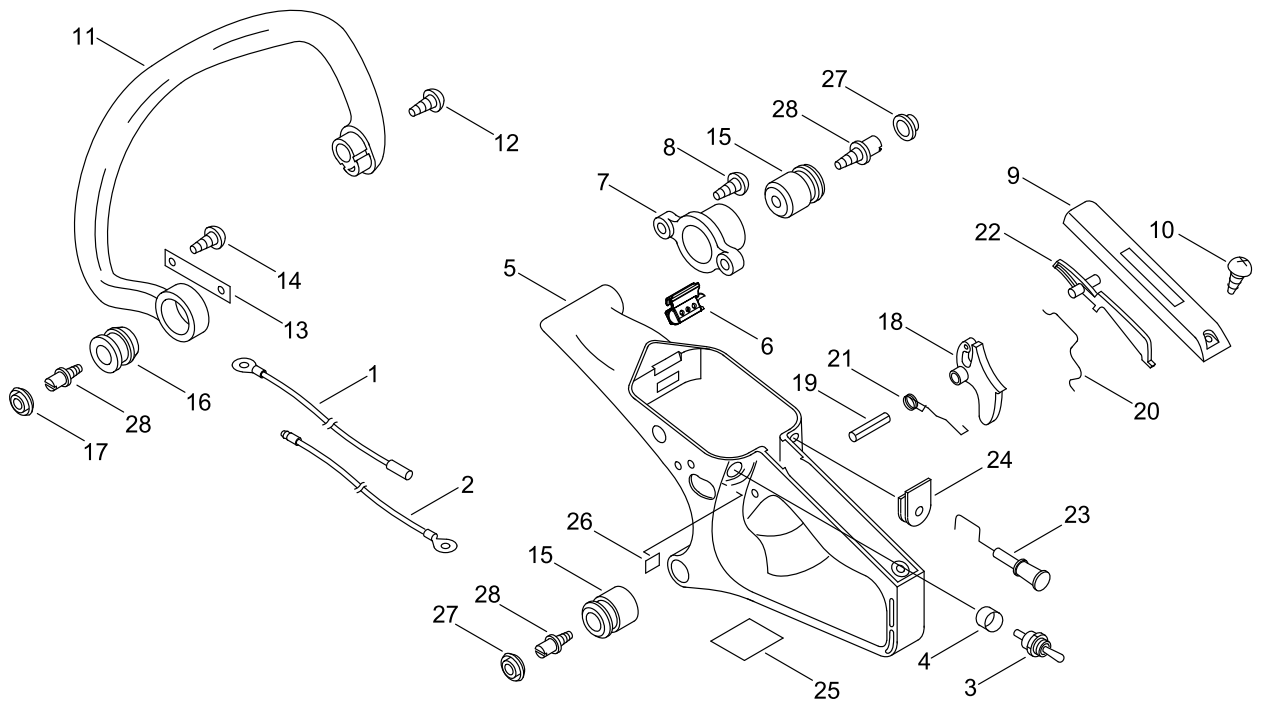
RECOIL STARTER

Key No.	LV (+)	Parts Number	Parts Description	Qty	Standard	Class
1		A051-003010	STARTER,RECOIL ASY	1		B
2	+	P022-039160	CASE,STARTER	1		
3	+	A506-000460	REEL,ROPE	1		C
4	+	P022-001330	SPRING KIT, REWIND	1		B
5	++	P022-033280	SPRING CASE	1		C
6	+	V452-001320	SPRING,TORSION	1		B
7	+	A507-000110	CATCHER,PAWL	1		C
8	+	177236-61830	SCREW	1		C
9	+	P022-008440	ROPE, STARTER	1	3.5*900	B
10	+	P022-005891	GRIP, STARTER	1		C
11		A172-002190	COVER,FAN	1		C
12		900256-04016	SCREW 4*16	4	4*16	
13		X502-000410	LABEL,ECHO	1		D
14		X505-000181	LABEL,CAUTION	1		D

Class : Consumable class

A:Fast moving parts B:Semi-fast moving parts C:Slow moving parts D:Order only as needed

HANDLE



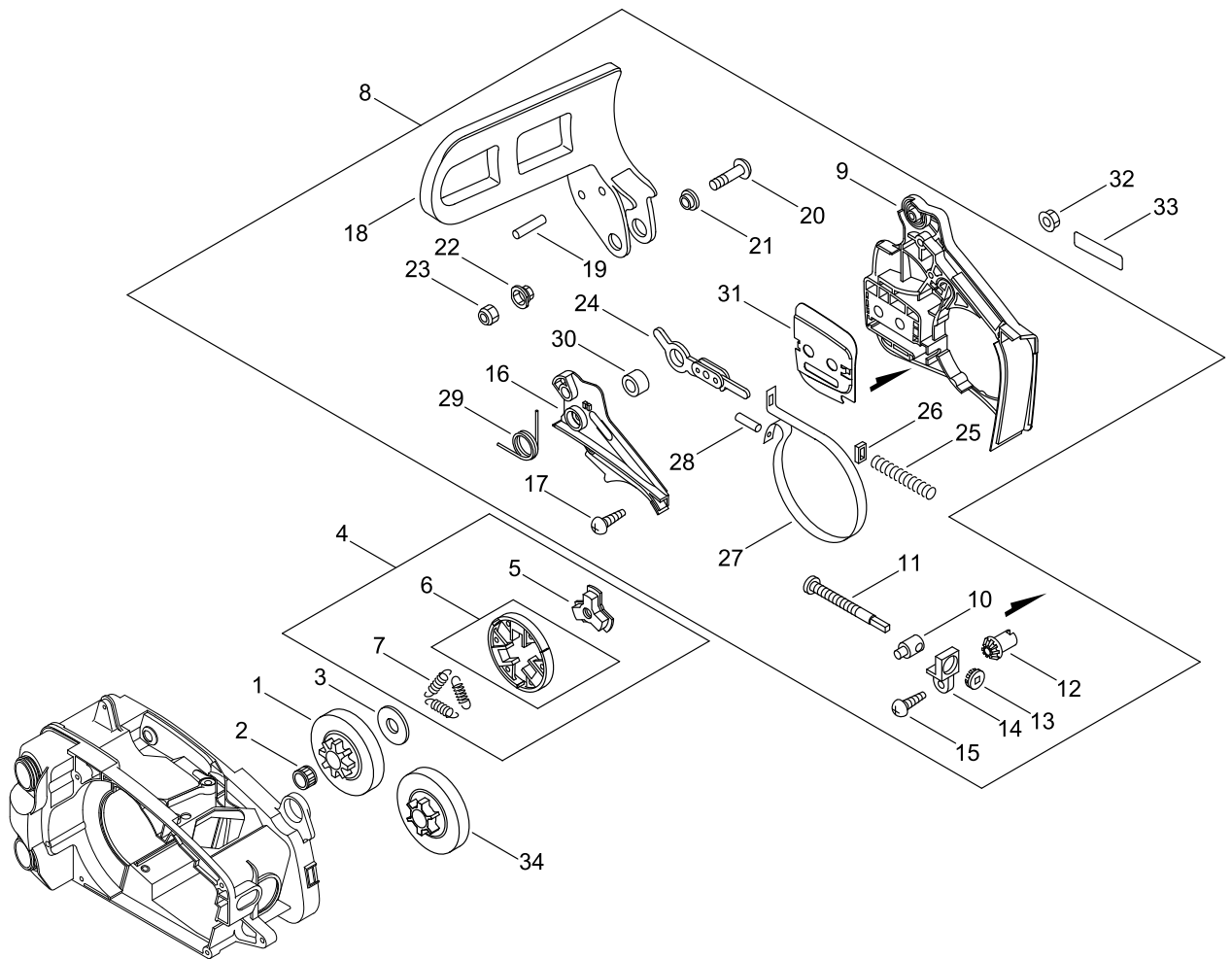
HANDLE

Key No.	LV (+)	Parts Number	Parts Description	Qty	Standard	Class
1		V485-000560	LEAD	1	CB-104 LA-105	C
2		V485-000571	LEAD	1		C
3		163400-38430	SWITCH, IGNITION	1		C
4		A472-000091	CASE, SWITCH	1		C
5		C410-000253	HANDLE, REAR	1		C
6		V142-000020	GROMMET, DUST	1		C
7		V424-000000	SLEEVE, CUSHION	1		C
8		900253-04016	SCREW 4*16	2	4*16	
9		C411-000001	LID, HANDLE	1		C
10		900253-04012	SCREW	1	4*12	
11		C400-000321	HANDLE, FRONT	1		C
12		900253-05020	SCREW 5*20	2	5*20	
13		C617-000200	STOPPER	1		C
14		900253-04008	SCREW 4*8	1	4*8	
15		V400-000070	CUSHION, 4	2		B
16		V401-000120	CUSHION, 5	1		B
17		100918-14330	CAP, CUSHION	1		C
18		C450-000141	TRIGGER, THROTTLE	1		C
19		900345-40025	PIN, SPRING 4*25SUS	1	4*25SUS	
20		C454-000110	ROD, THROTTLE	1		C
21		V452-000260	SPRING, TORSION	1		B
22		178090-37930	LOCKOUT, T. CONTROL	1		C
23		A241-000060	KNOB, CHOKE	1		C
24		V130-000010	GROMMET, CHOKE	1		C
25		890345-39231	LABEL, CAUTION	1		D
26		890157-39131	LABEL, SWITCH	1		D
27		100918-15130	CAP	2		C
28		V202-000020	BOLT, 4	3		C

Class : Consumable class

A:Fast moving parts B:Semi-fast moving parts C:Slow moving parts D:Order only as needed

CHAIN BRAKE



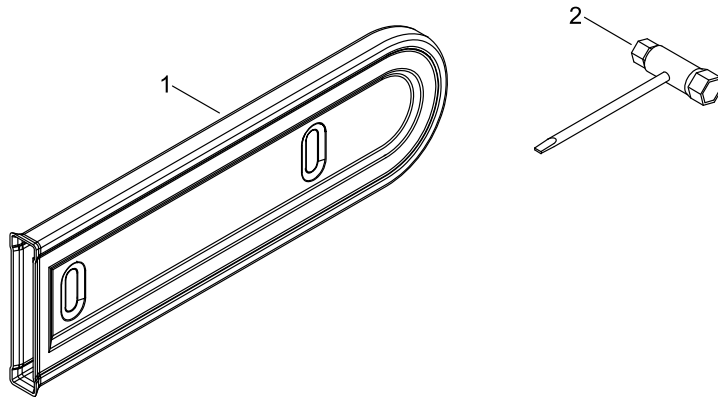
CHAIN BRAKE

Key No.	LV (+)	Parts Number	Parts Description	Qty	Standard	Class
1		175005-39133	DRUM, CLUTCH	1	3/8 6T	B
2		V555-000170	BEARING,NEEDLE 10	1	8E-KV10*13*12.8	B
3		A551-000010	PLATE,CLUTCH	1		C
4		A056-000070	CLUTCH	1		B
5	+	A552-000020	HUB,CLUTCH	1		B
6	+	P021-005810	CLUTCH SHOE SET	1		B
7	+	V451-000470	SPRING,TENSION	3		B
8		P021-048620	BRAKE,ASM CHAIN	1		
9	+	C300-000242	GUARD,SPROCKET	1		C
10	+	C309-000030	TENSIONER,CHAIN	1		C
11	+	V203-000041	BOLT,5	1		C
12	+	V651-000001	GEAR,BEVEL	1		D
13	+	V651-000011	GEAR,BEVEL	1		D
14	+	V355-000140	COLLAR,8	1		C
15	+	900253-04012	SCREW, TAPPING	1	4*12	
16	+	C345-000084	COVER,BRAKE	1		C
17	+	900253-04012	SCREW, TAPPING	3	4*12	
18	+	C320-000047	LEVER,BRAKE	1		C
19	+	900330-30260	ROLLER	2	3*26	
20	+	91318-05032	SCREW	1	5*32	C
21	+	433167-39130	SPACER	1		C
22	+	V353-000060	COLLAR,5	1		C
23	+	900562-50005	NUT, LOCK	1	5	
24	+	C334-000070	CONNECTOR,BRAKE	1		C
25	+	V450-000070	SPRING,COMPRESSION	1		B
26	+	V376-000450	SPACER	1		C
27	+	C328-000030	BAND,BRAKE	1		C
28	+	93050-30098	ROLLER	1	3*9.8	C
29	+	V452-000110	SPRING,TORSION	1		B
30	+	433116-35430	SPACER 8	1	8*12*9	C
31	+	C305-000091	PLATE,SPROCKET GUARD	1	T0.5	C
32		433019-03933	NUT, FLANGE 6	2	6	C
33		X502-000340	LABEL,ECHO	1	ECHO(WHITE)	D
34		175007-39233	DRUM, CLUTCH 1/4	1	1/4 8T	B

Class : Consumable class

A:Fast moving parts B:Semi-fast moving parts C:Slow moving parts D:Order only as needed

ACCESSORIES



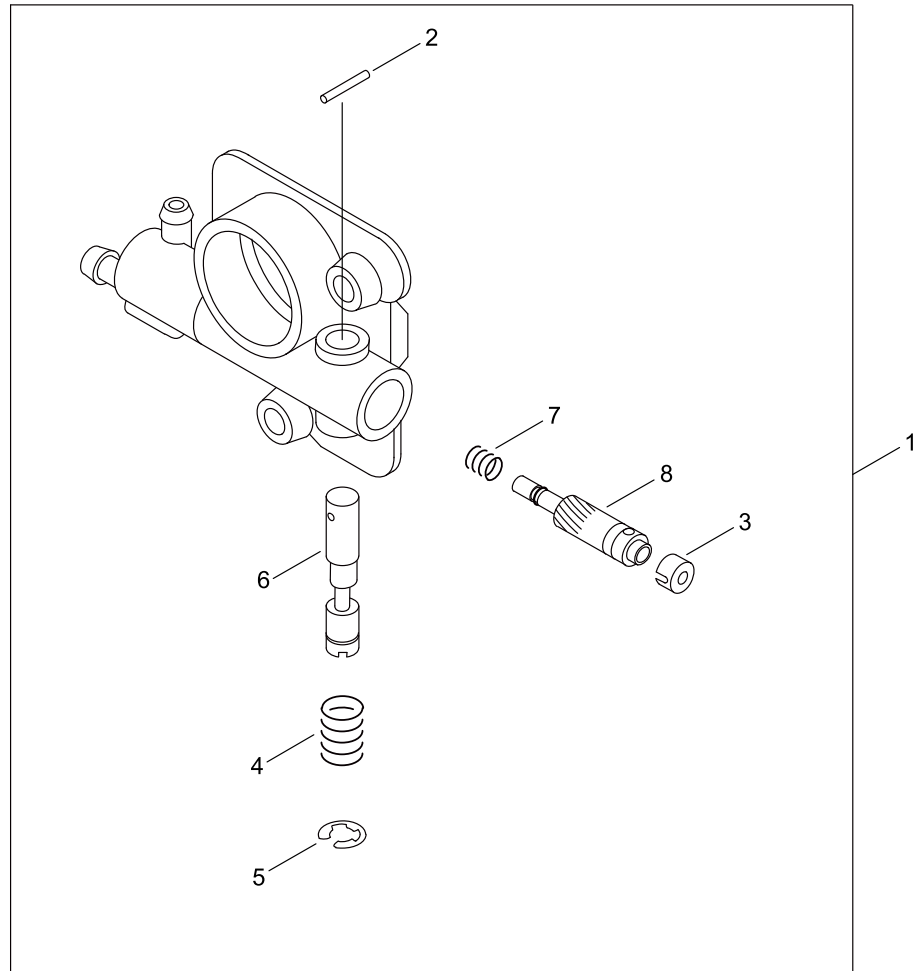
ACCESSORIES

Key No.	LV (+)	Parts Number	Parts Description	Qty	Standard	Class
1		X490-000510	SCABBARD,CHAIN	1	350	D
2		895410-03930	WRENCH, W/S. DRIVER	1		D

Class : Consumable class

A:Fast moving parts B:Semi-fast moving parts C:Slow moving parts D:Order only as needed

OILER





OILER

Key No.	LV (+)	Parts Number	Parts Description	Qty	Standard	Class
1		C022-000020	AUTO-OILER ASSEMBLY	1	OP-7	C
2	+	P003-002180	PIN, SPRING	1		D
3	+	437062-38330	CAP, OIL PUMP	1		D
4	+	437015-37330	SPRING	1		D
5	+	123127-15030	RING	1		D
6	+	P003-001370	NEEDLE-ADJ	1		D
7	+	437019-38330	SPRING	1		
8	+	437024-37330	PLUNGER	1		

Class : Consumable class

A:Fast moving parts B:Semi-fast moving parts C:Slow moving parts D:Order only as needed

GUIDE BAR, CHAIN

Pitch ピッチ (inch) (mm)	Gauge ゲージ (inch) (mm)	Length 長さ (cm)	Guide Bar ガイドバー		Saw Chain ソーチェン		Hard Nose ハード ノーズ 	Sprocket Nose スプロケット ノーズ 
			Key №	Type 形式	Key №	Type 形式		
3/8 9.53	0.050 1.27	30	A1	30RC50M-3/8	A2	91VXL-47E		●
					A3	91PX-47E		
3/8 9.53	0.050 1.27	35	B1	35RC50M-3/8	B2	91VXL-53E		●
					B3	91PX-53E		
3/8 9.53	0.050 1.27	40	C1	40RC50-3/8	C2	91VXL-58E		●
					C3	91PX-58E		
3/8 9.53	0.050 1.27	35	D1	35RC50-3/8	D2	91VXL-53E		●
					D3	91PX-53E		
1/4 6.35	0.050 1.27	30	E1	30C50SL	E2	25AP-68E	●	
					E3	25A-68E		
1/4 6.35	0.050 1.27	35	F1	35C50SL	F2	25AP-76E	●	
					F3	25A-76E		

GUIDE BAR, CHAIN

Key No.	LV (+)	Parts Number	Parts Description	Qty	Standard	Class
A1		X122-000072	BAR,GUIDE 30	1	30RC50M-3/8 ECHO	A
A2		X222-000130	CHAIN,SAW	1	91VXL-47E	A
A3		X222-000140	CHAIN,SAW	1	91PX-47E	A
B1		X123-000132	BAR,GUIDE 35	1	35RC50M-3/8 ECHO	A
B2		X223-000080	CHAIN,SAW	1	91VXL-53E	A
B3		X223-000130	CHAIN,SAW	1	91PX-53E	A
C1		430211-13432	BAR,GUIDE 40RC50-3/8	1	40RC50-3/8	A
C2		X224-000030	CHAIN,SAW	1	91VXL-58E	A
C3		X224-000070	CHAIN,SAW	1	91PX-58E	A
D1		430219-38732	BAR, GUIDE 35RC503/8	1	35RC50L-3/8E-1-□	A
D2		X223-000080	CHAIN,SAW	1	91VXL-53E	A
D3		X223-000130	CHAIN,SAW	1	91PX-53E	A
E1		X102-000070	BAR,GUIDE 30	1	30C50SL ECHO	A
E2		431611-10030	CHAIN, SAW 25AP-68E	1	25AP-68E	A
E3		X202-000010	CHAIN,SAW	1	25A-68E	A
F1		X103-000110	BAR,GUIDE 35	1	35C50SL ECHO	A
F2		431612-10030	CHAIN, SAW 25AP-76E	1	25AP-76E	A
F3		X203-000000	CHAIN,SAW	1	25A-76E	A

Class : Consumable class

A:Fast moving parts B:Semi-fast moving parts C:Slow moving parts D:Order only as needed

NUMERICAL PARTS INDEX

Part No	Part description	Page	Part No	Part description	Page	Part No	Part description	Page
100013-15330	PIN, PISTON	2	433116-35430	SPACER 8	18	A056-000070	CLUTCH	18
100014-60930	SPACER, PISTON PIN	2	433167-39130	SPACER	18	A101-000670	RING, PISTON	2
100015-04630	CIRCLIP, PISTON PIN	2	436114-13930	VALVE, CHECK	4	A172-002190	COVER,FAN	14
100142-12330	KEY, WOODRUFF	6	436205-02832	STRAINER, OIL	2	A202-000033	BELLOWS,INTAKE	8
100910-18830	CUSHION	4	437015-37330	SPRING	22	A204-000060	ELBOW,CARBURETOR	8
100918-14330	CAP, CUSHION	16	437019-38330	SPRING	22	A226-001700	ELEMENT, AIR FILTER	8
100918-15130	CAP	4	437024-37330	PLUNGER	22	A232-000191	LID,CLEANER	8
100918-15130	CAP	16	437062-38330	CAP, OIL PUMP	22	A235-000140	KNOB,CLEANER LID	8
123127-15030	RING	22	890157-39131	LABEL, SWITCH	16	A239-000030	PIPE,INTAKE	4
123181-39130	PUMP, PRIMER	4	890345-39231	LABEL,CAUTION	16	A241-000060	KNOB,CHOKE	16
125310-13930	SCREW	10	895410-03930	WRENCH, W/S. DRIVER	20	A300-001841	MUFFLER, EXHAUST	12
125314-13930	SCREW	10	900105-05018	BOLT, H.S. 5*18	12	A310-000431	SCREEN, ARRESTOR	12
125314-51230	SCREW	10	900106-05020	BOLT HSH, FLANGE	4	A312-000070	PLATE, EXHUST	12
125322-11520	SPRING, COIL	10	900106-05030	BOLT HSH, FLANGE	4	A313-001980	GUIDE, EXHAUST	12
125323-08260	ARM, VALVE	10	900162-05025	BOLT, H.S. 5*25	2	A320-001130	COVER,MUFFLER	12
125325-08360	GASKET, PUMP	10	900238-04012	SCREW 4*12	2	A365-000050	CONNECTOR,CAP	4
125327-15130	CLIP	10	900238-05012	SCREW 5*12	8	A369-000420	STRAINER, FUEL	4
125333-33330	SPRING, IDLE ADJUST	10	900238-05020	SCREW 5*20	6	A409-001180	ROTOR, MAGNETO	6
125334-06960	SCREW, THROTTLEADJUST	10	900238-05050	SCREW 5*50	8	A425-000000	SPARKPLUG	6
125337-08260	VALVE, INLET NEEDLE	10	900242-04010	SCREW 4*10	12	A426-000000	TERMINAL,SPARKPLUG	6
125338-13930	PIN, METERING ARM	10	900253-04008	SCREW 4*8	16	A427-000000	CAP,SPARK PLUG	6
125339-13930	SCREW	10	900253-04010	SCREW, TAPPING	4	A472-000091	CASE,SWITCH	16
125348-13930	SCREW	10	900253-04012	SCREW, TAPPING	4	A506-000460	REEL,ROPE	14
125363-12820	RETAINER	10	900253-04012	SCREW	16	A507-000110	CATCHER,PAWL	14
125378-13930	PIECE, FRICTION	10	900253-04012	SCREW, TAPPING	18	A514-000020	PAWL	6
131300-56431	VENT ASSEMBLY, FUEL	4	900253-04016	SCREW 4*16	12	A551-000010	PLATE,CLUTCH	18
132115-01461	GROMMET	2	900253-04016	SCREW 4*16	16	A552-000020	HUB,CLUTCH	18
132115-44330	GROMMET	4	900253-05020	SCREW, TAPPING	4	C022-000020	AUTO-OILER ASSEMBLY	2
150117-16430	SPACER	6	900253-05020	SCREW 5*20	16	C022-000020	AUTO-OILER ASSEMBLY	22
156110-04920	BUSHING	6	900256-04016	SCREW 4*16	14	C300-000242	GUARD,SPROCKET	18
163400-38430	SWITCH, IGNITION	16	900330-30260	ROLLER	18	C304-000000	SPIKE	4
163911-30130	PLUG	4	900345-40025	PIN, SPRING 4*25SUS	16	C305-000080	PLATE,SPROCKET GUARD	4
175005-39133	DRUM, CLUTCH	18	900515-00008	NUT, FLANGE 8	6	C305-000091	PLATE,SPROCKET GUARD	18
175007-39233	DRUM, CLUTCH 1/4	18	900562-50005	NUT, LOCK	18	C309-000030	TENSIONER,CHAIN	18
177234-35430	SPRING, RETURN	6	900603-00005	WASHER 5	6	C320-000047	LEVER,BRAKE	18
177236-61830	SCREW	14	900720-00018	O-RING	4	C328-000030	BAND,BRAKE	18
177247-04630	SPACER, RATCHET	6	900724-00004	O-RING	4	C334-000070	CONNECTOR,BRAKE	18
178090-37930	LOCKOUT, T. CONTROL	16	91318-05032	SCREW	18	C345-000084	COVER,BRAKE	18
430211-13432	BAR,GUIDE 40RC50-3/8	24	92505-10200	O-RING	8	C400-000321	HANDLE,FRONT	16
430219-38732	BAR, GUIDE 35RC503/8	24	93050-30098	ROLLER	18	C410-000253	HANDLE,REAR	16
431611-10030	CHAIN, SAW 25AP-68E	24	94035-36201	BEARING BALL	2	C411-000001	LID,HANDLE	16
431612-10030	CHAIN, SAW 25AP-76E	24	A021-004400	CARBURETOR, DIAPHRAGM	8	C450-000141	TRIGGER,THROTTLE	16
433019-03933	NUT, FLANGE 6	18	A021-004400	CARBURETOR, DIAPHRAGM	10	C454-000110	ROD, THROTTLE	16
433026-35430	CATCHER, CHAIN	4	A051-003010	STARTER,RECOIL ASY	14	C617-000200	STOPPER	16

NUMERICAL PARTS INDEX

Part No	Part description	Page	Part No	Part description	Page	Part No	Part description	Page
P003-001370	NEEDLE-ADJ	22	V104-001980	GASKET,EXHAUST	12	V582-000020	RING,SNAP	8
P003-002180	PIN, SPRING	22	V130-000010	GROMMET,CHOKE	16	V651-000001	GEAR,BEVEL	18
P005-000790	SPRING,THRT.RETURN	10	V137-000000	GROMMET,FUEL	4	V651-000011	GEAR,BEVEL	18
P005-000860	SCREEN, FUEL INLET	10	V142-000020	GROMMET,DUST	16	V652-000030	GEAR,WORM	2
P005-001110	DIAPHRAGM, PUMP	10	V186-000510	JOINT,PIPE	4	X102-000070	BAR,GUIDE 30	24
P005-002370	NEEDLE, HIGH SPEED	10	V202-000020	BOLT,4	4	X103-000110	BAR,GUIDE 35	24
P005-002380	NEEDLE, IDLE	10	V202-000020	BOLT,4	16	X122-000072	BAR,GUIDE 30	24
P005-002390	SHAFT, CHOKE	10	V203-000041	BOLT,5	18	X123-000132	BAR,GUIDE 35	24
P005-002400	PLUG, WELCH	10	V203-000080	BOLT,5	6	X202-000010	CHAIN,SAW	24
P005-003050	LEVER, CHOKE	10	V224-000031	BOLT,STUD 6	4	X203-000000	CHAIN,SAW	24
P005-003180	COVER, PUMP	10	V308-000030	WASHER,CIRCULAR 11	2	X222-000130	CHAIN,SAW	24
P005-003190	DIAPHRAGM ,METERING	10	V341-000040	WASHER,SQUARE	4	X222-000140	CHAIN,SAW	24
P005-003200	GASKET, METERING	10	V351-000000	COLLAR,3	8	X223-000080	CHAIN,SAW	24
P005-003210	COVER, METERING	10	V353-000060	COLLAR,5	18	X223-000130	CHAIN,SAW	24
P005-003220	SCREW	10	V355-000140	COLLAR,8	18	X224-000030	CHAIN,SAW	24
P005-003590	NOZZLE, CHECK VALVE	10	V356-000290	COLLAR,10	2	X224-000070	CHAIN,SAW	24
P005-003600	SHAFT ASY,THROTTLE	10	V359-000060	COLLAR,16	8	X490-000510	SCABBARD,CHAIN	20
P005-003610	LEVER, THROTTLE	10	V376-000450	SPACER	18	X502-000340	LABEL,ECHO	18
P005-003620	VALVE, THROTTLE	10	V400-000070	CUSHION,4	16	X502-000410	LABEL,ECHO	14
P005-003630	COLLAR	10	V401-000120	CUSHION,5	16	X503-013170	LABEL,MODEL	8
P005-003640	VALVE, CHOKE	10	V420-001110	CUSHION	4	X505-000181	LABEL,CAUTION	14
P005-003650	SPRING, CHOKE RETURN	10	V424-000000	SLEEVE,CUSHION	16	X505-007710	LABEL,CAUTION	12
P005-003660	SPRING	10	V450-000070	SPRING,COMPRESSION	18			
P005-003670	PLUNGER	10	V451-000470	SPRING,TENSION	18			
P005-003680	O-RING	10	V452-000110	SPRING,TORSION	18			
P005-003690	PLUG	10	V452-000260	SPRING,TORSION	16			
P021-005581	CAP ASY	4	V452-001320	SPRING,TORSION	14			
P021-005810	CLUTCH SHOE SET	18	V470-000321	PIPE	4			
P021-008741	DUSTCOVER SET	4	V470-000482	PIPE	8			
P021-010890	AUTO-OILER ASY	2	V471-000740	PIPE	2			
P021-038080	FUEL CAP ASY	4	V471-000750	PIPE	4			
P021-039160	CRANKSHAFT ASY	2	V471-000760	PIPE	2			
P021-040641	COVER,ENGINE KIT	4	V471-001290	PIPE	4			
P021-045440	PISTON KIT	2	V471-001440	PIPE	4			
P021-048570	CRANKCASE SET	2	V475-002390	TUBE	6			
P021-048610	COIL, IGNITION	6	V475-007430	TUBE	6			
P021-048620	BRAKE,ASM CHAIN	18	V485-000550	LEAD	6			
P022-001330	SPRING KIT, REWIND	14	V485-000560	LEAD	16			
P022-005891	GRIP, STARTER	14	V485-000571	LEAD	16			
P022-008440	ROPE, STARTER	14	V490-001230	CLIP	2			
P022-033280	SPRING CASE	14	V490-001240	CLIP	4			
P022-039160	CASE,STARTER	14	V505-000011	SEAL,OIL 12	2			
V103-001510	GASKET,INTAKE	8	V553-000130	BEARING,NEEDLE 8	2			
V104-001960	GASKET,EXHAUST	12	V555-000170	BEARING,NEEDLE 10	18			
			V581-000590	RING,O	4			