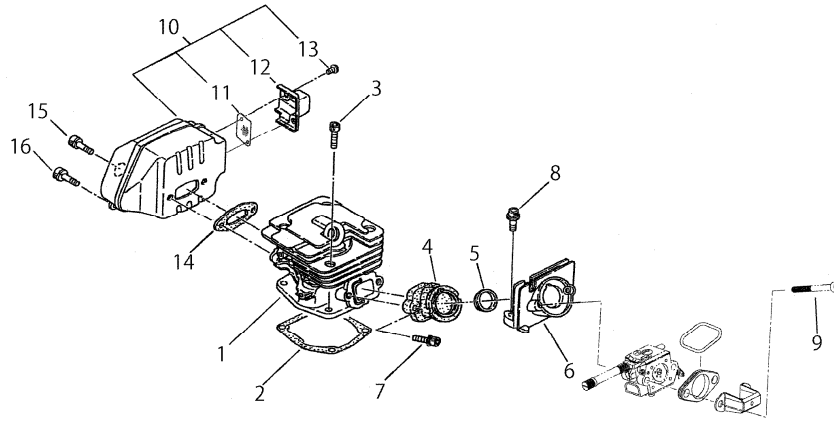


**shindaiwa<sup>®</sup>**

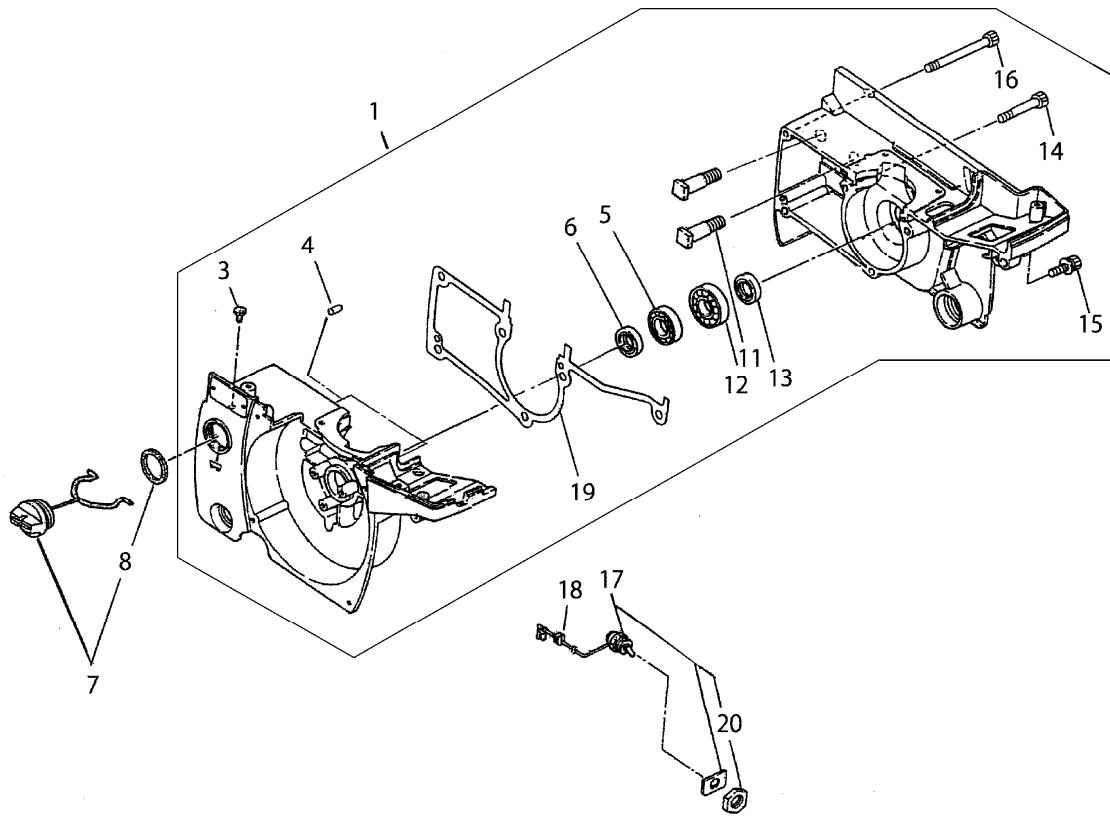
**PARTS CATALOG**

**CHAIN SAW**

**352S(24)**



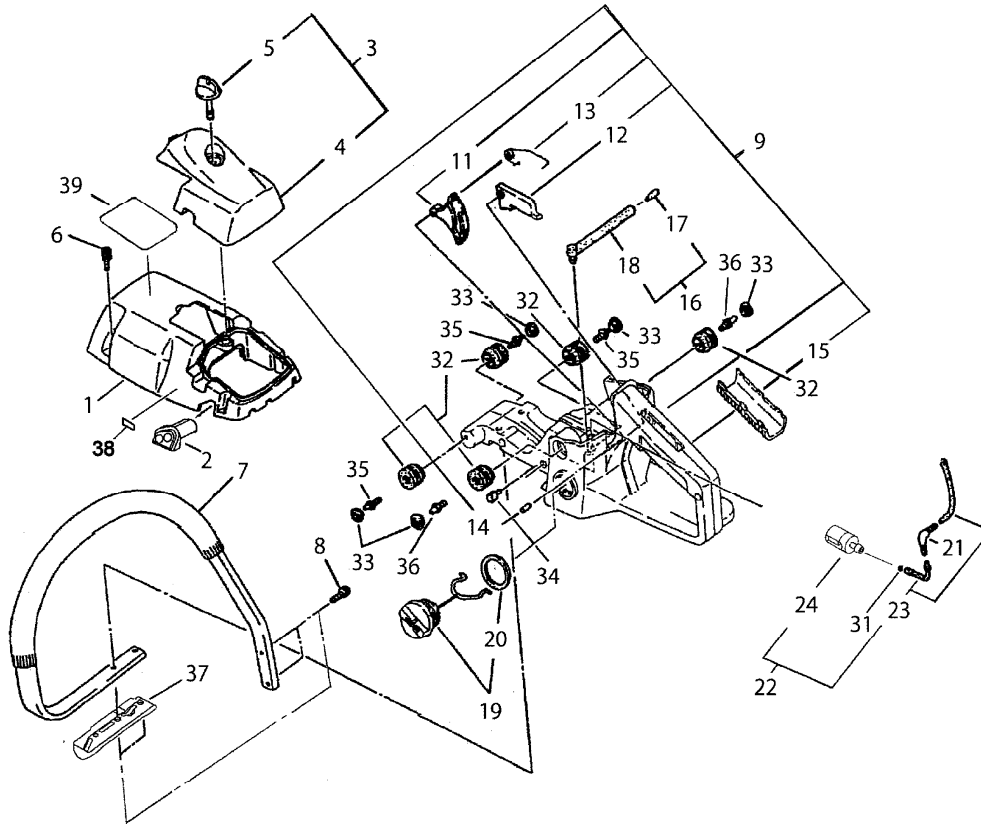
KEY	LV	PART NUMBER	Q'TY	DESCRIPTION	REMARKS
1		A130-001530	1	CYLINDER	
2		V100-000500	1	GASKET CYLINDER	
3		V203-001200	4	BOLT	
4		A202-000110	1	BOOT	
5		V359-000200	1	COLLAR	
6		A200-000780	1	BRACKET	
7		V202-000390	2	BOLT ADHEISIVE	
8		V202-000520	2	BOLT,4	
9		V203-001190	2	BOLT ADHESIVE	
10		A030-000380	1	MUFFLER SUB ASSY	
11	+	A310-000290	1	SCREEN	
12	+	A313-001490	1	TAIL PLATE	
13	+	91578-04006	2	SCREW	
14		V104-001560	1	GASKET MUFFLER	
15		91122-05016	2	BOLT	
16		V203-001420	2	BOLT ADHESIVE	



KEY	LV	PART NUMBER	Q'TY	DESCRIPTION	REMARKS
1		P021-043390	1	CRANKCASE SET	
3	+	A356-000130	1	VALVE,CHECK	
4	+	900330-40080	2	PIN F 4*8	
5	+	V592-000310	1	BEARING, BALL	
6	+	V505-000140	1	SEAL,OIL	
11	+	V225-000130	2	BOLT BAR	
12	+	V592-000330	1	BEARING, BALL	
13	+	V505-000140	1	SEAL,OIL	
14	+	V203-000370	3	BOLT ADHESIVE	
15	+	V203-001230	1	BOLT ADHESIVE	
16	+	V203-001240	2	BOLT ADHESIVE	
19	+	V102-000120	1	GASKET CASE	
7		C020-000030	1	CAP,OIL	
8	+	V106-000080	1	GASKET CAP	
17		A045-000430	1	SWITCH ASSY	
18	+	V136-000110	1	GROMMET	
20	+	V266-000090	1	NUT,10	

# 352S(24)

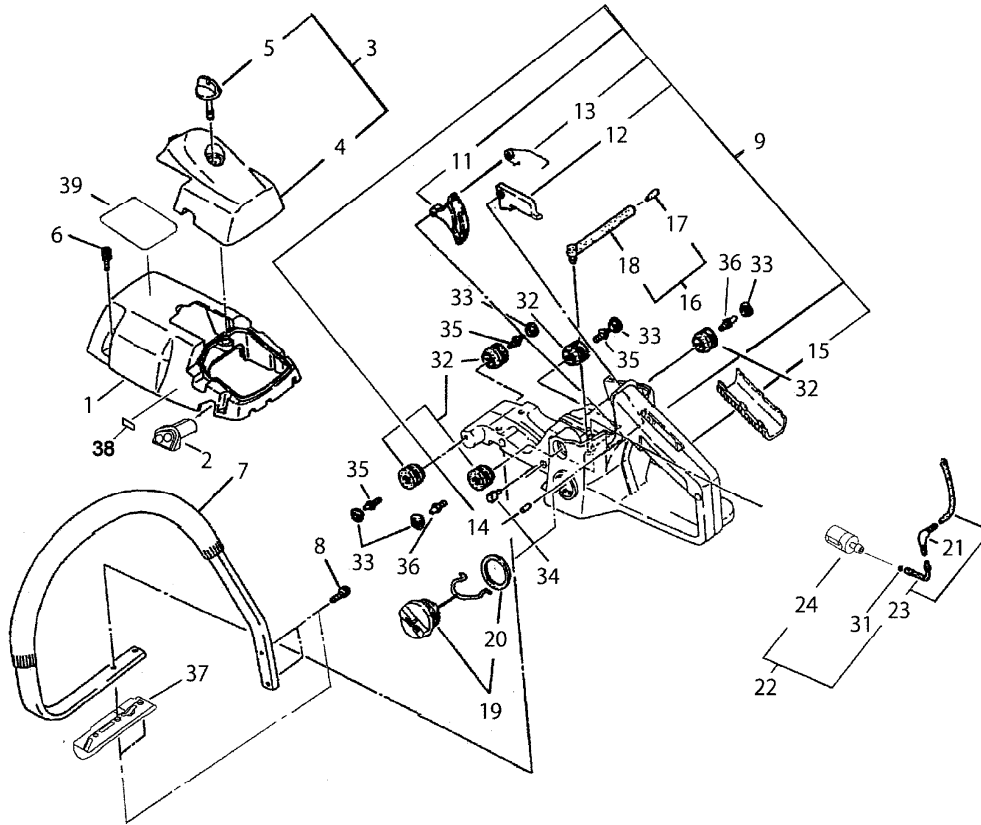
# 3 HANDLE



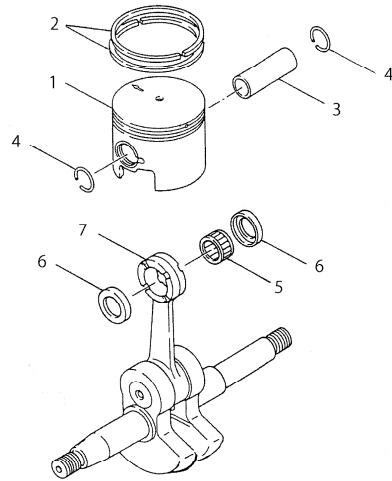
KEY	LV	PART NUMBER	Q'TY	DESCRIPTION	REMARKS
1		A160-001880	1	CYLINDER COVER	
2		V131-000050	1	GROMMET	
3		A232-000960	1	CLEANER BODY	
4	+	A232-000950	1	CLEANER COVER	
5	+	A235-000280	1	KNOB CLEANER COVER	
6		V202-000470	3	BOLT ADHESIVE	
7		C040-000460	1	FRONT HANDLE	
8		V202-000400	4	BOLT TAPPING	
9		C041-000170	1	REAR HANDLE SUB ASSY	
11	+	C450-000600	1	THROTTLE LEVER	
12	+	C460-000260	1	LOCK LEVER	
13	+	V452-000720	1	COIL SPRING	
14	+	93060-40250	2	PIN, SPRING	
15	+	C412-000560	1	GRIP	
16		A356-000110	1	BREATHER ASSY	
17	+	A356-000120	1	ELEMENT	
18	+	V470-001240	1	PIPE	
19		A033-000350	1	CAP,FUEL	
20	+	V107-000060	1	GASKET	
21		V186-000280	1	JOINT	
22		V470-001251	1	PIPE	
23	+	V470-001260	1	FUEL PIPE	
24	+	131205-19832	1	STRAINER, FUEL	
31	+	V490-000500	1	CLIP	
32		V401-000240	5	CUSHION 22	
33		V421-000010	5	PLUG 22	

# 352S(24)

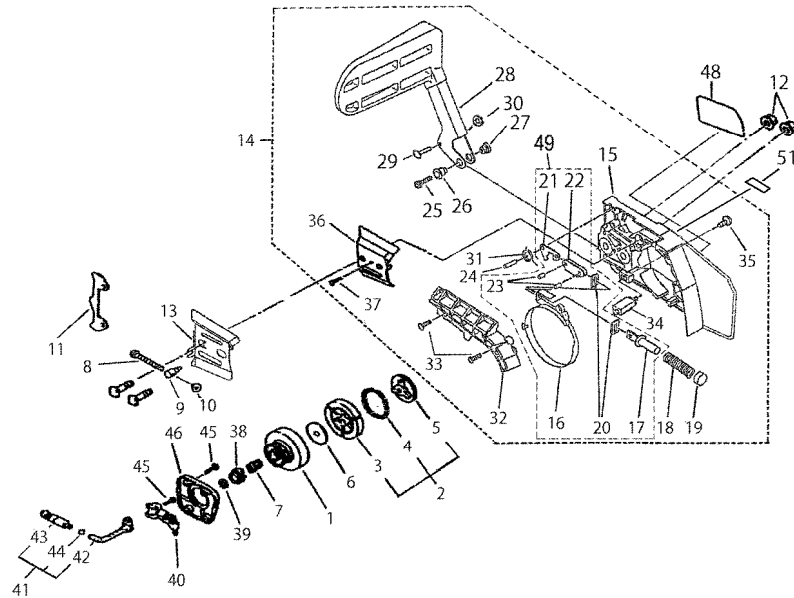
# 3 HANDLE



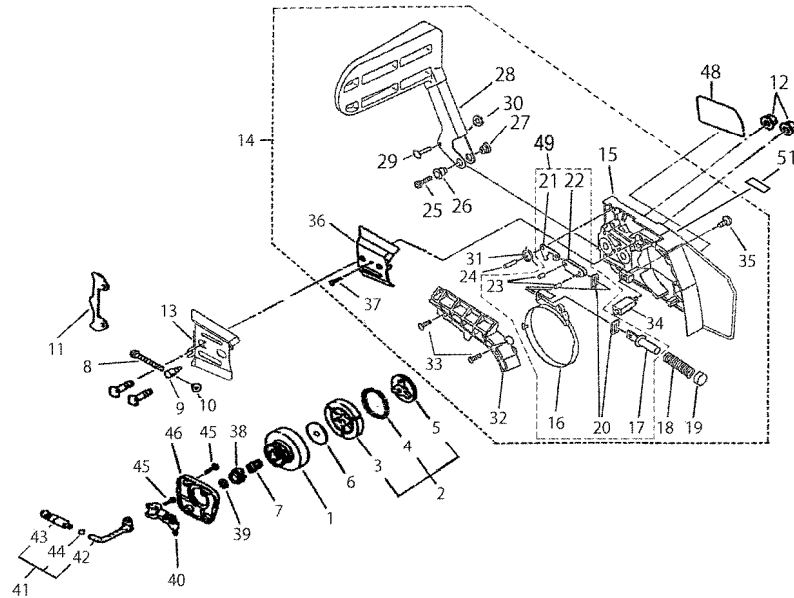
KEY	LV	PART NUMBER	Q'TY	DESCRIPTION	REMARKS
34		V420-002660	1	SUPPORTER	
35		V203-001380	3	BOLT HILO	
36		V203-001250	2	STOP BOLT 22	
37		A175-000230	1	STAND	
38		X532-001140	1	LABEL INST	
39		890345-39230	1	LABEL, CAUTION	



KEY	LV	PART NUMBER	Q'TY	DESCRIPTION	REMARKS
1		A100-000800	1	PISTON	
2		A101-000470	2	PISTON RING	
3		V608-000060	1	PISTON PIN	
4		V580-000110	2	SNAP RING	
5		V555-000090	1	NEEDLE BEARING	
6		V307-000260	2	THRUST WASHER	
7		A011-000940	1	CRANK SHAFT ASSY	

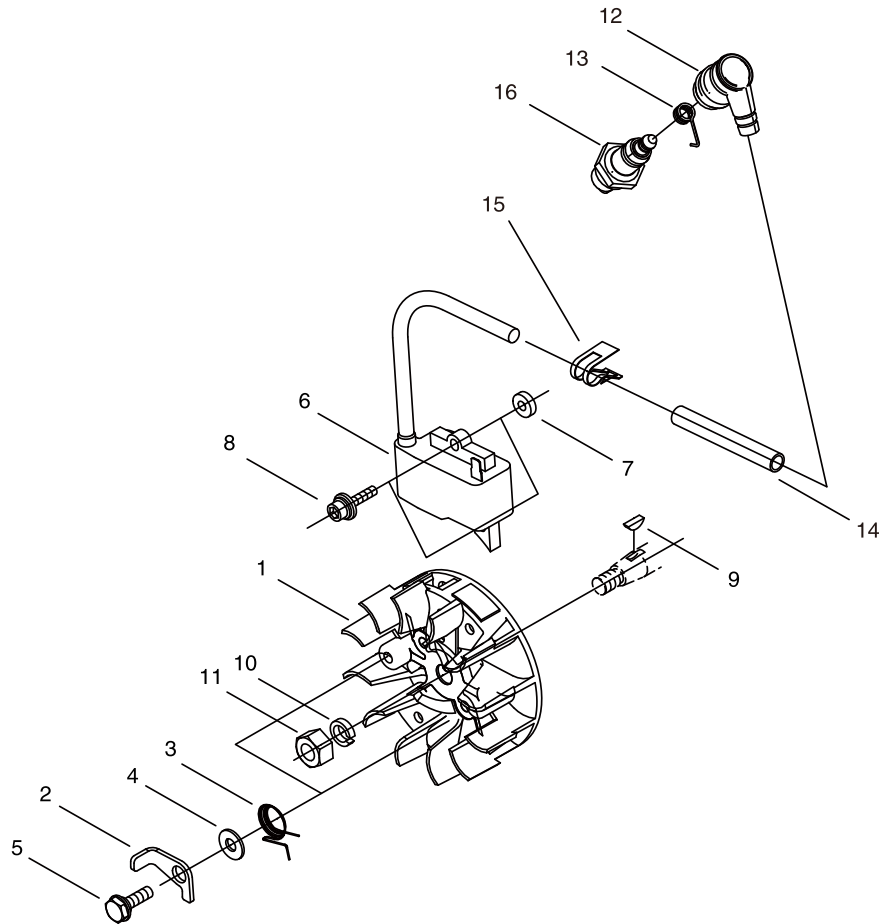


KEY	LV	PART NUMBER	Q'TY	DESCRIPTION	REMARKS
1		A556-000970	1	CLUTCH DRUM	
2		A056-000550	1	CLUTCH ASSY	
3	+	A555-000160	3	CLUTCH SHOE	
4	+	V451-000890	1	CLUTCH SPRING	
5	+	A552-000150	1	CLUTCH BOSS B	
6		A552-000160	1	CLUTCH BOSS A	
7		V555-000110	1	BEARING,NEEDLE 10	
8		V253-000590	1	SLIDE SCREW	
9		C309-000110	1	TENSIONER,CHAIN	
10		V260-000020	1	PUSH NUT	
11		C304-000090	1	SPIKE	
12		V265-000200	2	NUT	
13		C305-000120	1	GUIDE PLATE	
14		P021-029760	1	CLUTCH COVER ASSY	
15	+	C300-000500	1	CLUTCH COVER	
49	+	P021-026130	1	BRAKE BAND COMP	
16	++	C328-000130	1	BRAKE BAND	
17	++	C334-000130	1	HOLDER SPRING	
20	++	C329-000020	2	ADJUST PLATE	
21	++	C334-000140	1	INNER LEVER	
22	++	C334-000150	1	TIE STRAP	
23	++	900330-40080	2	PIN F 4*8	
18	+	V450-001040	1	BRAKE SPRING	
19	+	V456-000170	1	STOPPER	
24	+	93050-40138	1	ROLLER	
25	+	900105-04012	1	BOLT, H.S. 4*12	

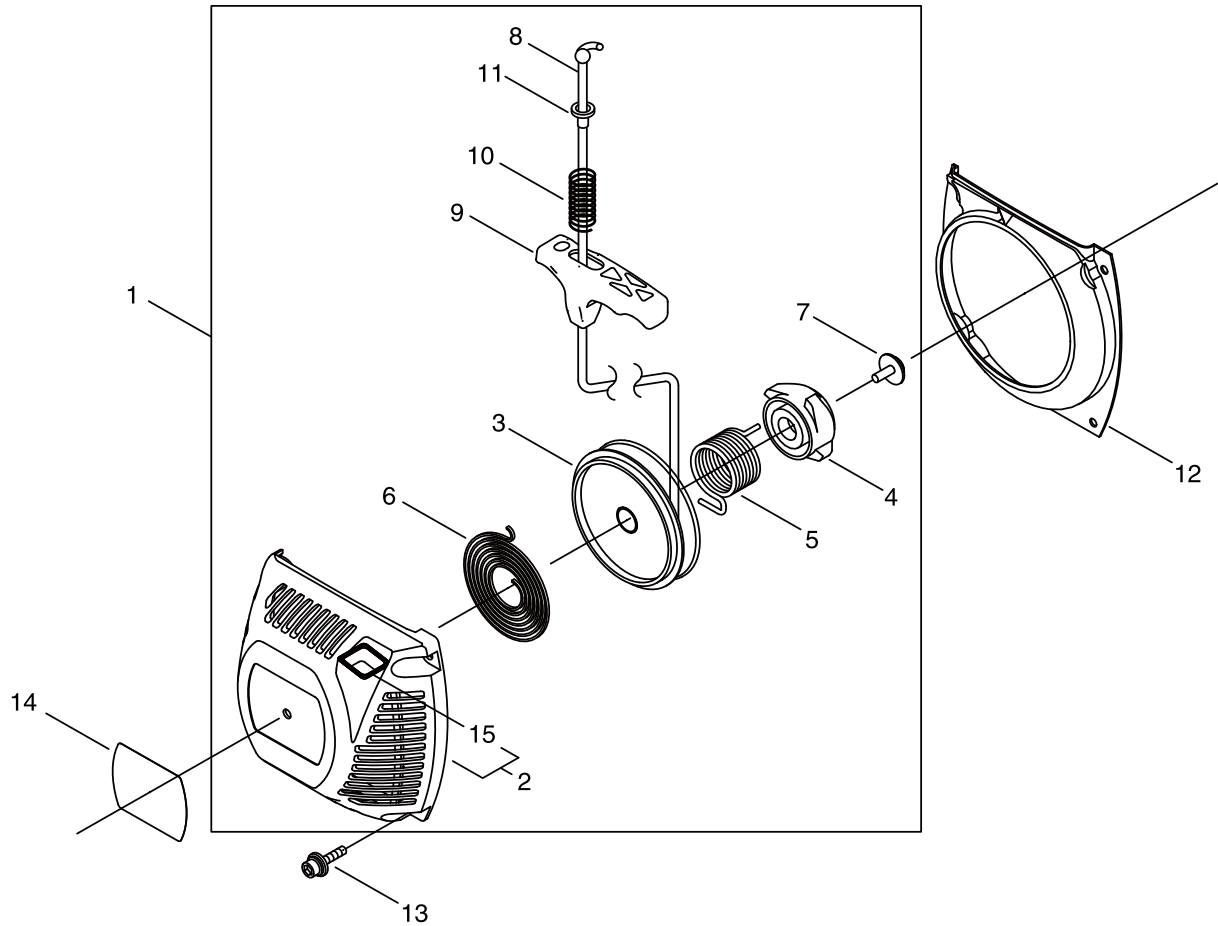


KEY	LV	PART NUMBER	Q'TY	DESCRIPTION	REMARKS
26	+	V352-000160	1	HOLDER	
27	+	V262-000140	1	NUT LEVER	
28	+	C320-000200	1	LEVER	
29	+	V641-000160	1	PIN LEVER	
30	+	V262-000150	1	NUT	
31	+	V452-000900	1	SPRING LEVER	
32	+	C345-000370	1	COVER	
33	+	91374-04012	2	SCREW TAPPING	
34	+	C310-000040	1	CHAIN CATCHER	
35	+	91439-03010	1	SCREW TRUSS T	
36	+	C305-000130	1	GUIDE PLATE B	
37	+	91374-04008	1	SCREW TAPPING	
38		V652-000170	1	GEAR	
39		V307-000330	1	THRUST PLATE	
40		C022-000121	1	AUTO-OILER ASSEMBLY	
41		C021-000000	1	OIL PIPE ASSY	
42	+	V470-001280	1	OIL PIPE	
43	+	C209-000050	1	OIL FILTER	
44	+	V490-000720	1	CLIP OIL	
45		V252-000890	6	SCREW,4	
46		C236-000020	1	PUMP COVER	
48		X504-003360	1	LABEL TRADE	
51		X532-001130	1	LABEL INST	

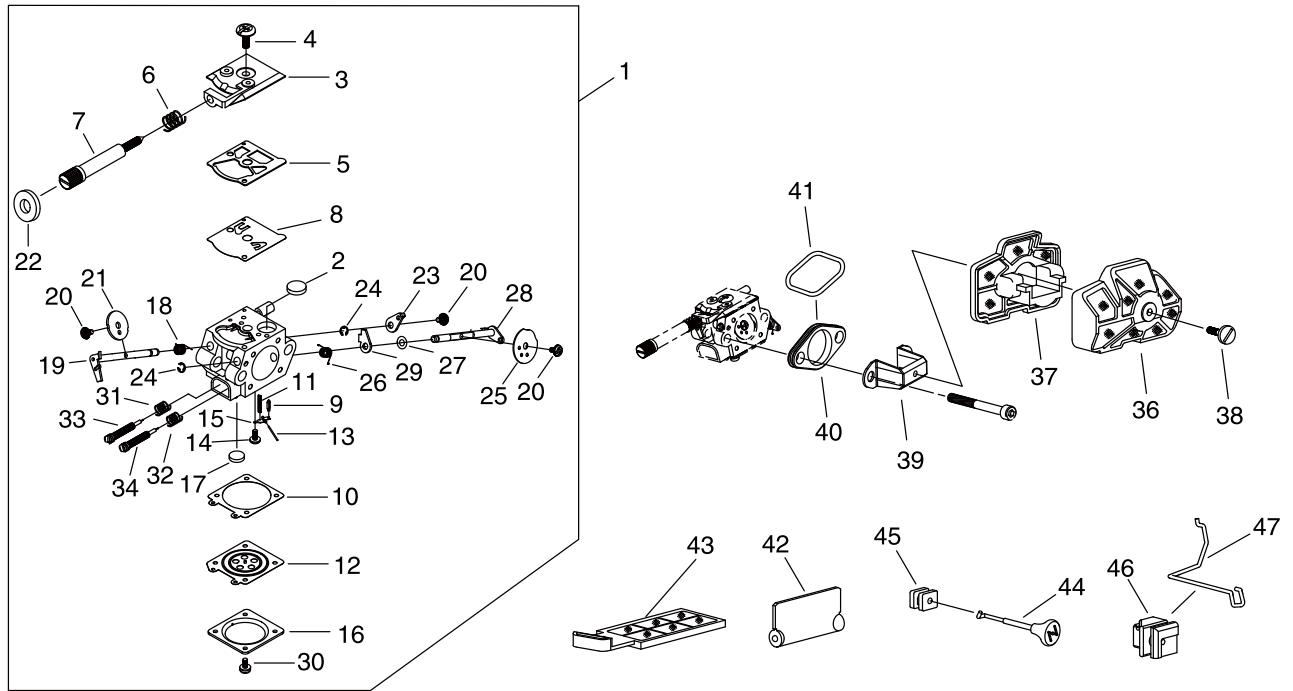




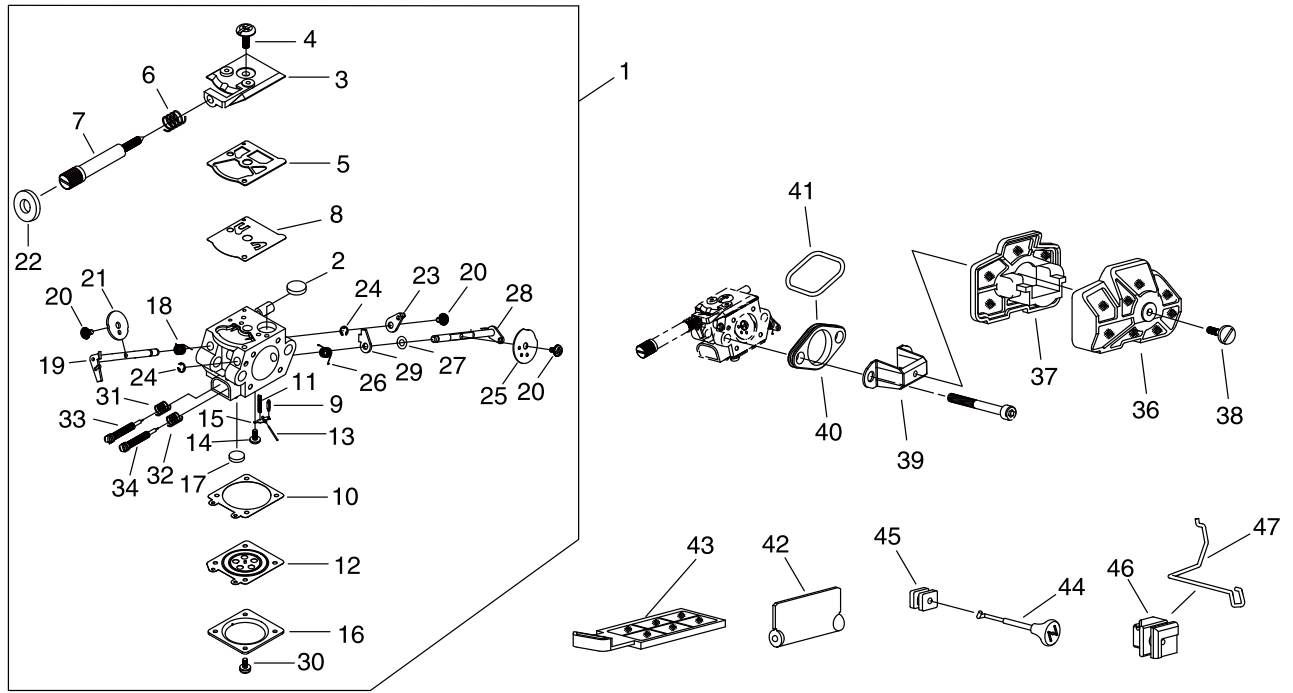
KEY	LV	PART NUMBER	Q'TY	DESCRIPTION	REMARKS
1		A409-000750	1	ROTOR	
2		A514-000220	2	PAWL	
3		V452-000870	2	SPRING,TORSION	
4		V304-000270	2	WASHER,CIRCULAR 6	
5		V204-000620	2	BOLT	
6		A411-000900	1	COIL ASSY	
7		V375-000360	2	INSULATOR	
8		V202-000431	2	BOLT,4	
9		93115-03010	1	KEY	
10		900605-00008	1	WASHER, SPRING 8	
11		V265-000180	1	NUT	
12		A427-000060	1	CAP,SPARK PLUG	
13		A426-000040	1	TERMINAL,SPARKPLUG	
14		V475-005180	1	TUBE	
15		V490-000700	1	CLIP	
16		159010-10230	1	PLUG, SPARK (BPMR-7A)	



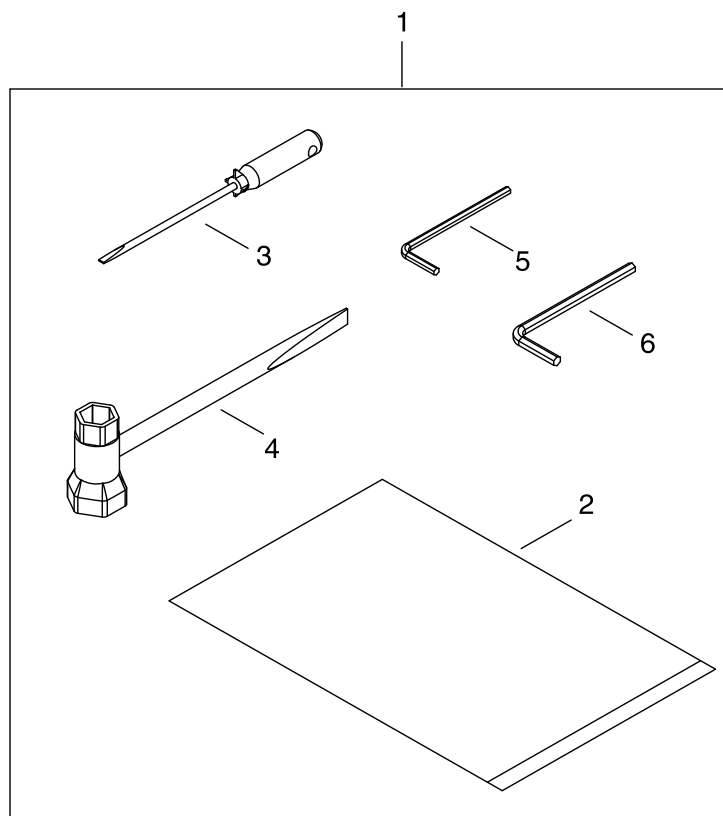
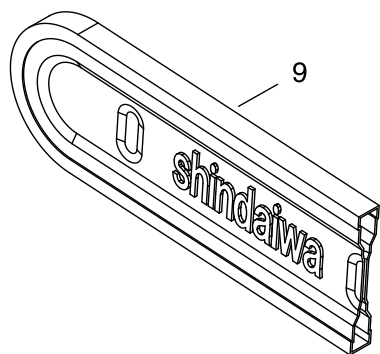
KEY	LV	PART NUMBER	Q'TY	DESCRIPTION	REMARKS
1		A051-001870	1	RECOIL STARTER ASSY	
2	+	P022-025020	1	STARTER CASE	
15	++	A510-000130	1	GUIDE,ROPE	
3	+	A506-000390	1	REEL	
4	+	A507-000050	1	CATCHER,PAWL	
5	+	V452-000730	1	COIL SPRING	
6	+	A504-000220	1	SPRING,RECOIL	
7	+	V253-000640	1	SCREW	
8	+	A509-000380	1	ROPE	
9	+	A511-000230	1	NOB	
10	+	V450-001170	1	SPRING,COMPRESSION	
11	+	V376-001400	1	SPACER	
12		A172-001380	1	AIR PLATE	
13		V202-000410	4	BOLT ADHESIVE	
14		X504-003370	1	LABEL TRADE	



KEY	LV	PART NUMBER	Q'TY	DESCRIPTION	REMARKS
1		P021-037730	1	CARBURETOR,DIAPHRAGM	
2	+	123126-10631	1	SCREEN, INLET	
3	+	P003-001380	1	COVER, FUEL PUMP	
4	+	123110-03930	1	SCREW, PUMP COVER	
5	+	123125-15030	1	GASKET, FUEL PUMP	
6	+	123121-22130	1	SPRING, NEEDLE	
7	+	P003-003030	1	IDLE SCREW	
8	+	123112-15030	1	DIAPHRAGM, FUEL PUMP	
9	+	123137-19830	1	VALVE, INLET NEEDLE	
10	+	123140-03930	1	GASKET, M. DIAPHRAGM	
11	+	123122-03660	1	SPRING, METER. LEVER	
12	+	123141-03930	1	DIAPHRAGM, METERING	
13	+	123138-03930	1	PIN, METERING LEVER	
14	+	123139-03930	1	SCREW, M. LEVER PIN	
15	+	123123-03930	1	LEVER, METERING	
16	+	123142-03930	1	COVER, M. DIAPHRAGM	
17	+	123146-10631	1	PLUG, WELCH	
18	+	123113-37530	1	SPRING, THROTTLE RTN	
19	+	P003-000120	1	SHAFT, THROTTLE	
20	+	123114-38830	3	SCREW	
21	+	123116-10530	1	VALVE, THROTTLE	
22	+	V540-000290	1	SEAL COLLAR	
23	+	P003-003180	1	THROTTLE LEVER	
24	+	123127-15030	2	RING	
25	+	P003-003350	1	CHOKE VALVE	
26	+	P003-000140	1	SPRING	



KEY	LV	PART NUMBER	Q'TY	DESCRIPTION	REMARKS
27	+	123149-26030	1	WASHER	
28	+	P003-003190	1	SHAFT	
29	+	P003-000430	1	LEVER-FAST IDLE	
30	+	123130-02960	4	SCREW	
31	+	123133-04260	1	SPRING, IDLE ADJUST	
32	+	123119-22130	1	SPRING, NEEDLE	
33	+	P003-001330	1	NEEDLE IDLE	
34	+	123120-09560	1	NEEDLE, HIGH SPEED	
36		A226-000760	1	AIR CLEANER UPPER	
37		A226-000770	1	AIR CLEANER LOWER	
38		V252-000390	1	SCREW	
39		E617-000040	1	BRACKET	
40		A565-000030	1	BRACKET	
41		92508-02242	1	O RING	
42		A219-000010	1	SHUTTER	
43		A226-000780	1	AIR CLEANER	
44		A240-000030	1	CHOKE ROD	
45		V130-000060	1	GROMMET CHOKE	
46		V133-000000	1	GROMMET ROD	
47		C454-000200	1	THROTTLE ROD	



KEY	LV	PART NUMBER	Q'TY	DESCRIPTION	REMARKS
1		P021-031991	1	TOOL SET	
2	+	X705-000130	1	POLY BAG	
3	+	895812-03930	1	DRIVER, SCREW 50	
4	+	X602-000170	1	PLUG WRENCH	
5	+	X605-000090	1	HEXA WRENCH 4MM	
6	+	X605-000100	1	TOOL,L WRENCH	
9		X490-000300	1	CHAIN COVER	

<b>GUIDE BAR</b>		<b>CHAIN</b>	
<b>1A</b>	<b>35RX50B-3/8SD</b>	<b>1B</b>	<b>14" 91PX-52E</b>
<b>2A</b>	<b>40RX50B-3/8SD</b>	<b>2B</b>	<b>91PX-57E</b>

KEY	LV	PART NUMBER	Q'TY	DESCRIPTION	REMARKS
1A		X123-000380	1	BAR,GUIDE 35	
1B		X223-000070	1	CHAIN,SAW	
2A		X124-000440	1	BAR,GUIDE 40	
2B		X224-000080	1	CHAIN,SAW	

**Index**

<b>Patrs Number</b>	<b>Key No.</b>	<b>Patrs Number</b>	<b>Key No.</b>	<b>Patrs Number</b>	<b>Key No.</b>
123110-03930	8 - 4	A160-001880	3 - 1	C329-000020	5 - 20
123112-15030	8 - 8	A172-001380	7 - 12	C334-000130	5 - 17
123113-37530	8 - 18	A175-000230	3 - 37	C334-000140	5 - 21
123114-38830	8 - 20	A200-000780	1 - 6	C334-000150	5 - 22
123116-10530	8 - 21	A202-000110	1 - 4	C345-000370	5 - 32
123119-22130	8 - 32	A219-000010	8 - 42	C412-000560	3 - 15
123120-09560	8 - 34	A226-000760	8 - 36	C450-000600	3 - 11
123121-22130	8 - 6	A226-000770	8 - 37	C454-000200	8 - 47
123122-03660	8 - 11	A226-000780	8 - 43	C460-000260	3 - 12
123123-03930	8 - 15	A232-000950	3 - 4	E617-000040	8 - 39
123125-15030	8 - 5	A232-000960	3 - 3	P003-000120	8 - 19
123126-10631	8 - 2	A235-000280	3 - 5	P003-000140	8 - 26
123127-15030	8 - 24	A240-000030	8 - 44	P003-000430	8 - 29
123130-02960	8 - 30	A310-000290	1 - 11	P003-001330	8 - 33
123133-04260	8 - 31	A313-001490	1 - 12	P003-001380	8 - 3
123137-19830	8 - 9	A356-000110	3 - 16	P003-003030	8 - 7
123138-03930	8 - 13	A356-000120	3 - 17	P003-003180	8 - 23
123139-03930	8 - 14	A356-000130	2 - 3	P003-003190	8 - 28
123140-03930	8 - 10	A409-000750	6 - 1	P003-003350	8 - 25
123141-03930	8 - 12	A411-000900	6 - 6	P021-026130	5 - 49
123142-03930	8 - 16	A426-000040	6 - 13	P021-029760	5 - 14
123146-10631	8 - 17	A427-000060	6 - 12	P021-031991	9 - 1
123149-26030	8 - 27	A504-000220	7 - 6	P021-037730	8 - 1
131205-19832	3 - 24	A506-000390	7 - 3	P021-043390	2 - 1
159010-10230	6 - 16	A507-000050	7 - 4	P022-025020	7 - 2
890345-39230	3 - 39	A509-000380	7 - 8	V100-000500	1 - 2
895812-03930	9 - 3	A510-000130	7 - 15	V102-000120	2 - 19
900105-04012	5 - 25	A511-000230	7 - 9	V104-001560	1 - 14
900330-40080	2 - 4	A514-000220	6 - 2	V106-000080	2 - 8
900330-40080	5 - 23	A552-000150	5 - 5	V107-000060	3 - 20
900605-00008	6 - 10	A552-000160	5 - 6	V130-000060	8 - 45
91122-05016	1 - 15	A555-000160	5 - 3	V131-000050	3 - 2
91374-04008	5 - 37	A556-000970	5 - 1	V133-000000	8 - 46
91374-04012	5 - 33	A565-000030	8 - 40	V136-000110	2 - 18
91439-03010	5 - 35	C020-000030	2 - 7	V186-000280	3 - 21
91578-04006	1 - 13	C021-000000	5 - 41	V202-000390	1 - 7
92508-02242	8 - 41	C022-000121	5 - 40	V202-000400	3 - 8
93050-40138	5 - 24	C040-000460	3 - 7	V202-000410	7 - 13
93060-40250	3 - 14	C041-000170	3 - 9	V202-000431	6 - 8
93115-03010	6 - 9	C209-000050	5 - 43	V202-000470	3 - 6
A011-000940	4 - 7	C236-000020	5 - 46	V202-000520	1 - 8
A030-000380	1 - 10	C300-000500	5 - 15	V203-000370	2 - 14
A033-000350	3 - 19	C304-000090	5 - 11	V203-001190	1 - 9
A045-000430	2 - 17	C305-000120	5 - 13	V203-001200	1 - 3
A051-001870	7 - 1	C305-000130	5 - 36	V203-001230	2 - 15
A056-000550	5 - 2	C309-000110	5 - 9	V203-001240	2 - 16
A100-000800	4 - 1	C310-000040	5 - 34	V203-001250	3 - 36
A101-000470	4 - 2	C320-000200	5 - 28	V203-001380	3 - 35
A130-001530	1 - 1	C328-000130	5 - 16	V203-001420	1 - 16

**Index**

<b>Patrs Number</b>	<b>Key No.</b>	<b>Patrs Number</b>	<b>Key No.</b>	<b>Patrs Number</b>	<b>Key No.</b>
V204-000620	6 - 5	X123-000380	10 - 1A		
V225-000130	2 - 11	X124-000440	10 - 2A		
V252-000390	8 - 38	X223-000070	10 - 1B		
V252-000890	5 - 45	X224-000080	10 - 2B		
V253-000590	5 - 8	X490-000300	9 - 9		
V253-000640	7 - 7	X504-003360	5 - 48		
V260-000020	5 - 10	X504-003370	7 - 14		
V262-000140	5 - 27	X532-001130	5 - 51		
V262-000150	5 - 30	X532-001140	3 - 38		
V265-000180	6 - 11	X602-000170	9 - 4		
V265-000200	5 - 12	X605-000090	9 - 5		
V266-000090	2 - 20	X605-000100	9 - 6		
V304-000270	6 - 4	X705-000130	9 - 2		
V307-000260	4 - 6				
V307-000330	5 - 39				
V352-000160	5 - 26				
V359-000200	1 - 5				
V375-000360	6 - 7				
V376-001400	7 - 11				
V401-000240	3 - 32				
V420-002660	3 - 34				
V421-000010	3 - 33				
V450-001040	5 - 18				
V450-001170	7 - 10				
V451-000890	5 - 4				
V452-000720	3 - 13				
V452-000730	7 - 5				
V452-000870	6 - 3				
V452-000900	5 - 31				
V456-000170	5 - 19				
V470-001240	3 - 18				
V470-001251	3 - 22				
V470-001260	3 - 23				
V470-001280	5 - 42				
V475-005180	6 - 14				
V490-000500	3 - 31				
V490-000700	6 - 15				
V490-000720	5 - 44				
V505-000140	2 - 13				
V505-000140	2 - 6				
V540-000290	8 - 22				
V555-000090	4 - 5				
V555-000110	5 - 7				
V580-000110	4 - 4				
V592-000310	2 - 5				
V592-000330	2 - 12				
V608-000060	4 - 3				
V641-000160	5 - 29				
V652-000170	5 - 38				



# **YAMABIKO CORPORATION**

7-2 SUEHIROCHO 1-CHOME, OHME, TOKYO 198-8760, JAPAN  
PHONE: 81-428-32-6118. FAX: 81-428-32-6145.

**shindaiwa<sup>®</sup>**

12Lb  
No. 04-116