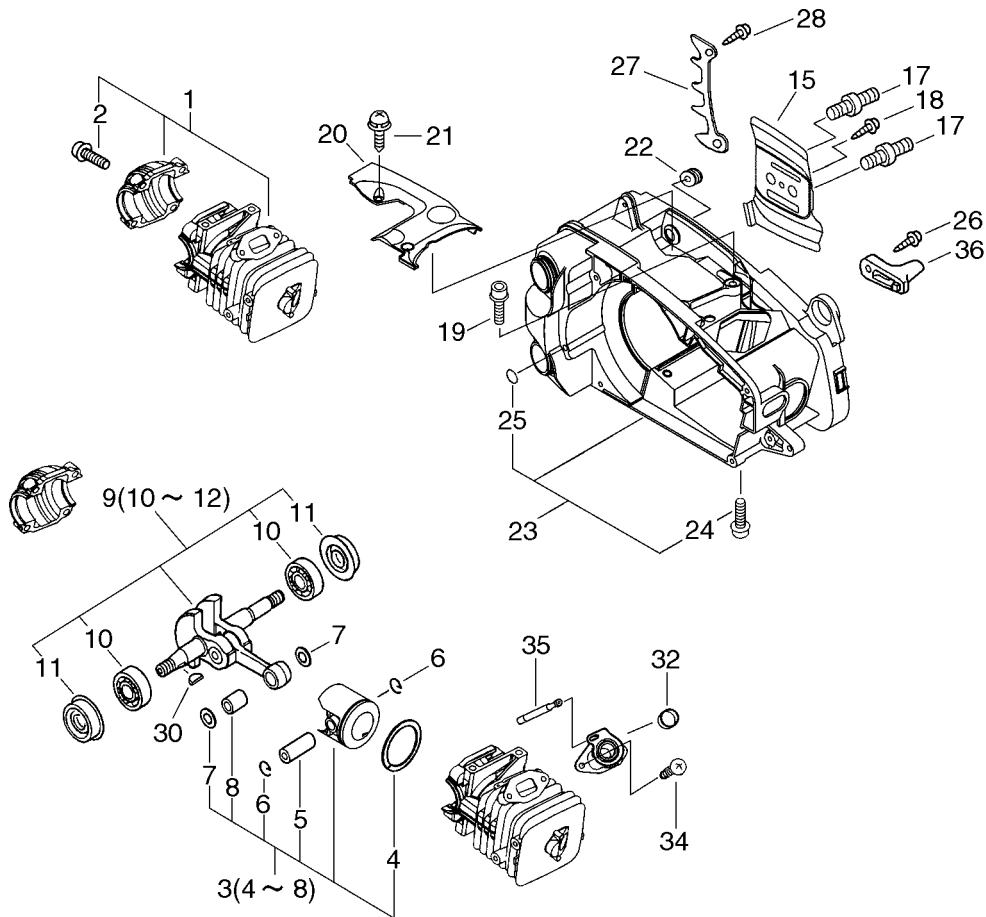


# **PARTS CATALOGUE**

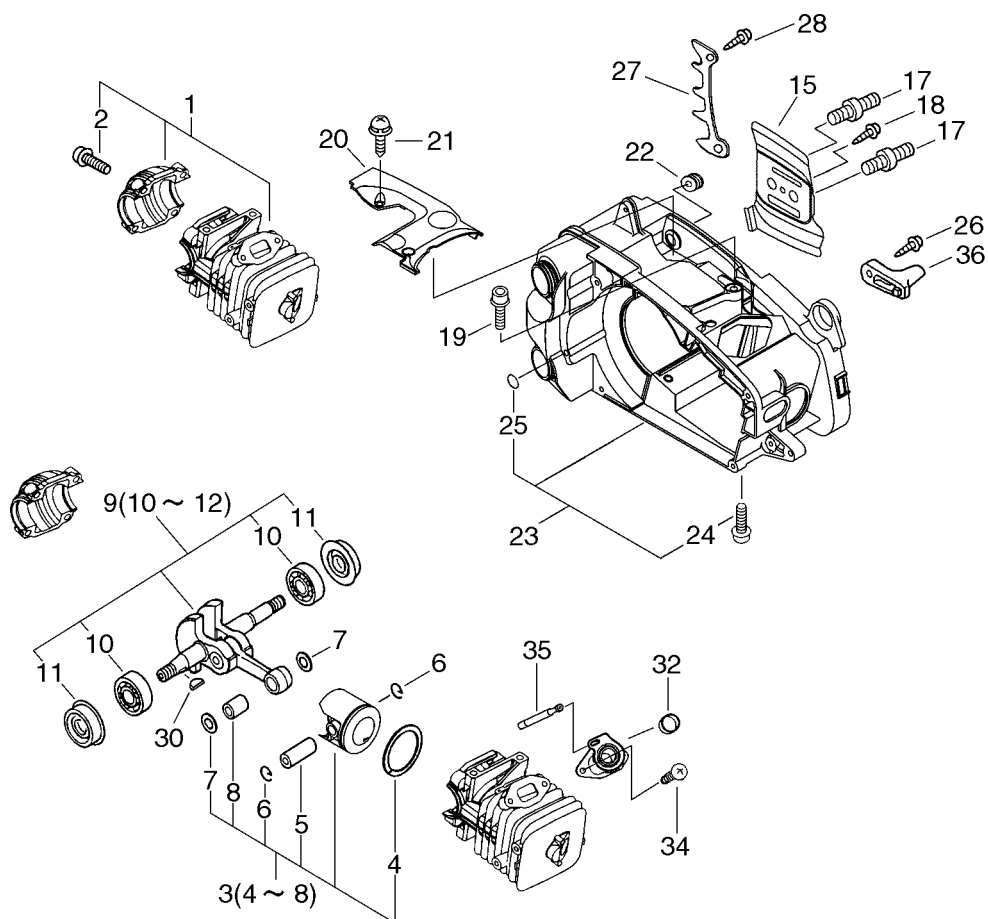
**CHAIN SAW**

**320Ts**

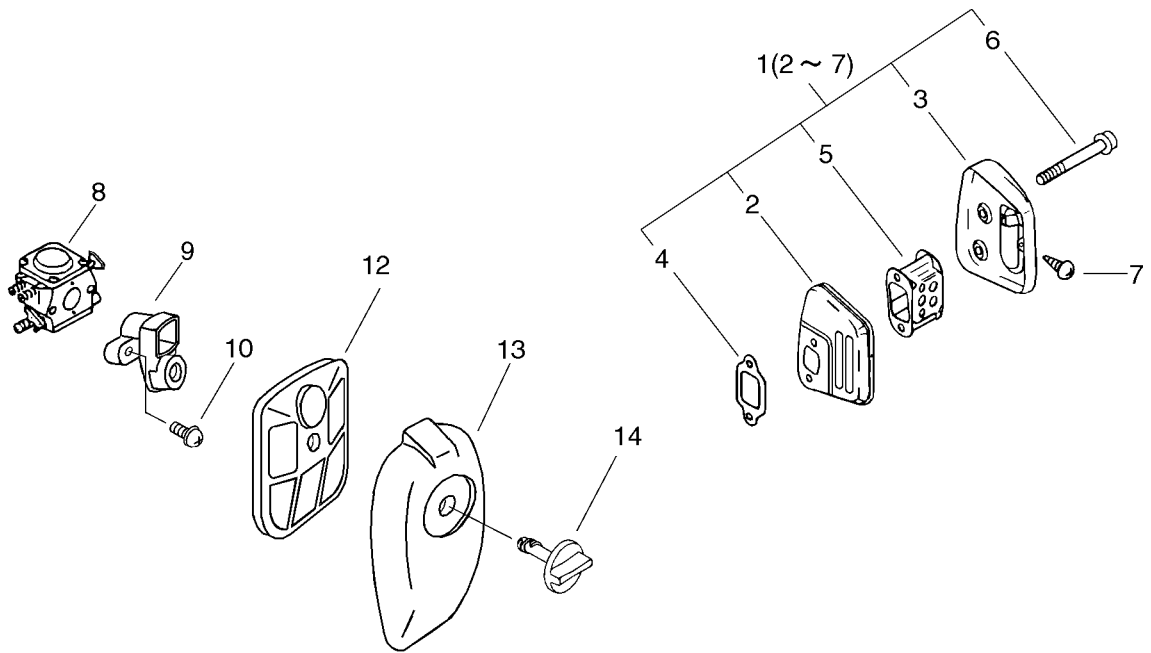
**CE**



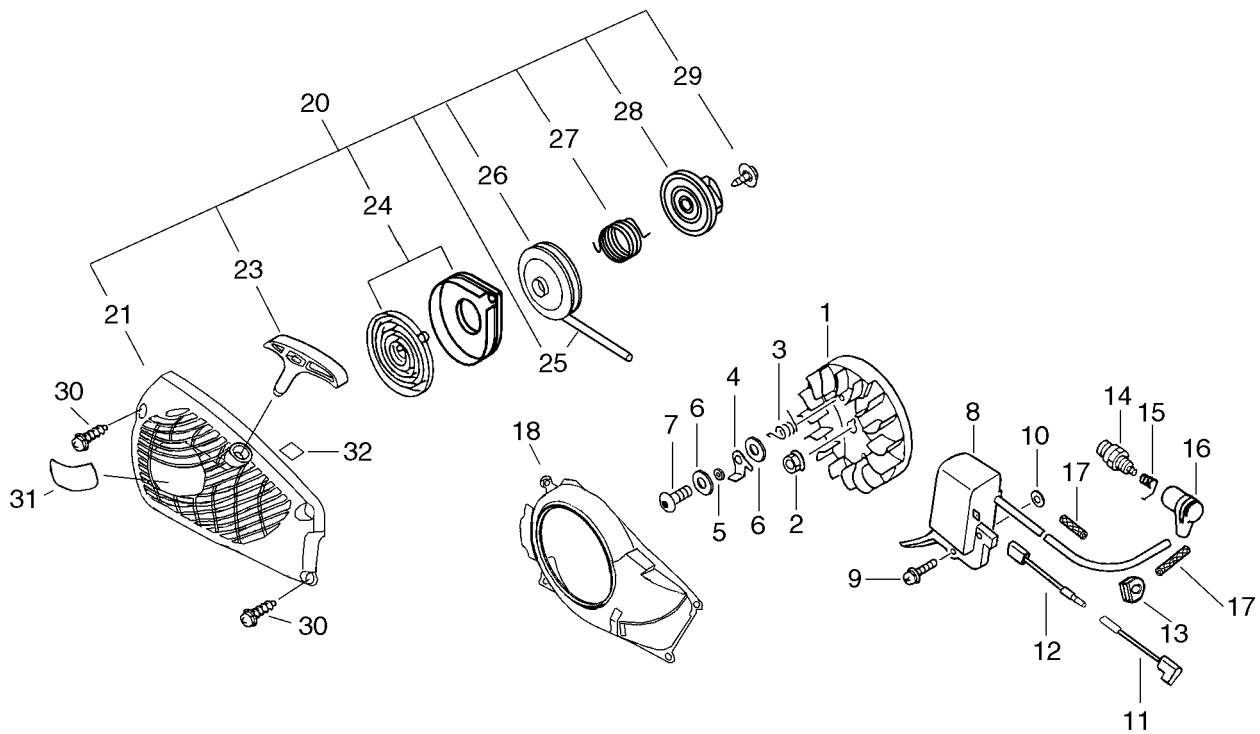
KEY	LV	PART NUMBER	Q'TY	DESCRIPTION	REMARKS
1		P021-005491	1	CRANKCASE SET	
2	+	900162-05025	4	BOLT, H.S. 5*25	
3		P021-005501	1	PISTON KIT	
4	+	100011-46430	1	RING, PISTON	
5	+	100013-15330	1	PIN, PISTON	
6	+	100015-04630	2	CIRCLIP, PISTON PIN	
7	+	100014-60930	2	SPACER, PISTON PIN	
8	+	V553-000040	1	BEARING, NEEDLE 8	
9		P021-010701	1	CRANKSHAFT ASY	
10	+	94035-36201	2	BEARING BALL	
11	+	V505-000010	2	SEAL, OIL 12	
15		C305-000080	1	PLATE, SPROCKET GUARD	
17		433011-03931	2	STUD, GUIDE BAR	
18		900253-04010	1	SCREW 4*10	
19		900106-05020	2	BOLT, H.S. 5*20	
20		A127-000200	1	COVER, DUST	
21		900253-04012	2	SCREW	
22		163911-30130	1	PLUG	
23		P021-008855	1	COVER ENGINE ASY	
24	+	900106-05030	2	BOLT, H.S.H. 5*30	
25	+	900724-00004	1	O-RING (S-4)	
26		900253-05020	1	SCREW 5*20	
27		C304-000000	1	SPIKE	
28		900253-05020	1	SCREW 5*20	



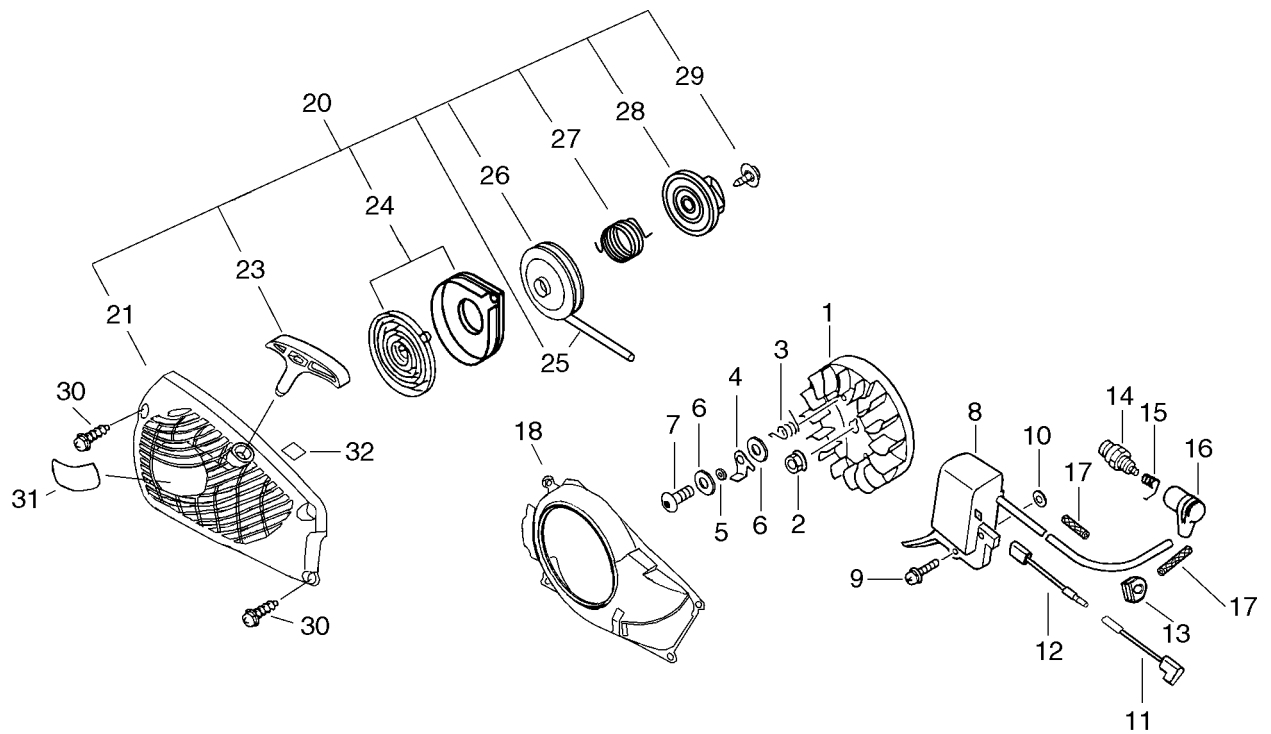
KEY	LV	PART NUMBER	Q'TY	DESCRIPTION	REMARKS
30		100142-12330	1	KEY, WOODRUFF	
32		V359-000060	1	COLLAR, 16	
34		900238-05012	2	SCREW 5*12	
35		V470-000481	1	PIPE	
36		433026-35430	1	CATCHER, CHAIN	



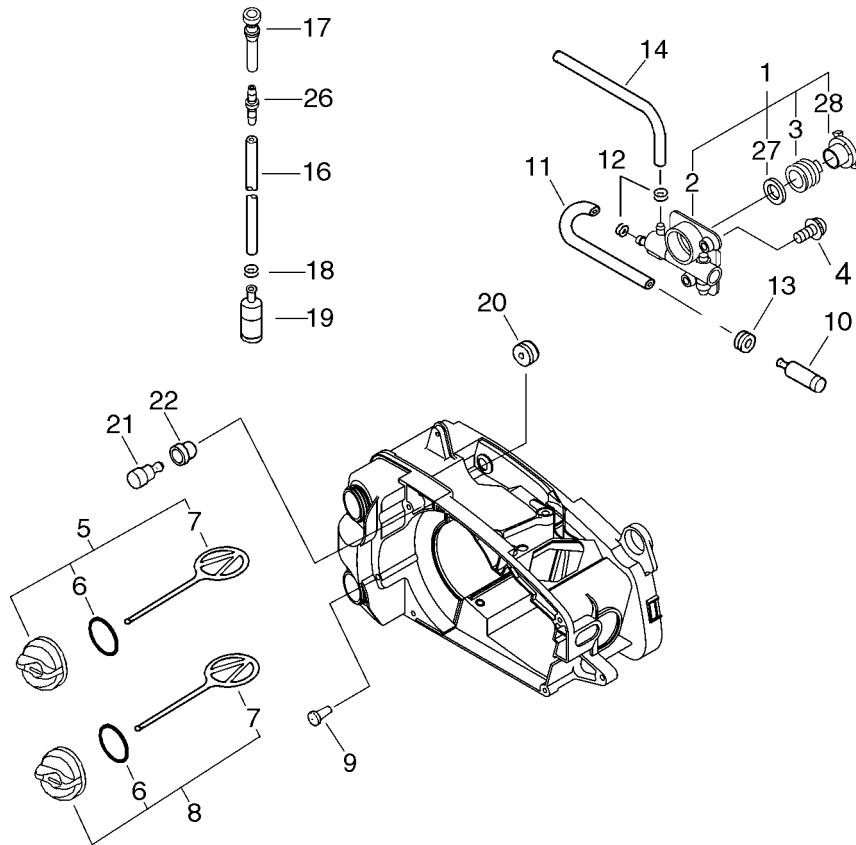
KEY	LV	PART NUMBER	Q'TY	DESCRIPTION	REMARKS
1		P021-009930	1	MUFFLER ASY	
2	+	A300-000370	1	MUFFLER,EXHAUST	
3	+	A303-000041	1	LID,MUFFLER	
4	+	145510-13931	1	GASKET, MUFFLER	
5	+	A301-000000	1	PLATE,MUFFLER	
6	+	91107-05040	2	BOLT HSH FLANGE	
7	+	900250-04008	1	SCREW 4*8	
8		A021-000862	1	CARBURETOR,DIAPHRAGM	
9		A204-000041	1	ELBOW,CARBURETOR	
10		900238-05050	2	SCREW 5*50	
12		A226-000180	1	ELEMENT,AIR FILTER	
13		A232-000450	1	LID,CLEANER	
14		A235-000090	1	KNOB,CLEANER LID	



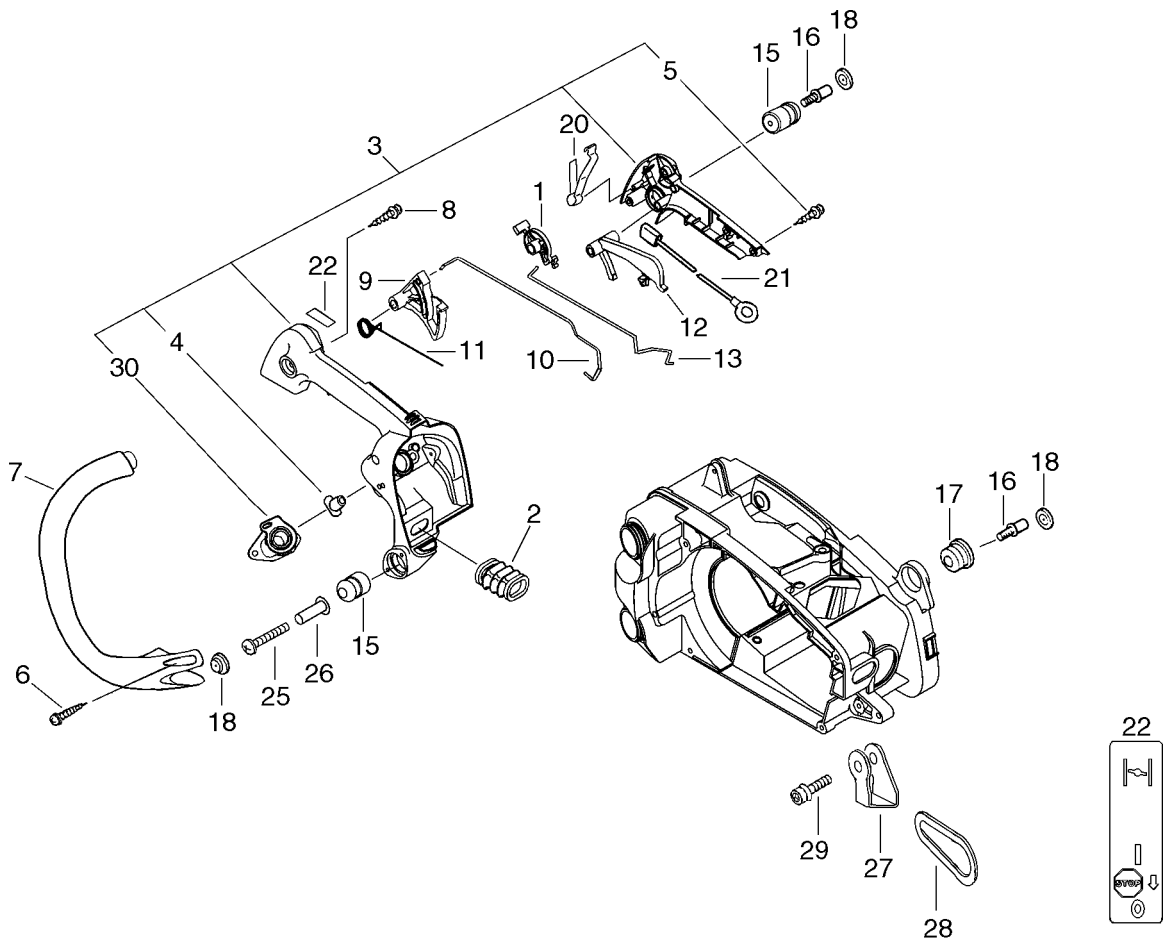
KEY	LV	PART NUMBER	Q'TY	DESCRIPTION	REMARKS
1		A409-000170	1	ROTOR,MAGNETO	
2		900515-00008	1	NUT, FLANGE 8	
3		177234-35430	2	SPRING, RETURN	
4		A514-000020	2	PAWL	
5		177247-04630	2	SPACER, RATCHET	
6		900603-00005	4	WASHER 5	
7		V203-000080	2	BOLT,5	
8		A411-000150	1	COIL,IGNITION	
9		900238-05022	2	SCREW 5*22	
10		150117-16430	2	SPACER	
11		162010-55930	1	LEARD, GROUND	
12		V485-000140	1	LEAD	
13		156110-04920	1	BUSHING	
14		A425-000000	1	SPARKPLUG	
15		A426-000010	1	TERMINAL,SPARKPLUG	
16		A427-000013	1	CAP,SPARK PLUG	
17		V475-002390	2	TUBE	
18		A172-000501	1	COVER,FAN	
20		A051-001230	1	STARTER,RECOIL	
21	+	P022-009771	1	STARTER,RECOIL	
23	+	P022-005890	1	GRIP, STARTER	
24	+	P022-001330	1	SPRING KIT, REWIND	
25	+	P022-008440	1	ROPE, STARTER	
26	+	A506-000030	1	REEL,ROPE	



KEY	LV	PART NUMBER	Q'TY	DESCRIPTION	REMARKS
27	+	V452-000220	1	SPRING,TORSION	
28	+	A507-000021	1	CATCHER,PAWL	
29	+	177236-61830	1	SCREW	
30		900256-04016	4	SCREW 4*16	
31		X503-009040	1	LABEL,MODEL	
32		X505-000180	1	LABEL,CAUTION	

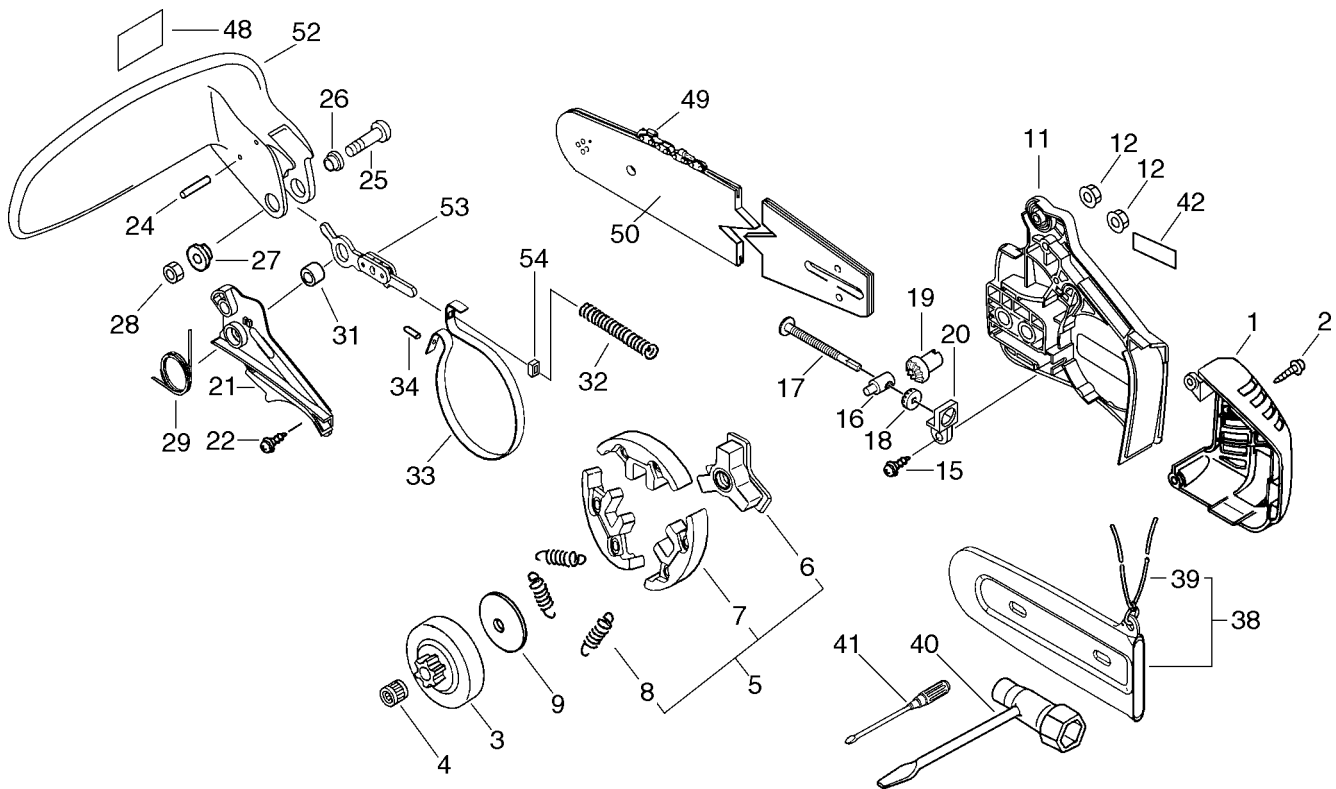


KEY	LV	PART NUMBER	Q'TY	DESCRIPTION	REMARKS
1		P021-010890	1	AUTO-OILER ASY	
2	+	C022-000020	1	AUTO-OILER ASSEMBLY	
3	+	V652-000030	1	GEAR,WORM	
27	+	V308-000030	1	WASHER,CIRCULAR 11	
28	+	V356-000290	1	COLLAR,10	
4		900238-04012	2	SCREW 4*12	
5		P021-005601	1	FUEL CAP ASY	
6	+	900720-00018	1	O-RING 18	
7	+	A365-000050	1	CONNECTOR,CAP	
8		P021-005581	1	OIL CAP ASY	
6	+	900720-00018	1	O-RING 18	
7	+	A365-000050	1	CONNECTOR,CAP	
9		436114-13930	1	VALVE, CHECK	
10		436205-02832	1	STRAINER, OIL	
11		V471-000740	1	PIPE	
12		132013-26630	2	CLIP	
13		132115-01461	1	GROMMET	
14		V471-000760	1	PIPE	
16		V471-000750	1	PIPE	
17		V470-000320	1	PIPE	
18		132013-09820	1	CLIP	
19		131205-14930	1	STRAINER,FUEL	
20		V137-000020	1	GROMMET,FUEL	
21		131300-56430	1	VALVE, CHECK	
22		V137-000000	1	GROMMET,FUEL	
26		V186-000020	1	JOINT,PIPE	

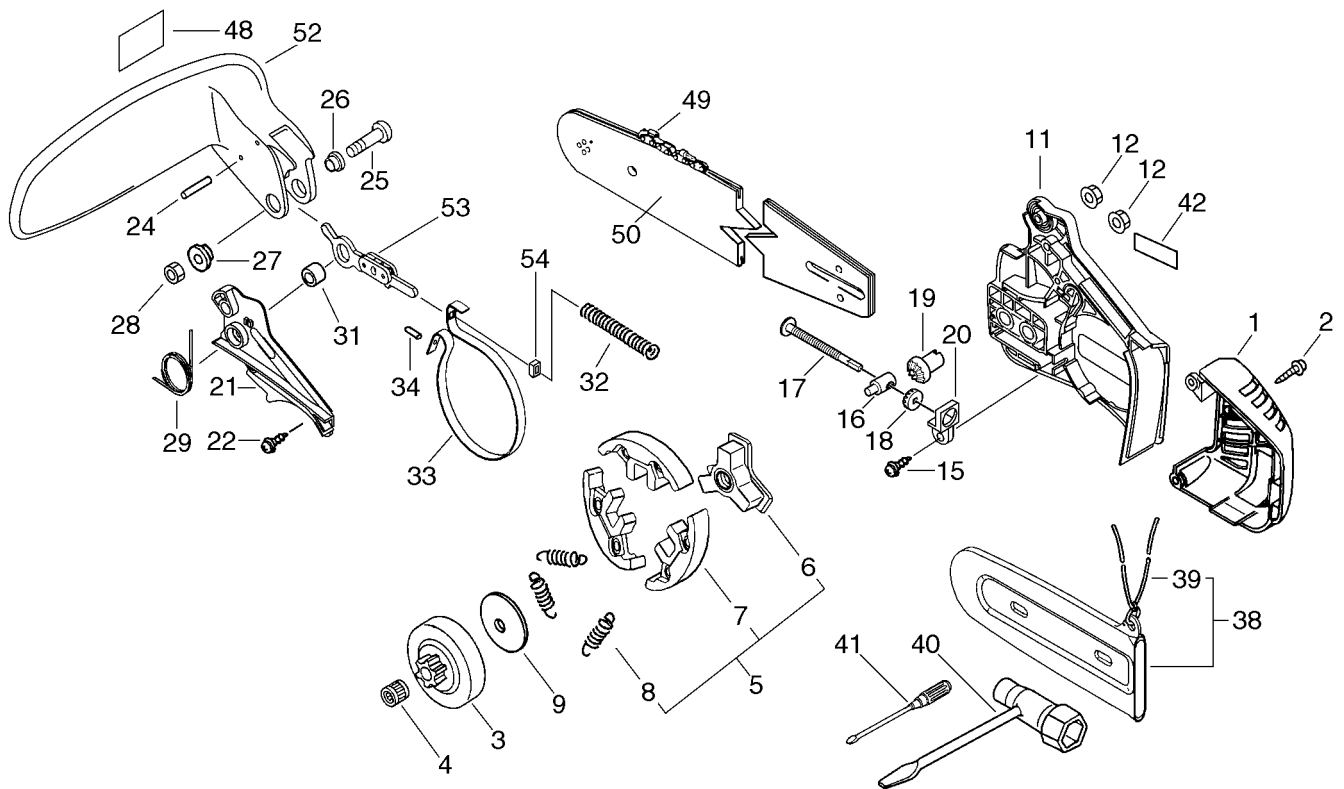


KEY	LV	PART NUMBER	Q'TY	DESCRIPTION	REMARKS
1		A253-000080	1	LEVER,CONTROL	
2		A239-000000	1	PIPE,INTAKE	
3		P021-014230	1	HANDLE, REAR	
30	+	A202-000033	1	BELLOWS,INTAKE	
4	+	130020-33330	2	NUT	
5	+	900256-04016	4	SCREW 4*16	
6		900256-04016	2	SCREW 4*16	
7		C400-000160	1	HANDLE,FRONT	
8		900253-05020	1	SCREW 5*20	
9		C450-000160	1	TRIGGER,THROTTLE	
10		C454-000070	1	ROD,THROTTLE	
11		V452-000010	1	SPRING,TORSION	
12		C460-000041	1	LOCKOUT,THROTTLE	
13		A240-000010	1	ROD,CHOKE	
15		V400-000070	2	CUSHION,4	
16		V202-000000	2	BOLT,4	
17		100910-18830	1	CUSHION	
18		100918-15130	3	CAP	
20		V486-000010	1	TERMINAL,LEAD	
21		V485-000340	1	LEAD	
22		X524-000910	1	LABEL	
25		91481-04035	1	SCREW TAPPING	
26		V352-000020	1	COLLAR,4	
27		C626-000040	1	FIXTURE,HARNESS	
28		C646-000040	1	RING,HARNESS	
29		900162-04025	1	BOLT, H.S. 4*25	

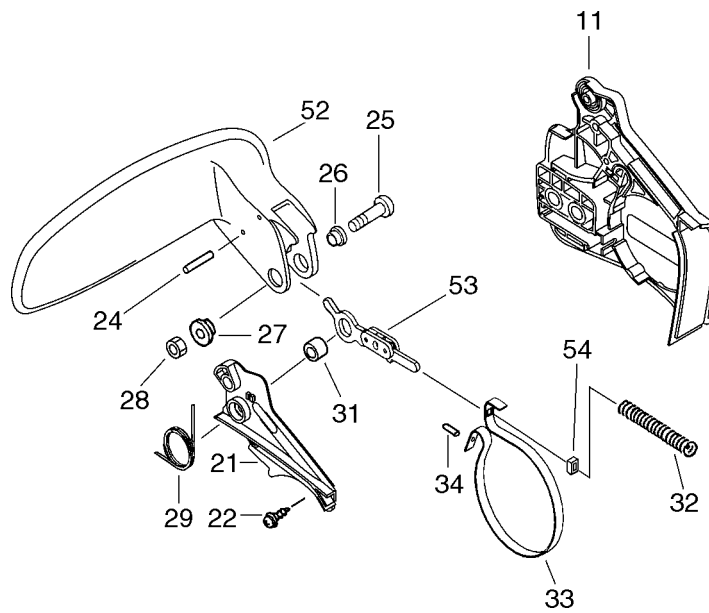




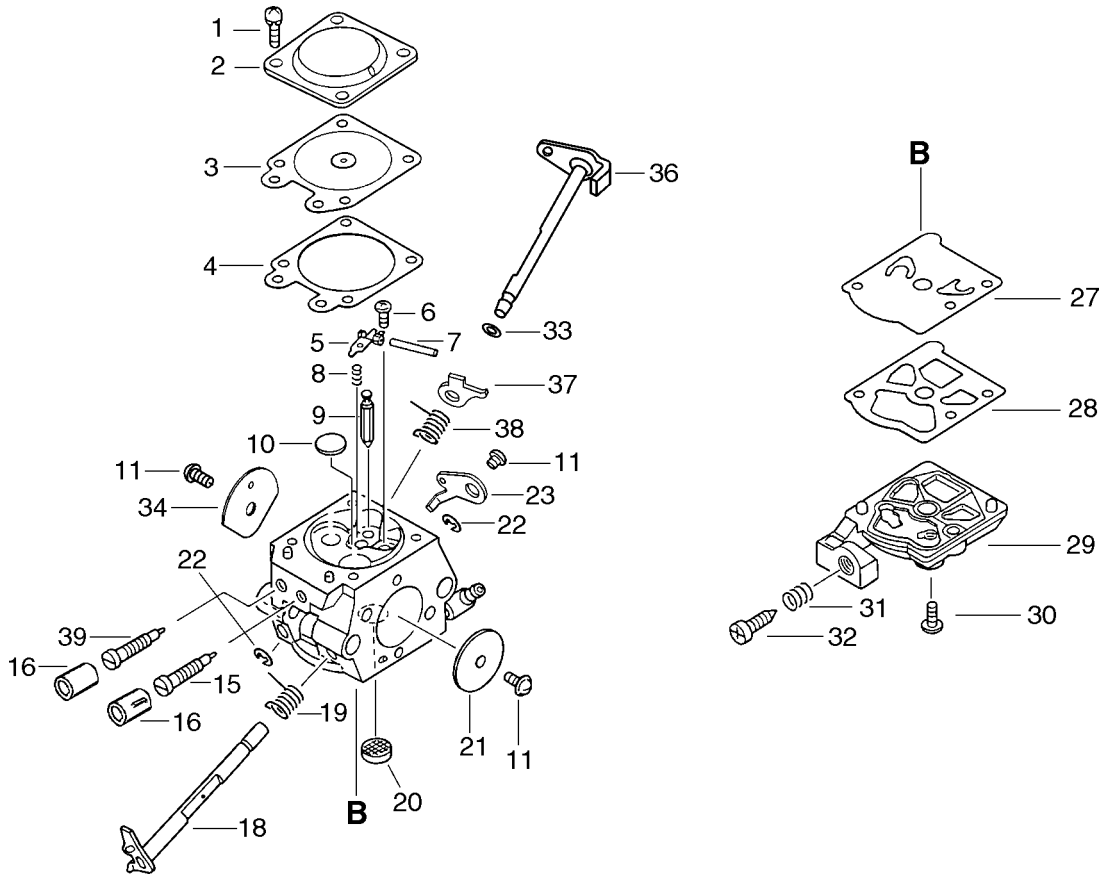
KEY	LV	PART NUMBER	Q'TY	DESCRIPTION	REMARKS
1		A320-000370	1	COVER,MUFFLER	
2		900253-04016	2	SCREW 4*16	
3		175005-39132	1	DRUM, CLUTCH	
4		175012-00831	1	BEARING, NEEDLE	
5		A056-000070	1	CLUTCH	
6	+	A552-000020	1	HUB,CLUTCH	
7	+	P021-005810	1	CLUTCH SHOE SET	
8	+	V451-000470	3	SPRING,TENSION	
9		A551-000010	1	PLATE,CLUTCH	
11		C300-000262	1	GUARD,SPROCKET	
12		433019-03933	2	NUT, FLANGE 6	
15		900253-04012	1	SCREW	
16		C309-000030	1	TENSIONER,CHAIN	
17		V203-000041	1	BOLT,5	
18		V651-000011	1	GEAR,BEVEL	
19		V651-000001	1	GEAR,BEVEL	
20		V355-000140	1	COLLAR,8	
21		C345-000171	1	COVER,BRAKE	
22		900253-04012	3	SCREW	
24		900330-30260	2	ROLLER 3*26	
25		91318-05032	1	SCREW	
26		433167-39130	1	SPACER	
27		V353-000060	1	COLLAR,5	
28		900562-50005	1	LOCKNUT 5	



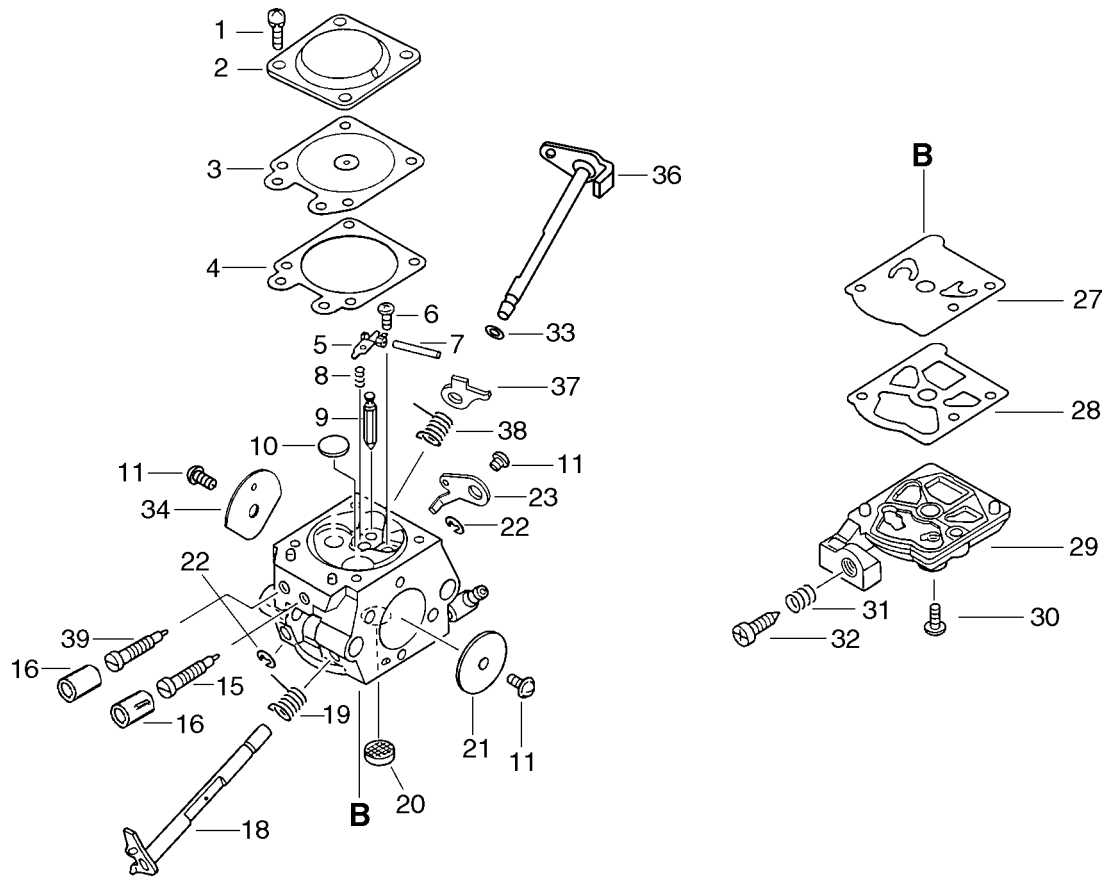
KEY	LV	PART NUMBER	Q'TY	DESCRIPTION	REMARKS
29		V452-000110	1	SPRING,TORSION	
31		433116-35430	1	SPACER 8	
32		V450-000070	1	SPRING,COMPRESSION	
33		C328-000030	1	BAND,BRAKE	
34		93050-30098	1	ROLLER	
38		P021-005750	1	SCABBARD,CHAIN	
39	+	A509-000020	1	ROPE	
40		895410-03930	1	WRENCH, W/S. DRIVER	
41		895812-03930	1	DRIVER, SCREW 50	
42		X504-000830	1	LABEL,BRAND	
48		X505-002440	1	LABEL,CAUTION	
49		431010-39230	1	CHAIN, SAW 91VG-47E	
50		X122-000170	1	BAR,GUIDE 30	
52		C320-000034	1	LEVER,BRAKE	
53		C334-000070	1	CONNECTOR,BRAKE	
54		V376-000450	1	SPACER	



KEY	LV	PART NUMBER	Q'TY	DESCRIPTION	REMARKS
		C032-000391	1	BRAKE ASY, CHAIN	
11	+	C300-000262	1	GUARD, SPROCKET	
21	+	C345-000171	1	COVER, BRAKE	
22	+	900253-04012	3	SCREW	
24	+	900330-30260	2	ROLLER 3*26	
25	+	91318-05032	1	SCREW	
26	+	433167-39130	1	SPACER	
27	+	V353-000060	1	COLLAR, 5	
28	+	900562-50005	1	LOCKNUT 5	
29	+	V452-000110	1	SPRING, TORSION	
31	+	433116-35430	1	SPACER 8	
32	+	V450-000070	1	SPRING, COMPRESSION	
33	+	C328-000030	1	BAND, BRAKE	
34	+	93050-30098	1	ROLLER	
52	+	C320-000034	1	LEVER, BRAKE	
53	+	C334-000070	1	CONNECTOR, BRAKE	
54	+	V376-000450	1	SPACER	



KEY	LV	PART NUMBER	Q'TY	DESCRIPTION	REMARKS
		A021-000862	1	CARBURETOR,DIAPHRAGM	
1	+	123130-02960	4	SCREW	
2	+	123142-03930	1	COVER, M. DIAPHRAGM	
3	+	123141-03930	1	DIAPHRAGM, METERING	
4	+	123140-03930	1	GASKET, M. DIAPHRAGM	
5	+	123123-03930	1	LEVER, METERING	
6	+	123139-03930	1	SCREW, M. LEVER PIN	
7	+	123138-03930	1	PIN, METERING LEVER	
8	+	123122-39830	1	SPRING, METER. LEVER	
9	+	123137-19830	1	VALVE, INLET NEEDLE	
10	+	123146-10631	1	PLUG, WELCH	
11	+	123114-38830	3	SCREW	
15	+	123118-02261	1	NEEDLE	
16	+	P003-000010	2	LIMITER CAP	
18	+	P003-000480	1	SHAFT,THROTTLE	
19	+	123113-37530	1	SPRING, THROTTLE RTN	
20	+	123126-10631	1	SCREEN, INLET	
21	+	123116-10530	1	VALVE, THROTTLE	
22	+	123127-15030	2	RING	
23	+	P003-000380	1	THROTTLE, LEVER	
27	+	123112-15030	1	DIAPHRAGM, FUEL PUMP	
28	+	123125-15030	1	GASKET, FUEL PUMP	
29	+	123124-24430	1	COVER, FUEL PUMP	
30	+	123110-03930	1	SCREW, PUMP COVER	



KEY	LV	PART NUMBER	Q'TY	DESCRIPTION	REMARKS
31	+	123133-04260	1	SPRING, IDLE ADJUST	
32	+	123134-04260	1	SCREW, IDLE ADJUST	
33	+	123149-26030	1	WASHER	
34	+	123132-35430	1	VALVE, CHOKE	
36	+	P003-001140	1	SHAFT, CHOKE	
37	+	P003-001510	1	LEVER-FAST IDLE	
38	+	P003-001470	1	SPRING	
39	+	123120-52131	1	NEEDLE, HIGH SPEED	

**Index**

<b>Parts Number</b>	<b>Key No.</b>	<b>Parts Number</b>	<b>Key No.</b>	<b>Parts Number</b>	<b>Key No.</b>
A021-000862	2 - 8	C626-000040	5 - 27	V471-000750	4 - 16
A021-000862	8 -	C646-000040	5 - 28	V471-000760	4 - 14
A051-001230	3 - 20	P003-000010	8 - 16	V475-002390	3 - 17
A056-000070	6 - 5	P003-000380	8 - 23	V485-000140	3 - 12
A127-000200	1 - 20	P003-000480	8 - 18	V485-000340	5 - 21
A172-000501	3 - 18	P003-001140	8 - 36	V486-000010	5 - 20
A202-000033	5 - 30	P003-001470	8 - 38	V505-000010	1 - 11
A204-000041	2 - 9	P003-001510	8 - 37	V553-000040	1 - 8
A226-000180	2 - 12	P021-005491	1 - 1	V651-000001	6 - 19
A232-000450	2 - 13	P021-005501	1 - 3	V651-000011	6 - 18
A235-000090	2 - 14	P021-005581	4 - 8	V652-000030	4 - 3
A239-000000	5 - 2	P021-005601	4 - 5	X122-000170	6 - 50
A240-000010	5 - 13	P021-005750	6 - 38	X503-009040	3 - 31
A253-000080	5 - 1	P021-005810	6 - 7	X504-000830	6 - 42
A300-000370	2 - 2	P021-008855	1 - 23	X505-000180	3 - 32
A301-000000	2 - 5	P021-009930	2 - 1	X505-002440	6 - 48
A303-000041	2 - 3	P021-010701	1 - 9	X524-000910	5 - 22
A320-000370	6 - 1	P021-010890	4 - 1	100011-46430	1 - 4
A365-000050	4 - 7	P021-014230	5 - 3	100013-15330	1 - 5
A409-000170	3 - 1	P022-001330	3 - 24	100014-60930	1 - 7
A411-000150	3 - 8	P022-005890	3 - 23	100015-04630	1 - 6
A425-000000	3 - 14	P022-008440	3 - 25	100142-12330	1 - 30
A426-000010	3 - 15	P022-009771	3 - 21	100910-18830	5 - 17
A427-000013	3 - 16	V137-000000	4 - 22	100918-15130	5 - 18
A506-000030	3 - 26	V137-000020	4 - 20	123110-03930	8 - 30
A507-000021	3 - 28	V186-000020	4 - 26	123112-15030	8 - 27
A509-000020	6 - 39	V202-000000	5 - 16	123113-37530	8 - 19
A514-000020	3 - 4	V203-000041	6 - 17	123114-38830	8 - 11
A551-000010	6 - 9	V203-000080	3 - 7	123116-10530	8 - 21
A552-000020	6 - 6	V308-000030	4 - 27	123118-02261	8 - 15
C022-000020	4 - 2	V352-000020	5 - 26	123120-52131	8 - 39
C032-000391	7 -	V353-000060	6 - 27	123122-39830	8 - 8
C300-000262	6 - 11	V353-000060	7 - 27	123123-03930	8 - 5
C300-000262	7 - 11	V355-000140	6 - 20	123124-24430	8 - 29
C304-000000	1 - 27	V356-000290	4 - 28	123125-15030	8 - 28
C305-000080	1 - 15	V359-000060	1 - 32	123126-10631	8 - 20
C309-000030	6 - 16	V376-000450	6 - 54	123127-15030	8 - 22
C320-000034	6 - 52	V376-000450	7 - 54	123130-02960	8 - 1
C320-000034	7 - 52	V400-000070	5 - 15	123132-35430	8 - 34
C328-000030	6 - 33	V450-000070	6 - 32	123133-04260	8 - 31
C328-000030	7 - 33	V450-000070	7 - 32	123134-04260	8 - 32
C334-000070	6 - 53	V451-000470	6 - 8	123137-19830	8 - 9
C334-000070	7 - 53	V452-000010	5 - 11	123138-03930	8 - 7
C345-000171	6 - 21	V452-000110	6 - 29	123139-03930	8 - 6
C345-000171	7 - 21	V452-000110	7 - 29	123140-03930	8 - 4
C400-000160	5 - 7	V452-000220	3 - 27	123141-03930	8 - 3
C450-000160	5 - 9	V470-000320	4 - 17	123142-03930	8 - 2
C454-000070	5 - 10	V470-000481	1 - 35	123146-10631	8 - 10
C460-000041	5 - 12	V471-000740	4 - 11	123149-26030	8 - 33

**Index**

<b>Parts Number</b>	<b>Key No.</b>	<b>Parts Number</b>	<b>Key No.</b>	<b>Parts Number</b>	<b>Key No.</b>
130020-33330	5 - 4	900330-30260	6 - 24		
131205-14930	4 - 19	900330-30260	7 - 24		
131300-56430	4 - 21	900515-00008	3 - 2		
132013-09820	4 - 18	900562-50005	6 - 28		
132013-26630	4 - 12	900562-50005	7 - 28		
132115-01461	4 - 13	900603-00005	3 - 6		
145510-13931	2 - 4	900720-00018	4 - 6		
150117-16430	3 - 10	900724-00004	1 - 25		
156110-04920	3 - 13	91107-05040	2 - 6		
162010-55930	3 - 11	91318-05032	6 - 25		
163911-30130	1 - 22	91318-05032	7 - 25		
175005-39132	6 - 3	91481-04035	5 - 25		
175012-00831	6 - 4	93050-30098	6 - 34		
177234-35430	3 - 3	93050-30098	7 - 34		
177236-61830	3 - 29	94035-36201	1 - 10		
177247-04630	3 - 5				
431010-39230	6 - 49				
433011-03931	1 - 17				
433019-03933	6 - 12				
433026-35430	1 - 36				
433116-35430	6 - 31				
433116-35430	7 - 31				
433167-39130	6 - 26				
433167-39130	7 - 26				
436114-13930	4 - 9				
436205-02832	4 - 10				
895410-03930	6 - 40				
895812-03930	6 - 41				
900106-05020	1 - 19				
900106-05030	1 - 24				
900162-04025	5 - 29				
900162-05025	1 - 2				
900238-04012	4 - 4				
900238-05012	1 - 34				
900238-05022	3 - 9				
900238-05050	2 - 10				
900250-04008	2 - 7				
900253-04010	1 - 18				
900253-04012	1 - 21				
900253-04012	6 - 15				
900253-04012	6 - 22				
900253-04012	7 - 22				
900253-04016	6 - 2				
900253-05020	1 - 26				
900253-05020	1 - 28				
900253-05020	5 - 8				
900256-04016	3 - 30				
900256-04016	5 - 5				
900256-04016	5 - 6				



# KIORITZ CORPORATION

7-2 SUEHIROCHO 1-CHOME, OHME, TOKYO 198-8711, JAPAN  
PHONE: 81-428-32-6118. FAX: 81-428-32-6145.

200803 No.65-020(650249)