

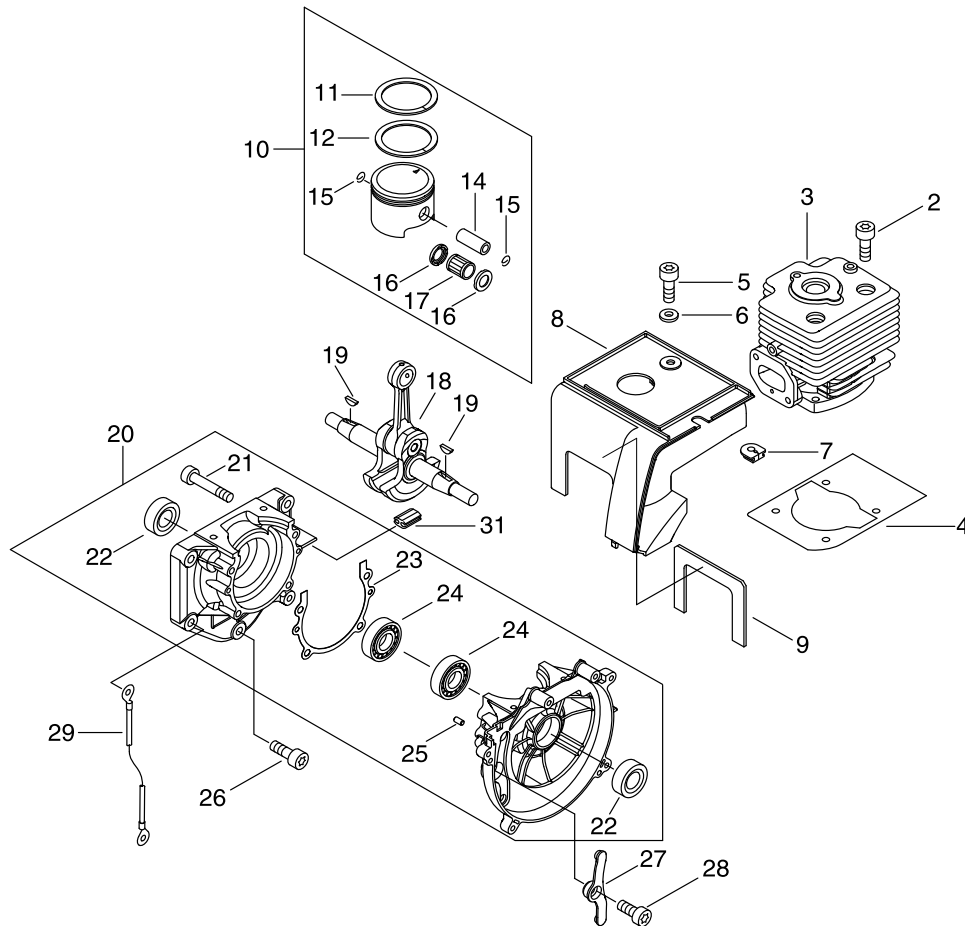


# **PARTS CATALOGUE**

## **BACKPACK BLOWER PB-760LN(37)**

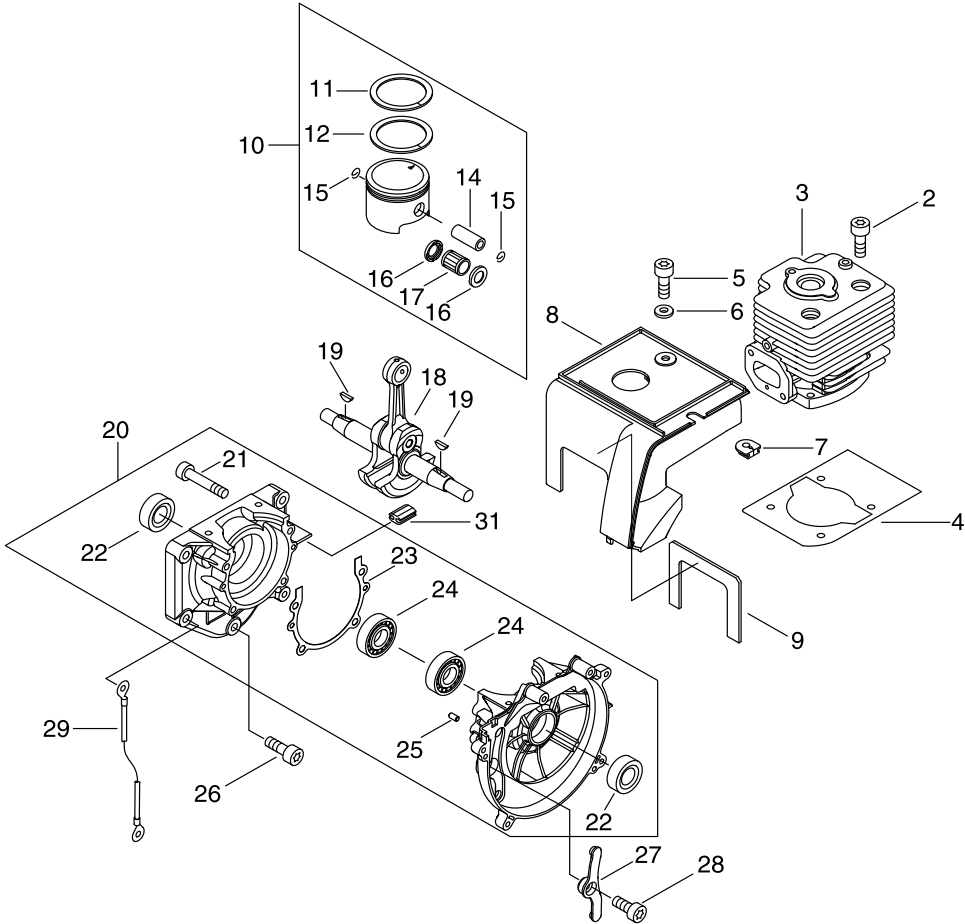
**37000001 -**

# 1. CYLINDER, CRANKCASE, PISTON



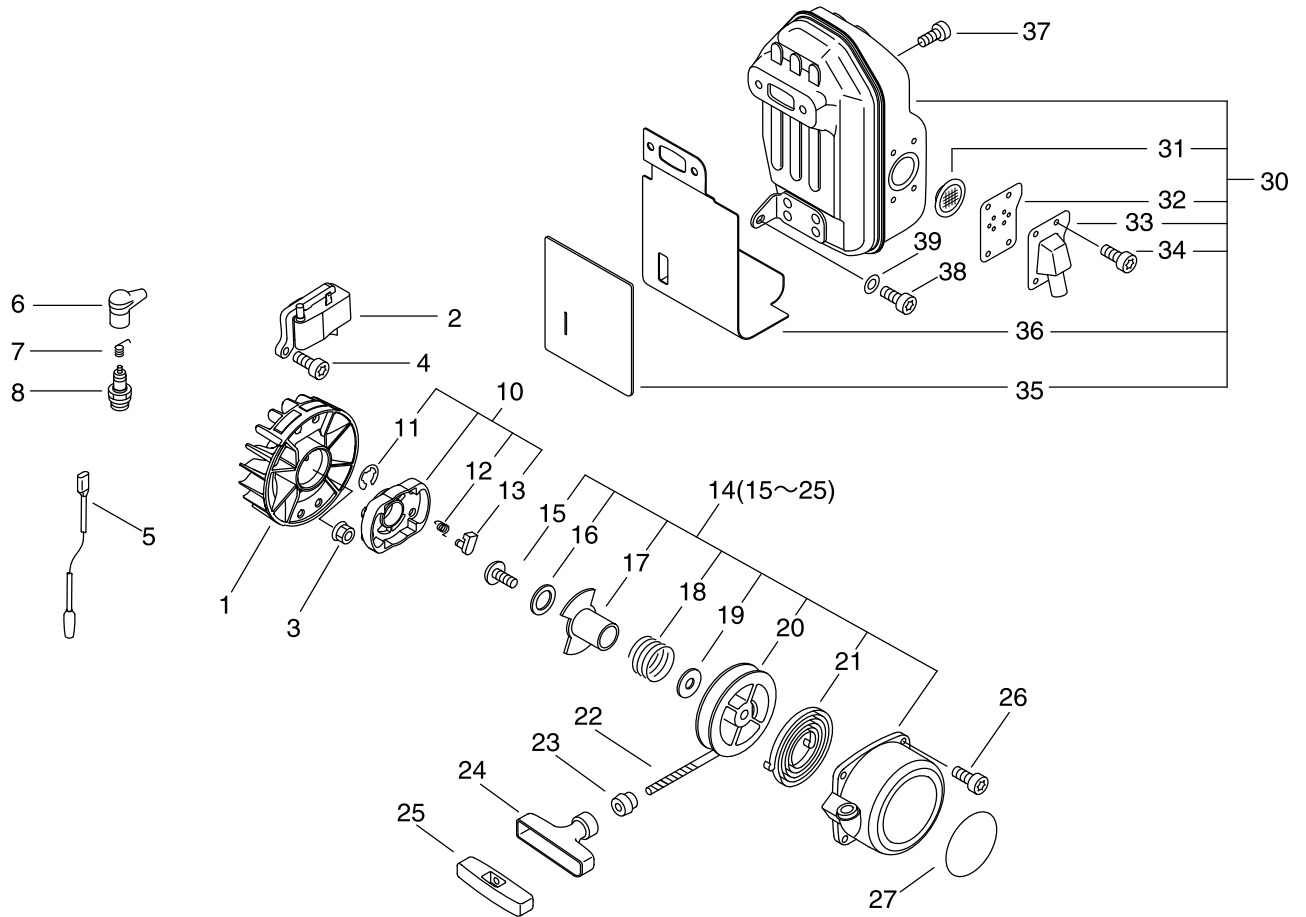
| KEY | LV | PART NUMBER  | Q'TY | DESCRIPTION         | REMARKS      | NOTE1 | NOTE2 |
|-----|----|--------------|------|---------------------|--------------|-------|-------|
| 2   |    | V805-000220  | 4    | BOLT, TORX 5        | TB-5*25 12.9 |       |       |
| 3   |    | A130-002130  | 1    | CYLINDER            | 48 4TW 1860B |       |       |
| 4   |    | V100-000770  | 1    | GASKET,CYL          | T:0.8        |       |       |
| 5   |    | V805-000160  | 1    | BOLT, TORX 5        | TB-5*20 10.9 |       |       |
| 6   |    | V323-000060  | 1    | WASHER,CIRCULAR 5   |              |       |       |
| 7   |    | 156112-40630 | 1    | GROMMET             |              |       |       |
| 8   |    | A160-001242  | 1    | COVER,CYLINDER      |              |       |       |
| 9   |    | A209-000770  | 1    | PLATE, INSULATOR    |              |       |       |
| 10  |    | P021-002983  | 1    | PISTON KIT          |              |       |       |
| 11  | +  | A101-000030  | 1    | RING,PISTON         |              |       |       |
| 12  | +  | A101-000020  | 1    | RING,PISTON         |              |       |       |
| 14  | +  | V608-000010  | 1    | PIN,ENG 10          | 6*10*40      |       |       |
| 15  | +  | 100015-00120 | 2    | CIRCLIP, PISTON PIN |              |       |       |
| 16  | +  | V307-000060  | 2    | WASHER,CIRCULAR 10  |              |       |       |
| 17  | +  | V555-000010  | 1    | BEARING,NEEDLE 10   |              |       |       |
| 18  |    | A011-001260  | 1    | CRANKSHAFT,ASY      |              |       |       |
| 19  |    | 900323-03014 | 2    | KEY WOODRUFF        | 3*14         |       |       |
| 20  |    | P021-017260  | 1    | CRANKCASE KIT       |              |       |       |
| 21  | +  | V805-000180  | 4    | BOLT, TORX 5        | TB-5*30 12.9 |       |       |
| 22  | +  | V508-000010  | 2    | SEAL,OIL 15         | ISCD 15*25*7 |       |       |
| 23  | +  | V102-000070  | 1    | GASKET,CRANKCASE    |              |       |       |
| 24  | +  | 94032-36302  | 2    | BEARING BALL        | BB-6302      |       |       |
| 25  | +  | 900330-40080 | 2    | PIN F 4*8           | 4*8          |       |       |
| 26  |    | V806-000060  | 5    | BOLT, TORX 6        | TB-6*30 12.9 |       |       |
| 27  |    | A127-000240  | 1    | COVER,DUST          |              |       |       |
| 28  |    | V805-000130  | 1    | BOLT, TORX 5        | TB-5*10 10.9 |       |       |

1. CYLINDER, CRANKCASE, PISTON



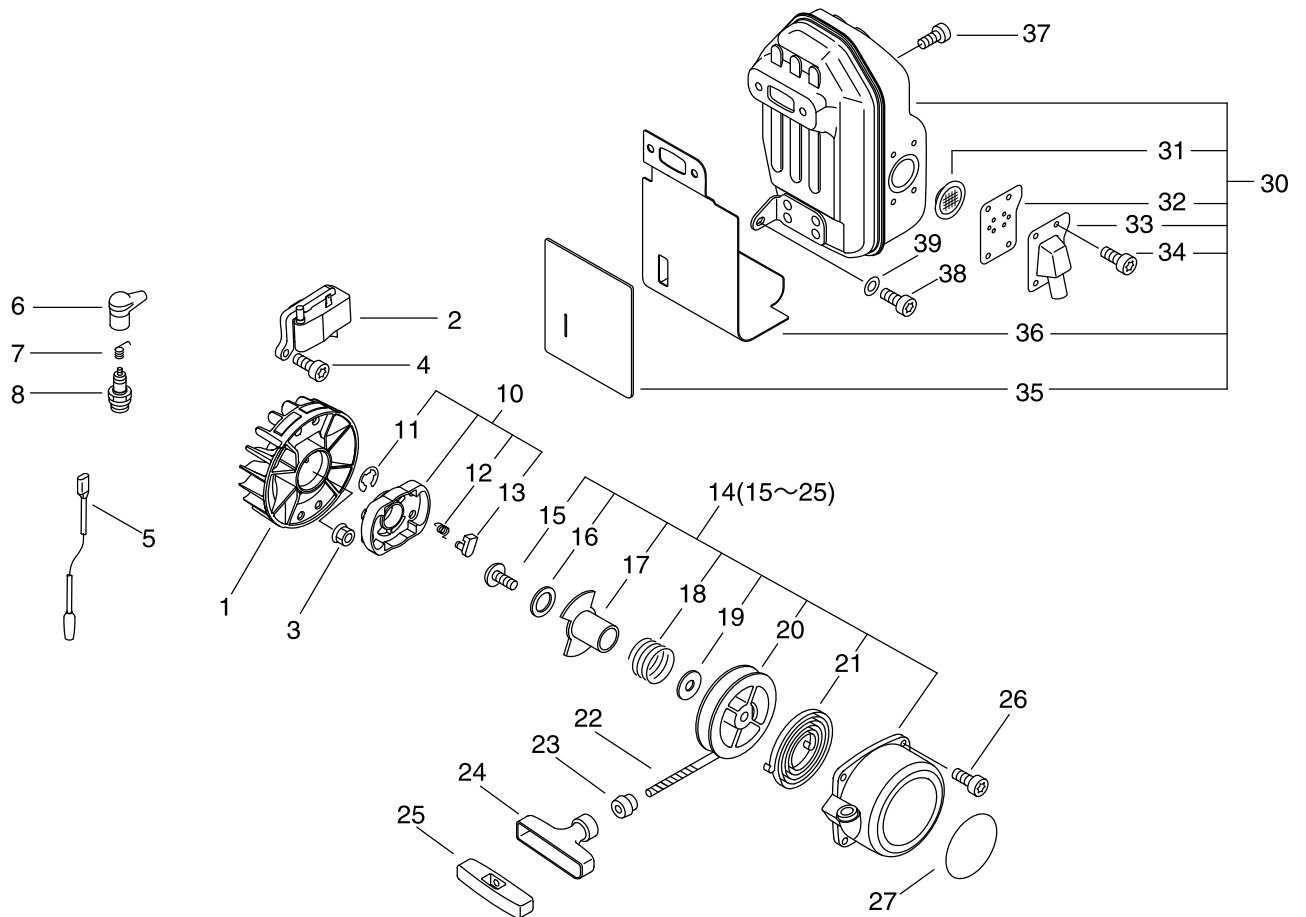
| KEY | LV | PART NUMBER | Q'TY | DESCRIPTION | REMARKS          | NOTE1 | NOTE2 |
|-----|----|-------------|------|-------------|------------------|-------|-------|
| 29  |    | V485-001180 | 1    | LEAD        | LA106,LA105 195L |       |       |
| 31  |    | A127-000400 | 1    | COVER,DUST  |                  |       |       |

## 2. STARTER, MAGNETO, MUFFLER



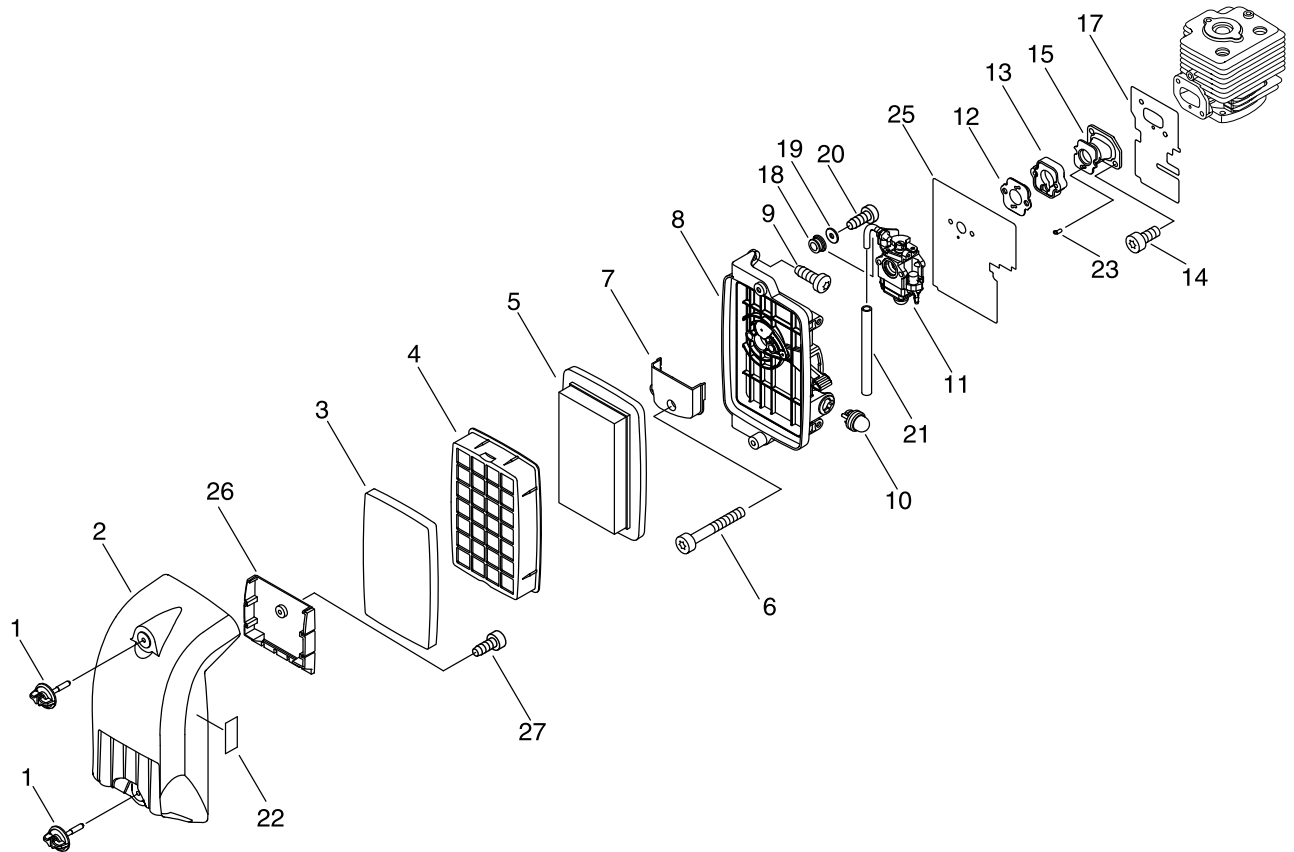
| KEY | LV | PART NUMBER  | Q'TY | DESCRIPTION        | REMARKS      | NOTE1 | NOTE2 |
|-----|----|--------------|------|--------------------|--------------|-------|-------|
| 1   |    | A409-000390  | 1    | ROTOR, MAGNETO     |              |       |       |
| 2   |    | A411-000490  | 1    | COIL, IGNITION     | ID#C11454    |       |       |
| 3   |    | 900519-00010 | 1    | NUT, FLANGE 10     | 10*1.25      |       |       |
| 4   |    | V805-000160  | 2    | BOLT, TORX 5       | TB-5*20 10.9 |       |       |
| 5   |    | V485-001170  | 1    | LEAD               | CB104,AMP187 |       |       |
| 6   |    | 159012-03433 | 1    | CAP, SPARK PLUG    |              |       |       |
| 7   |    | 159011-03432 | 1    | COIL, SPARK PLUG   |              |       |       |
| 8   |    | A425-000050  | 1    | SPARKPLUG          | BPMR6Y       |       |       |
| 10  |    | A052-000270  | 1    | PULLEY,ASM STARTER |              |       |       |
| 11  | +  | P022-002100  | 2    | E-RING             | 4            |       |       |
| 12  | +  | P022-003130  | 2    | SPRING, RETURN     |              |       |       |
| 13  | +  | P022-003120  | 2    | PAWL, STARTER      |              |       |       |
| 14  |    | A051-000841  | 1    | STARTER,RECOIL     |              |       |       |
| 15  | +  | 177236-61830 | 1    | SCREW              |              |       |       |
| 16  | +  | P022-010250  | 1    | WASHER, THRUST     |              |       |       |
| 17  | +  | P022-010221  | 1    | PLATE, FRICTION    |              |       |       |
| 18  | +  | P022-010231  | 1    | SPRING, FRICTION   |              |       |       |
| 19  | +  | V303-000050  | 1    | WASHER,CIRCULAR 5  |              |       |       |
| 20  | +  | A506-000040  | 1    | REEL,ROPE          |              |       |       |
| 21  | +  | P022-004680  | 1    | SPRING, SPIRAL     |              |       |       |
| 22  | +  | P022-010270  | 1    | ROPE               |              |       |       |
| 23  | +  | 177227-42030 | 1    | GUIDE, ROPE        |              |       |       |
| 24  | +  | 177228-11620 | 1    | GRIP, STARTER      |              |       |       |
| 25  | +  | P022-010260  | 1    | CAP, GRIP          |              |       |       |
| 26  |    | V805-000150  | 4    | BOLT, TORX 5       | TB-5*16 10.9 |       |       |
| 27  |    | X502-000460  | 1    | LABEL,ECHO         |              |       |       |

## 2. STARTER, MAGNETO, MUFFLER



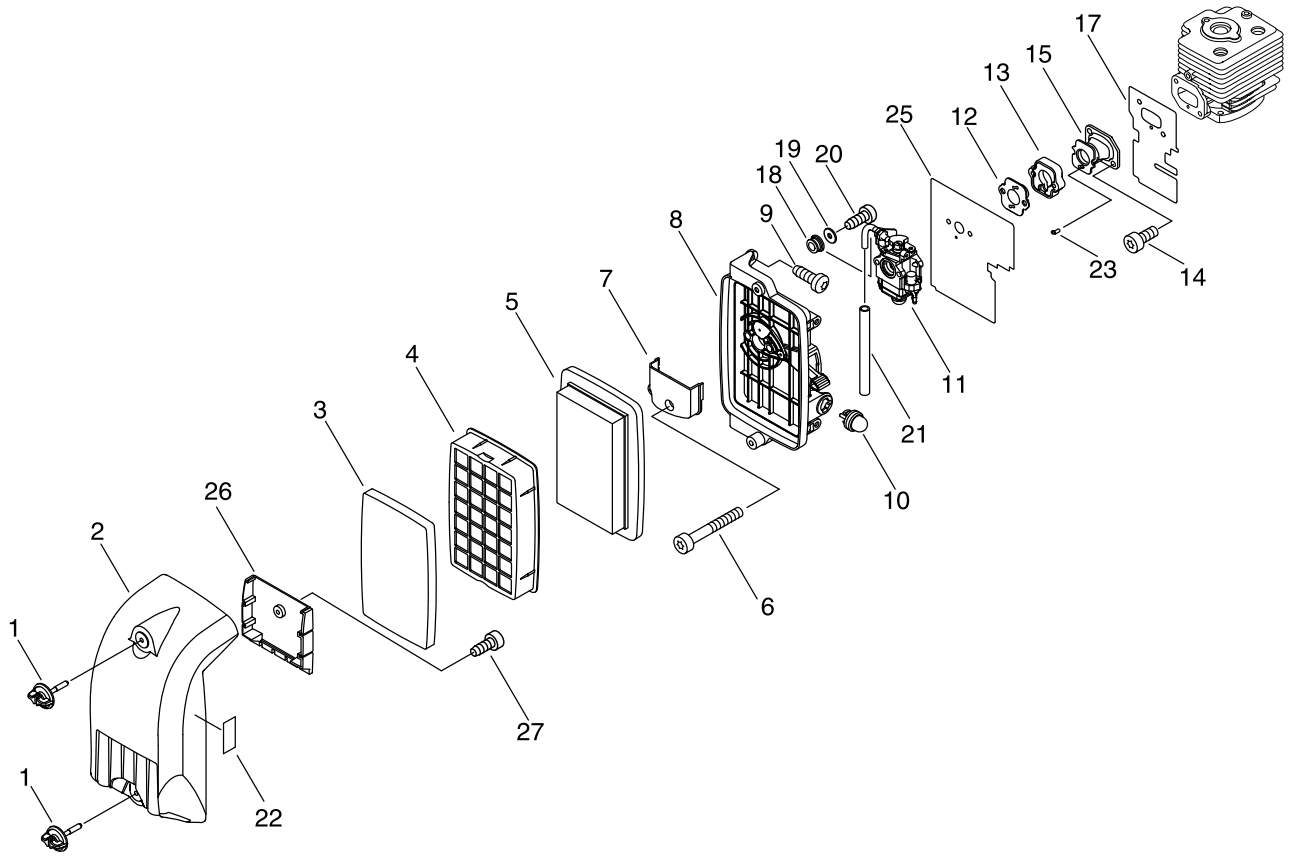
| KEY | LV | PART NUMBER  | Q'TY | DESCRIPTION        | REMARKS      | NOTE1 | NOTE2 |
|-----|----|--------------|------|--------------------|--------------|-------|-------|
| 30  |    | P021-042790  | 1    | MUFFLER ASY        |              |       |       |
| 31  | +  | A310-000000  | 1    | SCREEN,ARRESTOR    |              |       |       |
| 32  | +  | V104-002100  | 1    | GASKET,EXHAUST     | T1           |       |       |
| 33  | +  | A313-001950  | 1    | GUIDE, EXHAUST     | ID#2050      |       |       |
| 34  | +  | V804-000080  | 4    | BOLT, TORX 4       | TB4*8        |       |       |
| 35  | +  | A322-000160  | 1    | INSULATOR, MUFFLER | PB-770LN     |       |       |
| 36  | +  | V104-000950  | 1    | GASKET,EXHAUST     |              |       |       |
| 37  |    | V806-000050  | 2    | BOLT, TORX 6       | TB-6*20 12.9 |       |       |
| 38  |    | V805-000250  | 1    | BOLT, TORX 5       | TB-5*16 12.9 |       |       |
| 39  |    | 613019-07350 | 1    | WASHER 5.5*16*2T   | 5.5*16*2T    |       |       |

### 3. AIR CLEANER, CARBURETOR



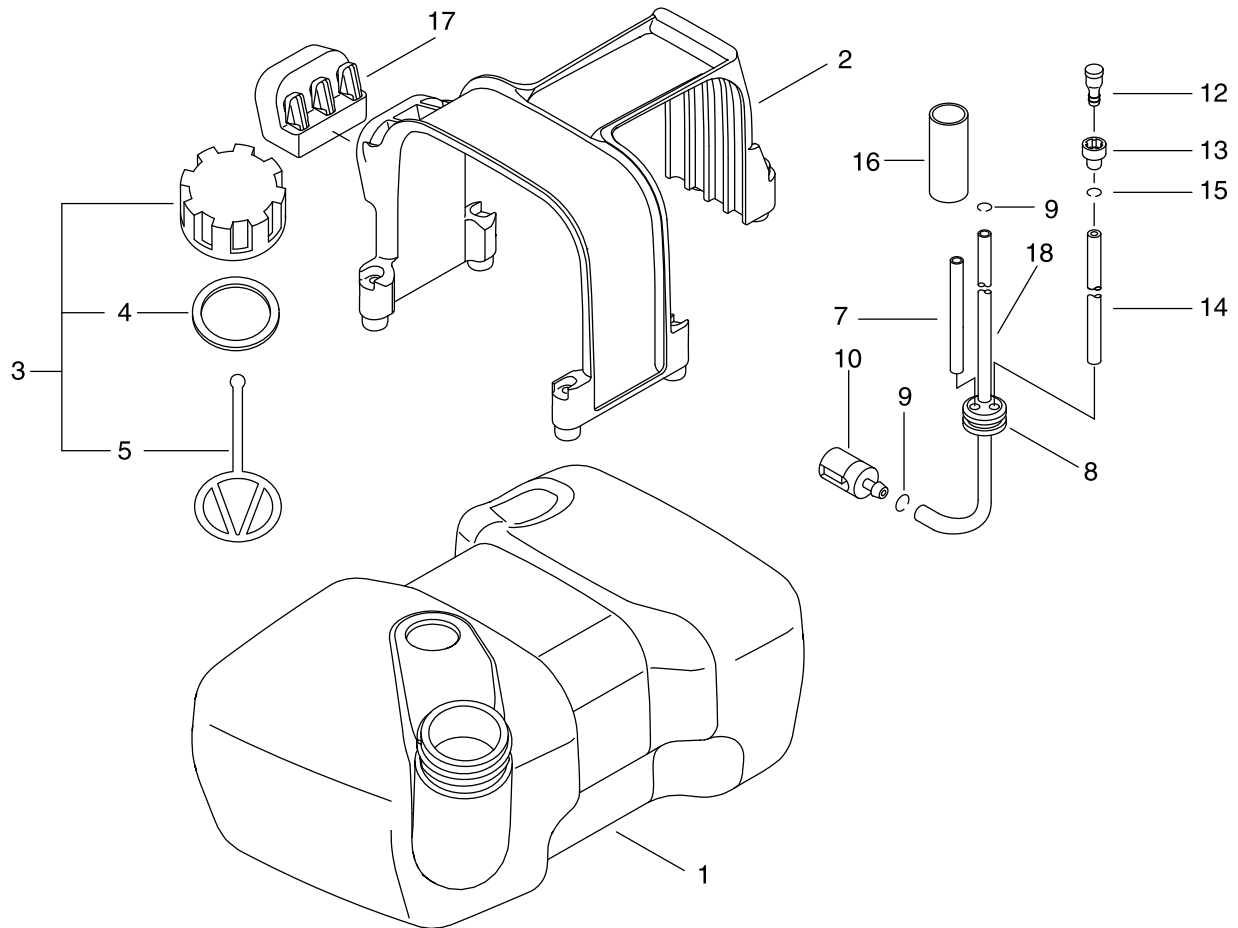
| KEY | LV | PART NUMBER  | Q'TY | DESCRIPTION          | REMARKS         | NOTE1 | NOTE2 |
|-----|----|--------------|------|----------------------|-----------------|-------|-------|
| 1   |    | A235-000020  | 2    | KNOB,CLEANER LID     |                 |       |       |
| 2   |    | A232-000551  | 1    | LID,CLEANER          |                 |       |       |
| 3   |    | A226-000480  | 1    | ELEMENT, AIR FILTER  |                 |       |       |
| 4   |    | A227-000030  | 1    | PLATE,ELEMENT        |                 |       |       |
| 5   |    | A226-000410  | 1    | ELEMENT, AIR FILTER  |                 |       |       |
| 6   |    | V805-000090  | 2    | BOLT, TORX 5         | TB-5*55 10.9    |       |       |
| 7   |    | A244-000090  | 1    | PLATE, PREVENT       |                 |       |       |
| 8   |    | P021-017281  | 1    | CLEANER CASE ASY     |                 |       |       |
| 9   |    | V805-000010  | 2    | BOLT, TORX 5         | TT-5*20 DG 10.9 |       |       |
| 10  |    | 123181-39130 | 1    | PUMP, PRIMER         |                 |       |       |
| 11  |    | A021-003970  | 1    | CARBURETOR,DIAPHRAGM | WYK             |       |       |
| 12  |    | A205-000020  | 1    | RING, SEAL           |                 |       |       |
| 13  |    | A201-000010  | 1    | ADAPTER, INTAKE      |                 |       |       |
| 14  |    | V805-000140  | 2    | BOLT, TORX 5         | TB-5*12 10.9    |       |       |
| 15  |    | A202-000090  | 1    | BELLOWS, INTAKE      |                 |       |       |
| 17  |    | V103-000530  | 1    | GASKET,INTAKE        | NP7010,T:1.2    |       |       |
| 18  |    | C480-000130  | 1    | GUIDE,CABLE          | PB-770          |       |       |
| 19  |    | 131911-03460 | 1    | WASHER               |                 |       |       |
| 20  |    | V805-000000  | 1    | BOLT, TORX 5         | TT-5*16 DG 10.9 |       |       |
| 21  |    | V471-001240  | 1    | PIPE                 | 2.5*5*140       |       |       |
| 22  |    | 890332-52730 | 1    | LABEL, CHOKE         |                 |       |       |
| 23  |    | V351-000000  | 1    | COLLAR,3             | 3.2*6.5         |       |       |
| 25  |    | V103-001690  | 1    | GASKET,INTAKE        |                 |       |       |
| 26  |    | A230-000060  | 1    | GRID, CLEANER        | PB-770LN        |       |       |

### 3. AIR CLEANER, CARBURETOR



| KEY | LV | PART NUMBER | Q'TY | DESCRIPTION  | REMARKS         | NOTE1 | NOTE2 |
|-----|----|-------------|------|--------------|-----------------|-------|-------|
| 27  |    | V804-000000 | 1    | BOLT, TORX 4 | TT-4*12 DG 10.9 |       |       |

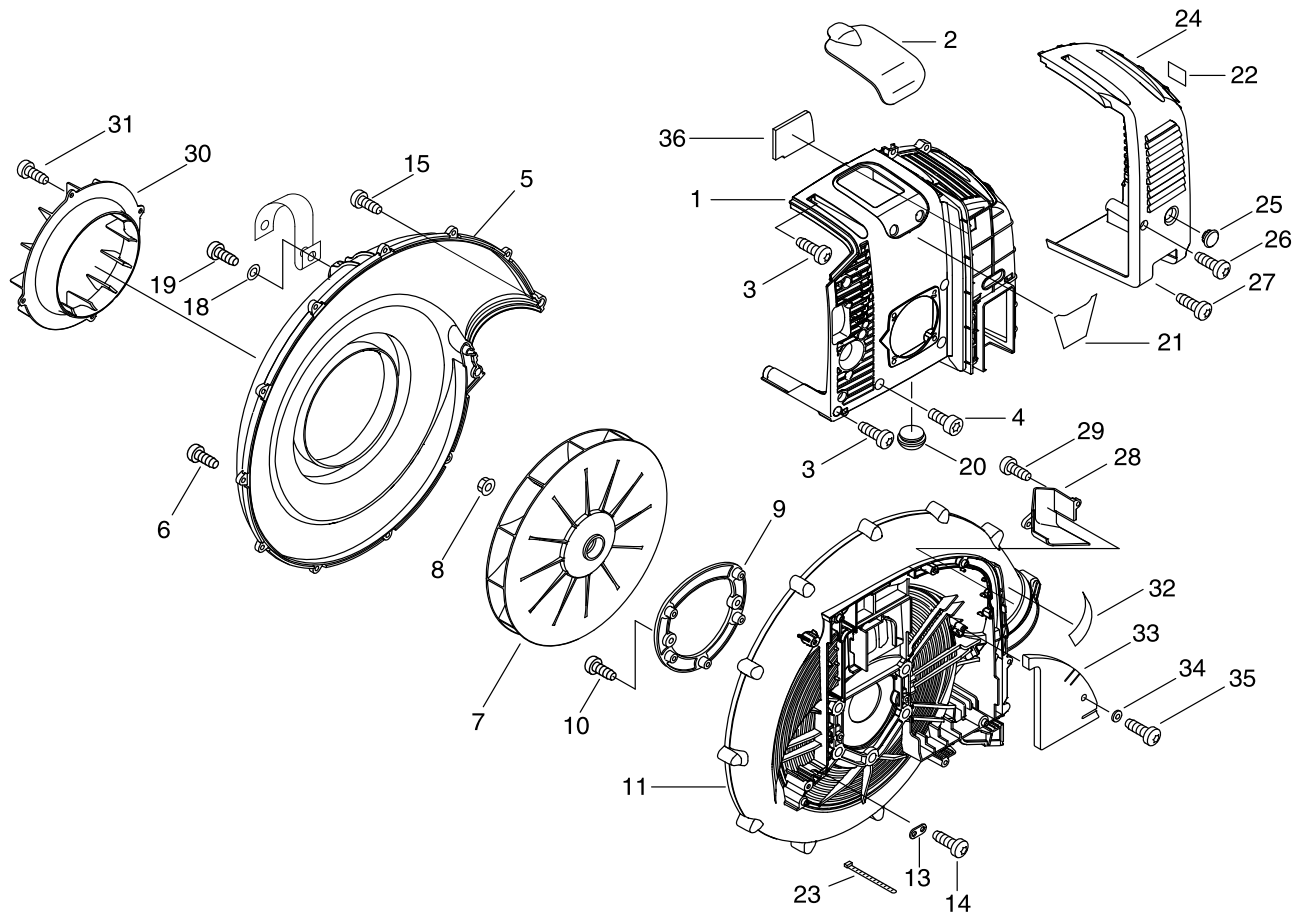
## 4. FUEL TANK



| KEY | LV | PART NUMBER  | Q'TY | DESCRIPTION         | REMARKS   | NOTE1 | NOTE2 |
|-----|----|--------------|------|---------------------|-----------|-------|-------|
| 1   |    | A350-000980  | 1    | TANK, FUEL          |           |       |       |
| 2   |    | A392-000280  | 1    | BAND, FUEL TANK     | PB-760LN  |       |       |
| 3   |    | 131004-55530 | 1    | CAP ASSY, FUEL TANK |           |       |       |
| 4   | +  | 131016-55830 | 1    | GASKET, FUEL CAP    |           |       |       |
| 5   | +  | 131051-56030 | 1    | CLIP, FUEL CAP      | 100L      |       |       |
| 7   |    | V471-002310  | 1    | PIPE                | 3*6*130   |       |       |
| 8   |    | 132115-55930 | 1    | GROMMET, FUEL       |           |       |       |
| 9   |    | V490-001240  | 2    | CLIP                |           |       |       |
| 10  |    | A369-000001  | 1    | STRAINER, FUEL      | 125-528   |       |       |
| 12  |    | A356-000031  | 1    | VALVE,CHECK         |           |       |       |
| 13  |    | 131328-40630 | 1    | COVER, VENT         |           |       |       |
| 14  |    | V471-001470  | 1    | PIPE                | 2.4*5*200 |       |       |
| 15  |    | V490-001230  | 1    | CLIP                |           |       |       |
| 16  |    | V475-004400  | 1    | TUBE                | 16*18*L40 |       |       |
| 17  |    | V420-004620  | 1    | CUSHION             |           |       |       |
| 18  |    | V470-000860  | 1    | PIPE                | L240      |       |       |

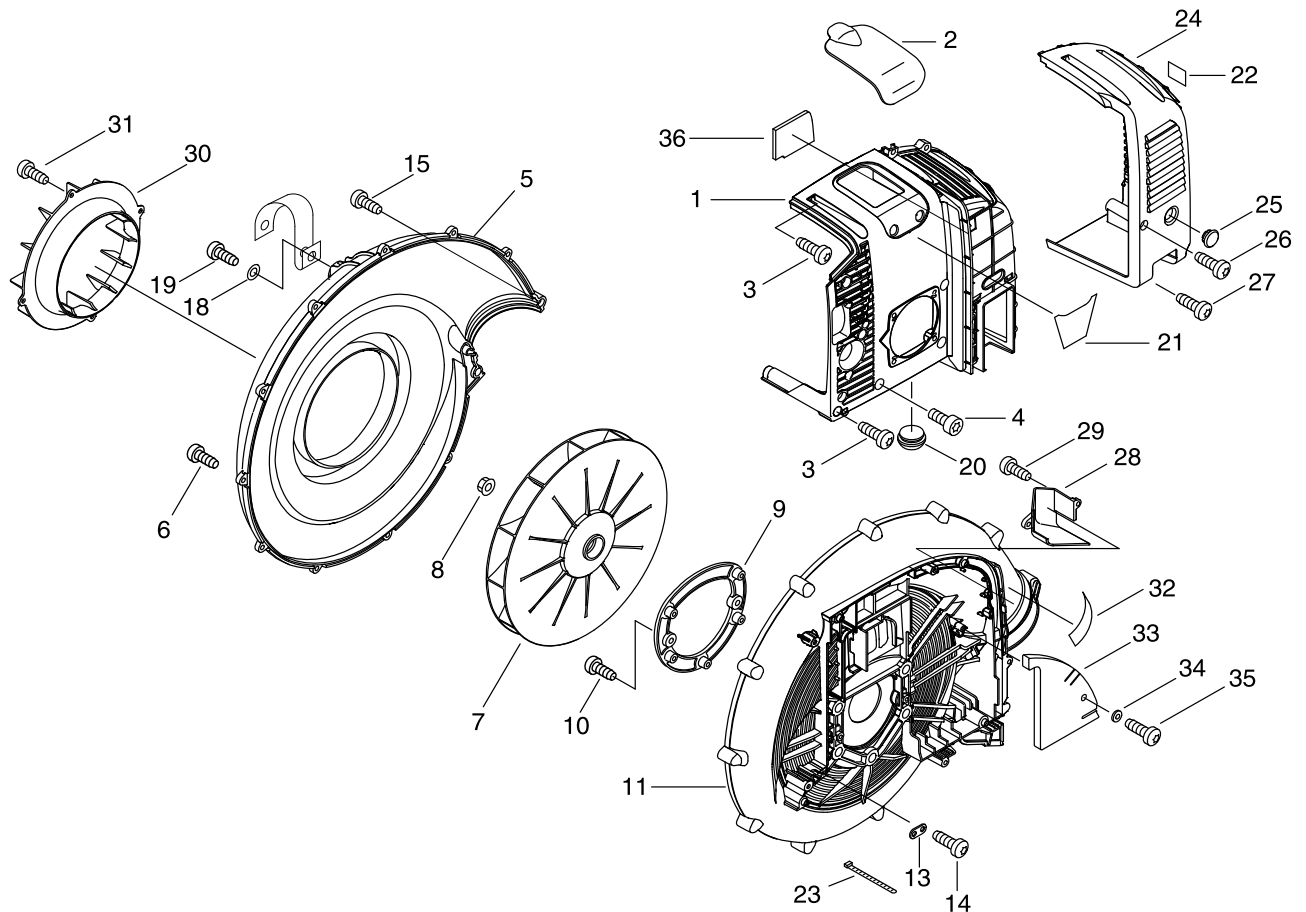


## 5. FAN CASE



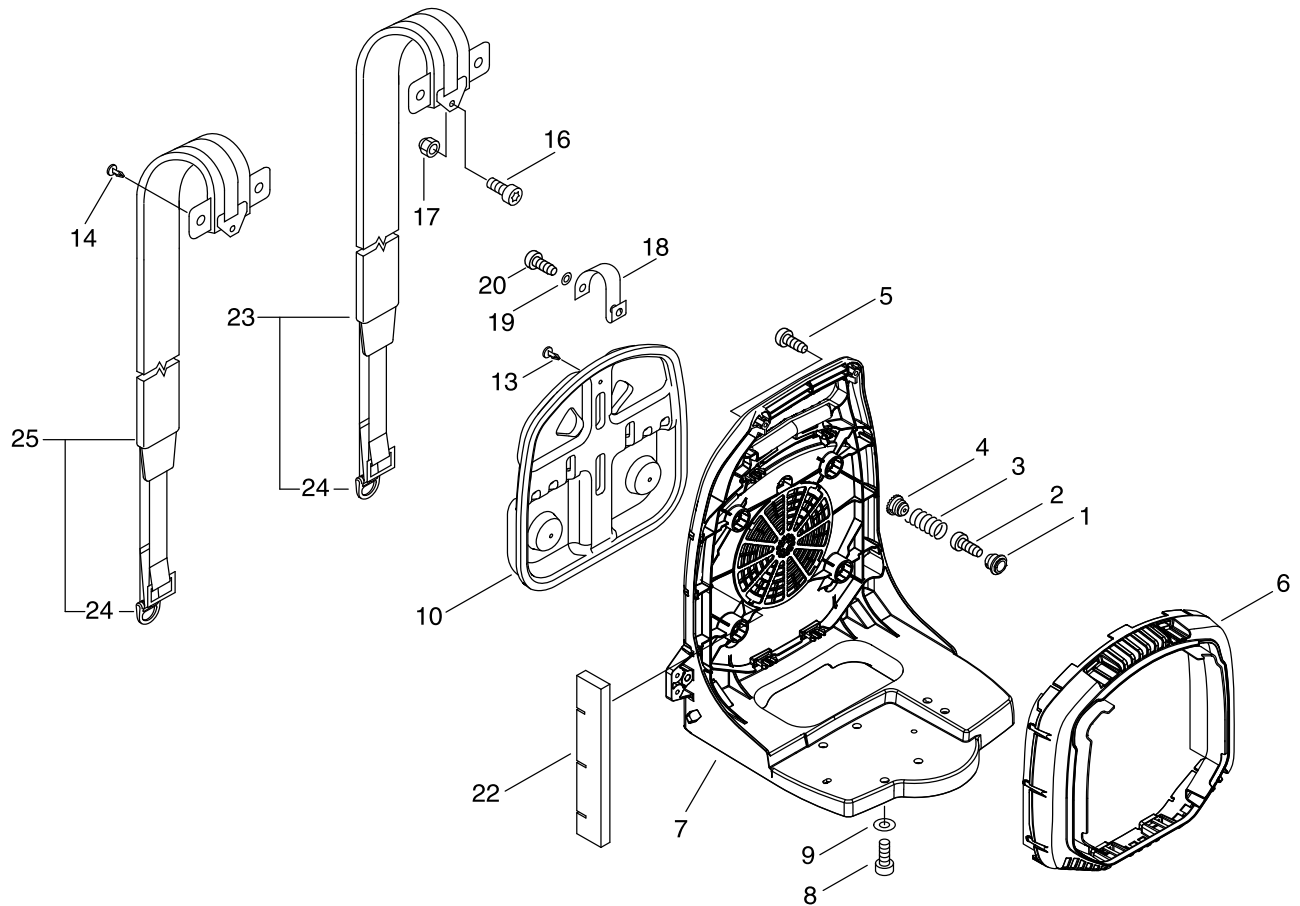
| KEY | LV | PART NUMBER  | Q'TY | DESCRIPTION      | REMARKS         | NOTE1 | NOTE2 |
|-----|----|--------------|------|------------------|-----------------|-------|-------|
| 1   |    | A190-001330  | 1    | COVER,ENGINE     | PB-770LN        |       |       |
| 2   |    | A429-000060  | 1    | COVER,CAP        |                 |       |       |
| 3   |    | V805-000010  | 4    | BOLT, TORX 5     | TT-5*20 DG 10.9 |       |       |
| 4   |    | V805-000150  | 4    | BOLT, TORX 5     | TB-5*16 10.9    |       |       |
| 5   |    | E103-000682  | 1    | CASE,FAN         |                 |       |       |
| 6   |    | V805-000010  | 10   | BOLT, TORX 5     | TT-5*20 DG 10.9 |       |       |
| 7   |    | E100-000080  | 1    | FAN,BLOWER       |                 |       |       |
| 8   |    | 900519-00010 | 1    | NUT, FLANGE 10   | 10*1.25         |       |       |
| 9   |    | C632-000100  | 1    | PLATE, ENG       |                 |       |       |
| 10  |    | V805-000000  | 2    | BOLT, TORX 5     | TT-5*16 DG 10.9 |       |       |
| 11  |    | E103-001180  | 1    | CASE,FAN         | PB-760LN        |       |       |
| 13  |    | V150-001350  | 1    | PLATE,EYE        |                 |       |       |
| 14  |    | V805-000000  | 1    | BOLT, TORX 5     | TT-5*16 DG 10.9 |       |       |
| 15  |    | V805-000010  | 2    | BOLT, TORX 5     | TT-5*20 DG 10.9 |       |       |
| 18  |    | 613019-07350 | 1    | WASHER 5.5*16*2T | 5.5*16*2T       |       |       |
| 19  |    | V805-000010  | 1    | BOLT, TORX 5     | TT-5*20 DG 10.9 |       |       |
| 20  |    | V420-000910  | 1    | CUSHION          |                 |       |       |
| 21  |    | X547-002360  | 1    | LABEL,ECHO       |                 |       |       |
| 22  |    | X505-002310  | 1    | LABEL,CAUTION    | HOT CAUTION     |       |       |
| 23  |    | 178121-43230 | 1    | BAND             | CV-150 BL       |       |       |

## 5. FAN CASE



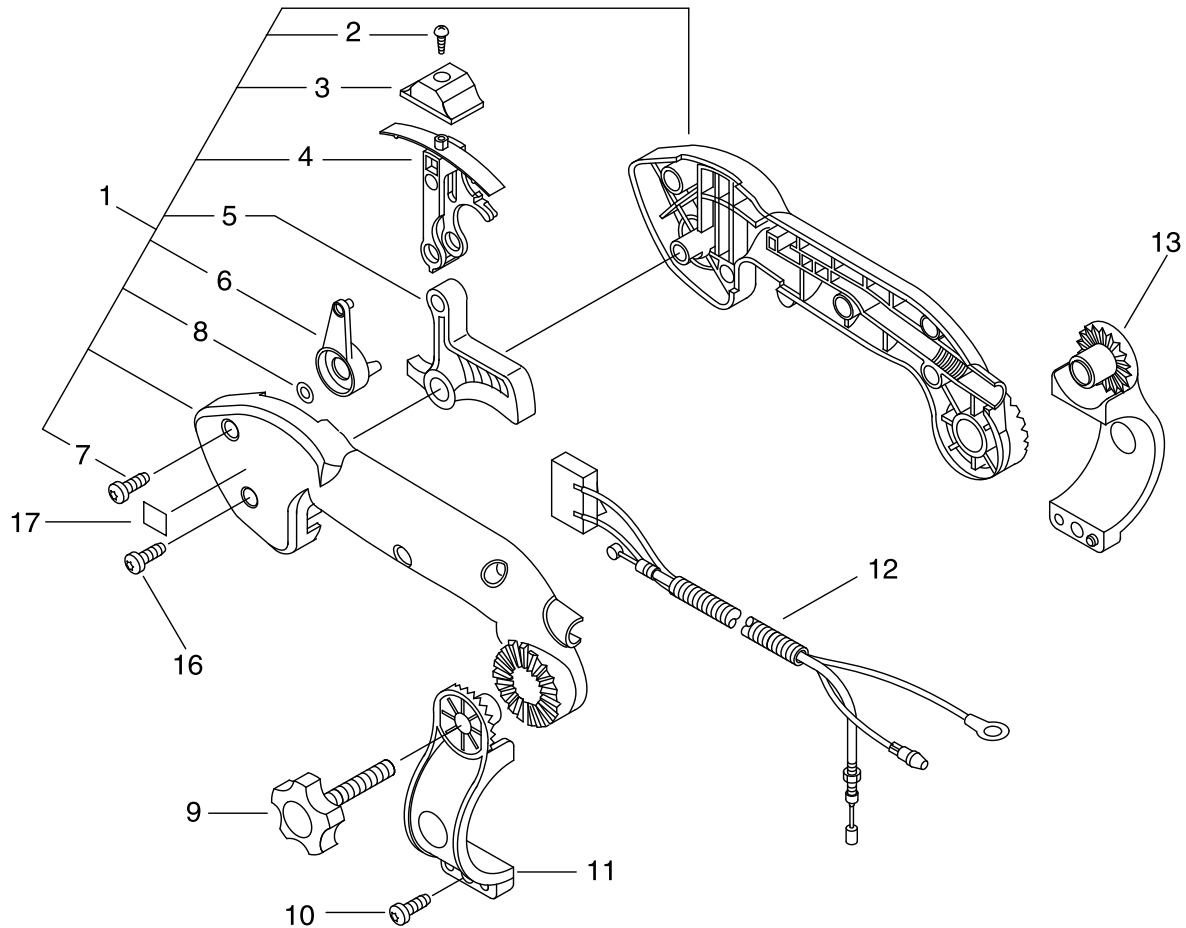
| KEY | LV | PART NUMBER | Q'TY | DESCRIPTION       | REMARKS         | NOTE1 | NOTE2 |
|-----|----|-------------|------|-------------------|-----------------|-------|-------|
| 24  |    | A190-001340 | 1    | COVER,ENGINE      | PB-760LN        |       |       |
| 25  |    | V162-000690 | 1    | PLUG              |                 |       |       |
| 26  |    | V805-000000 | 2    | BOLT, TORX 5      | TT-5*16 DG 10.9 |       |       |
| 27  |    | V805-000230 | 4    | BOLT, TORX 5      | TT-5*25 DG 10.9 |       |       |
| 28  |    | E109-000070 | 1    | LID,FANCASE       | PB-770LN        |       |       |
| 29  |    | V805-000000 | 2    | BOLT, TORX 5      | TT-5*16 DG 10.9 |       |       |
| 30  |    | E104-000220 | 1    | GRID, BLOWER      | PB-770LN        |       |       |
| 31  |    | V805-000000 | 4    | BOLT, TORX 5      | TT-5*16 DG 10.9 |       |       |
| 32  |    | X505-002080 | 1    | LABEL,CAUTION     |                 |       |       |
| 33  |    | V129-000180 | 1    | PAD,FOAM          |                 |       |       |
| 34  |    | V323-000060 | 1    | WASHER,CIRCULAR 5 |                 |       |       |
| 35  |    | V805-000000 | 1    | BOLT, TORX 5      | TT-5*16 DG 10.9 |       |       |
| 36  |    | A209-000760 | 1    | PLATE, INSULATOR  |                 |       |       |

## 6. BACKPACK HARNESS



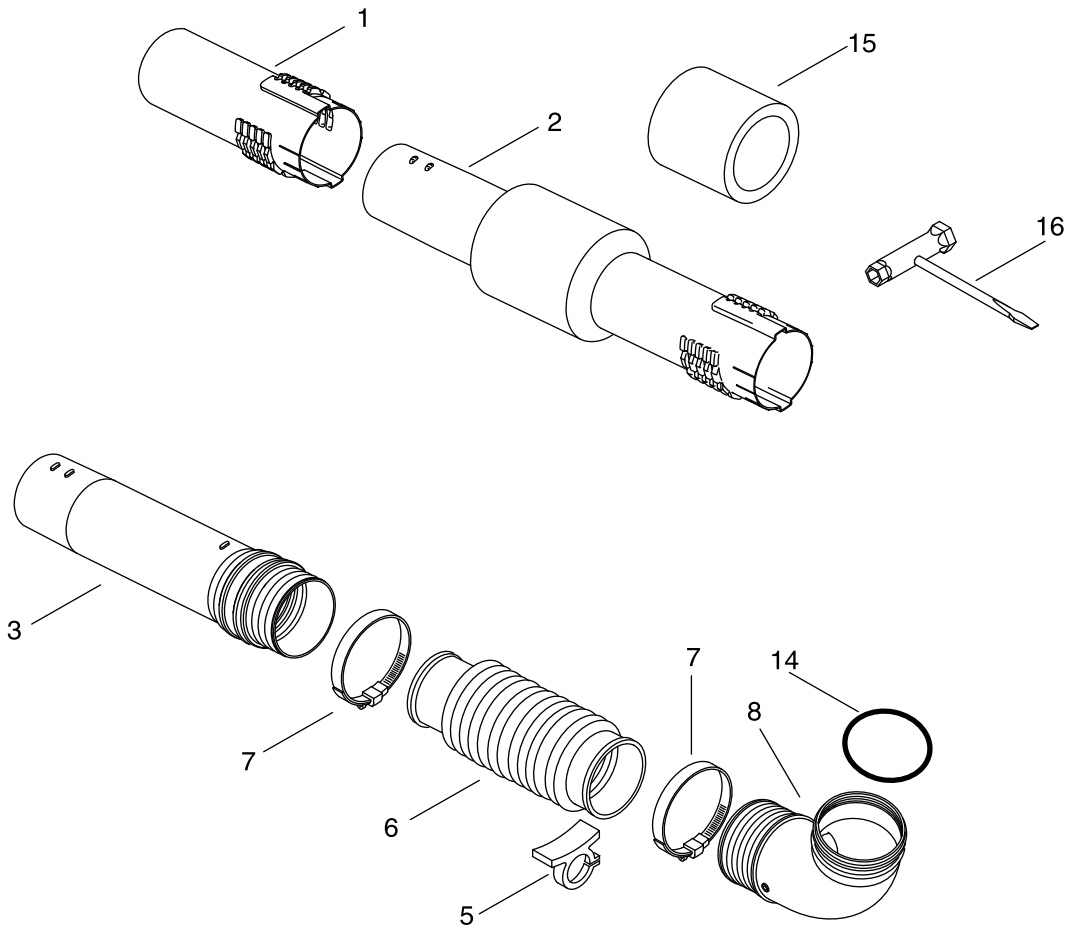
| KEY | LV | PART NUMBER  | Q'TY | DESCRIPTION        | REMARKS         | NOTE1 | NOTE2 |
|-----|----|--------------|------|--------------------|-----------------|-------|-------|
| 1   |    | V456-000260  | 4    | HOLDER,SPRING      |                 |       |       |
| 2   |    | V805-000000  | 4    | BOLT, TORX 5       | TT-5*16 DG 10.9 |       |       |
| 3   |    | V450-000780  | 4    | SPRING,COMPRESSION | 2.6-19.4-46.2   |       |       |
| 4   |    | V456-000271  | 4    | HOLDER,SPRING      |                 |       |       |
| 5   |    | V805-000010  | 4    | BOLT, TORX 5       | TT-5*20 DG 10.9 |       |       |
| 6   |    | E104-000230  | 1    | GRID, BLOWER       | PB-770LN        |       |       |
| 7   |    | C620-000333  | 1    | FRAME, BACKPACK    |                 |       |       |
| 8   |    | V805-000170  | 6    | BOLT, TORX 5       | TB-5*25 10.9    |       |       |
| 9   |    | 613019-07350 | 6    | WASHER 5.5*16*2T   | 5.5*16*2T       |       |       |
| 10  |    | C630-000190  | 1    | SEAT, BACKPACK     | PB-765LN        |       |       |
| 13  |    | V491-000090  | 3    | CLIP               |                 |       |       |
| 14  |    | V491-000120  | 3    | CLIP               |                 |       |       |
| 16  |    | V805-000050  | 2    | BOLT, TORX 5       | TB-5*30 10.9    |       |       |
| 17  |    | 900562-50005 | 2    | LOCKNUT 5          | 5               |       |       |
| 18  |    | C617-000380  | 1    | STOPPER            | T:1.2X100       |       |       |
| 19  |    | 613019-07350 | 1    | WASHER 5.5*16*2T   | 5.5*16*2T       |       |       |
| 20  |    | V805-000010  | 1    | BOLT, TORX 5       | TT-5*20 DG 10.9 |       |       |
| 22  |    | V129-000170  | 2    | PAD,FOAM           |                 |       |       |
| 23  |    | P021-042930  | 1    | HARNESS,BACKPACK-S |                 |       |       |
| 24  | +  | C645-000080  | 1    | BUCKLE, HARNESS    |                 |       |       |
| 25  |    | P021-042920  | 1    | HARNESS,BACKPACK-S |                 |       |       |
| 24  | +  | C645-000080  | 1    | BUCKLE, HARNESS    |                 |       |       |

## 7. THROTTLE



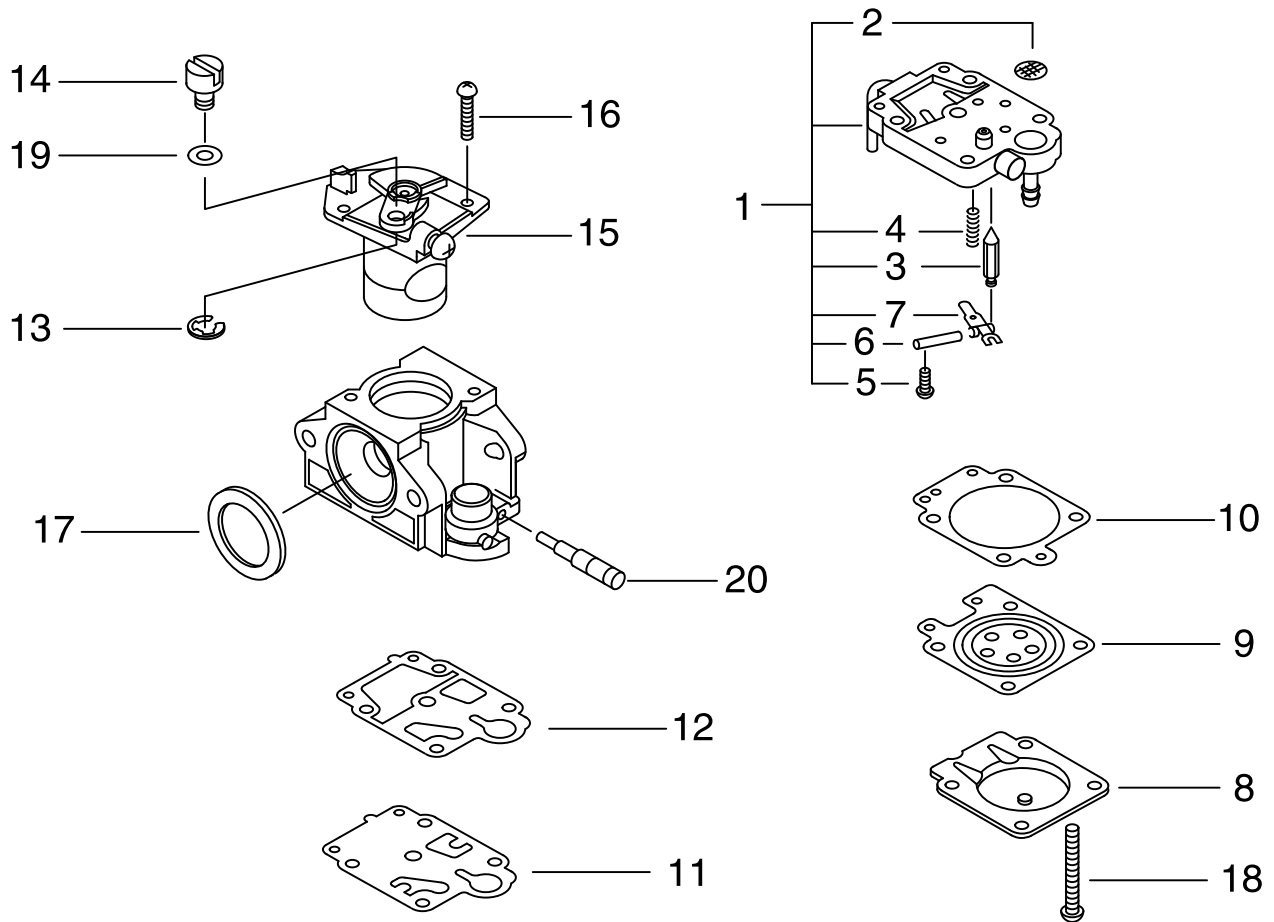
| KEY | LV | PART NUMBER  | Q'TY | DESCRIPTION        | REMARKS         | NOTE1 | NOTE2 |
|-----|----|--------------|------|--------------------|-----------------|-------|-------|
| 1   |    | P021-017293  | 1    | FRONT HANDLE ASY   |                 |       |       |
| 2   | +  | 91545-03014  | 1    | SCREW TAPTITE-P    |                 |       |       |
| 3   | +  | E151-000000  | 1    | KNOB,LEVER         | ACT#040504-A1   |       |       |
| 4   | +  | C453-000211  | 1    | LEVER, THROTTLE    |                 |       |       |
| 5   | +  | C450-000391  | 1    | CONTROL, THROTTLE  |                 |       |       |
| 6   | +  | C453-000203  | 1    | LEVER, THROTTLE    |                 |       |       |
| 7   | +  | V805-000010  | 4    | BOLT, TORX 5       | TT-5*20 DG 10.9 |       |       |
| 8   | +  | V303-000100  | 1    | WASHER,CIRCULAR 5  | 5.2*8*0.5       |       |       |
| 9   |    | 305812-08260 | 1    | KNOB, FASTENER     |                 |       |       |
| 10  |    | V805-000010  | 1    | BOLT, TORX 5       | TT-5*20 DG 10.9 |       |       |
| 11  |    | C405-000360  | 1    | BRACKET,HANDLE     |                 |       |       |
| 12  |    | V043-000340  | 1    | CABLE ASY, CONTROL |                 |       |       |
| 13  |    | C405-000370  | 1    | BRACKET,HANDLE     |                 |       |       |
| 16  |    | V805-000230  | 1    | BOLT, TORX 5       | TT-5*25 DG 10.9 |       |       |
| 17  |    | X505-000950  | 1    | LABEL,CAUTION      |                 |       |       |

8. PIPE



| KEY | LV | PART NUMBER | Q'TY | DESCRIPTION   | REMARKS         | NOTE1 | NOTE2 |
|-----|----|-------------|------|---------------|-----------------|-------|-------|
| 1   |    | E165-000620 | 1    | PIPE,BLOWER   |                 |       |       |
| 2   |    | E165-000610 | 1    | PIPE,BLOWER   |                 |       |       |
| 3   |    | E165-000311 | 1    | PIPE,BLOWER   |                 |       |       |
| 5   |    | V491-000191 | 1    | CLIP          |                 |       |       |
| 6   |    | E164-000090 | 1    | PIPE,FLEXIBLE |                 |       |       |
| 7   |    | V495-000440 | 2    | BAND          | 77.8MM /101.6MM |       |       |
| 8   |    | E160-000130 | 1    | PIPE,MAIN     |                 |       |       |
| 14  |    | 92501-09500 | 1    | O-RING        |                 |       |       |
| 15  |    | V129-000160 | 1    | PAD,FOAM      |                 |       |       |
| 16  |    | X602-000120 | 1    | TOOL,WRENCH   | 19-13           |       |       |

## 9. CARBURETOR



| KEY | LV | PART NUMBER  | Q'TY | DESCRIPTION          | REMARKS | NOTE1 | NOTE2 |
|-----|----|--------------|------|----------------------|---------|-------|-------|
|     |    | A021-003970  | 1    | CARBURETOR,DIAPHRAGM | WYK     |       |       |
| 1   | +  | P003-005160  | 1    | BODY ASSEMBLY, PUMP  |         |       |       |
| 2   | ++ | 123126-10631 | 1    | SCREEN, INLET        |         |       |       |
| 3   | ++ | 123137-19830 | 1    | VALVE, INLET NEEDLE  |         |       |       |
| 4   | ++ | P003-000450  | 1    | SPRING, METER. LEVER |         |       |       |
| 5   | ++ | 123139-05560 | 1    | SCREW, M. LEVER PIN  |         |       |       |
| 6   | ++ | 123138-03930 | 1    | PIN, METERING LEVER  |         |       |       |
| 7   | ++ | 123123-03930 | 1    | LEVER, METERING      |         |       |       |
| 8   | +  | 123142-03930 | 1    | COVER, M. DIAPHRAGM  |         |       |       |
| 9   | +  | P003-001850  | 1    | DIAPHRAGM, METERING  |         |       |       |
| 10  | +  | 123140-27230 | 1    | GASKET, M. DIAPHRAGM |         |       |       |
| 11  | +  | 123112-40630 | 1    | DIAPHRAGM, PUMP      |         |       |       |
| 12  | +  | P003-000100  | 1    | GASKET, PUMP         |         |       |       |
| 13  | +  | 123173-07930 | 1    | CLIP                 |         |       |       |
| 14  | +  | 123172-45130 | 1    | SWIVEL               |         |       |       |
| 15  | +  | P003-004130  | 1    | VALVE, THROTTLE      |         |       |       |
| 16  | +  | P003-002400  | 2    | SCREW                |         |       |       |
| 17  | +  | 123143-12110 | 1    | RING, PACKING        |         |       |       |
| 18  | +  | 123144-44330 | 4    | SCREW                |         |       |       |
| 19  | +  | 123149-54230 | 1    | WASHER               |         |       |       |
| 20  | +  | P003-004900  | 1    | NEEDLE               |         |       |       |

**Index**

| <b>Patrs Number</b> | <b>Key No.</b> | <b>Patrs Number</b> | <b>Key No.</b> | <b>Patrs Number</b> | <b>Key No.</b> |
|---------------------|----------------|---------------------|----------------|---------------------|----------------|
| 100015-00120        | 1 - 15         | A127-000240         | 1 - 27         | E160-000130         | 8 - 8          |
| 123112-40630        | 9 - 11         | A127-000400         | 1 - 31         | E164-000090         | 8 - 6          |
| 123123-03930        | 9 - 7          | A130-002130         | 1 - 3          | E165-000311         | 8 - 3          |
| 123126-10631        | 9 - 2          | A160-001242         | 1 - 8          | E165-000610         | 8 - 2          |
| 123137-19830        | 9 - 3          | A190-001330         | 5 - 1          | E165-000620         | 8 - 1          |
| 123138-03930        | 9 - 6          | A190-001340         | 5 - 24         | P003-000100         | 9 - 12         |
| 123139-05560        | 9 - 5          | A201-000010         | 3 - 13         | P003-000450         | 9 - 4          |
| 123140-27230        | 9 - 10         | A202-000090         | 3 - 15         | P003-001850         | 9 - 9          |
| 123142-03930        | 9 - 8          | A205-000020         | 3 - 12         | P003-002400         | 9 - 16         |
| 123143-12110        | 9 - 17         | A209-000760         | 5 - 36         | P003-004130         | 9 - 15         |
| 123144-44330        | 9 - 18         | A209-000770         | 1 - 9          | P003-004900         | 9 - 20         |
| 123149-54230        | 9 - 19         | A226-000410         | 3 - 5          | P003-005160         | 9 - 1          |
| 123172-45130        | 9 - 14         | A226-000480         | 3 - 3          | P021-002983         | 1 - 10         |
| 123173-07930        | 9 - 13         | A227-000030         | 3 - 4          | P021-017260         | 1 - 20         |
| 123181-39130        | 3 - 10         | A230-000060         | 3 - 26         | P021-017281         | 3 - 8          |
| 131004-55530        | 4 - 3          | A232-000551         | 3 - 2          | P021-017293         | 7 - 1          |
| 131016-55830        | 4 - 4          | A235-000020         | 3 - 1          | P021-042790         | 2 - 30         |
| 131051-56030        | 4 - 5          | A244-000090         | 3 - 7          | P021-042920         | 6 - 25         |
| 131328-40630        | 4 - 13         | A310-000000         | 2 - 31         | P021-042930         | 6 - 23         |
| 131911-03460        | 3 - 19         | A313-001950         | 2 - 33         | P022-002100         | 2 - 11         |
| 132115-55930        | 4 - 8          | A322-000160         | 2 - 35         | P022-003120         | 2 - 13         |
| 156112-40630        | 1 - 7          | A350-000980         | 4 - 1          | P022-003130         | 2 - 12         |
| 159011-03432        | 2 - 7          | A356-000031         | 4 - 12         | P022-004680         | 2 - 21         |
| 159012-03433        | 2 - 6          | A369-000001         | 4 - 10         | P022-010221         | 2 - 17         |
| 177227-42030        | 2 - 23         | A392-000280         | 4 - 2          | P022-010231         | 2 - 18         |
| 177228-11620        | 2 - 24         | A409-000390         | 2 - 1          | P022-010250         | 2 - 16         |
| 177236-61830        | 2 - 15         | A411-000490         | 2 - 2          | P022-010260         | 2 - 25         |
| 178121-43230        | 5 - 23         | A425-000050         | 2 - 8          | P022-010270         | 2 - 22         |
| 305812-08260        | 7 - 9          | A429-000060         | 5 - 2          | V043-000340         | 7 - 12         |
| 613019-07350        | 2 - 39         | A506-000040         | 2 - 20         | V100-000770         | 1 - 4          |
| 613019-07350        | 5 - 18         | C405-000360         | 7 - 11         | V102-000070         | 1 - 23         |
| 613019-07350        | 6 - 9          | C405-000370         | 7 - 13         | V103-000530         | 3 - 17         |
| 613019-07350        | 6 - 19         | C450-000391         | 7 - 5          | V103-001690         | 3 - 25         |
| 890332-52730        | 3 - 22         | C453-000203         | 7 - 6          | V104-000950         | 2 - 36         |
| 900323-03014        | 1 - 19         | C453-000211         | 7 - 4          | V104-002100         | 2 - 32         |
| 900330-40080        | 1 - 25         | C480-000130         | 3 - 18         | V129-000160         | 8 - 15         |
| 900519-00010        | 2 - 3          | C617-000380         | 6 - 18         | V129-000170         | 6 - 22         |
| 900519-00010        | 5 - 8          | C620-000333         | 6 - 7          | V129-000180         | 5 - 33         |
| 900562-50005        | 6 - 17         | C630-000190         | 6 - 10         | V150-001350         | 5 - 13         |
| 91545-03014         | 7 - 2          | C632-000100         | 5 - 9          | V162-000690         | 5 - 25         |
| 92501-09500         | 8 - 14         | C645-000080         | 6 - 24         | V303-000050         | 2 - 19         |
| 94032-36302         | 1 - 24         | C645-000080         | 6 - 24         | V303-000100         | 7 - 8          |
| A011-001260         | 1 - 18         | E100-000080         | 5 - 7          | V307-000060         | 1 - 16         |
| A021-003970         | 3 - 11         | E103-000682         | 5 - 5          | V323-000060         | 1 - 6          |
| A021-003970         | 9 -            | E103-001180         | 5 - 11         | V323-000060         | 5 - 34         |
| A051-000841         | 2 - 14         | E104-000220         | 5 - 30         | V351-000000         | 3 - 23         |
| A052-000270         | 2 - 10         | E104-000230         | 6 - 6          | V420-000910         | 5 - 20         |
| A101-000020         | 1 - 12         | E109-000070         | 5 - 28         | V420-004620         | 4 - 17         |
| A101-000030         | 1 - 11         | E151-000000         | 7 - 3          | V450-000780         | 6 - 3          |

**Index**

| <b>Patrs Number</b> | <b>Key No.</b> | <b>Patrs Number</b> | <b>Key No.</b> | <b>Patrs Number</b> | <b>Key No.</b> |
|---------------------|----------------|---------------------|----------------|---------------------|----------------|
| V456-000260         | 6 - 1          | V805-000230         | 7 - 16         |                     |                |
| V456-000271         | 6 - 4          | V805-000250         | 2 - 38         |                     |                |
| V470-000860         | 4 - 18         | V806-000050         | 2 - 37         |                     |                |
| V471-001240         | 3 - 21         | V806-000060         | 1 - 26         |                     |                |
| V471-001470         | 4 - 14         | X502-000460         | 2 - 27         |                     |                |
| V471-002310         | 4 - 7          | X505-000950         | 7 - 17         |                     |                |
| V475-004400         | 4 - 16         | X505-002080         | 5 - 32         |                     |                |
| V485-001170         | 2 - 5          | X505-002310         | 5 - 22         |                     |                |
| V485-001180         | 1 - 29         | X547-002360         | 5 - 21         |                     |                |
| V490-001230         | 4 - 15         | X602-000120         | 8 - 16         |                     |                |
| V490-001240         | 4 - 9          |                     |                |                     |                |
| V491-000090         | 6 - 13         |                     |                |                     |                |
| V491-000120         | 6 - 14         |                     |                |                     |                |
| V491-000191         | 8 - 5          |                     |                |                     |                |
| V495-000440         | 8 - 7          |                     |                |                     |                |
| V508-000010         | 1 - 22         |                     |                |                     |                |
| V555-000010         | 1 - 17         |                     |                |                     |                |
| V608-000010         | 1 - 14         |                     |                |                     |                |
| V804-000000         | 3 - 27         |                     |                |                     |                |
| V804-000080         | 2 - 34         |                     |                |                     |                |
| V805-000000         | 3 - 20         |                     |                |                     |                |
| V805-000000         | 5 - 10         |                     |                |                     |                |
| V805-000000         | 5 - 14         |                     |                |                     |                |
| V805-000000         | 5 - 26         |                     |                |                     |                |
| V805-000000         | 5 - 29         |                     |                |                     |                |
| V805-000000         | 5 - 31         |                     |                |                     |                |
| V805-000000         | 5 - 35         |                     |                |                     |                |
| V805-000000         | 6 - 2          |                     |                |                     |                |
| V805-000010         | 3 - 9          |                     |                |                     |                |
| V805-000010         | 5 - 3          |                     |                |                     |                |
| V805-000010         | 5 - 6          |                     |                |                     |                |
| V805-000010         | 5 - 15         |                     |                |                     |                |
| V805-000010         | 5 - 19         |                     |                |                     |                |
| V805-000010         | 6 - 5          |                     |                |                     |                |
| V805-000010         | 6 - 20         |                     |                |                     |                |
| V805-000010         | 7 - 7          |                     |                |                     |                |
| V805-000010         | 7 - 10         |                     |                |                     |                |
| V805-000050         | 6 - 16         |                     |                |                     |                |
| V805-000090         | 3 - 6          |                     |                |                     |                |
| V805-000130         | 1 - 28         |                     |                |                     |                |
| V805-000140         | 3 - 14         |                     |                |                     |                |
| V805-000150         | 2 - 26         |                     |                |                     |                |
| V805-000150         | 5 - 4          |                     |                |                     |                |
| V805-000160         | 1 - 5          |                     |                |                     |                |
| V805-000160         | 2 - 4          |                     |                |                     |                |
| V805-000170         | 6 - 8          |                     |                |                     |                |
| V805-000180         | 1 - 21         |                     |                |                     |                |
| V805-000220         | 1 - 2          |                     |                |                     |                |
| V805-000230         | 5 - 27         |                     |                |                     |                |



# YAMABIKO CORPORATION

7-2 SUEHIROCHO 1-CHOME, OHME, TOKYO 198-8760, JAPAN  
PHONE: 81-428-32-6118. FAX: 81-428-32-6145.



12Jb  
No. 05-115