



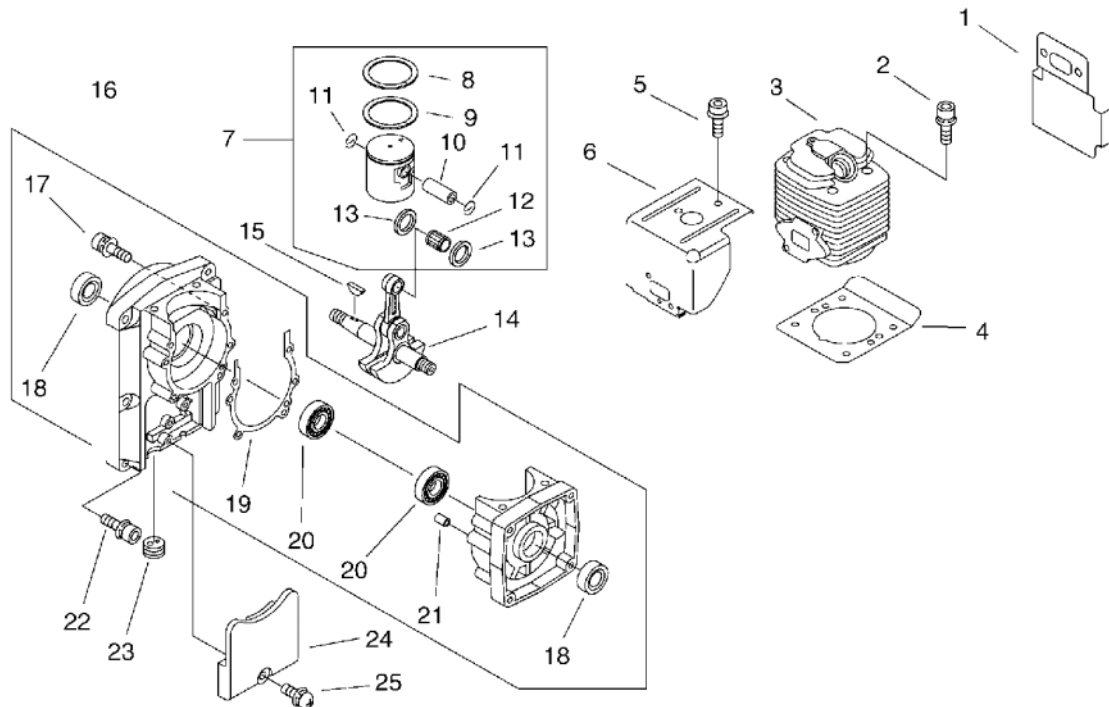
PARTS CATALOGUE

BACKPACK BLOWER

PB-655(36)

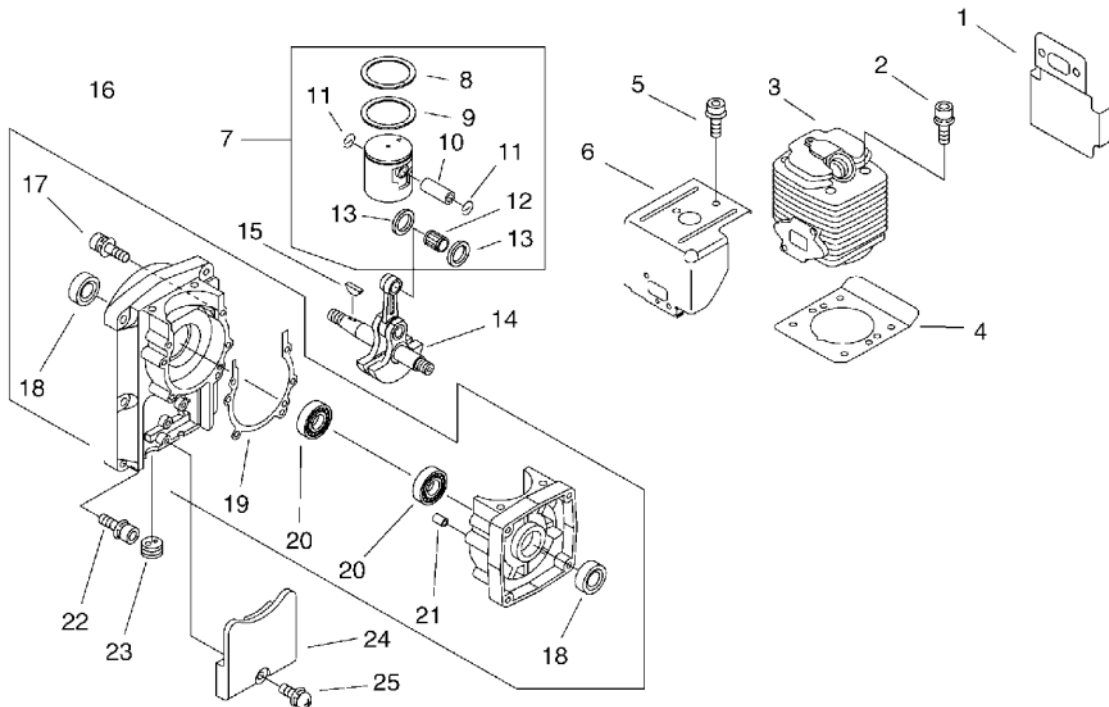
- 36001180

1. Cylinder, Crankcase, Piston(Sr/Nr 36001100 and before)



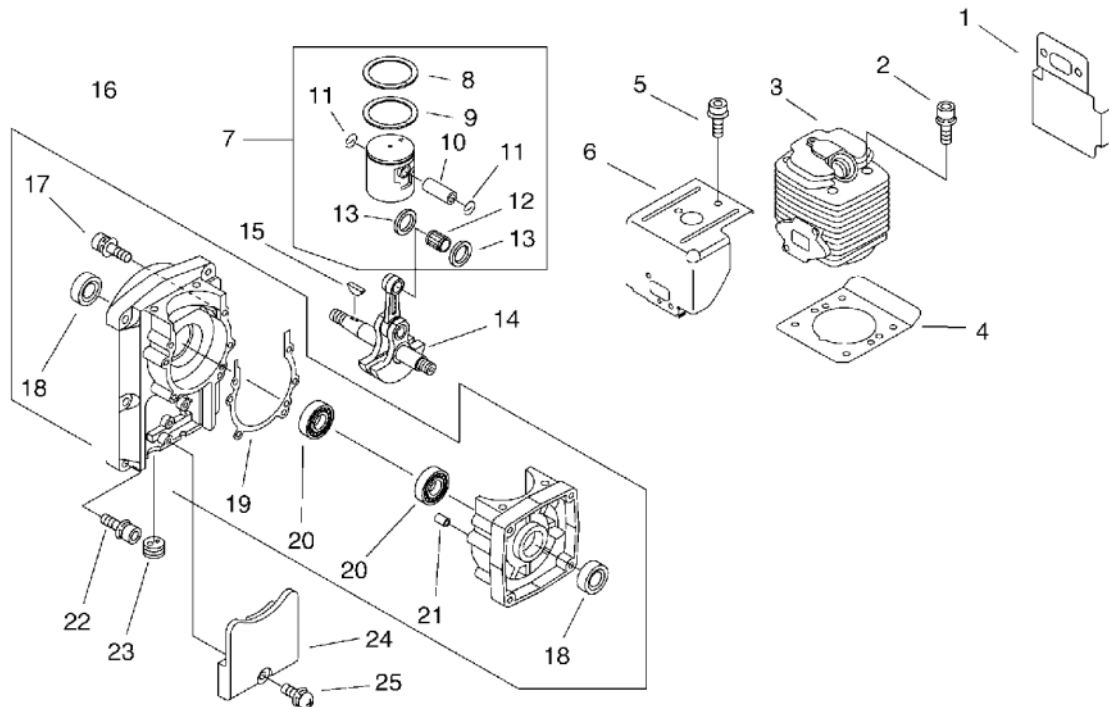
KEY	LV	PART NUMBER	Q'TY	DESCRIPTION	REMARKS	NOTE1	NOTE2
1		V104-000720	1	GASKET,EXHAUST			
2		900162-05025	4	BOLT, H.S. 5*25	5*25 W,SW		
3		A130-000510	1	CYLINDER		Sus. by A130-000512	
4		V100-000100	1	GASKET,CYL			
5		900106-05008	2	BOLT, H.S. 5* 8	5*8		
6		A160-000340	1	COVER,CYLINDER			
7		P021-002982	1	PISTON KIT			
8	+	A101-000030	1	RING,PISTON			
9	+	A101-000020	1	RING,PISTON			
10	+	V608-000010	1	PIN,ENG 10	6*10*40		
11	+	100015-00120	2	CIRCLIP, PISTON PIN			
12	+	V555-000010	1	BEARING,NEEDLE 10			
13	+	V307-000060	2	WASHER,CIRCULAR 10			
14		A011-000140	1	CRANKSHAFT,ASM			
15		900323-03014	1	KEY WOODRUFF	3*14		
16		P021-002991	1	CRANKCASE KIT			
17	+	900162-05035	4	BOLT, H.S. 5*35	5*35 W,SW		
18	+	V508-000010	2	SEAL,OIL 15	ISCD 15*25*7		
19	+	V102-000010	1	GASKET,CRANKCASE			
20	+	94032-36302	2	BEARING BALL	BB-6302		
21	+	100215-03930	2	PIN, DOWEL			
22		900162-06035	6	BOLT, H.S. 6*35	6*35 W,SW		
23		151112-04630	1	BUSHING			
24		159129-08260	1	COVER, DUST		Sus. by 159129-08261	

1. Cylinder, Crankcase, Piston(Sr/Nr 36001100 and before)



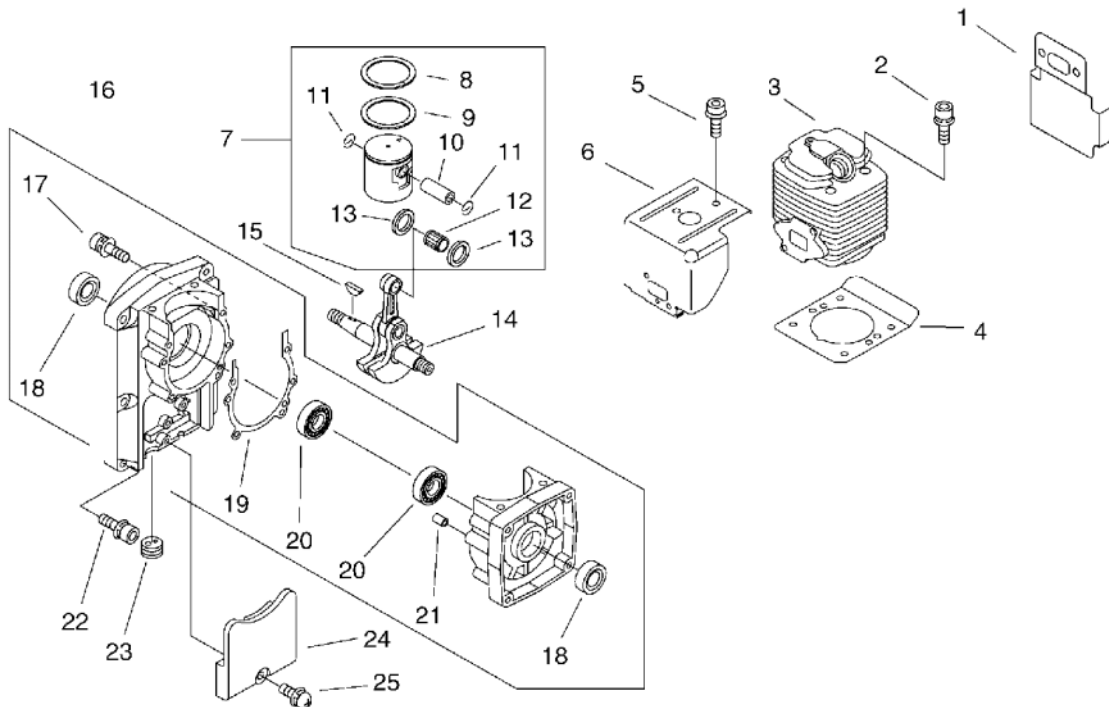
KEY	LV	PART NUMBER	Q'TY	DESCRIPTION	REMARKS	NOTE1	NOTE2
25		900162-05018	1	BOLT, H.S. 5*18	5*18 W,SW	Sus. by 900162-05022	

2. Cylinder, Crankcase, Piston(Sr/Nr 36001101 and after)



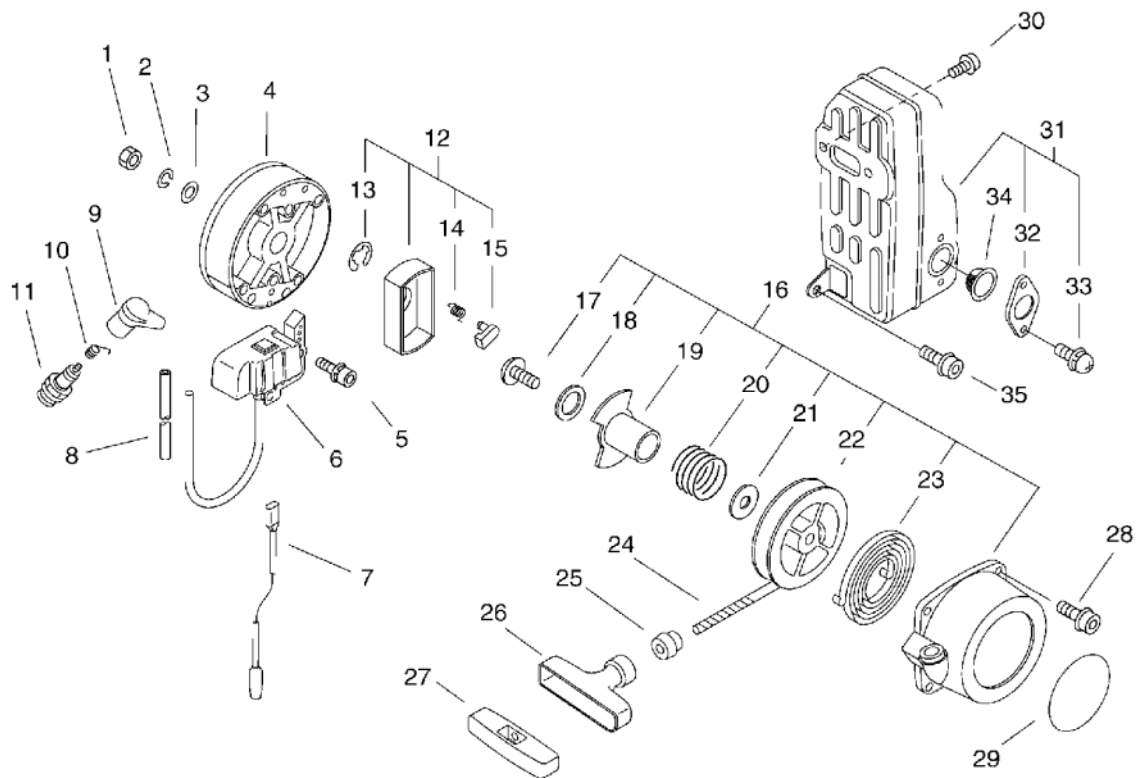
KEY	LV	PART NUMBER	Q'TY	DESCRIPTION	REMARKS	NOTE1	NOTE2
1		V104-000720	1	GASKET,EXHAUST			
2		900162-05025	4	BOLT, H.S. 5*25	5*25 W,SW		
3		A130-000510	1	CYLINDER			
3		A130-000511	1	CYLINDER		Sus. by A130-000512	
4		V100-000100	1	GASKET,CYL			
5		900106-05008	2	BOLT, H.S. 5* 8	5*8		
6		A160-000340	1	COVER,CYLINDER			
7		P021-002982	1	PISTON KIT			
8	+	A101-000030	1	RING,PISTON			
9	+	A101-000020	1	RING,PISTON			
10	+	V608-000010	1	PIN,ENG 10	6*10*40		
11	+	100015-00120	2	CIRCLIP, PISTON PIN			
12	+	V555-000010	1	BEARING,NEEDLE 10			
13	+	V307-000060	2	WASHER,CIRCULAR 10			
14		A011-000140	1	CRANKSHAFT,ASM			
15		900323-03014	1	KEY WOODRUFF	3*14		
16		P021-002991	1	CRANKCASE KIT			
17	+	900162-05035	4	BOLT, H.S. 5*35	5*35 W,SW		
18	+	V508-000010	2	SEAL,OIL 15	ISCD 15*25*7		
19	+	V102-000010	1	GASKET,CRANKCASE			
20	+	94032-36302	2	BEARING BALL	BB-6302		
21	+	100215-03930	2	PIN, DOWEL			
22		900162-06035	6	BOLT, H.S. 6*35	6*35 W,SW		
23		151112-04630	1	BUSHING			
24		159129-08260	1	COVER, DUST			

2. Cylinder, Crankcase, Piston(Sr/Nr 36001101 and after)



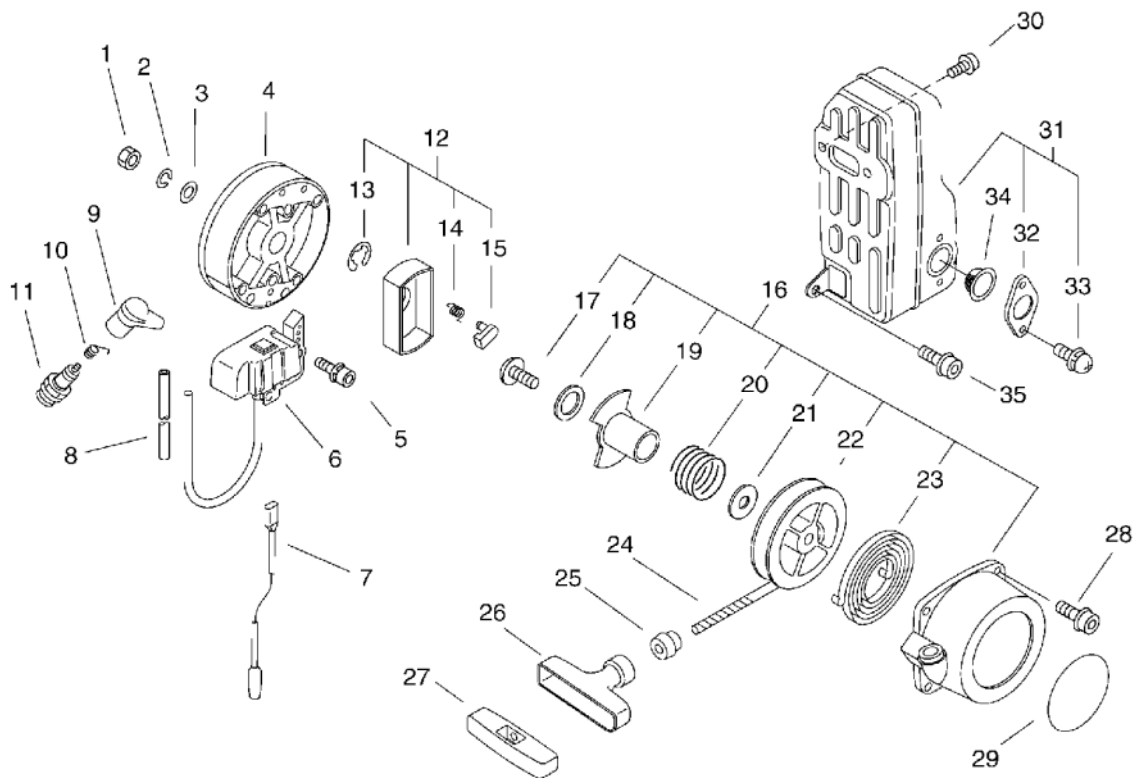
KEY	LV	PART NUMBER	Q'TY	DESCRIPTION	REMARKS	NOTE1	NOTE2
25		900162-05018	1	BOLT, H.S. 5*18	5*18 W,SW	Sus. by 900162-05022	
25		900162-05022	1	BOLT, H.S. 5*22	5*22 W,SW		

3. Starter, Magneto, Muffler(Sr/Nr 36001100 and before)



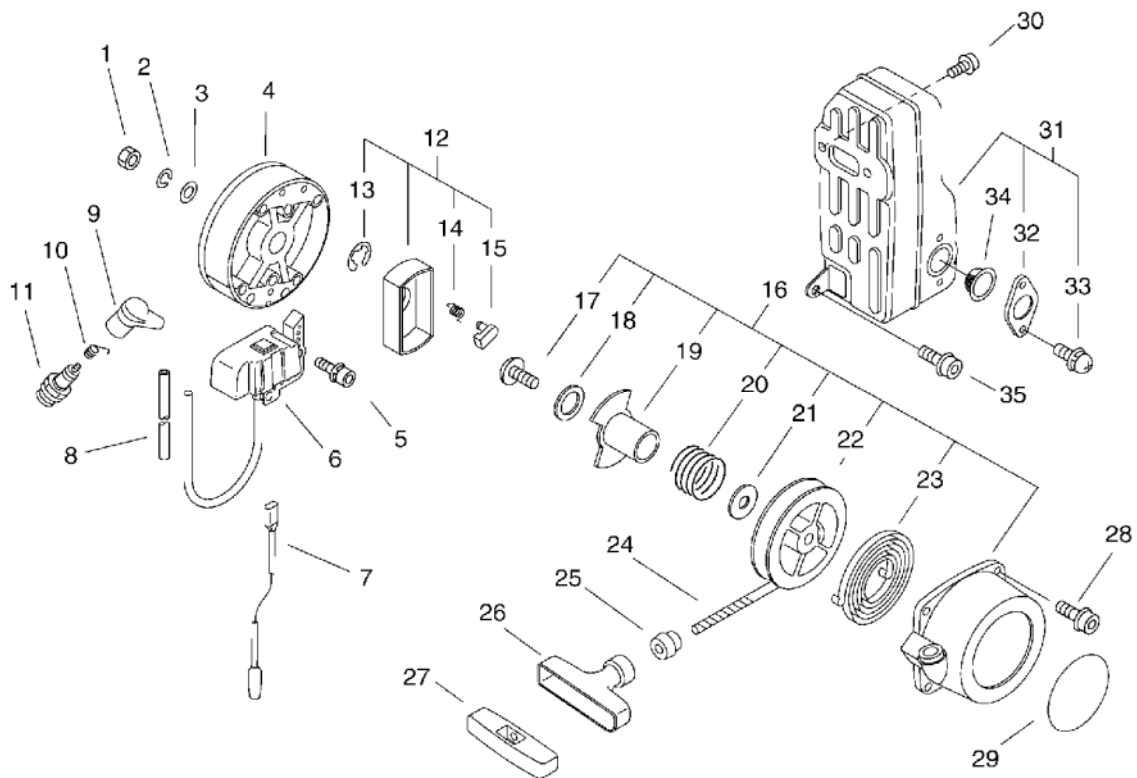
KEY	LV	PART NUMBER	Q'TY	DESCRIPTION	REMARKS	NOTE1	NOTE2
1		900501-00010	1	NUT 10*1.25	10*P1.25		
2		900605-00010	1	WASHER, SPRING 10	10		
3		900602-00010	1	WASHER 10(10.5*21*2)	10.5*21*2		
4		A409-000250	1	ROTOR, MAGNETO	VAMAG ID C9014		
5		900162-05022	2	BOLT, H.S. 5*22	5*22 W,SW		
6		A415-000000	1	MODULE, CDI			
7		V485-000190	1	LEAD			
8		156111-06160	1	TUBE 6.3*8*380	6.3*8*380		
9		159012-03433	1	CAP, SPARK PLUG			
10		159011-03432	1	COIL, SPARK PLUG			
11		A425-000000	1	SPARKPLUG	BPMR8Y		
12		A052-000042	1	PULLEY, ASM STARTER			
13	+	P022-002100	2	E-RING	4		
14	+	P022-003130	2	SPRING, RETURN			
15	+	P022-003120	2	PAWL, STARTER			
16		A051-000841	1	STARTER, RECOIL			
17	+	177236-61830	1	SCREW			
18	+	P022-010250	1	WASHER, THRUST			
19	+	P022-010220	1	PLATE, FRICTION			
20	+	P022-010231	1	SPRING, FRICTION			
21	+	P022-010240	1	WASHER			
22	+	P022-010280	1	DRUM, STARTER			
23	+	P022-004680	1	SPRING, SPIRAL			
24	+	P022-010270	1	ROPE			
25	+	177227-42030	1	GUIDE, ROPE			

3. Starter, Magneto, Muffler(Sr/Nr 36001100 and before)



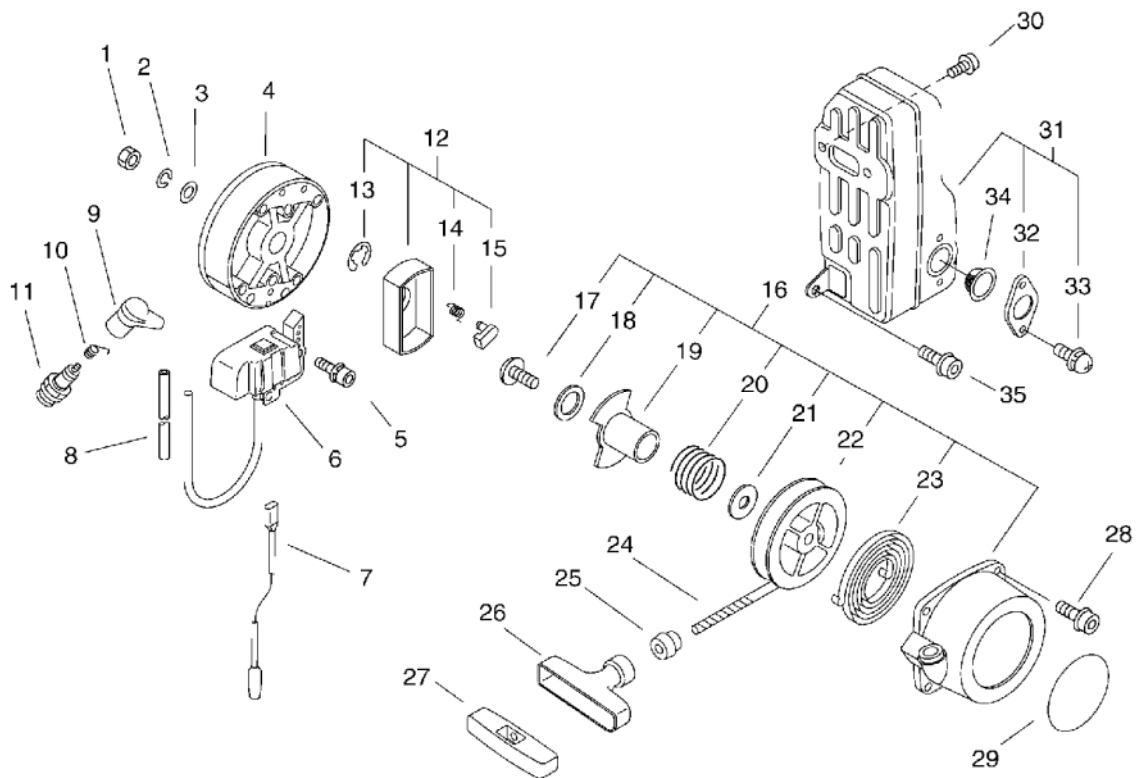
KEY	LV	PART NUMBER	Q'TY	DESCRIPTION	REMARKS	NOTE1	NOTE2
26	+	177228-11620	1	GRIP, STARTER			
27	+	P022-010260	1	CAP, GRIP			
28		900106-05014	4	BOLT, H.S. 5*14	5*14		
29		890118-17930	1	LABEL, ECHO		Sus. by X502-000460	
30		91107-06020	2	BOLT HSH FLANGE	M6*20		
31		P021-008210	1	MUFFLER ASY			
32	+	A313-000310	1	GUIDE, EXH			
33	+	91367-04010	2	SCREW	4*10/SW(SUS)		
34		A310-000000	1	SCREEN, ARRESTOR			
35		900106-05014	1	BOLT, H.S. 5*14	5*14	Sus. by V253-000170	

4. Starter, Magneto, Muffler(Sr/Nr 36001101 to 36001180)



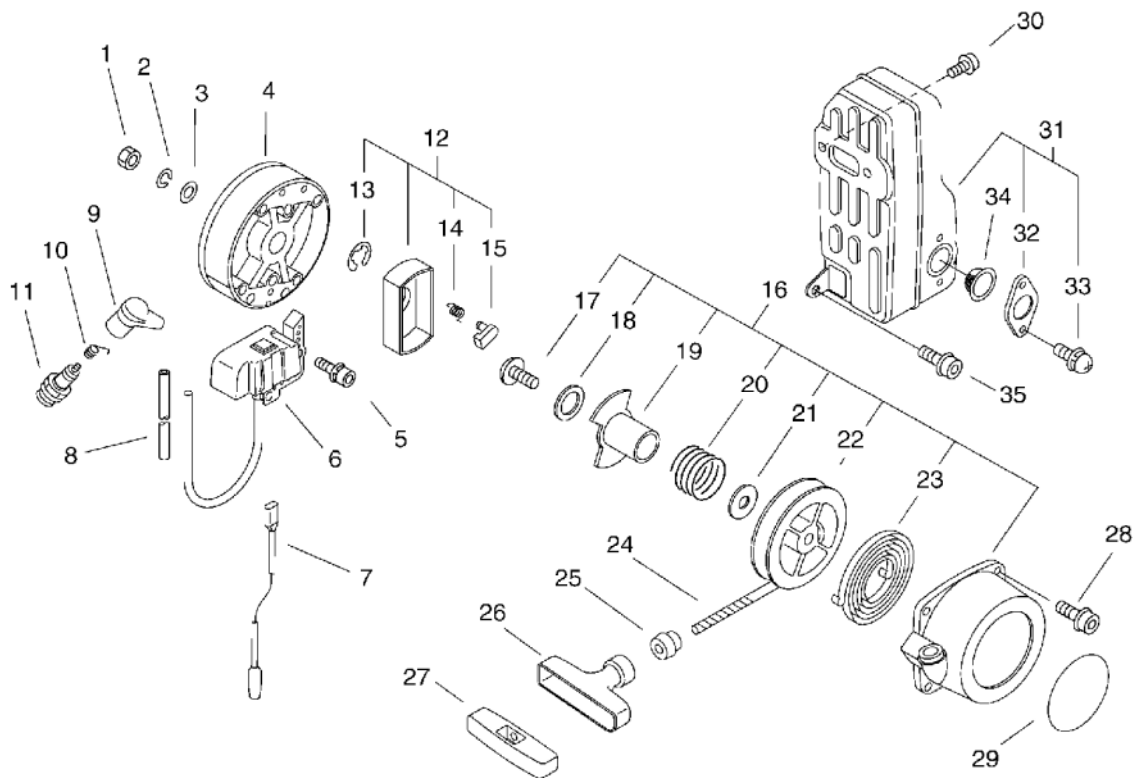
KEY	LV	PART NUMBER	Q'TY	DESCRIPTION	REMARKS	NOTE1	NOTE2
1		900501-00010	1	NUT 10*1.25	10*P1.25		
2		900605-00010	1	WASHER, SPRING 10	10		
3		900602-00010	1	WASHER 10(10.5*21*2)	10.5*21*2		
4		A409-000250	1	ROTOR, MAGNETO	VAMAG ID C9014		
5		900162-05022	2	BOLT, H.S. 5*22	5*22 W,SW		
6		A415-000000	1	MODULE, CDI			
7		V485-000190	1	LEAD			
8		156111-06160	1	TUBE 6.3*8*380	6.3*8*380		
9		159012-03433	1	CAP, SPARK PLUG			
10		159011-03432	1	COIL, SPARK PLUG			
11		A425-000000	1	SPARKPLUG	BPMR8Y		
12		A052-000042	1	PULLEY, ASM STARTER			
13	+	P022-002100	2	E-RING	4		
14	+	P022-003130	2	SPRING, RETURN			
15	+	P022-003120	2	PAWL, STARTER			
16		A051-000841	1	STARTER, RECOIL			
17	+	177236-61830	1	SCREW			
18	+	P022-010250	1	WASHER, THRUST			
19	+	P022-010220	1	PLATE, FRICTION			
20	+	P022-010231	1	SPRING, FRICTION			
21	+	P022-010240	1	WASHER			
22	+	P022-010280	1	DRUM, STARTER			
23	+	P022-004680	1	SPRING, SPIRAL			
24	+	P022-010270	1	ROPE			
25	+	177227-42030	1	GUIDE, ROPE			

4. Starter, Magneto, Muffler(Sr/Nr 36001101 to 36001180)



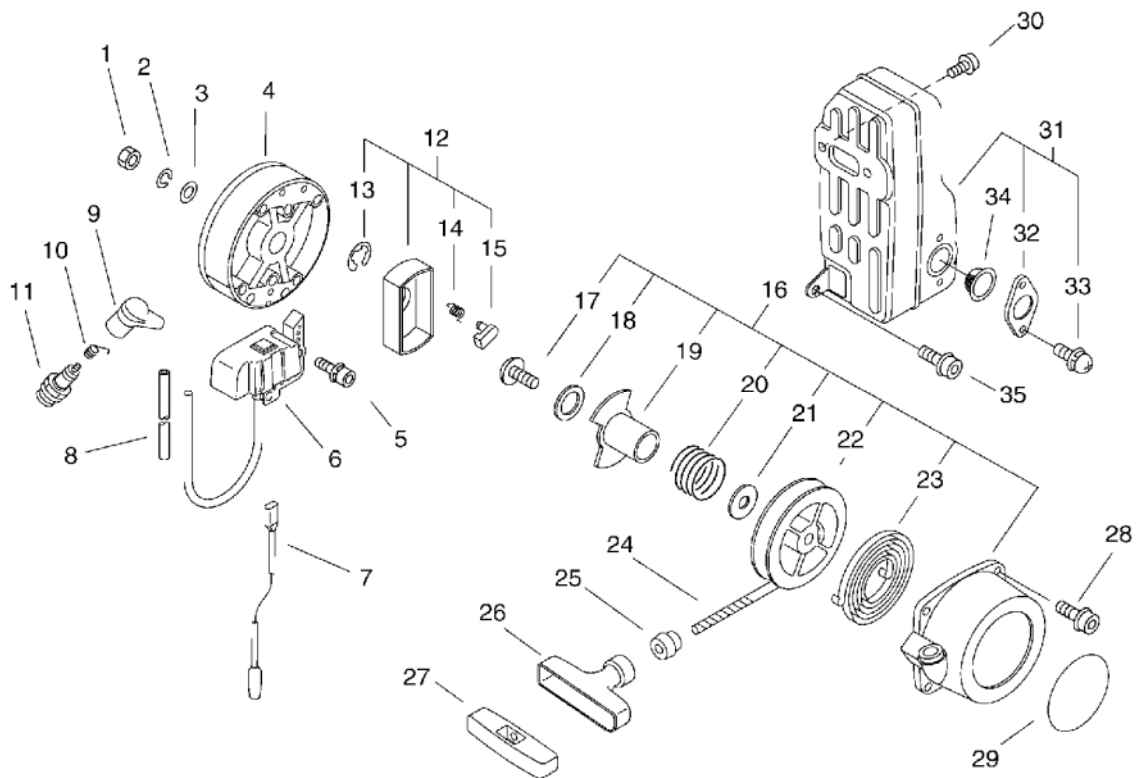
KEY	LV	PART NUMBER	Q'TY	DESCRIPTION	REMARKS	NOTE1	NOTE2
26	+	177228-11620	1	GRIP, STARTER			
27	+	P022-010260	1	CAP, GRIP			
28		900106-05014	4	BOLT, H.S. 5*14	5*14	Sus. by V253-000170	
28		V253-000170	4	SCREW,5		Sus. by 900106-05014	
29		890118-17930	1	LABEL, ECHO		Sus. by X502-000460	
30		91107-06020	2	BOLT HSH FLANGE	M6*20		
31		P021-008210	1	MUFFLER ASY			
32	+	A313-000310	1	GUIDE,EXH			
33	+	91367-04010	2	SCREW	4*10/SW(SUS)		
34		A310-000000	1	SCREEN,ARRESTOR			
35		900106-05014	1	BOLT, H.S. 5*14	5*14	Sus. by V253-000170	
35		V253-000170	1	SCREW,5		Sus. by 900106-05014	

5. Starter, Magneto, Muffler(Sr/Nr 36001181 and after)



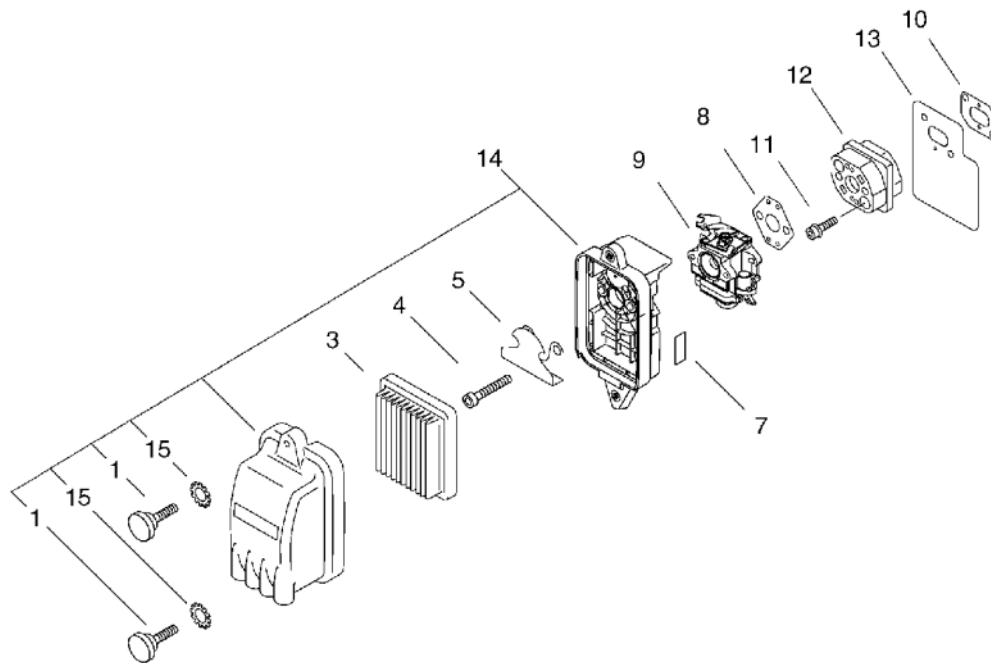
KEY	LV	PART NUMBER	Q'TY	DESCRIPTION	REMARKS	NOTE1	NOTE2
1		900501-00010	1	NUT 10*1.25	10*P1.25		
2		900605-00010	1	WASHER, SPRING 10	10		
3		900602-00010	1	WASHER 10(10.5*21*2)	10.5*21*2		
4		A409-000250	1	ROTOR, MAGNETO	VAMAG ID C9014		
5		900162-05022	2	BOLT, H.S. 5*22	5*22 W,SW		
6		A415-000000	1	MODULE, CDI			
7		V485-000190	1	LEAD			
8		156111-06160	1	TUBE 6.3*8*380	6.3*8*380		
9		159012-03433	1	CAP, SPARK PLUG			
10		159011-03432	1	COIL, SPARK PLUG			
11		A425-000000	1	SPARKPLUG	BPMR8Y		
12		A052-000042	1	PULLEY, ASM STARTER			
13	+	P022-002100	2	E-RING	4		
14	+	P022-003130	2	SPRING, RETURN			
15	+	P022-003120	2	PAWL, STARTER			
16		A051-000841	1	STARTER, RECOIL			
17	+	177236-61830	1	SCREW			
18	+	P022-010250	1	WASHER, THRUST			
19	+	P022-010220	1	PLATE, FRICTION			
20	+	P022-010231	1	SPRING, FRICTION			
21	+	P022-010240	1	WASHER			
22	+	P022-010280	1	DRUM, STARTER			
23	+	P022-004680	1	SPRING, SPIRAL			
24	+	P022-010270	1	ROPE			
25	+	177227-42030	1	GUIDE, ROPE			

5. Starter, Magneto, Muffler(Sr/Nr 36001181 and after)



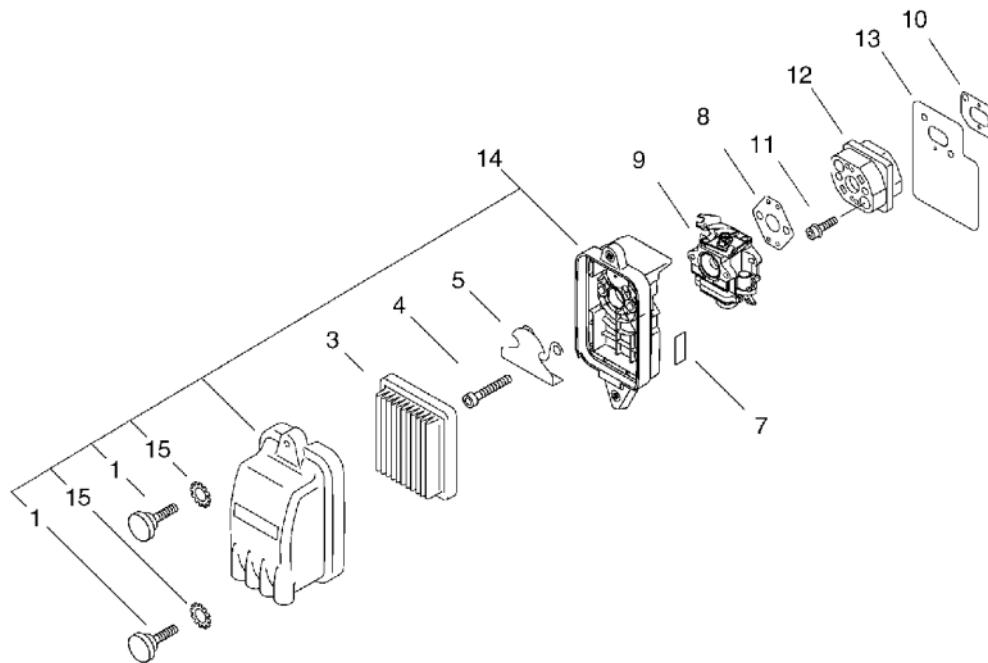
KEY	LV	PART NUMBER	Q'TY	DESCRIPTION	REMARKS	NOTE1	NOTE2
26	+	177228-11620	1	GRIP, STARTER			
27	+	P022-010260	1	CAP, GRIP			
28		V253-000170	4	SCREW,5		Sus. by 900106-05014	
28		900106-05014	4	BOLT, H.S. 5*14	5*14		
29		890118-17930	1	LABEL, ECHO		Sus. by X502-000460	
29		X502-000460	1	LABEL,ECHO			
30		91107-06020	2	BOLT HSH FLANGE	M6*20		
31		P021-008210	1	MUFFLER ASY			
32	+	A313-000310	1	GUIDE,EXH			
33	+	91367-04010	2	SCREW	4*10/SW(SUS)		
34		A310-000000	1	SCREEN,ARRESTOR			
35		V253-000170	1	SCREW,5		Sus. by 900106-05014	
35		900106-05014	1	BOLT, H.S. 5*14	5*14		

6. Air Cleaner(Sr/Nr 36003600 and befor)



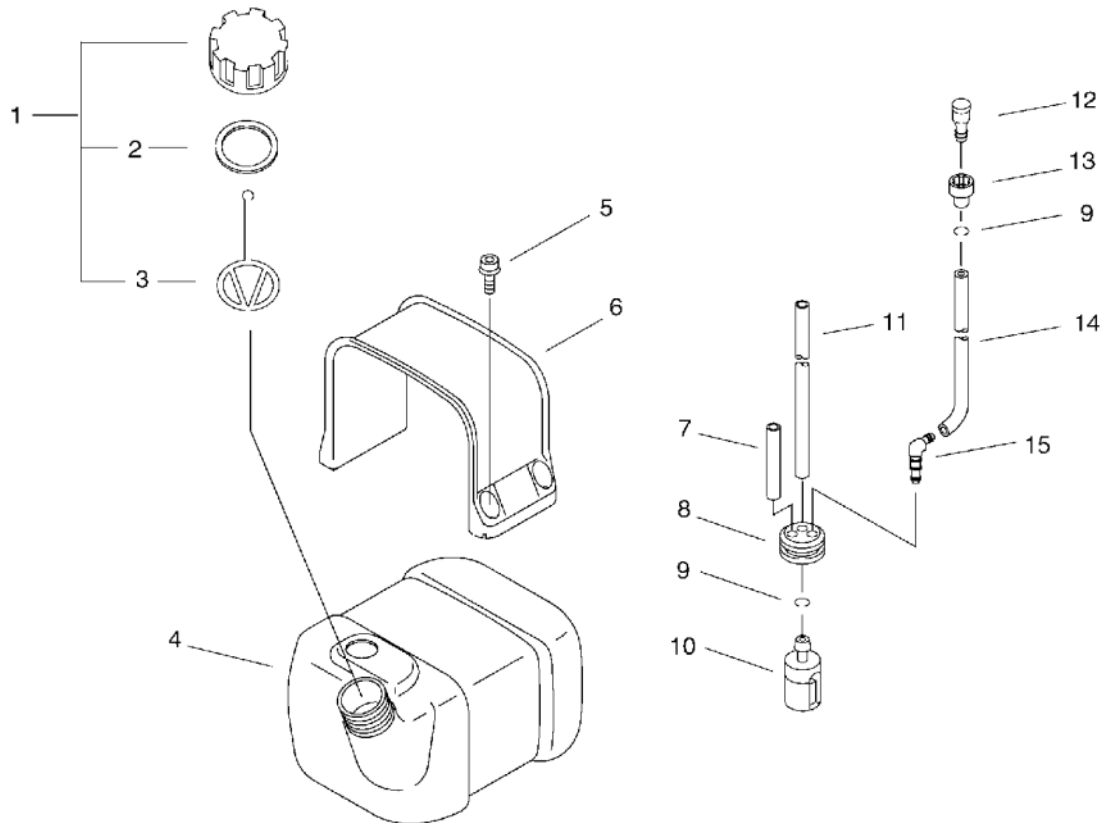
KEY	LV	PART NUMBER	Q'TY	DESCRIPTION	REMARKS	NOTE1	NOTE2
1		V299-000290	1	KNOB,FASTENER	1 KNOB M5X0.8	Qty 1->2	
2		A232-000080	1	LID,CLEANER			
3		A226-000032	1	ELEMENT,AIR FILTER			
4		900105-05060	2	BOLT, H.S. 5*60	5*60		
5		A244-000040	1	PLATE,PREVENT			
6		P021-002521	1	CLEANER CASE ASY		Sr/Nr 36003600 and before	
7		890332-52730	1	LABEL, CHOKE			
8		V103-000080	1	GASKET,INTAKE			
9		A021-000810	1	CARBURETOR,DIAPHRAGM	WYK-192		
10		V103-000140	1	GASKET,INTAKE			
11		900106-05025	2	BOLT, H.S. 5*25	5*25		
12		A200-000070	1	INSULATOR,INTAKE			
13		V103-000130	1	GASKET,INTAKE			

7. Air Cleaner(Sr/Nr 36003601 and after)



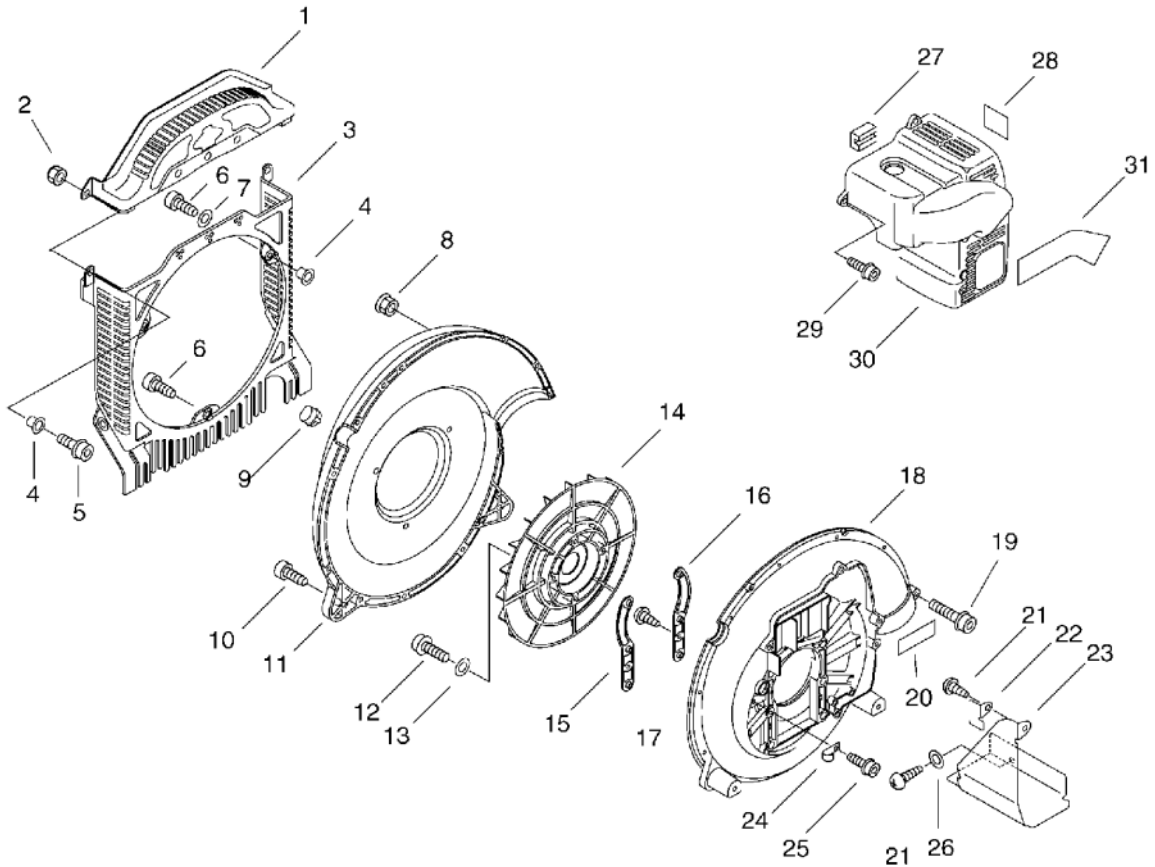
KEY	LV	PART NUMBER	Q'TY	DESCRIPTION	REMARKS	NOTE1	NOTE2
3		A226-000032	1	ELEMENT,AIR FILTER			
4		900105-05060	2	BOLT, H.S. 5*60	5*60		
5		A244-000040	1	PLATE,PREVENT			
7		890332-52730	1	LABEL, CHOKE			
8		V103-000080	1	GASKET,INTAKE			
9		A021-000810	1	CARBURETOR,DIAPHRAGM	WYK-192		
10		V103-000140	1	GASKET,INTAKE			
11		900106-05025	2	BOLT, H.S. 5*25	5*25		
12		A200-000070	1	INSULATOR,INTAKE			
13		V103-000130	1	GASKET,INTAKE			
14		P021-014431	1	CLEANER KIT, AIR		Sr/Nr 36003601 and after	
1	+	V299-000290	2	KNOB,FASTENER	1 KNOB M5X0.8	Sr/Nr 36003601 and after	
15	+	V340-000210	2	WASHER	5.6*11.3	Sr/Nr 36003601 and after	

8. Fuel Tank



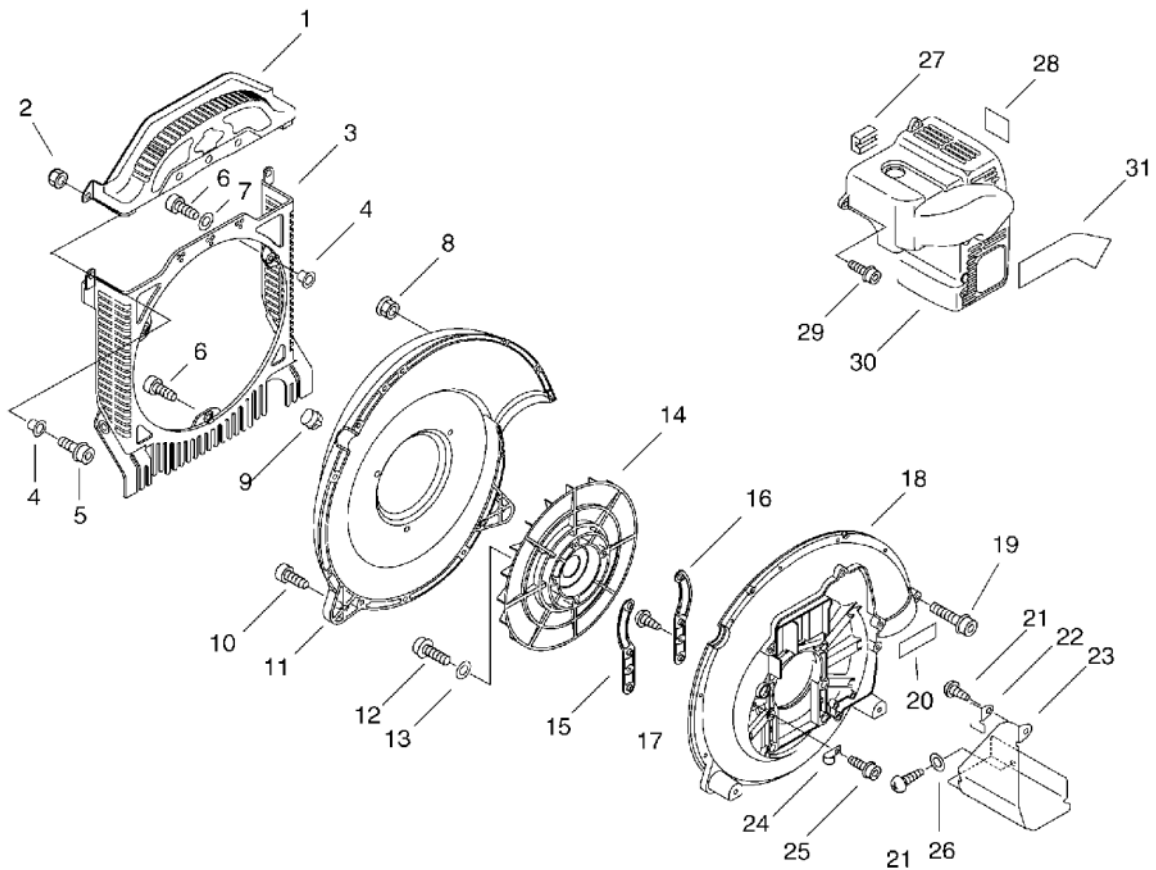
KEY	LV	PART NUMBER	Q'TY	DESCRIPTION	REMARKS	NOTE1	NOTE2
1		131004-55530	1	CAP ASSY, FUEL TANK			
2	+	131016-55830	1	GASKET, FUEL CAP			
3	+	131051-56030	1	CLIP, FUEL CAP	100L		
4		A350-000151	1	TANK, FUEL			
5		900106-05016	4	BOLT, H.S. 5*16	5*16		
6		A392-000000	1	BAND, FUEL TANK			
7		V471-000550	1	PIPE	3*6*145		
8		132115-55930	1	GROMMET, FUEL			
9		132013-26630	2	CLIP	6.5MM		
10		131205-19830	1	STRAINER, FUEL		Sus. by 131205-19831	
11		132010-35430	1	PIPE 3*6*230	3*6*230		
12		A356-000030	1	VALVE, CHECK			
13		131328-40630	1	COVER, VENT			
14		V471-000610	1	PIPE	3*6*145		
15		V186-000080	1	JOINT, PIPE			

9. Fan Case(Sr/Nr 36001100 and before)



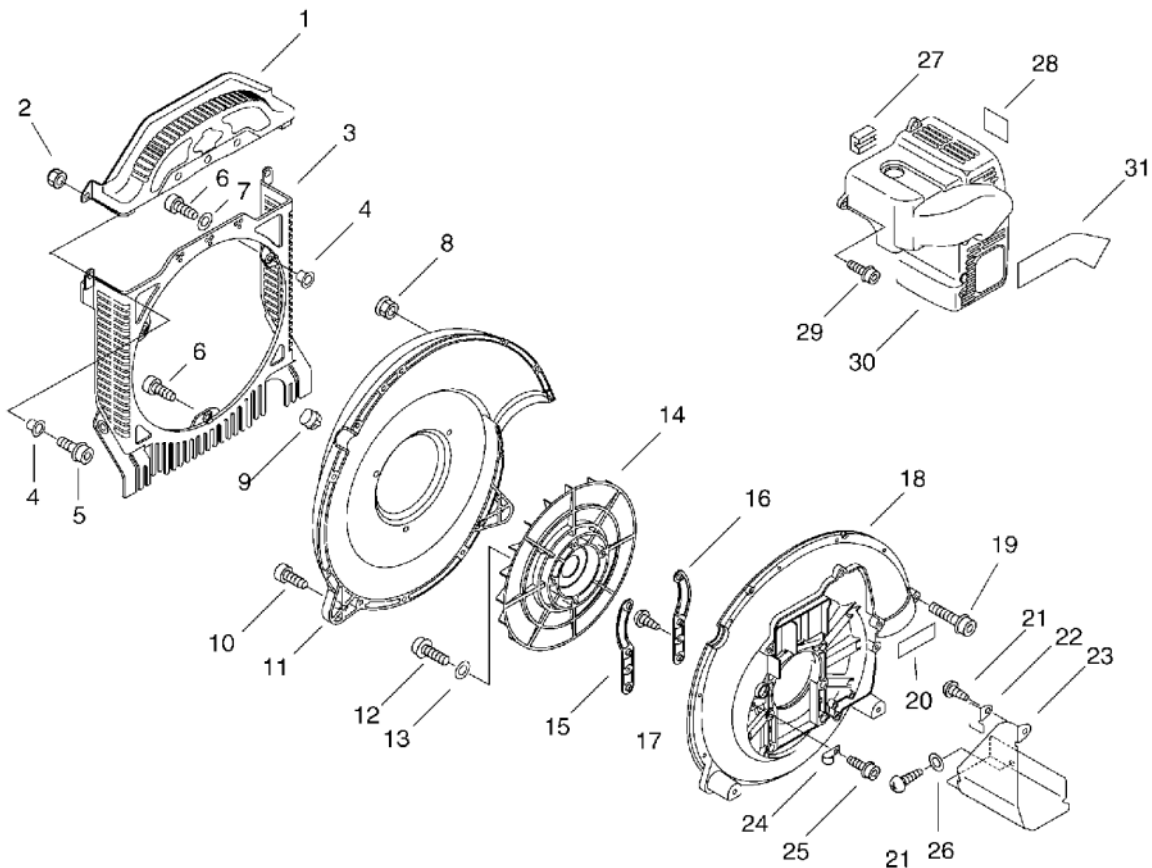
KEY	LV	PART NUMBER	Q'TY	DESCRIPTION	REMARKS	NOTE1	NOTE2
1		E104-000041	1	GRID,BLOWER			
2		900562-50005	4	LOCKNUT 5	5		
3		E104-000051	1	GRID,BLOWER			
4		104915-08260	6	SPACER			
5		900106-05020	4	BOLT, H.S. 5*20	5*20		
6		91145-05020	3	BOLT HS TAPPING	5*20		
7		613019-07350	2	WASHER 5.5*16*2T	5.5*16*2T		
8		900516-00005	2	NUT, FRANGE 5	5		
9		E109-000010	1	LID,FANCASE			
10		91145-05020	12	BOLT HS TAPPING	5*20		
11		E103-000350	1	CASE,FAN			
12		900105-06035	4	BOLT, H.S. 6*35	6*35		
13		145642-06230	4	WASHER			
14		E100-000041	1	FAN,BLOWER			
15		C632-000042	1	PLATE,ENG			
16		C632-000052	1	PLATE,ENG			
17		900246-05014	2	SCREW 5*14	5*14		
18		E103-000341	1	CASE,FAN			
19		900105-05060	2	BOLT, H.S. 5*60	5*60		
20		890160-09461	1	LABEL, CAUTION			
21		900253-05010	2	SCREW 5*10	5*10		
22		V152-000770	1	PLATE,ANGLE			
23		A322-000020	1	INSULATOR,MUFFLER			
24		178111-22330	1	CLIP			
25		91145-05016	1	BOLT HS TAPPING	5*16		
26		900603-00005	1	WASHER 5	5.5*12*0.8		

9. Fan Case(Sr/Nr 36001100 and before)



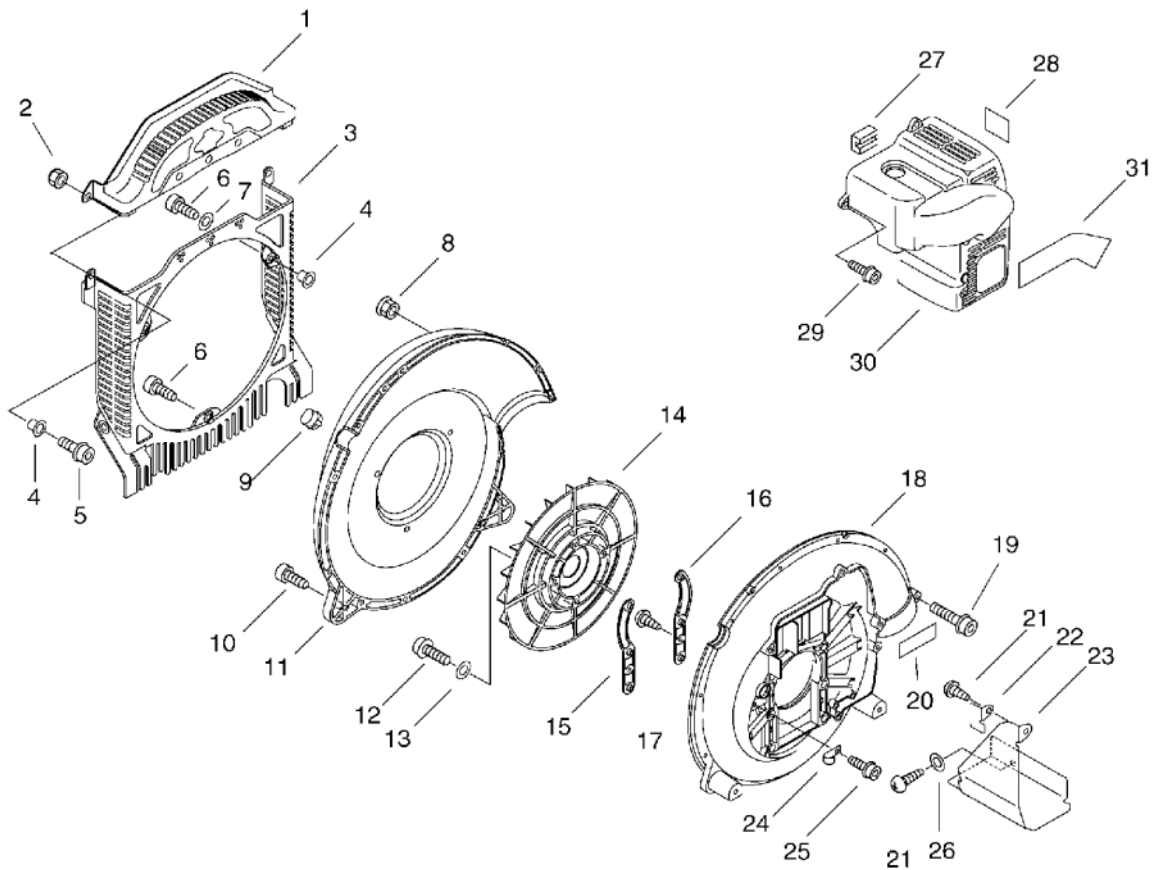
KEY	LV	PART NUMBER	Q'TY	DESCRIPTION	REMARKS	NOTE1	NOTE2
27		V420-000570	1	CUSHION			
28		890160-06361	1	LABEL, CAUTION		Sus. by X505-002310	
29		91145-05020	4	BOLT HS TAPPING	5*20		
30		A190-000111	1	COVER,ENGINE			
31		X503-007450	1	LABEL,MODEL	PB-655 EU	Sus. by X503-007451	

10. Fan Case(Sr/Nr 36001101 to 36001180)



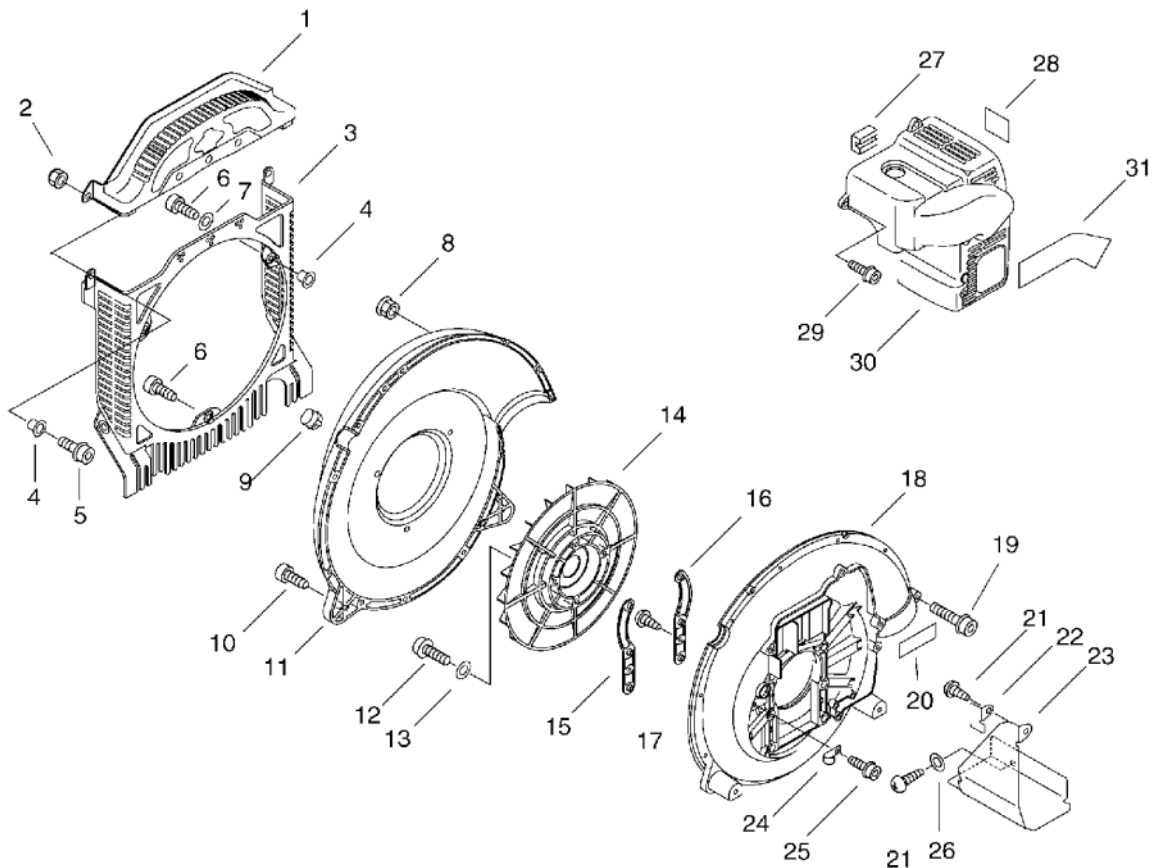
KEY	LV	PART NUMBER	Q'TY	DESCRIPTION	REMARKS	NOTE1	NOTE2
1		E104-000041	1	GRID,BLOWER			
2		900562-50005	4	LOCKNUT 5	5		
3		E104-000051	1	GRID,BLOWER			
4		104915-08260	6	SPACER			
5		900106-05020	4	BOLT, H.S. 5*20	5*20		
6		91145-05020	3	BOLT HS TAPPING	5*20		
7		613019-07350	2	WASHER 5.5*16*2T	5.5*16*2T		
8		900516-00005	2	NUT, FRANGE 5	5		
9		E109-000010	1	LID,FANCASE			
10		91145-05020	12	BOLT HS TAPPING	5*20		
11		E103-000350	1	CASE,FAN			
12		900105-06035	4	BOLT, H.S. 6*35	6*35		
13		145642-06230	4	WASHER			
14		E100-000041	1	FAN,BLOWER			
15		C632-000042	1	PLATE,ENG			
16		C632-000052	1	PLATE,ENG			
17		900246-05014	2	SCREW 5*14	5*14		
18		E103-000341	1	CASE,FAN			
19		900105-05060	2	BOLT, H.S. 5*60	5*60		
20		890160-09461	1	LABEL, CAUTION			
21		900253-05010	2	SCREW 5*10	5*10		
22		V152-000770	1	PLATE,ANGLE			
23		A322-000020	1	INSULATOR,MUFFLER			
24		178111-22330	1	CLIP			
25		91145-05016	1	BOLT HS TAPPING	5*16		
26		900603-00005	1	WASHER 5	5.5*12*0.8		

10. Fan Case(Sr/Nr 36001101 to 36001180)



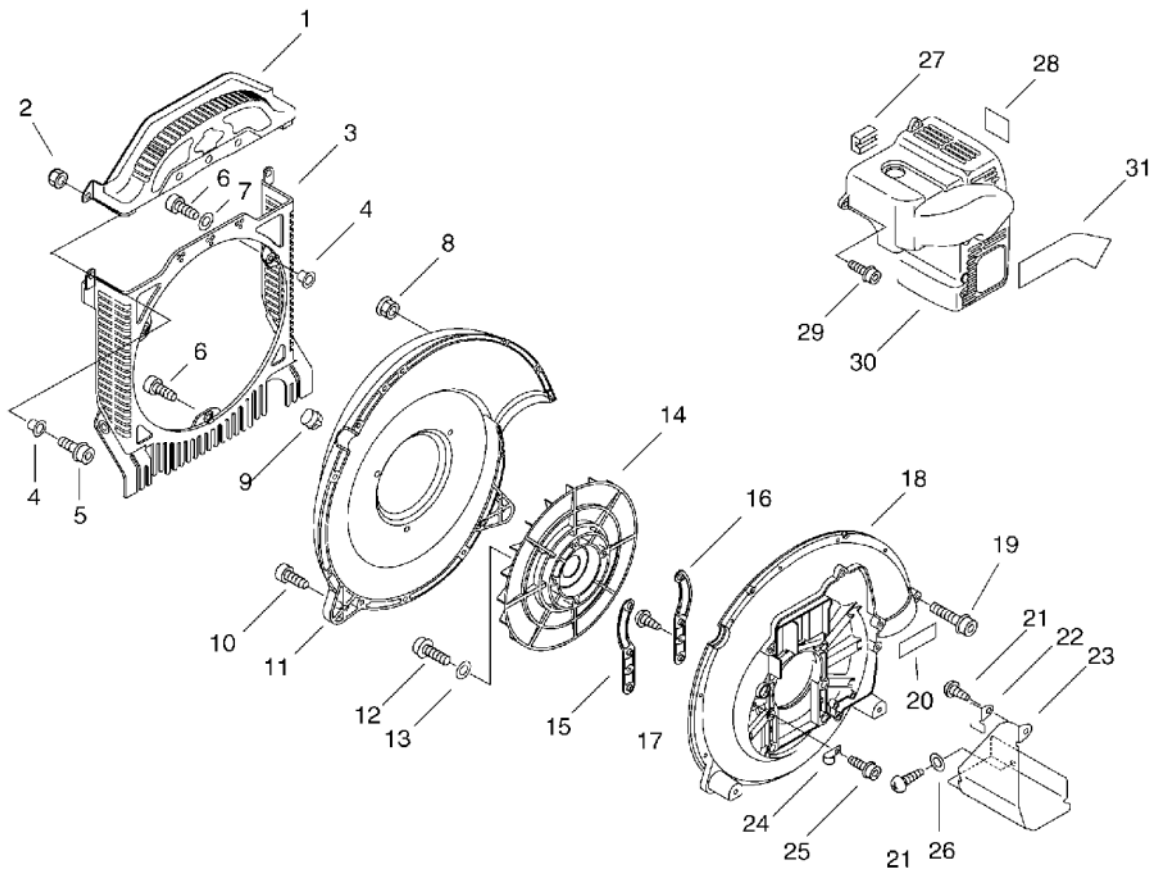
KEY	LV	PART NUMBER	Q'TY	DESCRIPTION	REMARKS	NOTE1	NOTE2
27		V420-000570	1	CUSHION			
28		890160-06361	1	LABEL, CAUTION		Sus. by X505-002310	
29		91145-05020	4	BOLT HS TAPPING	5*20		
30		A190-000111	1	COVER,ENGINE			
31		X503-007450	1	LABEL,MODEL	PB-655 EU	Sus. by X503-007451	

11. Fan Case(Sr/Nr 36001181 and after)



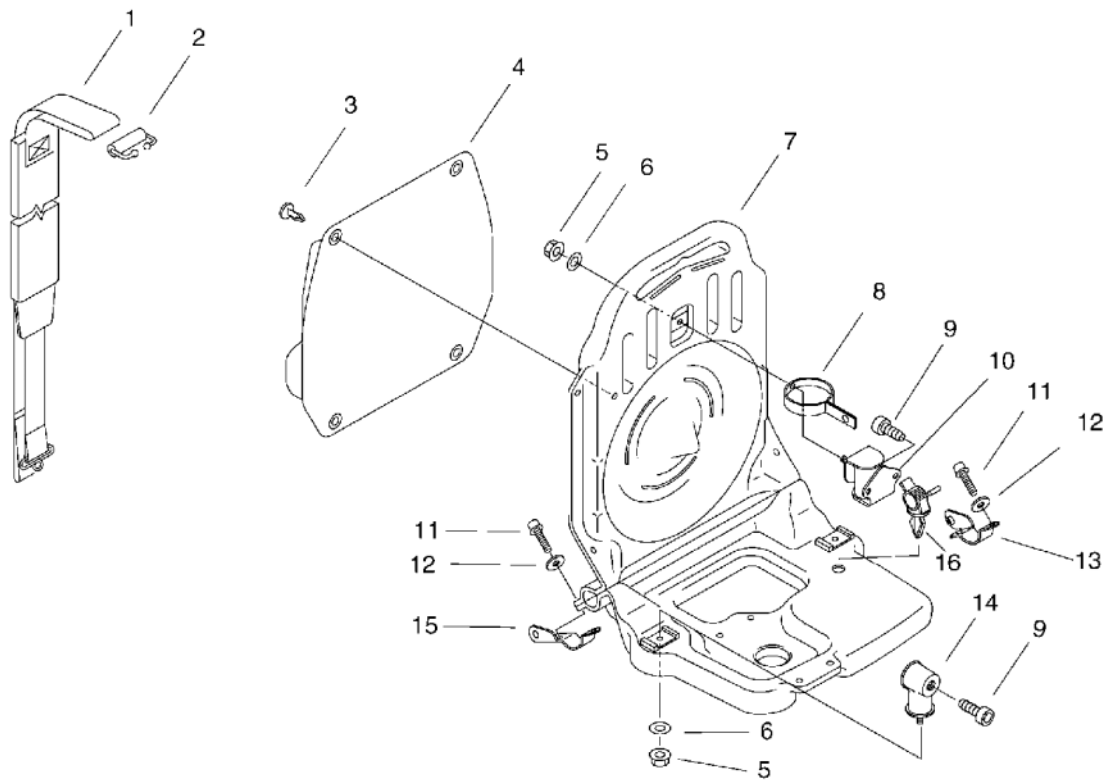
KEY	LV	PART NUMBER	Q'TY	DESCRIPTION	REMARKS	NOTE1	NOTE2
1		E104-000041	1	GRID,BLOWER			
2		900562-50005	4	LOCKNUT 5	5		
3		E104-000051	1	GRID,BLOWER			
4		104915-08260	6	SPACER			
5		900106-05020	4	BOLT, H.S. 5*20	5*20		
6		91145-05020	3	BOLT HS TAPPING	5*20		
7		613019-07350	2	WASHER 5.5*16*2T	5.5*16*2T		
8		900516-00005	2	NUT, FRANGE 5	5		
9		E109-000010	1	LID,FANCASE			
10		91145-05020	12	BOLT HS TAPPING	5*20		
11		E103-000350	1	CASE,FAN			
12		900105-06035	4	BOLT, H.S. 6*35	6*35		
13		145642-06230	4	WASHER			
14		E100-000041	1	FAN,BLOWER			
15		C632-000042	1	PLATE,ENG			
16		C632-000052	1	PLATE,ENG			
17		900246-05014	2	SCREW 5*14	5*14		
18		E103-000341	1	CASE,FAN			
19		900105-05060	2	BOLT, H.S. 5*60	5*60		
20		890160-09461	1	LABEL, CAUTION			
21		900253-05010	2	SCREW 5*10	5*10		
22		V152-000770	1	PLATE,ANGLE			
23		A322-000020	1	INSULATOR,MUFFLER			
24		178111-22330	1	CLIP			
25		91145-05016	1	BOLT HS TAPPING	5*16		
26		900603-00005	1	WASHER 5	5.5*12*0.8		

11. Fan Case(Sr/Nr 36001181 and after)



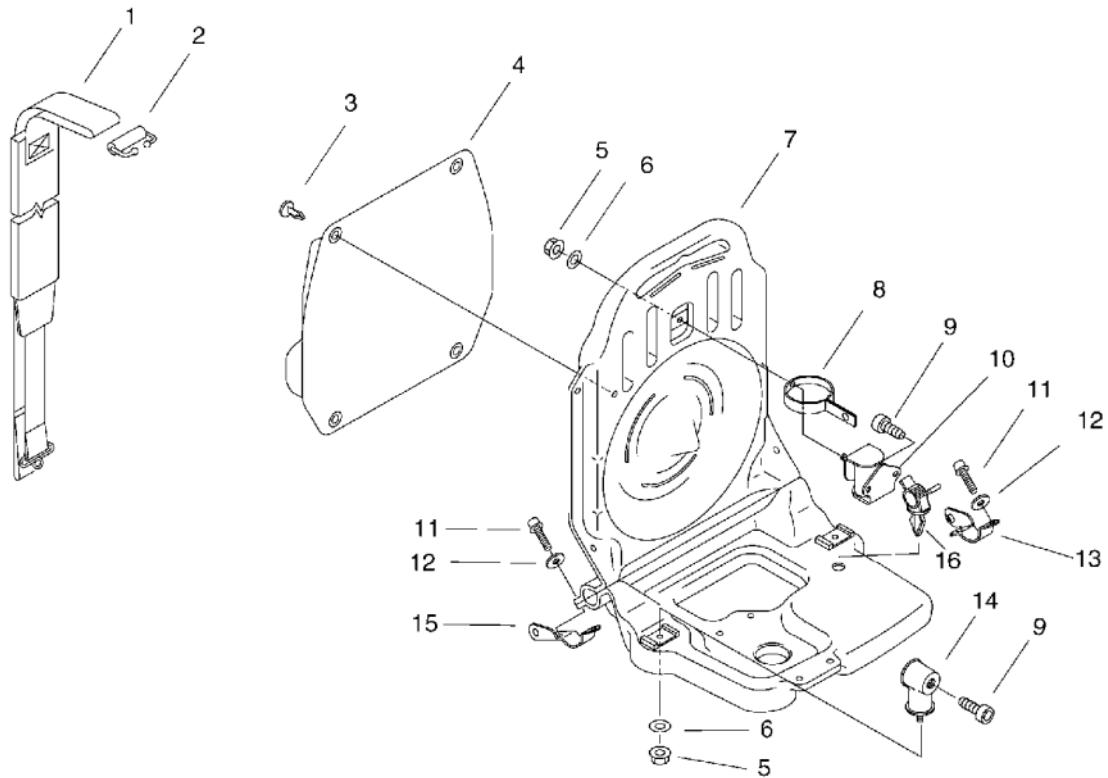
KEY	LV	PART NUMBER	Q'TY	DESCRIPTION	REMARKS	NOTE1	NOTE2
27		V420-000570	1	CUSHION			
28		890160-06361	1	LABEL, CAUTION		Sus. by X505-002310	
28		X505-002310	1	LABEL, CAUTION	HOT CAUTION		
29		91145-05020	4	BOLT HS TAPPING	5*20		
30		A190-000111	1	COVER,ENGINE			
31		X503-007450	1	LABEL,MODEL	PB-655 EU	Sus. by X503-007451	
31		X503-007451	1	LABEL,MODEL	PB-655 EU		

12. Harness(Sr/Nr 36001100 and before)



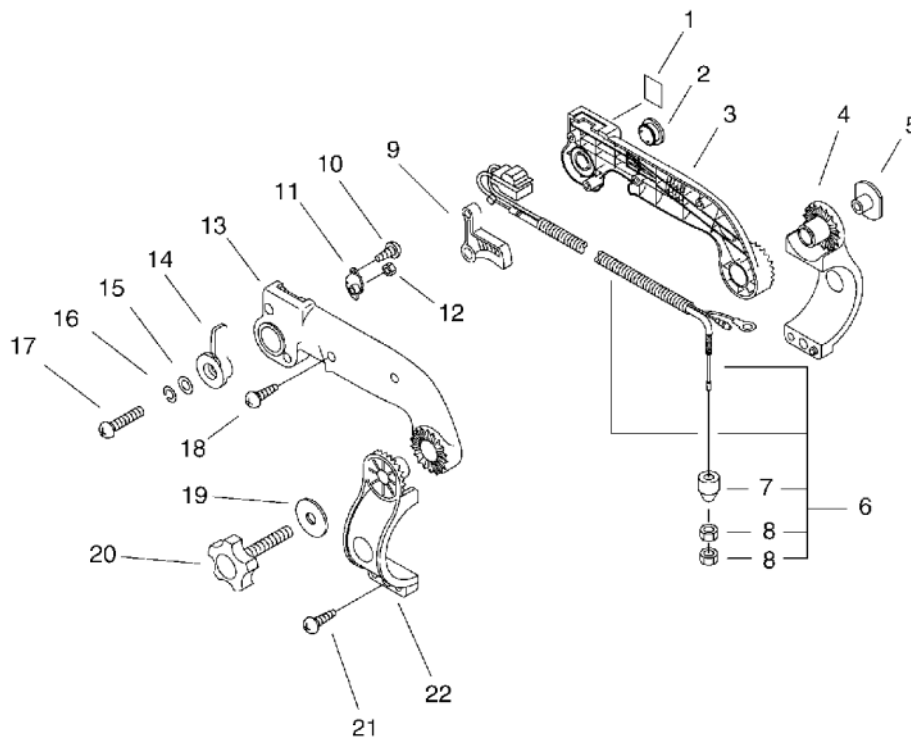
KEY	LV	PART NUMBER	Q'TY	DESCRIPTION	REMARKS	NOTE1	NOTE2
1		C061-000110	2	HARNESS,ASM BACKPACK		Sus. by C061-000111	
2		V491-000040	2	CLIP			
3		V491-000120	4	CLIP			
4		300105-08261	1	CUSHION, KNAPSACK			
5		900516-00005	3	NUT, FRANGE 5	5		
6		613019-07350	3	WASHER 5.5*16*2T	5.5*16*2T		
7		C066-000003	1	FRAME,ASM BACKPACK		Sus. by C066-000004	
7		C066-000004	1	FRAME,ASM BACKPACK			
8		C617-000150	1	STOPPER			
9		91145-05016	4	BOLT HS TAPPING	5*16		
10		100905-08261	1	CUSHION			
11		900105-05020	4	BOLT, H.S. 5*20	5*20		
12		613019-07350	4	WASHER 5.5*16*2T	5.5*16*2T		
13		C626-000010	1	FIXTURE,HARNESS			
14		V401-000070	2	CUSHION,5			
15		C626-000030	1	FIXTURE,HARNESS			

13. Harness(Sr/Nr 36001101 and after)



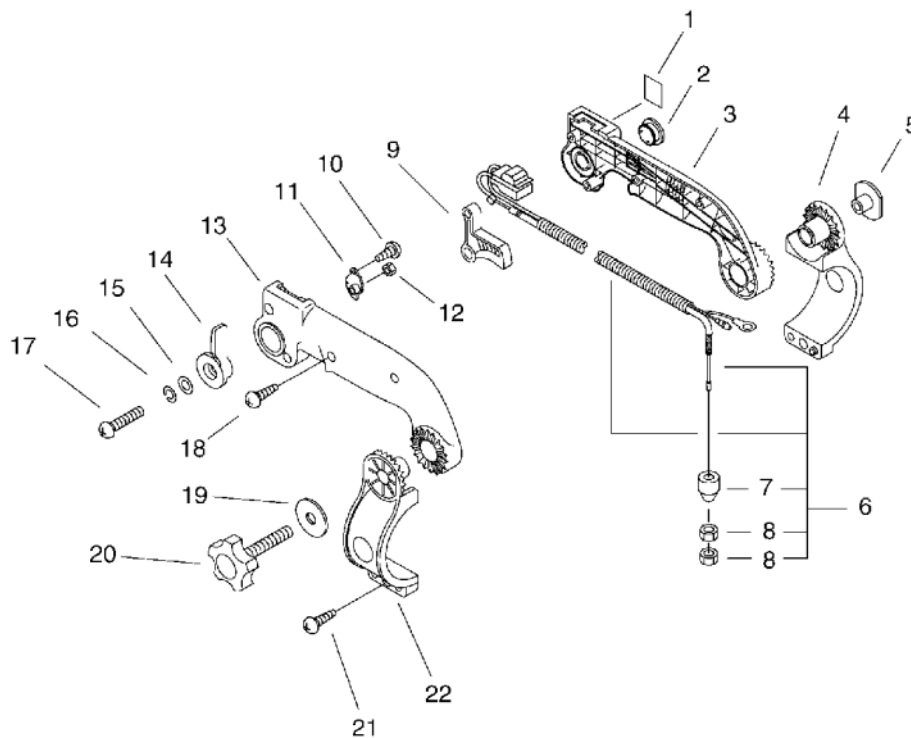
KEY	LV	PART NUMBER	Q'TY	DESCRIPTION	REMARKS	NOTE1	NOTE2
1		C061-000110	2	HARNESS,ASM BACKPACK			
2		V491-000040	2	CLIP			
3		V491-000120	4	CLIP			
4		300105-08261	1	CUSHION, KNAPSACK			
5		900516-00005	3	NUT, FRANGE 5	5		
6		613019-07350	3	WASHER 5.5*16*2T	5.5*16*2T		
7		C066-000004	1	FRAME,ASM BACKPACK			
8		C617-000150	1	STOPPER			
9		91145-05016	4	BOLT HS TAPPING	5*16		
10		100905-08261	1	CUSHION			
11		900105-05020	4	BOLT, H.S. 5*20	5*20		
12		613019-07350	4	WASHER 5.5*16*2T	5.5*16*2T		
13		C626-000010	1	FIXTURE,HARNESS			
14		V401-000070	2	CUSHION,5			
15		C626-000030	1	FIXTURE,HARNESS			
16		V491-000110	1	CLIP	.308/.433 CABLE		

14. Throttle(Sr/Nr 36001100 and before)



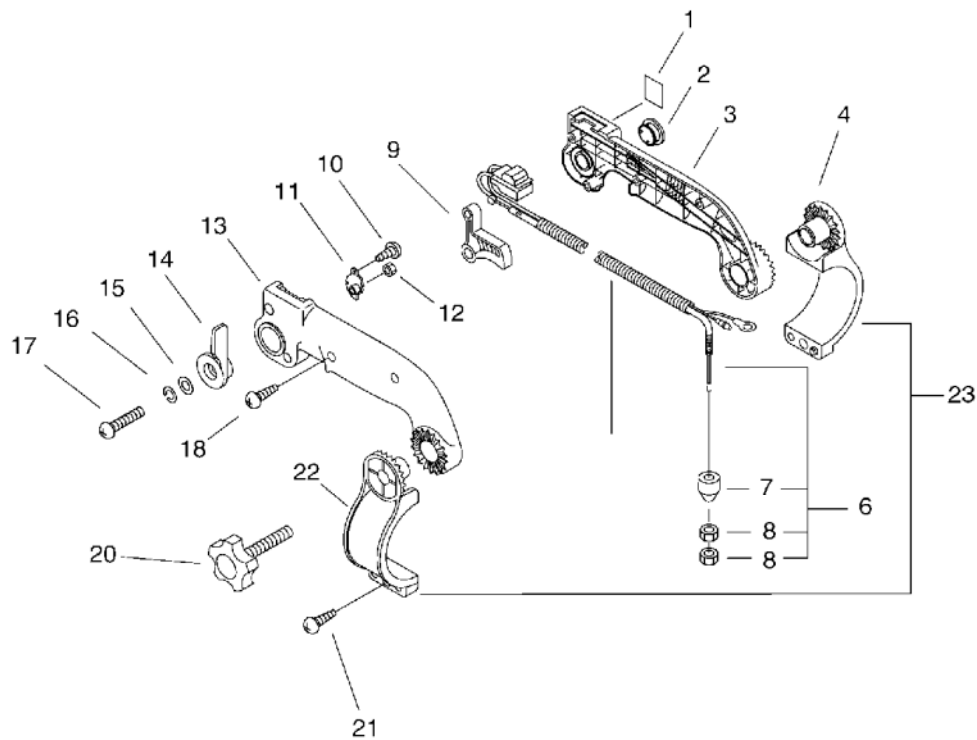
KEY	LV	PART NUMBER	Q'TY	DESCRIPTION	REMARKS	NOTE1	NOTE2
1		890157-06560	1	LABEL, SWITCH			
2		351146-07560	1	PLUG			
3		351311-07560	1	HANDLE, FRONT			
4		C405-000030	1	BRACKET,HANDLE			
5		178021-08260	1	NUT, THROTTLE ROD			
6		V043-000080	1	CABLE ASY, CONTROL			
7	+	V494-000080	1	CAP			
8	+	900503-00006	2	NUT (3N 6*0.75)	3N 6*0.75		
9		178010-07561	1	CONTROL, THROTTLE			
10		900245-04010	1	SCREW 4*10	4*10		
11		178123-07561	1	BRACKET, THROTTLE			
12		900500-00006	1	NUT 6	6		
13		351315-07560	1	HANDLE, FRONT			
14		178054-07560	1	CONTRTOL, THROTTLE			
15		900603-00006	1	WASHER 6	6.5*13*1		
16		900605-00006	1	WASHER, SPRING 6	6		
17		900235-06020	1	SCREW 6*20	6*20		
18		900256-04022	4	SCREW 4*22	4*22		
19		178516-07560	1	WASHER 6			
20		305812-08260	1	KNOB, FASTENER			
21		900253-05020	1	SCREW 5*20	5*20		
22		C405-000020	1	BRACKET,HANDLE			

15. Throttle(Sr/Nr 36001101 to 36001180)



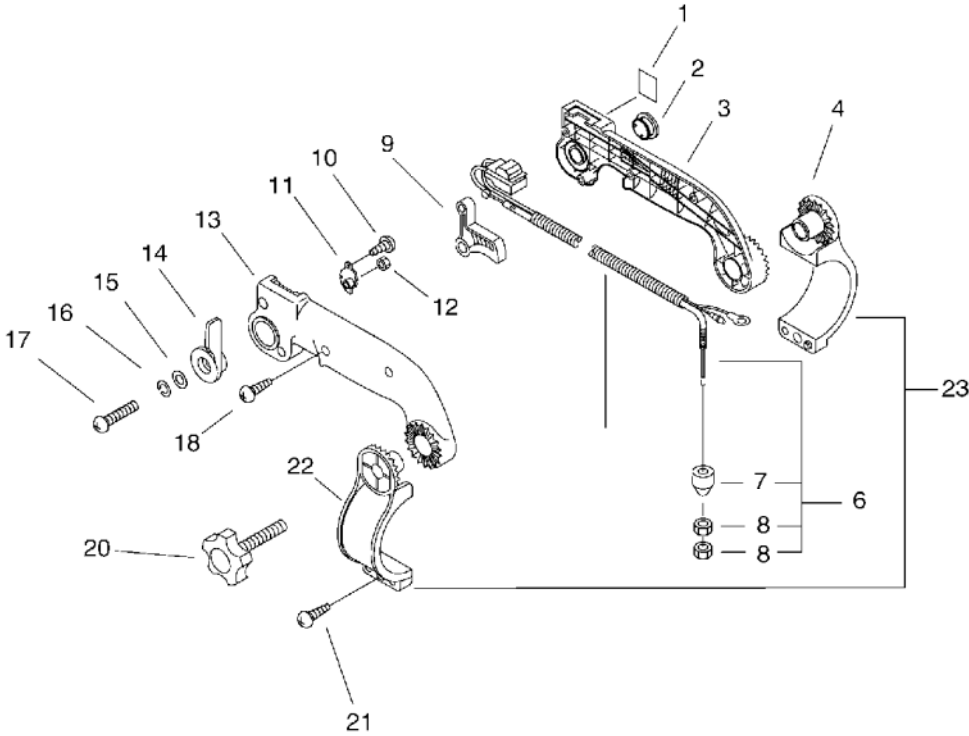
KEY	LV	PART NUMBER	Q'TY	DESCRIPTION	REMARKS	NOTE1	NOTE2
1		890157-06560	1	LABEL, SWITCH			
2		351146-07560	1	PLUG			
3		351311-07560	1	HANDLE, FRONT			
4		C405-000030	1	BRACKET,HANDLE			Sr/Nr 36001180 and before
5		178021-08260	1	NUT, THROTTLE ROD			Sr/Nr 36001180 and before
6		V043-000080	1	CABLE ASY, CONTROL			
7	+	V494-000080	1	CAP			
8	+	900503-00006	2	NUT (3N 6*0.75)	3N 6*0.75		
9		178010-07561	1	CONTROL, THROTTLE			
10		900245-04010	1	SCREW 4*10	4*10		
11		178123-07561	1	BRACKET, THROTTLE			
12		900500-00006	1	NUT 6	6		
13		351315-07560	1	HANDLE, FRONT			
14		178054-07560	1	CONTRTOL, THROTTLE			
15		900603-00006	1	WASHER 6	6.5*13*1		
16		900605-00006	1	WASHER, SPRING 6	6		
17		900235-06020	1	SCREW 6*20	6*20		
18		900256-04022	4	SCREW 4*22	4*22		
19		178516-07560	1	WASHER 6			Sr/Nr 36001180 and before
20		305812-08260	1	KNOB, FASTENER			
21		900253-05020	1	SCREW 5*20	5*20		
22		C405-000020	1	BRACKET,HANDLE			Sr/Nr 36001180 and before

16. Throttle(Sr/Nr 36001181 and after)



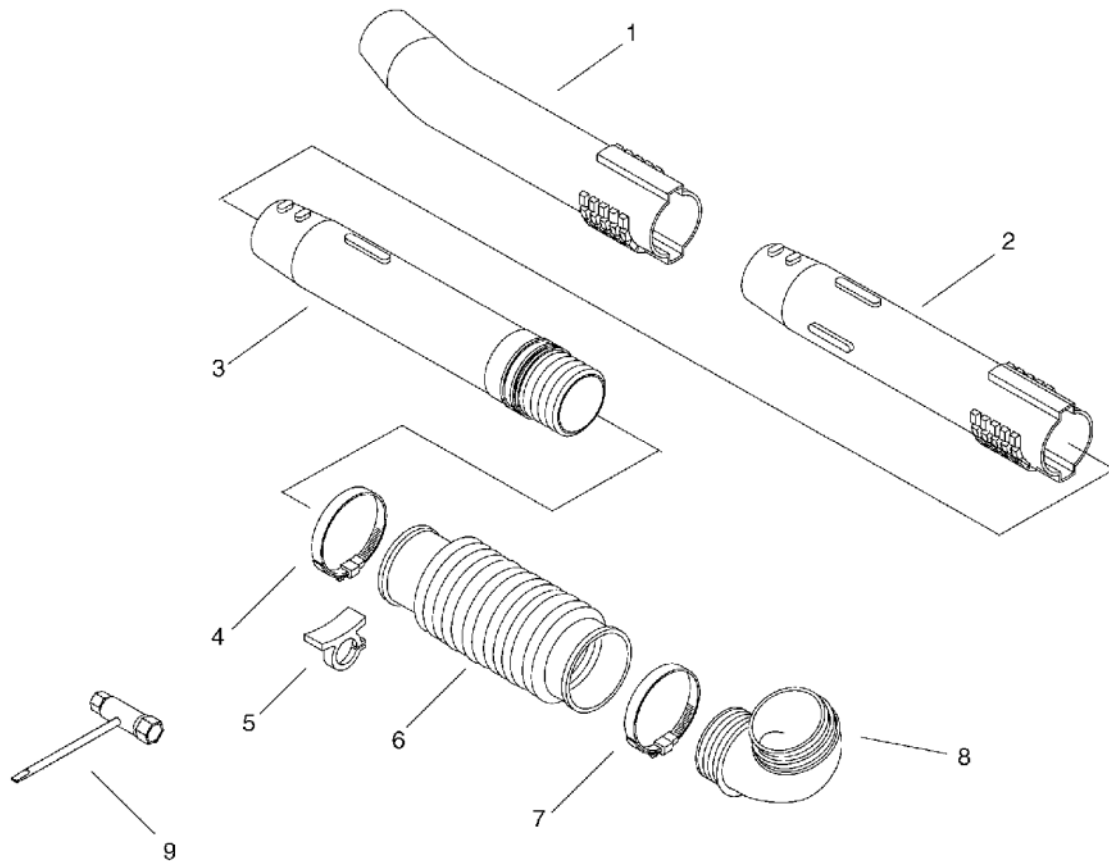
KEY	LV	PART NUMBER	Q'TY	DESCRIPTION	REMARKS	NOTE1	NOTE2
1		890157-06560	1	LABEL, SWITCH			
2		351146-07560	1	PLUG			
3		351311-07560	1	HANDLE, FRONT			
5		900500-00006	1	NUT 6	6		
6		V043-000080	1	CABLE ASY, CONTROL			Sr/Nr 36001181 to 36003900, Sus. by V043-000081
7	+	V494-000080	1	CAP			
8	+	900503-00006	2	NUT (3N 6*0.75)	3N 6*0.75		
9		178010-07561	1	CONTROL, THROTTLE			
10		900245-04010	1	SCREW 4*10	4*10		
11		178123-07561	1	BRACKET, THROTTLE			
12		900500-00006	1	NUT 6	6		Sr/Nr 36001181 and after
13		351315-07560	1	HANDLE, FRONT			
14		178054-07560	1	CONTRTOL, THROTTLE			
15		900603-00006	1	WASHER 6	6.5*13*1		
16		900605-00006	1	WASHER, SPRING 6	6		
17		900235-06020	1	SCREW 6*20	6*20		
18		900256-04022	4	SCREW 4*22	4*22		
20		305812-08260	1	KNOB, FASTENER			
21		900253-05020	1	SCREW 5*20	5*20		
23		P021-013320	1	BRACKET KIT,HANDLE			
4	+	C405-000240	1	BRACKET,HANDLE	RIGHT SIDE		Sr/Nr 36001181 and after

16. Throttle(Sr/Nr 36001181 and after)



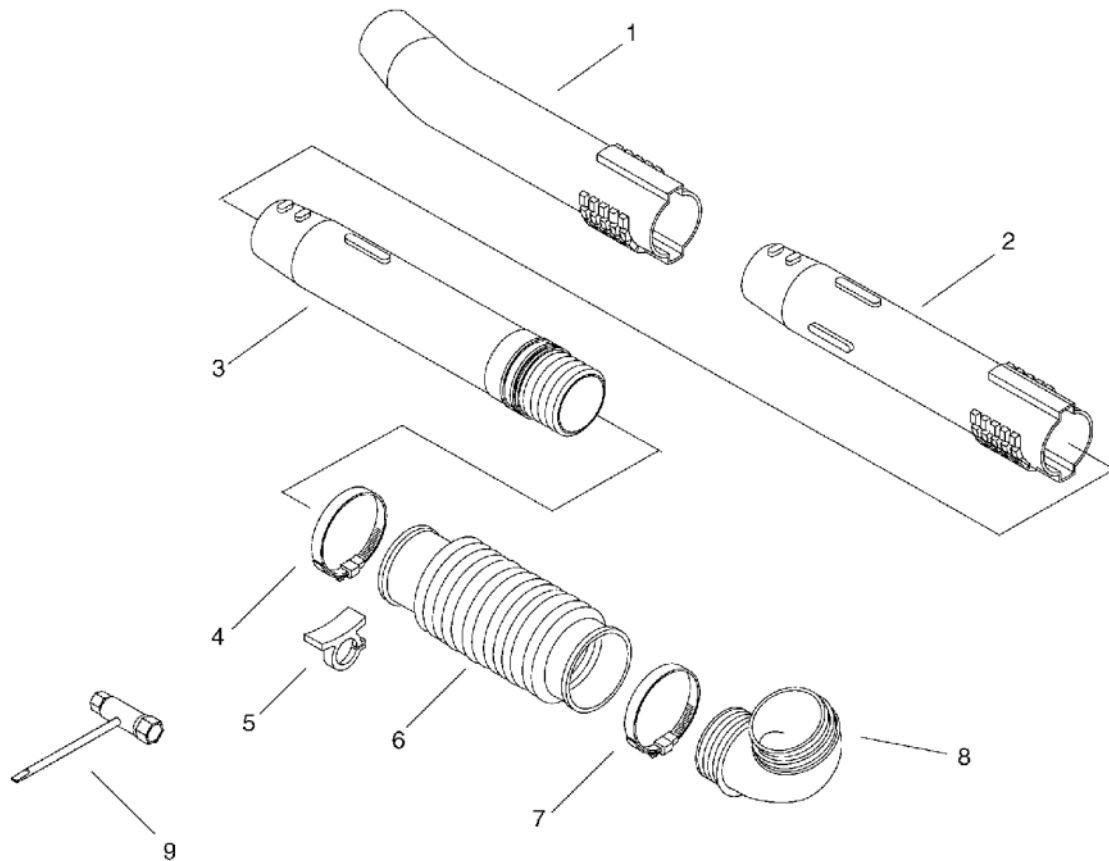
KEY	LV	PART NUMBER	Q'TY	DESCRIPTION	REMARKS	NOTE1	NOTE2
22	+	C405-000230	1	BRACKET,HANDLE	LEFT SIDE	Sr/Nr 36001181 and after	

17. Pipe, Tool(Sr/Nr 36001100 and before)



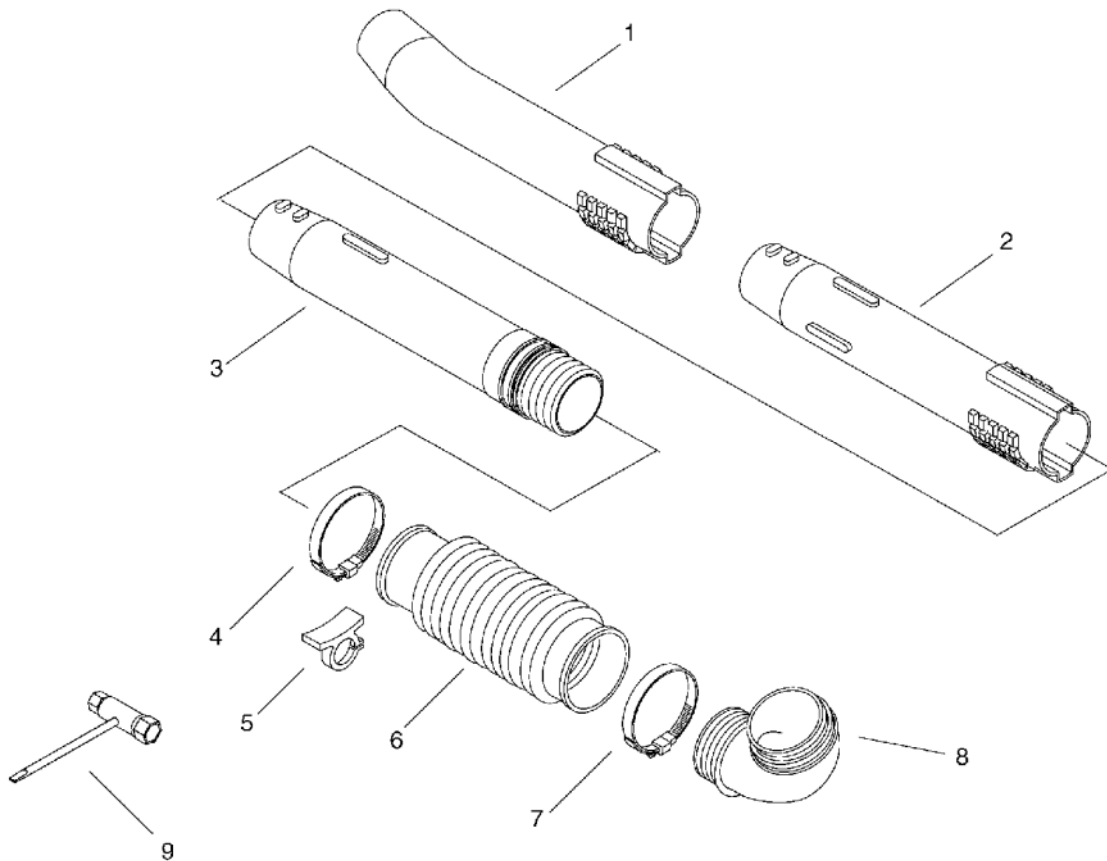
KEY	LV	PART NUMBER	Q'TY	DESCRIPTION	REMARKS	NOTE1	NOTE2
1		E165-000160	1	PIPE,BLOWER	418MM*65/79MM		
2		E165-000140	1	PIPE,BLOWER	418MM*73/79MM	Sus. by E165-000141	
3		E165-000130	1	PIPE,BLOWER	362MM*73/84MM		
4		V495-000430	1	BAND	58.7MM / 82.5MM		
5		V491-000190	1	CLIP	THROTTLE CLIP	Sus. by V491-000191	
6		E164-000060	1	PIPE,FLEXIBLE	ACT050324-A 9A		
7		V495-000440	1	BAND	77.8MM /101.6MM		
8		E160-000091	1	PIPE,MAIN			
9		895410-39131	1	WRENCH, W/S-DRIVER			

18. Pipe, Tool(Sr/Nr 36001101 to 36001180)



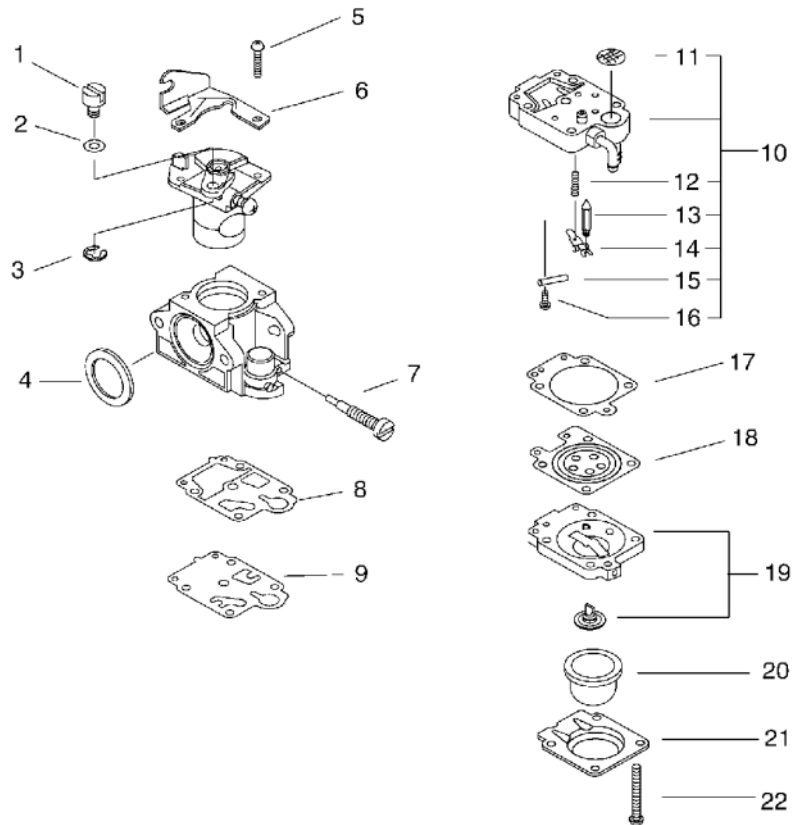
KEY	LV	PART NUMBER	Q'TY	DESCRIPTION	REMARKS	NOTE1	NOTE2
1		E165-000160	1	PIPE,BLOWER	418MM*65/79MM		
2		E165-000140	1	PIPE,BLOWER	418MM*73/79MM		
3		E165-000130	1	PIPE,BLOWER	362MM*73/84MM		
4		V495-000430	1	BAND	58.7MM / 82.5MM		
5		V491-000190	1	CLIP	THROTTLE CLIP	Sus. by V491-000191	
6		E164-000060	1	PIPE,FLEXIBLE	ACT050324-A 9A		
7		V495-000440	1	BAND	77.8MM /101.6MM		
8		E160-000091	1	PIPE,MAIN			
9		895410-39131	1	WRENCH, W/S-DRIVER			

19. Pipe, Tool(Sr/Nr 36001181 and after)



KEY	LV	PART NUMBER	Q'TY	DESCRIPTION	REMARKS	NOTE1	NOTE2
1		E165-000160	1	PIPE,BLOWER	418MM*65/79MM		
2		E165-000140	1	PIPE,BLOWER	418MM*73/79MM		
3		E165-000130	1	PIPE,BLOWER	362MM*73/84MM		
4		V495-000430	1	BAND	58.7MM / 82.5MM		
5		V491-000190	1	CLIP	THROTTLE CLIP	Sus. by V491-000191	
5		V491-000191	1	CLIP			
6		E164-000060	1	PIPE,FLEXIBLE	ACT050324-A 9A		
7		V495-000440	1	BAND	77.8MM /101.6MM		
8		E160-000091	1	PIPE,MAIN			
9		895410-39131	1	WRENCH, W/S-DRIVER			

20. Carburetor



KEY	LV	PART NUMBER	Q'TY	DESCRIPTION	REMARKS	NOTE1	NOTE2
		A021-000810	1	CARBURETOR,DIAPHRAGM	WYK-192		
1	+	123172-45130	1	SWIVEL			
2	+	123149-54230	1	WASHER			
3	+	123173-07930	1	CLIP			
4	+	123143-12110	1	RING, PACKING			
5	+	123114-40630	2	SCREW			
6	+	P003-000180	1	BRACKET CABLE			
7	+	P003-001130	1	NEEDLE, HIGH SPEED			
8	+	123125-40630	1	GASKET, PUMP			
9	+	123112-40630	1	DIAPHRAGM, PUMP			
10	+	P003-000630	1	BODY ASSEMBLY, PUMP			
11	++	123126-10631	1	SCREEN, INLET			
12	++	123122-05560	1	SPRING, METER. LEVER			
13	++	123137-19830	1	VALVE, INLET NEEDLE			
14	++	123123-03930	1	LEVER, METERING			
15	++	123138-03930	1	PIN, METERING LEVER			
16	++	123139-05560	1	SCREW, M. LEVER PIN			
17	+	123140-05560	1	GASKET, M. DIAPHRAGM			
18	+	P003-000090	1	METERING, DIAPHRAGM			
19	+	123180-05560	1	BODY, AIR PURGE			
20	+	123181-40630	1	PUMP, PRIMER			
21	+	123142-05560	1	COVER, PRIMER PUMP			
22	+	123110-05560	4	SCREW, PUMP COVER			

21. Repair Kit

KEY	LV	PART NUMBER	Q'TY	DESCRIPTION	REMARKS	NOTE1	NOTE2
		P003-000650	1	GASKET/DIAPHRAGM KIT	D21-WYK		
9-4	+	123143-12110	1	RING, PACKING			
9-8	+	123125-40630	1	GASKET, PUMP			
9-9	+	123112-40630	1	DIAPHRAGM, PUMP			
9-17	+	123140-05560	1	GASKET, M. DIAPHRAGM			
	+	123183-54230	1	O-RING			
	+	123183-12110	1	O-RING			
	+	123143-12210	1	RING, PACKING			
	+	123183-05960	1	O-RING			
	+	123140-02960	1	GASKET, M. DIAPHRAGM			
	+	123159-40630	1	GASKET, PLATE			
	+	123141-03930	1	DIAPHRAGM, METERING			
		P003-000660	1	REPAIR KIT	K21-WYK		
9-4	+	123143-12110	1	RING, PACKING			
9-8	+	123125-40630	1	GASKET, PUMP			
9-9	+	123112-40630	1	DIAPHRAGM, PUMP			
9-11	+	123126-10631	1	SCREEN, INLET			
9-13	+	123137-19830	1	VALVE, INLET NEEDLE			
9-14	+	123123-03930	1	LEVER, METERING			
9-15	+	123138-03930	1	PIN, METERING LEVER			
9-17	+	123140-05560	1	GASKET, M. DIAPHRAGM			
	+	123183-54230	1	O-RING			
	+	123183-12110	1	O-RING			
	+	123143-12210	1	RING, PACKING			
	+	123183-05960	1	O-RING			
	+	123140-02960	1	GASKET, M. DIAPHRAGM			

21. Repair Kit

KEY	LV	PART NUMBER	Q'TY	DESCRIPTION	REMARKS	NOTE1	NOTE2
	+	123159-40630	1	GASKET, PLATE			
	+	123141-03930	1	DIAPHRAGM, METERING			
		P021-005932	1	GASKET KIT			
1-1	+	V104-000720	1	GASKET,EXHAUST			
1-4	+	V100-000100	1	GASKET,CYL			
1-19	+	V102-000010	1	GASKET,CRANKCASE			
3-8	+	V103-000080	1	GASKET,INTAKE			
3-10	+	V103-000140	1	GASKET,INTAKE			
3-13	+	V103-000130	1	GASKET,INTAKE			

Index

Patrs Number	Key No.	Patrs Number	Key No.	Patrs Number	Key No.
100015-00120	1 - 11	123183-12110	21 -	178123-07561	15 - 11
100015-00120	2 - 11	123183-12110	21 -	178123-07561	16 - 11
100215-03930	1 - 21	123183-54230	21 -	178516-07560	14 - 19
100215-03930	2 - 21	123183-54230	21 -	178516-07560	15 - 19
100905-08261	12 - 10	131004-55530	8 - 1	300105-08261	12 - 4
100905-08261	13 - 10	131016-55830	8 - 2	300105-08261	13 - 4
104915-08260	10 - 4	131051-56030	8 - 3	305812-08260	14 - 20
104915-08260	11 - 4	131205-19830	8 - 10	305812-08260	15 - 20
104915-08260	9 - 4	131328-40630	8 - 13	305812-08260	16 - 20
123110-05560	20 - 22	132010-35430	8 - 11	351146-07560	14 - 2
123112-40630	20 - 9	132013-26630	8 - 9	351146-07560	15 - 2
123112-40630	21 - 9-9	132115-55930	8 - 8	351146-07560	16 - 2
123112-40630	21 - 9-9	145642-06230	10 - 13	351311-07560	14 - 3
123114-40630	20 - 5	145642-06230	11 - 13	351311-07560	15 - 3
123122-05560	20 - 12	145642-06230	9 - 13	351311-07560	16 - 3
123123-03930	20 - 14	151112-04630	1 - 23	351315-07560	14 - 13
123123-03930	21 - 9-14	151112-04630	2 - 23	351315-07560	15 - 13
123125-40630	20 - 8	156111-06160	3 - 8	351315-07560	16 - 13
123125-40630	21 - 9-8	156111-06160	4 - 8	613019-07350	10 - 7
123125-40630	21 - 9-8	156111-06160	5 - 8	613019-07350	11 - 7
123126-10631	20 - 11	159011-03432	3 - 10	613019-07350	12 - 6
123126-10631	21 - 9-11	159011-03432	4 - 10	613019-07350	12 - 12
123137-19830	20 - 13	159011-03432	5 - 10	613019-07350	13 - 6
123137-19830	21 - 9-13	159012-03433	3 - 9	613019-07350	13 - 12
123138-03930	20 - 15	159012-03433	4 - 9	613019-07350	9 - 7
123138-03930	21 - 9-15	159012-03433	5 - 9	890118-17930	3 - 29
123139-05560	20 - 16	159129-08260	1 - 24	890118-17930	4 - 29
123140-02960	21 -	159129-08260	2 - 24	890118-17930	5 - 29
123140-02960	21 -	177227-42030	3 - 25	890157-06560	14 - 1
123140-05560	20 - 17	177227-42030	4 - 25	890157-06560	15 - 1
123140-05560	21 - 9-17	177227-42030	5 - 25	890157-06560	16 - 1
123140-05560	21 - 9-17	177228-11620	3 - 26	890160-06361	10 - 28
123141-03930	21 -	177228-11620	4 - 26	890160-06361	11 - 28
123141-03930	21 -	177228-11620	5 - 26	890160-06361	9 - 28
123142-05560	20 - 21	177236-61830	3 - 17	890160-09461	10 - 20
123143-12110	20 - 4	177236-61830	4 - 17	890160-09461	11 - 20
123143-12110	21 - 9-4	177236-61830	5 - 17	890160-09461	9 - 20
123143-12110	21 - 9-4	178010-07561	14 - 9	890332-52730	6 - 7
123143-12210	21 -	178010-07561	15 - 9	890332-52730	7 - 7
123143-12210	21 -	178010-07561	16 - 9	895410-39131	17 - 9
123149-54230	20 - 2	178021-08260	14 - 5	895410-39131	18 - 9
123159-40630	21 -	178021-08260	15 - 5	895410-39131	19 - 9
123159-40630	21 -	178054-07560	14 - 14	900105-05020	12 - 11
123172-45130	20 - 1	178054-07560	15 - 14	900105-05020	13 - 11
123173-07930	20 - 3	178054-07560	16 - 14	900105-05060	10 - 19
123180-05560	20 - 19	178111-22330	10 - 24	900105-05060	11 - 19
123181-40630	20 - 20	178111-22330	11 - 24	900105-05060	6 - 4
123183-05960	21 -	178111-22330	9 - 24	900105-05060	7 - 4
123183-05960	21 -	178123-07561	14 - 11	900105-05060	9 - 19

Index

Patrs Number	Key No.	Patrs Number	Key No.	Patrs Number	Key No.
900105-06035	10 - 12	900500-00006	14 - 12	91145-05020	9 - 29
900105-06035	11 - 12	900500-00006	15 - 12	91367-04010	3 - 33
900105-06035	9 - 12	900500-00006	16 - 5	91367-04010	4 - 33
900106-05008	1 - 5	900500-00006	16 - 12	91367-04010	5 - 33
900106-05008	2 - 5	900501-00010	3 - 1	94032-36302	1 - 20
900106-05014	3 - 28	900501-00010	4 - 1	94032-36302	2 - 20
900106-05014	3 - 35	900501-00010	5 - 1	A011-000140	1 - 14
900106-05014	4 - 28	900503-00006	14 - 8	A011-000140	2 - 14
900106-05014	4 - 35	900503-00006	15 - 8	A021-000810	20 -
900106-05014	5 - 28	900503-00006	16 - 8	A021-000810	6 - 9
900106-05014	5 - 35	900516-00005	10 - 8	A021-000810	7 - 9
900106-05016	8 - 5	900516-00005	11 - 8	A051-000841	3 - 16
900106-05020	10 - 5	900516-00005	12 - 5	A051-000841	4 - 16
900106-05020	11 - 5	900516-00005	13 - 5	A051-000841	5 - 16
900106-05020	9 - 5	900516-00005	9 - 8	A052-000042	3 - 12
900106-05025	6 - 11	900562-50005	10 - 2	A052-000042	4 - 12
900106-05025	7 - 11	900562-50005	11 - 2	A052-000042	5 - 12
900162-05018	1 - 25	900562-50005	9 - 2	A101-000020	1 - 9
900162-05018	2 - 25	900602-00010	3 - 3	A101-000020	2 - 9
900162-05022	2 - 25	900602-00010	4 - 3	A101-000030	1 - 8
900162-05022	3 - 5	900602-00010	5 - 3	A101-000030	2 - 8
900162-05022	4 - 5	900603-00005	10 - 26	A130-000510	1 - 3
900162-05022	5 - 5	900603-00005	11 - 26	A130-000510	2 - 3
900162-05025	1 - 2	900603-00005	9 - 26	A130-000511	2 - 3
900162-05025	2 - 2	900603-00006	14 - 15	A160-000340	1 - 6
900162-05035	1 - 17	900603-00006	15 - 15	A160-000340	2 - 6
900162-05035	2 - 17	900603-00006	16 - 15	A190-000111	10 - 30
900162-06035	1 - 22	900605-00006	14 - 16	A190-000111	11 - 30
900162-06035	2 - 22	900605-00006	15 - 16	A190-000111	9 - 30
900235-06020	14 - 17	900605-00006	16 - 16	A200-000070	6 - 12
900235-06020	15 - 17	900605-00010	3 - 2	A200-000070	7 - 12
900235-06020	16 - 17	900605-00010	4 - 2	A226-000032	6 - 3
900245-04010	14 - 10	900605-00010	5 - 2	A226-000032	7 - 3
900245-04010	15 - 10	91107-06020	3 - 30	A232-000080	6 - 2
900245-04010	16 - 10	91107-06020	4 - 30	A244-000040	6 - 5
900246-05014	10 - 17	91107-06020	5 - 30	A244-000040	7 - 5
900246-05014	11 - 17	91145-05016	10 - 25	A310-000000	3 - 34
900246-05014	9 - 17	91145-05016	11 - 25	A310-000000	4 - 34
900253-05010	10 - 21	91145-05016	12 - 9	A310-000000	5 - 34
900253-05010	11 - 21	91145-05016	13 - 9	A313-000310	3 - 32
900253-05010	9 - 21	91145-05016	9 - 25	A313-000310	4 - 32
900253-05020	14 - 21	91145-05020	10 - 6	A313-000310	5 - 32
900253-05020	15 - 21	91145-05020	10 - 10	A322-000020	10 - 23
900253-05020	16 - 21	91145-05020	10 - 29	A322-000020	11 - 23
900256-04022	14 - 18	91145-05020	11 - 6	A322-000020	9 - 23
900256-04022	15 - 18	91145-05020	11 - 10	A350-000151	8 - 4
900256-04022	16 - 18	91145-05020	11 - 29	A356-000030	8 - 12
900323-03014	1 - 15	91145-05020	9 - 6	A392-000000	8 - 6
900323-03014	2 - 15	91145-05020	9 - 10	A409-000250	3 - 4

Index

Patrs Number	Key No.	Patrs Number	Key No.	Patrs Number	Key No.
A409-000250	4 - 4	E160-000091	17 - 8	P022-010231	5 - 20
A409-000250	5 - 4	E160-000091	18 - 8	P022-010240	3 - 21
A415-000000	3 - 6	E160-000091	19 - 8	P022-010240	4 - 21
A415-000000	4 - 6	E164-000060	17 - 6	P022-010240	5 - 21
A415-000000	5 - 6	E164-000060	18 - 6	P022-010250	3 - 18
A425-000000	3 - 11	E164-000060	19 - 6	P022-010250	4 - 18
A425-000000	4 - 11	E165-000130	17 - 3	P022-010250	5 - 18
A425-000000	5 - 11	E165-000130	18 - 3	P022-010260	3 - 27
C061-000110	12 - 1	E165-000130	19 - 3	P022-010260	4 - 27
C061-000110	13 - 1	E165-000140	17 - 2	P022-010260	5 - 27
C066-000003	12 - 7	E165-000140	18 - 2	P022-010270	3 - 24
C066-000004	12 - 7	E165-000140	19 - 2	P022-010270	4 - 24
C066-000004	13 - 7	E165-000160	17 - 1	P022-010270	5 - 24
C405-000020	14 - 22	E165-000160	18 - 1	P022-010280	3 - 22
C405-000020	15 - 22	E165-000160	19 - 1	P022-010280	4 - 22
C405-000030	14 - 4	P003-000090	20 - 18	P022-010280	5 - 22
C405-000030	15 - 4	P003-000180	20 - 6	V043-000080	14 - 6
C405-000230	16 - 22	P003-000630	20 - 10	V043-000080	15 - 6
C405-000240	16 - 4	P003-000650	21 -	V043-000080	16 - 6
C617-000150	12 - 8	P003-000660	21 -	V100-000100	1 - 4
C617-000150	13 - 8	P003-001130	20 - 7	V100-000100	2 - 4
C626-000010	12 - 13	P021-002521	6 - 6	V100-000100	21 - 1-4
C626-000010	13 - 13	P021-002982	1 - 7	V102-000010	1 - 19
C626-000030	12 - 15	P021-002982	2 - 7	V102-000010	2 - 19
C626-000030	13 - 15	P021-002991	1 - 16	V102-000010	21 - 1-19
C632-000042	10 - 15	P021-002991	2 - 16	V103-000080	21 - 3-8
C632-000042	11 - 15	P021-005932	21 -	V103-000080	6 - 8
C632-000042	9 - 15	P021-008210	3 - 31	V103-000080	7 - 8
C632-000052	10 - 16	P021-008210	4 - 31	V103-000130	21 - 3-13
C632-000052	11 - 16	P021-008210	5 - 31	V103-000130	6 - 13
C632-000052	9 - 16	P021-013320	16 - 23	V103-000130	7 - 13
E100-000041	10 - 14	P021-014431	7 - 14	V103-000140	21 - 3-10
E100-000041	11 - 14	P022-002100	3 - 13	V103-000140	6 - 10
E100-000041	9 - 14	P022-002100	4 - 13	V103-000140	7 - 10
E103-000341	10 - 18	P022-002100	5 - 13	V104-000720	1 - 1
E103-000341	11 - 18	P022-003120	3 - 15	V104-000720	2 - 1
E103-000341	9 - 18	P022-003120	4 - 15	V104-000720	21 - 1-1
E103-000350	10 - 11	P022-003120	5 - 15	V152-000770	10 - 22
E103-000350	11 - 11	P022-003130	3 - 14	V152-000770	11 - 22
E103-000350	9 - 11	P022-003130	4 - 14	V152-000770	9 - 22
E104-000041	10 - 1	P022-003130	5 - 14	V186-000080	8 - 15
E104-000041	11 - 1	P022-004680	3 - 23	V253-000170	4 - 28
E104-000041	9 - 1	P022-004680	4 - 23	V253-000170	4 - 35
E104-000051	10 - 3	P022-004680	5 - 23	V253-000170	5 - 28
E104-000051	11 - 3	P022-010220	3 - 19	V253-000170	5 - 35
E104-000051	9 - 3	P022-010220	4 - 19	V299-000290	6 - 1
E109-000010	10 - 9	P022-010220	5 - 19	V299-000290	7 - 1
E109-000010	11 - 9	P022-010231	3 - 20	V307-000060	1 - 13
E109-000010	9 - 9	P022-010231	4 - 20	V307-000060	2 - 13

Index

Patrs Number	Key No.	Patrs Number	Key No.	Patrs Number	Key No.
V340-000210	7 - 15				
V401-000070	12 - 14				
V401-000070	13 - 14				
V420-000570	10 - 27				
V420-000570	11 - 27				
V420-000570	9 - 27				
V471-000550	8 - 7				
V471-000610	8 - 14				
V485-000190	3 - 7				
V485-000190	4 - 7				
V485-000190	5 - 7				
V491-000040	12 - 2				
V491-000040	13 - 2				
V491-000110	13 - 16				
V491-000120	12 - 3				
V491-000120	13 - 3				
V491-000190	17 - 5				
V491-000190	18 - 5				
V491-000190	19 - 5				
V491-000191	19 - 5				
V494-000080	14 - 7				
V494-000080	15 - 7				
V494-000080	16 - 7				
V495-000430	17 - 4				
V495-000430	18 - 4				
V495-000430	19 - 4				
V495-000440	17 - 7				
V495-000440	18 - 7				
V495-000440	19 - 7				
V508-000010	1 - 18				
V508-000010	2 - 18				
V555-000010	1 - 12				
V555-000010	2 - 12				
V608-000010	1 - 10				
V608-000010	2 - 10				
X502-000460	5 - 29				
X503-007450	10 - 31				
X503-007450	11 - 31				
X503-007450	9 - 31				
X503-007451	11 - 31				
X505-002310	11 - 28				

YAMABIKO CORPORATION

7-2 SUEHIROCHO 1-CHOME, OHME, TOKYO 198-8760, JAPAN
PHONE: 81-428-32-6118. FAX: 81-428-32-6145.

