

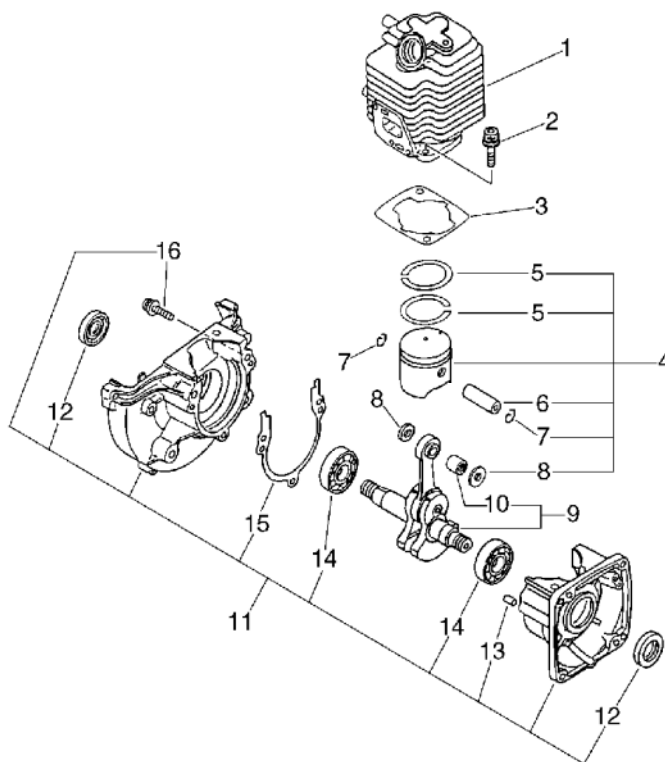


PARTS CATALOGUE

HANDHELD BLOWER

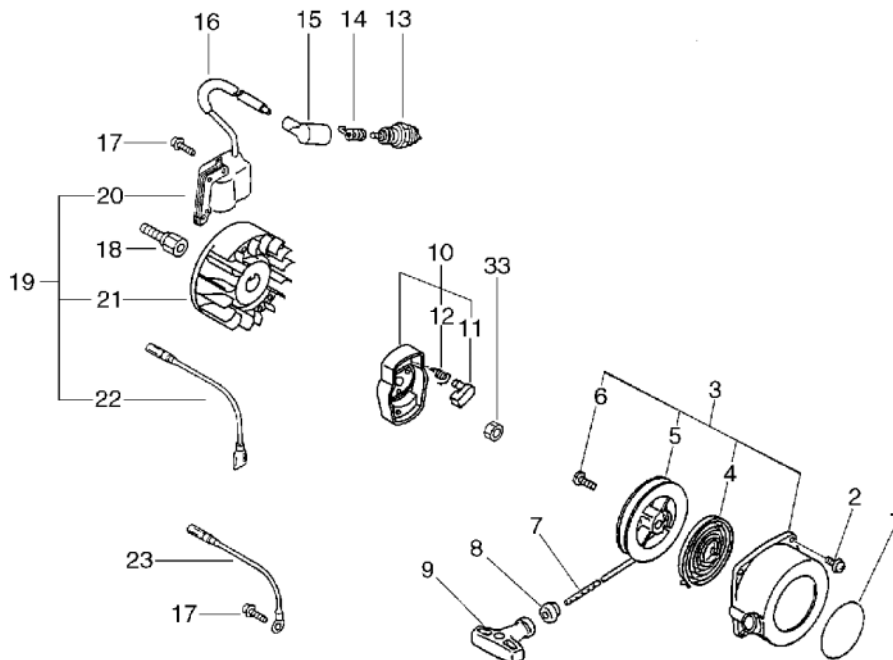
PB-2550(35)(36)

1. Cylinder, Crankcase, Piston



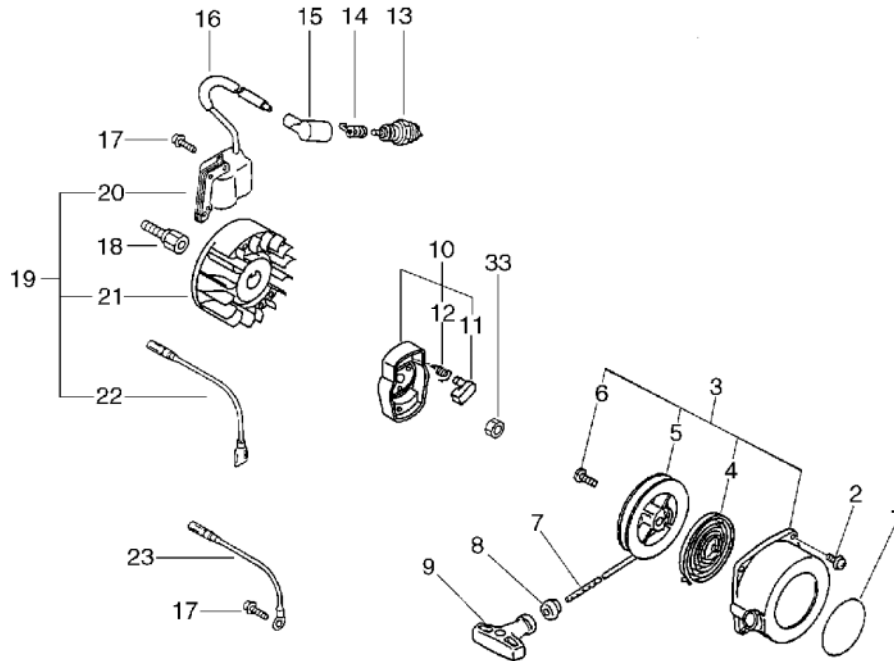
KEY	LV	PART NUMBER	Q'TY	DESCRIPTION	REMARKS	NOTE1	NOTE2
1		101011-08961	1	CYLINDER (CR)			
2		900162-05022	2	BOLT, H.S. 5*22	5*22 W,SW		
3		101010-44332	1	GASKET, CYL. BASE			
4		100000-09563	1	PISTON KIT			
5	+	100011-09560	2	RING, PISTON			
6	+	100013-11520	1	PIN, PISTON			
7	+	100015-04630	2	CIRCLIP, PISTON PIN			
8	+	100014-11520	2	SPACER, PISTON PIN			
9		A011-000160	1	CRANKSHAFT,ASM			
10	+	V553-000010	1	BEARING,NEEDLE 8	HK0810		
11		100204-52130	1	CRANKCASE KIT		Sus. by 100204-52132	
11		100204-52131	1	CRANKCASE KIT		Sus. by 100204-52132	
11		100204-52132	1	CRANKCASE KIT			
12	+	100212-42030	2	OILSEAL	ISCD12*22*4.5	Sus. by 100212-42031	
12	+	100212-42031	2	OILSEAL	ISCD 12*22*4.5		
13	+	100215-03930	2	PIN, DOWEL			
14	+	94035-36201	2	BEARING BALL	6201X3JR2C3		
15	+	100242-42030	1	GASKET, CRANKCASE			
16	+	900162-05028	3	BOLT, H.S. 5*28	5*28 W,SW		

2. Starter, Magneto



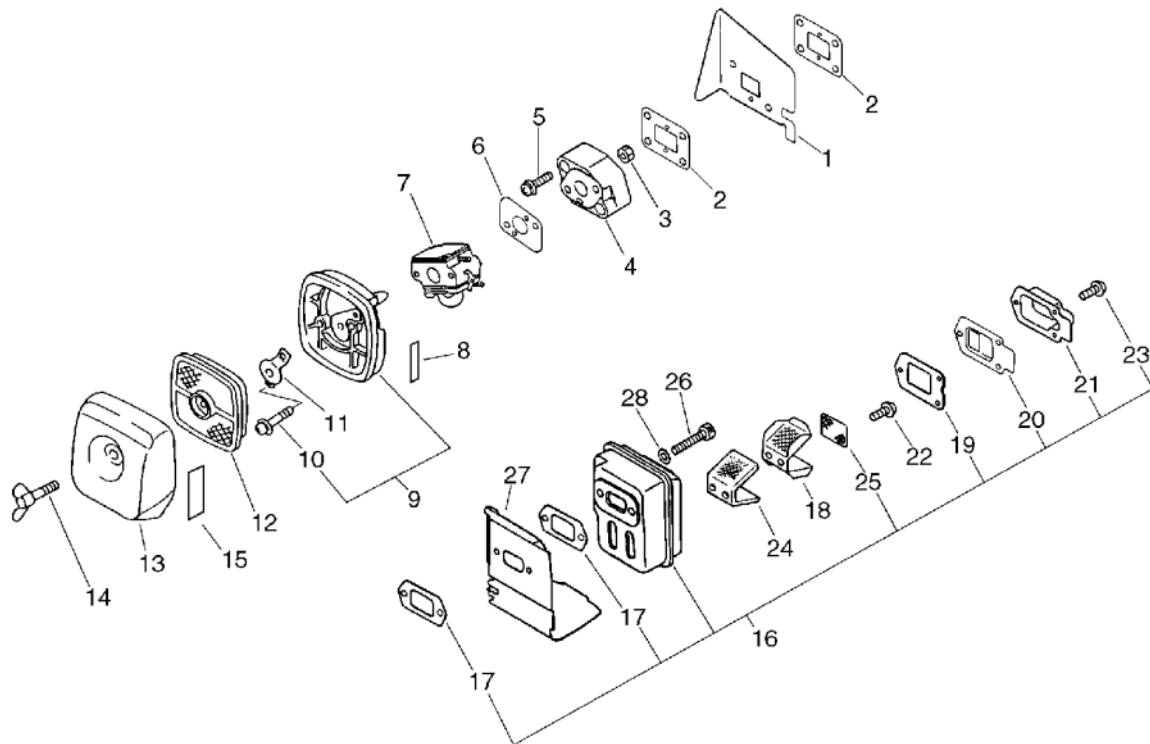
KEY	LV	PART NUMBER	Q'TY	DESCRIPTION	REMARKS	NOTE1	NOTE2
1		890118-49130	1	LABEL, ECHO			
2		900163-04016	4	BOLT HSH			
3		177200-42033	1	STARTER ASSY			
4	+	177220-42030	1	SPRING, REWIND			
5	+	177215-44430	1	DRUM, STARTER			
6	+	177236-44330	1	SCREW			
7	+	177226-10120	1	ROPE, STARTER	3.0*1000		
8	+	177227-42030	1	GUIDE, ROPE			
9	+	177228-06530	1	GRIP, STARTER			
10		A052-000050	1	PULLEY,ASM STARTER		Sus. by A052-000061	
10		A052-000060	1	PULLEY,ASM STARTER		Sus. by A052-000061	
10		A052-000061	1	PULLEY,ASM STARTER			
11	+	177218-44330	1	PAWL, STARTER	BLACK		
12	+	177234-42030	1	SPRING, RETURN		Can be used on the A052-000050 only	
12	+	177234-12220	1	SPRING, PAWL		Can be used on the A052-000060 only	
13		159017-10230	1	PLUG, SPARK (RCJ-7Y)	RCJ-7Y		
14		159011-03432	1	COIL, SPARK PLUG			
15		159012-03433	1	CAP, SPARK PLUG			
16		156611-05060	1	TUBE	6*8*150		
17		900162-04022	2	BOLT, H.S. 4*22	4*22 W,SW		

2. Starter, Magneto



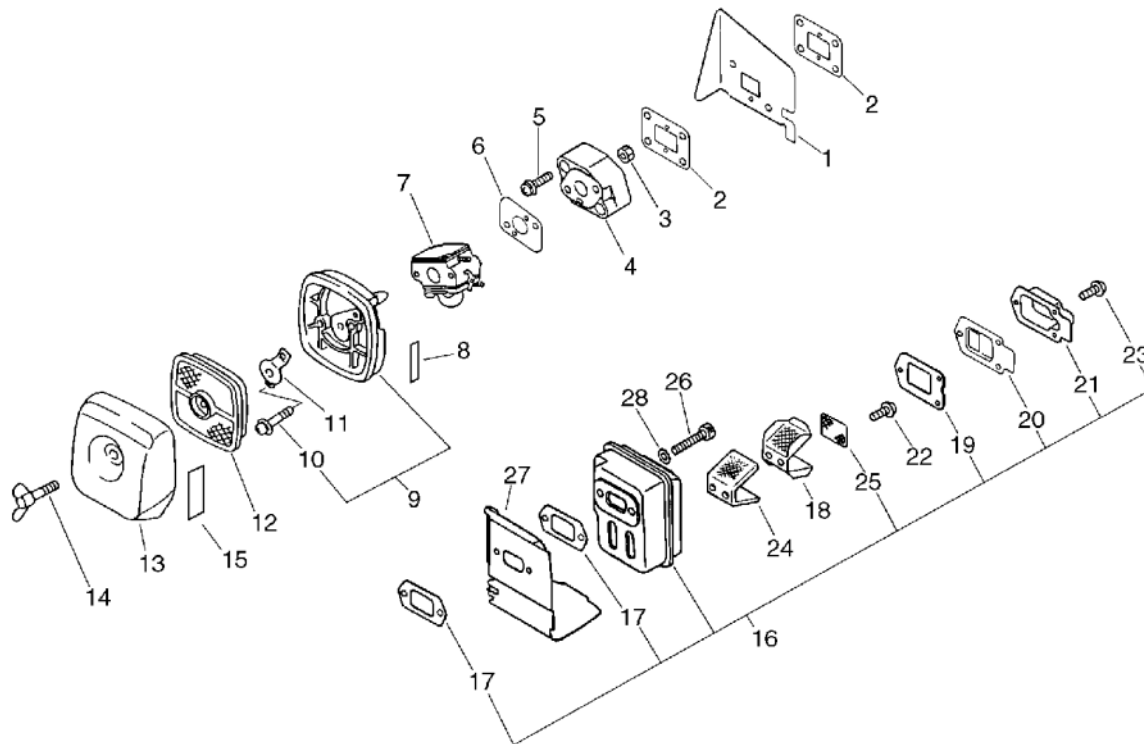
KEY	LV	PART NUMBER	Q'TY	DESCRIPTION	REMARKS	NOTE1	NOTE2
18		200011-05661	1	HUB, FAN			
19		P021-001181	1	MAGNETO ASY			
20	+	A411-000020	1	COIL,IGNITION			
21	+	A409-000100	1	ROTOR,MAGNETO			
22	+	V485-000040	1	LEAD			
23		162021-20560	1	LEAD	130L		
33		900595-00008	1	NUT	8		

3. Air Cleaner, Muffler



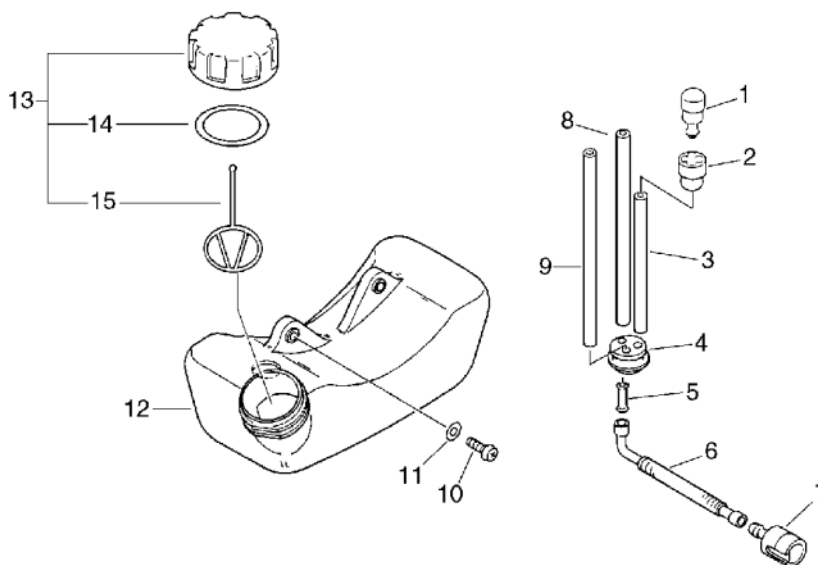
KEY	LV	PART NUMBER	Q'TY	DESCRIPTION	REMARKS	NOTE1	NOTE2
1		101514-20560	1	COVER, CYLINDER			
2		130010-09561	2	GASKET, INTAKE			
3		900500-00005	2	NUT 5	5		
4		130017-05062	1	INSULATOR, INTAKE			
5		900238-05022	2	SCREW 5*22	5*22		
6		130010-20560	1	GASKET, INTAKE			
7		125200-09561	1	CARBURETOR	C1U-K44B	Sus. by 125200-09562	
7		125200-09562	1	CARBURETOR	C1U-K44B		
8		890560-90660	1	LABEL, PRIMING			
9		P021-002921	1	CASE, AIR CLEANER			
10	+	900242-05065	2	SCREW 5*65	5*65		
11		129011-52730	1	PLATE, PREVENT			
12		130310-54130	1	FILTER, AIR			
13		130313-06563	1	LID, AIR CLEANER			
14		210417-52730	1	BOLT, WING	5*20		
15		890121-05360	1	LABEL, METERING			
16		145803-09660	1	MUFFLER ASSY		Sus. by P021-008840	
16		P021-008840	1	MUFFLER ASY			
17	+	V104-000160	2	GASKET, EXHAUST			
18	+	145862-52130	1	SCREEN, MUFFLER		Can be used on the 145803-09660 only	
19	+	145866-42031	1	GASKET, MUFFLER LID			
20	+	145876-42030	1	LID, MUFFLER (B)			

3. Air Cleaner, Muffler



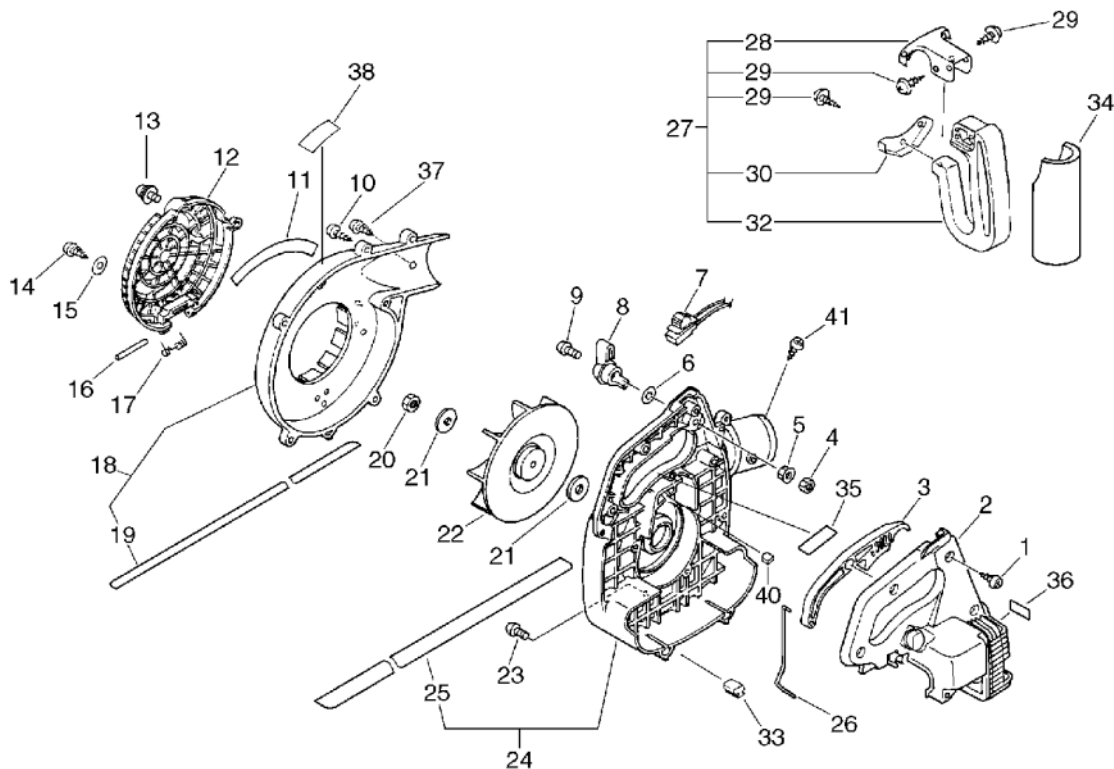
KEY	LV	PART NUMBER	Q'TY	DESCRIPTION	REMARKS	NOTE1	NOTE2
21	+	145876-05061	1	PLATE			
22	+	900238-04010	2	SCREW 4*10	4*10	Can be used on the 145803-09660 only	
23	+	900242-04010	3	SCREW 4*10	4*10		
24	+	145820-52130	1	CATALYST		Can be used on the 145803-09660 only	
25	+	145862-40630	1	SCREEN, MUFFLER		Can be used on the P021-008840 only	
26		900105-05055	2	BOLT, H.S. 5*55	5*55		
27		145871-05760	1	COVER, MUFFLER			
28		900603-00005	2	WASHER 5	5.5*12*0.8		

4. Fuel Tank



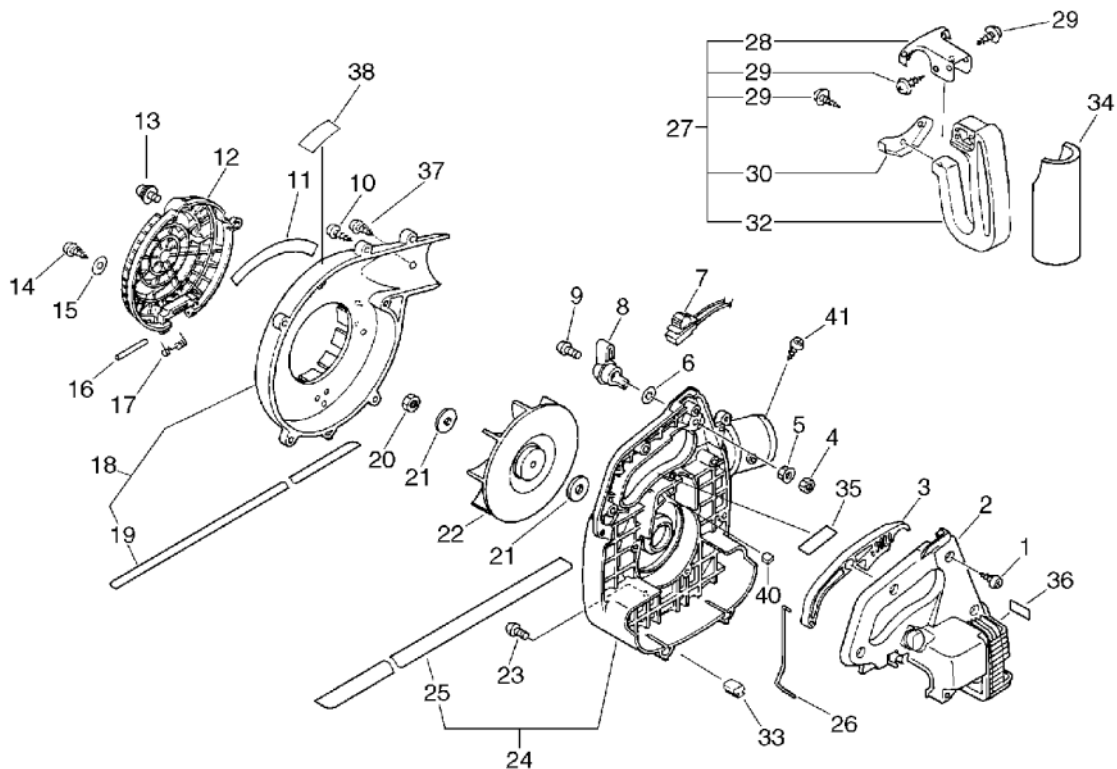
KEY	LV	PART NUMBER	Q'TY	DESCRIPTION	REMARKS	NOTE1	NOTE2
1		131300-56430	1	VALVE, CHECK		Sus. by A356-000030	
1		A356-000030	1	VALVE,CHECK			
2		131328-40630	1	COVER, VENT			
3		131312-39130	1	PIPE	3*5*70(+3)NBR		
4		132115-46730	1	GROMMET, FUEL		Sus. by V137-000030	
4		V137-000030	1	GROMMET,FUEL			
5		132011-03360	1	CONNECTOR, FUEL PIPE			
6		132012-12360	1	PIPE, FUEL		Sus. by 132012-12361	
7		131205-07320	1	STRAINER, FUEL			
8		437210-11131	1	PIPE 3*5*90 NBR	3*5*90 NBR		
9		132010-56330	1	PIPE 3*6*90	3*6*90 YL		
10		900238-05016	2	SCREW 5*16	5*16		
11		900603-00005	2	WASHER 5	5.5*12*0.8		
12		131005-20560	1	TANK, FUEL		Sus. by 131005-20561	
12		131005-20561	1	TANK, FUEL			
13		131004-55530	1	CAP ASSY, FUEL TANK			
14	+	131016-55830	1	GASKET, FUEL CAP			
15	+	131051-56030	1	CLIP, FUEL CAP	100L		

5. Fan Case, Handle



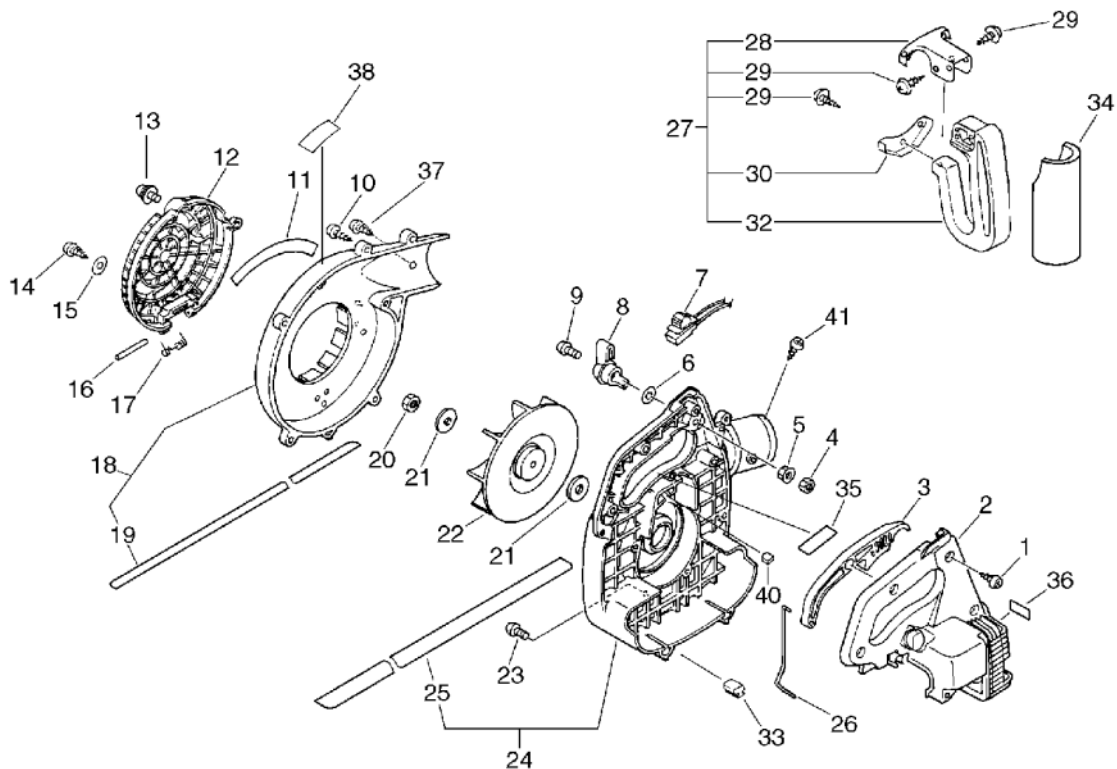
KEY	LV	PART NUMBER	Q'TY	DESCRIPTION	REMARKS	NOTE1	NOTE2
1		900253-05020	5	SCREW 5*20	5*20	Sus. by 900253-05020 Q'ty:7	
1		900253-05020	7	SCREW 5*20	5*20	Can be used on 104012-20561 only	
2		104012-20560	1	COVER		Sus. by 104012-20561	
2		104012-20561	1	COVER			
3		178010-20560	1	CONTROL, THROTTLE			
4		900502-00005	1	NUT 5 (3N)	3N5		
5		900516-00005	1	NUT, FRANGE 5	5		
6		900603-00005	1	WASHER 5	5.5*12*0.8		
7		163401-20561	1	SWITCH, IGNITION			
8		178054-20560	1	CONTROL, THROTTLE			
9		900238-05025	1	SCREW 5*25	5*25	Sus. by 91358-05025	
9		91358-05025	1	SCREW	SM-5*25 シーロツクメツ ク		
10		900253-05020	6	SCREW 5*20	5*20		
11		X503-002500	1	LABEL,MODEL	PB-2550		
12		200124-20661	1	GRID, FAN CASE			
13		900238-05022	1	SCREW 5*22	5*22	Sus. by V203-000060	
13		130406-20660	1	THUMB		Sus. by V203-000060	

5. Fan Case, Handle



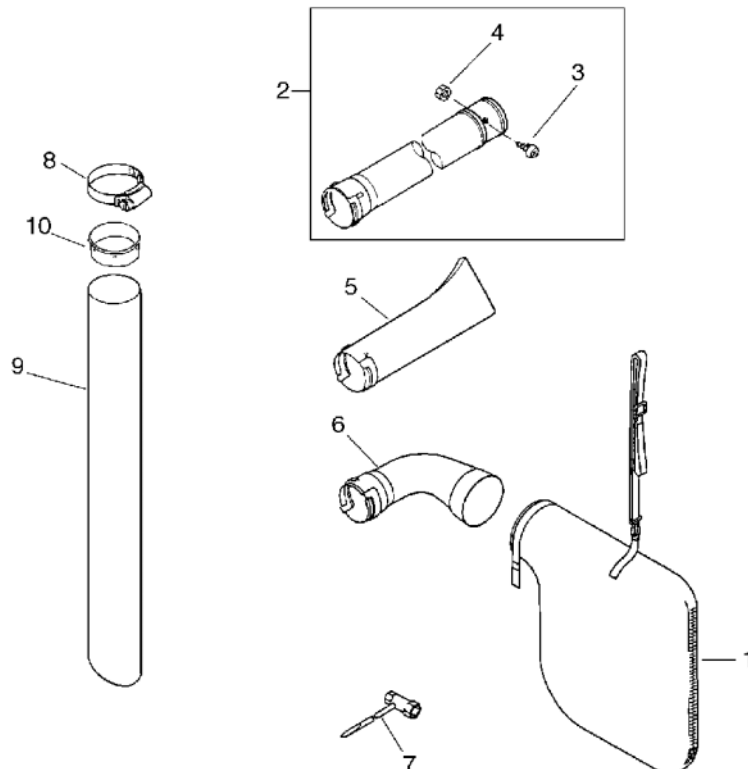
KEY	LV	PART NUMBER	Q'TY	DESCRIPTION	REMARKS	NOTE1	NOTE2
13		V203-000060	1	BOLT,5			
14		900253-05014	1	SCREW 5*14	5*14		
15		900603-00005	1	WASHER 5	5.5*12*0.8		
16		200150-05060	1	SHAFT, GRID			
17		200152-05060	1	SPRING, GRID			
18		200109-20662	1	CASE, FAN		Sus. by 200111-20664	
18		200109-20663	1	CASE, FAN		Sus. by 200111-20664	
18		200111-20664	1	CASE, FAN			
19	+	220120-20561	1	CUSHION		Can be used on 200111-20663 only	
20		900500-00008	1	NUT 8	8*P1.25		
21		100132-05660	2	WASHER	8.2*30*3.0		
22		200010-06363	1	FAN			
23		900162-04022	4	BOLT, H.S. 4*22	4*22 W,SW		
24		200108-20662	1	CASE, FAN		Sus. by P021-003703	
24		P021-003700	1	CASE,FAN(W/PLUG)		Sus. by P021-003703	
24		P021-003701	1	CASE,FAN(W/PLUG)		Sus. by P021-003703	
25	+	220120-20661	1	CUSHION			
40	+	101538-28230	1	GROMMET,PLUG			

5. Fan Case, Handle



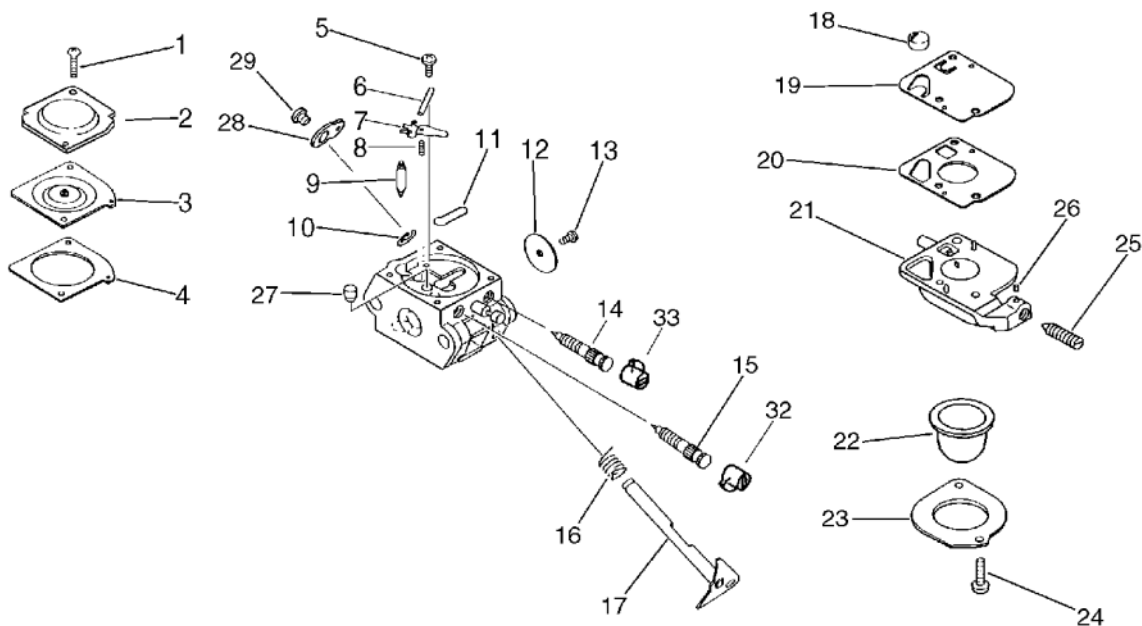
KEY	LV	PART NUMBER	Q'TY	DESCRIPTION	REMARKS	NOTE1	NOTE2
24		P021-003702	1	CASE,FAN(W/PLUG)		Sus. by P021-003703	
24		P021-003703	1	CASE,FAN(W/PLUG)			
40	+	101538-28230	1	GROMMET,PLUG			
26		178011-20560	1	ROD, THROTTLE		Sus. by 178011-20561	
26		178011-20561	1	ROD, THROTTLE			
27		351000-05060	1	HANDLE ASSY, REAR			
28	+	351011-05060	1	SUPPORTER HANDLE			
29	+	900253-05016	3	SCREW	5*16		
30	+	351028-05060	1	SUPPORTER, HANDLE			
32	+	351010-05060	1	HANDLE (BL)			
33		351335-20560	2	CUSHION			
34		351213-54330	1	GRIP, HANDLE			
35		890160-09461	1	LABEL, CAUTION			
36		890160-06361	1	LABEL, CAUTION		Sus. by X505-002310	
37		900256-05010	1	SCREW, TAPPING			
38		X505-001010	1	LABEL,CAUTION		Sr/Nr 35001757 and after	

6. Pipe, Dust Bag, Tool



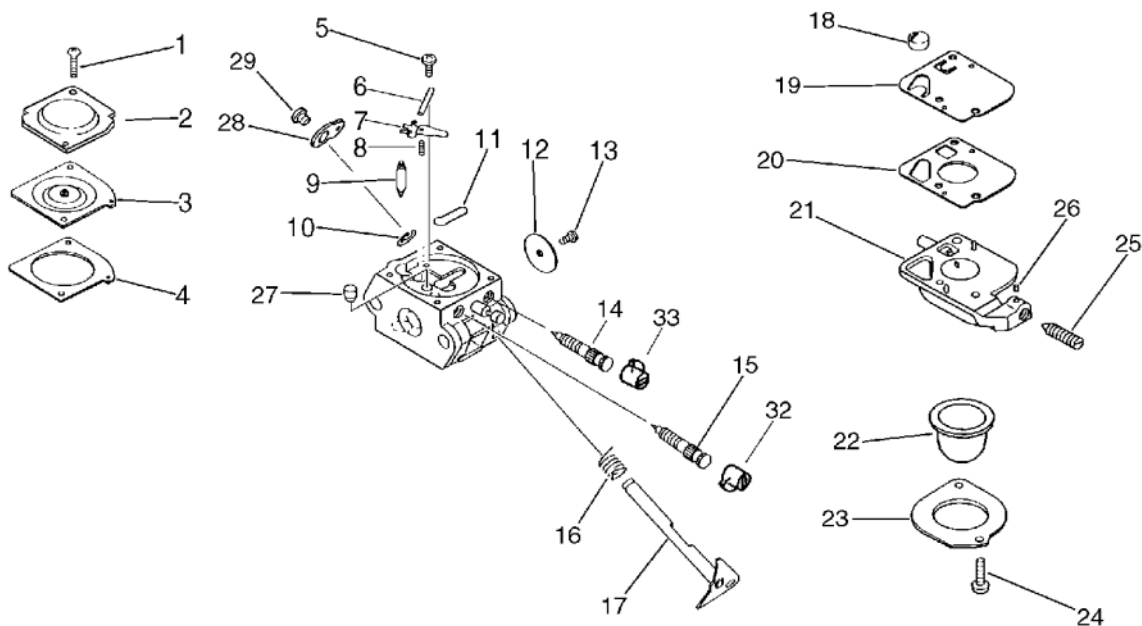
KEY	LV	PART NUMBER	Q'TY	DESCRIPTION	REMARKS	NOTE1	NOTE2
1		X692-000020	1	BAG,DUST		Sus. by X692-000021	
1		X692-000021	1	BAG,DUST	ECHO		
2		210007-20660	1	PIPE,BLOWER			
3	+	900238-05010	1	SCREW 5*10	5*10		
4	+	900500-00005	1	NUT 5	5		
5		210014-20660	1	PIPE, STRAIGHT			
6		215012-20110	1	PIPE,MAIN			
7		895410-00430	1	WRENCH, W/S. DRIVER			
8		210413-05060	1	CLAMP, FLEXIBLE PIPE			
9		210027-06562	1	PIPE, SUCTION	115*880		
10		385155-09660	1	SLEEVE			

7. Carburetor



KEY	LV	PART NUMBER	Q'TY	DESCRIPTION	REMARKS	NOTE1	NOTE2
		125200-09561	1	CARBURETOR	C1U-K44B	Sus. by 125200-09562	
		125200-09562	1	CARBURETOR	C1U-K44B		
1	+	125344-52130	2	SCREW			
2	+	125342-07360	1	COVER, DIAPHRAGM			
3	+	125341-34530	1	DIAPHRAGM			
4	+	125340-20560	1	GASKET, DIAPHRAGM			
5	+	125339-42030	1	SCREW			
6	+	125338-13930	1	PIN, METERING ARM			
7	+	125323-42030	1	LEVER, METERING			
8	+	125322-07260	1	SPRING, COIL			
9	+	125337-06960	1	VALVE, INLET NEEDLE			
10	+	125327-13930	1	CLIP			
11	+	125345-15130	1	PLUG, WELCH			
12	+	125316-53130	1	VALVE, THROTTLE			
13	+	125314-13930	1	SCREW	3*4		
14	+	P005-000450	1	SCREW ASY IDLE MIX.			
15	+	125320-13310	1	NEEDLE, HIGH SPEED			
16	+	125313-08560	1	SPRING, THRT. RETURN			
17	+	125317-06860	1	SHAFT, THROTTLE			
18	+	125326-42030	1	STRAINER			
19	+	125312-12820	1	DIAPHRAGM, FUEL PUMP			
20	+	125325-13310	1	GASKET, PUMP			
21	+	125383-13310	1	BASE, PRIMER		Sus. by P005-000990	
21	+	P005-000990	1	BASE, PRIMER			

7. Carburetor



KEY	LV	PART NUMBER	Q'TY	DESCRIPTION	REMARKS	NOTE1	NOTE2
22	+	125381-08660	1	PUMP, PRIMING			
23	+	125363-11610	1	RING			
24	+	125310-11610	2	SCREW			
25	+	125334-06860	1	SCREW, IDLE ADJUST			
26	+	125378-13930	1	PIECE, FRICTION			
27	+	125376-07360	1	NOZZLE, CHECK VALVE			
28	+	125350-20560	1	LEVER, THROTTLE			
29	+	125348-13930	1	SCREW			
32		125329-08560	1	LIMITER, MIXTURE		Sr/Nr 36001001 and after	
33		125329-09860	1	LIMITER, MIXTURE		Sr/Nr 36001001 and after	

8. Repair Kit

KEY	LV	PART NUMBER	Q'TY	DESCRIPTION	REMARKS	NOTE1	NOTE2
		125303-20560	1	GASKET/DIAPHRAGM KIT			
7-3	+	125341-34530	1	DIAPHRAGM			
7-4	+	125340-20560	1	GASKET, DIAPHRAGM			
7-19	+	125312-42030	1	DIAPHRAGM, FUEL PUMP			
7-20	+	125325-13310	1	GASKET, PUMP			
		125300-20560	1	REBUILD KIT			
7-3	+	125341-34530	1	DIAPHRAGM			
7-4	+	125340-20560	1	GASKET, DIAPHRAGM			
7-6	+	125338-13930	1	PIN, METERING ARM			
7-7	+	125323-42030	1	LEVER, METERING			
7-8	+	125322-07260	1	SPRING, COIL			
7-9	+	125337-06960	1	VALVE, INLET NEEDLE			
7-11	+	125345-15130	1	PLUG, WELCH			
7-18	+	125326-42030	1	STRAINER			
7-19	+	125312-42030	1	DIAPHRAGM, FUEL PUMP			
7-20	+	125325-13310	1	GASKET, PUMP			

Index

Patrs Number	Key No.	Patrs Number	Key No.	Patrs Number	Key No.
100000-09563	1 - 4	125337-06960	8 - 7-9	156611-05060	2 - 16
100011-09560	1 - 5	125338-13930	7 - 6	159011-03432	2 - 14
100013-11520	1 - 6	125338-13930	8 - 7-6	159012-03433	2 - 15
100014-11520	1 - 8	125339-42030	7 - 5	159017-10230	2 - 13
100015-04630	1 - 7	125340-20560	7 - 4	162021-20560	2 - 23
100132-05660	5 - 21	125340-20560	8 - 7-4	163401-20561	5 - 7
100204-52130	1 - 11	125340-20560	8 - 7-4	177200-42033	2 - 3
100204-52131	1 - 11	125341-34530	7 - 3	177215-44430	2 - 5
100204-52132	1 - 11	125341-34530	8 - 7-3	177218-44330	2 - 11
100212-42030	1 - 12	125341-34530	8 - 7-3	177220-42030	2 - 4
100212-42031	1 - 12	125342-07360	7 - 2	177226-10120	2 - 7
100215-03930	1 - 13	125344-52130	7 - 1	177227-42030	2 - 8
100242-42030	1 - 15	125345-15130	7 - 11	177228-06530	2 - 9
101010-44332	1 - 3	125345-15130	8 - 7-11	177234-12220	2 - 12
101011-08961	1 - 1	125348-13930	7 - 29	177234-42030	2 - 12
101514-20560	3 - 1	125350-20560	7 - 28	177236-44330	2 - 6
101538-28230	5 - 40	125363-11610	7 - 23	178010-20560	5 - 3
101538-28230	5 - 40	125376-07360	7 - 27	178011-20560	5 - 26
104012-20560	5 - 2	125378-13930	7 - 26	178011-20561	5 - 26
104012-20561	5 - 2	125381-08660	7 - 22	178054-20560	5 - 8
125200-09561	3 - 7	125383-13310	7 - 21	200010-06363	5 - 22
125200-09561	7 -	129011-52730	3 - 11	200011-05661	2 - 18
125200-09562	3 - 7	130010-09561	3 - 2	200108-20662	5 - 24
125200-09562	7 -	130010-20560	3 - 6	200109-20662	5 - 18
125300-20560	8 -	130017-05062	3 - 4	200109-20663	5 - 18
125303-20560	8 -	130310-54130	3 - 12	200111-20664	5 - 18
125310-11610	7 - 24	130313-06563	3 - 13	200124-20661	5 - 12
125312-12820	7 - 19	130406-20660	5 - 13	200150-05060	5 - 16
125312-42030	8 - 7-19	131004-55530	4 - 13	200152-05060	5 - 17
125312-42030	8 - 7-19	131005-20560	4 - 12	210007-20660	6 - 2
125313-08560	7 - 16	131005-20561	4 - 12	210014-20660	6 - 5
125314-13930	7 - 13	131016-55830	4 - 14	210027-06562	6 - 9
125316-53130	7 - 12	131051-56030	4 - 15	210413-05060	6 - 8
125317-06860	7 - 17	131205-07320	4 - 7	210417-52730	3 - 14
125320-13310	7 - 15	131300-56430	4 - 1	215012-20110	6 - 6
125322-07260	7 - 8	131312-39130	4 - 3	220120-20561	5 - 19
125322-07260	8 - 7-8	131328-40630	4 - 2	220120-20661	5 - 25
125323-42030	7 - 7	132010-56330	4 - 9	351000-05060	5 - 27
125323-42030	8 - 7-7	132011-03360	4 - 5	351010-05060	5 - 32
125325-13310	7 - 20	132012-12360	4 - 6	351011-05060	5 - 28
125325-13310	8 - 7-20	132115-46730	4 - 4	351028-05060	5 - 30
125325-13310	8 - 7-20	145803-09660	3 - 16	351213-54330	5 - 34
125326-42030	7 - 18	145820-52130	3 - 24	351335-20560	5 - 33
125326-42030	8 - 7-18	145862-40630	3 - 25	385155-09660	6 - 10
125327-13930	7 - 10	145862-52130	3 - 18	437210-11131	4 - 8
125329-08560	7 - 32	145866-42031	3 - 19	890118-49130	2 - 1
125329-09860	7 - 33	145871-05760	3 - 27	890121-05360	3 - 15
125334-06860	7 - 25	145876-05061	3 - 21	890160-06361	5 - 36
125337-06960	7 - 9	145876-42030	3 - 20	890160-09461	5 - 35

Index

Patrs Number	Key No.	Patrs Number	Key No.	Patrs Number	Key No.
890560-90660	3 - 8	P021-008840	3 - 16		
895410-00430	6 - 7	V104-000160	3 - 17		
900105-05055	3 - 26	V137-000030	4 - 4		
900162-04022	2 - 17	V203-000060	5 - 13		
900162-04022	5 - 23	V485-000040	2 - 22		
900162-05022	1 - 2	V553-000010	1 - 10		
900162-05028	1 - 16	X503-002500	5 - 11		
900163-04016	2 - 2	X505-001010	5 - 38		
900238-04010	3 - 22	X692-000020	6 - 1		
900238-05010	6 - 3	X692-000021	6 - 1		
900238-05016	4 - 10				
900238-05022	3 - 5				
900238-05022	5 - 13				
900238-05025	5 - 9				
900242-04010	3 - 23				
900242-05065	3 - 10				
900253-05014	5 - 14				
900253-05016	5 - 29				
900253-05020	5 - 1				
900253-05020	5 - 1				
900253-05020	5 - 10				
900256-05010	5 - 37				
900500-00005	3 - 3				
900500-00005	6 - 4				
900500-00008	5 - 20				
900502-00005	5 - 4				
900516-00005	5 - 5				
900595-00008	2 - 33				
900603-00005	3 - 28				
900603-00005	4 - 11				
900603-00005	5 - 6				
900603-00005	5 - 15				
91358-05025	5 - 9				
94035-36201	1 - 14				
A011-000160	1 - 9				
A052-000050	2 - 10				
A052-000060	2 - 10				
A052-000061	2 - 10				
A356-000030	4 - 1				
A409-000100	2 - 21				
A411-000020	2 - 20				
P005-000450	7 - 14				
P005-000990	7 - 21				
P021-001181	2 - 19				
P021-002921	3 - 9				
P021-003700	5 - 24				
P021-003701	5 - 24				
P021-003702	5 - 24				
P021-003703	5 - 24				

YAMABIKO CORPORATION

7-2 SUEHIROCHO 1-CHOME, OHME, TOKYO 198-8760, JAPAN
PHONE: 81-428-32-6118. FAX: 81-428-32-6145.

