



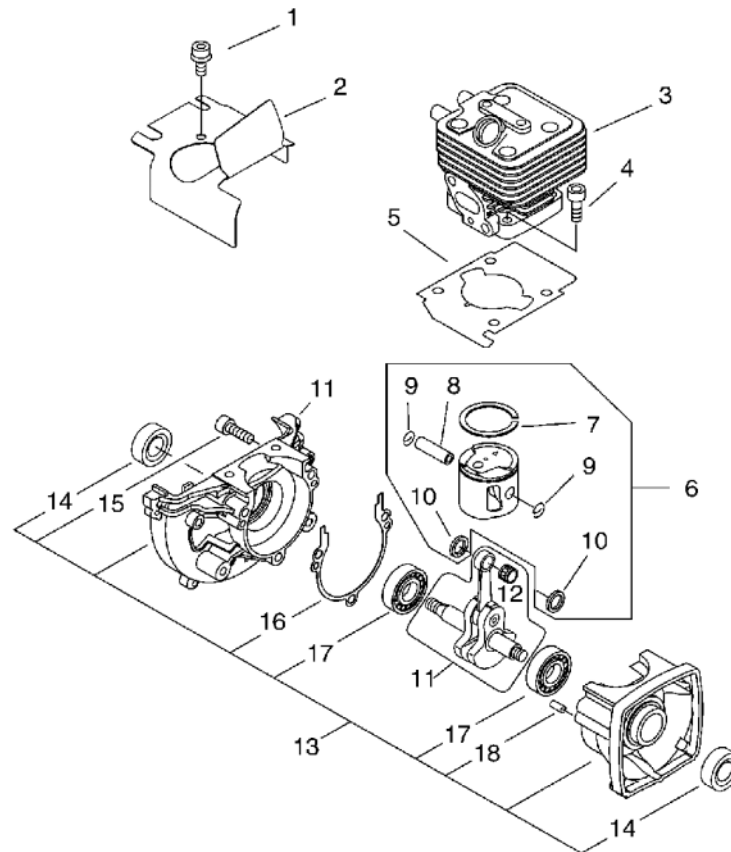
PARTS CATALOGUE

HANDHELD BLOWER

PB-251(37)

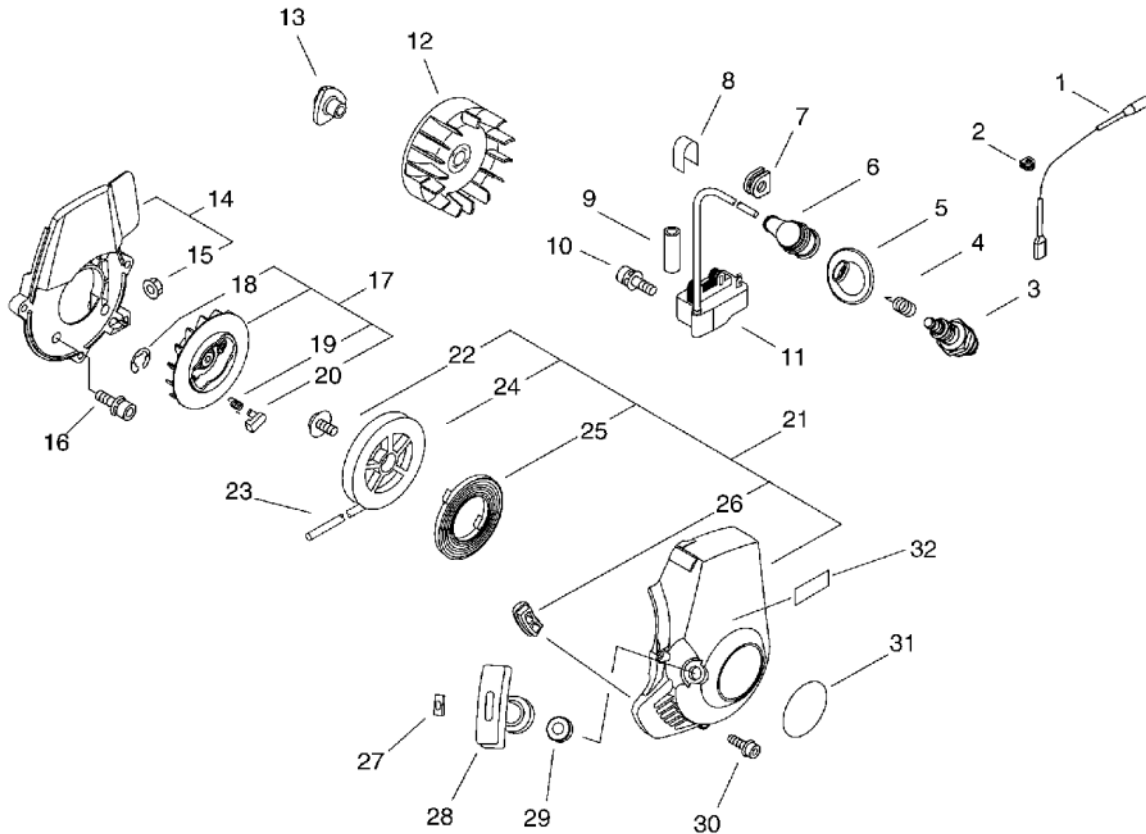
- 37005851

1. Cylinder, Crankcase, Piston



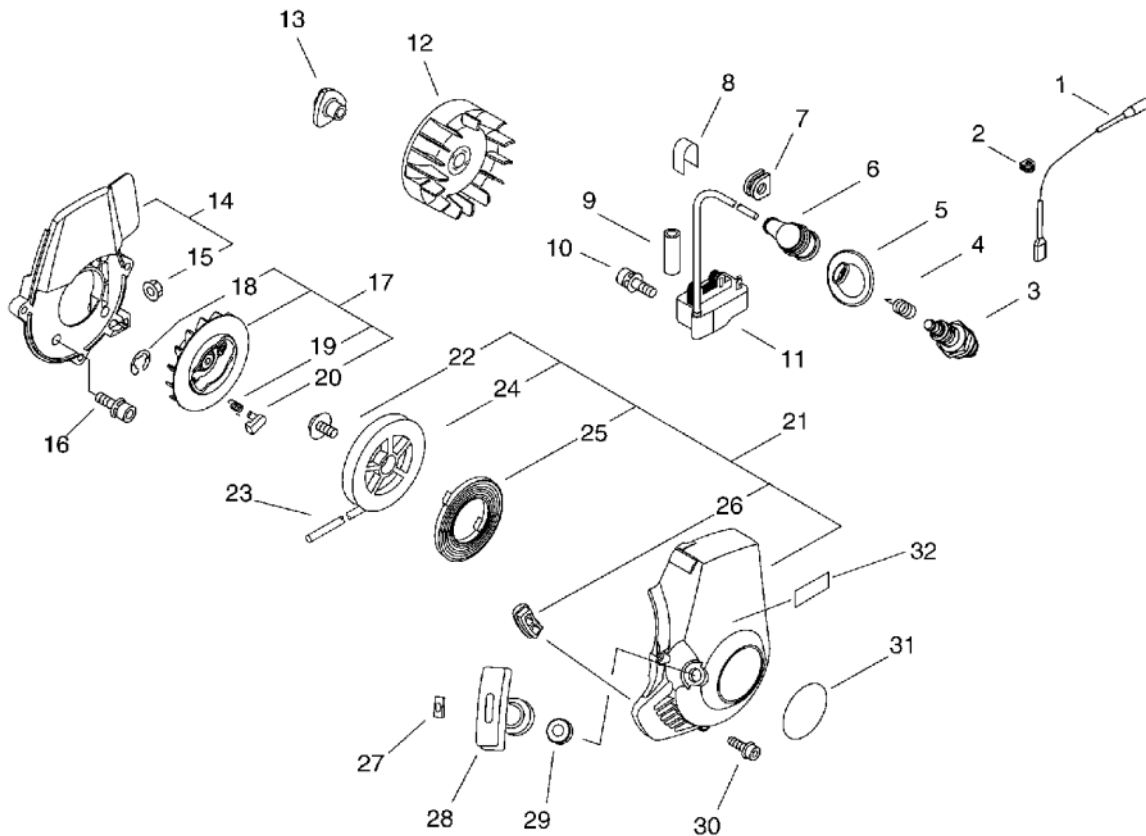
KEY	LV	PART NUMBER	Q'TY	DESCRIPTION	REMARKS	NOTE1	NOTE2
1		900106-05008	2	BOLT, H.S. 5* 8	5*8		
2		A160-000821	1	COVER,CYLINDER			
3		A130-000780	1	CYLINDER			
4		900162-05025	4	BOLT, H.S. 5*25	5*25 W,SW		
5		V100-000190	1	GASKET,CYL			
6		P021-010260	1	PISTON KIT			
7	+	A101-000140	1	RING, PISTON	B1.2 T1.5		
8	+	V606-000000	1	PIN,ENG 8	5*8*28		
9	+	100015-04630	2	CIRCLIP, PISTON PIN			
10	+	100014-11520	2	SPACER, PISTON PIN			
11		A011-000371	1	CRANKSHAFT,ASM			
12	+	V553-000010	1	BEARING,NEEDLE 8	HK0810	Sus. by V553-000060	
13		P021-008231	1	CRANKCASE KIT			
14	+	100212-42031	2	OILSEAL	ISCD 12*22*4.5		
15	+	900162-05028	3	BOLT, H.S. 5*28	5*28 W,SW		
16	+	100242-42030	1	GASKET, CRANKCASE			
17	+	94035-36201	2	BEARING BALL	6201X3JR2C3		
18	+	100215-03930	2	PIN, DOWEL			

2. Starter, Magneto



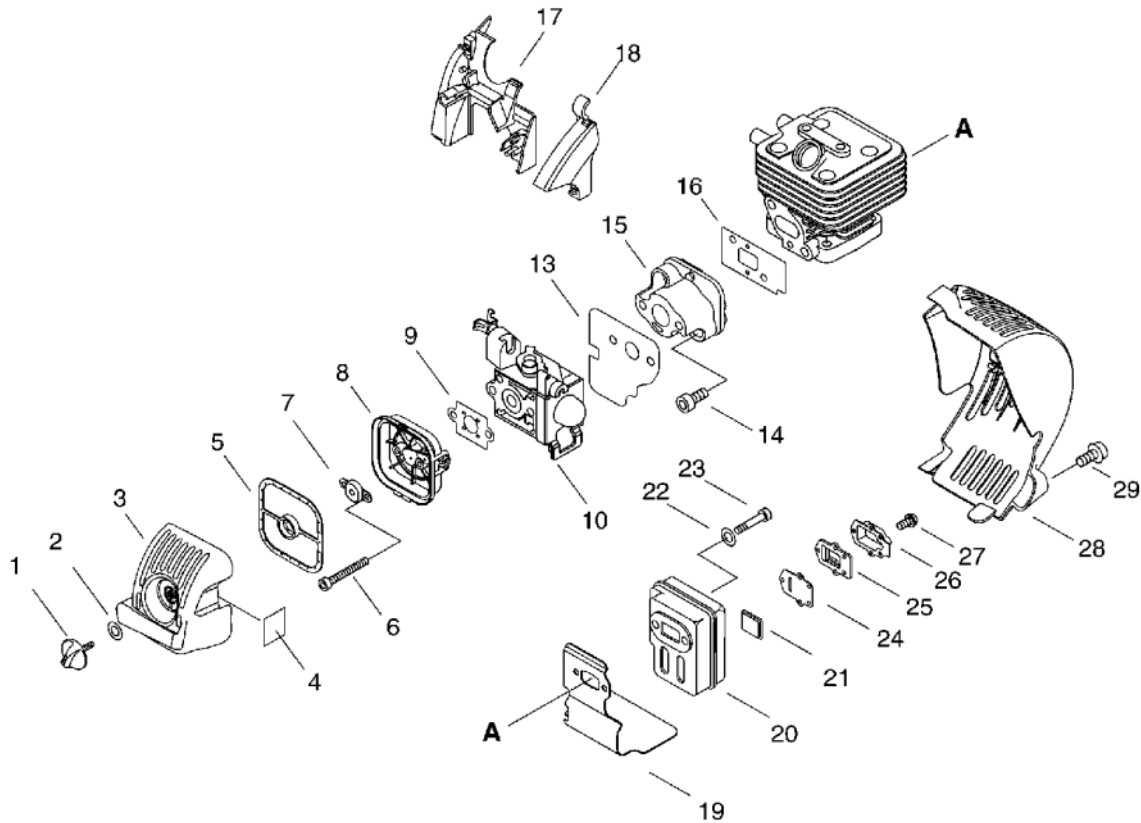
KEY	LV	PART NUMBER	Q'TY	DESCRIPTION	REMARKS	NOTE1	NOTE2
1		V485-000820	1	LEAD	CW104-#187		
2		152115-05530	1	BUSHING			
3		A425-000000	1	SPARKPLUG	BPMR8Y		
4		A426-000010	1	TERMINAL,SPARKPLUG			
5		A429-000010	1	COVER,CAP			
6		A427-000012	1	CAP,SPARK PLUG		Sus. by A427-000013	
7		156110-04920	1	BUSHING			
8		X532-000720	1	LABEL,OPERATION	SPARKPLUG BPMR8Y		
9		V475-003380	1	TUBE			
10		91113-04020	2	BOLT	CM-4*20 SW,W		
11		A411-000290	1	COIL, IGNITION	EMG-60 ID#C10146		
12		A409-000210	1	ROTOR,MAGNETO			
13		E101-000071	1	HUB,FAN	M8*1.25		
14		P021-013780	1	SPACER			
15	+	V263-000070	1	NUT,5			
16	+	900163-04016	4	BOLT HSH			
17		A052-000200	1	PULLEY,ASM STARTER			
18	+	P022-002100	2	E-RING	4		
19	+	177234-12220	2	SPRING, PAWL			
20	+	P022-006850	2	PAWL, STARTER			
21		A051-001060	1	STARTER.RECOIL ASY			
22	+	177236-44330	1	SCREW			
23	+	P022-008260	1	ROPE	3M/M		

2. Starter, Magneto



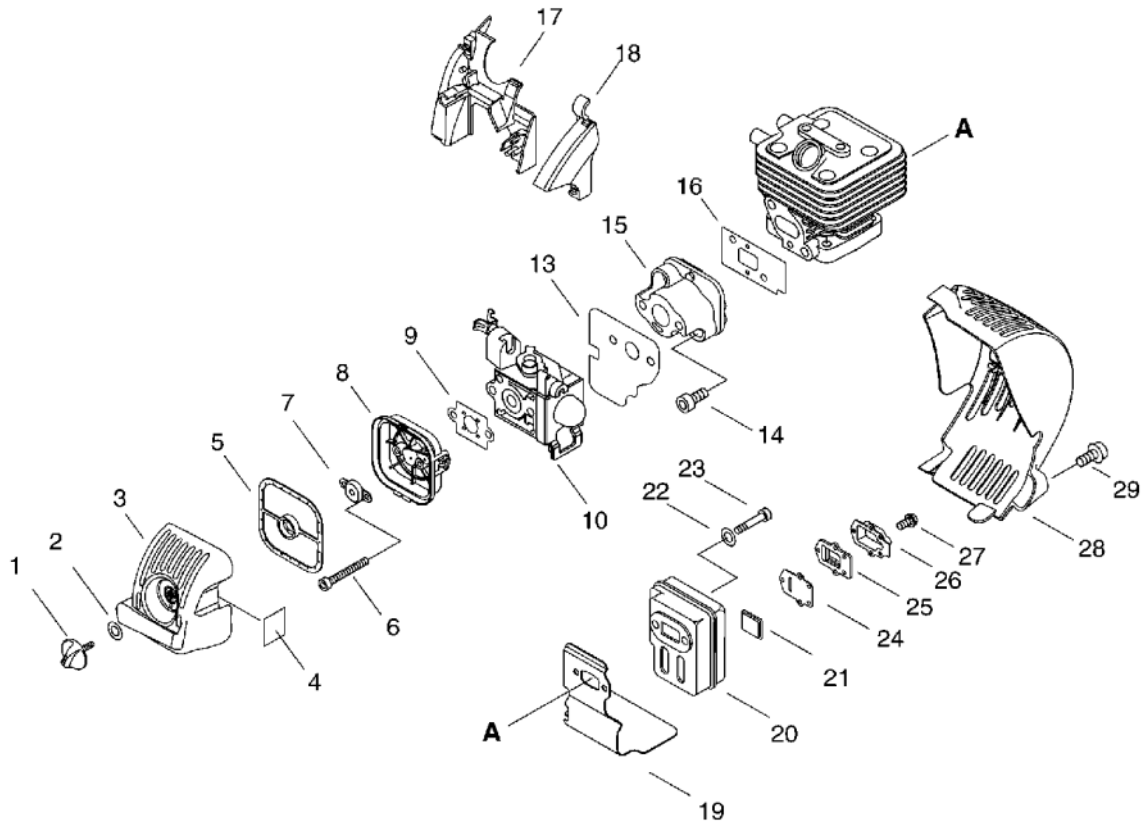
KEY	LV	PART NUMBER	Q'TY	DESCRIPTION	REMARKS	NOTE1	NOTE2
24	+	177215-44430	1	DRUM, STARTER			
25	+	177220-42030	1	SPRING, REWIND			
26	+	V420-001440	1	CUSHION			
27	+	177246-11120	1	CLIP, STARTER ROPE			
28	+	177228-27030	1	GRIP, STARTER			
29	+	177227-42030	1	GUIDE, ROPE			
30		900106-05014	3	BOLT, H.S. 5*14	5*14		
31		X502-000330	1	LABEL,ECHO	ECHO		
32		X503-008160	1	LABEL,MODEL	PB-251		

3. Air Cleaner, Carbuertor, Muffler(Sr/Nr 37004650 and before)



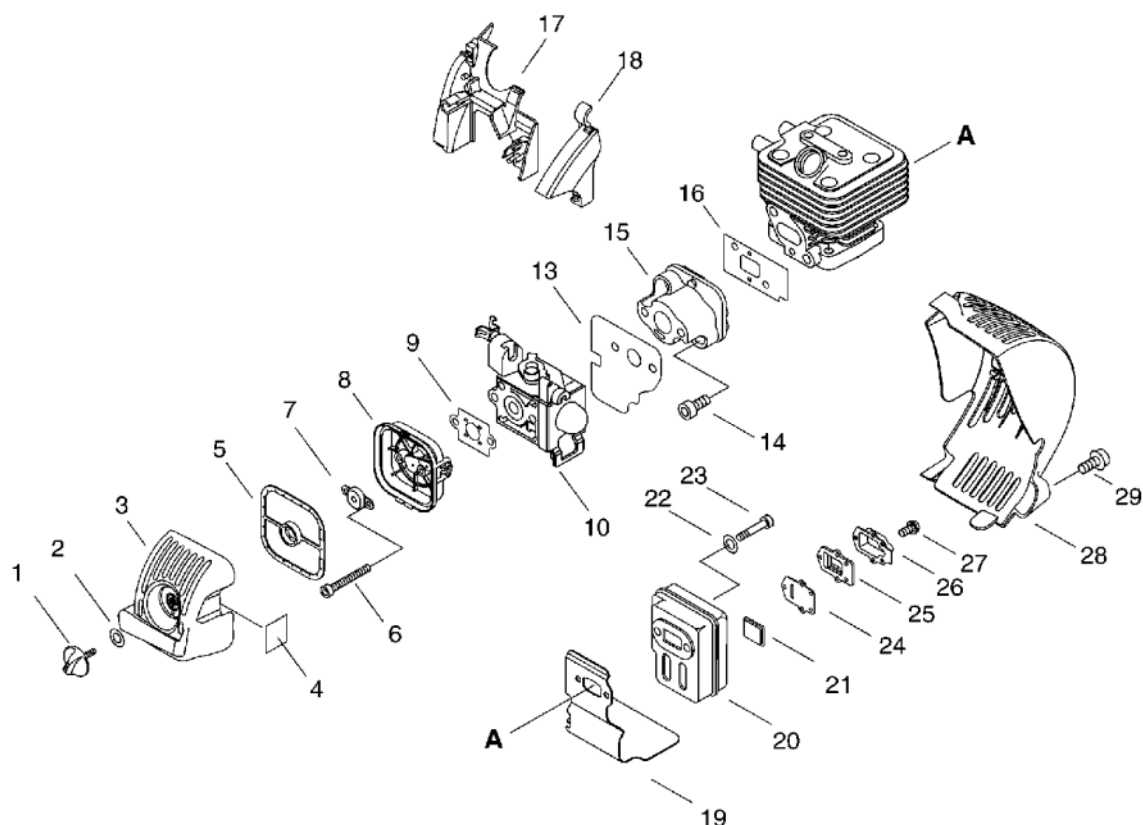
KEY	LV	PART NUMBER	Q'TY	DESCRIPTION	REMARKS	NOTE1	NOTE2
1		V299-000250	1	KNOB,FASTENER			
2		131911-03460	1	WASHER			
3		A232-000340	1	LID,CLEANER	ID#1220		
4		X506-000090	1	LABEL,CHOKE			
5		A226-000350	1	ELEMENT, AIR FILTER			
6		900105-05060	2	BOLT, H.S. 5*60	5*60		
7		A244-000070	1	PLATE,PREVENT			
8		P021-010980	1	CLEANER CASE ASY			
9		130016-42031	1	GASKET, INTAKE			
10		A021-001350	1	CARBURETOR,DIAPHRAGM	RB-X1567B	Sr/Nr 37004650 and before	
11		C480-000070	1	GUIDE, CABLE		Sr/Nr 37004650 and before	
12		V264-000050	1	NUT,6	M6*0.75*H2.5	Sr/Nr 37004650 and before	
13		V103-000400	1	GASKET,INTAKE			
14		900162-05025	2	BOLT, H.S. 5*25	5*25 W,SW		
15		A200-000280	1	INSULATOR, INTAKE			
16		V103-000390	1	GASKET,INTAKE			
17		A160-000830	1	COVER,CYLINDER			
18		C459-000010	1	COVER,THROTTLE			
19		V104-000820	1	GASKET,EXHAUST	NP7002		
20		A300-000141	1	MUFFLER,EXHAUST			
21		A310-000070	1	SCREEN, ARRESTOR	22*28*3		
22		900603-00005	2	WASHER 5	5.5*12*0.8		
23		V203-000190	2	BOLT,5	AN A2-70		

3. Air Cleaner, Carbuertor, Muffler(Sr/Nr 37004650 and before)



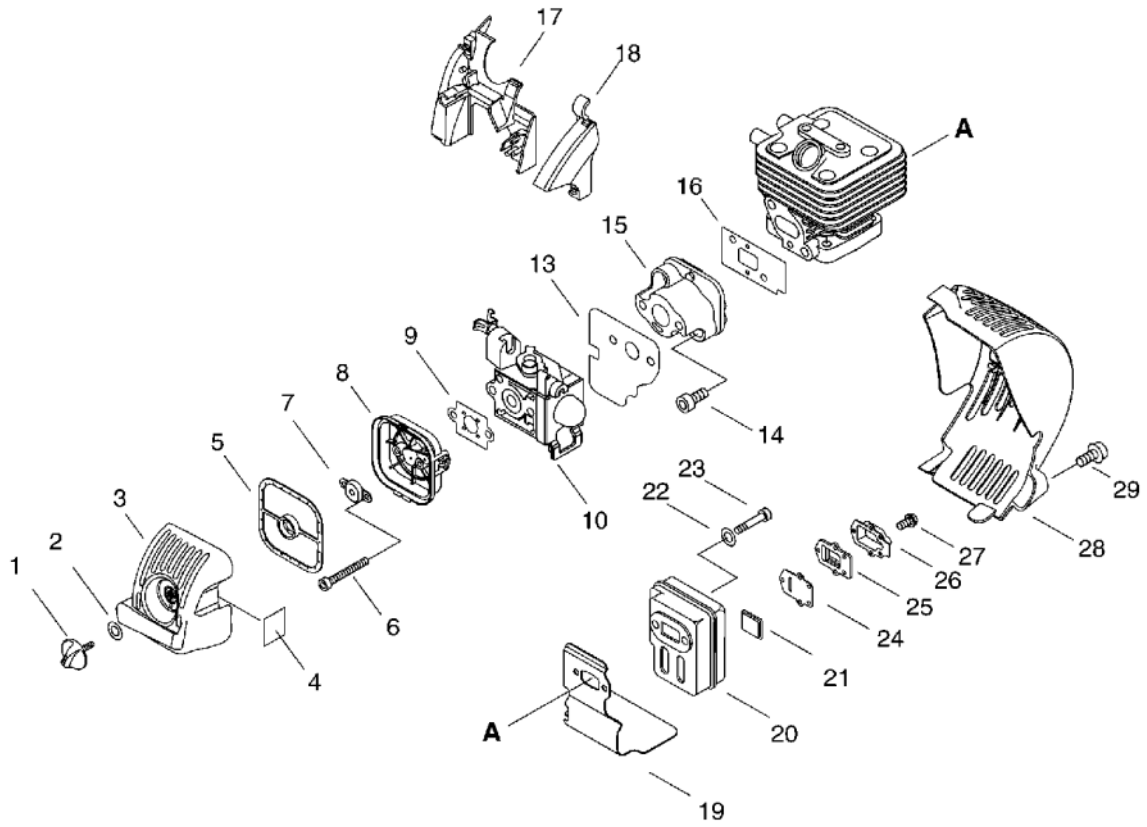
KEY	LV	PART NUMBER	Q'TY	DESCRIPTION	REMARKS	NOTE1	NOTE2
24		V104-000830	1	GASKET,EXHAUST			
25		A313-000840	1	GUIDE, EXHAUST	20.5*3		
26		A313-000850	1	GUIDE, EXHAUST	ID#1190		
27		91367-04010	5	SCREW	4*10/SW(SUS)		
28		P021-011200	1	COVER,MUFFLER KIT			
29		900106-05014	2	BOLT, H.S. 5*14	5*14		

4. Air Cleaner, Carbuertor, Muffler(Sr/Nr 37004651 and after)



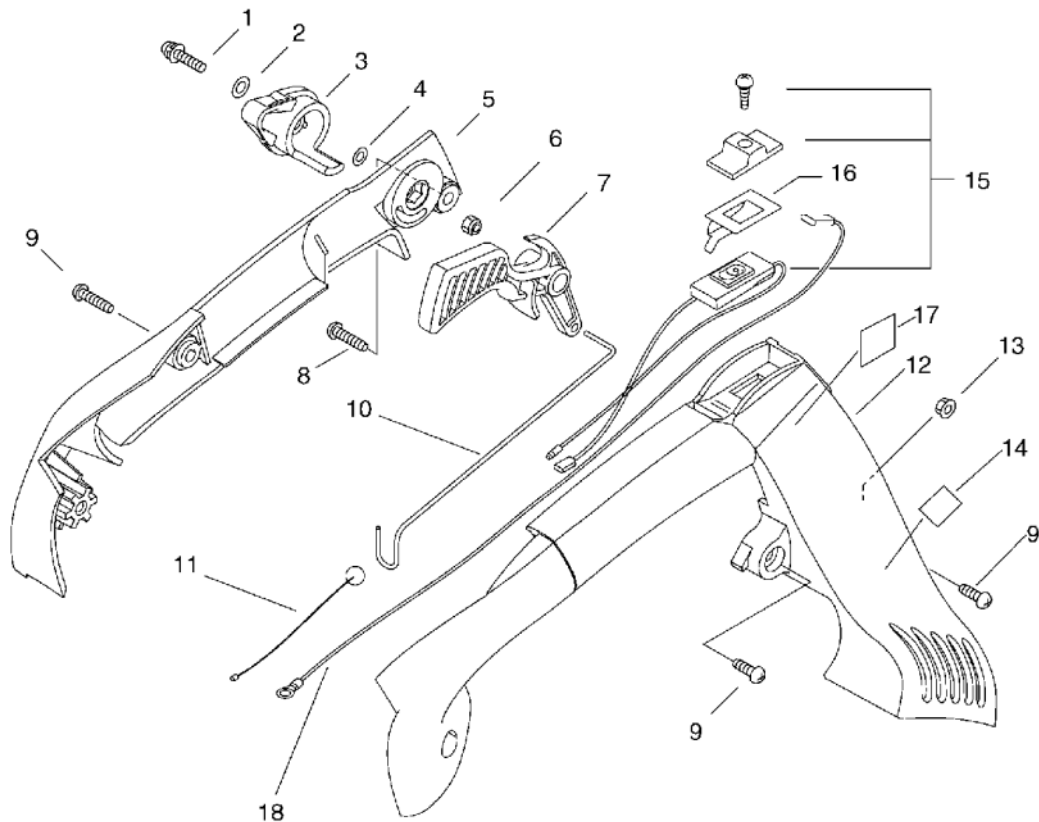
KEY	LV	PART NUMBER	Q'TY	DESCRIPTION	REMARKS	NOTE1	NOTE2
1		V299-000250	1	KNOB,FASTENER			
2		131911-03460	1	WASHER			
3		A232-000340	1	LID,CLEANER	ID#1220		
4		X506-000090	1	LABEL,CHOKE			
5		A226-000350	1	ELEMENT, AIR FILTER			
6		900105-05060	2	BOLT, H.S. 5*60	5*60		
7		A244-000070	1	PLATE,PREVENT			
8		P021-010980	1	CLEANER CASE ASY			
9		130016-42031	1	GASKET, INTAKE			
10		A021-001590	1	CARBURETOR,DIAPHRAGM		Sr/Nr 37004651 and after	
13		V103-000400	1	GASKET,INTAKE			
14		900162-05025	2	BOLT, H.S. 5*25	5*25 W,SW		
15		A200-000280	1	INSULATOR, INTAKE			
16		V103-000390	1	GASKET,INTAKE			
17		A160-000830	1	COVER,CYLINDER			
18		C459-000010	1	COVER,THROTTLE			
19		V104-000820	1	GASKET,EXHAUST	NP7002		
20		A300-000141	1	MUFFLER,EXHAUST			
21		A310-000070	1	SCREEN, ARRESTOR	22*28*3		
22		900603-00005	2	WASHER 5	5.5*12*0.8		
23		V203-000190	2	BOLT,5	AN A2-70		
24		V104-000830	1	GASKET,EXHAUST			
25		A313-000840	1	GUIDE, EXHAUST	20.5*3		
26		A313-000850	1	GUIDE, EXHAUST	ID#1190		
27		91367-04010	5	SCREW	4*10/SW(SUS)		

4. Air Cleaner, Carbuertor, Muffler(Sr/Nr 37004651 and after)



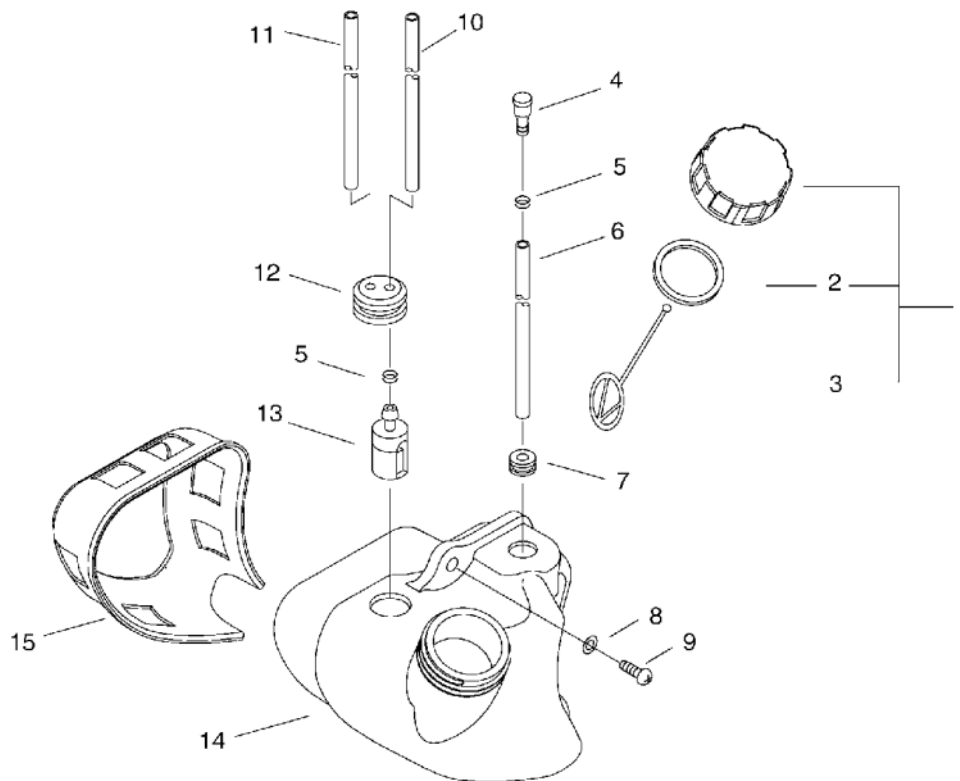
KEY	LV	PART NUMBER	Q'TY	DESCRIPTION	REMARKS	NOTE1	NOTE2
28		P021-011200	1	COVER,MUFFLER KIT			
29		900106-05014	2	BOLT, H.S. 5*14	5*14		

5. Handle



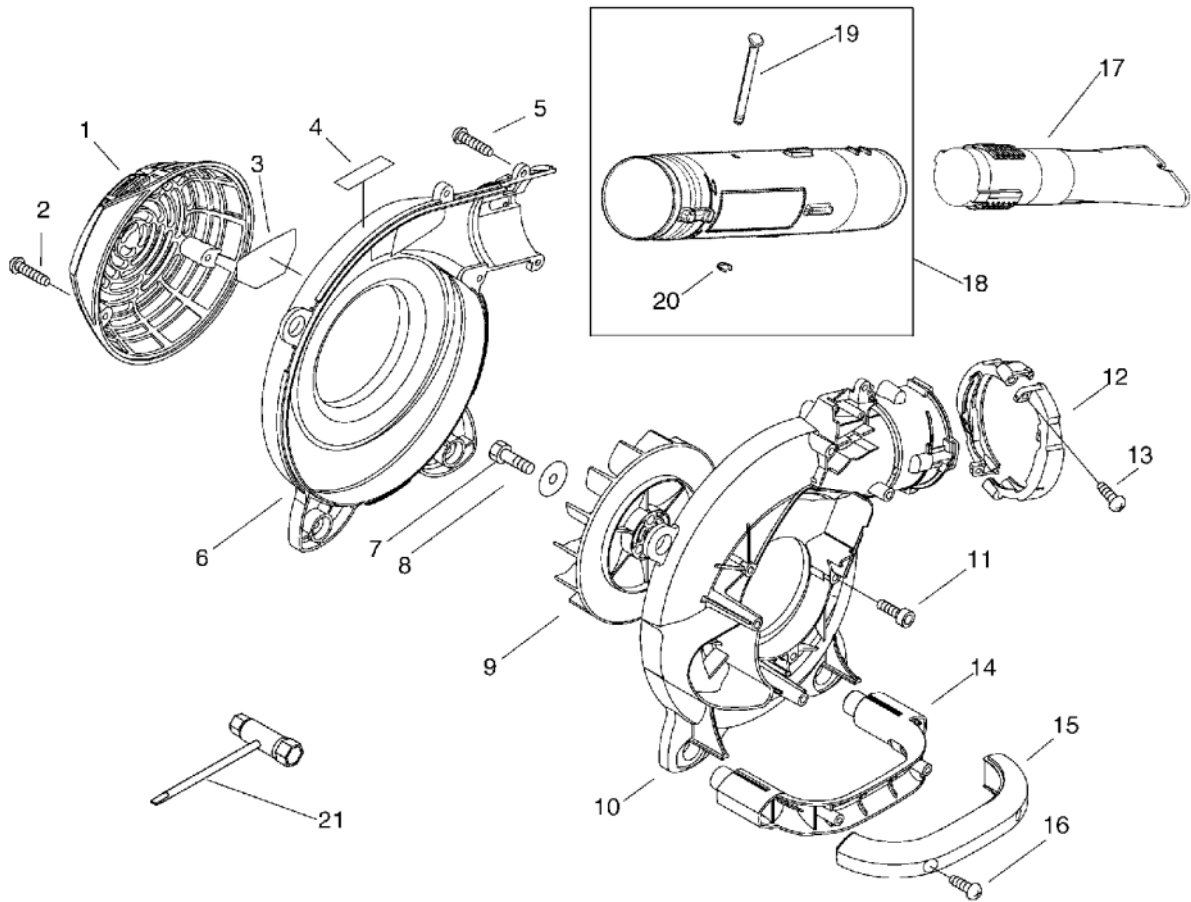
KEY	LV	PART NUMBER	Q'TY	DESCRIPTION	REMARKS	NOTE1	NOTE2
1		900238-05025	1	SCREW 5*25	5*25		
2		900602-00005	1	WASHER 5	5.3*10*1		
3		C453-000260	1	LEVER, THROTTLE			
4		900603-00005	1	WASHER 5	5.5*12*0.8		
5		C411-000010	1	LID,HANDLE	PB-251		
6		900562-50005	1	LOCKNUT 5	5		
7		C450-000241	1	CONTROL, THROTTLE			
8		900253-05025	1	SCREW 5*25	5*25		
9		900253-05020	3	SCREW 5*20	5*20		
10		C454-000130	1	ROD, THROTTLE			
11		V431-000000	1	CABLE,INNER			
12		C400-000471	1	HANDLE, FRONT			
13		V263-000070	1	NUT,5			
14		890160-06361	1	LABEL, CAUTION		Sus. by X505-002310	
14		X505-002310	1	LABEL,CAUTION	HOT CAUTION		
15		A440-000770	1	SWITCH, ON OFF	CA104/187 L140		
16		V486-000070	1	TERMINAL,LEAD	C2801P-1/4H		
17		890157-06560	1	LABEL, SWITCH			
18		V485-000830	1	LEAD	187 / LA105 L250		

6. Fan case



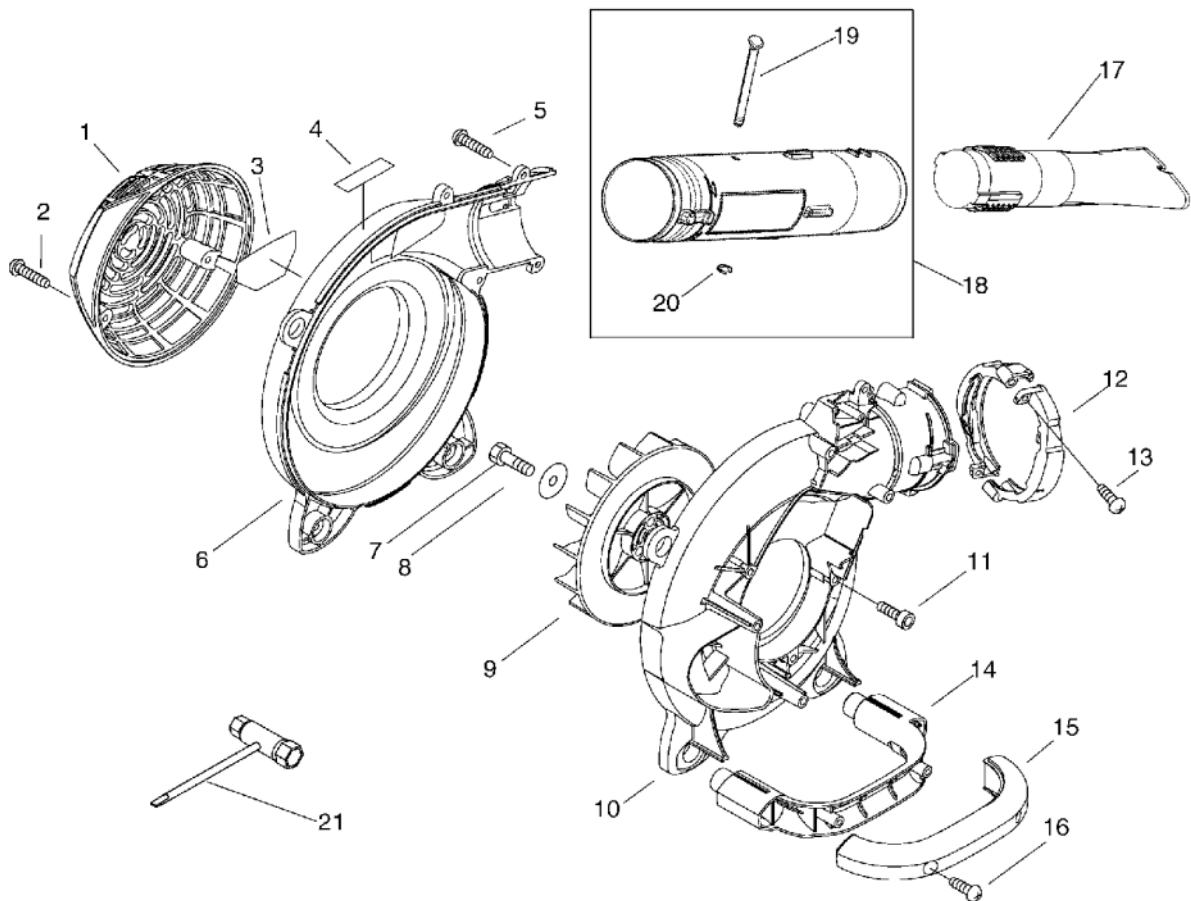
KEY	LV	PART NUMBER	Q'TY	DESCRIPTION	REMARKS	NOTE1	NOTE2
1		131004-55530	1	CAP ASSY, FUEL TANK			
2	+	131016-55830	1	GASKET, FUEL CAP			
3	+	131051-56030	1	CLIP, FUEL CAP	100L		
4		A356-000030	1	VALVE,CHECK			
5		132013-09820	2	CLIP	6MM		
6		V471-001220	1	PIPE	3*5*50 NBR		
7		132115-01461	1	GROMMET			
8		900603-00005	2	WASHER 5	5.5*12*0.8		
9		900253-05020	2	SCREW 5*20	5*20		
10		V471-001860	1	PIPE	3*5*175		
11		132010-49730	1	PIPE 3*6*85	3*6*85	YL	
12		132115-44330	1	GROMMET			
13		131205-07320	1	STRAINER, FUEL			
14		A350-000550	1	TANK, FUEL			
15		V420-001430	1	CUSHION			

7. Fan Case, Blower Pipe(Sr/Nr 37005851 and before)



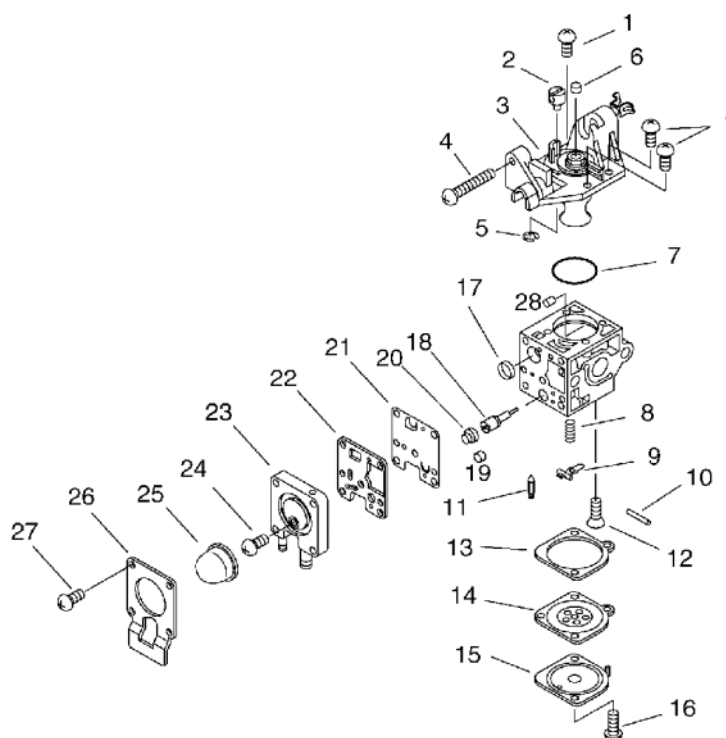
KEY	LV	PART NUMBER	Q'TY	DESCRIPTION	REMARKS	NOTE1	NOTE2
1		E104-000080	1	GRID, BLOWER			
2		900253-05020	3	SCREW 5*20	5*20		
3		X547-000520	1	LABEL,ECHO	PB-251		
4		X505-002080	1	LABEL,CAUTION			
5		900253-05020	8	SCREW 5*20	5*20		
6		E103-000461	1	CASE,FAN			
7		900100-08014	1	BOLT 8*14	8*14		
8		100143-19830	1	WASHER	8.2*31*0.8		
9		E100-000070	1	FAN,BLOWER			
10		E103-000451	1	CASE,FAN			
11		900162-04020	4	BOLT, H.S. 4*20	4*20 W,SW		
12		E162-000000	2	FIXTURE, BLOW PIPE			
13		900253-05020	2	SCREW 5*20	5*20		
14		C410-000390	1	HANDLE, REAR		Sus. by C410-000391	
15		C410-000400	1	HANDLE, REAR			
16		900253-05020	2	SCREW 5*20	5*20		
17		E165-000190	1	PIPE,BLOWER		Sr/Nr 37005851 and befor Sus. by E165-000191	
18		E165-000210	1	PIPE,BLOWER			
19	+	E178-000050	1	GUARD,PIPE			
20	+	V583-000080	1	RING	CE-5		
21		895410-06960	1	WRENCH, W/S-DRIVER			

8. Fan Case, Blower Pipe(Sr/Nr 37005852 and after)



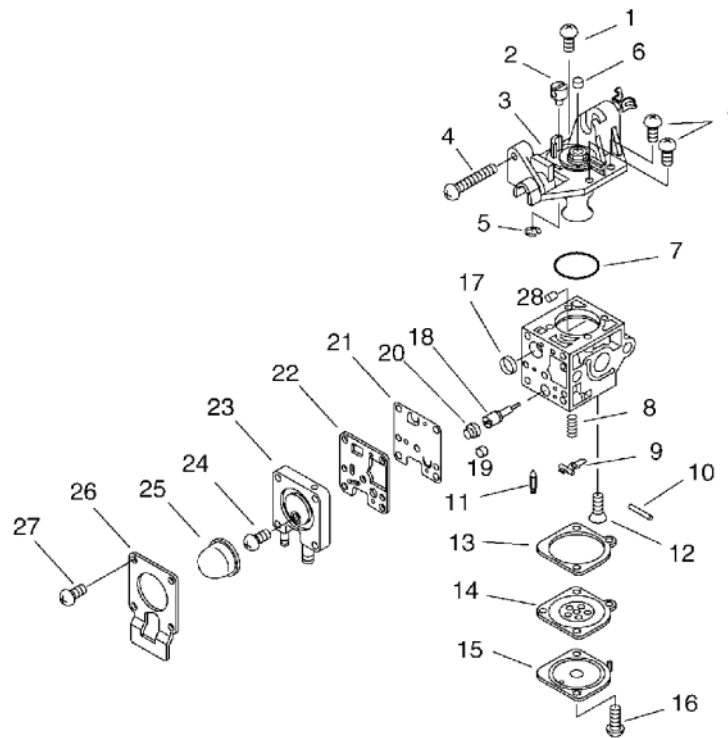
KEY	LV	PART NUMBER	Q'TY	DESCRIPTION	REMARKS	NOTE1	NOTE2
1		E104-000080	1	GRID, BLOWER			
2		900253-05020	3	SCREW 5*20	5*20		
3		X547-000520	1	LABEL,ECHO	PB-251		
4		X505-002080	1	LABEL,CAUTION			
5		900253-05020	8	SCREW 5*20	5*20		
6		E103-000461	1	CASE,FAN			
7		900100-08014	1	BOLT 8*14	8*14		
8		100143-19830	1	WASHER	8.2*31*0.8		
9		E100-000070	1	FAN,BLOWER			
10		E103-000451	1	CASE,FAN			
11		900162-04020	4	BOLT, H.S. 4*20	4*20 W,SW		
12		E162-000000	2	FIXTURE, BLOW PIPE			
13		900253-05020	2	SCREW 5*20	5*20		
14		C410-000391	1	HANDLE, REAR			
15		C410-000400	1	HANDLE, REAR			
16		900253-05020	2	SCREW 5*20	5*20		
17		E165-000191	1	PIPE,BLOWER		Sr/Nr 37005852 and after	
18		E165-000210	1	PIPE,BLOWER			
19	+	E178-000050	1	GUARD,PIPE			
20	+	V583-000080	1	RING	CE-5		
21		895410-06960	1	WRENCH, W/S-DRIVER			

9. Carburetor(Sr/Nr 37004650 and before)



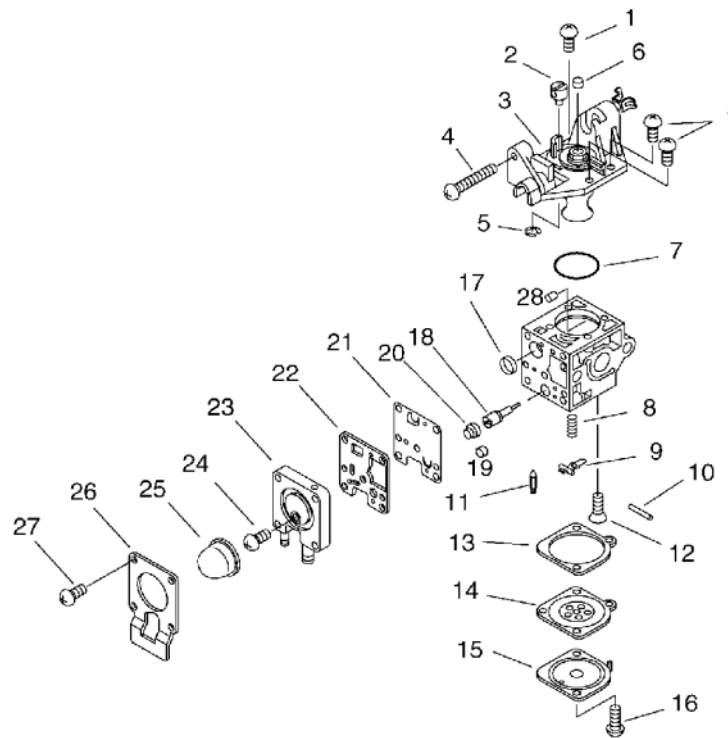
KEY	LV	PART NUMBER	Q'TY	DESCRIPTION	REMARKS	NOTE1	NOTE2
		A021-001350	1	CARBURETOR,DIAPHRAGM	RB-X1567B	Sr/Nr 37004650 and before	
1	+	125344-13931	3	SCREW			
2	+	P005-001240	1	POST			
3	+	P005-002000	1	COVER ASY, ROTOR			
4	+	P005-000100	1	SCREW,THROTTLEADJUST			
5	+	P005-000190	1	E-RING			
6	+	P005-001270	1	PLUG, H AJUST SCREW			
7	+	P005-000280	1	O-RING			
8	+	P005-000940	1	SPRING, METER. LEVER			
9	+	125323-08260	1	ARM, VALVE			
10	+	125338-13930	1	PIN, METERING ARM			
11	+	125337-08260	1	VALVE, INLET NEEDLE			
12	+	125339-42030	1	SCREW			
13	+	P005-000200	1	GASKET, METERING			
14	+	P005-001780	1	DIAPHRAGM			
15	+	125342-52130	1	COVER, DIAPHRAGM			
16	+	125344-52130	1	SCREW			
17	+	P005-000010	1	STRAINER			
18	+	P005-001260	1	SCREW,MAINN MIXTURE			
19	+	P005-001270	1	PLUG, H AJUST SCREW			
20	+	P005-001250	1	RETAINER,PLUG BALL			
21	+	P005-000510	1	DIAPHRAGM, PUMP			
22	+	P005-000520	1	GASKET, PUMP			
23	+	P005-001890	1	BASE, ASY PRIMER			
24	+	P005-000270	1	SCREW			

9. Carburetor(Sr/Nr 37004650 and before)



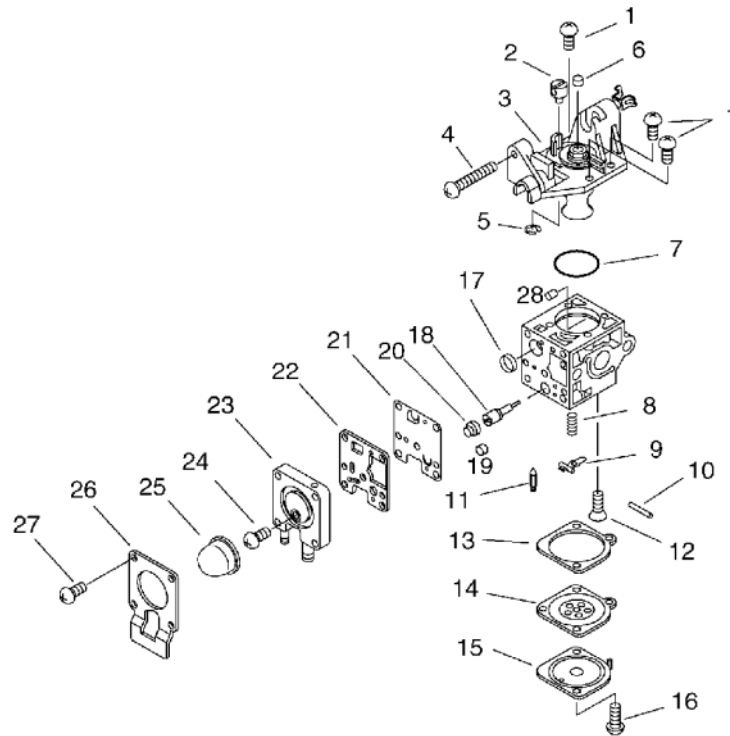
KEY	LV	PART NUMBER	Q'TY	DESCRIPTION	REMARKS	NOTE1	NOTE2
25	+	125381-08660	1	PUMP, PRIMING			
26	+	P005-000250	1	RETAINER			
27	+	P005-001900	4	SCREW			
28	+	P005-001000	1	ROLLER, GUIDE			

10. Carburetor(Sr/Nr 37004651 and after)



KEY	LV	PART NUMBER	Q'TY	DESCRIPTION	REMARKS	NOTE1	NOTE2
		A021-001590	1	CARBURETOR,DIAPHRAGM		Sr/Nr 37004651 and after	
1	+	125344-13931	3	SCREW			
2	+	P005-001240	1	POST			
3	+	P005-002000	1	COVER ASY, ROTOR			
4	+	P005-000100	1	SCREW,THROTTLEADJUST			
5	+	P005-000190	1	E-RING			
6	+	P005-001270	1	PLUG, H AJUST SCREW			
7	+	P005-000280	1	O-RING			
8	+	P005-000940	1	SPRING, METER. LEVER			
9	+	125323-08260	1	ARM, VALVE			
10	+	125338-13930	1	PIN, METERING ARM			
11	+	125337-08260	1	VALVE, INLET NEEDLE			
12	+	125339-42030	1	SCREW			
13	+	P005-000200	1	GASKET, METERING			
14	+	P005-001780	1	DIAPHRAGM			
15	+	125342-52130	1	COVER, DIAPHRAGM			
16	+	125344-52130	1	SCREW			
17	+	P005-000010	1	STRAINER			
18	+	P005-001260	1	SCREW,MAINN MIXTURE			
19	+	P005-001270	1	PLUG, H AJUST SCREW			
20	+	P005-001250	1	RETAINER,PLUG BALL			
21	+	P005-000510	1	DIAPHRAGM, PUMP			
22	+	P005-000520	1	GASKET, PUMP			
23	+	P005-001890	1	BASE, ASY PRIMER			
24	+	P005-000270	1	SCREW			

10. Carburetor(Sr/Nr 37004651 and after)



KEY	LV	PART NUMBER	Q'TY	DESCRIPTION	REMARKS	NOTE1	NOTE2
25	+	125381-08660	1	PUMP, PRIMING			
26	+	P005-000250	1	RETAINER			
27	+	P005-001900	4	SCREW			
28	+	P005-001000	1	ROLLER, GUIDE			

11. Repair Kit

KEY	LV	PART NUMBER	Q'TY	DESCRIPTION	REMARKS	NOTE1	NOTE2
		P005-001660	1	DIAPHRAGM/GASKET KIT			
7-13	+	P005-000200	1	GASKET, METERING			
7-14	+	P005-001780	1	DIAPHRAGM			
7-21	+	P005-000510	1	DIAPHRAGM, PUMP			
7-22	+	P005-000520	1	GASKET, PUMP			
		P005-001670	1	REBUILD KIT			
7-28	+	P005-001000	1	ROLLER, GUIDE			
7-17	+	P005-000010	1	STRAINER			
7-8	+	P005-000940	1	SPRING, METER. LEVER			
7-9	+	125323-08260	1	ARM, VALVE			
7-10	+	125338-13930	1	PIN, METERING ARM			
7-11	+	125337-08260	1	VALVE, INLET NEEDLE			
7-13	+	P005-000200	1	GASKET, METERING			
7-14	+	P005-001780	1	DIAPHRAGM			
7-21	+	P005-000510	1	DIAPHRAGM, PUMP			
7-22	+	P005-000520	1	GASKET, PUMP			
		P021-012350	1	GASKET KIT			
1-5	+	V100-000190	1	GASKET,CYL			
1-16	+	100242-42030	1	GASKET, CRANKCASE			
3-16	+	V103-000390	1	GASKET,INTAKE			
3-13	+	V103-000400	1	GASKET,INTAKE			
3-9	+	130016-42031	1	GASKET, INTAKE			
3-19	+	V104-000820	1	GASKET,EXHAUST	NP7002		
3-24	+	V104-000830	1	GASKET,EXHAUST			

Index

Patrs Number	Key No.	Patrs Number	Key No.	Patrs Number	Key No.
100014-11520	1 - 10	890157-06560	5 - 17	A130-000780	1 - 3
100015-04630	1 - 9	890160-06361	5 - 14	A160-000821	1 - 2
100143-19830	7 - 8	895410-06960	7 - 21	A160-000830	3 - 17
100143-19830	8 - 8	895410-06960	8 - 21	A160-000830	4 - 17
100212-42031	1 - 14	900100-08014	7 - 7	A200-000280	3 - 15
100215-03930	1 - 18	900100-08014	8 - 7	A200-000280	4 - 15
100242-42030	1 - 16	900105-05060	3 - 6	A226-000350	3 - 5
100242-42030	11 - 1-16	900105-05060	4 - 6	A226-000350	4 - 5
125323-08260	10 - 9	900106-05008	1 - 1	A232-000340	3 - 3
125323-08260	11 - 7-9	900106-05014	2 - 30	A232-000340	4 - 3
125323-08260	9 - 9	900106-05014	3 - 29	A244-000070	3 - 7
125337-08260	10 - 11	900106-05014	4 - 29	A244-000070	4 - 7
125337-08260	11 - 7-11	900162-04020	7 - 11	A300-000141	3 - 20
125337-08260	9 - 11	900162-04020	8 - 11	A300-000141	4 - 20
125338-13930	10 - 10	900162-05025	1 - 4	A310-000070	3 - 21
125338-13930	11 - 7-10	900162-05025	3 - 14	A310-000070	4 - 21
125338-13930	9 - 10	900162-05025	4 - 14	A313-000840	3 - 25
125339-42030	10 - 12	900162-05028	1 - 15	A313-000840	4 - 25
125339-42030	9 - 12	900163-04016	2 - 16	A313-000850	3 - 26
125342-52130	10 - 15	900238-05025	5 - 1	A313-000850	4 - 26
125342-52130	9 - 15	900253-05020	5 - 9	A350-000550	6 - 14
125344-13931	10 - 1	900253-05020	6 - 9	A356-000030	6 - 4
125344-13931	9 - 1	900253-05020	7 - 2	A409-000210	2 - 12
125344-52130	10 - 16	900253-05020	7 - 5	A411-000290	2 - 11
125344-52130	9 - 16	900253-05020	7 - 13	A425-000000	2 - 3
125381-08660	10 - 25	900253-05020	7 - 16	A426-000010	2 - 4
125381-08660	9 - 25	900253-05020	8 - 2	A427-000012	2 - 6
130016-42031	11 - 3-9	900253-05020	8 - 5	A429-000010	2 - 5
130016-42031	3 - 9	900253-05020	8 - 13	A440-000770	5 - 15
130016-42031	4 - 9	900253-05020	8 - 16	C400-000471	5 - 12
131004-55530	6 - 1	900253-05025	5 - 8	C410-000390	7 - 14
131016-55830	6 - 2	900562-50005	5 - 6	C410-000391	8 - 14
131051-56030	6 - 3	900602-00005	5 - 2	C410-000400	7 - 15
131205-07320	6 - 13	900603-00005	3 - 22	C410-000400	8 - 15
131911-03460	3 - 2	900603-00005	4 - 22	C411-000010	5 - 5
131911-03460	4 - 2	900603-00005	5 - 4	C450-000241	5 - 7
132010-49730	6 - 11	900603-00005	6 - 8	C453-000260	5 - 3
132013-09820	6 - 5	91113-04020	2 - 10	C454-000130	5 - 10
132115-01461	6 - 7	91367-04010	3 - 27	C459-000010	3 - 18
132115-44330	6 - 12	91367-04010	4 - 27	C459-000010	4 - 18
152115-05530	2 - 2	94035-36201	1 - 17	C480-000070	3 - 11
156110-04920	2 - 7	A011-000371	1 - 11	E100-000070	7 - 9
177215-44430	2 - 24	A021-001350	3 - 10	E100-000070	8 - 9
177220-42030	2 - 25	A021-001350	9 -	E101-000071	2 - 13
177227-42030	2 - 29	A021-001590	10 -	E103-000451	7 - 10
177228-27030	2 - 28	A021-001590	4 - 10	E103-000451	8 - 10
177234-12220	2 - 19	A051-001060	2 - 21	E103-000461	7 - 6
177236-44330	2 - 22	A052-000200	2 - 17	E103-000461	8 - 6
177246-11120	2 - 27	A101-000140	1 - 7	E104-000080	7 - 1

Index

Patrs Number	Key No.	Patrs Number	Key No.	Patrs Number	Key No.
E104-000080	8 - 1	P005-001270	9 - 19	V471-001860	6 - 10
E162-000000	7 - 12	P005-001660	11 -	V475-003380	2 - 9
E162-000000	8 - 12	P005-001670	11 -	V485-000820	2 - 1
E165-000190	7 - 17	P005-001780	10 - 14	V485-000830	5 - 18
E165-000191	8 - 17	P005-001780	11 - 7-14	V486-000070	5 - 16
E165-000210	7 - 18	P005-001780	11 - 7-14	V553-000010	1 - 12
E165-000210	8 - 18	P005-001780	9 - 14	V583-000080	7 - 20
E178-000050	7 - 19	P005-001890	10 - 23	V583-000080	8 - 20
E178-000050	8 - 19	P005-001890	9 - 23	V606-000000	1 - 8
P005-000010	10 - 17	P005-001900	10 - 27	X502-000330	2 - 31
P005-000010	11 - 7-17	P005-001900	9 - 27	X503-008160	2 - 32
P005-000010	9 - 17	P005-002000	10 - 3	X505-002080	7 - 4
P005-000100	10 - 4	P005-002000	9 - 3	X505-002080	8 - 4
P005-000100	9 - 4	P021-008231	1 - 13	X505-002310	5 - 14
P005-000190	10 - 5	P021-010260	1 - 6	X506-000090	3 - 4
P005-000190	9 - 5	P021-010980	3 - 8	X506-000090	4 - 4
P005-000200	10 - 13	P021-010980	4 - 8	X532-000720	2 - 8
P005-000200	11 - 7-13	P021-011200	3 - 28	X547-000520	7 - 3
P005-000200	11 - 7-13	P021-011200	4 - 28	X547-000520	8 - 3
P005-000200	9 - 13	P021-012350	11 -		
P005-000250	10 - 26	P021-013780	2 - 14		
P005-000250	9 - 26	P022-002100	2 - 18		
P005-000270	10 - 24	P022-006850	2 - 20		
P005-000270	9 - 24	P022-008260	2 - 23		
P005-000280	10 - 7	V100-000190	1 - 5		
P005-000280	9 - 7	V100-000190	11 - 1-5		
P005-000510	10 - 21	V103-000390	11 - 3-16		
P005-000510	11 - 7-21	V103-000390	3 - 16		
P005-000510	11 - 7-21	V103-000390	4 - 16		
P005-000510	9 - 21	V103-000400	11 - 3-13		
P005-000520	10 - 22	V103-000400	3 - 13		
P005-000520	11 - 7-22	V103-000400	4 - 13		
P005-000520	11 - 7-22	V104-000820	11 - 3-19		
P005-000520	9 - 22	V104-000820	3 - 19		
P005-000940	10 - 8	V104-000820	4 - 19		
P005-000940	11 - 7-8	V104-000830	11 - 3-24		
P005-000940	9 - 8	V104-000830	3 - 24		
P005-001000	10 - 28	V104-000830	4 - 24		
P005-001000	11 - 7-28	V203-000190	3 - 23		
P005-001000	9 - 28	V203-000190	4 - 23		
P005-001240	10 - 2	V263-000070	2 - 15		
P005-001240	9 - 2	V263-000070	5 - 13		
P005-001250	10 - 20	V264-000050	3 - 12		
P005-001250	9 - 20	V299-000250	3 - 1		
P005-001260	10 - 18	V299-000250	4 - 1		
P005-001260	9 - 18	V420-001430	6 - 15		
P005-001270	10 - 6	V420-001440	2 - 26		
P005-001270	10 - 19	V431-000000	5 - 11		
P005-001270	9 - 6	V471-001220	6 - 6		

YAMABIKO CORPORATION

7-2 SUEHIROCHO 1-CHOME, OHME, TOKYO 198-8760, JAPAN
PHONE: 81-428-32-6118. FAX: 81-428-32-6145.

