

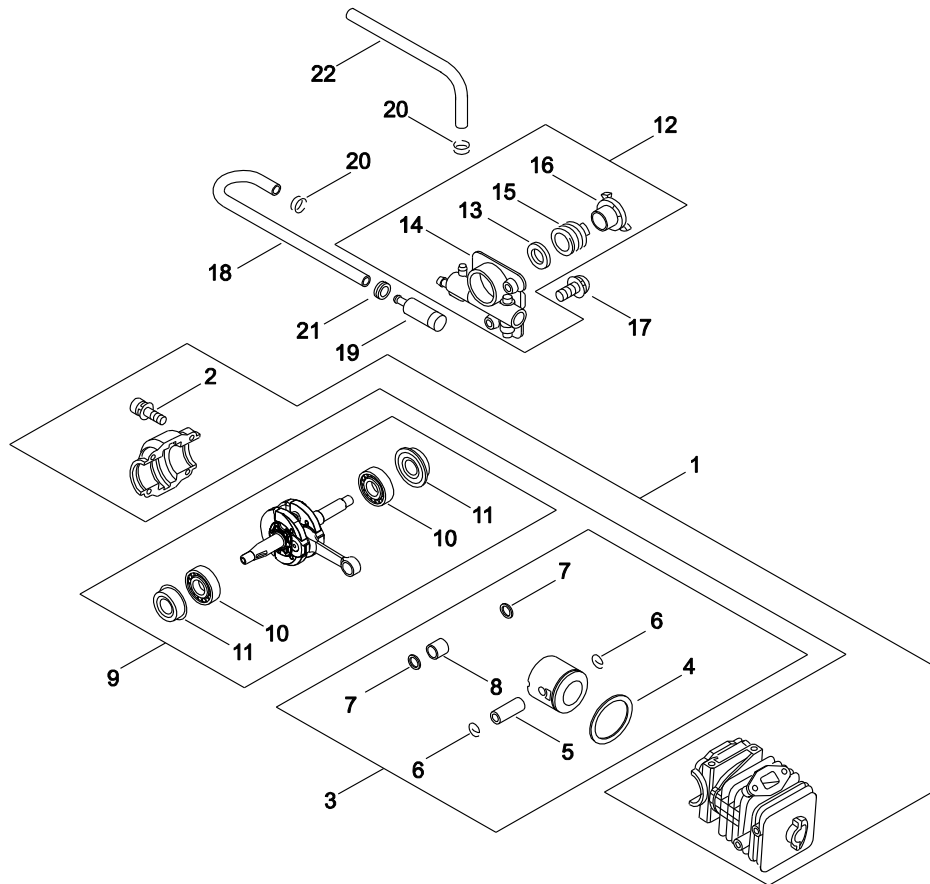


# **PARTS CATALOG**

## **CHAIN SAW CS-361WES(70)**

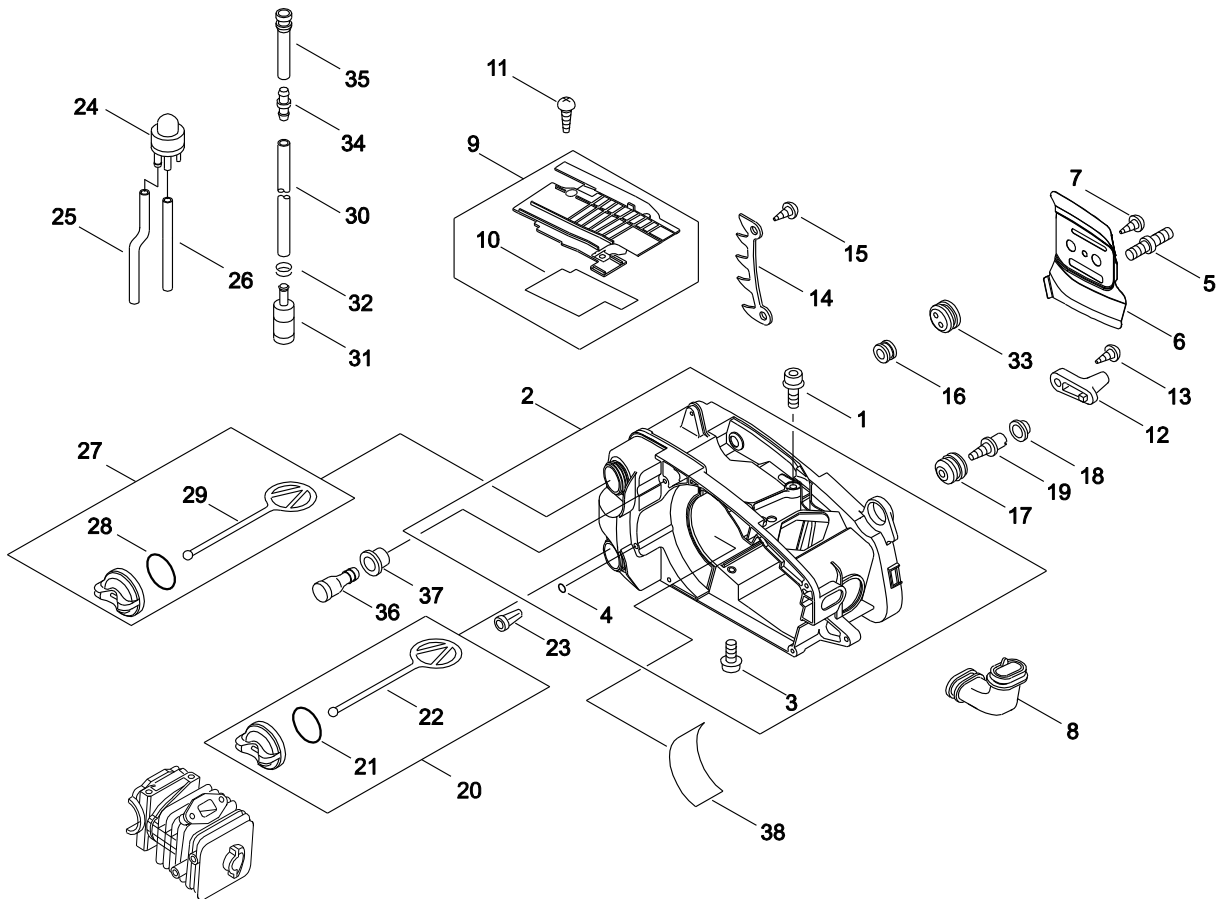
**70000001 -**

# 1. CYLINDER, PISTON, CRANKSHAFT



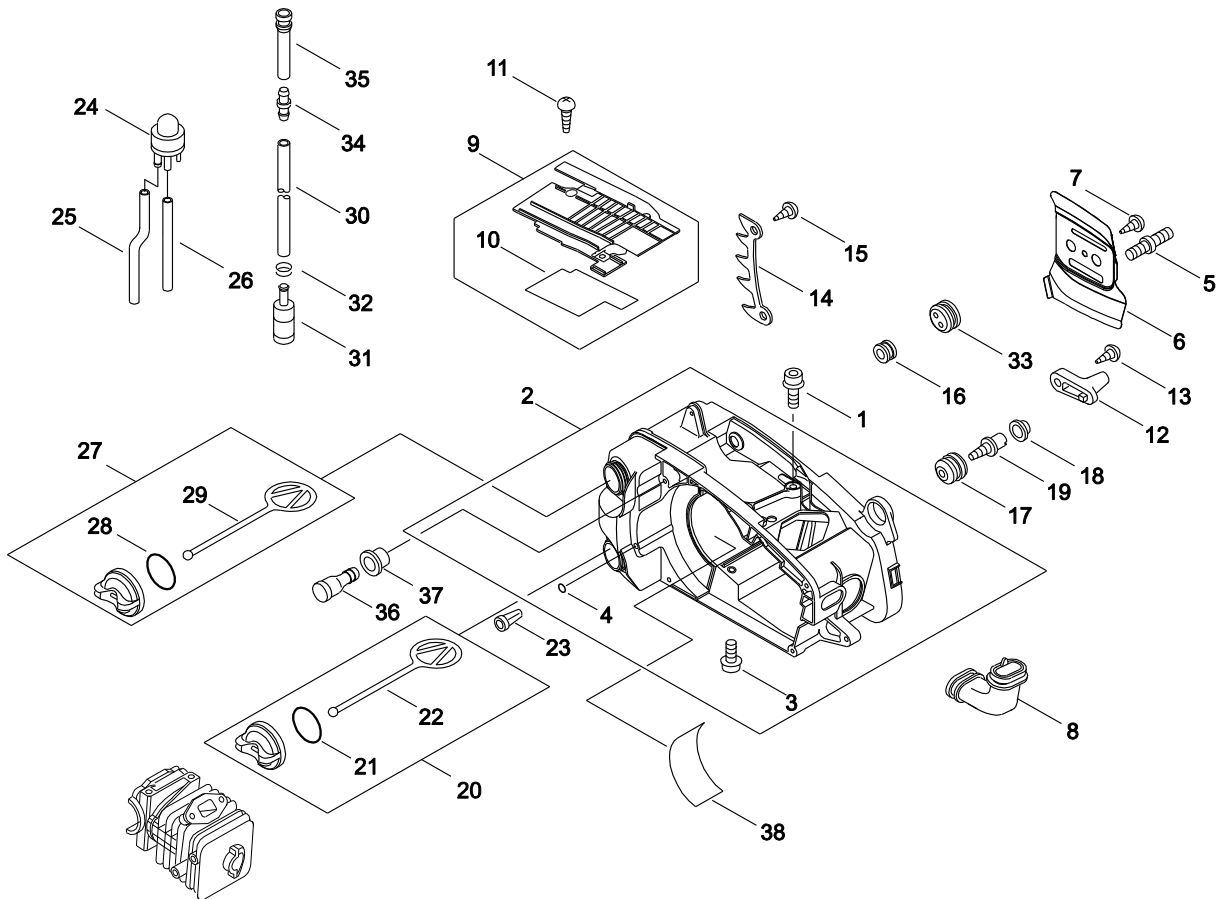
KEY	LV	PART NUMBER	Q'TY	DESCRIPTION	REMARKS	NOTE1	NOTE2
1		P021-048570	1	CRANKCASE SET			
2	+	900162-05025	4	BOLT, H.S. 5*25	5*25 W,SW		
3		P021-045440	1	PISTON KIT			
4	+	A101-000670	1	RING, PISTON	39*1.2*1.7		
5	+	100013-15330	1	PIN, PISTON	5.5*8*29		
6	+	100015-04630	2	CIRCLIP, PISTON PIN			
7	+	100014-60930	2	SPACER, PISTON PIN			
8	+	V553-000130	1	BEARING, NEEDLE 8			
9		P021-039160	1	CRANKSHAFT ASY			
10	+	94035-36201	2	BEARING BALL	6201X3JR2C3		
11	+	V505-000011	2	SEAL, OIL 12	12*32*5.5		
12		P021-010890	1	AUTO-OILER ASY			
13	+	V308-000030	1	WASHER, CIRCULAR 11	10.5*17.4*1.8		
14	+	C022-000020	1	AUTO-OILER ASSEMBLY			
15	+	V652-000030	1	GEAR, WORM			
16	+	V356-000290	1	COLLAR, 10			
17		900238-04012	2	SCREW 4*12	4*12		
18		V471-000740	1	PIPE			
19		436205-02832	1	STRAINER, OIL			
20		V490-001230	2	CLIP			
21		132115-01461	1	GROMMET			
22		V471-000760	1	PIPE			

2. ENGINE COVER



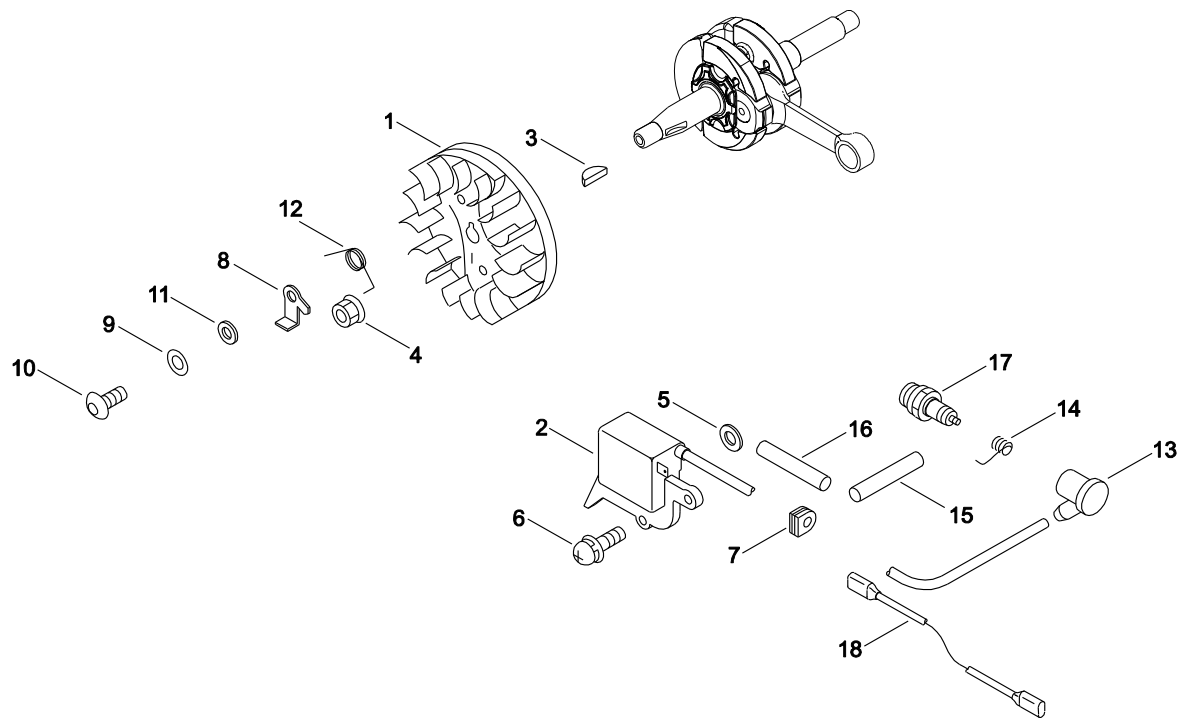
KEY	LV	PART NUMBER	Q'TY	DESCRIPTION	REMARKS	NOTE1	NOTE2
1		900106-05020	2	BOLT, H.S. 5*20	5*20		
2		P021-040641	1	COVER,ENGINE KIT			
3	+	900106-05030	2	BOLT, H.S.H. 5*30	5*30		
4	+	900724-00004	1	O-RING (S-4)	S-4		
5		V224-000031	2	BOLT,STUD 6			
6		C305-000080	1	PLATE,SPROCKET GUARD	T0.3		
7		900253-04010	1	SCREW 4*10	4*10		
8		A239-000030	1	PIPE,INTAKE	L TYPE		
9		P021-008741	1	DUSTCOVER SET			
10	+	V341-000040	1	WASHER,SQUARE			
11		900253-04012	2	SCREW	4*12		
12		433026-35430	1	CATCHER,CHAIN			
13		900253-05020	1	SCREW 5*20	5*20		
14		C304-000000	1	SPIKE			
15		900253-05020	1	SCREW 5*20	5*20		
16		163911-30130	1	PLUG			
17		100910-18830	1	CUSHION			
18		100918-15130	1	CAP			
19		V202-000020	1	BOLT,4			
20		P021-005581	1	OIL CAP ASY			
21	+	900720-00018	1	O-RING 18	P-18		
22	+	A365-000050	1	CONNECTOR,CAP			
23		436114-13930	1	VALVE, CHECK			
24		123181-39130	1	PUMP, PRIMER			
25		V471-001440	1	PIPE	2.4*5*295		

2. ENGINE COVER



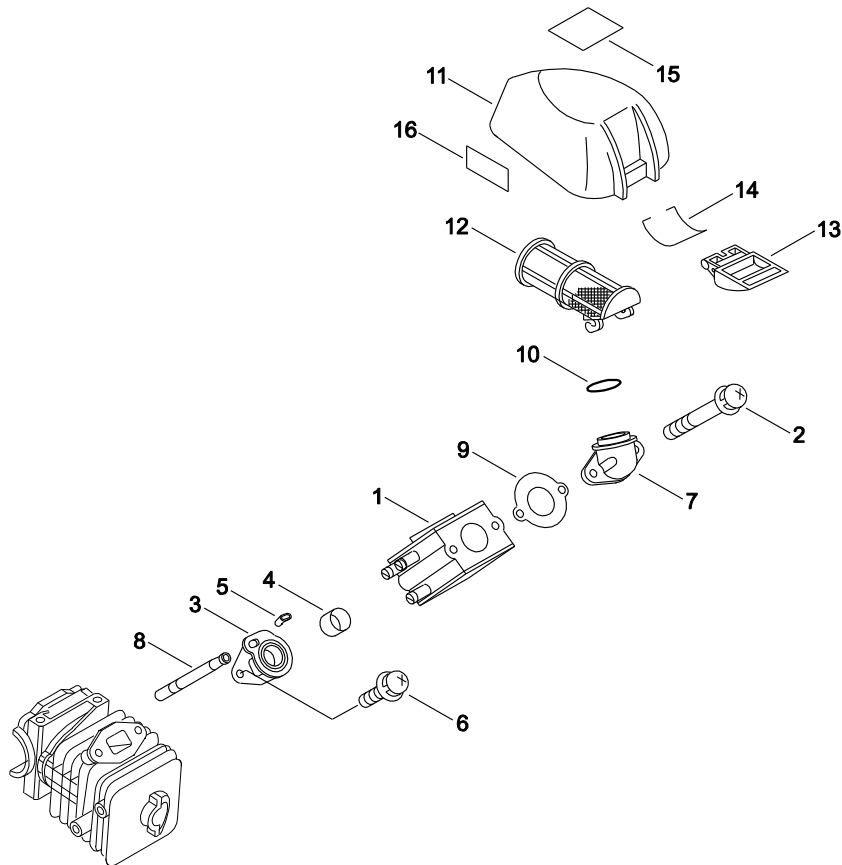
KEY	LV	PART NUMBER	Q'TY	DESCRIPTION	REMARKS	NOTE1	NOTE2
26		V471-001290	1	PIPE	2.4*5*75		
27		P021-005591	1	CAP ASY			
28	+	900720-00018	1	O-RING 18	P-18		
29	+	A365-000050	1	CONNECTOR,CAP			
30		V471-000750	1	PIPE			
31		A369-000420	1	STRAINER, FUEL	ES-16499		
32		V490-001240	1	CLIP			
33		132115-44330	1	GROMMET			
34		V186-000510	1	JOINT,PIPE			
35		V470-000321	1	PIPE	10*6*L32		
36		131300-56431	1	VENT ASSEMBLY, FUEL			
37		V137-000000	1	GROMMET,FUEL			
38		V420-001110	1	CUSHION			

## 3. MAGNETO



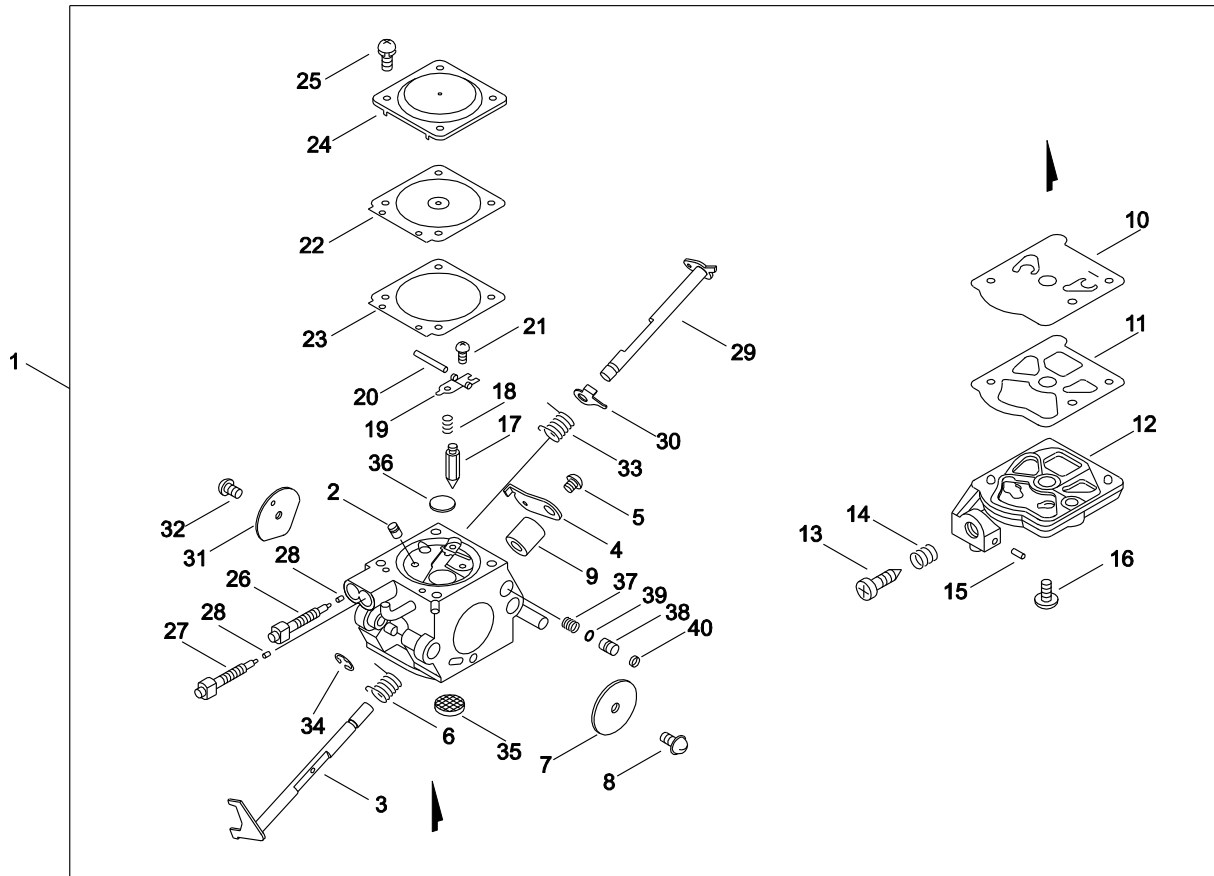
KEY	LV	PART NUMBER	Q'TY	DESCRIPTION	REMARKS	NOTE1	NOTE2
1		A409-001180	1	ROTOR, MAGNETO			
2		P021-048610	1	COIL, IGNITION			
3		100142-12330	1	KEY, WOODRUFF			
4		900515-00008	1	NUT, FLANGE 8	8		
5		150117-16430	2	SPACER			
6		900238-05020	2	SCREW 5*20	5*20		
7		156110-04920	1	BUSHING			
8		A514-000020	2	PAWL			
9		900603-00005	2	WASHER 5	5.5*12*0.8		
10		V203-000080	2	BOLT, 5	5*14		
11		177247-04630	2	SPACER, RATCHET	5.2*8*2.1		
12		177234-35430	2	SPRING, RETURN			
13		A427-000000	1	CAP, SPARK PLUG			
14		A426-000000	1	TERMINAL, SPARKPLUG			
15		V475-002390	1	TUBE			
16		V475-007430	1	TUBE			
17		A425-000000	1	SPARKPLUG	BPMR8Y		
18		V485-000550	1	LEAD	AMP-187 AMP-250		

## 4. AIR CLEANER, CARBURETOR



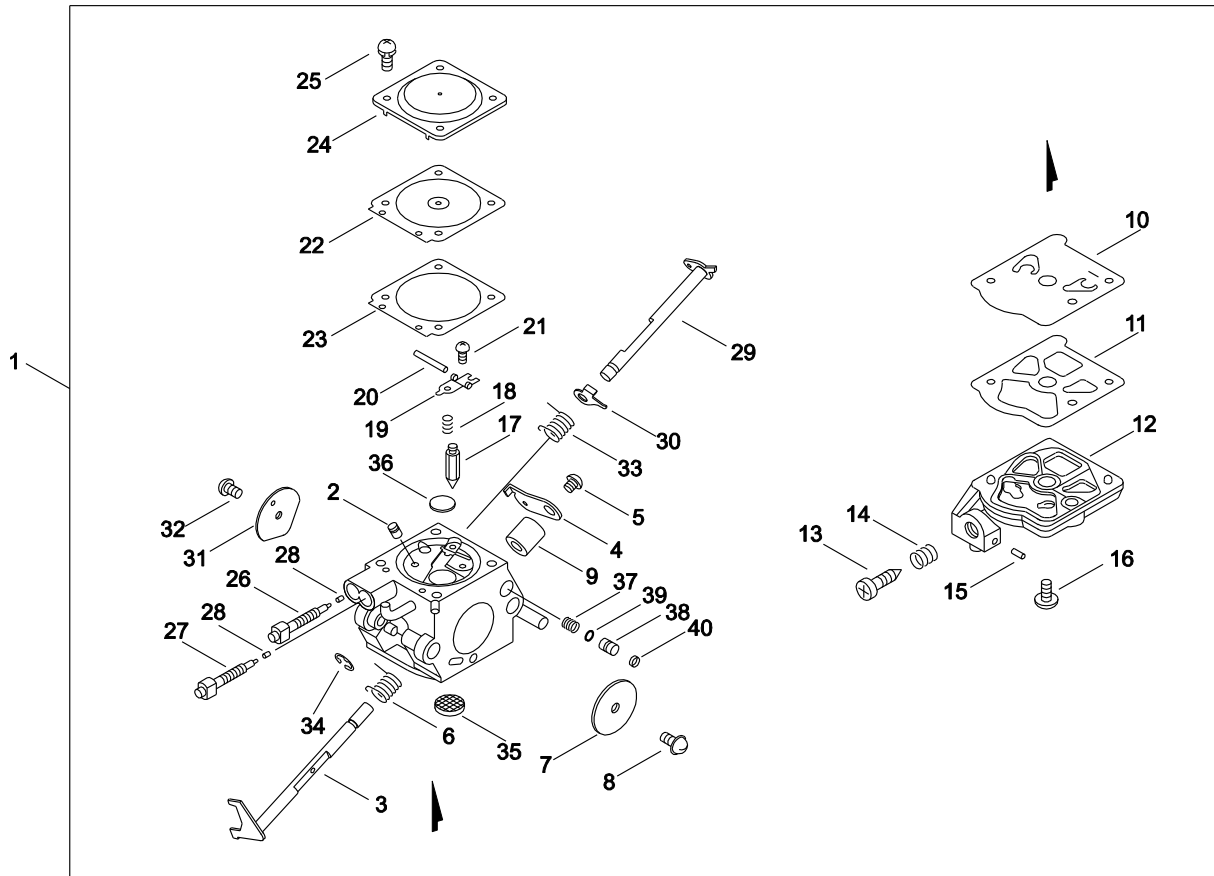
KEY	LV	PART NUMBER	Q'TY	DESCRIPTION	REMARKS	NOTE1	NOTE2
1		A021-004400	1	CARBURETOR,DIAPHRAGM	C1Q-2690		
2		900238-05050	2	SCREW 5*50	5*50		
3		A202-000033	1	BELLOWS,INTAKE			
4		V359-000060	1	COLLAR,16			
5		V351-000000	1	COLLAR,3	3.2*6.5		
6		900238-05012	2	SCREW 5*12	5*12		
7		A204-000060	1	ELBOW,CARBURETOR			
8		V470-000482	1	PIPE			
9		V103-001510	1	GASKET,INTAKE			
10		92505-10200	1	O-RING	JASO 1020		
11		A232-000191	1	LID,CLEANER			
12		A226-001700	1	ELEMENT, AIR FILTER			
13		A235-000140	1	KNOB,CLEANER LID			
14		V582-000020	1	RING,SNAP	CSE2700		
15		X503-013510	1	LABEL,MODEL			
16		X505-001340	1	LABEL,CAUTION			

5. CARBURETOR



KEY	LV	PART NUMBER	Q'TY	DESCRIPTION	REMARKS	NOTE1	NOTE2
1		A021-004400	1	CARBURETOR,DIAPHRAGM	C1Q-2690		
2	+	P005-003590	1	NOZZLE, CHECK VALVE			
3	+	P005-003600	1	SHAFT ASY,THROTTLE			
4	+	P005-003610	1	LEVER, THROTTLE			
5	+	125348-13930	1	SCREW			
6	+	P005-000790	1	SPRING,THRT.RETURN			
7	+	P005-003620	1	VALVE, THROTTLE			
8	+	125314-13930	1	SCREW	3*4		
9	+	P005-003630	1	COLLAR			
10	+	P005-001110	1	DIAPHRAGM, PUMP			
11	+	125325-08360	1	GASKET, PUMP			
12	+	P005-003180	1	COVER, PUMP			
13	+	125344-08560	1	SCREW			
14	+	125333-33330	1	SPRING, IDLE ADJUST			
15	+	125378-13930	1	PIECE, FRICTION			
16	+	125310-13930	1	SCREW			
17	+	125337-08260	1	VALVE, INLET NEEDLE			
18	+	125322-11520	1	SPRING, COIL			
19	+	125323-08260	1	ARM, VALVE			
20	+	125338-13930	1	PIN, METERING ARM			
21	+	125339-13930	1	SCREW			
22	+	P005-003190	1	DIAPHRAGM ,METERING			
23	+	P005-003200	1	GASKET, METERING			
24	+	P005-003210	1	COVER, METERING			
25	+	P005-003220	4	SCREW			

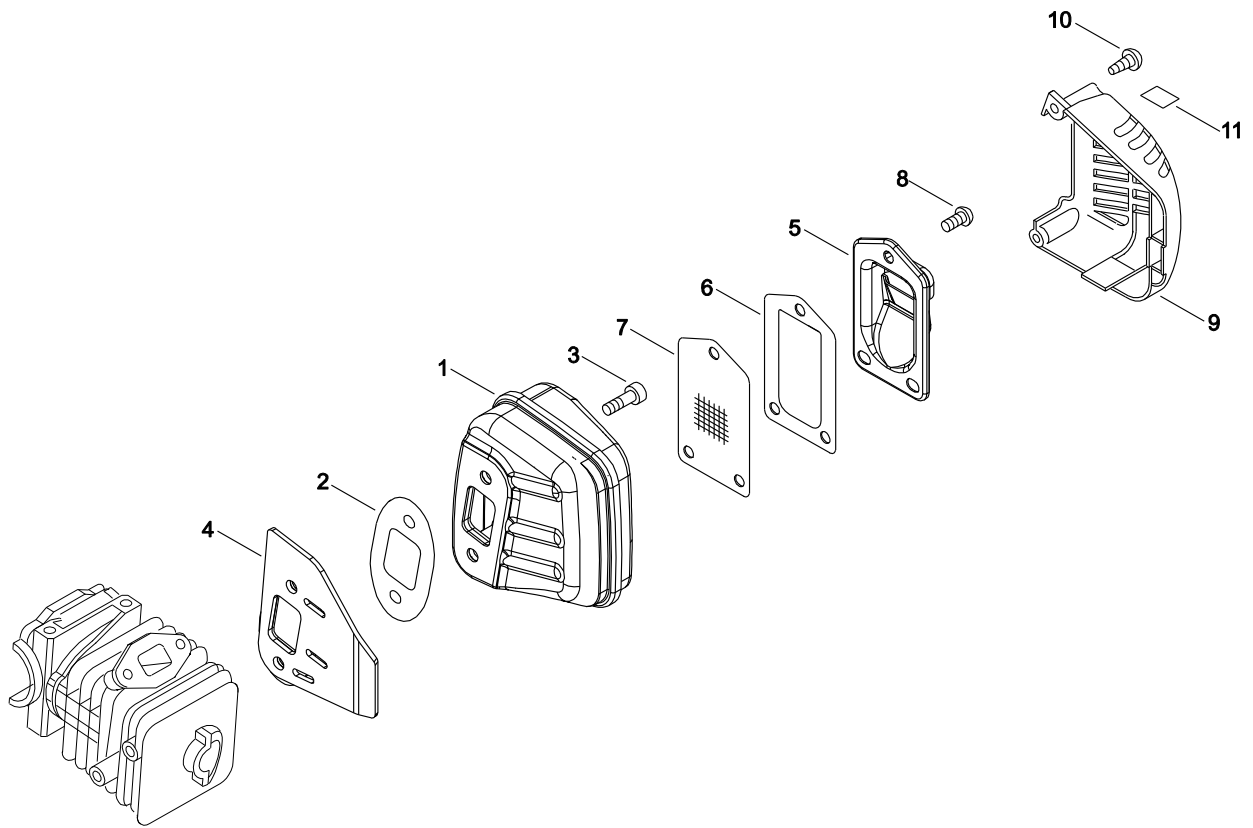
5. CARBURETOR



KEY	LV	PART NUMBER	Q'TY	DESCRIPTION	REMARKS	NOTE1	NOTE2
26	+	P005-002370	1	NEEDLE, HIGH SPEED			
27	+	P005-002380	1	NEEDLE, IDLE			
28	+	125363-12820	2	RETAINER			
29	+	P005-002390	1	SHAFT, CHOKE			
30	+	P005-003050	1	LEVER, CHOKE			
31	+	P005-003640	1	VALVE, CHOKE			
32	+	125314-51230	1	SCREW	3*4.5		
33	+	P005-003650	1	SPRING, CHOKE RETURN			
34	+	125327-15130	1	CLIP			
35	+	P005-000860	1	SCREEN, FUEL INLET			
36	+	P005-002400	1	PLUG, WELCH			
37	+	P005-003660	1	SPRING			
38	+	P005-003670	1	PLUNGER			
39	+	P005-003680	1	O-RING			
40	+	P005-003690	1	PLUG			

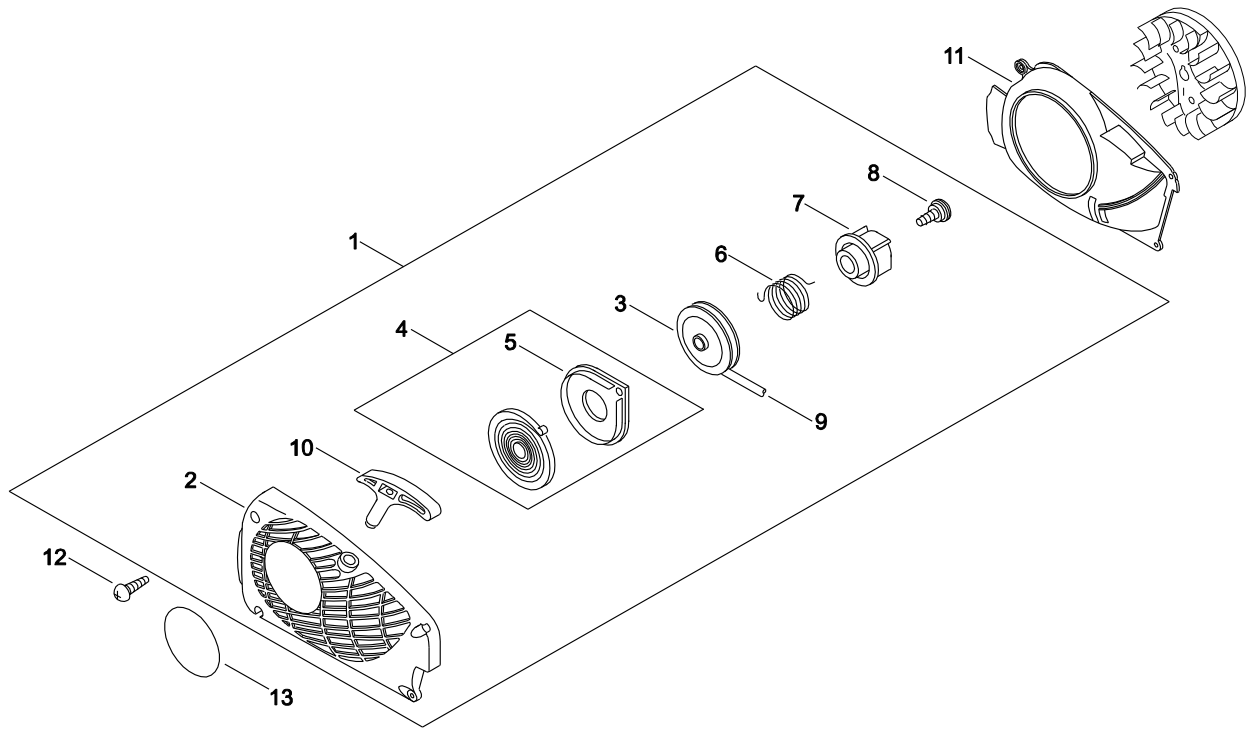


6. MUFFLER



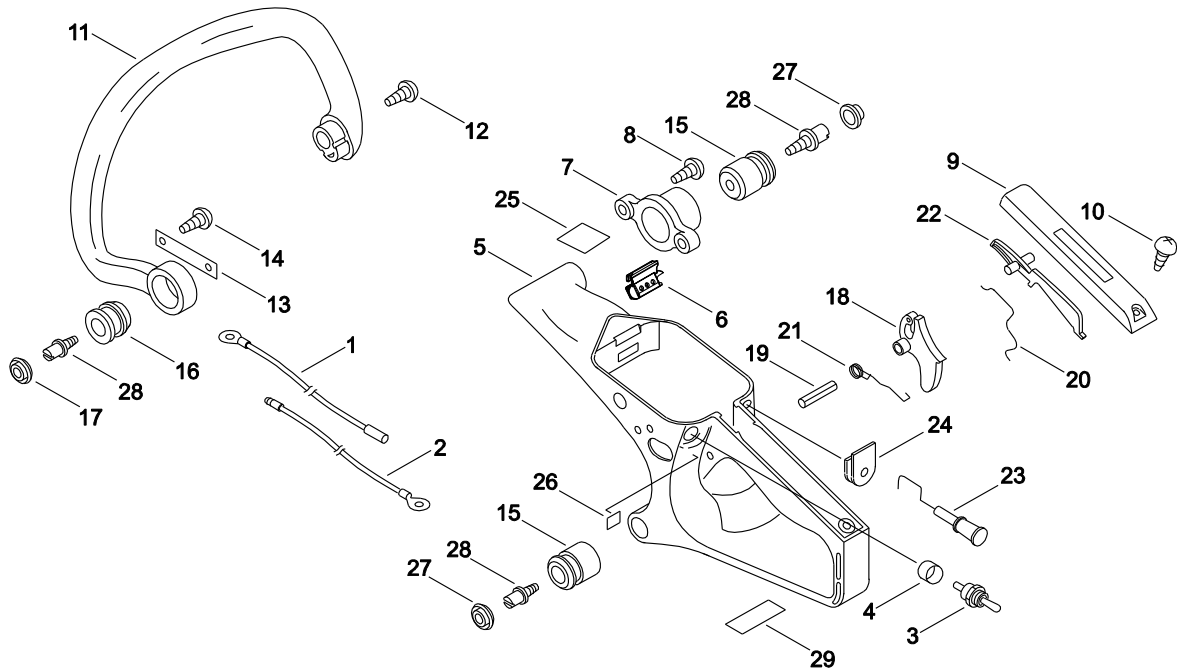
KEY	LV	PART NUMBER	Q'TY	DESCRIPTION	REMARKS	NOTE1	NOTE2
1		A300-001841	1	MUFFLER, EXHAUST	T:0.6		
2		V104-001960	1	GASKET,EXHAUST			
3		900105-05018	2	BOLT, H.S. 5*18	5*18		
4		A312-000070	1	PLATE, EXHUST			
5		A313-001980	1	GUIDE, EXHAUST	ID# 2140		
6		V104-001980	1	GASKET,EXHAUST			
7		A310-000431	1	SCREEN, ARRESTOR			
8		900242-04010	3	SCREW 4*10	4*10		
9		A320-001130	1	COVER,MUFFLER			
10		900253-04016	2	SCREW 4*16	4*16		
11		X505-007710	1	LABEL,CAUTION			

# 7. RECOIL STARTER



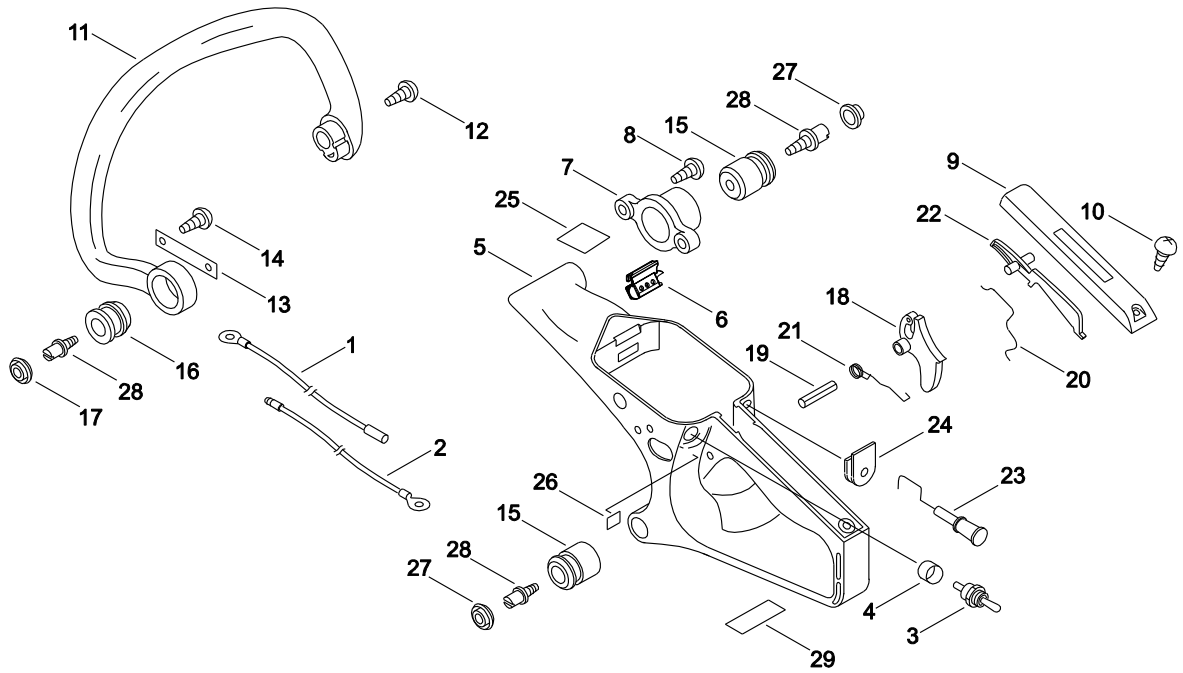
KEY	LV	PART NUMBER	Q'TY	DESCRIPTION	REMARKS	NOTE1	NOTE2
1		A051-003010	1	STARTER,RECOIL ASY			
2	+	P022-039160	1	CASE,STARTER			
3	+	A506-000460	1	REEL,ROPE			
4	+	P022-001330	1	SPRING KIT, REWIND			
5	++	P022-033280	1	SPRING CASE			
6	+	V452-001320	1	SPRING,TORSION			
7	+	A507-000110	1	CATCHER,PAWL			
8	+	177236-61830	1	SCREW			
9	+	P022-008440	1	ROPE, STARTER	3.5*900		
10	+	P022-005891	1	GRIP, STARTER			
11		A172-002190	1	COVER,FAN			
12		900256-04016	4	SCREW 4*16			
13		X502-000410	1	LABEL,ECHO			

8. HANDLE



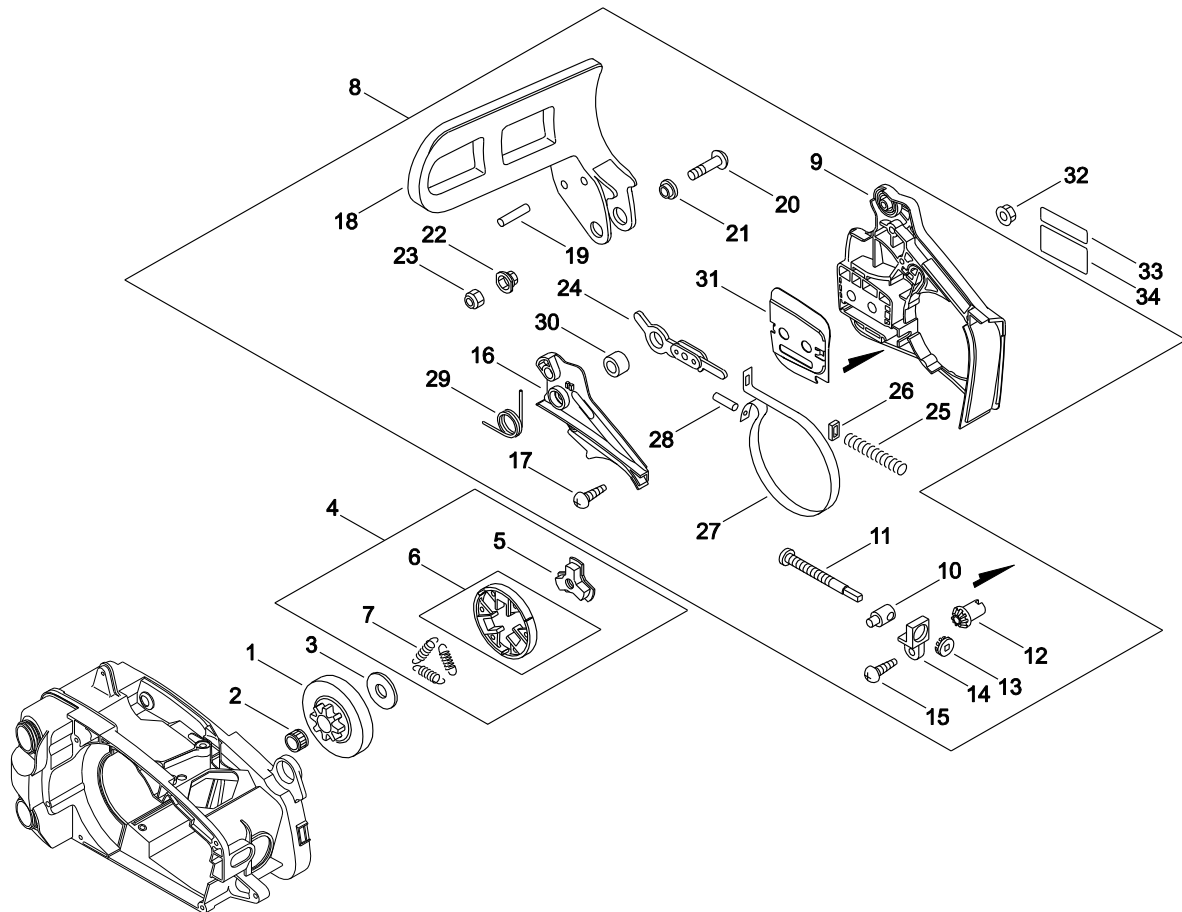
KEY	LV	PART NUMBER	Q'TY	DESCRIPTION	REMARKS	NOTE1	NOTE2
1		V485-000560	1	LEAD	CB-104 LA-105		
2		V485-000571	1	LEAD			
3		163400-38430	1	SWITCH, IGNITION			
4		A472-000091	1	CASE, SWITCH			
5		C410-000253	1	HANDLE, REAR			
6		V142-000020	1	GROMMET, DUST			
7		V424-000000	1	SLEEVE, CUSHION			
8		900253-04016	2	SCREW 4*16	4*16		
9		C411-000001	1	LID, HANDLE			
10		900253-04012	1	SCREW	4*12		
11		C400-000321	1	HANDLE, FRONT			
12		900253-05020	2	SCREW 5*20	5*20		
13		C617-000200	1	STOPPER			
14		900253-04008	1	SCREW 4*8	4*8		
15		V400-000070	2	CUSHION, 4			
16		V401-000120	1	CUSHION, 5			
17		100918-14330	1	CAP, CUSHION			
18		C450-000141	1	TRIGGER, THROTTLE			
19		900345-40025	1	PIN, SPRING 4*25SUS	4*25SUS		
20		C454-000110	1	ROD, THROTTLE			
21		V452-000260	1	SPRING, TORSION			
22		178090-37930	1	LOCKOUT, T. CONTROL			
23		A241-000060	1	KNOB, CHOKE			
24		V130-000010	1	GROMMET, CHOKE			

8. HANDLE



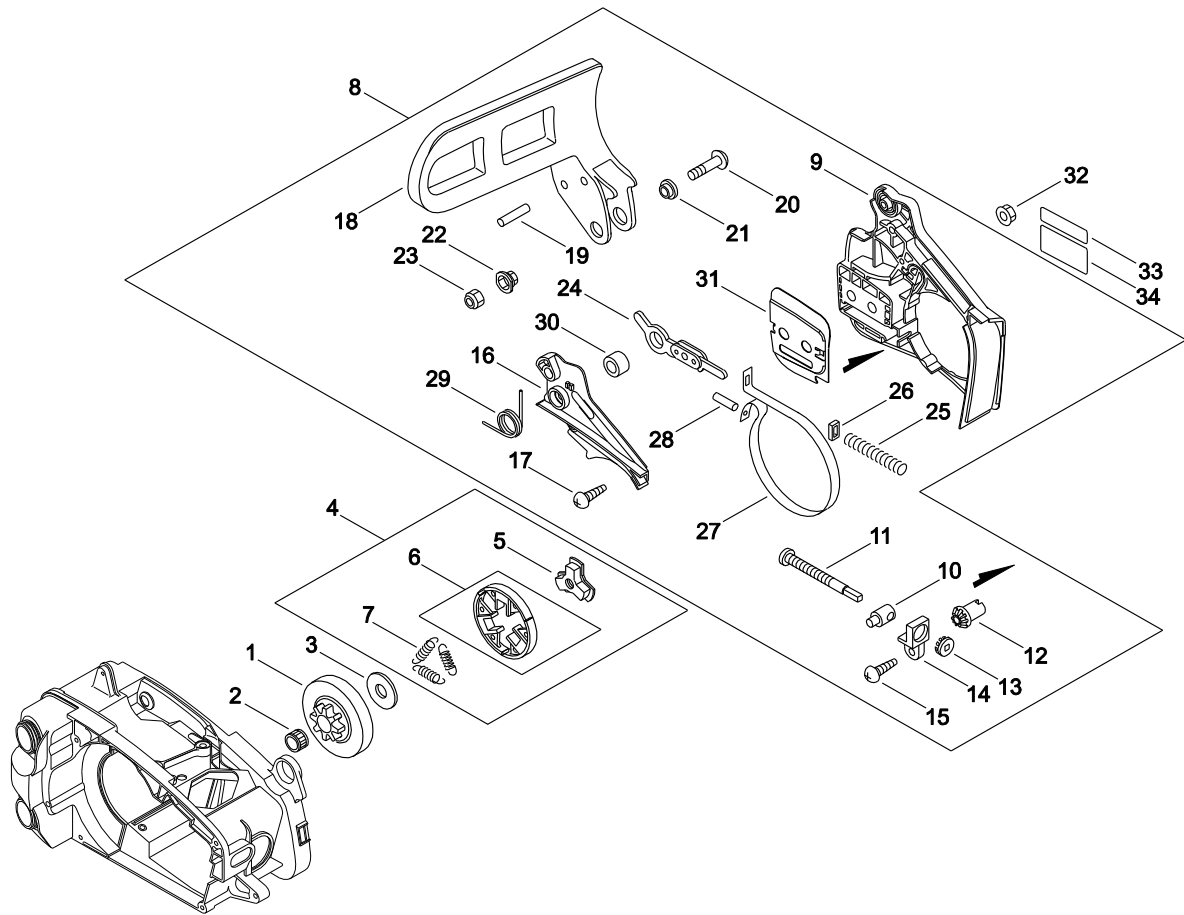
KEY	LV	PART NUMBER	Q'TY	DESCRIPTION	REMARKS	NOTE1	NOTE2
25		890345-39231	1	LABEL,CAUTION			
26		890157-39131	1	LABEL, SWITCH			
27		100918-15130	2	CAP			
28		V202-000020	3	BOLT,4			
29		X505-007100	1	LABEL,CAUTION	50:1		

## 9. CHAIN BRAKE



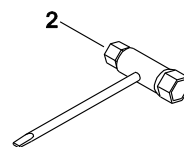
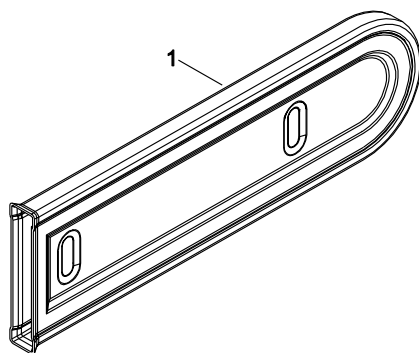
KEY	LV	PART NUMBER	Q'TY	DESCRIPTION	REMARKS	NOTE1	NOTE2
1		175005-39133	1	DRUM, CLUTCH			
2		V555-000170	1	BEARING, NEEDLE 10	8E-KV10*13*12.8		
3		A551-000010	1	PLATE, CLUTCH			
4		A056-000070	1	CLUTCH			
5	+	A552-000020	1	HUB, CLUTCH			
6		P021-005810	1	CLUTCH SHOE SET			
7	+	V451-000470	3	SPRING, TENSION			
8		P021-048620	1	BRAKE, ASM CHAIN			
9	+	C300-000242	1	GUARD, SPROCKET			
10	+	C309-000030	1	TENSIONER, CHAIN			
11		V203-000041	1	BOLT, 5			
12	+	V651-000001	1	GEAR, BEVEL			
13	+	V651-000011	1	GEAR, BEVEL			
14	+	V355-000140	1	COLLAR, 8			
15	+	900253-04012	1	SCREW	4*12		
16	+	C345-000084	1	COVER, BRAKE			
17	+	900253-04012	3	SCREW	4*12		
18	+	C320-000047	1	LEVER, BRAKE			
19	+	900330-30260	2	ROLLER 3*26	3*26		
20	+	91318-05032	1	SCREW	5*32		
21	+	433167-39130	1	SPACER			
22	+	V353-000060	1	COLLAR, 5			
23	+	900562-50005	1	LOCKNUT 5	5		
24	+	C334-000070	1	CONNECTOR, BRAKE			

9. CHAIN BRAKE



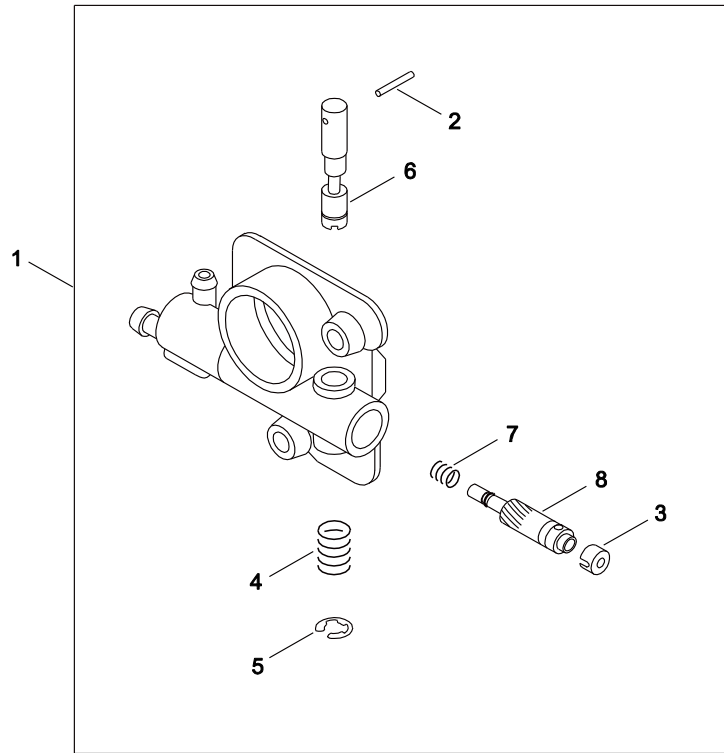
KEY	LV	PART NUMBER	Q'TY	DESCRIPTION	REMARKS	NOTE1	NOTE2
25	+	V450-000070	1	SPRING,COMPRESSION			
26	+	V376-000450	1	SPACER			
27	+	C328-000030	1	BAND,BRAKE			
28	+	93050-30098	1	ROLLER	F3*9.8		
29	+	V452-000110	1	SPRING,TORSION			
30	+	433116-35430	1	SPACER 8	8*12*9		
31	+	C305-000091	1	PLATE,SPROCKET GUARD	T0.5		
32		433019-03933	2	NUT, FLANGE 6	6		
33		X502-000340	1	LABEL,ECHO	ECHO(WHITE)		
34		X505-002340	1	LABEL,CAUTION			

10. ACCESSORIES



KEY	LV	PART NUMBER	Q'TY	DESCRIPTION	REMARKS	NOTE1	NOTE2
1		X490-000570	1	SCABBARD,CHAIN			
2		895410-03930	1	WRENCH, W/S. DRIVER			


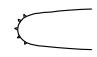
11. AUTO-OILER



KEY	LV	PART NUMBER	Q'TY	DESCRIPTION	REMARKS	NOTE1	NOTE2
1		C022-000020	1	AUTO-OILER ASSEMBLY			
2	+	P003-002180	1	PIN, SPRING			
3	+	437062-38330	1	CAP, OIL PUMP			
4	+	437015-37330	1	SPRING			
5	+	123127-15030	1	RING			
6	+	P003-001370	1	NEEDLE-ADJ			
7	+	437019-38330	1	SPRING			
8	+	437024-37330	1	PLUNGER			



## 12. GUIDE BAR, CHAIN

Pitch ピッチ  (inch) (mm)	Gauge ゲージ  (inch) (mm)	Length 長さ  (cm)	Guide Bar ガイドバー		Saw Chain ソーチェーン		Hard Nose  ハード ノーズ  	Sprocket Nose  スプロケット ノーズ  
			Key №	Type 形式	Key №	Type 形式		
3/8 9.53	0.050 1.27	30	A1	30RC50M-3/8	A2	91VXL-47E		●
3/8 9.53	0.050 1.27	35	B1	35RC50M-3/8	B2	91VXL-53E		●
3/8 9.53	0.050 1.27	40	C1	40RC50-3/8	C2	91VXL-58E		●

KEY	LV	PART NUMBER	Q'TY	DESCRIPTION	REMARKS	NOTE1	NOTE2
A1		X122-000072	1	BAR,GUIDE 30	30RC50M-3/8 ECHO		
A2		X222-000130	1	CHAIN,SAW	91VXL-47E		
B1		X123-000132	1	BAR,GUIDE 35	35RC50M-3/8 ECHO		
B2		X223-000080	1	CHAIN,SAW	91VXL-53E		
C1		430211-13432	1	BAR,GUIDE 40RC50-3/8	40RC50-3/8		
C2		X224-000030	1	CHAIN,SAW	91VXL-58E		

**Index**

<b>Patrs Number</b>	<b>Key No.</b>	<b>Patrs Number</b>	<b>Key No.</b>	<b>Patrs Number</b>	<b>Key No.</b>
100013-15330	1 - 5	890345-39231	8 - 25	A310-000431	6 - 7
100014-60930	1 - 7	895410-03930	10 - 2	A312-000070	6 - 4
100015-04630	1 - 6	900105-05018	6 - 3	A313-001980	6 - 5
100142-12330	3 - 3	900106-05020	2 - 1	A320-001130	6 - 9
100910-18830	2 - 17	900106-05030	2 - 3	A365-000050	2 - 22
100918-14330	8 - 17	900162-05025	1 - 2	A365-000050	2 - 29
100918-15130	2 - 18	900238-04012	1 - 17	A369-000420	2 - 31
100918-15130	8 - 27	900238-05012	4 - 6	A409-001180	3 - 1
123127-15030	11 - 5	900238-05020	3 - 6	A425-000000	3 - 17
123181-39130	2 - 24	900238-05050	4 - 2	A426-000000	3 - 14
125310-13930	5 - 16	900242-04010	6 - 8	A427-000000	3 - 13
125314-13930	5 - 8	900253-04008	8 - 14	A472-000091	8 - 4
125314-51230	5 - 32	900253-04010	2 - 7	A506-000460	7 - 3
125322-11520	5 - 18	900253-04012	2 - 11	A507-000110	7 - 7
125323-08260	5 - 19	900253-04012	8 - 10	A514-000020	3 - 8
125325-08360	5 - 11	900253-04012	9 - 15	A551-000010	9 - 3
125327-15130	5 - 34	900253-04012	9 - 17	A552-000020	9 - 5
125333-33330	5 - 14	900253-04016	6 - 10	C022-000020	1 - 14
125337-08260	5 - 17	900253-04016	8 - 8	C022-000020	11 - 1
125338-13930	5 - 20	900253-05020	2 - 13	C300-000242	9 - 9
125339-13930	5 - 21	900253-05020	2 - 15	C304-000000	2 - 14
125344-08560	5 - 13	900253-05020	8 - 12	C305-000080	2 - 6
125348-13930	5 - 5	900256-04016	7 - 12	C305-000091	9 - 31
125363-12820	5 - 28	900330-30260	9 - 19	C309-000030	9 - 10
125378-13930	5 - 15	900345-40025	8 - 19	C320-000047	9 - 18
131300-56431	2 - 36	900515-00008	3 - 4	C328-000030	9 - 27
132115-01461	1 - 21	900562-50005	9 - 23	C334-000070	9 - 24
132115-44330	2 - 33	900603-00005	3 - 9	C345-000084	9 - 16
150117-16430	3 - 5	900720-00018	2 - 21	C400-000321	8 - 11
156110-04920	3 - 7	900720-00018	2 - 28	C410-000253	8 - 5
163400-38430	8 - 3	900724-00004	2 - 4	C411-000001	8 - 9
163911-30130	2 - 16	91318-05032	9 - 20	C450-000141	8 - 18
175005-39133	9 - 1	92505-10200	4 - 10	C454-000110	8 - 20
177234-35430	3 - 12	93050-30098	9 - 28	C617-000200	8 - 13
177236-61830	7 - 8	94035-36201	1 - 10	P003-001370	11 - 6
177247-04630	3 - 11	A021-004400	4 - 1	P003-002180	11 - 2
178090-37930	8 - 22	A021-004400	5 - 1	P005-000790	5 - 6
430211-13432	12 - C1	A051-003010	7 - 1	P005-000860	5 - 35
433019-03933	9 - 32	A056-000070	9 - 4	P005-001110	5 - 10
433026-35430	2 - 12	A101-000670	1 - 4	P005-002370	5 - 26
433116-35430	9 - 30	A172-002190	7 - 11	P005-002380	5 - 27
433167-39130	9 - 21	A202-000033	4 - 3	P005-002390	5 - 29
436114-13930	2 - 23	A204-000060	4 - 7	P005-002400	5 - 36
436205-02832	1 - 19	A226-001700	4 - 12	P005-003050	5 - 30
437015-37330	11 - 4	A232-000191	4 - 11	P005-003180	5 - 12
437019-38330	11 - 7	A235-000140	4 - 13	P005-003190	5 - 22
437024-37330	11 - 8	A239-000030	2 - 8	P005-003200	5 - 23
437062-38330	11 - 3	A241-000060	8 - 23	P005-003210	5 - 24
890157-39131	8 - 26	A300-001841	6 - 1	P005-003220	5 - 25

**Index**

<b>Patrs Number</b>	<b>Key No.</b>	<b>Patrs Number</b>	<b>Key No.</b>	<b>Patrs Number</b>	<b>Key No.</b>
P005-003590	5 - 2	V420-001110	2 - 38		
P005-003600	5 - 3	V424-000000	8 - 7		
P005-003610	5 - 4	V450-000070	9 - 25		
P005-003620	5 - 7	V451-000470	9 - 7		
P005-003630	5 - 9	V452-000110	9 - 29		
P005-003640	5 - 31	V452-000260	8 - 21		
P005-003650	5 - 33	V452-001320	7 - 6		
P005-003660	5 - 37	V470-000321	2 - 35		
P005-003670	5 - 38	V470-000482	4 - 8		
P005-003680	5 - 39	V471-000740	1 - 18		
P005-003690	5 - 40	V471-000750	2 - 30		
P021-005581	2 - 20	V471-000760	1 - 22		
P021-005591	2 - 27	V471-001290	2 - 26		
P021-005810	9 - 6	V471-001440	2 - 25		
P021-008741	2 - 9	V475-002390	3 - 15		
P021-010890	1 - 12	V475-007430	3 - 16		
P021-039160	1 - 9	V485-000550	3 - 18		
P021-040641	2 - 2	V485-000560	8 - 1		
P021-045440	1 - 3	V485-000571	8 - 2		
P021-048570	1 - 1	V490-001230	1 - 20		
P021-048610	3 - 2	V490-001240	2 - 32		
P021-048620	9 - 8	V505-000011	1 - 11		
P022-001330	7 - 4	V553-000130	1 - 8		
P022-005891	7 - 10	V555-000170	9 - 2		
P022-008440	7 - 9	V582-000020	4 - 14		
P022-033280	7 - 5	V651-000001	9 - 12		
P022-039160	7 - 2	V651-000011	9 - 13		
V103-001510	4 - 9	V652-000030	1 - 15		
V104-001960	6 - 2	X122-000072	12 - A1		
V104-001980	6 - 6	X123-000132	12 - B1		
V130-000010	8 - 24	X222-000130	12 - A2		
V137-000000	2 - 37	X223-000080	12 - B2		
V142-000020	8 - 6	X224-000030	12 - C2		
V186-000510	2 - 34	X490-000570	10 - 1		
V202-000020	2 - 19	X502-000340	9 - 33		
V202-000020	8 - 28	X502-000410	7 - 13		
V203-000041	9 - 11	X503-013510	4 - 15		
V203-000080	3 - 10	X505-001340	4 - 16		
V224-000031	2 - 5	X505-002340	9 - 34		
V308-000030	1 - 13	X505-007100	8 - 29		
V341-000040	2 - 10	X505-007710	6 - 11		
V351-000000	4 - 5				
V353-000060	9 - 22				
V355-000140	9 - 14				
V356-000290	1 - 16				
V359-000060	4 - 4				
V376-000450	9 - 26				
V400-000070	8 - 15				
V401-000120	8 - 16				

# YAMABIKO CORPORATION

7-2 SUEHIROCHO 1-CHOME, OHME, TOKYO 198-8760, JAPAN  
PHONE: 81-428-32-6118. FAX: 81-428-32-6145.



-15H  
No. 08-022