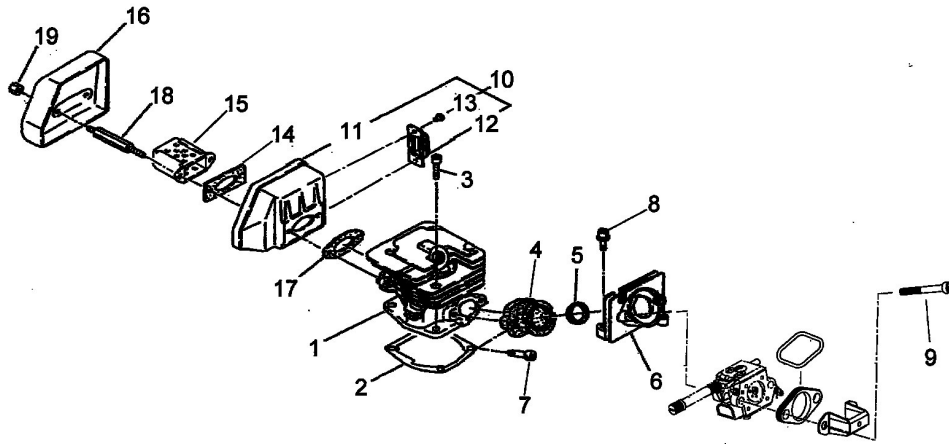


285S EC1, -1--1, CYLINDER, MUFFLER  
285S EC1, 2009/03/31



285S EC1, -1--1, CYLINDER, MUFFLER

285S EC1, 2009/03/31

Key	Lv	Part no.	Part description	Quantity	Standard B	Note1	Note2
1		A130-001400	CYLINDER	1			
2		V100-000500	GASKET CYLINDER	1			
3		V203-001200	BOLT	4			
4		A202-000110	BOOT	1			
5		V359-000200	COLLAR	1			
6		A200-000780	BRACKET	1			
7		V202-000390	BOLT ADHESIVE	2			
8		V202-000520	BOLT,4	2			
9		V203-001190	BOLT ADHESIVE	2			
10		A030-000360	BASEMUFFLER SUB ASSY	1			
11	▪	A300-001330	BASE MUFFLER	1			
12	▪	A313-001400	TAIL PLATE	1			
13	▪	91578-04006	SCREW	2			
14		A313-001410	PLATE MUFFLER	1			
15		A313-001430	PIPE MUFFLER	1			
16		A300-001310	COVER MUFFLER	1			
17		V104-001510	GASKET MUFFLER	1			
18		V203-001220	BOLT	2			
19		V263-000260	NUT,5	2			

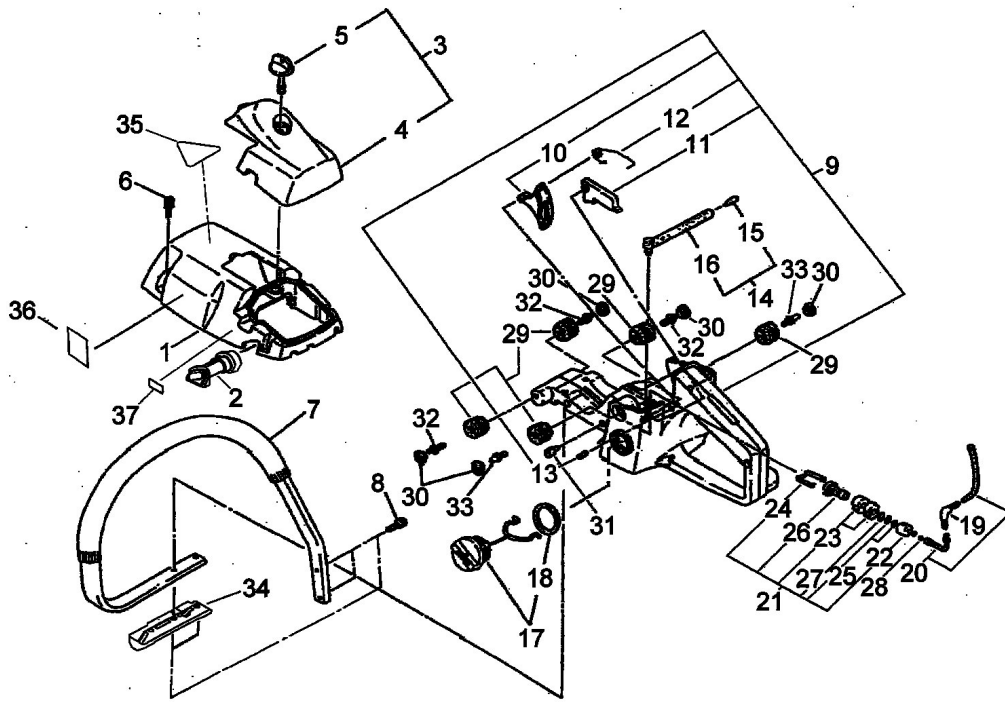


285S EC1, -1--1, CRANK CASE

285S EC1, 2009/03/31

Key	Lv	Part no.	Part description	Quantity	Standard B	Note1	Note2
1		P021-022370	CRANK CASE M COMP	1			
2	▪	A356-000130	VALVE,CHECK	1			
3	▪	900330-40080	PIN F 4*8	2	4*8		
4	▪	V592-000310	BEARING, BALL	1	6001X10JRXC 3		
5	▪	V505-000140	SEAL,OIL	1			
6		C020-000030	CAP,OIL	1			
7	▪	V106-000080	GASKET CAP	1			
8		P021-022390	CRANK CASE COMP	1			
9	▪	V225-000130	BOLT BAR	2			
10	▪	V592-000330	BEARING, BALL	1	6201X3C3		
11	▪	V505-000140	SEAL,OIL	1			
12		V203-000370	BOLT ADHESIVE	3			
13		V203-001230	BOLT ADHESIVE	1			
14		V203-001240	BOLT ADHESIVE	2			
15		A045-000430	SWITCH ASSY	1			
16	▪	V136-000110	GROMMET	1			
17		V102-000120	GASKET CASE	1			
18	▪	V266-000090	NUT,10	1			
19	▪	A045-000430	SWITCH ASSY	1			

285S EC1, -1--1, HANDLE  
285S EC1, 2009/03/31



285S EC1, -1--1, HANDLE  
285S EC1, 2009/03/31

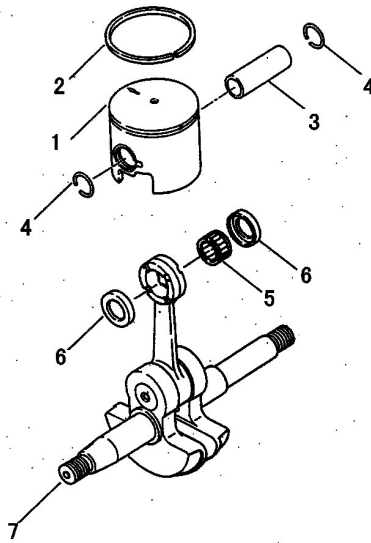
Key	Lv	Part no.	Part description	Quantity	Standard B	Note1	Note2
1		A160-001880	CYLINDER COVER	1			
2		V131-000040	GROMMET	1			
3		A232-000960	CLEANER BODY	1			
4	▪	A232-000950	CLEANER COVER	1			
5	▪	A235-000280	KNOB CLEANER COVER	1			
6		V202-000470	BOLT ADHESIVE	3			
7		C040-000460	FRONT HANDLE	1	ALUMINUM		
8		V202-000400	BOLT TAPPING	4			
9		C041-000150	REAR HANDLE SUB ASSY	1			
10	▪	C450-000600	THROTTLE LEVER	1			
11	▪	C460-000260	LOCK LEVER	1			
12	▪	V452-000720	COIL SPRING	1			
13	▪	93060-40250	PIN, SPRING	2			
14		A356-000110	BREATHER ASSY	1			
15	▪	A356-000120	ELEMENT	1			
16	▪	V470-001240	PIPE	1			
17		A033-000350	CAP,FUEL	1			
18	▪	V106-000080	GASKET CAP	1			
19		V186-000280	JOINT	1			
20		V470-001260	FUEL PIPE	1			
21		131205-19832	STRAINER, FUEL	1			
22	▪	A369-000131	STRAINER, FUEL	1			
23	▪	A371-000000	ELEMENT,STRAINER	2			
24	▪	V490-000750	CLIP FILTER	1			
25	▪	A371-000010	ELEMENT	2			
26	▪	A372-000000	SLEEVE	1			
27	▪	V583-000200	RING	1			
28		V490-000500	CLIP	1			
29		V401-000240	CUSHION 22	5			
30		V421-000010	PLUG 22	5			
31		V420-002660	SUPPORTER	1			
32		V203-001380	BOLT HILO	3			
33		V203-001250	STOP BOLT 22	2			
34		A175-000230	STAND	1			
35		X505-003790	LABEL,CAUTION	1			
36		X508-000260	LABEL DECIBEL	1		110dB(A)	

285S EC1, -1--1, HANDLE

285S EC1, 2009/03/31

Key	Lv	Part no.	Part description	Quantity	Standard B	Note1	Note2
37		19401-00094	LABEL INST	1			

285S EC1, -1--1, PISTON  
285S EC1, 2009/03/31



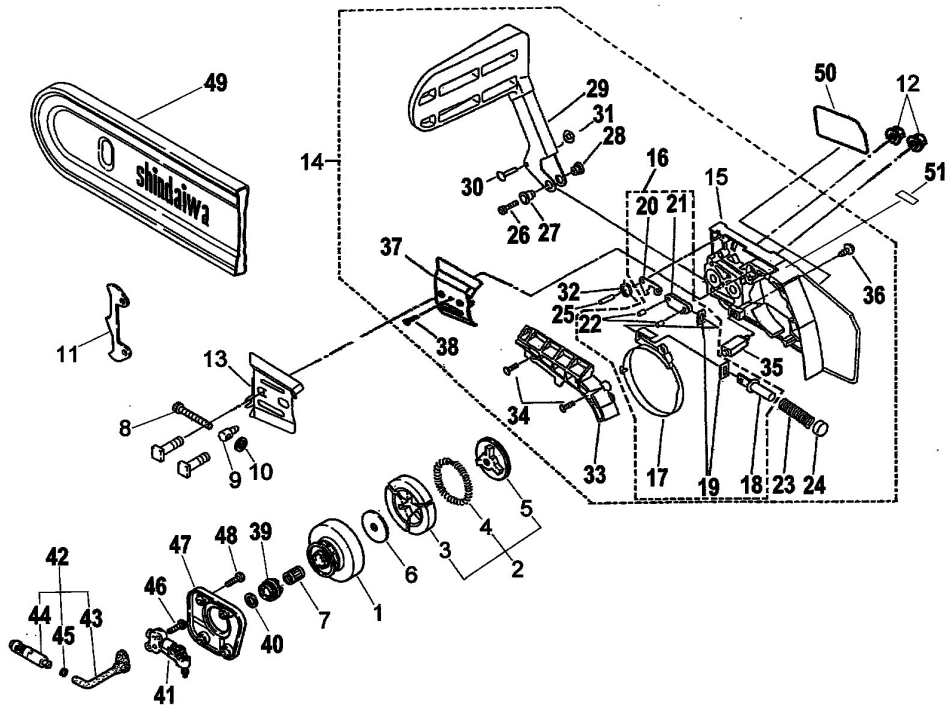


285S EC1, -1--1, PISTON

285S EC1, 2009/03/31

Key	Lv	Part no.	Part description	Quantity	Standard B	Note1	Note2
1		A100-000740	PISTON	1			
2		A101-000410	PISTON RING	1			
3		V608-000060	PISTON PIN	1			
4		V580-000110	SNAP RING	2			
5		V555-000090	NEEDLE BEARING	1			
6		V307-000260	THRUST WASHER	2			
7		A011-000940	CRANK SHAFT ASSY	1			

285S EC1, -1--1, CLUTCH  
285S EC1, 2009/03/31



285S EC1, -1--1, CLUTCH  
285S EC1, 2009/03/31

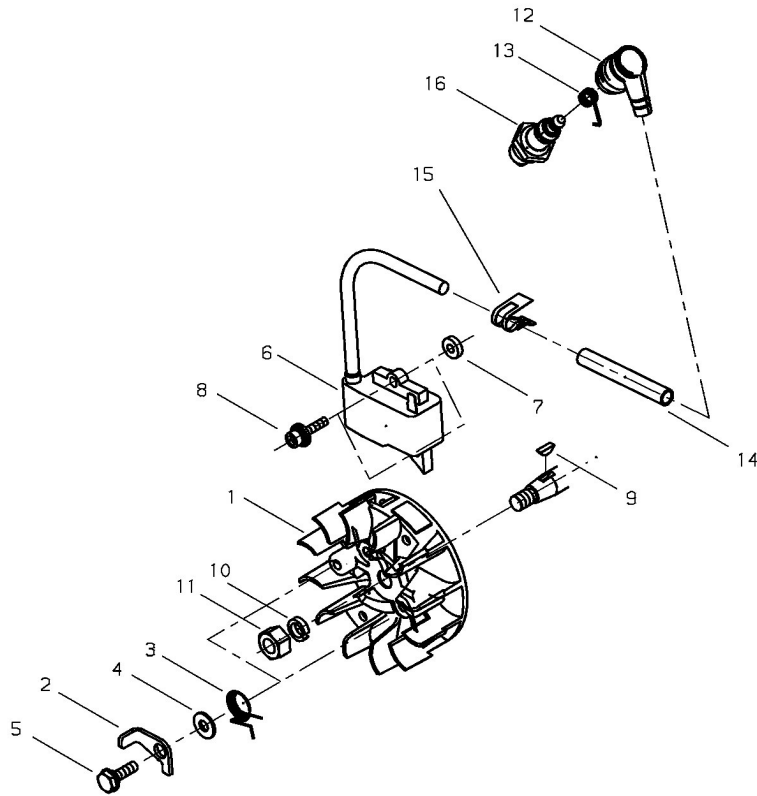
Key	Lv	Part no.	Part description	Quantity	Standard B	Note1	Note2
1		A556-000970	CLUTCH DRUM	1			
2		A056-000540	CLUTCH ASSY	1			
3	·	A555-000150	CLUTCH SHOE	3			
4	·	V451-000890	CLUTCH SPRING	1			
5	·	A552-000150	CLUTCH BOSS B	1			
6		A552-000160	CLUTCH BOSS A	1			
7		V555-000110	BEARING,NEEDLE 10	1			
8		V253-000590	SLIDE SCREW	1			
9		C309-000110	TENSIONER,CHAIN	1			
10		V260-000020	PUSH NUT	1			
11		C304-000090	SPIKE	1			
12		V265-000200	NUT	2			
13		C305-000120	GUIDE PLATE	1			
14		P021-029760	CLUTCH COVER ASSY	1			
15	·	C300-000500	CLUTCH COVER	1			
16	·	P021-026130	BRAKE BAND COMP	1			
17	··	C328-000130	BRAKE BAND	1			
18	··	C334-000320	CONNECTOR, BRAKE	1			
19	··	C329-000020	ADJUST PLATE	2			
20	··	C334-000140	INNER LEVER	1			
21	··	C334-000150	TIE STRAP	1			
22	··	900330-40080	PIN F 4*8	2	4*8		
23	·	V450-001040	BRAKE SPRING	1			
24	·	V456-000170	STOPPER	1			
25	·	93050-40138	ROLLER	1	F-4*13.8		
26	·	900105-04012	BOLT, H.S. 4*12	1	4*12		
27	·	V352-000160	HOLDER	1			
28	·	V262-000140	NUT LEVER	1			
29	·	C320-000200	LEVER	1			
30	·	V641-000160	PIN LEVER	1			
31	·	V262-000150	NUT	1			
32	·	V452-000900	SPRING LEVER	1			
33	·	C345-000370	COVER	1			
34	·	91374-04012	SCREW TAPPING	2			
35	·	C310-000040	CHAIN CATCHER	1			
36	·	91439-03010	SCREW TRUSS T	1			

285S EC1, -1--1, CLUTCH  
285S EC1, 2009/03/31

Key	Lv	Part no.	Part description	Quantity	Standard B	Note1	Note2
37	·	C305-000130	GUIDE PLATE B	1			
38	·	91374-04008	SCREW TAPPING	1			
39		V652-000170	GEAR	1			
40		V307-000330	THRUST PLATE	1			
41		C022-000121	AUTO-OILER ASSEMBLY	1			
42		C021-000000	OIL PIPE ASSY	1			

43	·	V470-001280	OIL PIPE	1			
44	·	C209-000050	OIL FILTER	1			
45	·	V490-000720	CLIP OIL	1			
46		91573-04012	SCREW PM	2			
47		C236-000020	PUMP COVER	1			
48		91573-04012	SCREW PM	4			
49		X490-000410	CHAIN COVER	1			
50		69018-91321	LABEL TRADE	1			
51		X532-001130	LABEL INST	1			

285S EC1, -1--1, MAGNETO  
285S EC1, 2009/03/31

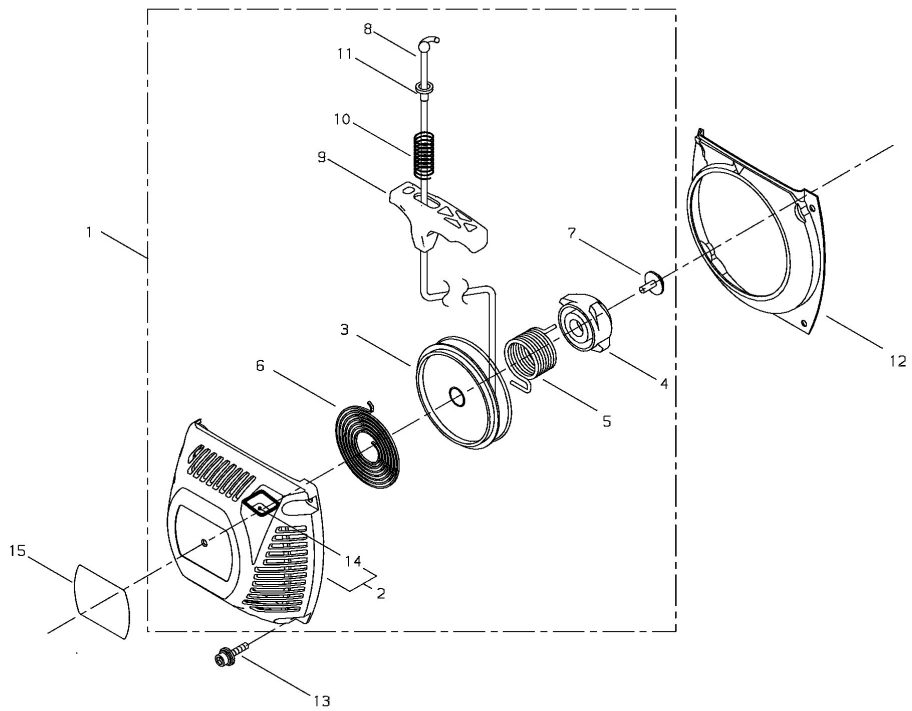


285S EC1, -1--1, MAGNETO

285S EC1, 2009/03/31

Key	Lv	Part no.	Part description	Quantity	Standard B	Note1	Note2
1		A409-000750	ROTOR	1			
2		A514-000220	PAWL	2			
3		V452-000870	SPRING,TORSION	2			
4		V304-000270	WASHER,CIRCULAR 6	2			
5		V204-000620	BOLT	2			
6		A411-000900	COIL ASSY	1			
7		V375-000360	INSULATOR	2			
8		V202-000430	BOLT SPW	2			
9		93115-03010	KEY	1	3*10		
10		900605-00008	WASHER, SPRING 8	1	8		
11		V265-000180	NUT	1			
12		A427-000060	CAP,SPARK PLUG	1			
13		A426-000040	TERMINAL,SPARKPLUG	1			
14		V475-005180	TUBE	1			
15		V490-000700	CLIP	1			
16		159010-10230	PLUG, SPARK (BPMR-7A	1	BPMR-7A	BPMR7A	

285S EC1, -1--1, RECOIL STARTER  
285S EC1, 2009/03/31



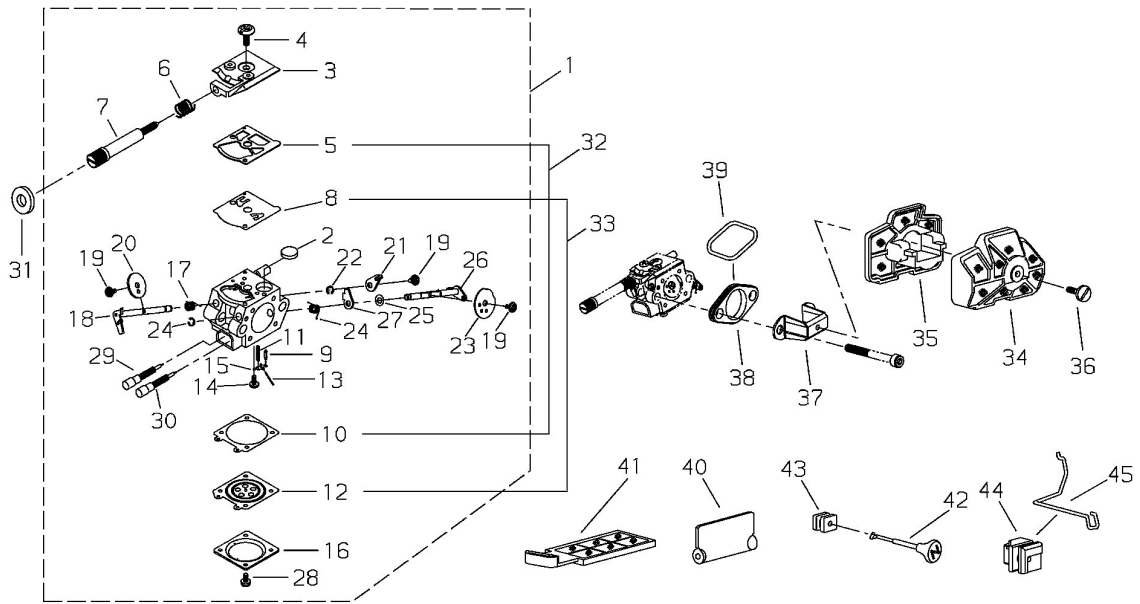
285S EC1, -1--1, RECOIL STARTER

285S EC1, 2009/03/31

Key	Lv	Part no.	Part description	Quantity	Standard B	Note1	Note2
1		A051-001870	RECOIL STARTER ASSY	1			
2	▪	P022-025020	STARTER CASE	1			
3	▪	A506-000390	REEL	1			
4	▪	A507-000050	CATCHER,PAWL	1			
5	▪	V452-000730	COIL SPRING	1			
6	▪	P022-006250	SPRING,SPIRAL	1			
7	▪	V253-000640	SCREW	1			
8	▪	A509-000380	ROPE	1			
9	▪	A511-000230	NOB	1			
10	▪	V450-001170	SPRING,COMPRESSION	1			
11	▪	V376-001400	SPACER	1			
12		A172-001380	AIR PLATE	1			
13		V202-000430	BOLT SPW	4			
14	▪	A510-000130	GUIDE,ROPE	1			
15		X504-003350	LABEL TRADE	1			



285S EC1, -1--1, CABURETOR  
285S EC1, 2009/03/31



285S EC1, -1--1, CABURETOR  
285S EC1, 2009/03/31

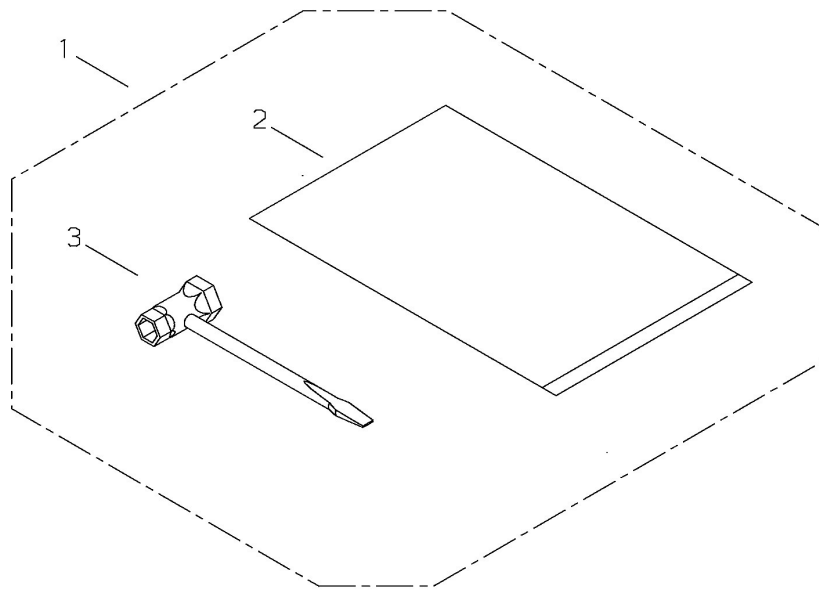
Key	Lv	Part no.	Part description	Quantity	Standard B	Note1	Note2
1		A021-002770	CARBURETOR ASSY	1			
2	•	123126-10631	SCREEN, INLET	1			
3	•	P003-001380	COVER, FUEL PUMP	1			
4	•	123110-03930	SCREW, PUMP COVER	1			
5	•	123125-15030	GASKET, FUEL PUMP	1			
6	•	123133-04260	SPRING, IDLE ADJUST	1			
7	•	P003-003030	IDLE SCREW	1			
8	•	123112-15030	DIAPHRAGM, FUEL PUMP	1			
9	•	123137-19830	VALVE, INLET NEEDLE	1			
10	•	123140-27230	GASKET, M. DIAPHRAGM	1			
11	•	123122-03660	SPRING, METER. LEVER	1			
12	•	123141-03930	DIAPHRAGM, METERING	1			
13	•	123138-03930	PIN, METERING LEVER	1			
14	•	123139-03930	SCREW, M. LEVER PIN	1			
15	•	123123-38330	LEVER, METERING	1			
16	•	123142-03930	COVER, M. DIAPHRAGM	1			
17	•	123113-03930	SPRING, THRT. RETURN	1			
18	•	P003-000480	SHAFT, THROTTLE	1			
19	•	123114-38830	SCREW	3			
20	•	P003-000310	VALVE THROTTLE	1			
21	•	P003-003470	CONTROL, THROTTLE	1			
22	•	123127-15030	RING	2			
23	•	P003-001410	VALVE, CHOKE	1			
24	•	P003-000140	SPRING	1			
25	•	123149-26030	WASHER	1			
26	•	P003-003190	SHAFT	1			
27	•	P003-000430	LEVER-FAST IDLE	1			
28	•	123130-02960	SCREW	4			
29	•	69022-81320	NEEDLE	1			
30	•	69022-81330	NEEDLE	1			
31		V540-000290	SEAL COLLAR	1			
32		P022-025030	GASKET SET	1			
33		22128-81910	DIAPHRAGM KIT	1			
34		A226-000790	AIR CLEANER UPPER	1		PA6	
35		A226-000800	AIR CLEANER LOWER	1		PA6	
36		V252-000390	SCREW	1			

285S EC1, -1--1, CABURETOR  
285S EC1, 2009/03/31

Key	Lv	Part no.	Part description	Quantity	Standard B	Note1	Note2
37		E617-000040	BRACKET	1			
38		A565-000030	BRACKET	1			
39		92508-02242	O RING	1			
40		A219-000010	SHUTTER	1			
41		A226-000780	AIR CLEANER	1			
42		A240-000030	CHOKE ROD	1			

43	V130-000060	GROMMET CHOKE	1			
44	V133-000000	GROMMET ROD	1			
45	C454-000200	THROTTLE ROD	1			

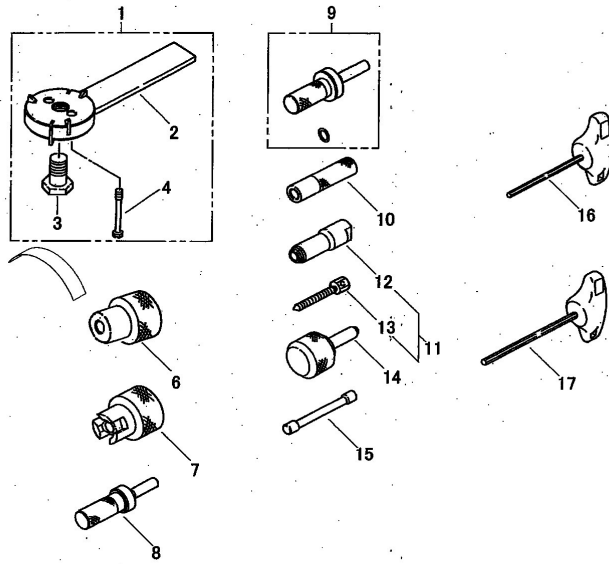
285S EC1, -1--1, TOOL  
285S EC1, 2009/03/31



285S EC1, -1--1, TOOL  
285S EC1, 2009/03/31

Key	Lv	Part no.	Part description	Quantity	Standard B	Note1	Note2
1		P021-029790	TOOL SET	1			
2	·	X705-000130	POLY BAG	1			
3	·	X602-000150	PLUG WRENCH	1			

285S EC1, -1--1, OPTION TOOL  
285S EC1, 2009/03/31



285S EC1, -1--1, OPTION TOOL

285S EC1, 2009/03/31

Key	Lv	Part no.	Part description	Quantity	Standard B	Note1	Note2
1		22154-96100	PULLER ASSY	1			
2	▪	X640-000290	TOOL,PULLER	1			
3	▪	V209-000090	BOLT,16	1			
4	▪	V204-001420	BOLT,6	2			
5		X623-000030	AIR GAP GAUGE	1			
6		22154-96220	SET GAUGE	1			
7		X646-000370	TOOL,PRESS	1			
8		X646-000110	TOOL,PRESS	1			
9		X646-000120	TOOL,PRESS	1			
10		22154-96440	ROD OIL SEAL OUT	1			
11		X640-000380	TOOL,PULLER	1			
12	▪	22150-96610	PULLER M	1			
13	▪	22150-96620	BOLT	1			
14		22154-96460	PLUG BUSH	1			
15		X644-000040	TOOL,SHAFT LOCK	1			
16		X602-000350	TOOL,WRENCH	1	HEX3 クリップツキ		
17		X602-000220	T WRENCH 5	1			