

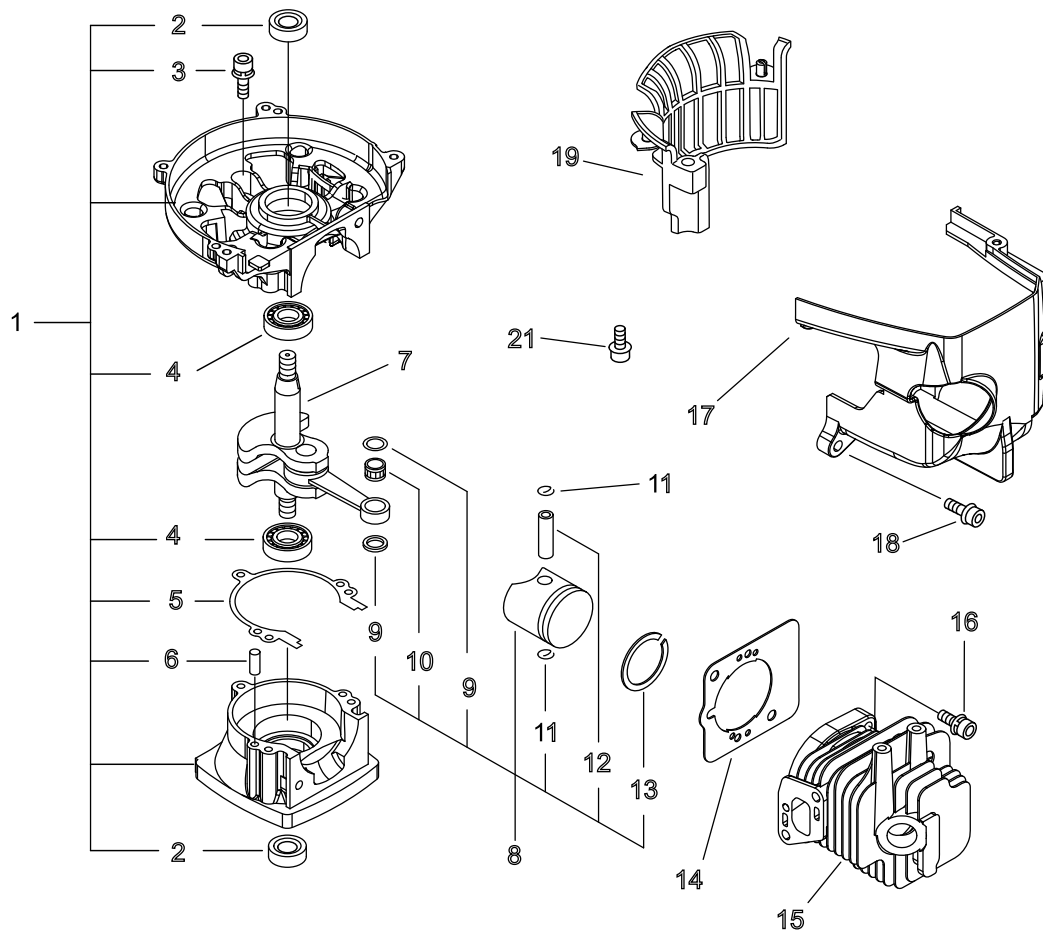


PARTS CATALOGUE

HEDGE TRIMMER HCR-161ES(36)

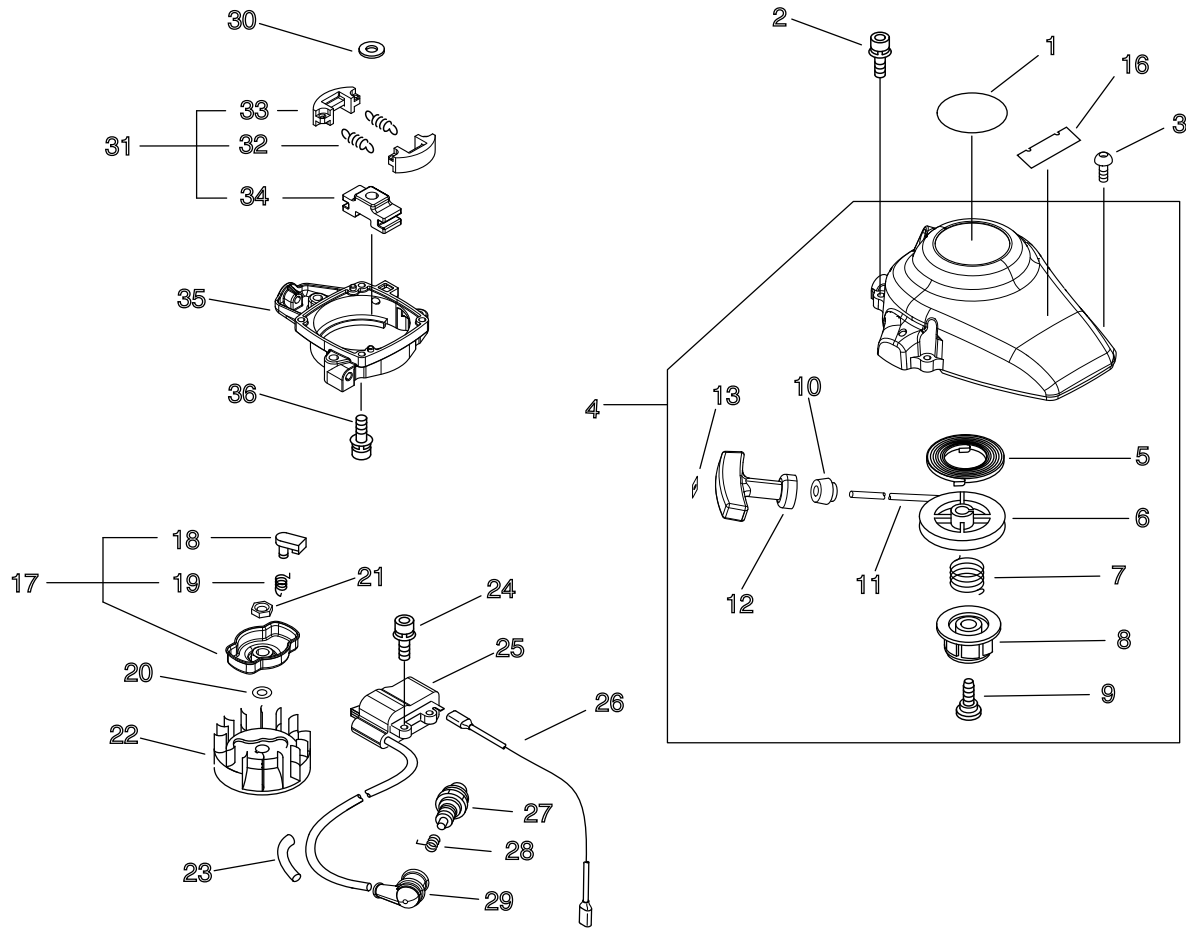
36020833 -

1. CYLINDER, CRANKCASE, PISTON



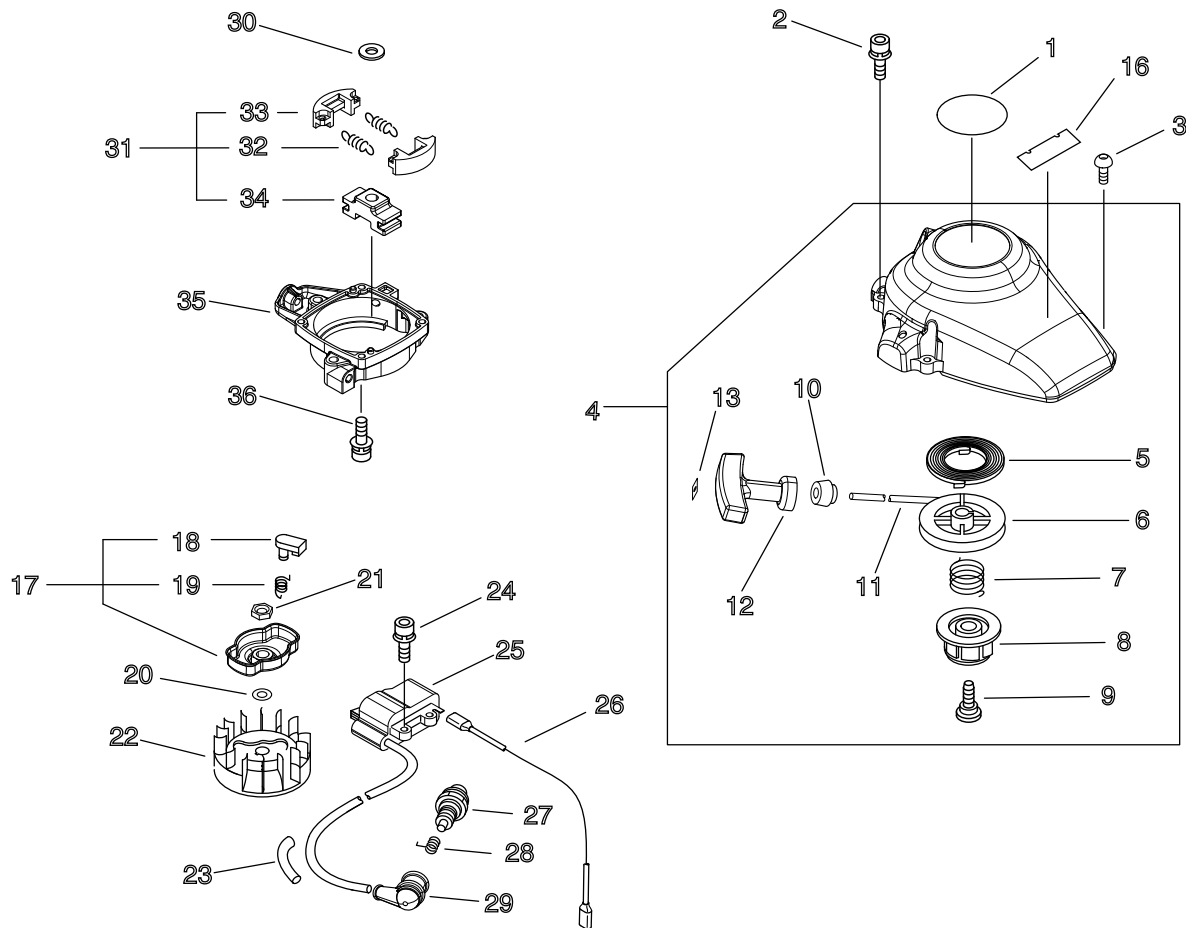
| KEY | LV | PART NUMBER | Q'TY | DESCRIPTION | REMARKS | NOTE1 | NOTE2 |
|-----|----|--------------|------|---------------------|----------------|----------------------|-------|
| 1 | | 100204-52133 | 1 | CRANKCASE KIT | | | |
| 2 | + | 100212-42031 | 2 | OILSEAL | ISCD 12*22*4.5 | | |
| 3 | + | 900162-05028 | 3 | BOLT, H.S. 5*28 | 5*28 W,SW | | |
| 4 | + | 94035-36201 | 2 | BEARING BALL | 6201X3JR2C3 | | |
| 5 | + | 100242-42030 | 1 | GASKET, CRANKCASE | | | |
| 6 | + | 100215-03930 | 2 | PIN, DOWEL | | Sus. by 900330-40080 | |
| 6 | + | 900330-40080 | 2 | PIN F 4*8 | 4*8 | | |
| 7 | | A011-000223 | 1 | CRANKSHAFT,ASM | | | |
| 8 | | P021-007772 | 1 | PISTON KIT | | | |
| 9 | + | 100014-08960 | 2 | SPACER, PISTON PIN | | | |
| 10 | + | 100113-05930 | 1 | BEARING, NEEDLE | 8*12*8 | | |
| 11 | + | 100015-04630 | 2 | CIRCLIP, PISTON PIN | | | |
| 12 | + | 100013-11520 | 1 | PIN, PISTON | | | |
| 13 | + | A101-000090 | 1 | RING,PISTON | | | |
| 14 | | V100-000160 | 1 | GASKET,CYL | | | |
| 15 | | A130-000550 | 1 | CYLINDER | | | |
| 16 | | 900162-05022 | 2 | BOLT, H.S. 5*22 | 5*22 W,SW | | |
| 17 | | A160-000880 | 1 | COVER,CYLINDER | | | |
| 18 | | 91121-05016 | 1 | BOLT, FLANGE | 10.9 SILVER | | |
| 19 | | A127-000170 | 1 | COVER,DUST | | | |
| 21 | | 91118-05016 | 1 | BOLT | CM-5*16 | | |

2. STARTER, MAGNETO, CLUTCH



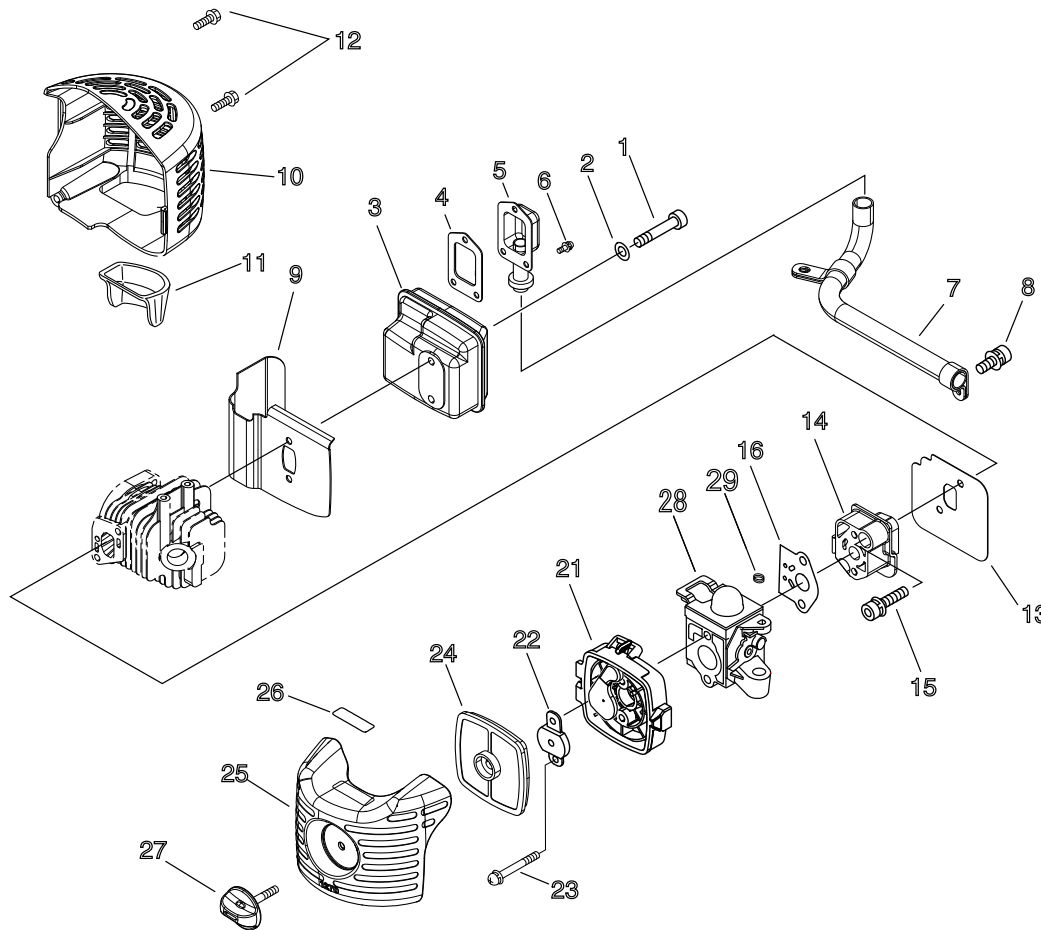
| KEY | LV | PART NUMBER | Q'TY | DESCRIPTION | REMARKS | NOTE1 | NOTE2 |
|-----|----|--------------|------|--------------------|---------|--------------------------|-------|
| 1 | | X502-000330 | 1 | LABEL,ECHO | ECHO | Sus. by X502-000890 | |
| 1 | | X502-000890 | 1 | LABEL,ECHO | | | |
| 2 | | V202-000090 | 4 | BOLT,4 | 4*16 | | |
| 3 | | V202-000030 | 1 | BOLT,4 | | | |
| 4 | | A051-001110 | 1 | STARTER,RECOIL ASY | | Sus. by A051-001111 | |
| 4 | | A051-001111 | 1 | STARTER,RECOIL ASY | コイルンパ全軸 | Sr/Nr 36022838 and after | |
| 5 | + | 177220-42030 | 1 | SPRING, REWIND | | | |
| 6 | + | P022-006830 | 1 | DRUM | | Sus. by P050-009910 | |
| 6 | + | P022-034080 | 1 | DRUM | | Sr/Nr 36022838 and after | |
| 7 | + | V452-000150 | 1 | SPRING,TORSION | | Sus. by P050-009910 | |
| 7 | + | V452-000150 | | SPRING,TORSION | | Sr/Nr 36022838 and after | |
| 8 | + | A507-000030 | 1 | CATCHER,PAWL | | Sus. by P050-009910 | |
| 8 | + | P022-034090 | 1 | PLATE | | Sr/Nr 36022838 and after | |
| 9 | + | 177236-61830 | 1 | SCREW | | | |
| 10 | + | 177227-42030 | 1 | GUIDE, ROPE | | | |
| 11 | + | P022-008260 | 1 | ROPE | 3M/M | | |
| 12 | + | 177228-27030 | 1 | GRIP, STARTER | | | |

2. STARTER, MAGNETO, CLUTCH



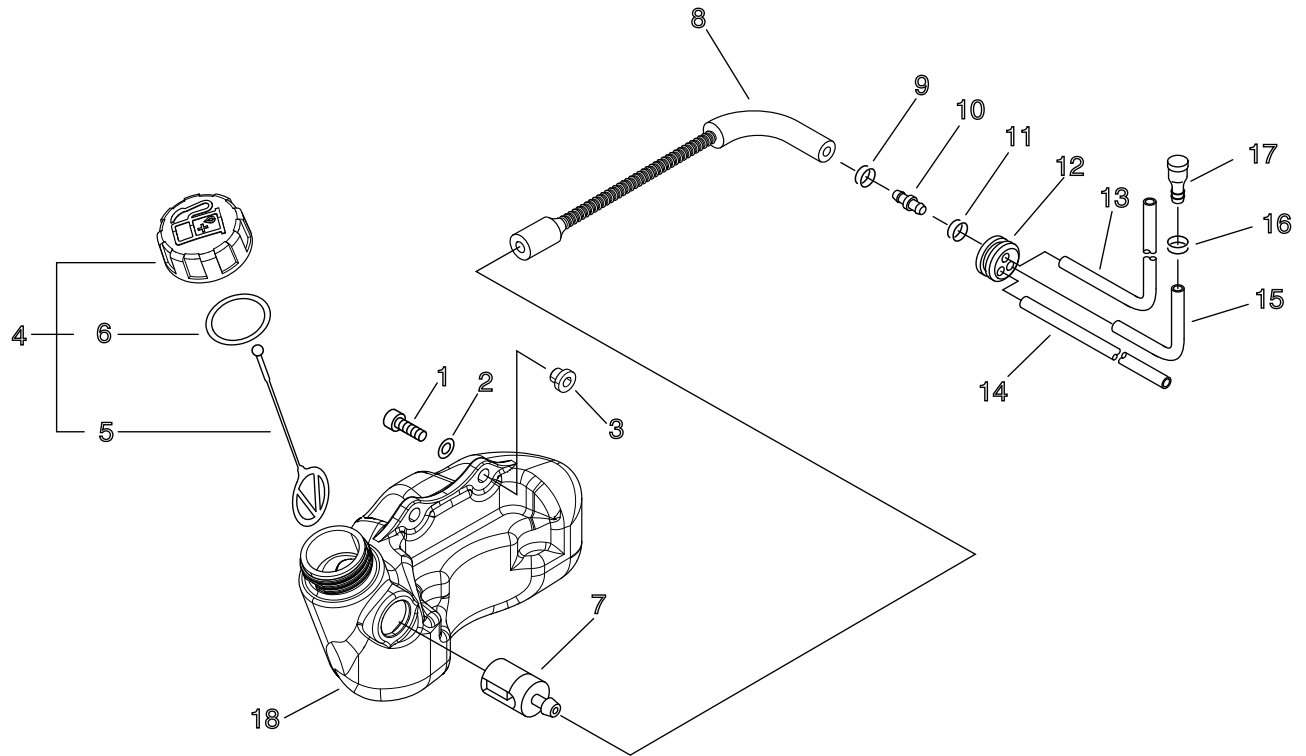
| KEY | LV | PART NUMBER | Q'TY | DESCRIPTION | REMARKS | NOTE1 | NOTE2 |
|-----|----|--------------|------|--------------------|------------------|-------|-------|
| 13 | + | 177246-11120 | 1 | CLIP, STARTER ROPE | | | |
| 16 | | X503-007710 | 1 | LABEL,MODEL | HCR-161ES | | |
| 17 | | A052-000210 | 1 | PULLEY,ASM STARTER | | | |
| 18 | + | P022-020030 | 2 | PAWL, STARTER | | | |
| 19 | + | P022-007980 | 2 | SPRING, RETURN | | | |
| 20 | | 900600-00008 | 1 | WASHER 8 | 8 | | |
| 21 | | 900512-00008 | 1 | NUT 3N 8 (L-H) | 3N 8 | | |
| 22 | | A409-000210 | 1 | ROTOR,MAGNETO | | | |
| 23 | | V475-001610 | 1 | TUBE | 7*8.6*55 HST-10 | | |
| 24 | | 91113-04020 | 2 | BOLT | CM-4*20 SW,W | | |
| 25 | | A411-000130 | 1 | COIL,IGNITION | | | |
| 26 | | V485-000870 | 1 | LEAD | L=190,#187,CA104 | | |
| 27 | | A425-000000 | 1 | SPARKPLUG | BPMR8Y | | |
| 28 | | A426-000010 | 1 | TERMINAL,SPARKPLUG | | | |
| 29 | | A427-000013 | 1 | CAP, SPARK PLUG | | | |
| 30 | | 610350-12360 | 1 | WASHER | | | |
| 31 | | A056-000190 | 1 | CLUTCH ASY | M8*1.25 | | |
| 32 | + | A566-000000 | 2 | SPRING, CLUTCH | | | |
| 33 | + | 175017-44331 | 2 | SHOE, CLUTCH | | | |
| 34 | + | A552-000080 | 1 | HUB, CLUTCH | | | |
| 35 | | A570-000140 | 1 | CASE,CLUTCH | | | |
| 36 | | 900163-04016 | 4 | BOLT HSH | | | |

3. AIR CLEANER, CARBURETOR



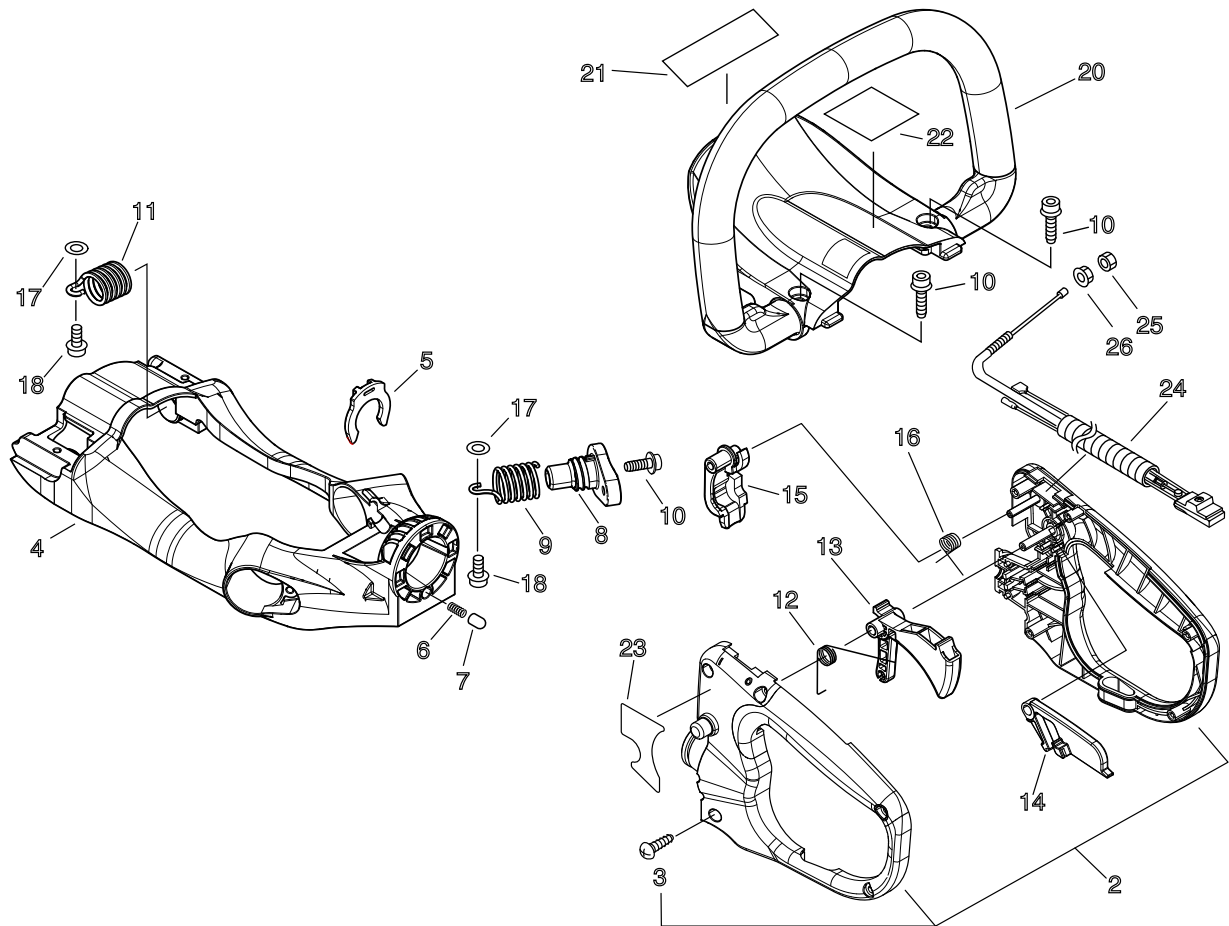
| KEY | LV | PART NUMBER | Q'TY | DESCRIPTION | REMARKS | NOTE1 | NOTE2 |
|-----|----|--------------|------|-----------------------|-------------|-------|-------|
| 1 | | 900105-05055 | 2 | BOLT, H.S. 5*55 | 5*55 | | |
| 2 | | 900600-00005 | 2 | WASHER 5 | 5 | | |
| 3 | | 145806-42030 | 1 | MUFFLER | | | |
| 4 | | 145866-42031 | 1 | GASKET, MUFFLER LID | | | |
| 5 | | A313-000870 | 1 | GUIDE, EXHAUST | | | |
| 6 | | 900242-04010 | 3 | SCREW 4*10 | 4*10 | | |
| 7 | | A313-000880 | 1 | GUIDE, EXHAUST | | | |
| 8 | | 91107-04010 | 1 | BOLT, FLANGE | M4*10 | | |
| 9 | | V104-000850 | 1 | GASKET, EXHAUST | T1.0 | | |
| 10 | | A320-000430 | 1 | COVER, MUFFLER | | | |
| 11 | | A323-000010 | 1 | PIECE, COVER | | | |
| 12 | | 91121-05016 | 2 | BOLT, FLANGE | 10.9 SILVER | | |
| 13 | | V103-000180 | 1 | GASKET, INTAKE | | | |
| 14 | | A200-000300 | 1 | INSULATOR, INTAKE | | | |
| 15 | | 900162-05025 | 2 | BOLT, H.S. 5*25 | 5*25 W, SW | | |
| 16 | | V103-000410 | 1 | GASKET, INTAKE | T.0.5 | | |
| 21 | | A225-000240 | 1 | CASE, CLEANER | | | |
| 22 | | 129011-52730 | 1 | PLATE, PREVENT | | | |
| 23 | | 900242-05065 | 2 | SCREW 5*65 | 5*65 | | |
| 24 | | A226-001410 | 1 | ELEMENT, AIR FILTER | | | |
| 25 | | A232-000400 | 1 | LID, CLEANER | | | |
| 26 | | 890332-52730 | 1 | LABEL, CHOKE | | | |
| 27 | | V299-000250 | 1 | KNOB, FASTENER | | | |
| 28 | | A021-001671 | 1 | CARBURETOR, DIAPHRAGM | | | |
| 29 | | V490-001100 | 1 | CLIP | | | |

4. FUEL TANK



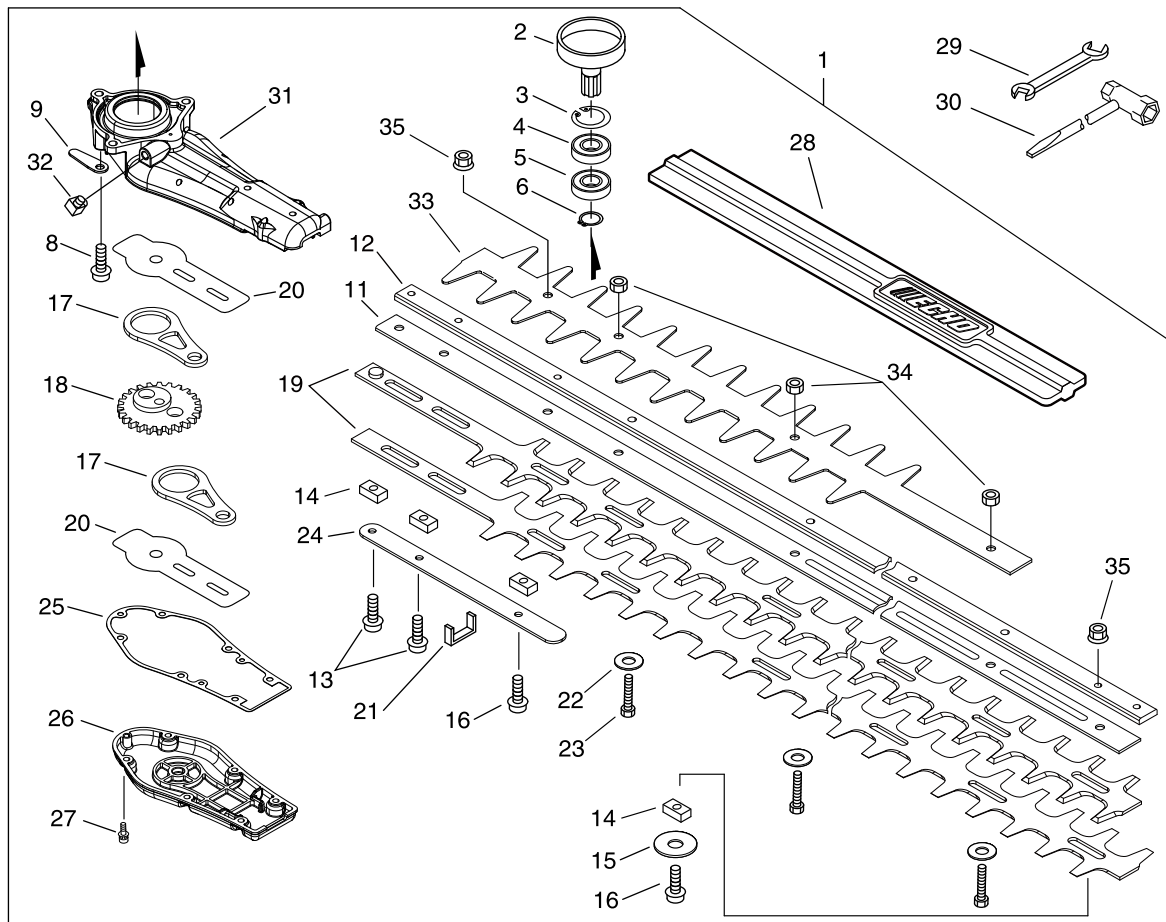
| KEY | LV | PART NUMBER | Q'TY | DESCRIPTION | REMARKS | NOTE1 | NOTE2 |
|-----|----|--------------|------|------------------|--------------|---------------------|-------|
| 1 | | 91118-05020 | 3 | BOLT | CM-5*20 | | |
| 2 | | 900603-00005 | 3 | WASHER 5 | 5.5*12*0.8 | | |
| 3 | | V353-000231 | 3 | COLLAR,5 | 16*5.5 L6 T2 | | |
| 18 | | A350-000590 | 1 | TANK, FUEL | | | |
| 4 | | P021-012210 | 1 | CAP, FUEL ASY | | | |
| 5 | + | A365-000060 | 1 | CONNECTOR, CAP | L=123 | | |
| 6 | + | 131016-55830 | 1 | GASKET, FUEL CAP | | | |
| 7 | | 131205-07320 | 1 | STRAINER, FUEL | | | |
| 8 | | 132012-12361 | 1 | PIPE | | | |
| 9 | | 132013-26630 | 1 | CLIP | 6.5MM | Sus. by V490-001230 | |
| 9 | | V490-001230 | 1 | CLIP | | | |
| 10 | | V186-000020 | 1 | JOINT, PIPE | | Sus. by V186-000510 | |
| 10 | | V186-000510 | 1 | JOINT, PIPE | | | |
| 11 | | 132013-09820 | 1 | CLIP | 6MM | Sus. by V490-001240 | |
| 11 | | V490-001240 | 1 | CLIP | | | |
| 12 | | 132115-55930 | 1 | GROMMET, FUEL | | | |
| 13 | | 130110-54430 | 1 | PIPE, IMPULSE | 3*6*105 NBR | | |
| 14 | | 132010-40830 | 1 | PIPE 3*6*75 | 3*6*75 YL | | |
| 15 | | V471-001880 | 1 | PIPE | 3*6*65 | | |
| 16 | | 437411-19830 | 1 | CLIP, OIL PIPE | | | |
| 17 | | A356-000031 | 1 | VALVE, CHECK | | | |

5. HANDLE



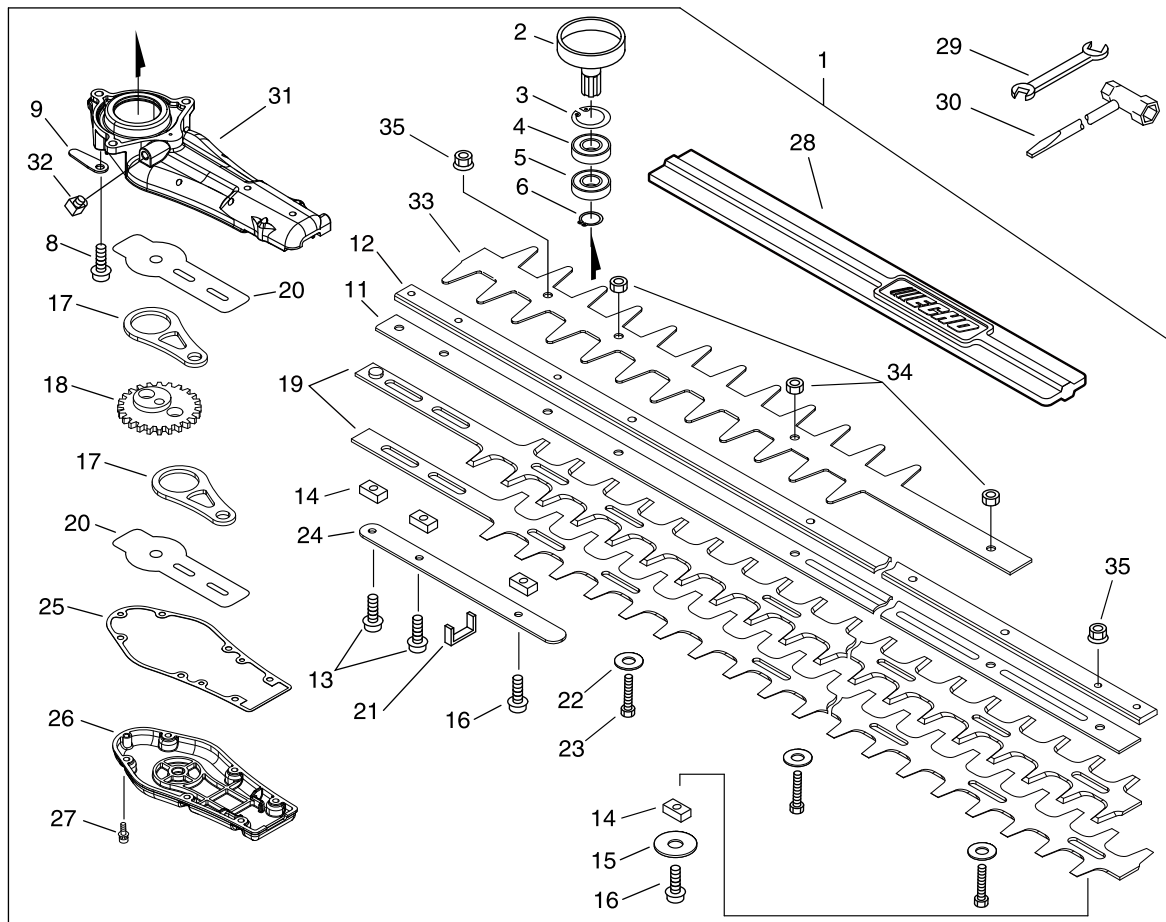
| KEY | LV | PART NUMBER | Q'TY | DESCRIPTION | REMARKS | NOTE1 | NOTE2 |
|-----|----|--------------|------|---------------------|------------|-------|-------|
| 2 | | P021-013051 | 1 | HANDLE SET, REAR | | | |
| 3 | + | 900256-04016 | 5 | SCREW 4*16 | | | |
| 4 | | C600-000860 | 1 | FRAME | | | |
| 5 | | C423-000280 | 1 | FIXTURE, HANDLE | | | |
| 6 | | V450-000630 | 1 | SPRING, COMPRESSION | 5.1/3.5 | | |
| 7 | | 605611-13360 | 1 | PIN | | | |
| 8 | | V456-000040 | 2 | HOLDER, SPRING | | | |
| 9 | | V450-000610 | 2 | SPRING, COMPRESSION | | | |
| 10 | | 91147-05020 | 4 | BOLT HS FL TAPP | | | |
| 11 | | V450-000620 | 2 | SPRING, COMPRESSION | | | |
| 12 | | V452-000300 | 1 | SPRING, TORSION | | | |
| 13 | | C450-000250 | 1 | CONTROL, THROTTLE | | | |
| 14 | | C460-000090 | 1 | LOCKOUT, THROTTLE | | | |
| 15 | | C427-000020 | 1 | STOPPER, HANDLE | | | |
| 16 | | V452-000310 | 1 | SPRING, TORSION | | | |
| 17 | | 900603-00005 | 4 | WASHER 5 | 5.5*12*0.8 | | |
| 18 | | 900106-05016 | 4 | BOLT, H.S. 5*16 | 5*16 | | |
| 20 | | C400-000480 | 1 | HANDLE, FRONT | | | |
| 22 | | X505-002030 | 1 | LABEL, CAUTION | 37*35 | | |
| 23 | | X532-000740 | 1 | LABEL, OPERATION | | | |
| 24 | | P021-015250 | 1 | CABLE, ASM CONTROL | | | |
| 25 | | 900502-00006 | 1 | NUT 6 (3N) | 3N6 | | |
| 26 | | 900515-00006 | 1 | NUT, FLANGE 6 | 6 | | |

6. GEAR CASE, CUTTER



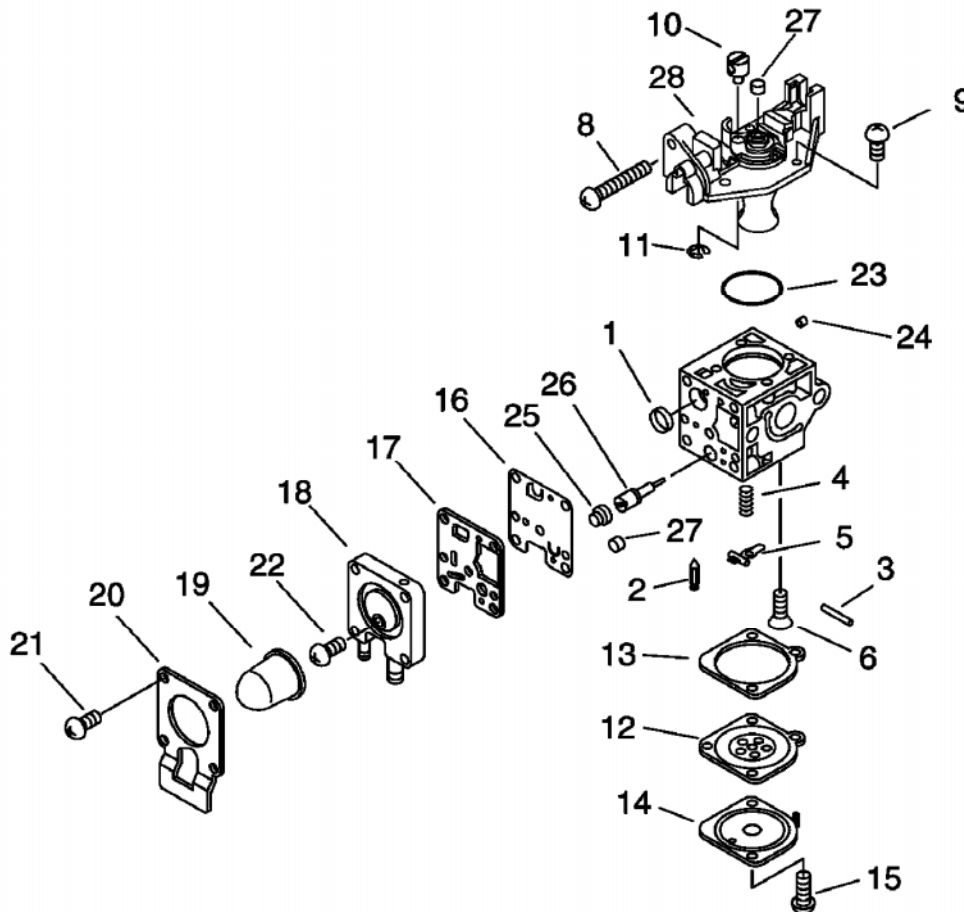
| KEY | LV | PART NUMBER | Q'TY | DESCRIPTION | REMARKS | NOTE1 | NOTE2 |
|-----|----|--------------|------|--------------------|--------------|-------|-------|
| 1 | | P021-041740 | 1 | CASE, GEAR ASY | | | |
| 2 | + | A556-000470 | 1 | DRUM, CLUTCH | | | |
| 3 | + | 900702-00035 | 1 | CIRCLIP 35 | CR-35 | | |
| 4 | + | 900812-06202 | 1 | BEARING, BALL 6202 | 6202DDU(LLU) | | |
| 5 | + | 900810-36202 | 1 | BEARING, BALL 6202 | 6202/C3 | | |
| 6 | + | 900701-00014 | 1 | CIRCLIP 14 | CS-14 | | |
| 8 | + | 91107-06020 | 3 | BOLT HSH FLANGE | M6*20 | | |
| 9 | + | C628-000030 | 1 | PIECE, PLATE | | | |
| 34 | + | 433022-06460 | 3 | NUT | | | |
| 11 | + | X425-000840 | 1 | SUPPORT, CUTTER | | | |
| 12 | + | X425-000350 | 1 | SUPPORT, CUTTER | | | |
| 13 | + | 900106-05025 | 2 | BOLT, H.S. 5*25 | 5*25 | | |
| 14 | + | V353-000250 | 4 | COLLAR | 9*7.45*5.3 | | |
| 15 | + | 177214-21860 | 1 | WASHER | 5.2*16*1.6T | | |
| 16 | + | 91107-05022 | 2 | BOLT, FLANGE | M5*22 | | |
| 17 | + | C532-000170 | 2 | ROD, CONNECTING | | | |
| 18 | + | V650-000300 | 1 | GEAR, SPUR | 46T | | |
| 19 | + | X411-000570 | 2 | CUTTER | | | |
| 20 | + | V150-001810 | 2 | PLATE, EYE | T0.5 | | |
| 21 | + | V541-000140 | 1 | SEAL | | | |
| 22 | + | 699118-04560 | 3 | WASHER | | | |
| 23 | + | 699115-07760 | 3 | BOLT, CUTTER | | | |
| 24 | + | V150-001800 | 1 | PLATE, EYE | T2.0 | | |
| 25 | + | V110-000060 | 1 | GASKET, GEAR CASE | T0.3 | | |
| 26 | + | C539-000020 | 1 | LID, GEARCASE | | | |
| 27 | + | 91118-04016 | 6 | BOLT | CM-4*14 | | |

6. GEAR CASE, CUTTER



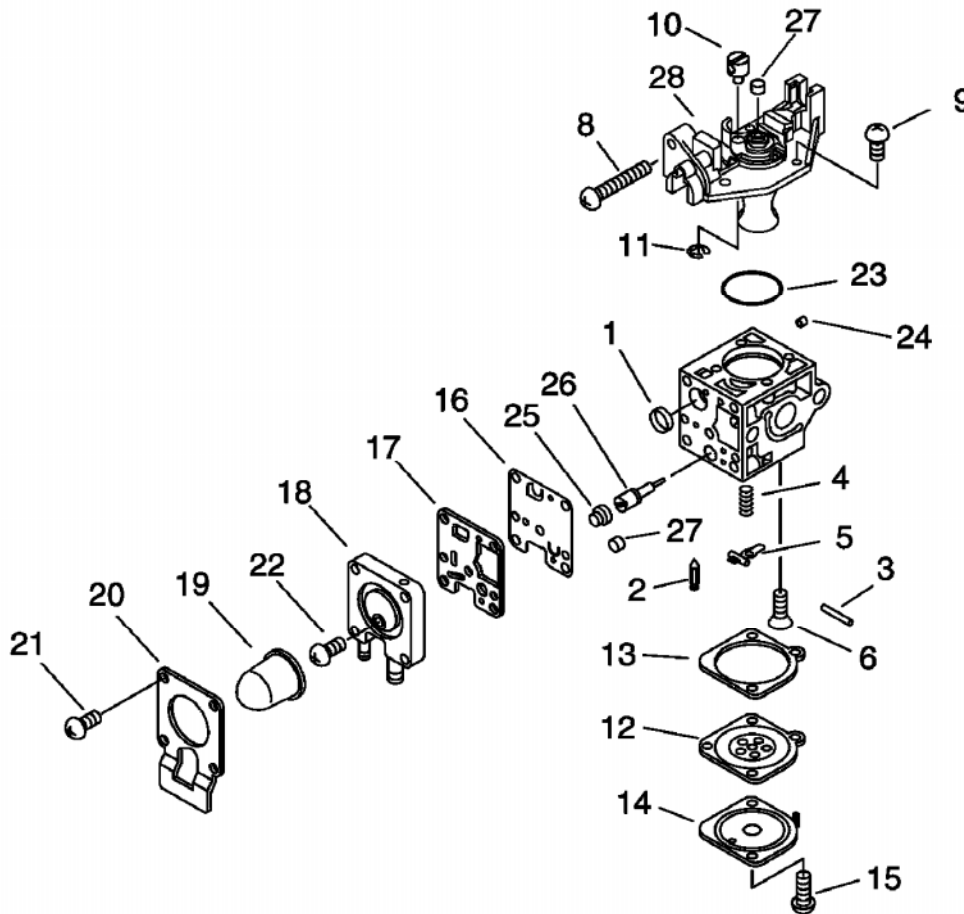
| KEY | LV | PART NUMBER | Q'TY | DESCRIPTION | REMARKS | NOTE1 | NOTE2 |
|-----|----|--------------|------|---------------------|------------------|-------|-------|
| 28 | + | X495-000181 | 1 | SCABBARD,BLADE | | | |
| 31 | + | P021-015600 | 1 | CASE,GEAR | | | |
| 32 | ++ | 94984-06075 | 1 | NIPPLE, GREASE | B-MT6*0.75(67.5) | | |
| 33 | + | X431-000110 | 1 | BLUNT | L=522MM T=1.6 | | |
| 35 | + | 92108-05000 | 2 | NUT, FLANGE | | | |
| 29 | | 895112-00330 | 1 | SPANNER 8*10 | | | |
| 30 | | 895410-03930 | 1 | WRENCH, W/S. DRIVER | | | |

7. CARBURETOR



| KEY | LV | PART NUMBER | Q'TY | DESCRIPTION | REMARKS | NOTE1 | NOTE2 |
|-----|----|--------------|------|----------------------|---------|-------|-------|
| | | A021-001671 | 1 | CARBURETOR,DIAPHRAGM | | | |
| 1 | + | P005-000010 | 1 | STRAINER | | | |
| 2 | + | 125337-08260 | 1 | VALVE, INLET NEEDLE | | | |
| 3 | + | 125338-13930 | 1 | PIN, METERING ARM | | | |
| 4 | + | P005-000940 | 1 | SPRING, METER. LEVER | | | |
| 5 | + | 125323-08260 | 1 | ARM, VALVE | | | |
| 6 | + | 125339-42030 | 1 | SCREW | | | |
| 28 | + | P005-002050 | 1 | COVER ASY, ROTOR | | | |
| 8 | + | P005-000100 | 1 | SCREW,THROTTLEADJUST | | | |
| 9 | + | 125344-13931 | 3 | SCREW | | | |
| 10 | + | P005-001240 | 1 | POST | | | |
| 11 | + | P005-002200 | 1 | POST | | | |
| 12 | + | P005-001780 | 1 | DIAPHRAGM | | | |
| 13 | + | P005-000200 | 1 | GASKET, METERING | | | |
| 14 | + | 125342-52130 | 1 | COVER, DIAPHRAGM | | | |
| 15 | + | 125344-52130 | 3 | SCREW | | | |
| 16 | + | P005-000510 | 1 | DIAPHRAGM, PUMP | | | |
| 17 | + | P005-000520 | 1 | GASKET, PUMP | | | |
| 18 | + | P005-001890 | 1 | BASE, ASY PRIMER | | | |
| 19 | + | 125381-08660 | 1 | PUMP, PRIMING | | | |
| 20 | + | P005-000250 | 1 | RETAINER | | | |
| 21 | + | P005-001900 | 4 | SCREW | | | |
| 22 | + | P005-000270 | 1 | SCREW | | | |
| 23 | + | P005-000280 | 1 | O-RING | | | |
| 24 | + | P005-001000 | 1 | ROLLER, GUIDE | | | |
| 25 | + | P005-001250 | 1 | RETAINER,PLUG BALL | | | |

7. CARBURETOR



| KEY | LV | PART NUMBER | Q'TY | DESCRIPTION | REMARKS | NOTE1 | NOTE2 |
|-----|----|-------------|------|---------------------|---------|-------|-------|
| 26 | + | P005-001260 | 1 | SCREW,MAINN MIXTURE | | | |
| 27 | + | P005-001270 | 2 | PLUG, H AJUST SCREW | | | |

8. REPAIR KIT

| KEY | LV | PART NUMBER | Q'TY | DESCRIPTION | REMARKS | NOTE1 | NOTE2 |
|-----|----|-------------|------|----------------------|---------|-------|-------|
| | | P005-001660 | 1 | DIAPHRAGM/GASKET KIT | | | |
| 1 | + | P005-001780 | 1 | DIAPHRAGM | | | |
| 2 | + | P005-000200 | 1 | GASKET, METERING | | | |
| 3 | + | P005-000510 | 1 | DIAPHRAGM, PUMP | | | |
| 4 | + | P005-000520 | 1 | GASKET, PUMP | | | |

9. REBUILD KIT

| KEY | LV | PART NUMBER | Q'TY | DESCRIPTION | REMARKS | NOTE1 | NOTE2 |
|-----|----|--------------|------|----------------------|---------|-------|-------|
| | | P005-001670 | 1 | REBUILD KIT | | | |
| 1 | + | P005-000010 | 1 | STRAINER | | | |
| 2 | + | 125337-08260 | 1 | VALVE, INLET NEEDLE | | | |
| 3 | + | 125338-13930 | 1 | PIN, METERING ARM | | | |
| 4 | + | P005-000940 | 1 | SPRING, METER. LEVER | | | |
| 5 | + | 125323-08260 | 1 | ARM, VALVE | | | |
| 6 | + | P005-001780 | 1 | DIAPHRAGM | | | |
| 7 | + | P005-000200 | 1 | GASKET, METERING | | | |
| 8 | + | P005-000510 | 1 | DIAPHRAGM, PUMP | | | |
| 9 | + | P005-000520 | 1 | GASKET, PUMP | | | |
| 10 | + | P005-001000 | 1 | ROLLER, GUIDE | | | |

Index

| Patrs Number | Key No. | Patrs Number | Key No. | Patrs Number | Key No. |
|---------------------|----------------|---------------------|----------------|---------------------|----------------|
| 100013-11520 | 1 - 12 | 900162-05022 | 1 - 16 | A320-000430 | 3 - 10 |
| 100014-08960 | 1 - 9 | 900162-05025 | 3 - 15 | A323-000010 | 3 - 11 |
| 100015-04630 | 1 - 11 | 900162-05028 | 1 - 3 | A350-000590 | 4 - 18 |
| 100113-05930 | 1 - 10 | 900163-04016 | 2 - 36 | A356-000031 | 4 - 17 |
| 100204-52133 | 1 - 1 | 900242-04010 | 3 - 6 | A365-000060 | 4 - 5 |
| 100212-42031 | 1 - 2 | 900242-05065 | 3 - 23 | A409-000210 | 2 - 22 |
| 100215-03930 | 1 - 6 | 900256-04016 | 5 - 3 | A411-000130 | 2 - 25 |
| 100242-42030 | 1 - 5 | 900330-40080 | 1 - 6 | A425-000000 | 2 - 27 |
| 125323-08260 | 7 - 5 | 900502-00006 | 5 - 25 | A426-000010 | 2 - 28 |
| 125323-08260 | 9 - 5 | 900512-00008 | 2 - 21 | A427-000013 | 2 - 29 |
| 125337-08260 | 7 - 2 | 900515-00006 | 5 - 26 | A507-000030 | 2 - 8 |
| 125337-08260 | 9 - 2 | 900600-00005 | 3 - 2 | A552-000080 | 2 - 34 |
| 125338-13930 | 7 - 3 | 900600-00008 | 2 - 20 | A556-000470 | 6 - 2 |
| 125338-13930 | 9 - 3 | 900603-00005 | 4 - 2 | A566-000000 | 2 - 32 |
| 125339-42030 | 7 - 6 | 900603-00005 | 5 - 17 | A570-000140 | 2 - 35 |
| 125342-52130 | 7 - 14 | 900701-00014 | 6 - 6 | C400-000480 | 5 - 20 |
| 125344-13931 | 7 - 9 | 900702-00035 | 6 - 3 | C423-000280 | 5 - 5 |
| 125344-52130 | 7 - 15 | 900810-36202 | 6 - 5 | C427-000020 | 5 - 15 |
| 125381-08660 | 7 - 19 | 900812-06202 | 6 - 4 | C450-000250 | 5 - 13 |
| 129011-52730 | 3 - 22 | 91107-04010 | 3 - 8 | C460-000090 | 5 - 14 |
| 130110-54430 | 4 - 13 | 91107-05022 | 6 - 16 | C532-000170 | 6 - 17 |
| 131016-55830 | 4 - 6 | 91107-06020 | 6 - 8 | C539-000020 | 6 - 26 |
| 131205-07320 | 4 - 7 | 91113-04020 | 2 - 24 | C600-000860 | 5 - 4 |
| 132010-40830 | 4 - 14 | 91118-04016 | 6 - 27 | C628-000030 | 6 - 9 |
| 132012-12361 | 4 - 8 | 91118-05016 | 1 - 21 | P005-000010 | 7 - 1 |
| 132013-09820 | 4 - 11 | 91118-05020 | 4 - 1 | P005-000010 | 9 - 1 |
| 132013-26630 | 4 - 9 | 91121-05016 | 1 - 18 | P005-000100 | 7 - 8 |
| 132115-55930 | 4 - 12 | 91121-05016 | 3 - 12 | P005-000200 | 7 - 13 |
| 145806-42030 | 3 - 3 | 91147-05020 | 5 - 10 | P005-000200 | 8 - 2 |
| 145866-42031 | 3 - 4 | 92108-05000 | 6 - 35 | P005-000200 | 9 - 7 |
| 175017-44331 | 2 - 33 | 94035-36201 | 1 - 4 | P005-000250 | 7 - 20 |
| 177214-21860 | 6 - 15 | 94984-06075 | 6 - 32 | P005-000270 | 7 - 22 |
| 177220-42030 | 2 - 5 | A011-000223 | 1 - 7 | P005-000280 | 7 - 23 |
| 177227-42030 | 2 - 10 | A021-001671 | 3 - 28 | P005-000510 | 7 - 16 |
| 177228-27030 | 2 - 12 | A021-001671 | 7 - | P005-000510 | 8 - 3 |
| 177236-61830 | 2 - 9 | A051-001110 | 2 - 4 | P005-000510 | 9 - 8 |
| 177246-11120 | 2 - 13 | A051-001111 | 2 - 4 | P005-000520 | 7 - 17 |
| 433022-06460 | 6 - 34 | A052-000210 | 2 - 17 | P005-000520 | 8 - 4 |
| 437411-19830 | 4 - 16 | A056-000190 | 2 - 31 | P005-000520 | 9 - 9 |
| 605611-13360 | 5 - 7 | A101-000090 | 1 - 13 | P005-000940 | 7 - 4 |
| 610350-12360 | 2 - 30 | A127-000170 | 1 - 19 | P005-000940 | 9 - 4 |
| 699115-07760 | 6 - 23 | A130-000550 | 1 - 15 | P005-001000 | 7 - 24 |
| 699118-04560 | 6 - 22 | A160-000880 | 1 - 17 | P005-001000 | 9 - 10 |
| 890332-52730 | 3 - 26 | A200-000300 | 3 - 14 | P005-001240 | 7 - 10 |
| 895112-00330 | 6 - 29 | A225-000240 | 3 - 21 | P005-001250 | 7 - 25 |
| 895410-03930 | 6 - 30 | A226-001410 | 3 - 24 | P005-001260 | 7 - 26 |
| 900105-05055 | 3 - 1 | A232-000400 | 3 - 25 | P005-001270 | 7 - 27 |
| 900106-05016 | 5 - 18 | A313-000870 | 3 - 5 | P005-001660 | 8 - |
| 900106-05025 | 6 - 13 | A313-000880 | 3 - 7 | P005-001670 | 9 - |

Index

| Patrs Number | Key No. | Patrs Number | Key No. | Patrs Number | Key No. |
|---------------------|----------------|---------------------|----------------|---------------------|----------------|
| P005-001780 | 7 - 12 | X411-000570 | 6 - 19 | | |
| P005-001780 | 8 - 1 | X425-000350 | 6 - 12 | | |
| P005-001780 | 9 - 6 | X425-000840 | 6 - 11 | | |
| P005-001890 | 7 - 18 | X431-000110 | 6 - 33 | | |
| P005-001900 | 7 - 21 | X495-000181 | 6 - 28 | | |
| P005-002050 | 7 - 28 | X502-000330 | 2 - 1 | | |
| P005-002200 | 7 - 11 | X502-000890 | 2 - 1 | | |
| P021-007772 | 1 - 8 | X503-007710 | 2 - 16 | | |
| P021-012210 | 4 - 4 | X505-002030 | 5 - 22 | | |
| P021-013051 | 5 - 2 | X532-000740 | 5 - 23 | | |
| P021-015250 | 5 - 24 | | | | |
| P021-015600 | 6 - 31 | | | | |
| P021-041740 | 6 - 1 | | | | |
| P022-006830 | 2 - 6 | | | | |
| P022-007980 | 2 - 19 | | | | |
| P022-008260 | 2 - 11 | | | | |
| P022-020030 | 2 - 18 | | | | |
| P022-034080 | 2 - 6 | | | | |
| P022-034090 | 2 - 8 | | | | |
| V100-000160 | 1 - 14 | | | | |
| V103-000180 | 3 - 13 | | | | |
| V103-000410 | 3 - 16 | | | | |
| V104-000850 | 3 - 9 | | | | |
| V110-000060 | 6 - 25 | | | | |
| V150-001800 | 6 - 24 | | | | |
| V150-001810 | 6 - 20 | | | | |
| V186-000020 | 4 - 10 | | | | |
| V186-000510 | 4 - 10 | | | | |
| V202-000030 | 2 - 3 | | | | |
| V202-000090 | 2 - 2 | | | | |
| V299-000250 | 3 - 27 | | | | |
| V353-000231 | 4 - 3 | | | | |
| V353-000250 | 6 - 14 | | | | |
| V450-000610 | 5 - 9 | | | | |
| V450-000620 | 5 - 11 | | | | |
| V450-000630 | 5 - 6 | | | | |
| V452-000150 | 2 - 7 | | | | |
| V452-000150 | 2 - 7 | | | | |
| V452-000300 | 5 - 12 | | | | |
| V452-000310 | 5 - 16 | | | | |
| V456-000040 | 5 - 8 | | | | |
| V471-001880 | 4 - 15 | | | | |
| V475-001610 | 2 - 23 | | | | |
| V485-000870 | 2 - 26 | | | | |
| V490-001100 | 3 - 29 | | | | |
| V490-001230 | 4 - 9 | | | | |
| V490-001240 | 4 - 11 | | | | |
| V541-000140 | 6 - 21 | | | | |
| V650-000300 | 6 - 18 | | | | |

YAMABIKO CORPORATION

7-2 SUEHIROCHO 1-CHOME, OHME, TOKYO 198-8760, JAPAN
PHONE: 81-428-32-6118. FAX: 81-428-32-6145.



11Fc
No. 63-146