



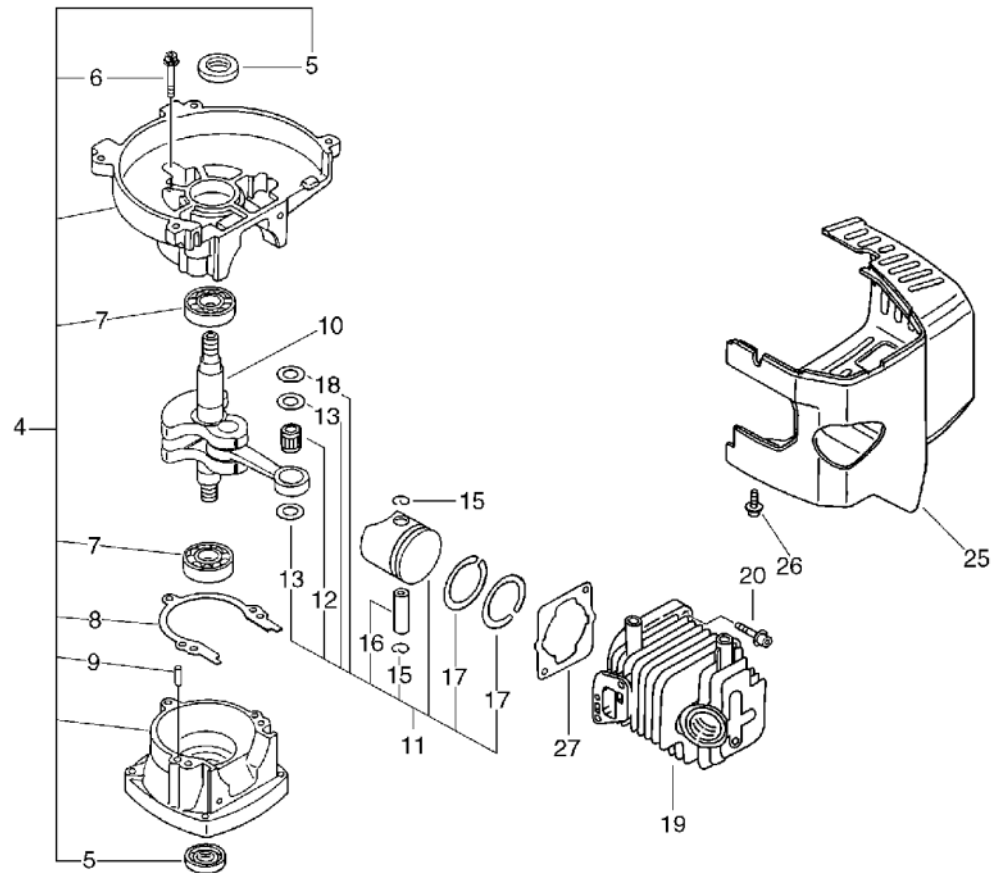
# **PARTS CATALOGUE**

## **HEDGE TRIMMER HCR-1500(6digits)(35)(36)**

- **36007912**

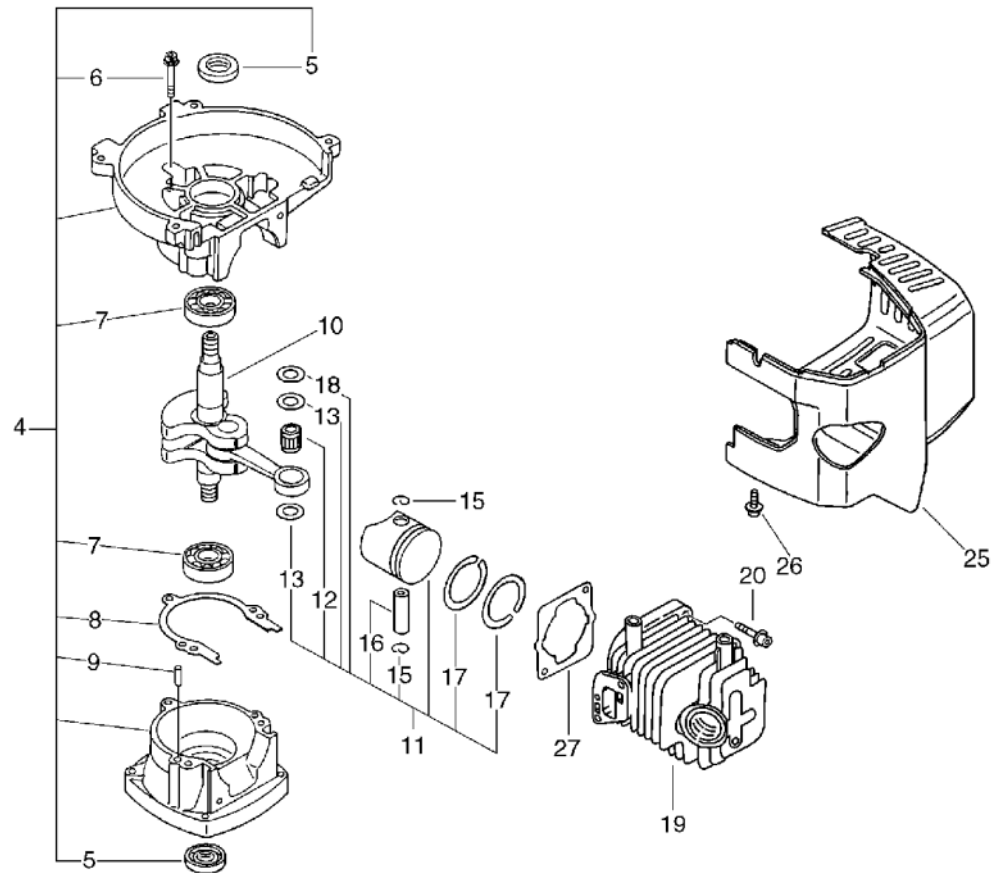
HCR-1500(6digits)(35)(36)

# 1. Cylinder, Crankcase, Piston(Sr/Nr 36005212 and before)



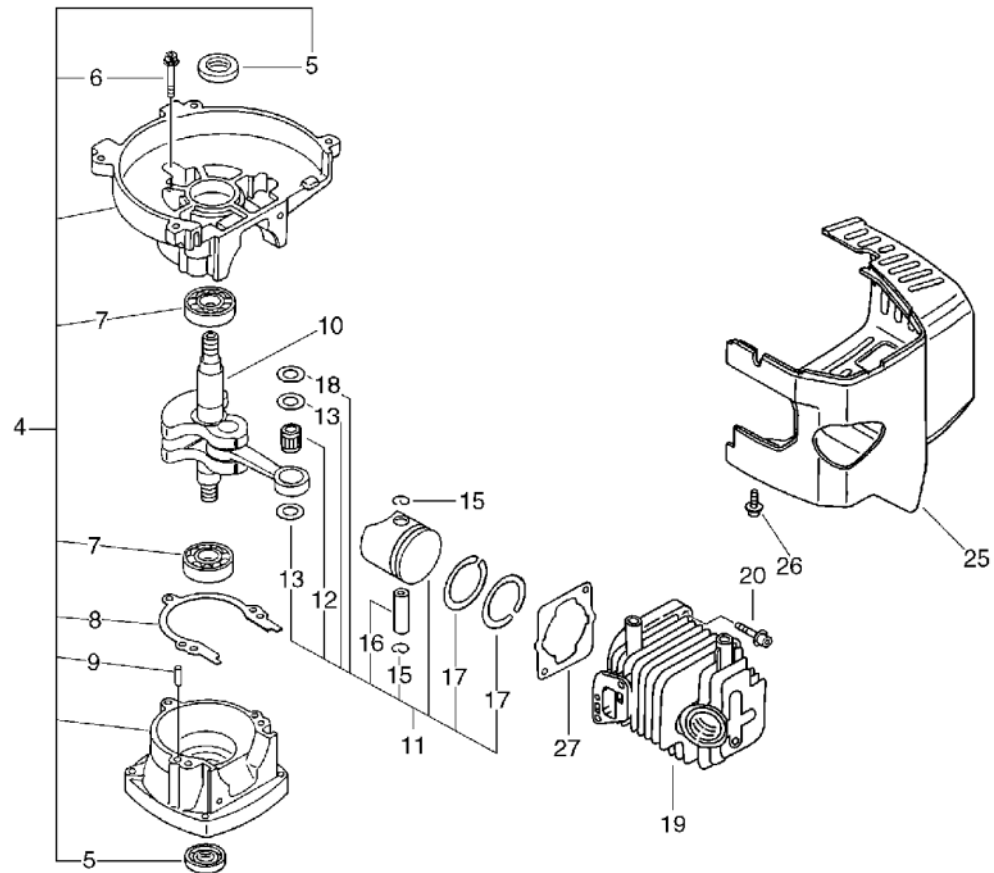
| KEY | LV | PART NUMBER  | Q'TY | DESCRIPTION        | REMARKS        | NOTE1                | NOTE2 |
|-----|----|--------------|------|--------------------|----------------|----------------------|-------|
| 4   |    | 100204-05360 | 1    | CRANKCASE KIT      |                | Sus. by 100204-05361 |       |
| 4   |    | 100204-05361 | 1    | CRANKCASE KIT      |                |                      |       |
| 5   | +  | 100212-42030 | 2    | OILSEAL            | ISCD12*22*4.5  | Sus. by 100212-42031 |       |
| 5   | +  | 100212-42031 | 2    | OILSEAL            | ISCD 12*22*4.5 |                      |       |
| 6   | +  | 900162-05028 | 3    | BOLT, H.S. 5*28    | 5*28 W,SW      |                      |       |
| 7   | +  | 900810-36201 | 2    | BEARING, BALL 6201 | 6201/C3        | Sus. by 94035-36201  |       |
| 7   | +  | 94035-36201  | 2    | BEARING BALL       | 6201X3JR2C3    |                      |       |
| 8   | +  | 100242-42030 | 1    | GASKET, CRANKCASE  |                |                      |       |
| 9   | +  | 100215-03930 | 2    | PIN, DOWEL         |                |                      |       |
| 10  |    | 100100-06560 | 1    | CRANKSHAFT ASSY    |                | Sus. by 100100-06564 |       |
| 10  |    | 100100-06561 | 1    | CRANKSHAFT         |                | Sus. by 100100-06564 |       |
| 10  |    | 100100-06562 | 1    | CRANKSHAFT         |                | Sus. by 100100-06564 |       |
| 10  |    | 100100-06563 | 1    | CRANKSHAFT         |                | Sus. by 100100-06564 |       |
| 10  |    | 100100-06564 | 1    | CRANKSHAFT         |                |                      |       |
| 11  |    | 100000-06962 | 1    | PISTON KIT         |                | Sus. by P021-001113  |       |
| 11  |    | P021-001111  | 1    | PISTON KIT         |                | Sus. by P021-001113  |       |

## 1. Cylinder, Crankcase, Piston(Sr/Nr 36005212 and before)



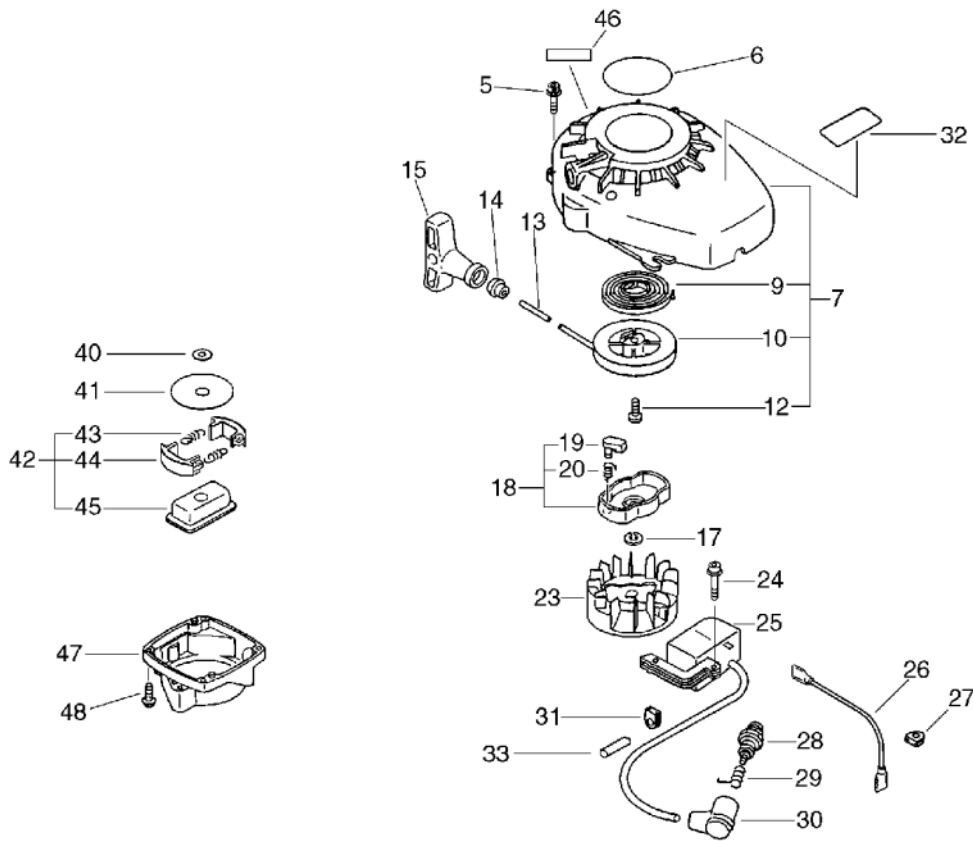
| KEY | LV | PART NUMBER  | Q'TY | DESCRIPTION         | REMARKS    | NOTE1                     | NOTE2 |
|-----|----|--------------|------|---------------------|------------|---------------------------|-------|
| 11  |    | P021-001112  | 1    | PISTON KIT          |            | Sus. by P021-001113       |       |
| 11  |    | P021-001113  | 1    | PISTON KIT          |            |                           |       |
| 12  | +  | 100113-05930 | 1    | BEARING, NEEDLE     | 8*12*8     |                           |       |
| 13  | +  | 100014-08960 | 2    | SPACER, PISTON PIN  |            |                           |       |
| 15  | +  | 100015-04630 | 2    | CIRCLIP, PISTON PIN |            |                           |       |
| 16  | +  | 100013-11520 | 1    | PIN, PISTON         |            |                           |       |
| 17  | +  | 100011-05330 | 2    | RING, PISTON        |            | Sus. by A101-000000       |       |
| 17  | +  | A101-000000  | 2    | RING, PISTON        |            |                           |       |
| 18  | +  | V306-000150  | 1    | WASHER, CIRCULAR 8  | 8.2*13*0.8 | Sr/Nr 36001001 and after  |       |
| 19  |    | 101011-06562 | 1    | CYLINDER            |            |                           |       |
| 20  |    | 900162-05022 | 2    | BOLT, H.S. 5*22     | 5*22 W,SW  |                           |       |
| 25  |    | 101506-06560 | 1    | COVER, CYLINDER     |            | Sus. by 101506-06561      |       |
| 25  |    | 101506-06561 | 1    | COVER, CYLINDER     |            | Sr/Nr 36005212 and before |       |
| 26  |    | 900162-04020 | 2    | BOLT, H.S. 4*20     | 4*20 W,SW  |                           |       |
| 27  |    | 101010-44332 | 1    | GASKET, CYL. BASE   |            |                           |       |

## 2. Cylinder, Crankcase, Piston(Sr/Nr 36005213 and after)



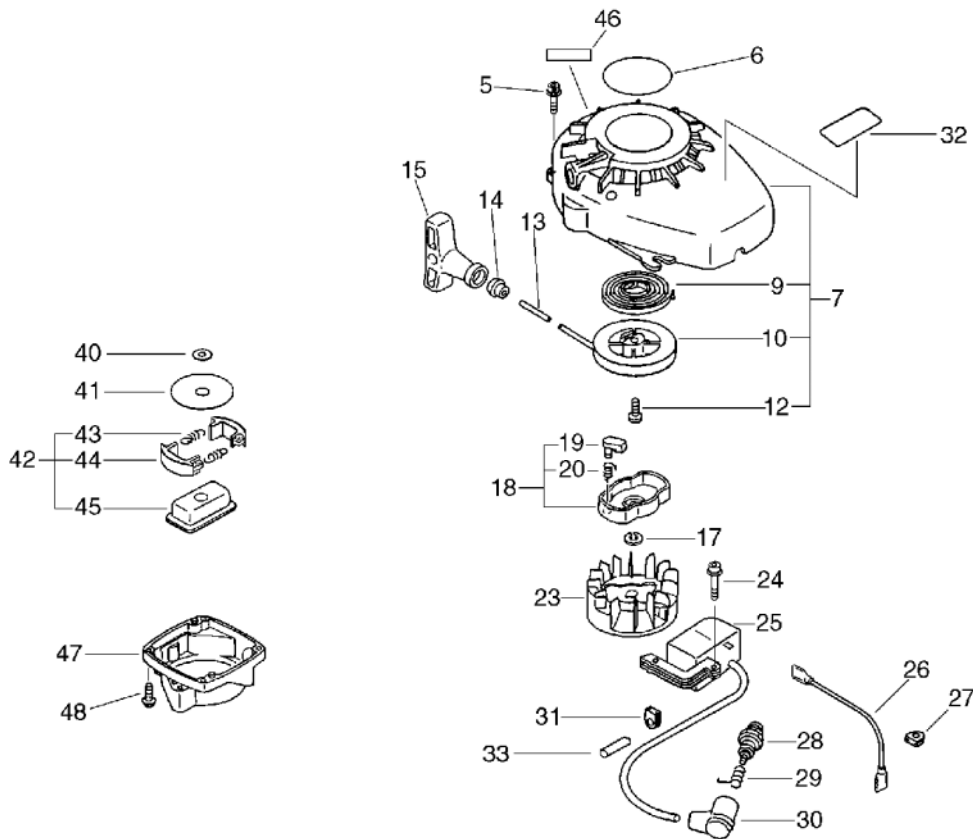
| KEY | LV | PART NUMBER  | Q'TY | DESCRIPTION         | REMARKS        | NOTE1                       | NOTE2 |
|-----|----|--------------|------|---------------------|----------------|-----------------------------|-------|
| 4   |    | 100204-05361 | 1    | CRANKCASE KIT       |                |                             |       |
| 5   | +  | 100212-42031 | 2    | OILSEAL             | ISCD 12*22*4.5 |                             |       |
| 6   | +  | 900162-05028 | 3    | BOLT, H.S. 5*28     | 5*28 W,SW      |                             |       |
| 7   | +  | 94035-36201  | 2    | BEARING BALL        | 6201X3JR2C3    |                             |       |
| 8   | +  | 100242-42030 | 1    | GASKET, CRANKCASE   |                |                             |       |
| 9   | +  | 100215-03930 | 2    | PIN, DOWEL          |                |                             |       |
| 10  |    | 100100-06564 | 1    | CRANKSHAFT          |                |                             |       |
| 11  |    | P021-001113  | 1    | PISTON KIT          |                |                             |       |
| 12  | +  | 100113-05930 | 1    | BEARING, NEEDLE     | 8*12*8         |                             |       |
| 13  | +  | 100014-08960 | 2    | SPACER, PISTON PIN  |                |                             |       |
| 15  | +  | 100015-04630 | 2    | CIRCLIP, PISTON PIN |                |                             |       |
| 16  | +  | 100013-11520 | 1    | PIN, PISTON         |                |                             |       |
| 17  | +  | A101-000000  | 2    | RING,PISTON         |                |                             |       |
| 18  | +  | V306-000150  | 1    | WASHER,CIRCULAR 8   | 8.2*13*0.8     |                             |       |
| 19  |    | 101011-06562 | 1    | CYLINDER            |                |                             |       |
| 20  |    | 900162-05022 | 2    | BOLT, H.S. 5*22     | 5*22 W,SW      |                             |       |
| 25  |    | 101506-05361 | 1    | COVER, CYLINDER     |                | Sr/Nr 36005213<br>and after |       |
| 26  |    | 900162-04020 | 2    | BOLT, H.S. 4*20     | 4*20 W,SW      |                             |       |
| 27  |    | 101010-44332 | 1    | GASKET, CYL. BASE   |                |                             |       |

**3. Starter, Magneto, Clutch(Sr/Nr 36005212 and before)**



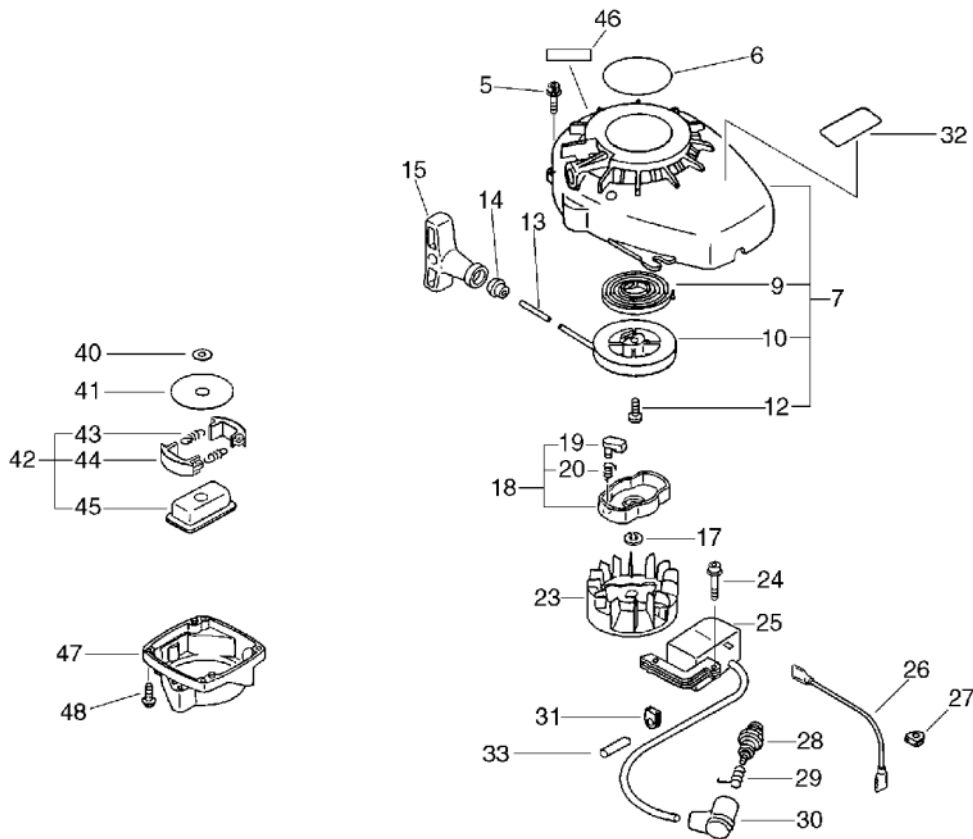
| KEY | LV | PART NUMBER  | Q'TY | DESCRIPTION      | REMARKS   | NOTE1                    | NOTE2 |
|-----|----|--------------|------|------------------|-----------|--------------------------|-------|
| 5   |    | 900162-04016 | 4    | BOLT, H.S. 4*16  | 4*16 W,SW |                          |       |
| 6   |    | 890118-49130 | 1    | LABEL, ECHO      |           | Sus. by 890112-25460     |       |
| 6   |    | 890112-25460 | 1    | LABEL, MODEL     |           | Sus. by 890112-25461     |       |
| 6   |    | 890112-25461 | 1    | LABEL, MODEL     |           | Sus. by X502-000330      |       |
| 7   |    | 177200-06562 | 1    | STARTER ASSY     |           | Sus. by 177200-12220     |       |
| 7   |    | 177200-12220 | 1    | STARTER ASY      |           | Sr/Nr 015205 and before  |       |
| 7   |    | 177200-06562 | 1    | STARTER ASSY     |           | Sus. by 177200-06563     |       |
| 7   |    | 177200-06563 | 1    | STARTER ASSEMBLY |           | Sr/Nr 015206 to 36005212 |       |
| 9   | +  | 177220-42030 | 1    | SPRING, REWIND   |           |                          |       |
| 10  | +  | 177215-44430 | 1    | DRUM, STARTER    |           |                          |       |
| 12  | +  | 177236-44330 | 1    | SCREW            |           |                          |       |
| 13  | +  | 177226-05530 | 1    | ROPE, STARTER    | 3*890     |                          |       |
| 14  | +  | 177227-42030 | 1    | GUIDE, ROPE      |           |                          |       |
| 15  | +  | 177228-06530 | 1    | GRIP, STARTER    |           | Sus. by 177228-11120     |       |
| 15  | +  | 177228-11120 | 1    | GRIP, STARTER    |           | Sr/Nr 015205 and before  |       |
| 15  | +  | 177228-06530 | 1    | GRIP, STARTER    |           | Sr/Nr 015206 and after   |       |

**3. Starter, Magneto, Clutch(Sr/Nr 36005212 and before)**



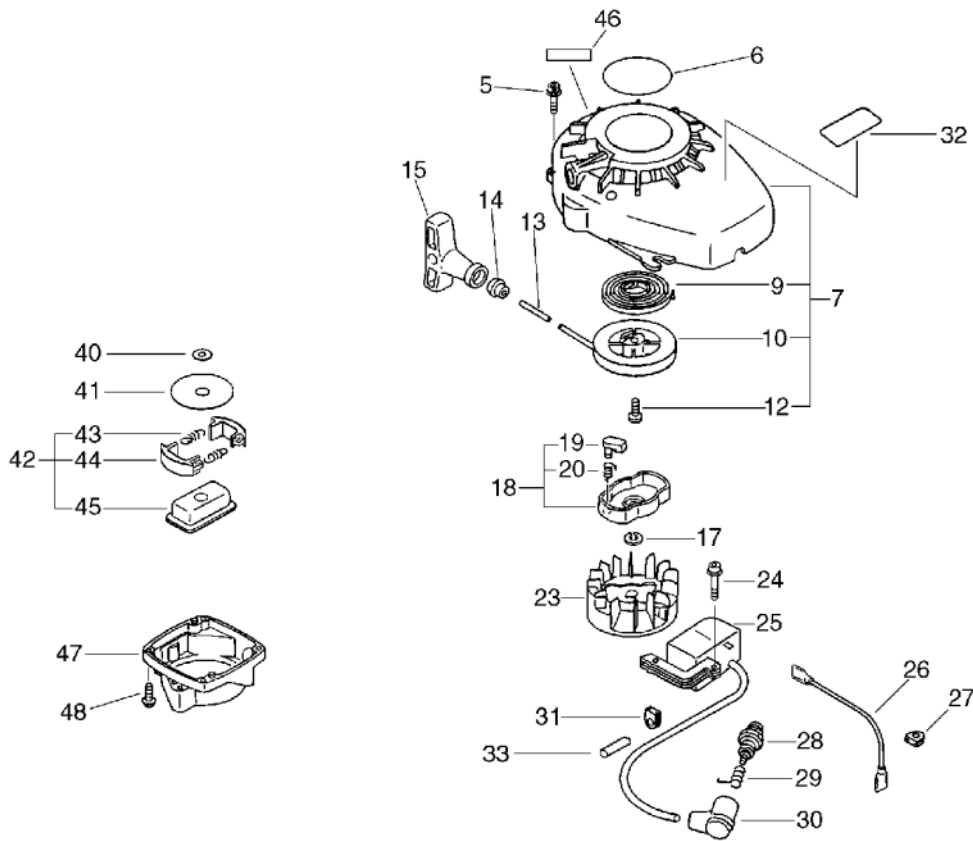
| KEY | LV | PART NUMBER  | Q'TY | DESCRIPTION          | REMARKS   | NOTE1                   | NOTE2 |
|-----|----|--------------|------|----------------------|-----------|-------------------------|-------|
| 17  |    | 900605-00008 | 1    | WASHER, SPRING 8     | 8         |                         |       |
| 18  |    | 177202-44330 | 1    | PAWL ASSY, STARTER   |           | Sus. by 177202-44331    |       |
| 18  |    | 177202-44331 | 1    | PAWL ASM., STARTER   |           |                         |       |
| 19  | +  | 177218-44330 | 1    | PAWL, STARTER        | BLACK     |                         |       |
| 20  | +  | 177234-42030 | 1    | SPRING, RETURN       |           |                         |       |
| 23  |    | 156801-44330 | 1    | FLYWHEEL             |           | Sr/Nr 002780 and before |       |
| 23  |    | 156801-05360 | 1    | ROTOR, MAGNETO       |           | Sr/Nr 002781 and after  |       |
| 24  |    | 900162-04022 | 2    | BOLT, H.S. 4*22      | 4*22 W,SW |                         |       |
| 25  |    | 156626-11820 | 1    | COIL, IGNITION       |           | Sr/Nr 002780 and before |       |
| 25  |    | 156601-52130 | 1    | COIL, IGNITION       |           | Sr/Nr 002781 and after  |       |
| 25  |    | A411-000080  | 1    | COIL,IGNITION        |           | Sr/Nr 015206 and after  |       |
| 26  |    | 162021-52830 | 1    | LEAD                 | 275L      | Sr/Nr 002781 and after  |       |
| 27  |    | 156114-04920 | 1    | GROMMET              |           |                         |       |
| 28  |    | 159017-12330 | 1    | PLUG, SPARK (RCJ-8Y) | RCJ-8Y    |                         |       |
| 29  |    | 159011-03432 | 1    | COIL, SPARK PLUG     |           |                         |       |
| 30  |    | 159012-03433 | 1    | CAP, SPARK PLUG      |           |                         |       |
| 31  |    | 156110-04920 | 1    | BUSHING              |           |                         |       |
| 32  |    | 890034-13360 | 1    | LABEL, MODEL         |           | Sus. by 890617-07660    |       |

**3. Starter, Magneto, Clutch(Sr/Nr 36005212 and before)**



| KEY | LV | PART NUMBER  | Q'TY | DESCRIPTION     | REMARKS    | NOTE1                  | NOTE2 |
|-----|----|--------------|------|-----------------|------------|------------------------|-------|
| 32  |    | 890617-07660 | 1    | LABEL, CAUTION  |            | Sus. by X503-008850    |       |
| 33  |    | V475-001900  | 1    | TUBE            | 7*8.6*30   |                        |       |
| 40  |    | 175014-05360 | 1    | WASHER, CLUTCH  | 8.2*19*3.2 |                        |       |
| 41  |    | 175019-04920 | 1    | PLATE, CLUTCH   |            |                        |       |
| 42  |    | 175000-06560 | 1    | CLUTCH ASSY     |            |                        |       |
| 43  | +  | 175018-05960 | 2    | SPRING, CLUTCH  |            |                        |       |
| 44  | +  | 175009-05131 | 2    | SHOE, CLUTCH    |            |                        |       |
| 45  | +  | 175016-04920 | 1    | HUB, CLUTCH     |            |                        |       |
| 46  |    | 890123-13360 | 1    | LABEL, CAUTION  |            |                        |       |
| 47  |    | 175055-05360 | 1    | HOUSING, CLUTCH |            | Sr/Nr 015206 and after |       |
| 48  |    | 900162-04016 | 2    | BOLT, H.S. 4*16 | 4*16 W,SW  | Sr/Nr 015206 and after |       |

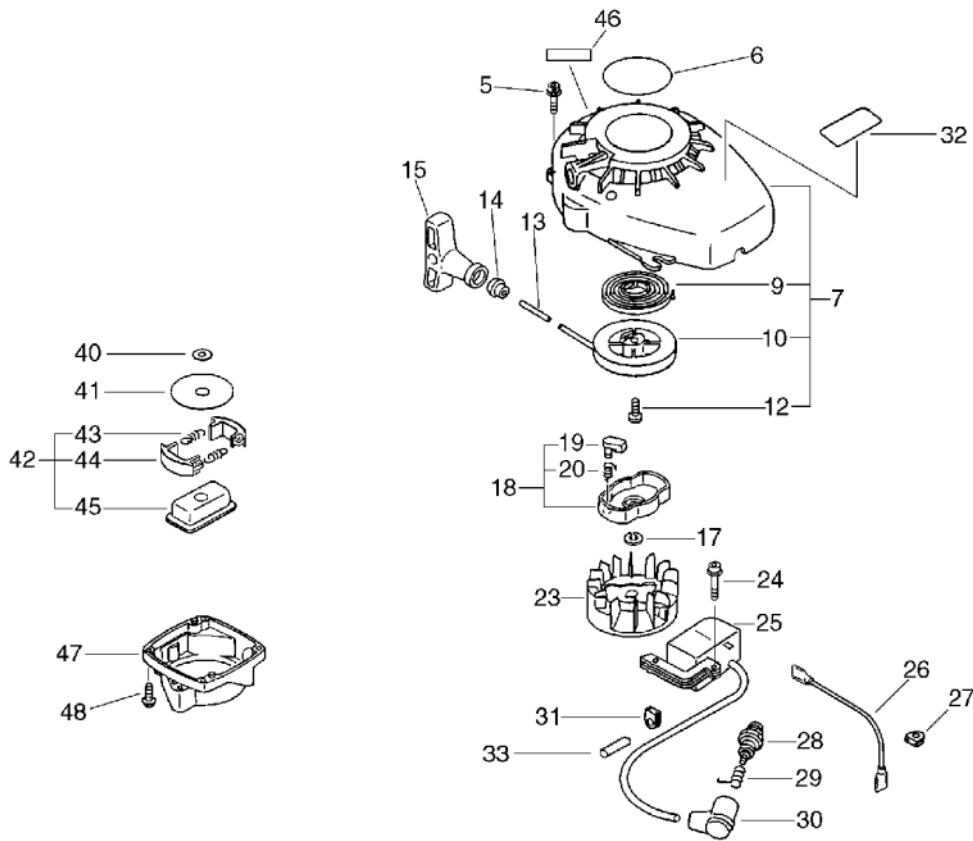
4. Starter, Magneto, Clutch(Sr/Nr 36005213 and after)



| KEY | LV | PART NUMBER  | Q'TY | DESCRIPTION          | REMARKS   | NOTE1                    | NOTE2 |
|-----|----|--------------|------|----------------------|-----------|--------------------------|-------|
| 5   |    | 900162-04016 | 4    | BOLT, H.S. 4*16      | 4*16 W,SW |                          |       |
| 6   |    | 890112-25461 | 1    | LABEL, MODEL         |           | Sus. by X502-000330      |       |
| 6   |    | X502-000330  | 1    | LABEL,ECHO           | ECHO      |                          |       |
| 7   |    | 177200-05363 | 1    | STARTER ASSEMBLY     |           | Sr/Nr 36005213 and after |       |
| 9   | +  | 177220-42030 | 1    | SPRING, REWIND       |           |                          |       |
| 10  | +  | 177215-44430 | 1    | DRUM, STARTER        |           |                          |       |
| 12  | +  | 177236-44330 | 1    | SCREW                |           |                          |       |
| 13  | +  | 177226-05530 | 1    | ROPE, STARTER        | 3*890     |                          |       |
| 14  | +  | 177227-42030 | 1    | GUIDE, ROPE          |           |                          |       |
| 15  | +  | 177228-06530 | 1    | GRIP, STARTER        |           |                          |       |
| 17  |    | 900605-00008 | 1    | WASHER, SPRING 8     | 8         |                          |       |
| 18  |    | 177202-44331 | 1    | PAWL ASM., STARTER   |           |                          |       |
| 19  | +  | 177218-44330 | 1    | PAWL, STARTER        | BLACK     |                          |       |
| 20  | +  | 177234-42030 | 1    | SPRING, RETURN       |           |                          |       |
| 23  |    | 156801-05360 | 1    | ROTOR, MAGNETO       |           |                          |       |
| 24  |    | 900162-04022 | 2    | BOLT, H.S. 4*22      | 4*22 W,SW |                          |       |
| 25  |    | A411-000080  | 1    | COIL,IGNITION        |           |                          |       |
| 26  |    | 162021-52830 | 1    | LEAD                 | 275L      |                          |       |
| 27  |    | 156114-04920 | 1    | GROMMET              |           |                          |       |
| 28  |    | 159017-12330 | 1    | PLUG, SPARK (RCJ-8Y) | RCJ-8Y    |                          |       |
| 29  |    | 159011-03432 | 1    | COIL, SPARK PLUG     |           |                          |       |
| 30  |    | 159012-03433 | 1    | CAP, SPARK PLUG      |           |                          |       |
| 31  |    | 156110-04920 | 1    | BUSHING              |           |                          |       |

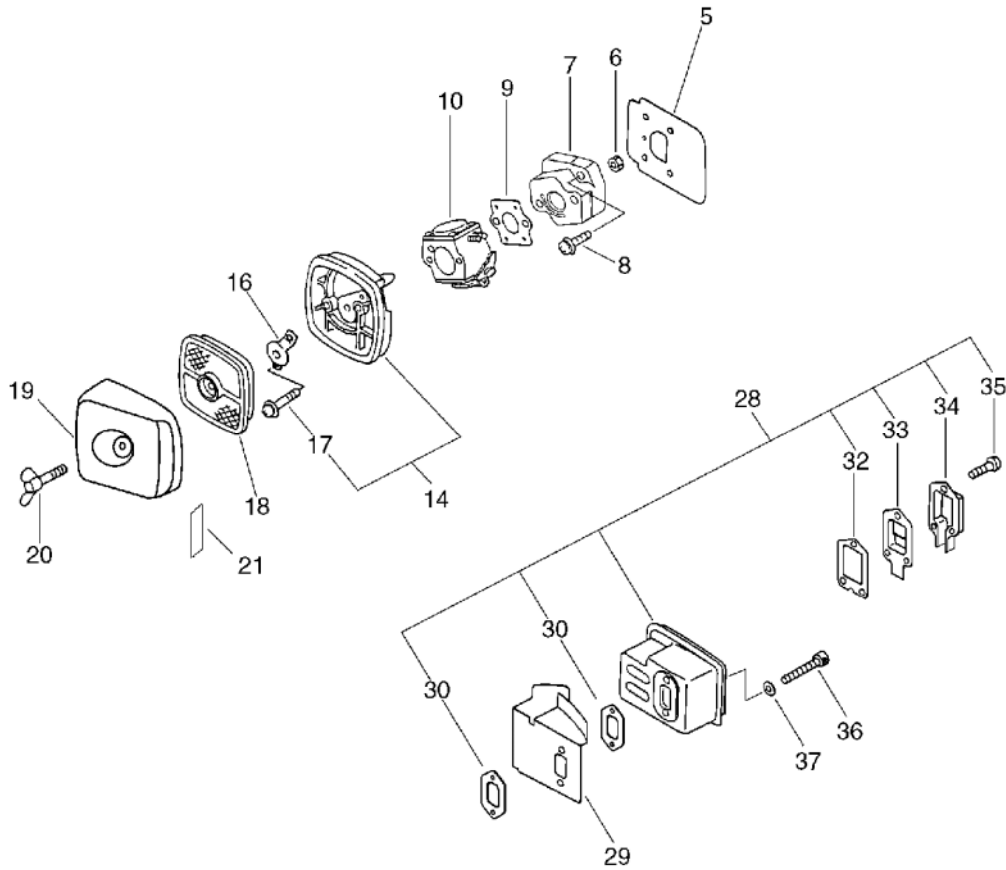


4. Starter, Magneto, Clutch(Sr/Nr 36005213 and after)



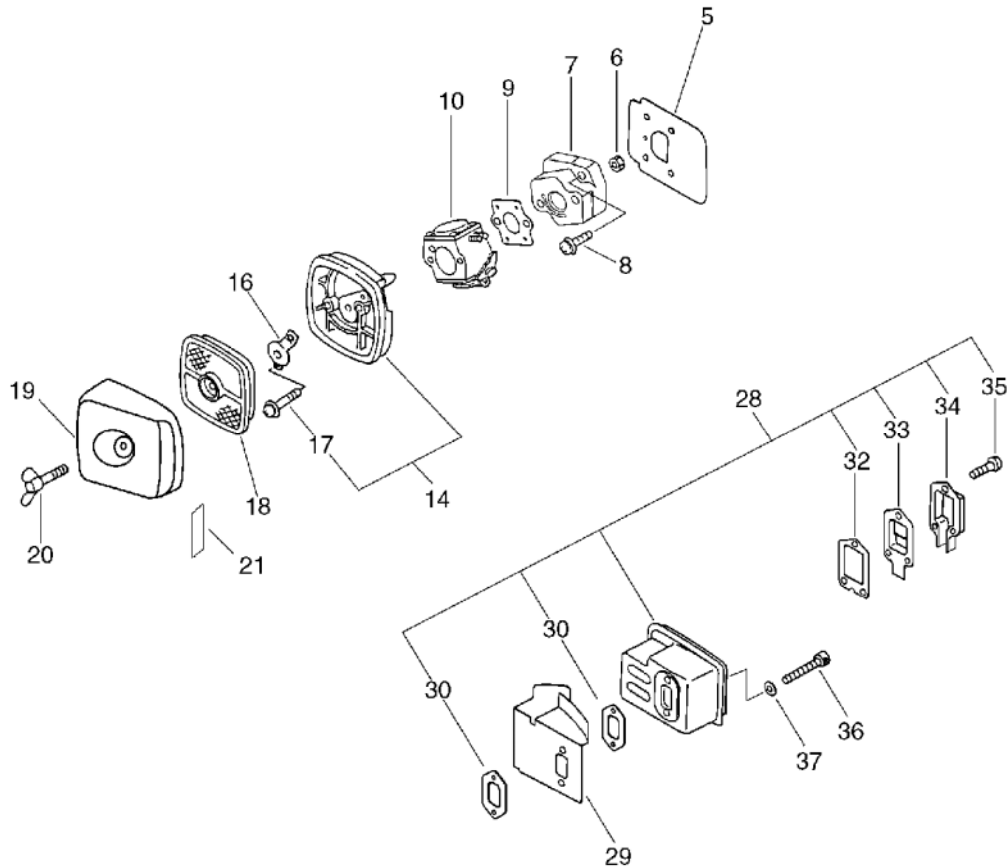
| KEY | LV | PART NUMBER  | Q'TY | DESCRIPTION     | REMARKS    | NOTE1               | NOTE2 |
|-----|----|--------------|------|-----------------|------------|---------------------|-------|
| 32  |    | 890617-07660 | 1    | LABEL, CAUTION  |            | Sus. by X503-008850 |       |
| 32  |    | X503-008850  | 1    | LABEL,MODEL     | HCR-1500   |                     |       |
| 33  |    | V475-001900  | 1    | TUBE            | 7*8.6*30   |                     |       |
| 40  |    | 175014-05360 | 1    | WASHER, CLUTCH  | 8.2*19*3.2 |                     |       |
| 41  |    | 175019-04920 | 1    | PLATE, CLUTCH   |            |                     |       |
| 42  |    | 175000-06560 | 1    | CLUTCH ASSY     |            |                     |       |
| 43  | +  | 175018-05960 | 2    | SPRING, CLUTCH  |            |                     |       |
| 44  | +  | 175009-05131 | 2    | SHOE, CLUTCH    |            |                     |       |
| 45  | +  | 175016-04920 | 1    | HUB, CLUTCH     |            |                     |       |
| 46  |    | 890123-13360 | 1    | LABEL, CAUTION  |            |                     |       |
| 47  |    | 175055-05360 | 1    | HOUSING, CLUTCH |            |                     |       |
| 48  |    | 900162-04016 | 2    | BOLT, H.S. 4*16 | 4*16 W,SW  |                     |       |

5. Air Cleaner, Muffler(Sr/Nr 36005212 and before)



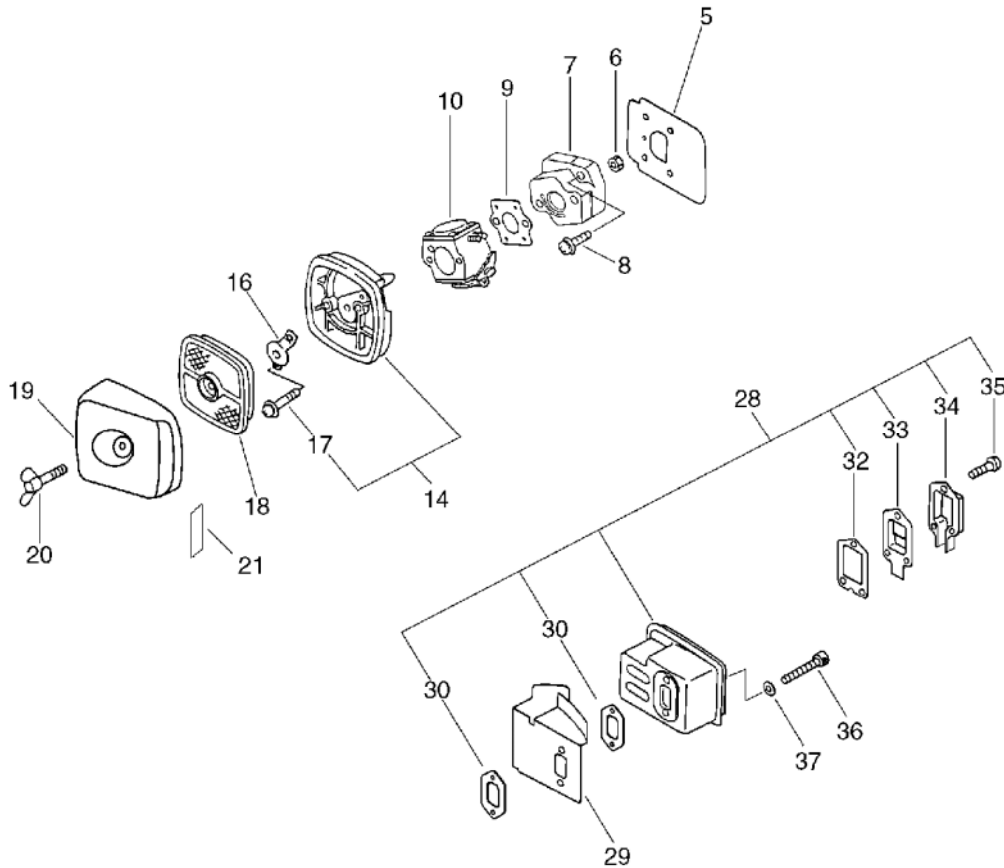
| KEY | LV | PART NUMBER  | Q'TY | DESCRIPTION        | REMARKS | NOTE1                     | NOTE2 |
|-----|----|--------------|------|--------------------|---------|---------------------------|-------|
| 5   |    | 130010-42032 | 1    | GASKET,INTAKE      |         |                           |       |
| 6   |    | 900500-00005 | 2    | NUT 5              | 5       |                           |       |
| 7   |    | 130017-42031 | 1    | INSULATOR, INTAKE  |         |                           |       |
| 8   |    | 900238-05020 | 2    | SCREW 5*20         | 5*20    |                           |       |
| 9   |    | 130016-42031 | 1    | GASKET, INTAKE     |         |                           |       |
| 10  |    | 125200-05961 | 1    | CARBURETOR C1U-K51 | C1U-K51 | Sus. by 125200-05964      |       |
| 10  |    | 125200-05962 | 1    | CARBURETOR         | C1U-K51 | Sus. by 125200-05964      |       |
| 10  |    | 125200-05963 | 1    | CARBURETOR C1U-K51 | C1U-K51 | Sus. by 125200-05964      |       |
| 10  |    | 125200-05964 | 1    | CARBURETOR         | C1U-K51 |                           |       |
| 14  |    | 130307-06561 | 1    | CASE, AIR CLEANER  |         | Sus. by P021-002921       |       |
| 14  |    | P021-002921  | 1    | CASE, AIR CLEANER  |         | Sr/Nr 36005212 and before |       |
| 17  | +  | 900242-05065 | 2    | SCREW 5*65         | 5*65    |                           |       |
| 16  |    | 129011-52730 | 1    | PLATE, PREVENT     |         |                           |       |
| 18  |    | 130310-54130 | 1    | FILTER, AIR        |         |                           |       |
| 19  |    | 130313-06563 | 1    | LID, AIR CLEANER   |         | Sr/Nr 36005212 and before |       |
| 20  |    | 210417-52730 | 1    | BOLT, WING         | 5*20    |                           |       |
| 21  |    | 890121-05360 | 1    | LABEL, METERING    |         |                           |       |
| 29  |    | 145871-05360 | 1    | COVER, MUFFLER     |         |                           |       |
| 28  |    | 145802-05360 | 1    | MUFFLER ASSY       |         | Sus. by 145802-05361      |       |

5. Air Cleaner, Muffler(Sr/Nr 36005212 and before)



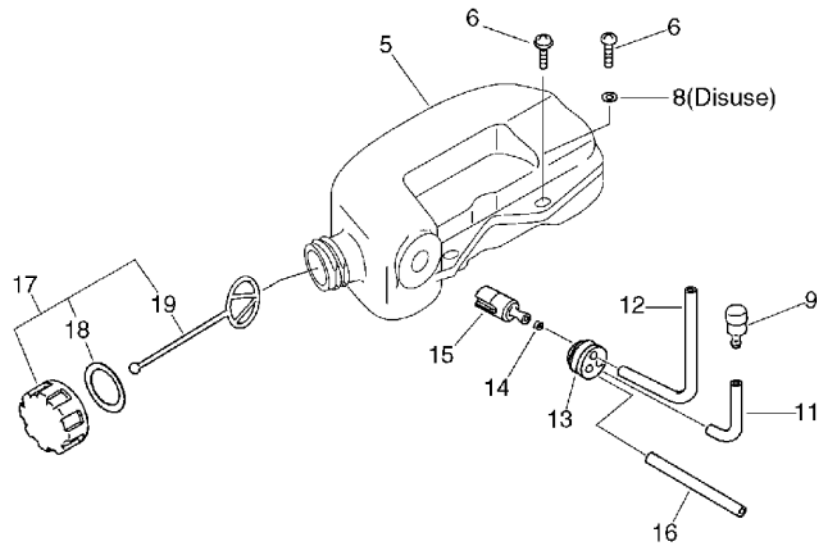
| KEY | LV | PART NUMBER  | Q'TY | DESCRIPTION         | REMARKS | NOTE1               | NOTE2 |
|-----|----|--------------|------|---------------------|---------|---------------------|-------|
| 28  |    | 145802-05361 | 1    | MUFFLER ASY (SAM)   |         |                     |       |
| 30  | +  | 145510-42031 | 2    | GASKET, MUFFLER     |         | Sus. by V104-000160 |       |
| 30  | +  | 145510-42032 | 2    | GASKET, MUFFLER     |         | Sus. by V104-000160 |       |
| 30  | +  | V104-000160  | 2    | GASKET, EXHAUST     |         |                     |       |
| 32  | +  | 145866-42031 | 1    | GASKET, MUFFLER LID |         |                     |       |
| 33  | +  | 145876-42030 | 1    | LID, MUFFLER (B)    |         |                     |       |
| 34  | +  | 145863-06560 | 1    | GUIDE, EXHAUST      |         | Sus. by A313-000010 |       |
| 34  | +  | A313-000010  | 1    | GUIDE, EXH          | ID#4000 |                     |       |
| 35  | +  | 900242-04010 | 3    | SCREW 4*10          | 4*10    |                     |       |
| 36  |    | 900105-05050 | 2    | BOLT, H.S. 5*50     | 5*50    |                     |       |
| 37  |    | 900600-00005 | 2    | WASHER 5            | 5       |                     |       |

6. Air Cleaner, Muffler(Sr/Nr 36005213 and after)



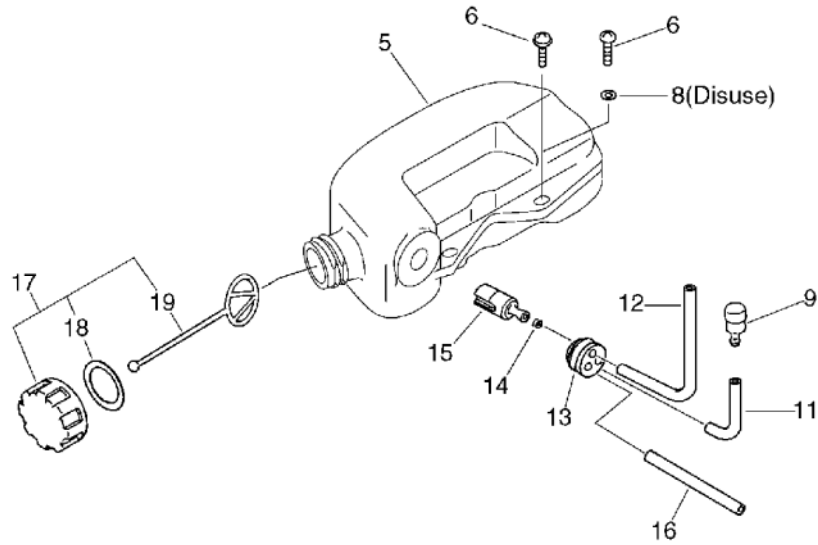
| KEY | LV | PART NUMBER  | Q'TY | DESCRIPTION         | REMARKS | NOTE1                       | NOTE2 |
|-----|----|--------------|------|---------------------|---------|-----------------------------|-------|
| 5   |    | 130010-42032 | 1    | GASKET,INTAKE       |         |                             |       |
| 6   |    | 900500-00005 | 2    | NUT 5               | 5       |                             |       |
| 7   |    | 130017-42031 | 1    | INSULATOR, INTAKE   |         |                             |       |
| 8   |    | 900238-05020 | 2    | SCREW 5*20          | 5*20    |                             |       |
| 9   |    | 130016-42031 | 1    | GASKET, INTAKE      |         |                             |       |
| 10  |    | 125200-05964 | 1    | CARBURETOR          | C1U-K51 |                             |       |
| 14  |    | P021-010350  | 1    | CASE,CLEANER ASY    |         | Sr/Nr 36005213<br>and after |       |
| 17  | +  | 900242-05065 | 2    | SCREW 5*65          | 5*65    |                             |       |
| 16  |    | 129011-52730 | 1    | PLATE, PREVENT      |         |                             |       |
| 18  |    | 130310-54130 | 1    | FILTER, AIR         |         |                             |       |
| 19  |    | 130313-05863 | 1    | LID, AIR CLEANER    |         | Sr/Nr 36005213<br>and after |       |
| 20  |    | 210417-52730 | 1    | BOLT, WING          | 5*20    |                             |       |
| 21  |    | 890121-05360 | 1    | LABEL, METERING     |         |                             |       |
| 29  |    | 145871-05360 | 1    | COVER, MUFFLER      |         |                             |       |
| 28  |    | 145802-05361 | 1    | MUFFLER ASY (SAM)   |         |                             |       |
| 30  | +  | V104-000160  | 2    | GASKET,EXHAUST      |         |                             |       |
| 32  | +  | 145866-42031 | 1    | GASKET, MUFFLER LID |         |                             |       |
| 33  | +  | 145876-42030 | 1    | LID, MUFFLER (B)    |         |                             |       |
| 34  | +  | A313-000010  | 1    | GUIDE,EXH           | ID#4000 |                             |       |
| 35  | +  | 900242-04010 | 3    | SCREW 4*10          | 4*10    |                             |       |
| 36  |    | 900105-05050 | 2    | BOLT, H.S. 5*50     | 5*50    |                             |       |
| 37  |    | 900600-00005 | 2    | WASHER 5            | 5       |                             |       |

## 7. Fuel Tank



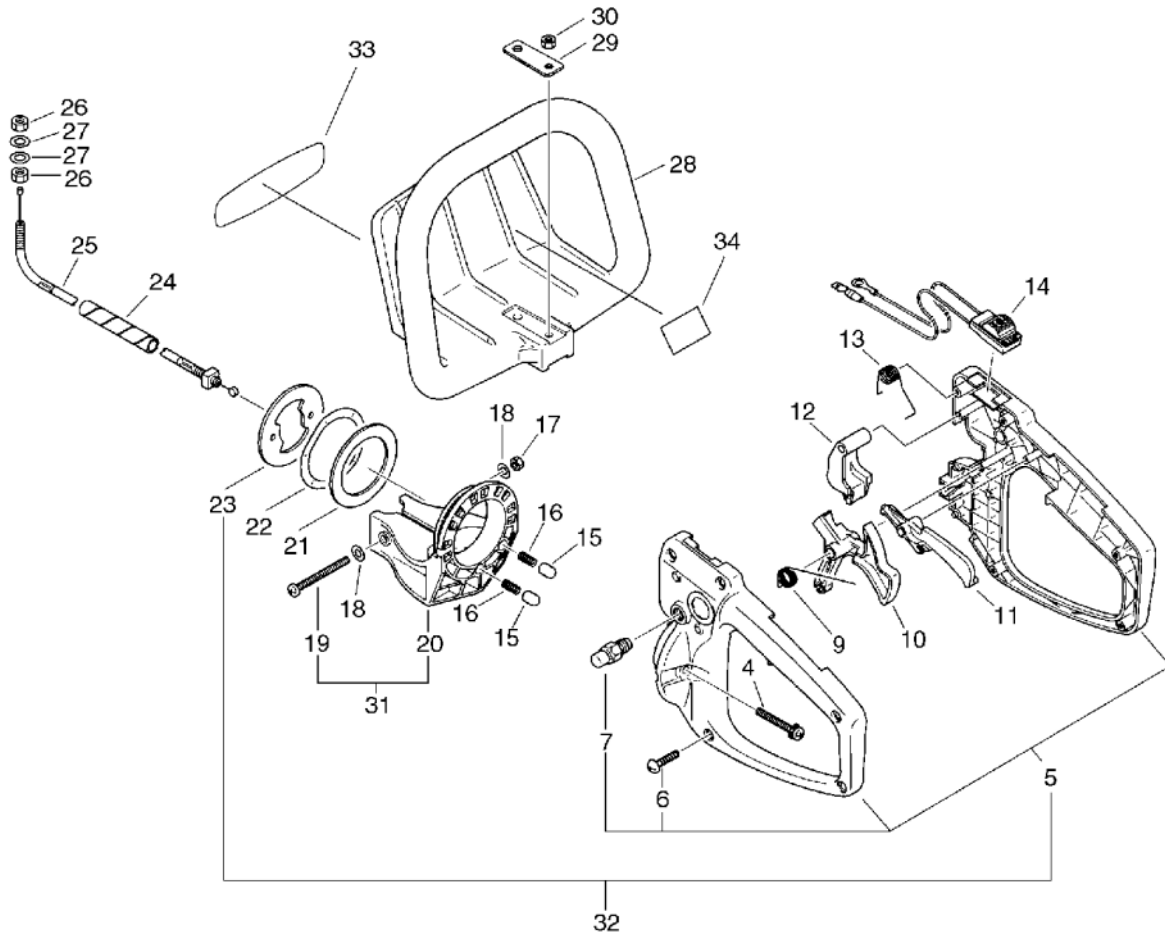
| KEY | LV | PART NUMBER  | Q'TY | DESCRIPTION    | REMARKS       | NOTE1               | NOTE2 |
|-----|----|--------------|------|----------------|---------------|---------------------|-------|
| 5   |    | 131005-05360 | 1    | TANK, FUEL     |               | Sus.by A350-000272  |       |
| 5   |    | 131005-05361 | 1    | TANK, FUEL     |               | Sus.by A350-000272  |       |
| 5   |    | A350-000270  | 1    | TANK,FUEL      |               | Sus.by A350-000272  |       |
| 5   |    | A350-000271  | 1    | TANK,FUEL      |               | Sus.by A350-000272  |       |
| 5   |    | A350-000272  | 1    | TANK,FUEL      |               | Sus.by A350-000272  |       |
| 6   |    | 900238-05016 | 2    | SCREW 5*16     | 5*16          | Sus.by 900239-05016 |       |
| 6   |    | 900239-05016 | 2    | SCREW 5*16     | 5*16          |                     |       |
| 8   |    | 900603-00005 | 2    | WASHER 5       | 5.5*12*0.8    | Disuse              |       |
| 9   |    | 131300-56430 | 1    | VALVE, CHECK   |               |                     |       |
| 11  |    | 131312-39130 | 1    | PIPE           | 3*5*70(+3)NBR | Sus.by V471-001200  |       |
| 11  |    | 131312-44330 | 1    | PIPE, 3*5*70L  | 3*5*70L NBR   | Sus.by V471-001200  |       |
| 11  |    | V471-001200  | 1    | PIPE           | 3*5*70 NBR    |                     |       |
| 12  |    | 132010-07530 | 1    | PIPE, FUEL     | 3*5*195L      | Sus.by V470-000580  |       |
| 12  |    | V470-000580  | 1    | PIPE           | 3*5*195       |                     |       |
| 13  |    | 132115-46730 | 1    | GROMMET, FUEL  |               |                     |       |
| 14  |    | 132013-09820 | 1    | CLIP           | 6MM           |                     |       |
| 15  |    | 131205-07320 | 1    | STRAINER, FUEL |               |                     |       |
| 16  |    | 132010-06460 | 1    | PIPE 3* 6*110  | 3*6*110 YL    |                     |       |

## 7. Fuel Tank



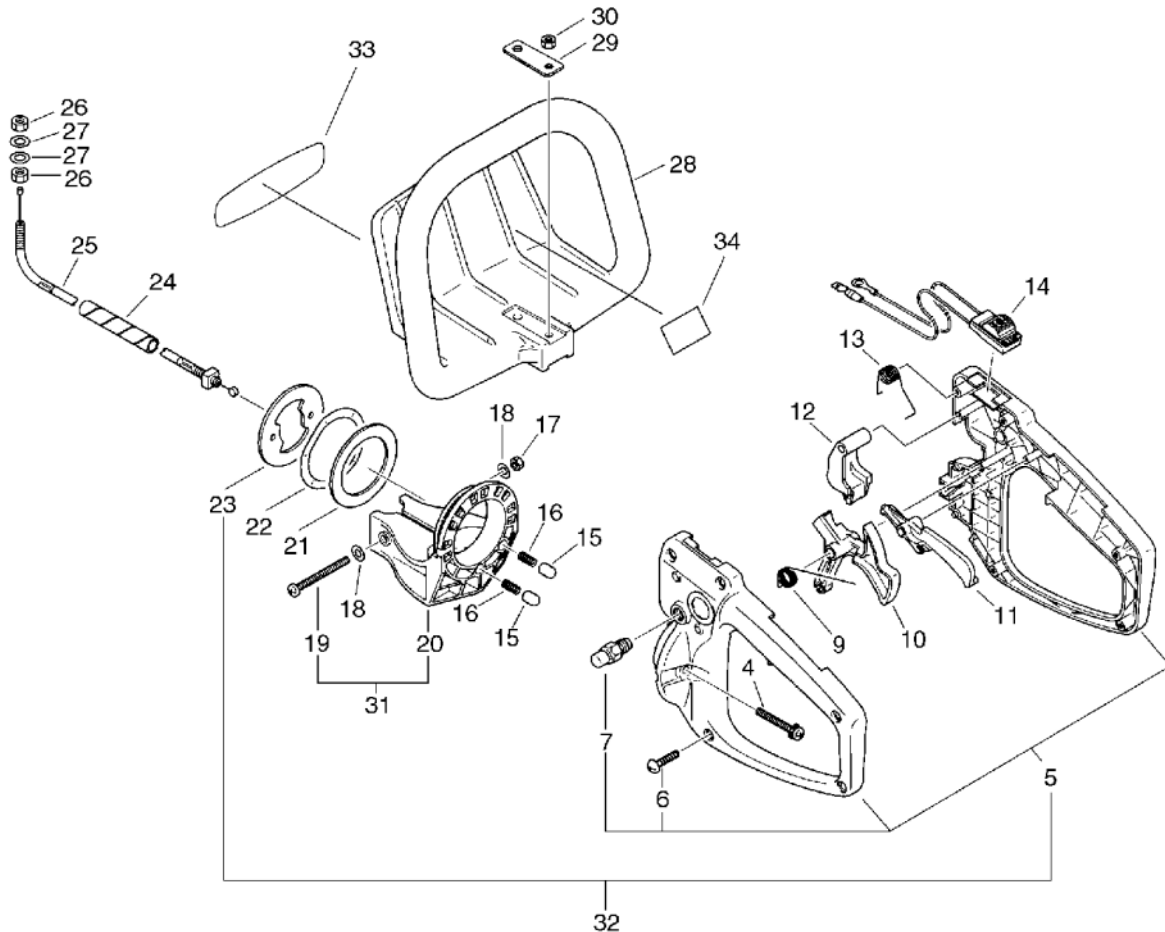
| KEY | LV | PART NUMBER  | Q'TY | DESCRIPTION      | REMARKS | NOTE1 | NOTE2 |
|-----|----|--------------|------|------------------|---------|-------|-------|
| 17  |    | 131004-08960 | 1    | CAP ASSY, FUEL   |         |       |       |
| 18  | +  | 131016-55830 | 1    | GASKET, FUEL CAP |         |       |       |
| 19  | +  | 131051-52430 | 1    | CONNECTOR, CAP   | 80L     |       |       |

## 8. Handle(Sr/Nr 36005212 and before)



| KEY | LV | PART NUMBER  | Q'TY | DESCRIPTION       | REMARKS  | NOTE1                  | NOTE2 |
|-----|----|--------------|------|-------------------|----------|------------------------|-------|
| 4   |    | 900238-05030 | 2    | SCREW 5*30        | 5*30     |                        |       |
| 5   |    | 351100-13360 | 1    | HANDLE SET, REAR  |          | Sus. by 351101-13360   |       |
| 32  |    | 351101-13360 | 1    | HANDLE SET, REAR  |          |                        |       |
| 5   | +  | 351100-13361 | 1    | HANDLE SET, REAR  |          | Sr/Nr 002331 and after |       |
| 6   | ++ | 900256-04016 | 5    | SCREW 4*16        | 4*16     |                        |       |
| 7   | ++ | 178302-13360 | 1    | LATCH ASY         |          |                        |       |
| 23  | +  | 351313-13361 | 1    | BRACKET, HANDLE   |          |                        |       |
| 8   |    | 890157-06560 | 1    | LABEL, SWITCH     |          | Sus. by 890157-39130   |       |
| 8   |    | 890157-39130 | 1    | LABEL, SWITCH     |          | Disuse                 |       |
| 9   |    | 178013-13660 | 1    | SPRING, TORSION   |          |                        |       |
| 10  |    | 178010-13360 | 1    | TRIGGER, THROTTLE |          | Sus. by 178010-13361   |       |
| 10  |    | 178010-13361 | 1    | TRIGGER, THROTTLE |          |                        |       |
| 11  |    | 178012-13360 | 1    | LOCKOUT, THROTTLE |          |                        |       |
| 12  |    | 351648-13360 | 1    | STOPPER, HANDLE   |          |                        |       |
| 13  |    | 178043-13660 | 1    | SPRING, TORSION   |          |                        |       |
| 14  |    | 163400-13360 | 1    | SWITCH, ON OFF    |          |                        |       |
| 15  |    | 605611-13360 | 2    | PIN               |          |                        |       |
| 16  |    | 178043-13360 | 2    | SPRING            |          |                        |       |
| 17  |    | 900560-00005 | 2    | NUT, LOCK 5       | 5        |                        |       |
| 18  |    | 900602-00005 | 4    | WASHER 5          | 5.3*10*1 | Sus. by 900600-00005   |       |
| 18  |    | 900600-00005 | 4    | WASHER 5          | 5        |                        |       |

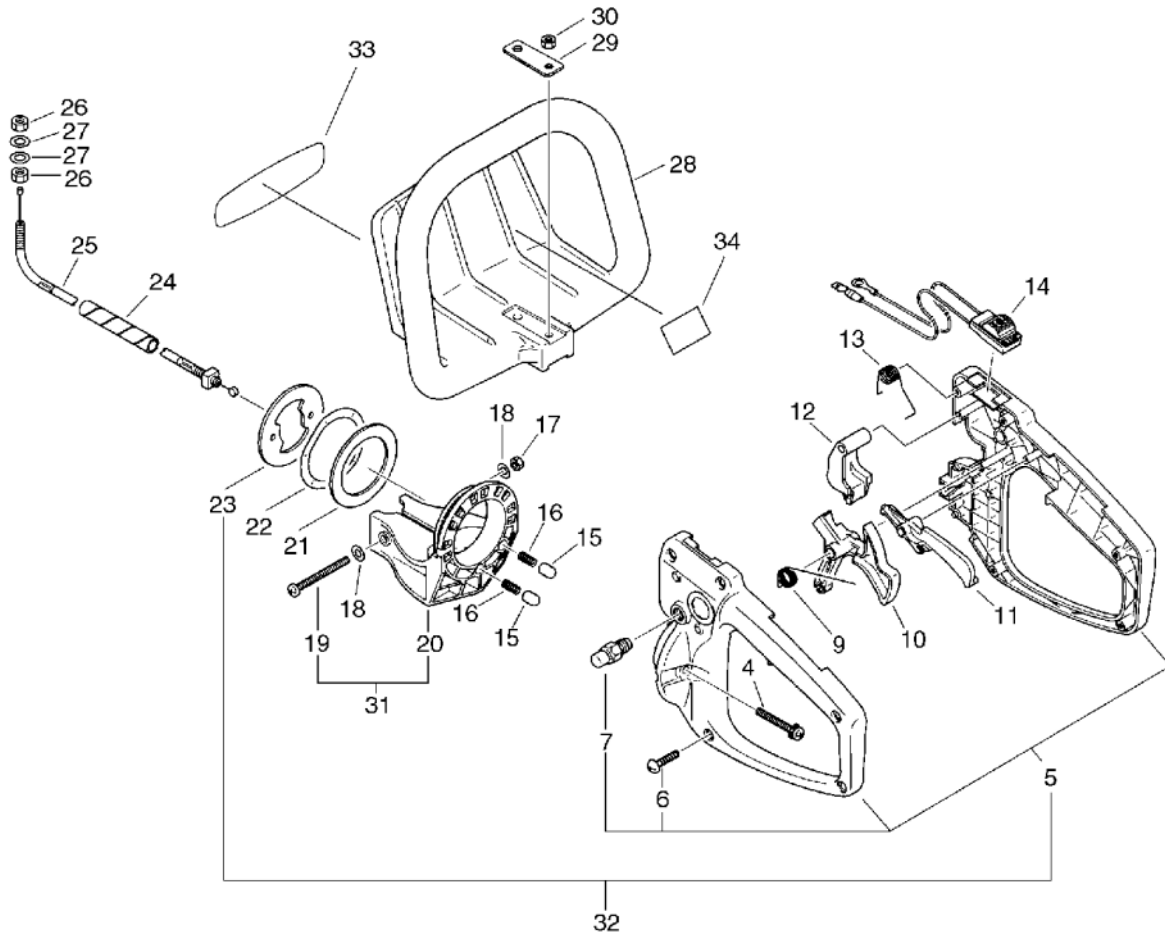
## 8. Handle(Sr/Nr 36005212 and before)



| KEY | LV | PART NUMBER  | Q'TY | DESCRIPTION     | REMARKS  | NOTE1                   | NOTE2 |
|-----|----|--------------|------|-----------------|----------|-------------------------|-------|
| 19  |    | 900220-05042 | 2    | SCREW 5*42      | 5*42     | Sr/Nr 002330 and before |       |
| 20  |    | 351312-13360 | 1    | FIXTURE, HANDLE |          | Sus. by 351312-13360    |       |
| 31  |    | 351308-13360 | 1    | FIXTURE, HANDLE |          |                         |       |
| 19  | +  | 900220-05045 | 2    | SCREW 5*45      | 5*45     | Sr/Nr 002331 and after  |       |
| 20  | +  | 351312-13361 | 1    | BRACKET, HANDLE |          | Sr/Nr 002331 and after  |       |
| 21  |    | 689025-13360 | 1    | SHIM            |          | Sus. by 689025-13361    |       |
| 21  |    | 689025-13361 | 1    | WASHER,CIRCUAR  |          |                         |       |
| 22  |    | 178129-13360 | 1    | WASHER          |          | Sus. by 178129-13361    |       |
| 22  |    | 178129-13361 | 1    | WASHER          |          |                         |       |
| 23  |    | 351313-13360 | 1    | FIXTURE, HANDLE |          | Sus. by 351313-13361    |       |
| 24  |    | 178127-13360 | 1    | TUBE            | 8*11*65L | Sus. by 178127-13361    |       |
| 24  |    | 178127-13361 | 1    | TUBE            | 8*11*50  |                         |       |
| 25  |    | 178001-13360 | 1    | CABLE, THROTTLE |          |                         |       |
| 26  |    | 900502-00006 | 2    | NUT 6 (3N)      | 3N6      |                         |       |
| 27  |    | 900600-00006 | 2    | WASHER 6        | 6        |                         |       |
| 28  |    | 351610-05360 | 1    | HANDLE, FRONT   |          |                         |       |
| 29  |    | 351611-05360 | 1    | WASHER          |          |                         |       |
| 30  |    | 900560-00005 | 1    | NUT, LOCK 5     | 5        |                         |       |

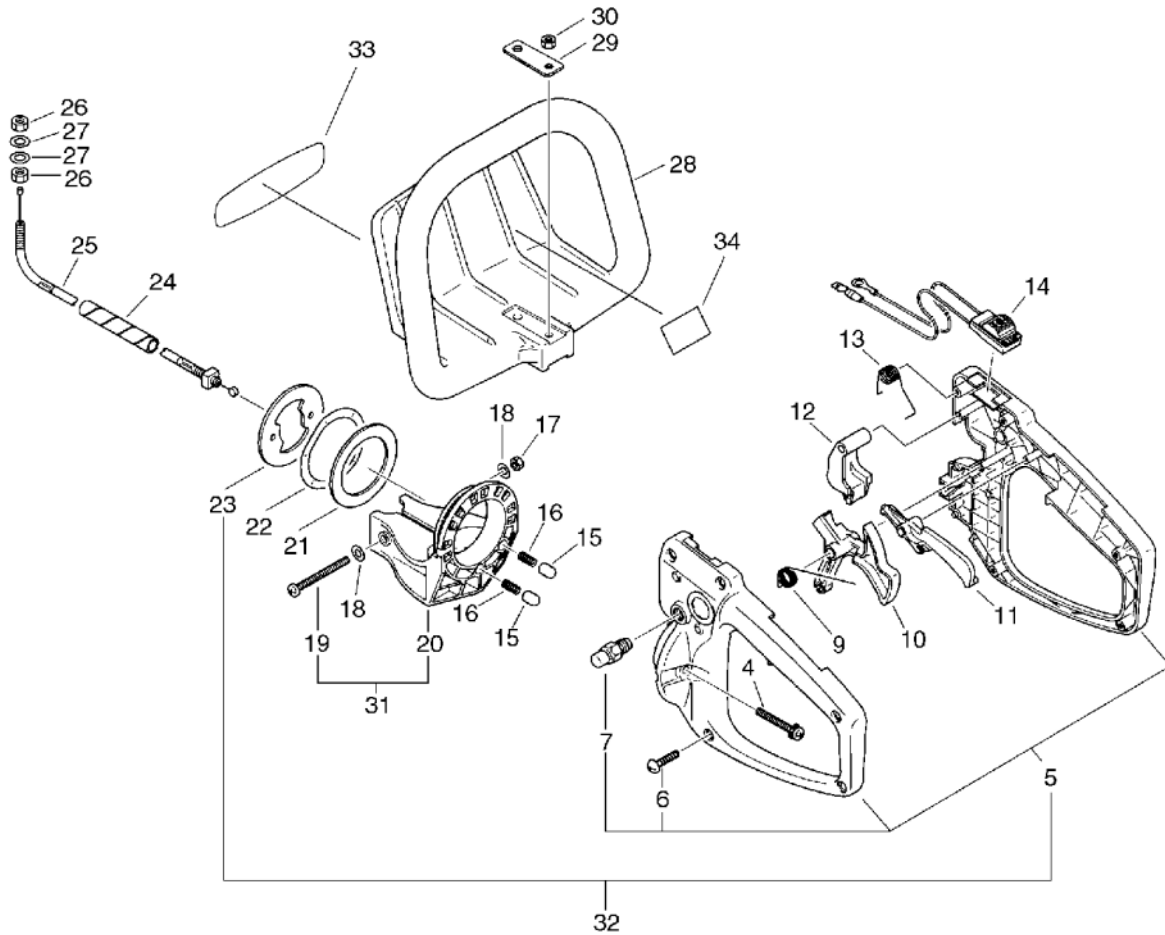


8. Handle(Sr/Nr 36005212 and before)



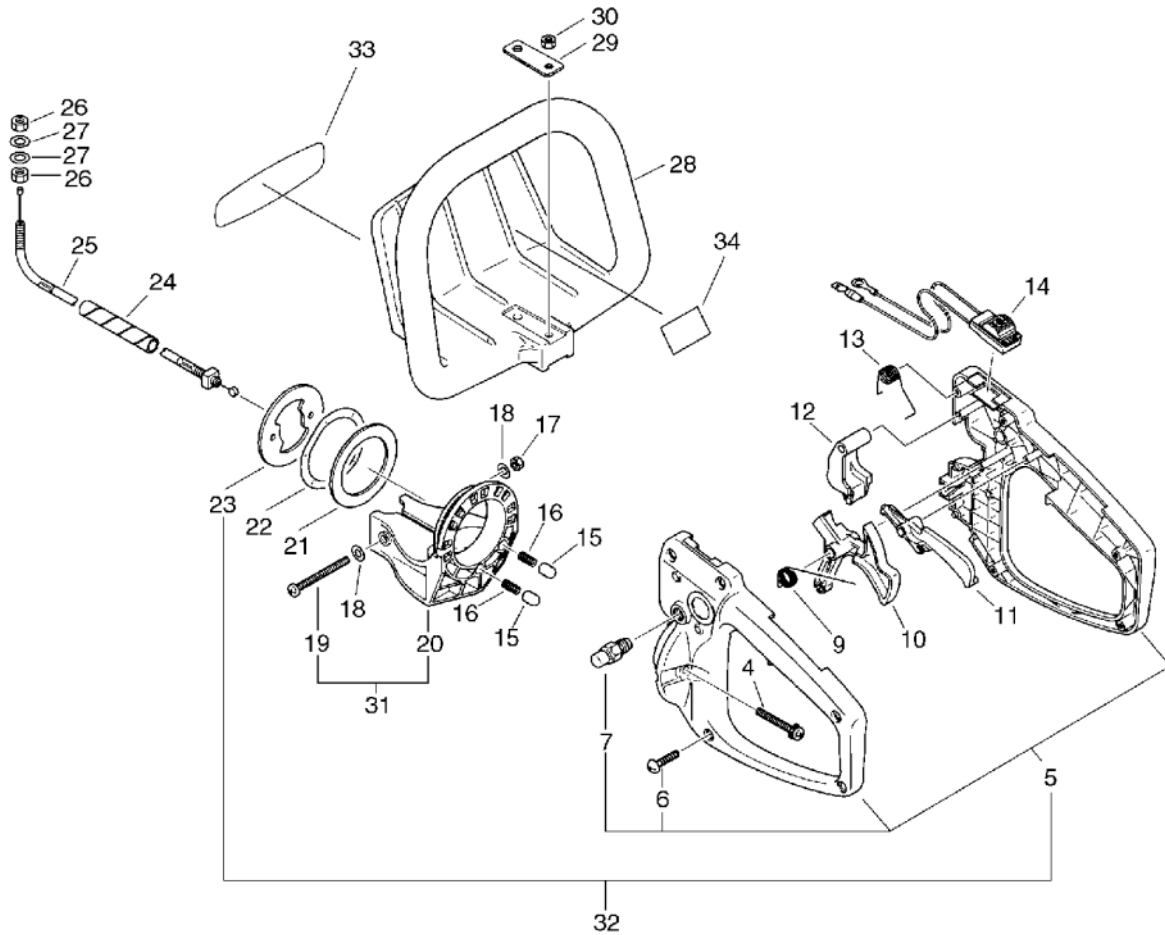
| KEY | LV | PART NUMBER | Q'TY | DESCRIPTION | REMARKS  | NOTE1               | NOTE2 |
|-----|----|-------------|------|-------------|----------|---------------------|-------|
| 33  |    | X502-000260 | 1    | LABEL,ECHO  | 100*26.9 | Sus. by X502-000430 |       |

## 9. Handle(Sr/Nr 36005213 and after)



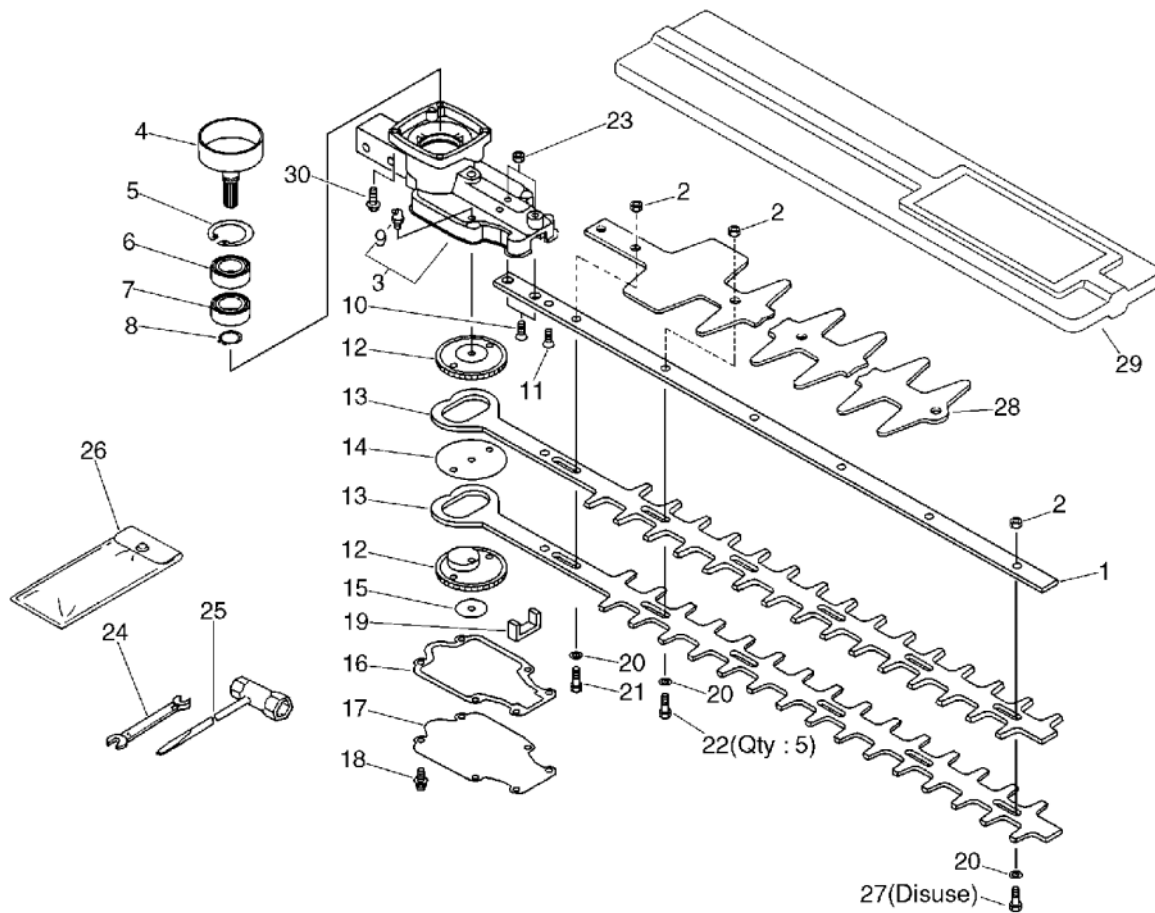
| KEY | LV | PART NUMBER  | Q'TY | DESCRIPTION       | REMARKS | NOTE1 | NOTE2 |
|-----|----|--------------|------|-------------------|---------|-------|-------|
| 4   |    | 900238-05030 | 2    | SCREW 5*30        | 5*30    |       |       |
| 32  |    | 351101-13360 | 1    | HANDLE SET, REAR  |         |       |       |
| 5   | +  | 351100-13361 | 1    | HANDLE SET, REAR  |         |       |       |
| 6   | ++ | 900256-04016 | 5    | SCREW 4*16        | 4*16    |       |       |
| 7   | ++ | 178302-13360 | 1    | LATCH ASY         |         |       |       |
| 23  | +  | 351313-13361 | 1    | BRACKET, HANDLE   |         |       |       |
| 9   |    | 178013-13660 | 1    | SPRING, TORSION   |         |       |       |
| 10  |    | 178010-13361 | 1    | TRIGGER, THROTTLE |         |       |       |
| 11  |    | 178012-13360 | 1    | LOCKOUT, THROTTLE |         |       |       |
| 12  |    | 351648-13360 | 1    | STOPPER, HANDLE   |         |       |       |
| 13  |    | 178043-13660 | 1    | SPRING, TORSION   |         |       |       |
| 14  |    | 163400-13360 | 1    | SWITCH, ON OFF    |         |       |       |
| 15  |    | 605611-13360 | 2    | PIN               |         |       |       |
| 16  |    | 178043-13360 | 2    | SPRING            |         |       |       |
| 17  |    | 900560-00005 | 2    | NUT, LOCK 5       | 5       |       |       |
| 18  |    | 900600-00005 | 4    | WASHER 5          | 5       |       |       |
| 31  |    | 351308-13360 | 1    | FIXTURE, HANDLE   |         |       |       |
| 19  | +  | 900220-05045 | 2    | SCREW 5*45        | 5*45    |       |       |
| 20  | +  | 351312-13361 | 1    | BRACKET, HANDLE   |         |       |       |
| 21  |    | 689025-13361 | 1    | WASHER, CIRCUAR   |         |       |       |
| 22  |    | 178129-13361 | 1    | WASHER            |         |       |       |
| 24  |    | 178127-13361 | 1    | TUBE              | 8*11*50 |       |       |
| 25  |    | 178001-13360 | 1    | CABLE, THROTTLE   |         |       |       |
| 26  |    | 900502-00006 | 2    | NUT 6 (3N)        | 3N6     |       |       |
| 27  |    | 900600-00006 | 2    | WASHER 6          | 6       |       |       |
| 28  |    | 351610-05360 | 1    | HANDLE, FRONT     |         |       |       |

9. Handle(Sr/Nr 36005213 and after)



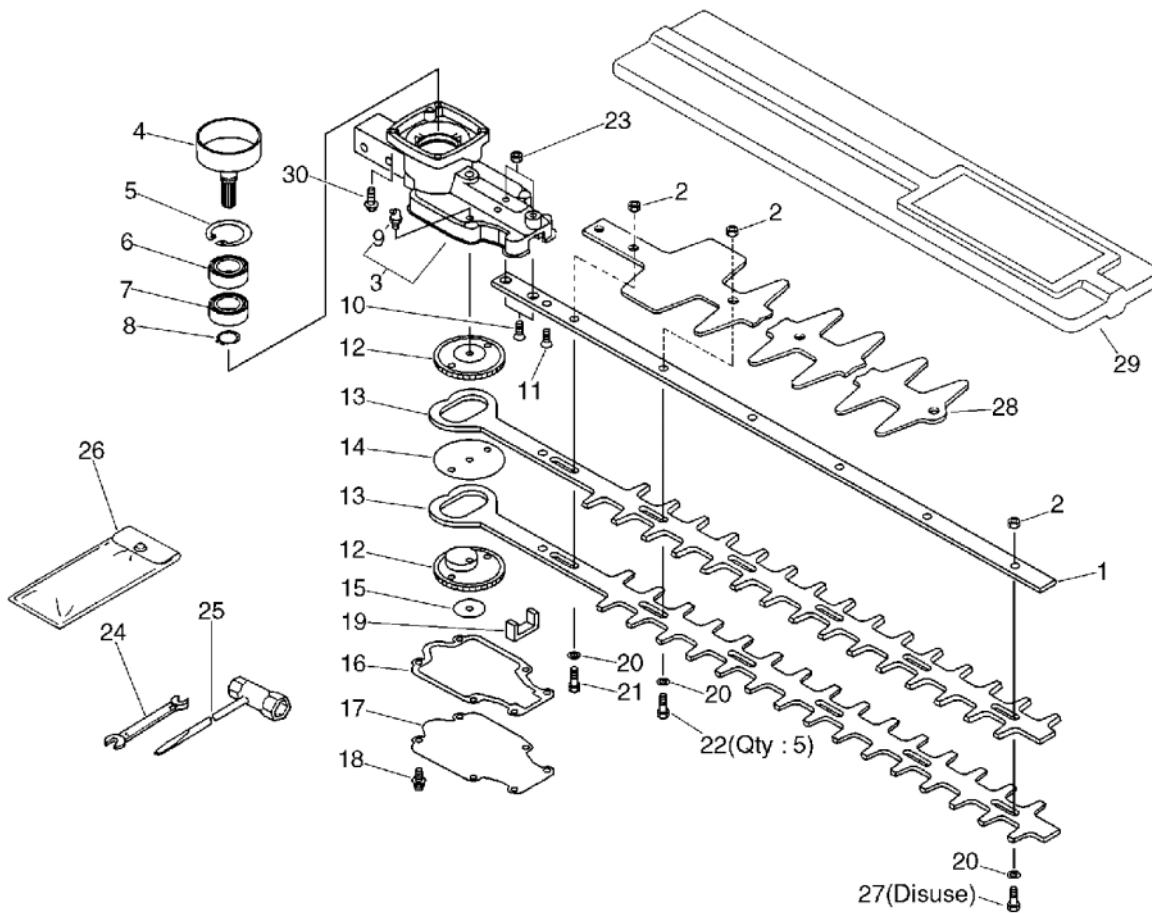
| KEY | LV | PART NUMBER  | Q'TY | DESCRIPTION   | REMARKS  | NOTE1               | NOTE2 |
|-----|----|--------------|------|---------------|----------|---------------------|-------|
| 29  |    | 351611-05360 | 1    | WASHER        |          |                     |       |
| 30  |    | 900560-00005 | 1    | NUT, LOCK 5   | 5        |                     |       |
| 33  |    | X502-000260  | 1    | LABEL,ECHO    | 100*26.9 | Sus. By X502-000430 |       |
| 33  |    | X502-000430  | 1    | LABEL,ECHO    |          |                     |       |
| 34  |    | X505-002030  | 1    | LABEL,CAUTION | 37*35    |                     |       |

## 10. Gear Case, Cutter, Tools (Sr/Nr 015205 and before)



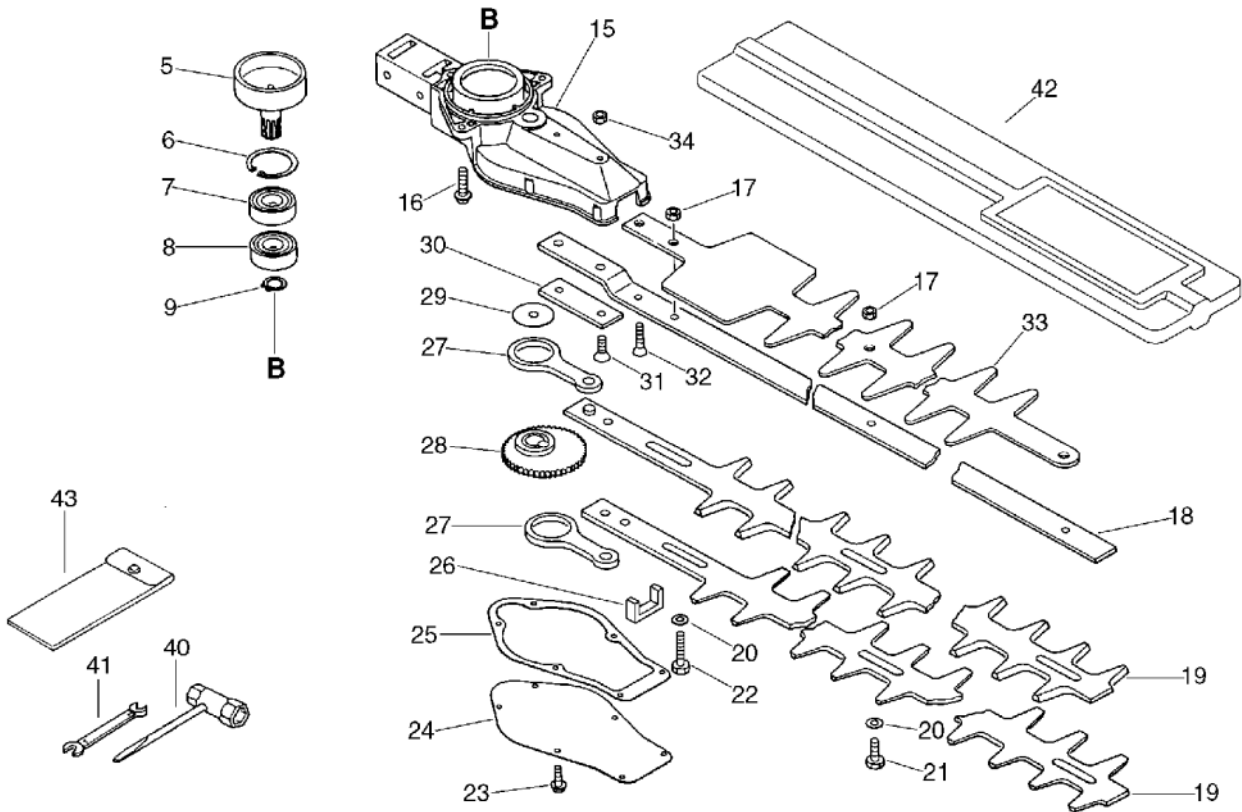
| KEY | LV | PART NUMBER  | Q'TY | DESCRIPTION          | REMARKS   | NOTE1               | NOTE2 |
|-----|----|--------------|------|----------------------|-----------|---------------------|-------|
| 1   |    | 699117-06560 | 1    | SUPPORT, CUTTER      |           | Sus. by X425-000010 |       |
| 1   |    | X425-000010  | 1    | SUPPORT,CUTTER       | HC-1500   |                     |       |
| 2   |    | 433022-06460 | 6    | NUT                  |           |                     |       |
| 3   |    | 610407-06560 | 1    | CASE, GEAR           |           |                     |       |
| 9   | +  | 880110-54230 | 1    | NIPPLE, GREASE       |           |                     |       |
| 4   |    | 175005-06560 | 1    | DRUM, CLUTCH         |           |                     |       |
| 5   |    | 900702-00035 | 1    | CIRCLIP 35           | CR-35     |                     |       |
| 6   |    | 900872-36202 | 1    | BEARING, BALL 6202   | 6202      |                     |       |
| 7   |    | 900870-36202 | 1    | BEARING, BALL 6202   | 6202/3    |                     |       |
| 8   |    | 900701-00014 | 1    | CIRCLIP 14           | CS-14     |                     |       |
| 10  |    | 900212-06030 | 2    | SCREW                |           |                     |       |
| 11  |    | 900212-05030 | 1    | SCREW (5*30*P0.8)    | +SF5*30   |                     |       |
| 12  |    | 610312-06560 | 2    | GEAR, SPUR           |           | Sus. by V650-000080 |       |
| 12  |    | V650-000080  | 2    | GEAR,SPUR            |           |                     |       |
| 13  |    | 697010-06560 | 2    | CUTTER               |           | Sus. by X411-000270 |       |
| 13  |    | X411-000020  | 2    | CUTTER               | HC-1500   | Sus. by X411-000270 |       |
| 13  |    | X411-000270  | 2    | CUTTER               | L=716     |                     |       |
| 14  |    | 689025-05360 | 1    | WASHER 6.7*54*0.38   |           |                     |       |
| 15  |    | 689025-06560 | 1    | WASHER 6.5*30*0.2    |           |                     |       |
| 16  |    | 610414-06560 | 1    | GASKET, GEAR HOUSING |           |                     |       |
| 17  |    | 610411-06560 | 1    | LID, GEARCASE        |           |                     |       |
| 18  |    | 900162-04012 | 6    | BOLT, H.S. 4*12      | 4*12 W,SW |                     |       |

10. Gear Case, Cutter, Tools (Sr/Nr 015205 and before)



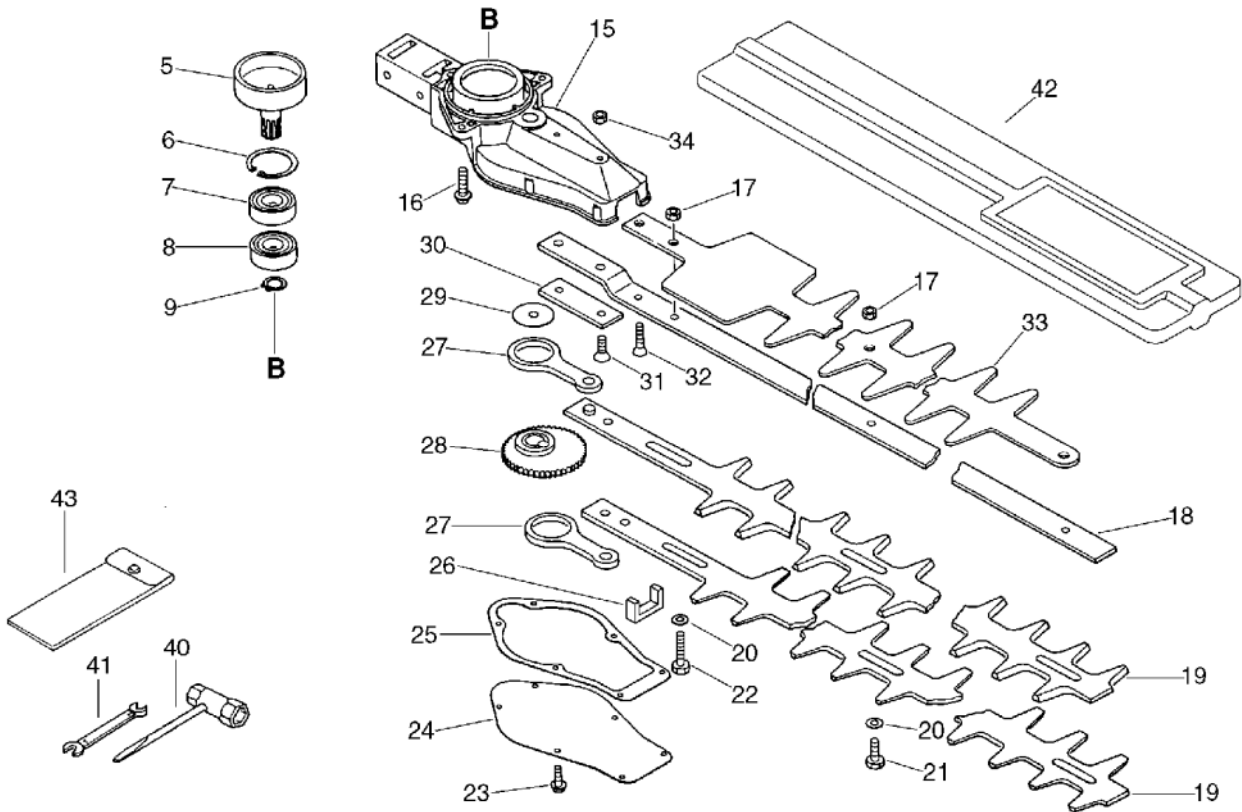
| KEY | LV | PART NUMBER  | Q'TY | DESCRIPTION         | REMARKS    | NOTE1               | NOTE2 |
|-----|----|--------------|------|---------------------|------------|---------------------|-------|
| 19  |    | 610426-06560 | 1    | SEAL                |            |                     |       |
| 20  |    | 699118-04560 | 6    | WASHER              |            |                     |       |
| 21  |    | 699115-06560 | 1    | BOLT, CUTTER        |            |                     |       |
| 22  |    | 699115-04660 | 4    | BOLT 6              | 6*18L      | Sus. by Qty5        |       |
| 22  |    | 699115-04660 | 5    | BOLT 6              | 6*18L      |                     |       |
| 23  |    | 900500-00006 | 2    | NUT 6               | 6          |                     |       |
| 24  |    | 895112-00330 | 1    | SPANNER 8*10        |            |                     |       |
| 25  |    | 895410-00430 | 1    | WRENCH, W/S. DRIVER |            |                     |       |
| 26  |    | 898510-39130 | 1    | BAG, TOOL           |            |                     |       |
| 27  |    | 699113-06560 | 1    | BOLT 6              |            | Disuse              |       |
| 28  |    | 699125-05360 | 1    | BLUNT               | (リゾウハ)483L | Sus. by X431-000000 |       |
| 28  |    | X431-000000  | 1    | BLUNT               | 483MM      |                     |       |
| 29  |    | 898523-06960 | 1    | SCABBARD, BLADE     |            | Sus. by X495-000051 |       |
| 29  |    | X495-000051  | 1    | SCABBARD, BLADE     |            |                     |       |
| 30  |    | 900162-04016 | 2    | BOLT, H.S. 4*16     | 4*16 W, SW |                     |       |

11. Gear Case, Cutter, Tools (Sr/Nr 015206 and after)



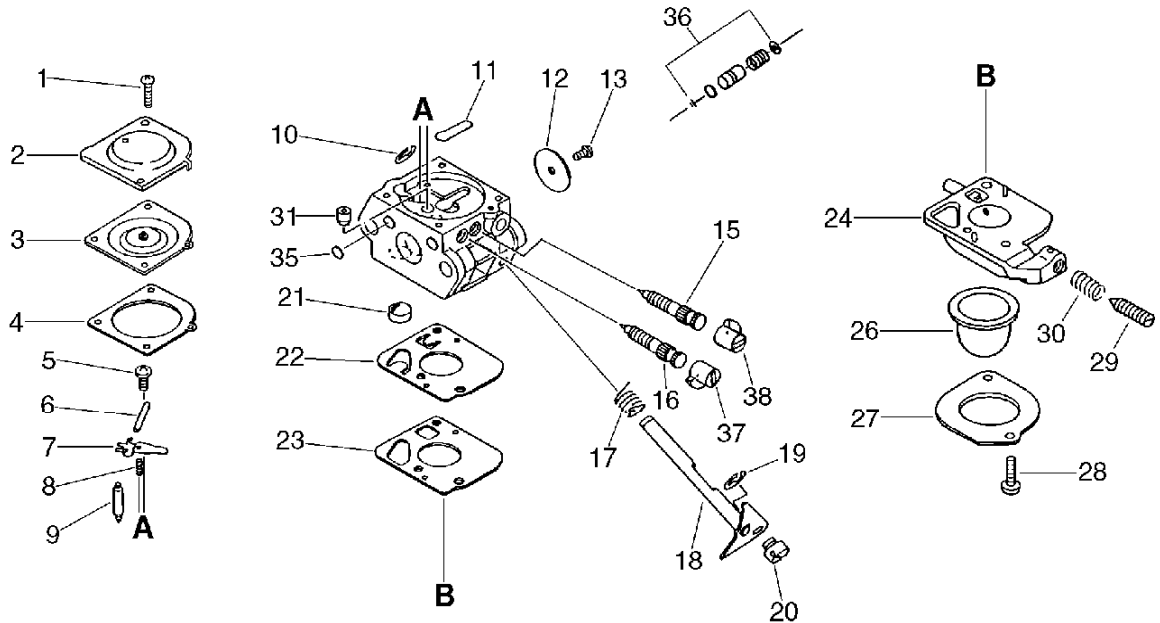
| KEY | LV | PART NUMBER  | Q'TY | DESCRIPTION          | REMARKS    | NOTE1               | NOTE2 |
|-----|----|--------------|------|----------------------|------------|---------------------|-------|
|     |    | 610403-06961 | 1    | CASE ASY, GEAR       |            | Sus. by P021-009370 |       |
|     |    | P021-009370  | 1    | HOUSING ASSY, GEAR   |            |                     |       |
| 5   | +  | 175005-04560 | 1    | DRUM, CLUTCH         |            |                     |       |
| 6   | +  | 900702-00035 | 1    | CIRCLIP 35           | CR-35      |                     |       |
| 7   | +  | 900813-36202 | 1    | BEARING, BALL 6202   | 6202Z/C3   |                     |       |
| 8   | +  | 900810-36202 | 1    | BEARING, BALL 6202   | 6202/C3    |                     |       |
| 9   | +  | 900701-00014 | 1    | CIRCLIP 14           | CS-14      |                     |       |
| 15  | +  | 610407-05360 | 1    | CASE, GEAR           |            |                     |       |
| 16  | +  | 900162-05020 | 3    | BOLT, H.S. 5*20      | 5*20 W, SW |                     |       |
| 17  | +  | 433022-06460 | 4    | NUT                  |            |                     |       |
| 18  | +  | 699110-06960 | 1    | BAR, FRAME           |            |                     |       |
| 19  | +  | X411-000050  | 2    | CUTTER               | 615L       | Sus. by X411-000280 |       |
| 19  | +  | X411-000280  | 2    | CUTTER               |            |                     |       |
| 20  | +  | 699118-04560 | 4    | WASHER               |            |                     |       |
| 21  | +  | 699115-04660 | 3    | BOLT 6               | 6*18L      |                     |       |
| 22  | +  | 699115-05360 | 1    | BOLT                 |            |                     |       |
| 23  | +  | 900162-04010 | 6    | BOLT, H.S. 4*10      | 4*10 W, SW |                     |       |
| 24  | +  | 610411-05361 | 1    | LID, GEARCASE        |            |                     |       |
| 25  | +  | 610414-05360 | 1    | GASKET, GEAR HOUSING |            |                     |       |
| 26  | +  | 610425-04560 | 1    | SEAL                 |            |                     |       |
| 27  | +  | 610330-04560 | 2    | ROD, CONNECTING      |            | Sus. by C532-000120 |       |
| 27  | +  | 610330-04561 | 2    | ROD, CONNECTING      |            | Sus. by C532-000120 |       |

## 11. Gear Case, Cutter, Tools (Sr/Nr 015206 and after)



| KEY | LV | PART NUMBER  | Q'TY | DESCRIPTION         | REMARKS | NOTE1                | NOTE2 |
|-----|----|--------------|------|---------------------|---------|----------------------|-------|
| 27  | +  | C532-000120  | 2    | ROD, CONNECTING     |         |                      |       |
| 28  | +  | 610312-04560 | 1    | GEAR                |         |                      |       |
| 29  | +  | 610350-04560 | 1    | WASHER              |         |                      |       |
| 30  | +  | 610440-04560 | 1    | HOLDER, FRAME       |         |                      |       |
| 31  | +  | 900212-06025 | 2    | SCREW 6*25          | +SF6*25 |                      |       |
| 32  | +  | 900212-05030 | 1    | SCREW (5*30*P0.8)   | +SF5*30 |                      |       |
| 33  | +  | 699125-06560 | 1    | BLUNT               | 539L    |                      |       |
| 34  | +  | 900500-00006 | 2    | NUT 6               | 6       |                      |       |
| 40  |    | 895410-00430 | 1    | WRENCH, W/S. DRIVER |         | Sus. by 895410-03930 |       |
| 41  |    | 895112-00330 | 1    | SPANNER 8*10        |         |                      |       |
| 42  |    | 898523-06960 | 1    | SCABBARD, BLADE     |         | Sus. by X495-000051  |       |
| 42  |    | X495-000051  | 1    | SCABBARD, BLADE     |         |                      |       |
| 43  |    | 898510-39130 | 1    | BAG, TOOL           |         |                      |       |

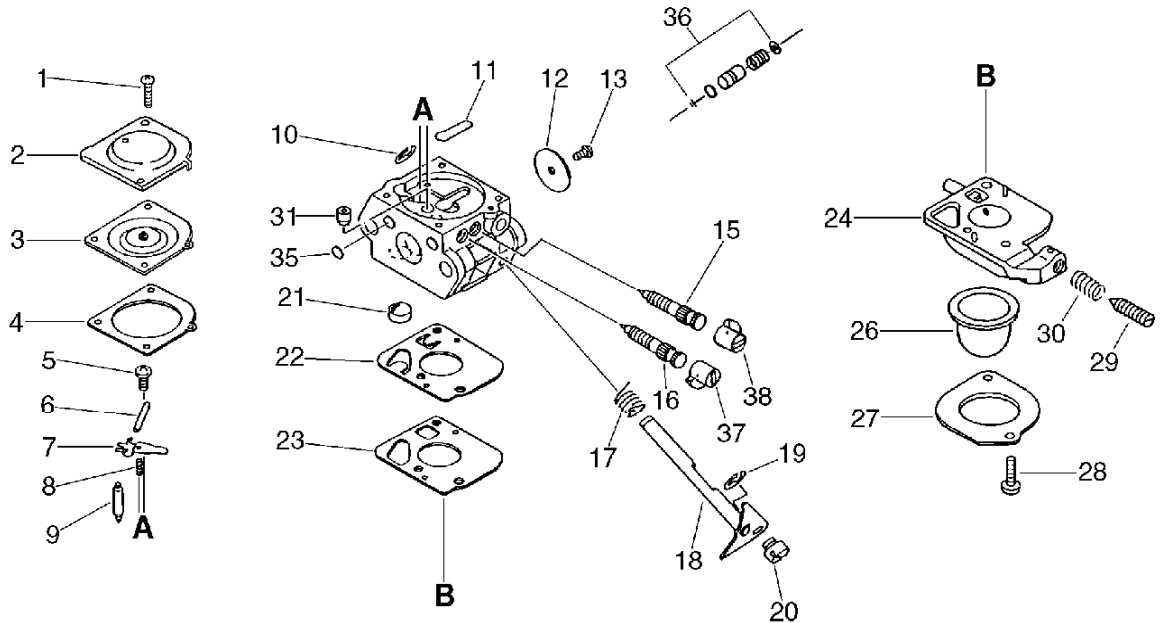
## 12. Carburetor(Sr/Nr 36005212 and before)



| KEY | LV | PART NUMBER  | Q'TY | DESCRIPTION          | REMARKS | NOTE1                | NOTE2 |
|-----|----|--------------|------|----------------------|---------|----------------------|-------|
|     |    | 125200-05961 | 1    | CARBURETOR C1U-K51   | C1U-K51 | Sus. by 125200-05964 |       |
|     |    | 125200-05962 | 1    | CARBURETOR           | C1U-K51 | Sus. by 125200-05964 |       |
|     |    | 125200-05963 | 1    | CARBURETOR C1U-K51   | C1U-K51 | Sus. by 125200-05964 |       |
|     |    | 125200-05964 | 1    | CARBURETOR           | C1U-K51 |                      |       |
| 1   | +  | 125344-52130 | 2    | SCREW                |         |                      |       |
| 2   | +  | 125342-13210 | 1    | COVER, DIAPHRAGM     |         | Sus. by 125342-52130 |       |
| 2   | +  | 125342-52130 | 1    | COVER, DIAPHRAGM     |         |                      |       |
| 3   | +  | 125341-49030 | 1    | DIAPHRAGM            |         |                      |       |
| 4   | +  | 125340-51030 | 1    | GASKET, DIAPHRAGM    |         |                      |       |
| 5   | +  | 125339-42030 | 1    | SCREW                |         |                      |       |
| 6   | +  | 125338-13930 | 1    | PIN, METERING ARM    |         |                      |       |
| 7   | +  | 125323-42030 | 1    | LEVER, METERING      |         |                      |       |
| 8   | +  | 125322-42030 | 1    | SPRING, COIL         |         |                      |       |
| 9   | +  | 125337-06960 | 1    | VALVE, INLET NEEDLE  |         |                      |       |
| 10  | +  | 125327-15130 | 1    | CLIP                 |         |                      |       |
| 11  | +  | 125345-15130 | 1    | PLUG, WELCH          |         |                      |       |
| 12  | +  | 125316-49030 | 1    | VALVE, THROTTLE      |         |                      |       |
| 13  | +  | 125314-13930 | 1    | SCREW                | 3*4     |                      |       |
| 15  | +  | 125318-13120 | 1    | SCREW, IDLE NEEDLE   |         |                      |       |
| 16  | +  | 125320-13310 | 1    | NEEDLE, HIGH SPEED   |         |                      |       |
| 17  | +  | 125313-42030 | 1    | SPRING, THRT. RETURN |         |                      |       |
| 18  | +  | 125317-13310 | 1    | SHAFT, THROTTLE      |         |                      |       |

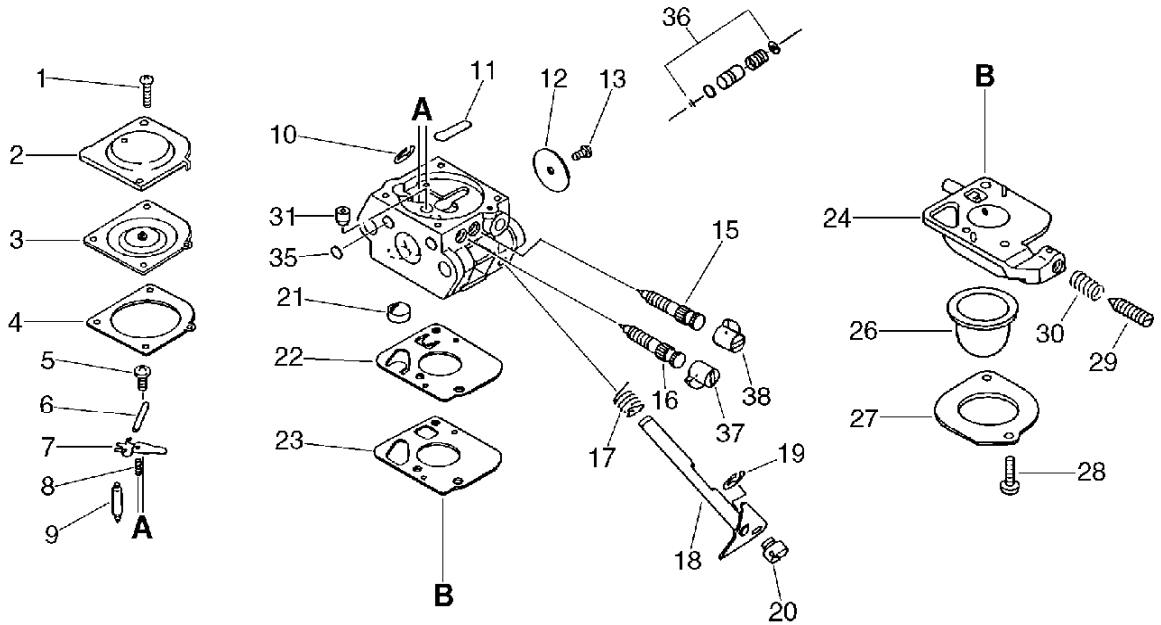


## 12. Carburetor(Sr/Nr 36005212 and before)



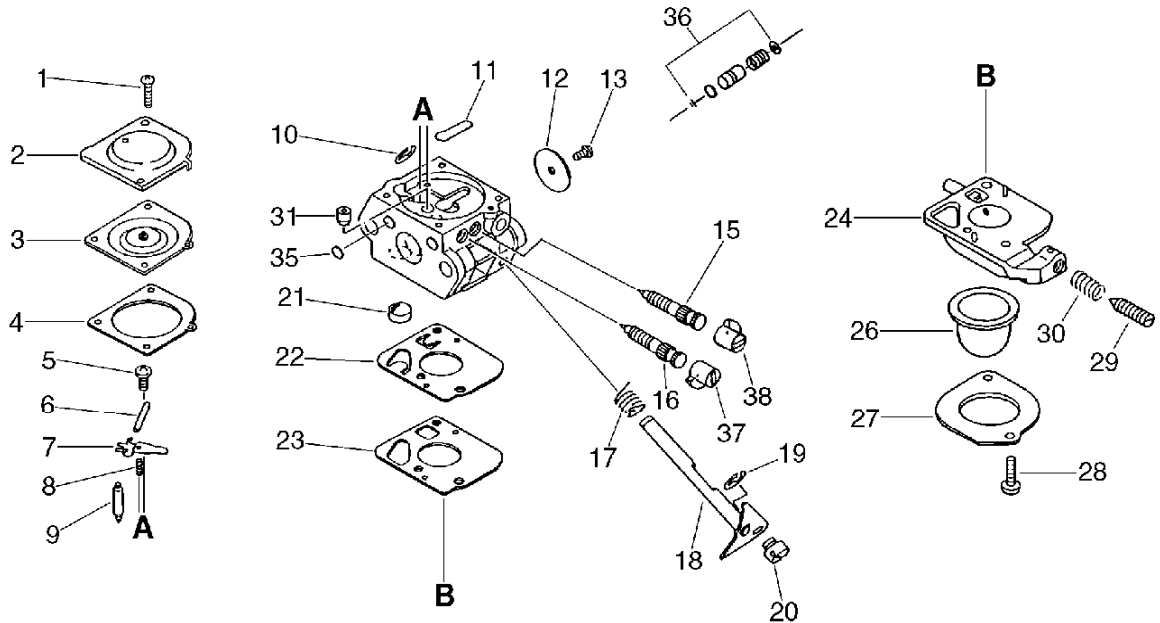
| KEY | LV | PART NUMBER  | Q'TY | DESCRIPTION            | REMARKS | NOTE1                     | NOTE2 |
|-----|----|--------------|------|------------------------|---------|---------------------------|-------|
| 19  | +  | 125327-13930 | 1    | CLIP                   |         |                           |       |
| 20  | +  | 125372-42030 | 1    | SWIVEL                 |         |                           |       |
| 21  | +  | 125326-42030 | 1    | STRAINER               |         |                           |       |
| 22  | +  | 125312-12820 | 1    | DIAPHRAGM, FUEL PUMP   |         |                           |       |
| 23  | +  | 125325-13310 | 1    | GASKET, PUMP           |         |                           |       |
| 24  | +  | 125383-13310 | 1    | BASE, PRIMER           |         |                           |       |
| 26  | +  | 125381-08660 | 1    | PUMP, PRIMING          |         |                           |       |
| 27  | +  | 125363-11610 | 1    | RING                   |         |                           |       |
| 28  | +  | 125310-11610 | 2    | SCREW                  |         |                           |       |
| 29  | +  | 125334-13930 | 1    | SCREW, IDLE ADJUST     |         | Sr/Nr 003527 and before   |       |
| 29  | +  | 125334-06960 | 1    | SCREW, THROTTLE ADJUST |         | Sr/Nr 003528 and after    |       |
| 30  | +  | 125378-13930 | 1    | PIECE, FRICTION        |         | Sr/Nr 003527 and before   |       |
| 30  | +  | 125333-06960 | 1    | SPRING, IDLE ADJUSTER  |         | Sr/Nr 003528 and after    |       |
| 31  | +  | 125376-13120 | 1    | NOZZLE, CHECK VALVE    |         |                           |       |
| 34  | +  | 125329-39030 | 1    | LIMITER, MIXTURE       |         | Sr/Nr 35999999 and before |       |
| 35  | +  | 125345-13310 | 1    | PLUG, WELCH            |         |                           |       |
| 36  | +  | 125306-13120 | 1    | PUMP KIT, ACC.         |         | Sus. by P005-002020       |       |
| 37  |    | A259-000030  | 1    | CAP, LIMITER           |         | Sr/Nr 36001001 and after  |       |

12. Carburetor(Sr/Nr 36005212 and before)



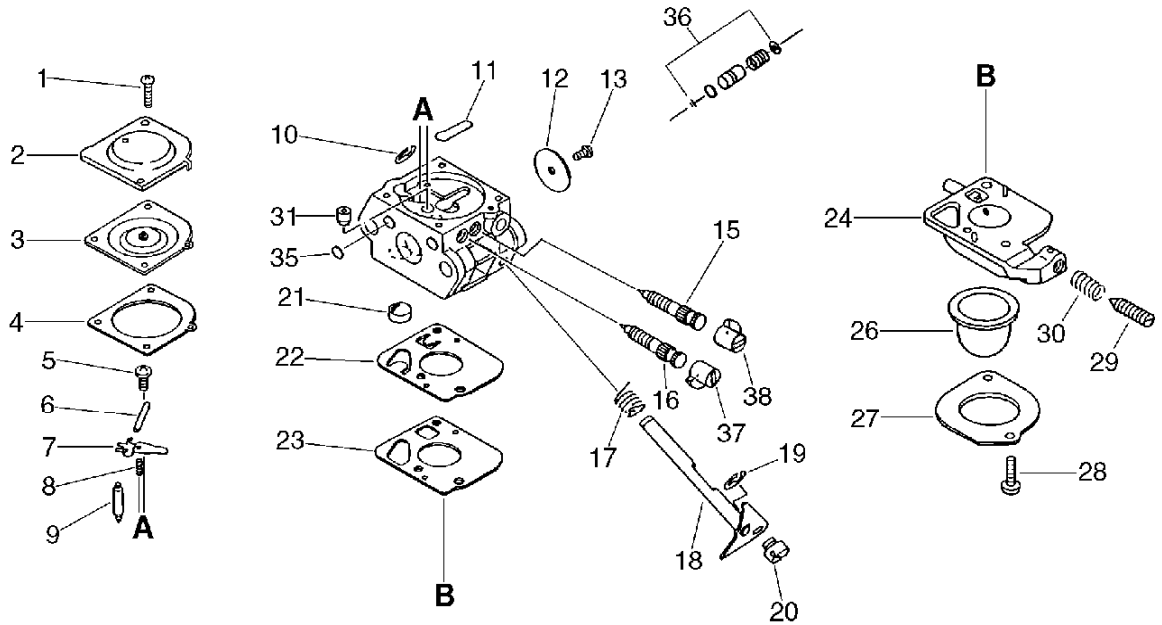
| KEY | LV | PART NUMBER  | Q'TY | DESCRIPTION          | REMARKS | NOTE1          | NOTE2 |
|-----|----|--------------|------|----------------------|---------|----------------|-------|
| 38  |    | 125329-09860 | 1    | LIMITER, MIXTURE     |         | Sr/Nr 36001001 |       |
|     |    | 125303-13310 | 1    | DIAPHRAGM/GASKET KIT |         | and after      |       |
|     |    | 125300-13310 | 1    | REBUILD KIT          |         |                |       |

## 13. Carburetor(Sr/Nr 36005213 and after)



| KEY | LV | PART NUMBER  | Q'TY | DESCRIPTION          | REMARKS | NOTE1 | NOTE2 |
|-----|----|--------------|------|----------------------|---------|-------|-------|
|     |    | 125200-05964 | 1    | CARBURETOR           | C1U-K51 |       |       |
| 1   | +  | 125344-52130 | 2    | SCREW                |         |       |       |
| 2   | +  | 125342-52130 | 1    | COVER, DIAPHRAGM     |         |       |       |
| 3   | +  | 125341-49030 | 1    | DIAPHRAGM            |         |       |       |
| 4   | +  | 125340-51030 | 1    | GASKET, DIAPHRAGM    |         |       |       |
| 5   | +  | 125339-42030 | 1    | SCREW                |         |       |       |
| 6   | +  | 125338-13930 | 1    | PIN, METERING ARM    |         |       |       |
| 7   | +  | 125323-42030 | 1    | LEVER, METERING      |         |       |       |
| 8   | +  | 125322-42030 | 1    | SPRING, COIL         |         |       |       |
| 9   | +  | 125337-06960 | 1    | VALVE, INLET NEEDLE  |         |       |       |
| 10  | +  | 125327-15130 | 1    | CLIP                 |         |       |       |
| 11  | +  | 125345-15130 | 1    | PLUG, WELCH          |         |       |       |
| 12  | +  | 125316-49030 | 1    | VALVE, THROTTLE      |         |       |       |
| 13  | +  | 125314-13930 | 1    | SCREW                | 3*4     |       |       |
| 15  | +  | 125318-13120 | 1    | SCREW, IDLE NEEDLE   |         |       |       |
| 16  | +  | 125320-13310 | 1    | NEEDLE, HIGH SPEED   |         |       |       |
| 17  | +  | 125313-42030 | 1    | SPRING, THRT. RETURN |         |       |       |
| 18  | +  | 125317-13310 | 1    | SHAFT, THROTTLE      |         |       |       |
| 19  | +  | 125327-13930 | 1    | CLIP                 |         |       |       |
| 20  | +  | 125372-42030 | 1    | SWIVEL               |         |       |       |
| 21  | +  | 125326-42030 | 1    | STRAINER             |         |       |       |
| 22  | +  | 125312-12820 | 1    | DIAPHRAGM, FUEL PUMP |         |       |       |
| 23  | +  | 125325-13310 | 1    | GASKET, PUMP         |         |       |       |
| 24  | +  | P005-000590  | 1    | BASE, ASY PRIMER     |         |       |       |
| 26  | +  | 125381-08660 | 1    | PUMP, PRIMING        |         |       |       |
| 27  | +  | 125363-11610 | 1    | RING                 |         |       |       |

13. Carburetor(Sr/Nr 36005213 and after)



| KEY | LV | PART NUMBER  | Q'TY | DESCRIPTION          | REMARKS | NOTE1               | NOTE2 |
|-----|----|--------------|------|----------------------|---------|---------------------|-------|
| 28  | +  | 125310-11610 | 2    | SCREW                |         |                     |       |
| 29  | +  | 125334-06960 | 1    | SCREW,THROTTLEADJUST |         |                     |       |
| 30  | +  | 125333-06960 | 1    | SPRING,IDLE ADJUSTER |         |                     |       |
| 31  | +  | 125376-13120 | 1    | NOZZLE, CHECK VALVE  |         |                     |       |
| 35  | +  | 125345-13310 | 1    | PLUG, WELCH          |         |                     |       |
| 36  | +  | 125306-13120 | 1    | PUMP KIT, ACC.       |         | Sus. by P005-002020 |       |
| 36  | +  | P005-002020  | 1    | PUMP KIT, ACC        |         |                     |       |
| 37  |    | A259-000030  | 1    | CAP,LIMITER          |         |                     |       |
| 38  |    | 125329-09860 | 1    | LIMITER, MIXTURE     |         |                     |       |

## 14. Repair Kit

| KEY  | LV | PART NUMBER  | Q'TY | DESCRIPTION          | REMARKS | NOTE1 | NOTE2 |
|------|----|--------------|------|----------------------|---------|-------|-------|
|      |    | 125303-13310 | 1    | DIAPHRAGM/GASKET KIT |         |       |       |
| 7-3  | +  | 125341-49030 | 1    | DIAPHRAGM            |         |       |       |
| 7-4  | +  | 125340-51030 | 1    | GASKET, DIAPHRAGM    |         |       |       |
| 7-22 | +  | 125312-12820 | 1    | DIAPHRAGM, FUEL PUMP |         |       |       |
| 7-23 | +  | 125325-13310 | 1    | GASKET, PUMP         |         |       |       |
|      |    | 125300-13310 | 1    | REBUILD KIT          |         |       |       |
| 7-3  | +  | 125341-49030 | 1    | DIAPHRAGM            |         |       |       |
| 7-4  | +  | 125340-51030 | 1    | GASKET, DIAPHRAGM    |         |       |       |
| 7-6  | +  | 125338-13930 | 1    | PIN, METERING ARM    |         |       |       |
| 7-7  | +  | 125323-42030 | 1    | LEVER, METERING      |         |       |       |
| 7-8  | +  | 125322-42030 | 1    | SPRING, COIL         |         |       |       |
| 7-9  | +  | 125337-06960 | 1    | VALVE, INLET NEEDLE  |         |       |       |
| 7-11 | +  | 125345-15130 | 1    | PLUG, WELCH          |         |       |       |
| 7-21 | +  | 125326-42030 | 1    | STRAINER             |         |       |       |
| 7-22 | +  | 125312-12820 | 1    | DIAPHRAGM, FUEL PUMP |         |       |       |
| 7-23 | +  | 125325-13310 | 1    | GASKET, PUMP         |         |       |       |

**Index**

| <b>Patrs Number</b> | <b>Key No.</b> | <b>Patrs Number</b> | <b>Key No.</b> | <b>Patrs Number</b> | <b>Key No.</b> |
|---------------------|----------------|---------------------|----------------|---------------------|----------------|
| 100000-06962        | 1 - 11         | 125310-11610        | 12 - 28        | 125339-42030        | 12 - 5         |
| 100011-05330        | 1 - 17         | 125310-11610        | 13 - 28        | 125339-42030        | 13 - 5         |
| 100013-11520        | 1 - 16         | 125312-12820        | 12 - 22        | 125340-51030        | 12 - 4         |
| 100013-11520        | 2 - 16         | 125312-12820        | 13 - 22        | 125340-51030        | 13 - 4         |
| 100014-08960        | 1 - 13         | 125312-12820        | 14 - 7-22      | 125340-51030        | 14 - 7-4       |
| 100014-08960        | 2 - 13         | 125312-12820        | 14 - 7-22      | 125340-51030        | 14 - 7-4       |
| 100015-04630        | 1 - 15         | 125313-42030        | 12 - 17        | 125341-49030        | 12 - 3         |
| 100015-04630        | 2 - 15         | 125313-42030        | 13 - 17        | 125341-49030        | 13 - 3         |
| 100100-06560        | 1 - 10         | 125314-13930        | 12 - 13        | 125341-49030        | 14 - 7-3       |
| 100100-06561        | 1 - 10         | 125314-13930        | 13 - 13        | 125341-49030        | 14 - 7-3       |
| 100100-06562        | 1 - 10         | 125316-49030        | 12 - 12        | 125342-13210        | 12 - 2         |
| 100100-06563        | 1 - 10         | 125316-49030        | 13 - 12        | 125342-52130        | 12 - 2         |
| 100100-06564        | 1 - 10         | 125317-13310        | 12 - 18        | 125342-52130        | 13 - 2         |
| 100100-06564        | 2 - 10         | 125317-13310        | 13 - 18        | 125344-52130        | 12 - 1         |
| 100113-05930        | 1 - 12         | 125318-13120        | 12 - 15        | 125344-52130        | 13 - 1         |
| 100113-05930        | 2 - 12         | 125318-13120        | 13 - 15        | 125345-13310        | 12 - 35        |
| 100204-05360        | 1 - 4          | 125320-13310        | 12 - 16        | 125345-13310        | 13 - 35        |
| 100204-05361        | 1 - 4          | 125320-13310        | 13 - 16        | 125345-15130        | 12 - 11        |
| 100204-05361        | 2 - 4          | 125322-42030        | 12 - 8         | 125345-15130        | 13 - 11        |
| 100212-42030        | 1 - 5          | 125322-42030        | 13 - 8         | 125345-15130        | 14 - 7-11      |
| 100212-42031        | 1 - 5          | 125322-42030        | 14 - 7-8       | 125363-11610        | 12 - 27        |
| 100212-42031        | 2 - 5          | 125323-42030        | 12 - 7         | 125363-11610        | 13 - 27        |
| 100215-03930        | 1 - 9          | 125323-42030        | 13 - 7         | 125372-42030        | 12 - 20        |
| 100215-03930        | 2 - 9          | 125323-42030        | 14 - 7-7       | 125372-42030        | 13 - 20        |
| 100242-42030        | 1 - 8          | 125325-13310        | 12 - 23        | 125376-13120        | 12 - 31        |
| 100242-42030        | 2 - 8          | 125325-13310        | 13 - 23        | 125376-13120        | 13 - 31        |
| 101010-44332        | 1 - 27         | 125325-13310        | 14 - 7-23      | 125378-13930        | 12 - 30        |
| 101010-44332        | 2 - 27         | 125325-13310        | 14 - 7-23      | 125381-08660        | 12 - 26        |
| 101011-06562        | 1 - 19         | 125326-42030        | 12 - 21        | 125381-08660        | 13 - 26        |
| 101011-06562        | 2 - 19         | 125326-42030        | 13 - 21        | 125383-13310        | 12 - 24        |
| 101506-05361        | 2 - 25         | 125326-42030        | 14 - 7-21      | 129011-52730        | 5 - 16         |
| 101506-06560        | 1 - 25         | 125327-13930        | 12 - 19        | 129011-52730        | 6 - 16         |
| 101506-06561        | 1 - 25         | 125327-13930        | 13 - 19        | 130010-42032        | 5 - 5          |
| 125200-05961        | 12 -           | 125327-15130        | 12 - 10        | 130010-42032        | 6 - 5          |
| 125200-05961        | 5 - 10         | 125327-15130        | 13 - 10        | 130016-42031        | 5 - 9          |
| 125200-05962        | 12 -           | 125329-09860        | 12 - 38        | 130016-42031        | 6 - 9          |
| 125200-05962        | 5 - 10         | 125329-09860        | 13 - 38        | 130017-42031        | 5 - 7          |
| 125200-05963        | 12 -           | 125329-39030        | 12 - 34        | 130017-42031        | 6 - 7          |
| 125200-05963        | 5 - 10         | 125333-06960        | 12 - 30        | 130307-06561        | 5 - 14         |
| 125200-05964        | 12 -           | 125333-06960        | 13 - 30        | 130310-54130        | 5 - 18         |
| 125200-05964        | 13 -           | 125334-06960        | 12 - 29        | 130310-54130        | 6 - 18         |
| 125200-05964        | 5 - 10         | 125334-06960        | 13 - 29        | 130313-05863        | 6 - 19         |
| 125200-05964        | 6 - 10         | 125334-13930        | 12 - 29        | 130313-06563        | 5 - 19         |
| 125300-13310        | 12 -           | 125337-06960        | 12 - 9         | 131004-08960        | 7 - 17         |
| 125300-13310        | 14 -           | 125337-06960        | 13 - 9         | 131005-05360        | 7 - 5          |
| 125303-13310        | 12 -           | 125337-06960        | 14 - 7-9       | 131005-05361        | 7 - 5          |
| 125303-13310        | 14 -           | 125338-13930        | 12 - 6         | 131016-55830        | 7 - 18         |
| 125306-13120        | 12 - 36        | 125338-13930        | 13 - 6         | 131051-52430        | 7 - 19         |
| 125306-13120        | 13 - 36        | 125338-13930        | 14 - 7-6       | 131205-07320        | 7 - 15         |

**Index**

| <b>Patrs Number</b> | <b>Key No.</b> | <b>Patrs Number</b> | <b>Key No.</b> | <b>Patrs Number</b> | <b>Key No.</b> |
|---------------------|----------------|---------------------|----------------|---------------------|----------------|
| 131300-56430        | 7 - 9          | 175018-05960        | 4 - 43         | 178129-13361        | 9 - 22         |
| 131312-39130        | 7 - 11         | 175019-04920        | 3 - 41         | 178302-13360        | 8 - 7          |
| 131312-44330        | 7 - 11         | 175019-04920        | 4 - 41         | 178302-13360        | 9 - 7          |
| 132010-06460        | 7 - 16         | 175055-05360        | 3 - 47         | 210417-52730        | 5 - 20         |
| 132010-07530        | 7 - 12         | 175055-05360        | 4 - 47         | 210417-52730        | 6 - 20         |
| 132013-09820        | 7 - 14         | 177200-05363        | 4 - 7          | 351100-13360        | 8 - 5          |
| 132115-46730        | 7 - 13         | 177200-06562        | 3 - 7          | 351100-13361        | 8 - 5          |
| 145510-42031        | 5 - 30         | 177200-06562        | 3 - 7          | 351100-13361        | 9 - 5          |
| 145510-42032        | 5 - 30         | 177200-06563        | 3 - 7          | 351101-13360        | 8 - 32         |
| 145802-05360        | 5 - 28         | 177200-12220        | 3 - 7          | 351101-13360        | 9 - 32         |
| 145802-05361        | 5 - 28         | 177202-44330        | 3 - 18         | 351308-13360        | 8 - 31         |
| 145802-05361        | 6 - 28         | 177202-44331        | 3 - 18         | 351308-13360        | 9 - 31         |
| 145863-06560        | 5 - 34         | 177202-44331        | 4 - 18         | 351312-13360        | 8 - 20         |
| 145866-42031        | 5 - 32         | 177215-44430        | 3 - 10         | 351312-13361        | 8 - 20         |
| 145866-42031        | 6 - 32         | 177215-44430        | 4 - 10         | 351312-13361        | 9 - 20         |
| 145871-05360        | 5 - 29         | 177218-44330        | 3 - 19         | 351313-13360        | 8 - 23         |
| 145871-05360        | 6 - 29         | 177218-44330        | 4 - 19         | 351313-13361        | 8 - 23         |
| 145876-42030        | 5 - 33         | 177220-42030        | 3 - 9          | 351313-13361        | 9 - 23         |
| 145876-42030        | 6 - 33         | 177220-42030        | 4 - 9          | 351610-05360        | 8 - 28         |
| 156110-04920        | 3 - 31         | 177226-05530        | 3 - 13         | 351610-05360        | 9 - 28         |
| 156110-04920        | 4 - 31         | 177226-05530        | 4 - 13         | 351611-05360        | 8 - 29         |
| 156114-04920        | 3 - 27         | 177227-42030        | 3 - 14         | 351611-05360        | 9 - 29         |
| 156114-04920        | 4 - 27         | 177227-42030        | 4 - 14         | 351648-13360        | 8 - 12         |
| 156601-52130        | 3 - 25         | 177228-06530        | 3 - 15         | 351648-13360        | 9 - 12         |
| 156626-11820        | 3 - 25         | 177228-06530        | 3 - 15         | 433022-06460        | 10 - 2         |
| 156801-05360        | 3 - 23         | 177228-06530        | 4 - 15         | 433022-06460        | 11 - 17        |
| 156801-05360        | 4 - 23         | 177228-11120        | 3 - 15         | 605611-13360        | 8 - 15         |
| 156801-44330        | 3 - 23         | 177234-42030        | 3 - 20         | 605611-13360        | 9 - 15         |
| 159011-03432        | 3 - 29         | 177234-42030        | 4 - 20         | 610312-04560        | 11 - 28        |
| 159011-03432        | 4 - 29         | 177236-44330        | 3 - 12         | 610312-06560        | 10 - 12        |
| 159012-03433        | 3 - 30         | 177236-44330        | 4 - 12         | 610330-04560        | 11 - 27        |
| 159012-03433        | 4 - 30         | 178001-13360        | 8 - 25         | 610330-04561        | 11 - 27        |
| 159017-12330        | 3 - 28         | 178001-13360        | 9 - 25         | 610350-04560        | 11 - 29        |
| 159017-12330        | 4 - 28         | 178010-13360        | 8 - 10         | 610403-06961        | 11 -           |
| 162021-52830        | 3 - 26         | 178010-13361        | 8 - 10         | 610407-05360        | 11 - 15        |
| 162021-52830        | 4 - 26         | 178010-13361        | 9 - 10         | 610407-06560        | 10 - 3         |
| 163400-13360        | 8 - 14         | 178012-13360        | 8 - 11         | 610411-05361        | 11 - 24        |
| 163400-13360        | 9 - 14         | 178012-13360        | 9 - 11         | 610411-06560        | 10 - 17        |
| 175000-06560        | 3 - 42         | 178013-13660        | 8 - 9          | 610414-05360        | 11 - 25        |
| 175000-06560        | 4 - 42         | 178013-13660        | 9 - 9          | 610414-06560        | 10 - 16        |
| 175005-04560        | 11 - 5         | 178043-13360        | 8 - 16         | 610425-04560        | 11 - 26        |
| 175005-06560        | 10 - 4         | 178043-13360        | 9 - 16         | 610426-06560        | 10 - 19        |
| 175009-05131        | 3 - 44         | 178043-13660        | 8 - 13         | 610440-04560        | 11 - 30        |
| 175009-05131        | 4 - 44         | 178043-13660        | 9 - 13         | 689025-05360        | 10 - 14        |
| 175014-05360        | 3 - 40         | 178127-13360        | 8 - 24         | 689025-06560        | 10 - 15        |
| 175014-05360        | 4 - 40         | 178127-13361        | 8 - 24         | 689025-13360        | 8 - 21         |
| 175016-04920        | 3 - 45         | 178127-13361        | 9 - 24         | 689025-13361        | 8 - 21         |
| 175016-04920        | 4 - 45         | 178129-13360        | 8 - 22         | 689025-13361        | 9 - 21         |
| 175018-05960        | 3 - 43         | 178129-13361        | 8 - 22         | 697010-06560        | 10 - 13        |

**Index**

| <b>Patrs Number</b> | <b>Key No.</b> | <b>Patrs Number</b> | <b>Key No.</b> | <b>Patrs Number</b> | <b>Key No.</b> |
|---------------------|----------------|---------------------|----------------|---------------------|----------------|
| 699110-06960        | 11 - 18        | 900162-05022        | 2 - 20         | 900870-36202        | 10 - 7         |
| 699113-06560        | 10 - 27        | 900162-05028        | 1 - 6          | 900872-36202        | 10 - 6         |
| 699115-04660        | 10 - 22        | 900162-05028        | 2 - 6          | 94035-36201         | 1 - 7          |
| 699115-04660        | 10 - 22        | 900212-05030        | 10 - 11        | 94035-36201         | 2 - 7          |
| 699115-04660        | 11 - 21        | 900212-05030        | 11 - 32        | A101-000000         | 1 - 17         |
| 699115-05360        | 11 - 22        | 900212-06025        | 11 - 31        | A101-000000         | 2 - 17         |
| 699115-06560        | 10 - 21        | 900212-06030        | 10 - 10        | A259-000030         | 12 - 37        |
| 699117-06560        | 10 - 1         | 900220-05042        | 8 - 19         | A259-000030         | 13 - 37        |
| 699118-04560        | 10 - 20        | 900220-05045        | 8 - 19         | A313-000010         | 5 - 34         |
| 699118-04560        | 11 - 20        | 900220-05045        | 9 - 19         | A313-000010         | 6 - 34         |
| 699125-05360        | 10 - 28        | 900238-05016        | 7 - 6          | A350-000270         | 7 - 5          |
| 699125-06560        | 11 - 33        | 900238-05020        | 5 - 8          | A350-000271         | 7 - 5          |
| 880110-54230        | 10 - 9         | 900238-05020        | 6 - 8          | A350-000272         | 7 - 5          |
| 890034-13360        | 3 - 32         | 900238-05030        | 8 - 4          | A411-000080         | 3 - 25         |
| 890112-25460        | 3 - 6          | 900238-05030        | 9 - 4          | A411-000080         | 4 - 25         |
| 890112-25461        | 3 - 6          | 900239-05016        | 7 - 6          | C532-000120         | 11 - 27        |
| 890112-25461        | 4 - 6          | 900242-04010        | 5 - 35         | P005-000590         | 13 - 24        |
| 890118-49130        | 3 - 6          | 900242-04010        | 6 - 35         | P005-002020         | 13 - 36        |
| 890121-05360        | 5 - 21         | 900242-05065        | 5 - 17         | P021-001111         | 1 - 11         |
| 890121-05360        | 6 - 21         | 900242-05065        | 6 - 17         | P021-001112         | 1 - 11         |
| 890123-13360        | 3 - 46         | 900256-04016        | 8 - 6          | P021-001113         | 1 - 11         |
| 890123-13360        | 4 - 46         | 900256-04016        | 9 - 6          | P021-001113         | 2 - 11         |
| 890157-06560        | 8 - 8          | 900500-00005        | 5 - 6          | P021-002921         | 5 - 14         |
| 890157-39130        | 8 - 8          | 900500-00005        | 6 - 6          | P021-009370         | 11 -           |
| 890617-07660        | 3 - 32         | 900500-00006        | 10 - 23        | P021-010350         | 6 - 14         |
| 890617-07660        | 4 - 32         | 900500-00006        | 11 - 34        | V104-000160         | 5 - 30         |
| 895112-00330        | 10 - 24        | 900502-00006        | 8 - 26         | V104-000160         | 6 - 30         |
| 895112-00330        | 11 - 41        | 900502-00006        | 9 - 26         | V306-000150         | 1 - 18         |
| 895410-00430        | 10 - 25        | 900560-00005        | 8 - 17         | V306-000150         | 2 - 18         |
| 895410-00430        | 11 - 40        | 900560-00005        | 8 - 30         | V470-000580         | 7 - 12         |
| 898510-39130        | 10 - 26        | 900560-00005        | 9 - 17         | V471-001200         | 7 - 11         |
| 898510-39130        | 11 - 43        | 900560-00005        | 9 - 30         | V475-001900         | 3 - 33         |
| 898523-06960        | 10 - 29        | 900600-00005        | 5 - 37         | V475-001900         | 4 - 33         |
| 898523-06960        | 11 - 42        | 900600-00005        | 6 - 37         | V650-000080         | 10 - 12        |
| 900105-05050        | 5 - 36         | 900600-00005        | 8 - 18         | X411-000020         | 10 - 13        |
| 900105-05050        | 6 - 36         | 900600-00005        | 9 - 18         | X411-000050         | 11 - 19        |
| 900162-04010        | 11 - 23        | 900600-00006        | 8 - 27         | X411-000270         | 10 - 13        |
| 900162-04012        | 10 - 18        | 900600-00006        | 9 - 27         | X411-000280         | 11 - 19        |
| 900162-04016        | 10 - 30        | 900602-00005        | 8 - 18         | X425-000010         | 10 - 1         |
| 900162-04016        | 3 - 5          | 900603-00005        | 7 - 8          | X431-000000         | 10 - 28        |
| 900162-04016        | 3 - 48         | 900605-00008        | 3 - 17         | X495-000051         | 10 - 29        |
| 900162-04016        | 4 - 5          | 900605-00008        | 4 - 17         | X495-000051         | 11 - 42        |
| 900162-04016        | 4 - 48         | 900701-00014        | 10 - 8         | X502-000260         | 8 - 33         |
| 900162-04020        | 1 - 26         | 900701-00014        | 11 - 9         | X502-000260         | 9 - 33         |
| 900162-04020        | 2 - 26         | 900702-00035        | 10 - 5         | X502-000330         | 4 - 6          |
| 900162-04022        | 3 - 24         | 900702-00035        | 11 - 6         | X502-000430         | 9 - 33         |
| 900162-04022        | 4 - 24         | 900810-36201        | 1 - 7          | X503-008850         | 4 - 32         |
| 900162-05020        | 11 - 16        | 900810-36202        | 11 - 8         | X505-002030         | 9 - 34         |
| 900162-05022        | 1 - 20         | 900813-36202        | 11 - 7         |                     |                |



# YAMABIKO CORPORATION

7-2 SUEHIROCHO 1-CHOME, OHME, TOKYO 198-8760, JAPAN  
PHONE: 81-428-32-6118. FAX: 81-428-32-6145.

