

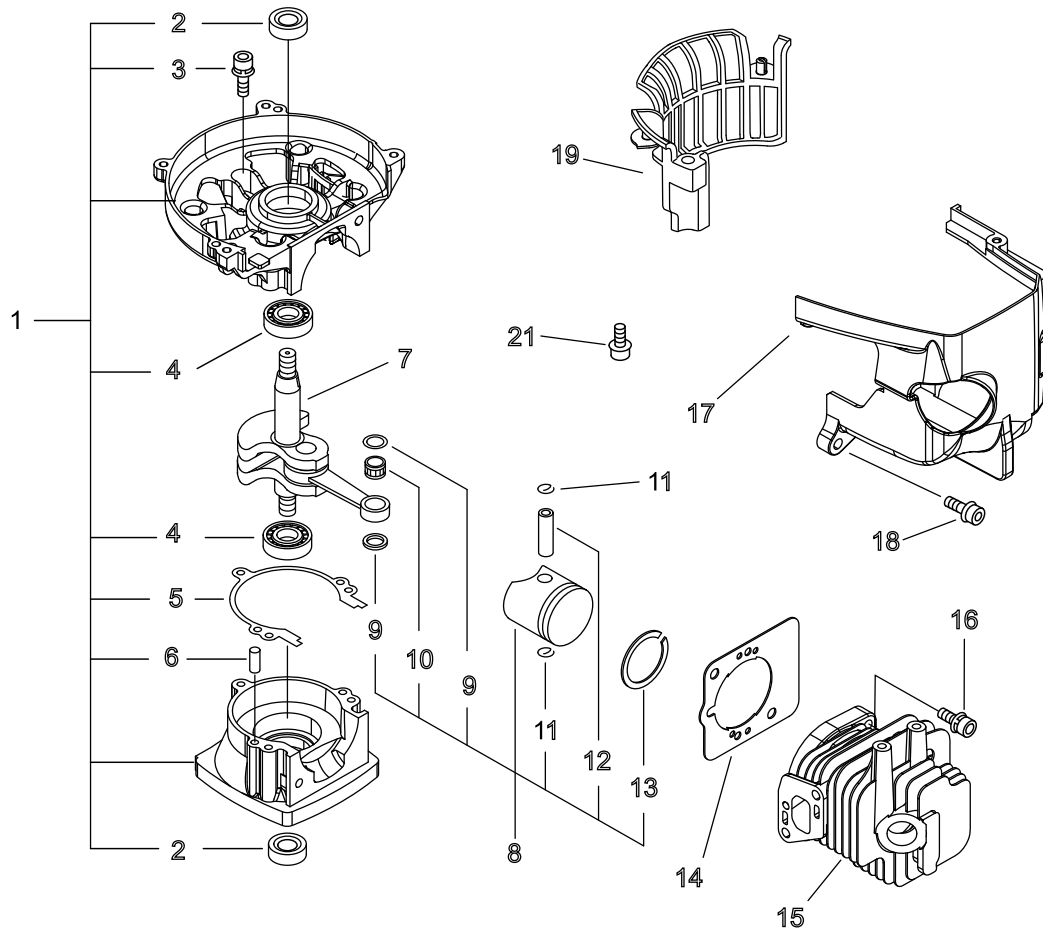


PARTS CATALOGUE

HEDGE TRIMMER HC-341ES(36)

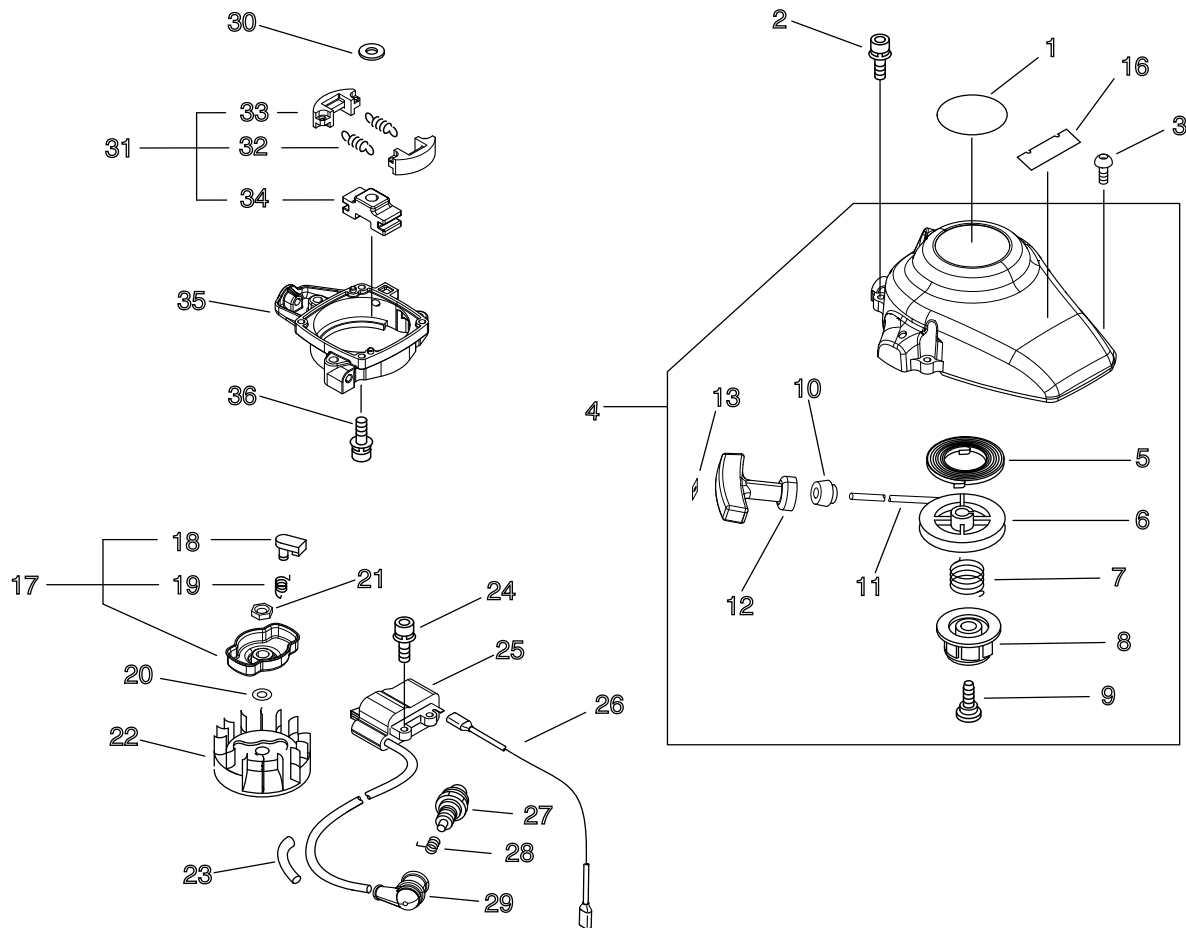
36001551 -

1. CYLINDER, CRANKCASE, PISTON



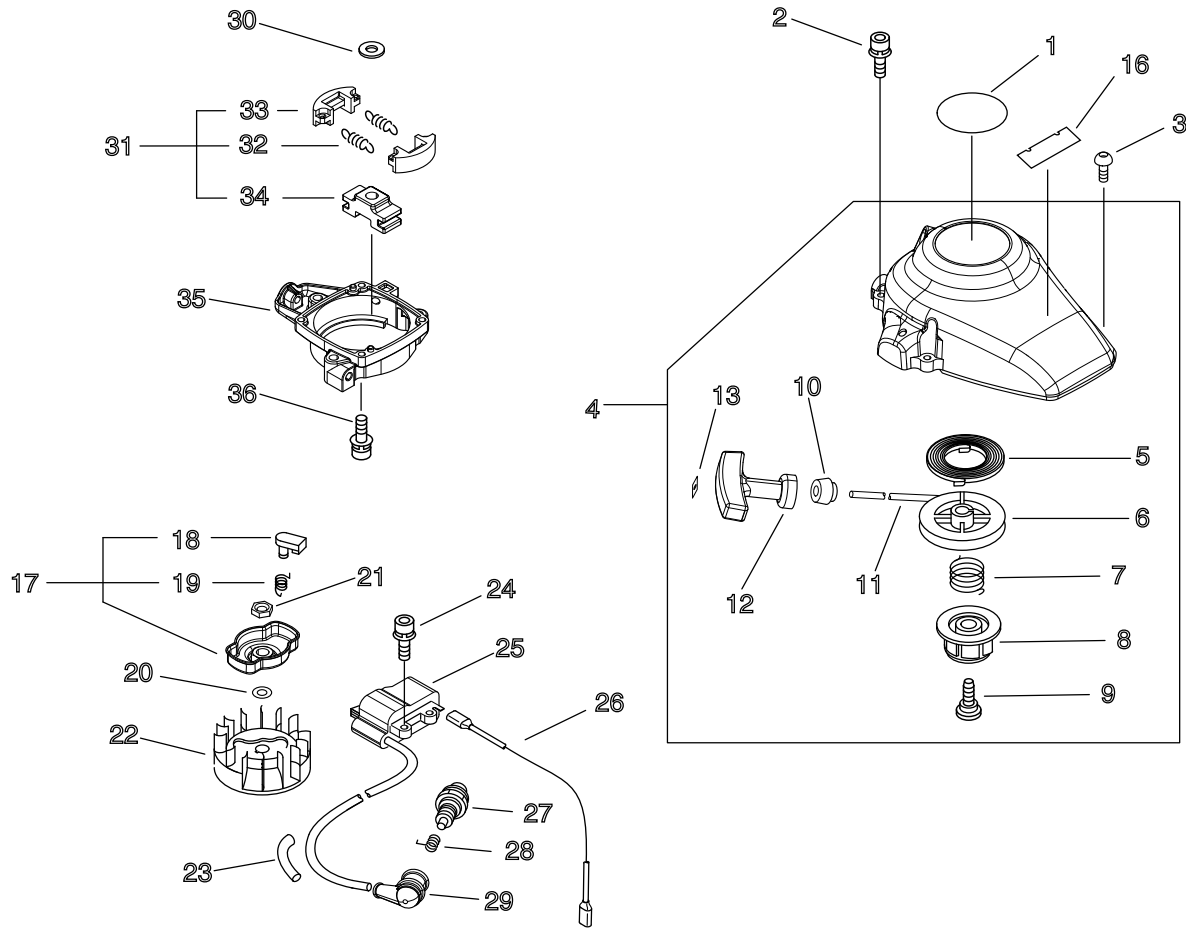
KEY	LV	PART NUMBER	Q'TY	DESCRIPTION	REMARKS	NOTE1	NOTE2
1		100204-52132	1	CRANKCASE KIT			
2	+	100212-42031	2	OILSEAL	ISCD 12*22*4.5		
3	+	900162-05028	3	BOLT, H.S. 5*28	5*28 W,SW		
4	+	94035-36201	2	BEARING BALL	6201X3JR2C3		
5	+	100242-42030	1	GASKET, CRANKCASE			
6	+	100215-03930	2	PIN, DOWEL			
7		A011-000223	1	CRANKSHAFT,ASM			
8		P021-014590	1	PISTON KIT			
9	+	100014-08960	2	SPACER, PISTON PIN			
10	+	100113-05930	1	BEARING, NEEDLE	8*12*8		
11	+	100015-04630	2	CIRCLIP, PISTON PIN			
12	+	100013-11520	1	PIN, PISTON			
13	+	A101-000130	1	RING, PISTON			
14		V100-000250	1	GASKET,CYL	T:0.8		
15		A130-000890	1	CYLINDER			
16		900162-05022	2	BOLT, H.S. 5*22	5*22 W,SW		
17		A160-000880	1	COVER,CYLINDER			
18		V805-000150	1	BOLT, TORX 5	TB-5*16 10.9		
19		A127-000170	1	COVER,DUST			
21		V805-000150	1	BOLT, TORX 5	TB-5*16 10.9		

2. STARTER, MAGNETO, CLUTCH



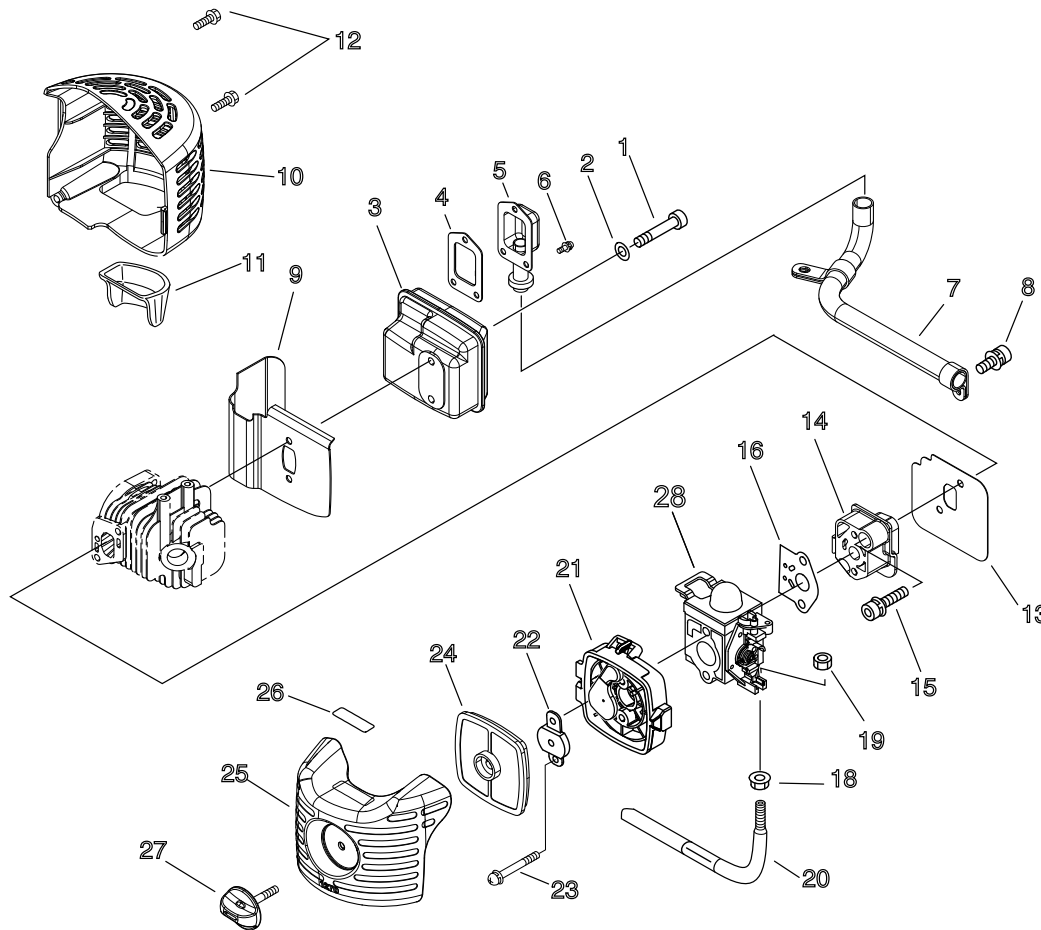
KEY	LV	PART NUMBER	Q'TY	DESCRIPTION	REMARKS	NOTE1	NOTE2
1		X502-000330	1	LABEL,ECHO	ECHO		
2		V804-000060	4	BOLT, TORX 4	TB-4*16 10.9		
3		V804-000000	1	BOLT, TORX 4	TT-4*12 DG 10.9		
4		A051-001110	1	STARTER,RECOIL ASY			
5	+	177220-42030	1	SPRING, REWIND			
6	+	P022-006830	1	DRUM			
7	+	V452-000150	1	SPRING,TORSION			
8	+	A507-000030	1	CATCHER,PAWL			
9	+	177236-61830	1	SCREW			
10	+	177227-42030	1	GUIDE, ROPE			
11	+	P022-008260	1	ROPE	3M/M		
12	+	177228-27030	1	GRIP, STARTER			
13	+	177246-11120	1	CLIP, STARTER ROPE			
16		X503-009100	1	LABEL,MODEL	HC-341ES		
17		A052-000210	1	PULLEY,ASM STARTER			
18	+	P022-020030	1	PAWL, STARTER			
19	+	P022-007980	1	SPRING, RETURN			
20		900600-00008	1	WASHER 8	8		
21		900512-00008	1	NUT 3N 8 (L-H)	3N 8		
22		A409-000160	1	ROTOR,MAGNETO			
23		V475-001610	1	TUBE	7*8.6*55 HST-10		
24		V804-000070	2	BOLT, TORX 4	TB-4*20 12.9		
25		A411-000130	1	COIL,IGNITION			

2. STARTER, MAGNETO, CLUTCH



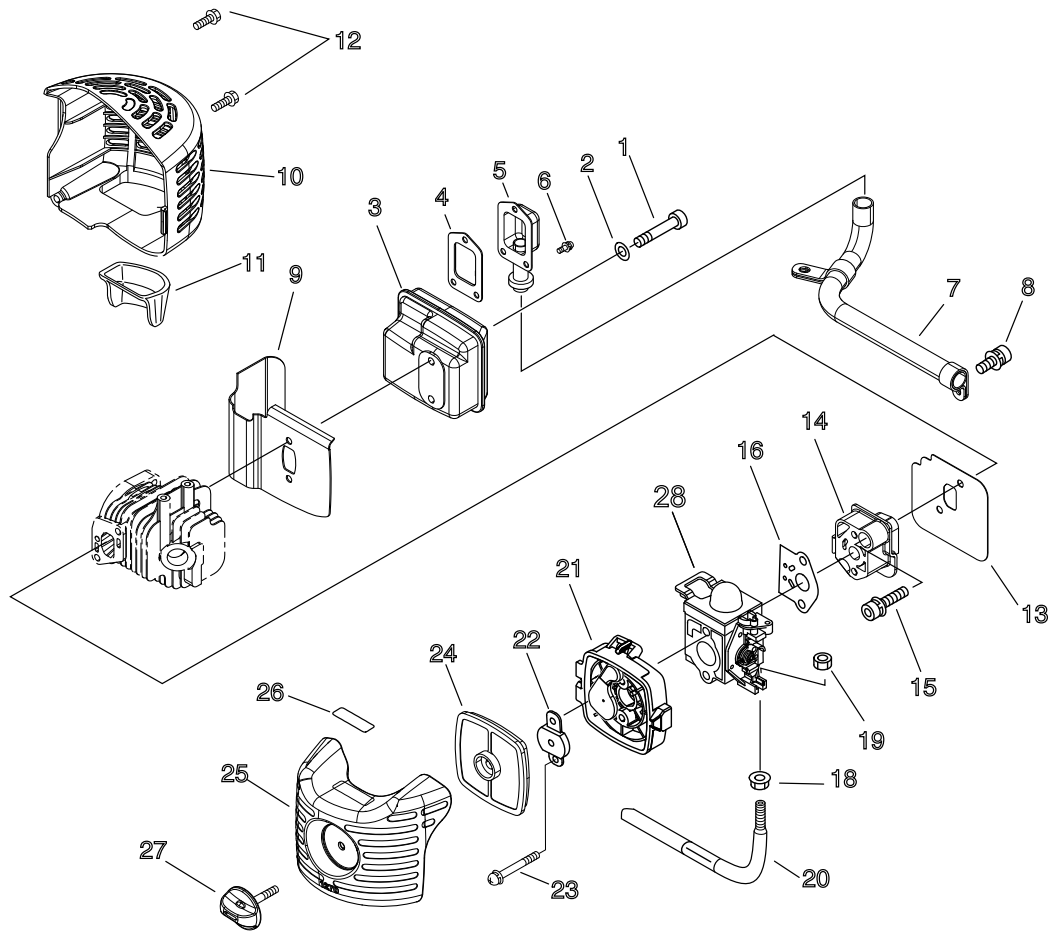
KEY	LV	PART NUMBER	Q'TY	DESCRIPTION	REMARKS	NOTE1	NOTE2
26		V485-000870	1	LEAD	L=190,#187,CA104		
27		A425-000000	1	SPARKPLUG	BPMR8Y		
28		A426-000010	1	TERMINAL,SPARKPLUG			
29		A427-000013	1	CAP,SPARK PLUG			
30		610350-12360	1	WASHER			
31		A056-000190	1	CLUTCH ASY	M8*1.25		
32	+	A566-000000	2	SPRING, CLUTCH			
33	+	175017-44331	2	SHOE, CLUTCH			
34	+	A552-000080	1	HUB, CLUTCH			
35		A570-000140	1	CASE,CLUTCH			
36		V804-000060	4	BOLT, TORX 4	TB-4*16 10.9		

3. AIR CLEANER, CARBURETOR, MUFFLER



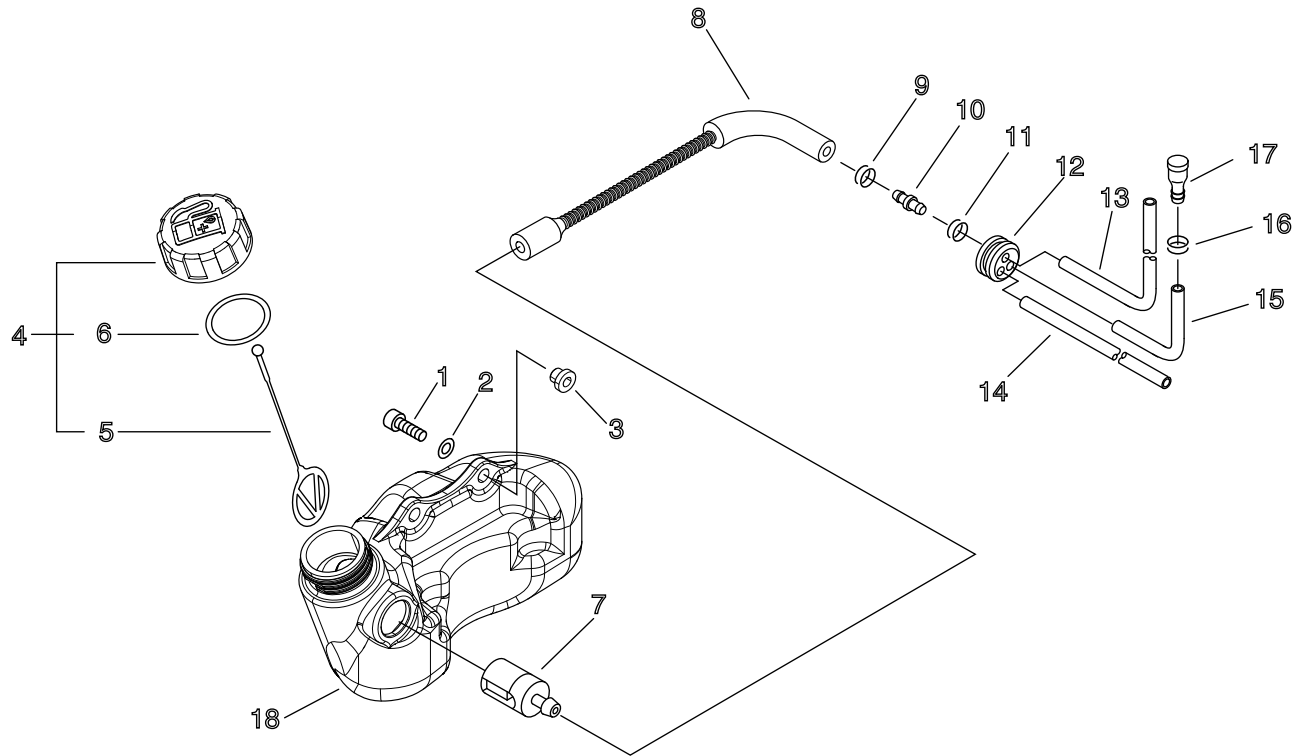
KEY	LV	PART NUMBER	Q'TY	DESCRIPTION	REMARKS	NOTE1	NOTE2
1		V805-000190	2	BOLT, TORX 5	TB-5*55 12.9		
3		145806-42030	1	MUFFLER			
4		145866-42031	1	GASKET, MUFFLER LID			
5		A313-000870	1	GUIDE, EXHAUST			
6		V804-000030	3	BOLT, TORX 4	TB-4*8 10.9		
7		A313-001020	1	GUIDE, EXHAUST	14 T1.0		
8		V804-000050	1	BOLT, TORX 4	TB-4*12 10.9		
9		V104-000850	1	GASKET, EXHAUST	T1.0		
10		A320-000430	1	COVER, MUFFLER			
11		A323-000010	1	PIECE, COVER			
12		V805-000150	2	BOLT, TORX 5	TB-5*16 10.9		
13		V103-000180	1	GASKET, INTAKE			
14		A200-000300	1	INSULATOR, INTAKE			
15		V805-000220	2	BOLT, TORX 5	TB-5*25 12.9		
16		V103-000410	1	GASKET, INTAKE	T:0.5		
17		A021-001610	1	CARBURETOR, DIAPHRAGM	ZAMA RB-K		
18		900515-00006	1	NUT, FLANGE 6	6		
19		900502-00006	1	NUT 6 (3N)	3N6		
20		V430-002120	1	CABLE, BOWDEN			
21		P021-015100	1	CLEANER CASE ASY			
22		129011-52730	1	PLATE, PREVENT			
23		V805-000100	2	BOLT, TORX 5	TB-5*65 10.9		
24		130310-54130	1	FILTER, AIR			
24		A226-001410	1	ELEMENT, AIR FILTER			
25		A232-000400	1	LID, CLEANER			
26		890332-52730	1	LABEL, CHOKE			

3. AIR CLEANER, CARBURETOR, MUFFLER



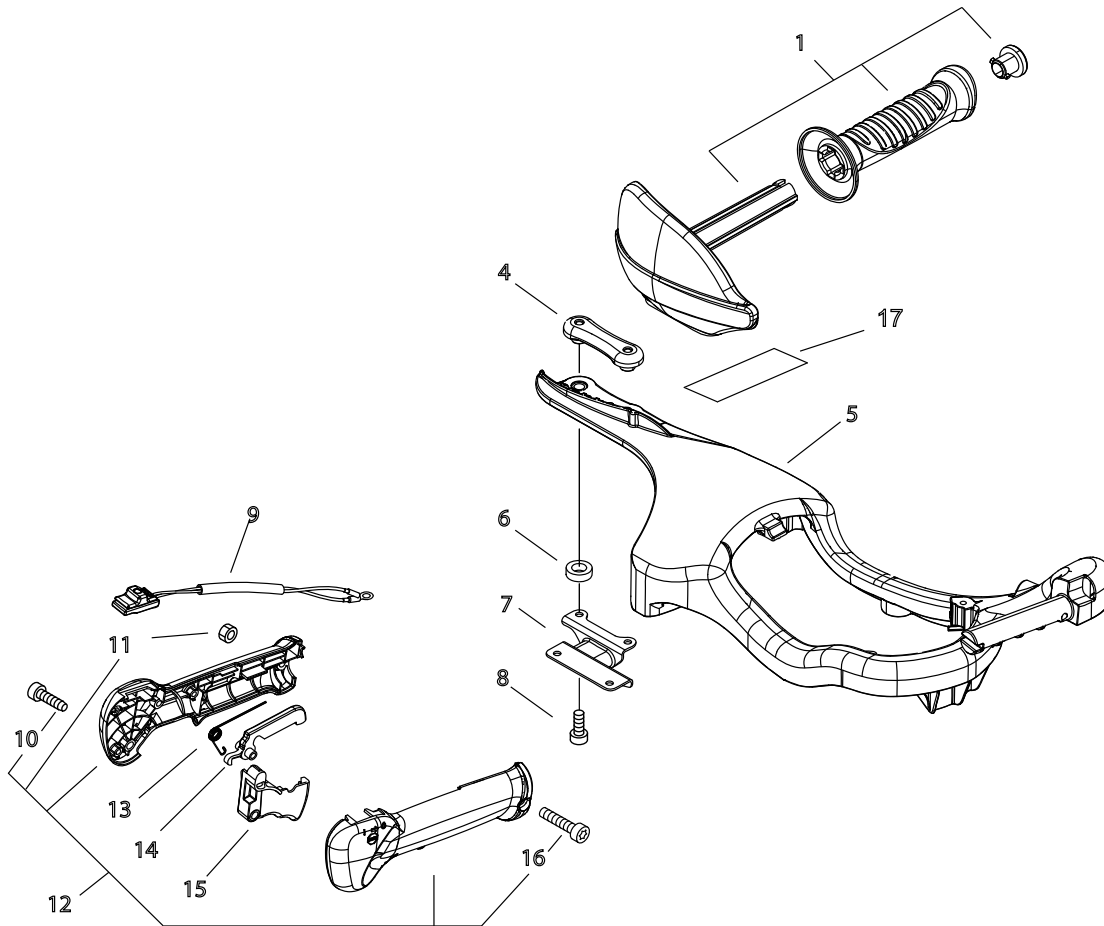
KEY	LV	PART NUMBER	Q'TY	DESCRIPTION	REMARKS	NOTE1	NOTE2
27		V299-000250	1	KNOB,FASTENER			
28		X505-002310	1	LABEL,CAUTION	HOT CAUTION		

4. FUEL TANK



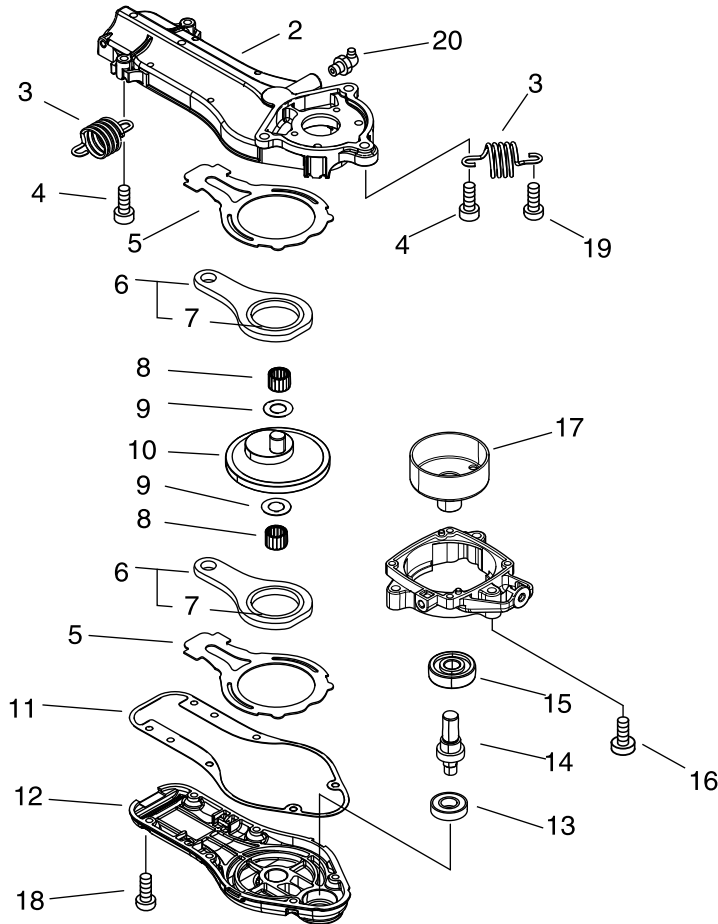
KEY	LV	PART NUMBER	Q'TY	DESCRIPTION	REMARKS	NOTE1	NOTE2
1		V805-000160	3	BOLT, TORX 5	TB-5*20 10.9		
2		900603-00005	3	WASHER 5	5.5*12*0.8		
3		V353-000231	3	COLLAR,5	16*5.5 L6 T2		
4		P021-012210	1	CAP,FUEL ASY			
5	+	A365-000060	1	CONNECTOR,CAP	L=123		
6	+	131016-55830	1	GASKET, FUEL CAP			
7		131205-07320	1	STRAINER, FUEL			
8		132012-12361	1	PIPE			
9		132013-26630	1	CLIP	6.5MM		
10		V186-000020	1	JOINT,PIPE			
11		132013-09820	1	CLIP	6MM		
12		132115-55930	1	GROMMET, FUEL			
13		130110-54430	1	PIPE, IMPULSE	3*6*105 NBR		
14		132010-40830	1	PIPE 3* 6* 75	3*6*75 YL		
15		V471-001880	1	PIPE	3*6*65		
16		437411-19830	1	CLIP, OIL PIPE			
17		A356-000030	1	VALVE,CHECK			
18		A350-000590	1	TANK, FUEL			

5. HANDLE



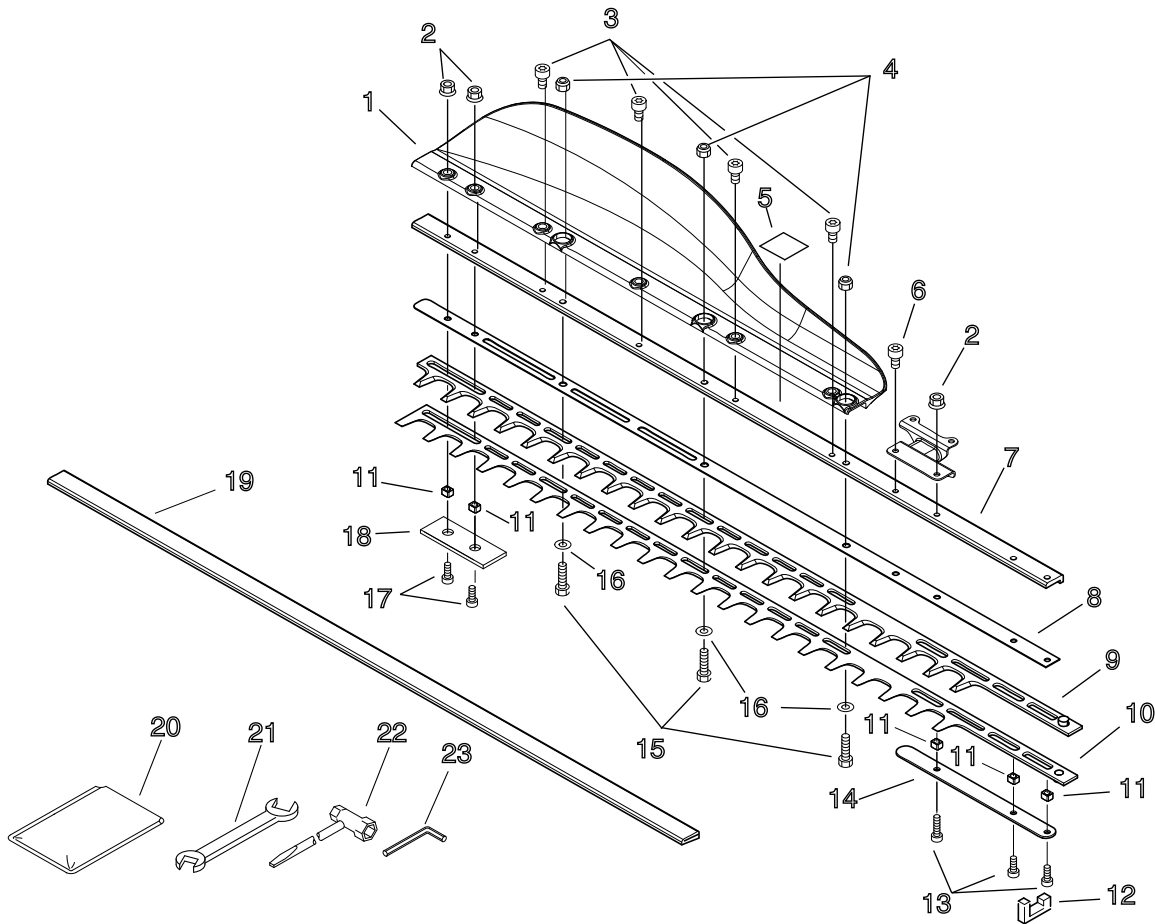
KEY	LV	PART NUMBER	Q'TY	DESCRIPTION	REMARKS	NOTE1	NOTE2
1		P021-014900	1	FRONT HANDLE ASY			
4		C423-000350	1	FIXTURE, HANDLE			
5		C600-001020	1	FRAME			
6		V420-001730	2	CUSHION	19*11 T6		
7		V401-000160	1	CUSHION,5			
8		V805-000220	2	BOLT, TORX 5	TB-5*25 12.9		
9		P021-014630	1	HANDLE ASY, REAR			
12		P021-014630	1	HANDLE ASY, REAR			
11	+	900500-00005	1	NUT 5	5		
10	+	V804-000010	3	BOLT, TORX 4	TT-4*16 DG 10.9		
16	+	V805-000050	1	BOLT, TORX 5	TB-5*30 10.9		
13		V452-000350	1	SPRING,TORSION			
14		C460-000111	1	LOCKOUT, THROTTLE	70MM		
15		C450-000270	1	CONTROL, THROTTLE			
17		X502-000390	1	LABEL,ECHO	ECHO 72.5*15		

6. GEAR CASE



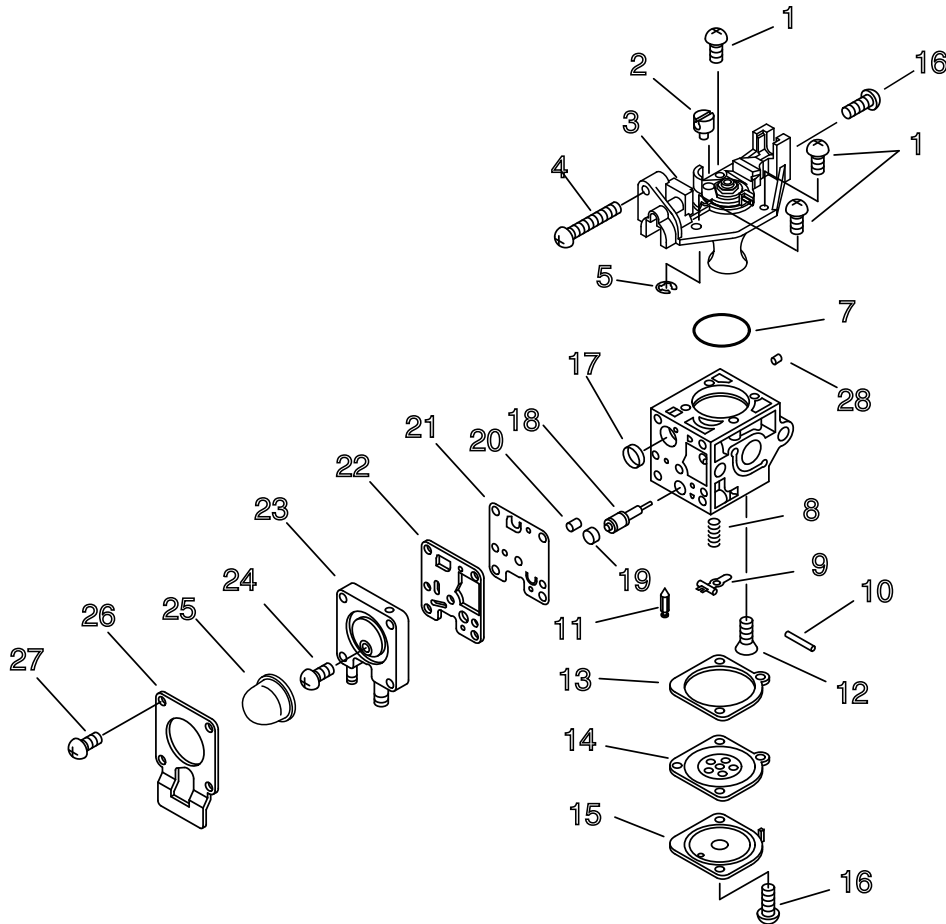
KEY	LV	PART NUMBER	Q'TY	DESCRIPTION	REMARKS	NOTE1	NOTE2
2		C531-000440	1	CASE,GEAR			
3		V450-000690	4	SPRING,COMPRESSION	2.9		
4		V805-000150	4	BOLT, TORX 5	TB-5*16 10.9		
5		V150-001950	2	PLATE,EYE			
6		C532-000080	2	ROD,CONNECTING			
7	+	610327-01261	2	BEARING, NEEDLE			
8		V555-000000	2	BEARING,NEEDLE 10	HK1010		
9		100014-17330	2	SPACER, PISTON PIN			
10		V060-000040	1	GEAR,SPUR	42		
11		V110-000090	1	GASKET,GEAR CASE			
12		C531-000450	1	CASE,GEAR			
13		900804-00608	1	BEARING, BALL 608	608ZZ		
14		V650-000160	1	GEAR,SPUR			
15		900812-06200	1	BEARING, BALL 6200	6200DDU(LLU)		
16		V806-000010	3	BOLT, TORX 6	TB-6*20 10.9		
17		A556-000500	1	DRUM, CLUTCH			
18		V804-000060	6	BOLT, TORX 4	TB-4*16 10.9		
19		V805-000010	4	BOLT, TORX 5	TT-5*20 DG 10.9		
20		94984-06075	1	NIPPLE, GREASE	B-MT6*0.75(67.5)		

7. CUTTER



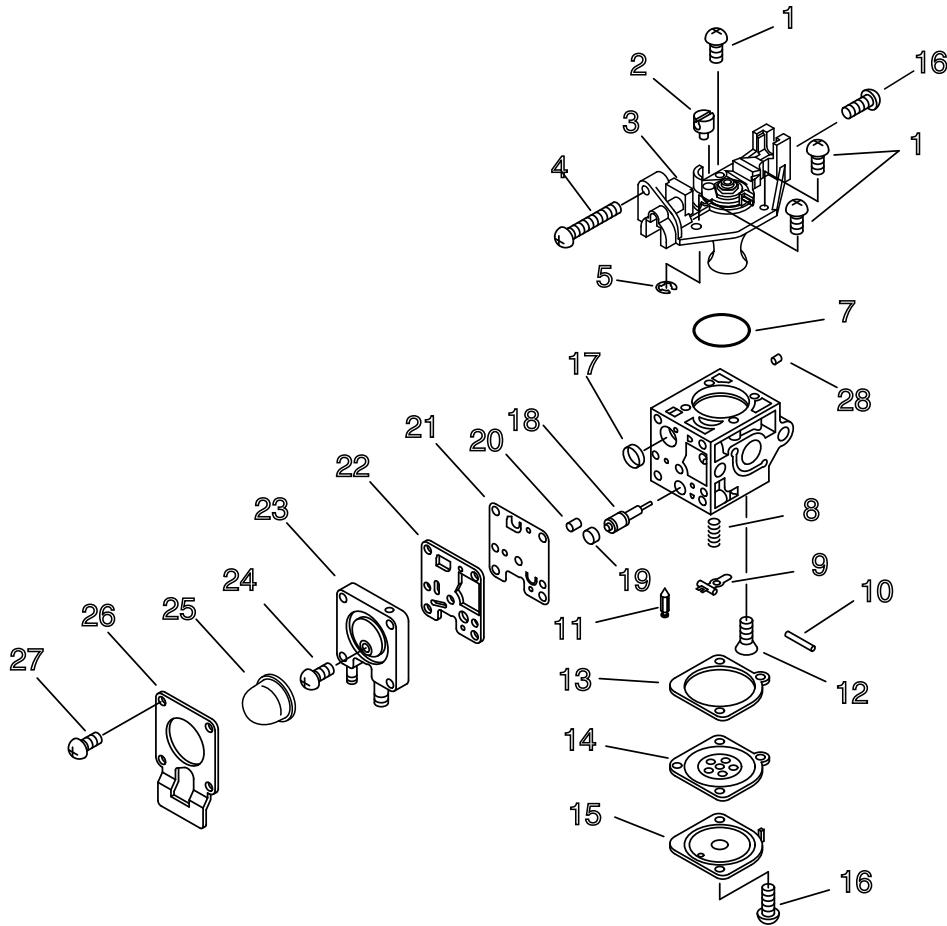
KEY	LV	PART NUMBER	Q'TY	DESCRIPTION	REMARKS	NOTE1	NOTE2
1		C571-000040	1	GUIDE, CORRECTION			
2		92108-05000	3	NUT, FLANGE			
3		V805-000130	4	BOLT, TORX 5	TB-5*10 10.9		
4		433022-06460	5	NUT			
5		X505-002030	1	LABEL, CAUTION	37*35		
6		V805-000110	1	BOLT, TORX 5	TB-5*6 10.9		
7		X425-000450	1	SUPPORT, CUTTER	L1073		
8		X425-000460	1	SUPPORT, CUTTER	L1073 T1.2		
9		X411-000680	1	CUTTER	L1095		
10		X411-000690	1	CUTTER	L1095		
11		V353-000260	5	COLLAR, 5	7.45*9*6.3		
12		V541-000150	1	SEAL			
13		V805-000220	3	BOLT, TORX 5	TB-5*25 12.9		
14		V150-001960	1	PLATE, EYE			
15		699115-02062	5	BOLT			
16		699118-04560	5	WASHER			
17		V805-000180	2	BOLT, TORX 5	TB-5*30 12.9		
18		V150-001970	1	PLATE, EYE	18*48*T1.6		
19		898523-08960	1	SCABBARD, BLADE			
20		898510-07130	1	BAG, TOOL			
21		895112-00330	1	SPANNER 8*10			
22		895410-03930	1	WRENCH, W/S. DRIVER			
23		X605-000050	1	TOOL, L WRENCH			

8. CARBURETOR



KEY	LV	PART NUMBER	Q'TY	DESCRIPTION	REMARKS	NOTE1	NOTE2
		A021-001610	1	CARBURETOR,DIAPHRAGM	ZAMA RB-K		
1	+	125344-13931	3	SCREW			
2	+	P005-001240	1	POST			
3	+	P005-002050	1	COVER ASY, ROTOR			
4	+	P005-000100	1	SCREW,THROTTLEADJUST			
5	+	P005-000190	1	E-RING			
7	+	P005-000280	1	O-RING			
8	+	P005-000940	1	SPRING, METER. LEVER			
9	+	125323-08260	1	ARM, VALVE			
10	+	125338-13930	1	PIN, METERING ARM			
11	+	125337-08260	1	VALVE, INLET NEEDLE			
12	+	125339-42030	1	SCREW			
13	+	P005-000200	1	GASKET, METERING			
14	+	P005-001780	1	DIAPHRAGM			
15	+	125342-52130	1	COVER, DIAPHRAGM			
16	+	125344-52130	3	SCREW			
17	+	P005-000010	1	STRAINER			
18	+	P005-002060	1	NEEDLE,HIGH SPEED			
19	+	P005-001250	1	RETAINER,PLUG BALL			
20	+	P005-001270	1	PLUG, H AJUST SCREW			
21	+	P005-000510	1	DIAPHRAGM, PUMP			
22	+	P005-000520	1	GASKET, PUMP			
23	+	P005-001890	1	BASE, ASY PRIMER			
24	+	P005-000270	1	SCREW			
25	+	125381-46730	1	PUMP, PRIMING			
26	+	P005-000250	1	RETAINER			

8. CARBURETOR



KEY	LV	PART NUMBER	Q'TY	DESCRIPTION	REMARKS	NOTE1	NOTE2
27	+	P005-001900	4	SCREW			
28	+	P005-001000	1	ROLLER, GUIDE			

9. DIAPHRAGM/GASKET KIT

KEY	LV	PART NUMBER	Q'TY	DESCRIPTION	REMARKS	NOTE1	NOTE2
		P005-001660	1	DIAPHRAGM/GASKET KIT			
1	+	P005-001780	1	DIAPHRAGM			
2	+	P005-000200	1	GASKET, METERING			
3	+	P005-000510	1	DIAPHRAGM, PUMP			
4	+	P005-000520	1	GASKET, PUMP			

10. REBUILD KIT

KEY	LV	PART NUMBER	Q'TY	DESCRIPTION	REMARKS	NOTE1	NOTE2
		P005-001670	1	REBUILD KIT			
1	+	P005-000010	1	STRAINER			
2	+	125337-08260	1	VALVE, INLET NEEDLE			
3	+	125338-13930	1	PIN, METERING ARM			
4	+	P005-000940	1	SPRING, METER. LEVER			
5	+	125323-08260	1	ARM, VALVE			
6	+	P005-001780	1	DIAPHRAGM			
7	+	P005-000200	1	GASKET, METERING			
8	+	P005-000510	1	DIAPHRAGM, PUMP			
9	+	P005-000520	1	GASKET, PUMP			
10	+	P005-001000	1	ROLLER, GUIDE			

Index

Patrs Number	Key No.	Patrs Number	Key No.	Patrs Number	Key No.
100013-11520	1 - 12	900162-05022	1 - 16	C571-000040	7 - 1
100014-08960	1 - 9	900162-05028	1 - 3	C600-001020	5 - 5
100014-17330	6 - 9	900500-00005	5 - 11	P005-000010	8 - 17
100015-04630	1 - 11	900502-00006	3 - 19	P005-000010	10 - 1
100113-05930	1 - 10	900512-00008	2 - 21	P005-000100	8 - 4
100204-52132	1 - 1	900515-00006	3 - 18	P005-000190	8 - 5
100212-42031	1 - 2	900600-00008	2 - 20	P005-000200	8 - 13
100215-03930	1 - 6	900603-00005	4 - 2	P005-000200	9 - 2
100242-42030	1 - 5	900804-00608	6 - 13	P005-000200	10 - 7
125323-08260	8 - 9	900812-06200	6 - 15	P005-000250	8 - 26
125323-08260	10 - 5	92108-05000	7 - 2	P005-000270	8 - 24
125337-08260	8 - 11	94035-36201	1 - 4	P005-000280	8 - 7
125337-08260	10 - 2	94984-06075	6 - 20	P005-000510	8 - 21
125338-13930	8 - 10	A011-000223	1 - 7	P005-000510	9 - 3
125338-13930	10 - 3	A021-001610	3 - 17	P005-000510	10 - 8
125339-42030	8 - 12	A021-001610	8 -	P005-000520	8 - 22
125342-52130	8 - 15	A051-001110	2 - 4	P005-000520	9 - 4
125344-13931	8 - 1	A052-000210	2 - 17	P005-000520	10 - 9
125344-52130	8 - 16	A056-000190	2 - 31	P005-000940	8 - 8
125381-46730	8 - 25	A101-000130	1 - 13	P005-000940	10 - 4
129011-52730	3 - 22	A127-000170	1 - 19	P005-001000	8 - 28
130110-54430	4 - 13	A130-000890	1 - 15	P005-001000	10 - 10
130310-54130	3 - 24	A160-000880	1 - 17	P005-001240	8 - 2
131016-55830	4 - 6	A200-000300	3 - 14	P005-001250	8 - 19
131205-07320	4 - 7	A226-001410	3 - 24	P005-001270	8 - 20
132010-40830	4 - 14	A232-000400	3 - 25	P005-001660	9 -
132012-12361	4 - 8	A313-000870	3 - 5	P005-001670	10 -
132013-09820	4 - 11	A313-001020	3 - 7	P005-001780	8 - 14
132013-26630	4 - 9	A320-000430	3 - 10	P005-001780	9 - 1
132115-55930	4 - 12	A323-000010	3 - 11	P005-001780	10 - 6
145806-42030	3 - 3	A350-000590	4 - 18	P005-001890	8 - 23
145866-42031	3 - 4	A356-000030	4 - 17	P005-001900	8 - 27
175017-44331	2 - 33	A365-000060	4 - 5	P005-002050	8 - 3
177220-42030	2 - 5	A409-000160	2 - 22	P005-002060	8 - 18
177227-42030	2 - 10	A411-000130	2 - 25	P021-012210	4 - 4
177228-27030	2 - 12	A425-000000	2 - 27	P021-014590	1 - 8
177236-61830	2 - 9	A426-000010	2 - 28	P021-014630	5 - 9
177246-11120	2 - 13	A427-000013	2 - 29	P021-014630	5 - 12
433022-06460	7 - 4	A507-000030	2 - 8	P021-014900	5 - 1
437411-19830	4 - 16	A552-000080	2 - 34	P021-015100	3 - 21
610327-01261	6 - 7	A556-000500	6 - 17	P022-006830	2 - 6
610350-12360	2 - 30	A566-000000	2 - 32	P022-007980	2 - 19
699115-02062	7 - 15	A570-000140	2 - 35	P022-008260	2 - 11
699118-04560	7 - 16	C423-000350	5 - 4	P022-020030	2 - 18
890332-52730	3 - 26	C450-000270	5 - 15	V060-000040	6 - 10
895112-00330	7 - 21	C460-000111	5 - 14	V100-000250	1 - 14
895410-03930	7 - 22	C531-000440	6 - 2	V103-000180	3 - 13
898510-07130	7 - 20	C531-000450	6 - 12	V103-000410	3 - 16
898523-08960	7 - 19	C532-000080	6 - 6	V104-000850	3 - 9

Index

Patrs Number	Key No.	Patrs Number	Key No.	Patrs Number	Key No.
V110-000090	6 - 11	X502-000390	5 - 17		
V150-001950	6 - 5	X503-009100	2 - 16		
V150-001960	7 - 14	X505-002030	7 - 5		
V150-001970	7 - 18	X505-002310	3 - 28		
V186-000020	4 - 10	X605-000050	7 - 23		
V299-000250	3 - 27				
V353-000231	4 - 3				
V353-000260	7 - 11				
V401-000160	5 - 7				
V420-001730	5 - 6				
V430-002120	3 - 20				
V450-000690	6 - 3				
V452-000150	2 - 7				
V452-000350	5 - 13				
V471-001880	4 - 15				
V475-001610	2 - 23				
V485-000870	2 - 26				
V541-000150	7 - 12				
V555-000000	6 - 8				
V650-000160	6 - 14				
V804-000000	2 - 3				
V804-000010	5 - 10				
V804-000030	3 - 6				
V804-000050	3 - 8				
V804-000060	2 - 2				
V804-000060	2 - 36				
V804-000060	6 - 18				
V804-000070	2 - 24				
V805-000010	6 - 19				
V805-000050	5 - 16				
V805-000100	3 - 23				
V805-000110	7 - 6				
V805-000130	7 - 3				
V805-000150	1 - 18				
V805-000150	1 - 21				
V805-000150	3 - 12				
V805-000150	6 - 4				
V805-000160	4 - 1				
V805-000180	7 - 17				
V805-000190	3 - 1				
V805-000220	3 - 15				
V805-000220	5 - 8				
V805-000220	7 - 13				
V806-000010	6 - 16				
X411-000680	7 - 9				
X411-000690	7 - 10				
X425-000450	7 - 7				
X425-000460	7 - 8				
X502-000330	2 - 1				

YAMABIKO CORPORATION

7-2 SUEHIROCHO 1-CHOME, OHME, TOKYO 198-8760, JAPAN
PHONE: 81-428-32-6118. FAX: 81-428-32-6145.



10Gb
No. 64-240