

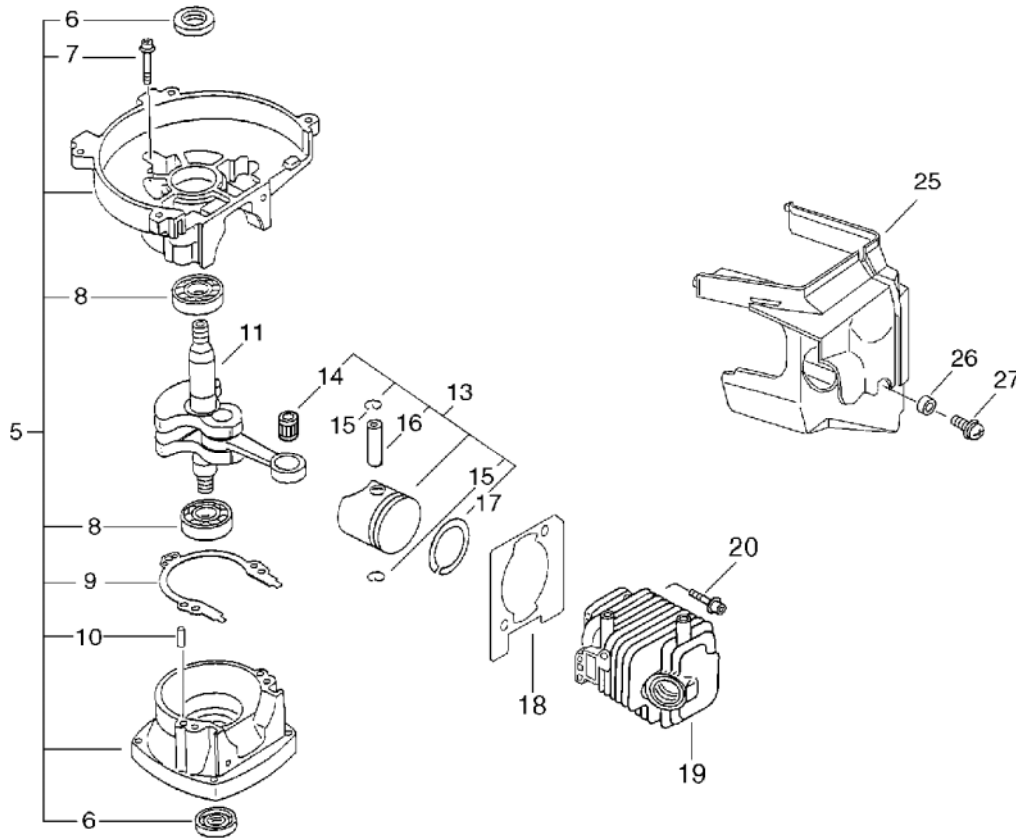


PARTS CATALOGUE

HEDGE TRIMMER HC-30ES(36)

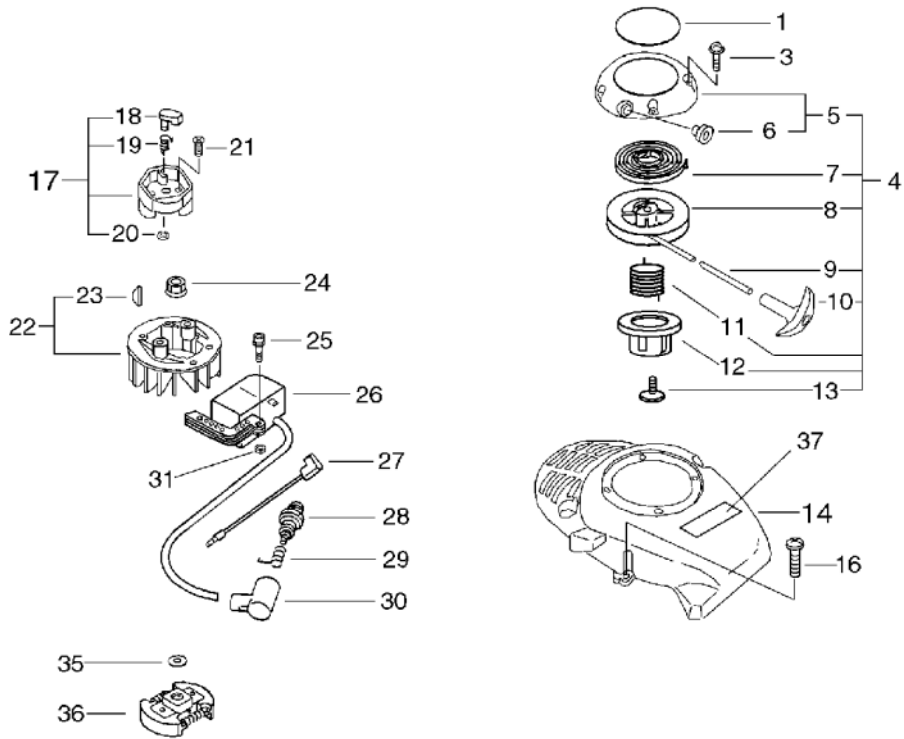
36009656 -

1. CYLINDER, CRANKCASE, PISTON



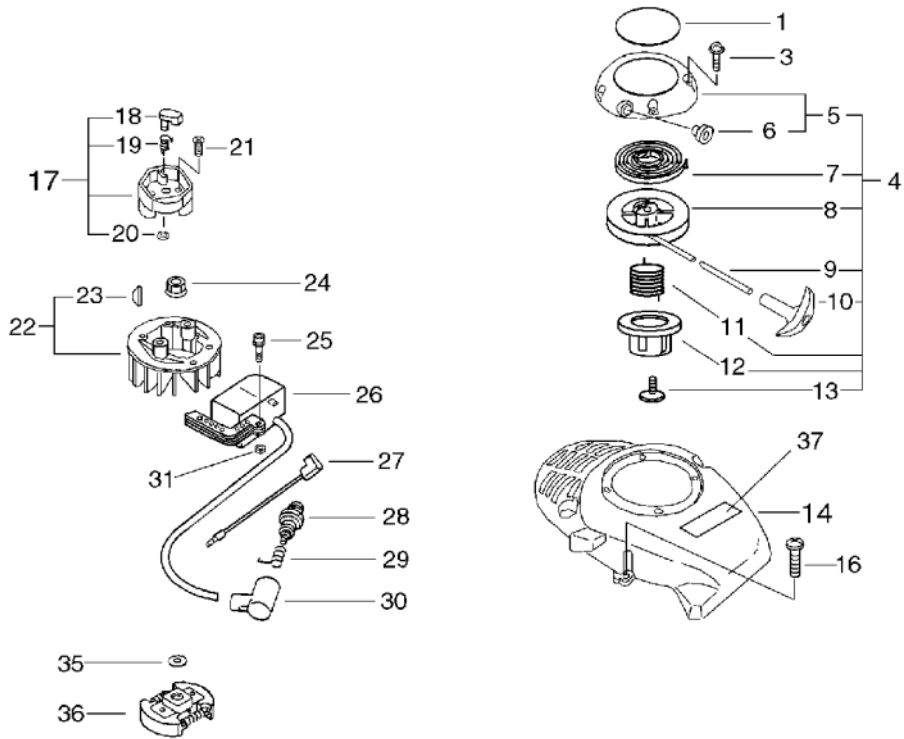
KEY	LV	PART NUMBER	Q'TY	DESCRIPTION	REMARKS	NOTE1	NOTE2
5		P021-003941	1	CRANK CASE SET			
6	+	100212-61830	2	OILSEAL	ISCD 10*20*5		
7	+	900162-05025	3	BOLT, H.S. 5*25	5*25 W,SW		
8	+	900810-36000	2	BEARING, BALL			
9	+	100242-61830	1	GASKET, CRANKCASE			
10	+	100215-03930	2	PIN, DOWEL			
11		A011-000180	1	CRANKSHAFT,ASM			
13		P021-014760	1	PISTON KIT			
14	+	100012-61830	1	BEARING, NEEDLE			
15	+	100015-61830	2	RING, SNAP			
16	+	100013-61830	1	PIN, PISTON			
17	+	A101-000090	1	RING,PISTON			
18		V100-000120	1	GASKET,CYL			
19		A130-000611	1	CYLINDER			
20		900162-05020	2	BOLT, H.S. 5*20	5*20 W,SW		
25		A160-000380	1	COVER,CYLINDER			
26		V323-000060	1	WASHER,CIRCULAR 5			
27		900239-05018	1	SCREW 5*18	5*18		

2. STARTER, MAGNETO, CLUTCH



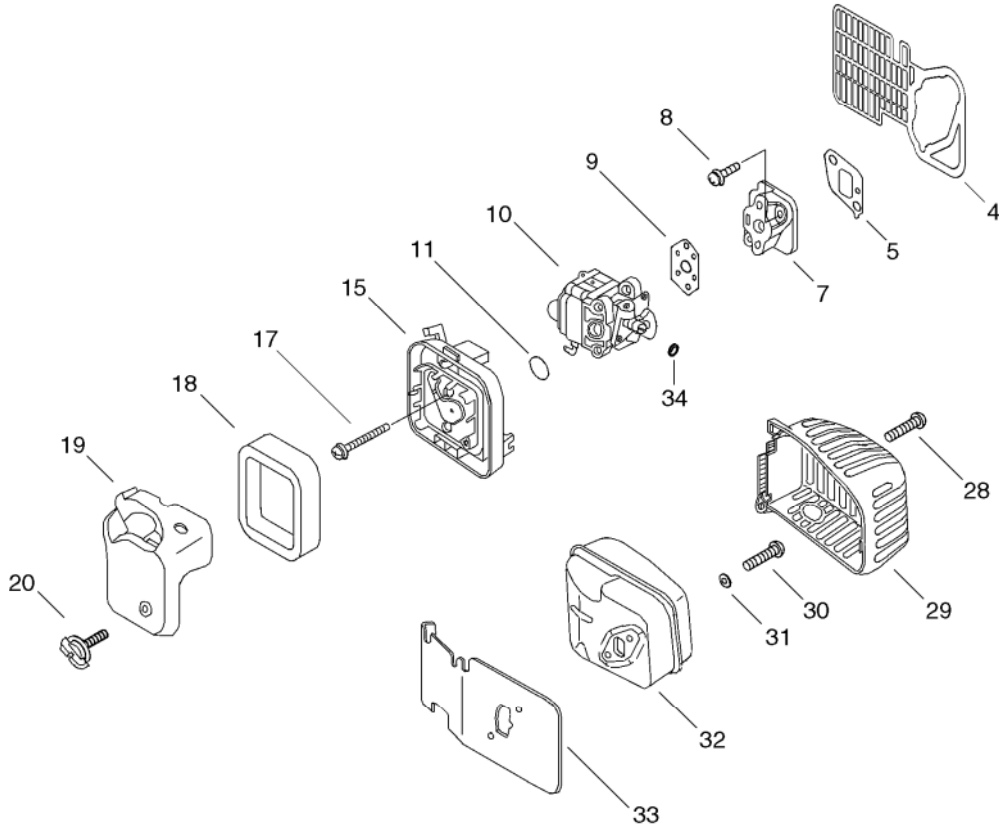
KEY	LV	PART NUMBER	Q'TY	DESCRIPTION	REMARKS	NOTE1	NOTE2
1		X502-000330	1	LABEL,ECHO	ECHO		
3		900253-05020	2	SCREW 5*20	5*20		
4		P022-007740	1	STARTER ASY			
5	+	P022-006840	1	STARTER,RECOIL			
6	++	177227-42030	1	GUIDE, ROPE			
7	+	177220-42030	1	SPRING, REWIND			
8	+	P022-006830	1	DRUM			
9	+	P022-006800	1	ROPE, STARTER	3.0*880		
10	+	177228-44330	1	GRIP, STARTER			
11	+	V452-000150	1	SPRING,TORSION			
12	+	A507-000030	1	CATCHER,PAWL			
13	+	177236-61830	1	SCREW			
14		A172-000250	1	COVER,FAN			
16		900239-05016	4	SCREW 5*16	5*16		
17		A052-000170	1	PULLEY,ASM STARTER			
18	+	P022-006850	2	PAWL, STARTER			
19	+	177234-05960	2	SPRING, RETURN			
20	+	P022-002100	2	E-RING	4		
21		900212-06014	2	SCREW 6*14	+SF6*14		
22		P021-003340	1	ROTOR,MAGNETO W/KEY			
23	+	100142-12330	1	KEY, WOODRUFF			
24		900515-00006	1	NUT, FLANGE 6	6		
25		91128-04022	2	BOLT HSH	CM-4*22		
26		A411-000100	1	COIL,IGNITION			
27		162010-55930	1	LEARD, GROUND	235L		
28		159010-10230	1	PLUG, SPARK (BPMR-7A	BPMR-7A		

2. STARTER, MAGNETO, CLUTCH



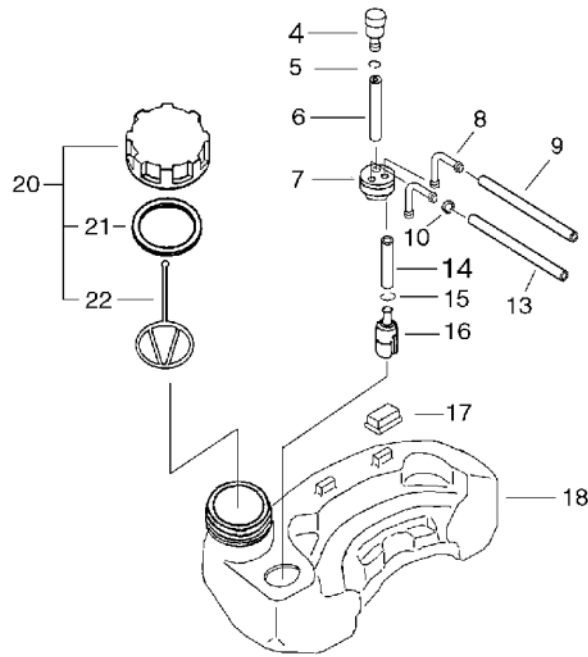
KEY	LV	PART NUMBER	Q'TY	DESCRIPTION	REMARKS	NOTE1	NOTE2
29		159011-03432	1	COIL, SPARK PLUG			
30		159012-03433	1	CAP, SPARK PLUG			
30		159012-03433	1	CAP, SPARK PLUG			
31		150117-09130	2	SPACER			
35		610350-12360	1	WASHER			
36		A056-000091	1	CLUTCH			
37		X543-000910	1	LABEL,MODEL	HC-30ES		

3. AIR CLEANER, MUFFLER



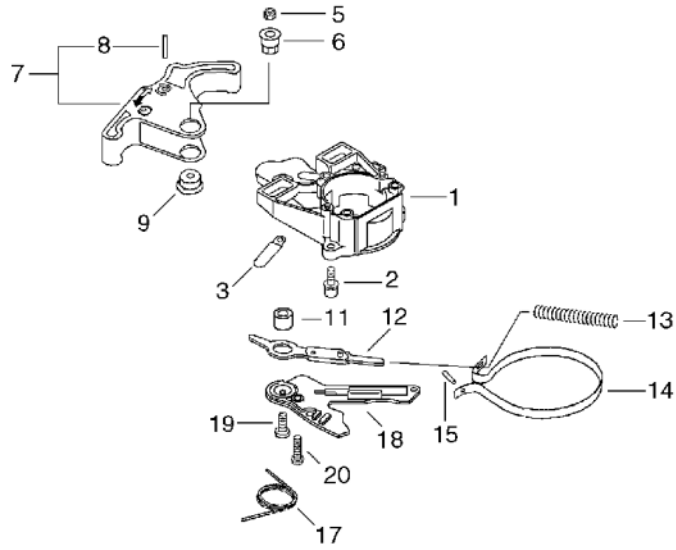
KEY	LV	PART NUMBER	Q'TY	DESCRIPTION	REMARKS	NOTE1	NOTE2
4		A128-000010	1	PLATE,DUST			
5		130010-61830	1	GASKET, INTAKE			
7		A200-000080	1	INSULATOR,INTAKE			
8		900238-05020	2	SCREW 5*20	5*20		
9		130010-44431	1	GASKET, INTAKE			
10		A021-000691	1	CARBURETOR,DIAPHRAGM	WYL-192A		
11		900720-00015	1	O-RING 15	P-15		
15		P021-006131	1	CASE, AIR CLEANER			
17		900242-05050	2	SCREW 5*50	5*50		
18		A226-000130	1	ELEMENT,AIR FILTER			
19		A232-000130	1	LID,CLEANER			
20		V299-000190	1	KNOB,FASTENER			
28		900239-05016	1	SCREW 5*16	5*16		
29		A320-000121	1	COVER,MUFFLER			
30		900105-05050	2	BOLT, H.S. 5*50	5*50		
31		900600-00005	2	WASHER 5	5		
32		P021-008700	1	MUFFLER ASY			
33		145510-61832	1	GASKET, MUFFLER			
34		V490-000440	1	CLIP			

4. FUEL TANK



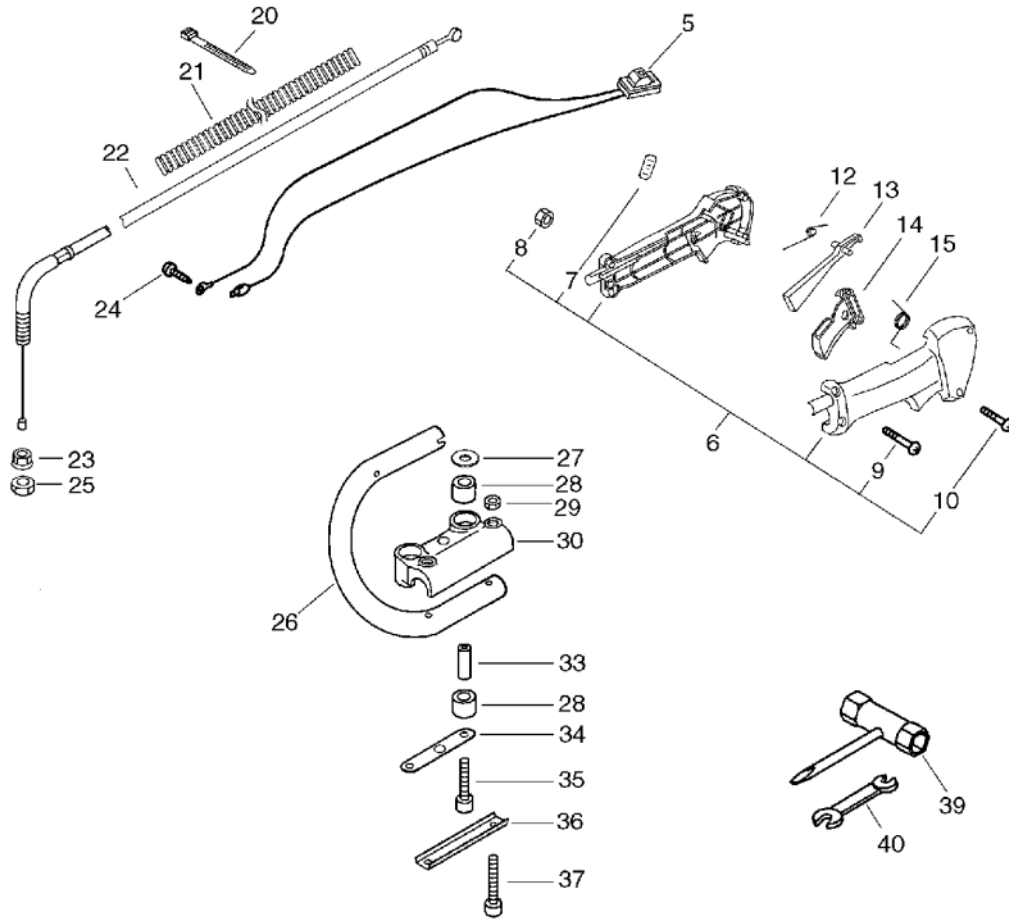
KEY	LV	PART NUMBER	Q'TY	DESCRIPTION	REMARKS	NOTE1	NOTE2
4		131300-56430	1	VALVE, CHECK			
5		132013-26630	1	CLIP	6.5MM		
6		132012-11960	1	PIPE 3*6*45	3*6*45 NBR		
7		132115-55930	1	GROMMET, FUEL			
8		V186-000080	2	JOINT,PIPE			
9		130110-54430	1	PIPE, IMPULSE	3*6*105 NBR		
10		132013-26630	1	CLIP	6.5MM		
13		V471-000630	1	PIPE			
14		132010-52830	1	PIPE	3*5*110 NBR		
15		132013-09820	1	CLIP	6MM		
16		131205-19831	1	STRAINER, FUEL			
17		131920-55430	4	CUSHION, FUEL TANK			
18		A350-000191	1	TANK,FUEL			
20		131004-55530	1	CAP ASSY, FUEL TANK			
21	+	131016-55830	1	GASKET, FUEL CAP			
22	+	131051-56030	1	CLIP, FUEL CAP	100L		

5. BRAKE



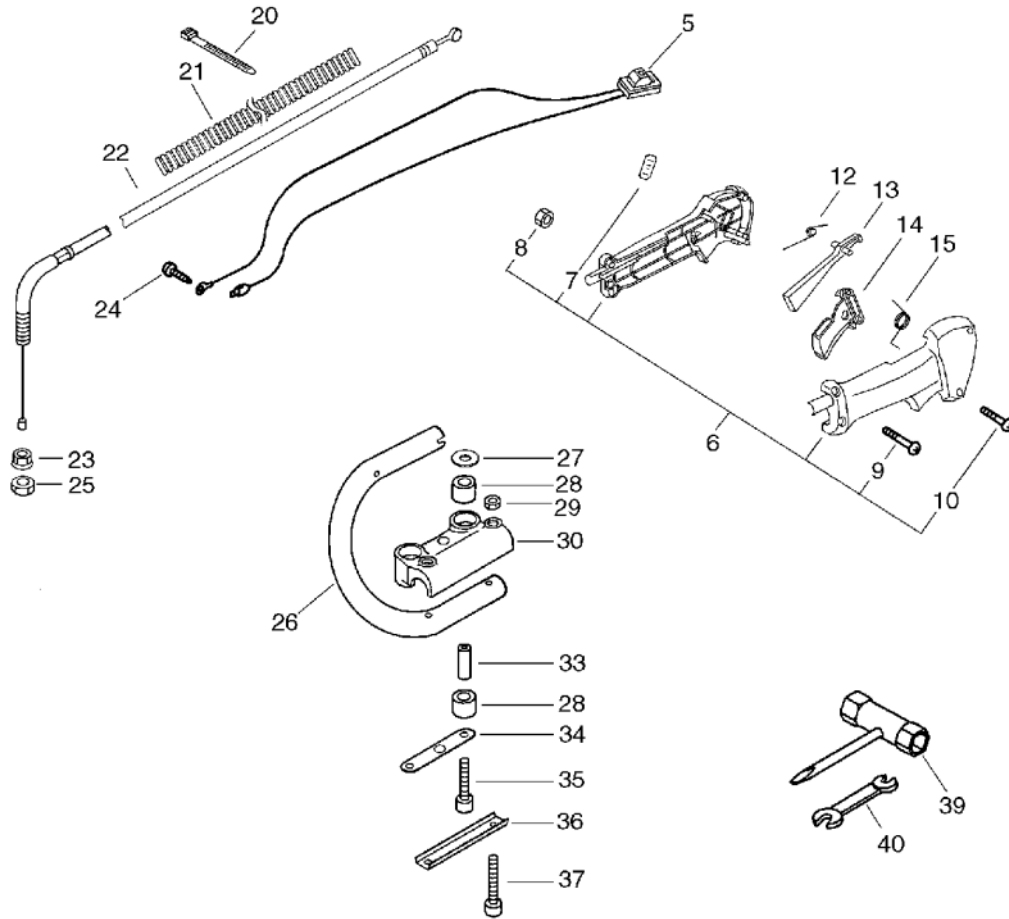
KEY	LV	PART NUMBER	Q'TY	DESCRIPTION	REMARKS	NOTE1	NOTE2
1		A570-000111	1	CASE,CLUTCH			
2		900238-05016	3	SCREW 5*16	5*16		
3		159116-21231	1	CLAMP			
5		900560-00005	1	NUT, LOCK 5	5		
6		V353-000060	1	COLLAR,5			
7		P021-006410	1	LEVER, BRAKE			
8	+	900330-30240	2	PIN 3*24	3*23.8		
9		433167-39130	1	SPACER			
11		433116-35430	1	SPACER 8	8*12*9		
12		C334-000041	1	CONNECTOR,BRAKE			
13		V450-000380	1	SPRING,COMPRESSION			
14		C328-000040	1	BAND,BRAKE			
15		93050-30098	1	ROLLER	F3*9.8		
17		V452-000180	1	SPRING,TORSION			
18		C345-000131	1	COVER,BRAKE			
19		900220-04010	3	SCREW 4*10	4*10		
20		900209-05030	1	SCREW, 5*30	5*30		

6. HANDLE



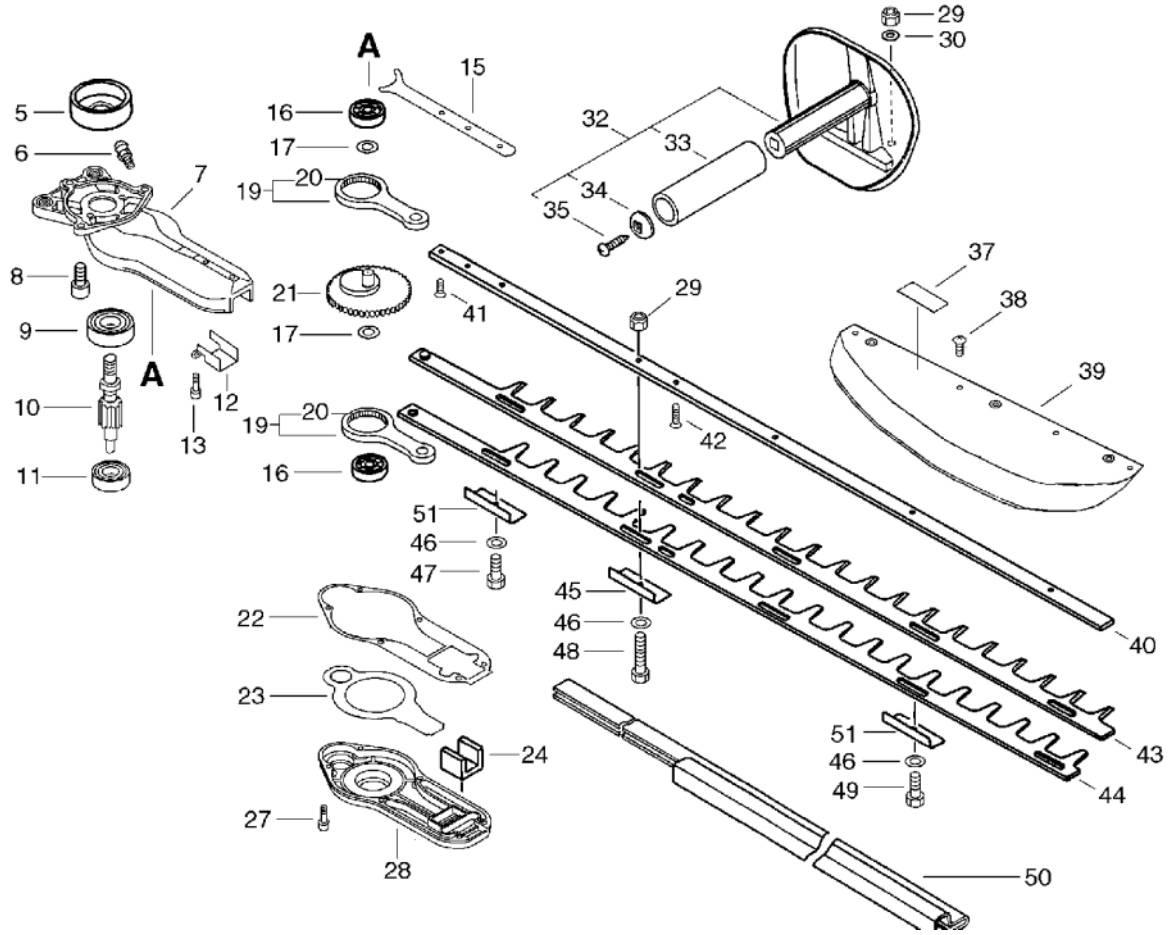
KEY	LV	PART NUMBER	Q'TY	DESCRIPTION	REMARKS	NOTE1	NOTE2
5		A440-000460	1	SWITCH,ON OFF			
6		P021-002612	1	GRIP ASY,F-HANDLE			
7	+	V162-000130	1	PLUG			
8	+	900500-00005	1	NUT 5	5		
9	+	900235-05030	1	SCREW 5*30	5*30		
10	+	900253-04016	3	SCREW 4*16	4*16		
12		V452-000050	1	SPRING,TORSION			
13		C460-000011	1	LOCKOUT,THROTTLE			
14		C450-000022	1	TRIGGER,THROTTLE			
15		V452-000060	1	SPRING,TORSION			
20		178121-43230	1	BAND	CV-150 BL		
21		V475-000850	1	TUBE			
22		V430-000980	1	CABLE,BOWDEN			
23		900502-00006	1	NUT 6 (3N)	3N6		
23		900518-00006	1	NUT, FLANGE	6		
24		900238-05010	1	SCREW 5*10	5*10		
26		C410-000170	1	HANDLE,REAR			
27		300217-00610	2	WASHER			
28		351228-07760	4	CUSHION			
29		900500-00005	2	NUT 5	5		
30		351217-07761	1	SUPPORTER, HANDLE			
33		351241-01260	2	SPASER			
34		351242-06961	1	PLATE, EYE			
35		900162-05045	2	BOLT, H.S. 5*45	5*45 W,SW		
36		351243-01260	1	BRACKET			
37		900162-05035	2	BOLT, H.S. 5*35	5*35 W,SW		

6. HANDLE



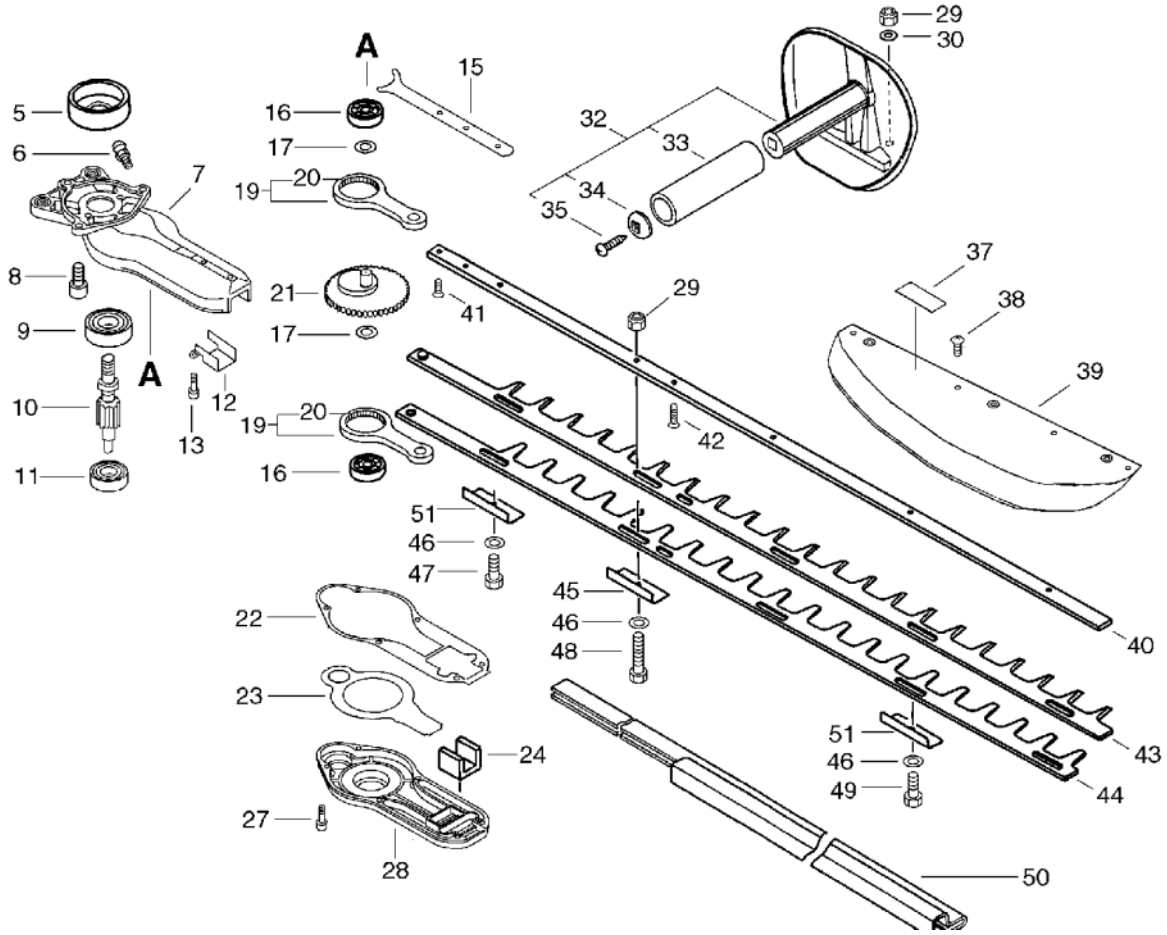
KEY	LV	PART NUMBER	Q'TY	DESCRIPTION	REMARKS	NOTE1	NOTE2
39		895410-03930	1	WRENCH, W/S. DRIVER			
39		895410-03930	1	WRENCH, W/S. DRIVER			
40		895112-00330	1	SPANNER 8*10			

7. GEAR CASE, CUTTER



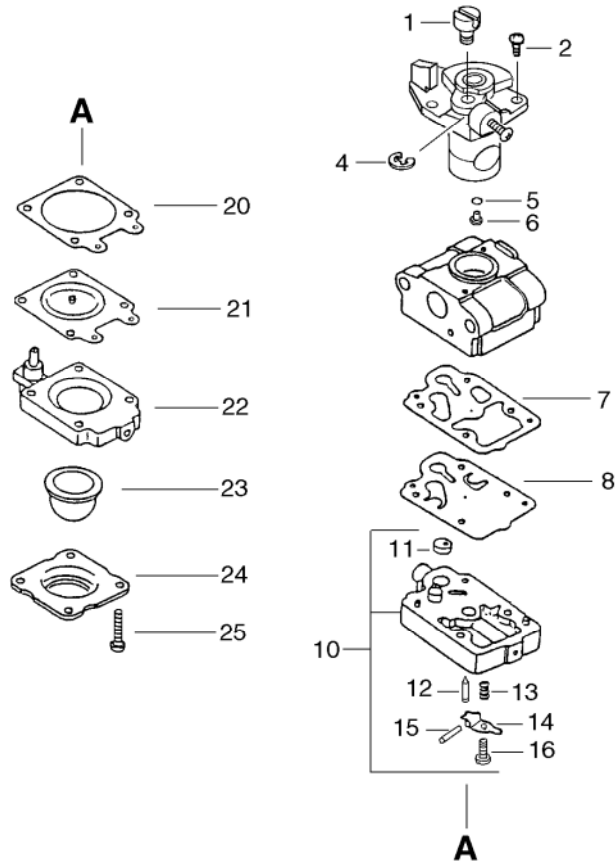
KEY	LV	PART NUMBER	Q'TY	DESCRIPTION	REMARKS	NOTE1	NOTE2
5		A556-000301	1	DRUM,CLUTCH			
6		880110-10860	1	NIPPLE, GREASE			
7		C531-000270	1	CASE,GEAR			
8		900162-06018	3	BOLT, H.S.H	6*18 W, SW		
9		900812-06200	1	BEARING, BALL 6200	6200DDU(LLU)		
10		V650-000160	1	GEAR,SPUR			
11		900804-00608	1	BEARING, BALL 608	608ZZ		
12		C538-000090	1	GUIDE,CUTTER			
13		900162-04016	2	BOLT, H.S. 4*16	4*16 W,SW		
15		V150-001240	1	PLATE,EYE			
16		900810-06200	2	BEARING, BALL 6200	6200		
17		100014-17330	2	SPACER, PISTON PIN			
19		P021-008400	1	ROD,CONNECTING			
20	+	610327-01261	2	BEARING, NEEDLE			
21		V060-000050	1	GEAR,SPUR			
22		V110-000030	1	GASKET,GEAR CASE			
23		C542-000020	1	PLATE,CASE LID			
24		V541-000100	1	SEAL			
27		900162-04016	6	BOLT, H.S. 4*16	4*16 W,SW		
28		C531-000280	1	CASE,GEAR			
29		433022-06460	6	NUT			
30		900603-00006	2	WASHER 6	6.5*13*1		
32		351200-07363	1	HANDLE ASY			
33	+	351012-07361	1	GRIP, REAR HANDLE			
34	+	351217-07361	1	SUPPORTER, F. HANDLE			
35	+	900253-05014	1	SCREW 5*14	5*14		

7. GEAR CASE, CUTTER



KEY	LV	PART NUMBER	Q'TY	DESCRIPTION	REMARKS	NOTE1	NOTE2
37		X505-002030	1	LABEL,CAUTION	37*35		
38		900209-05010	4	SCREW, 5*10	5*10		
39		C571-000010	1	GUIDE, COLLECTION			
40		X425-000154	1	SUPPORT, CUTTER	L804 T5		
41		91103-06020	2	BOLT HSH	6*20		
42		91103-06030	1	BOLT HSH	6*30		
43		X411-000244	1	CUTTER			
44		X411-000254	1	CUTTER			
45		699213-02063	1	INSULATOR			
46		699118-01261	5	WASHER			
47		699115-08960	1	BOLT, CUTTER			
48		351027-02060	1	BOLT			
49		699115-02062	3	BOLT			
50		898523-02961	1	COVER, CUTTER			
51		699213-04160	4	INSULATOR			

8. CARBURETOR



KEY	LV	PART NUMBER	Q'TY	DESCRIPTION	REMARKS	NOTE1	NOTE2
		A021-000692	1	CARBURETOR,DIAPHRAGM	WYL-192A		
1	+	123172-45130	1	SWIVEL			
2	+	123114-44330	2	SCREW			
4	+	123173-07930	1	CLIP			
5	+	123183-40630	1	O-RING			
6	+	P003-000280	1	JET			
7	+	123125-40630	1	GASKET, PUMP			
8	+	123112-40630	1	DIAPHRAGM, PUMP			
10	+	P003-000780	1	BODY ASY,PUMP			
11	++	123126-10631	1	SCREEN, INLET			
12	++	123137-19830	1	VALVE, INLET NEEDLE			
13	++	123122-05560	1	SPRING, METER. LEVER			
14	++	123123-03930	1	LEVER, METERING			
15	++	123138-03930	1	PIN, METERING LEVER			
16	++	123139-05560	1	SCREW, M. LEVER PIN			
20	+	123140-05560	1	GASKET, M. DIAPHRAGM			
21	+	P003-001850	1	DIAPHRAGM, METERING			
22	+	123180-05560	1	BODY, AIR PURGE			
23	+	123181-40630	1	PUMP, PRIMER			
24	+	123142-05560	1	COVER, PRIMER PUMP			
25	+	123110-05560	4	SCREW, PUMP COVER			

Index

Patrs Number	Key No.	Patrs Number	Key No.	Patrs Number	Key No.
100012-61830	1 - 14	177227-42030	2 - 6	900242-05050	3 - 17
100013-61830	1 - 16	177228-44330	2 - 10	900253-04016	6 - 10
100014-17330	7 - 17	177234-05960	2 - 19	900253-05014	7 - 35
100015-61830	1 - 15	177236-61830	2 - 13	900253-05020	2 - 3
100142-12330	2 - 23	178121-43230	6 - 20	900330-30240	5 - 8
100212-61830	1 - 6	300217-00610	6 - 27	900500-00005	6 - 8
100215-03930	1 - 10	351012-07361	7 - 33	900500-00005	6 - 29
100242-61830	1 - 9	351027-02060	7 - 48	900502-00006	6 - 23
123110-05560	8 - 25	351200-07363	7 - 32	900515-00006	2 - 24
123112-40630	8 - 8	351217-07361	7 - 34	900518-00006	6 - 23
123114-44330	8 - 2	351217-07761	6 - 30	900560-00005	5 - 5
123122-05560	8 - 13	351228-07760	6 - 28	900600-00005	3 - 31
123123-03930	8 - 14	351241-01260	6 - 33	900603-00006	7 - 30
123125-40630	8 - 7	351242-06961	6 - 34	900720-00015	3 - 11
123126-10631	8 - 11	351243-01260	6 - 36	900804-00608	7 - 11
123137-19830	8 - 12	433022-06460	7 - 29	900810-06200	7 - 16
123138-03930	8 - 15	433116-35430	5 - 11	900810-36000	1 - 8
123139-05560	8 - 16	433167-39130	5 - 9	900812-06200	7 - 9
123140-05560	8 - 20	610327-01261	7 - 20	91103-06020	7 - 41
123142-05560	8 - 24	610350-12360	2 - 35	91103-06030	7 - 42
123172-45130	8 - 1	699115-02062	7 - 49	91128-04022	2 - 25
123173-07930	8 - 4	699115-08960	7 - 47	93050-30098	5 - 15
123180-05560	8 - 22	699118-01261	7 - 46	A011-000180	1 - 11
123181-40630	8 - 23	699213-02063	7 - 45	A021-000691	3 - 10
123183-40630	8 - 5	699213-04160	7 - 51	A021-000692	8 -
130010-44431	3 - 9	880110-10860	7 - 6	A052-000170	2 - 17
130010-61830	3 - 5	895112-00330	6 - 40	A056-000091	2 - 36
130110-54430	4 - 9	895410-03930	6 - 39	A101-000090	1 - 17
131004-55530	4 - 20	895410-03930	6 - 39	A128-000010	3 - 4
131016-55830	4 - 21	898523-02961	7 - 50	A130-000611	1 - 19
131051-56030	4 - 22	900105-05050	3 - 30	A160-000380	1 - 25
131205-19831	4 - 16	900162-04016	7 - 13	A172-000250	2 - 14
131300-56430	4 - 4	900162-04016	7 - 27	A200-000080	3 - 7
131920-55430	4 - 17	900162-05020	1 - 20	A226-000130	3 - 18
132010-52830	4 - 14	900162-05025	1 - 7	A232-000130	3 - 19
132012-11960	4 - 6	900162-05035	6 - 37	A320-000121	3 - 29
132013-09820	4 - 15	900162-05045	6 - 35	A350-000191	4 - 18
132013-26630	4 - 5	900162-06018	7 - 8	A411-000100	2 - 26
132013-26630	4 - 10	900209-05010	7 - 38	A440-000460	6 - 5
132115-55930	4 - 7	900209-05030	5 - 20	A507-000030	2 - 12
145510-61832	3 - 33	900212-06014	2 - 21	A556-000301	7 - 5
150117-09130	2 - 31	900220-04010	5 - 19	A570-000111	5 - 1
159010-10230	2 - 28	900235-05030	6 - 9	C328-000040	5 - 14
159011-03432	2 - 29	900238-05010	6 - 24	C334-000041	5 - 12
159012-03433	2 - 30	900238-05016	5 - 2	C345-000131	5 - 18
159012-03433	2 - 30	900238-05020	3 - 8	C410-000170	6 - 26
159116-21231	5 - 3	900239-05016	2 - 16	C450-000022	6 - 14
162010-55930	2 - 27	900239-05016	3 - 28	C460-000011	6 - 13
177220-42030	2 - 7	900239-05018	1 - 27	C531-000270	7 - 7

Index

Patrs Number	Key No.	Patrs Number	Key No.	Patrs Number	Key No.
C531-000280	7 - 28				
C538-000090	7 - 12				
C542-000020	7 - 23				
C571-000010	7 - 39				
P003-000280	8 - 6				
P003-000780	8 - 10				
P003-001850	8 - 21				
P021-002612	6 - 6				
P021-003340	2 - 22				
P021-003941	1 - 5				
P021-006131	3 - 15				
P021-006410	5 - 7				
P021-008400	7 - 19				
P021-008700	3 - 32				
P021-014760	1 - 13				
P022-002100	2 - 20				
P022-006800	2 - 9				
P022-006830	2 - 8				
P022-006840	2 - 5				
P022-006850	2 - 18				
P022-007740	2 - 4				
V060-000050	7 - 21				
V100-000120	1 - 18				
V110-000030	7 - 22				
V150-001240	7 - 15				
V162-000130	6 - 7				
V186-000080	4 - 8				
V299-000190	3 - 20				
V323-000060	1 - 26				
V353-000060	5 - 6				
V430-000980	6 - 22				
V450-000380	5 - 13				
V452-000050	6 - 12				
V452-000060	6 - 15				
V452-000150	2 - 11				
V452-000180	5 - 17				
V471-000630	4 - 13				
V475-000850	6 - 21				
V490-000440	3 - 34				
V541-000100	7 - 24				
V650-000160	7 - 10				
X411-000244	7 - 43				
X411-000254	7 - 44				
X425-000154	7 - 40				
X502-000330	2 - 1				
X505-002030	7 - 37				
X543-000910	2 - 37				

YAMABIKO CORPORATION

7-2 SUEHIROCHO 1-CHOME, OHME, TOKYO 198-8760, JAPAN
PHONE: 81-428-32-6118. FAX: 81-428-32-6145.



10Hb
No. 61-085