

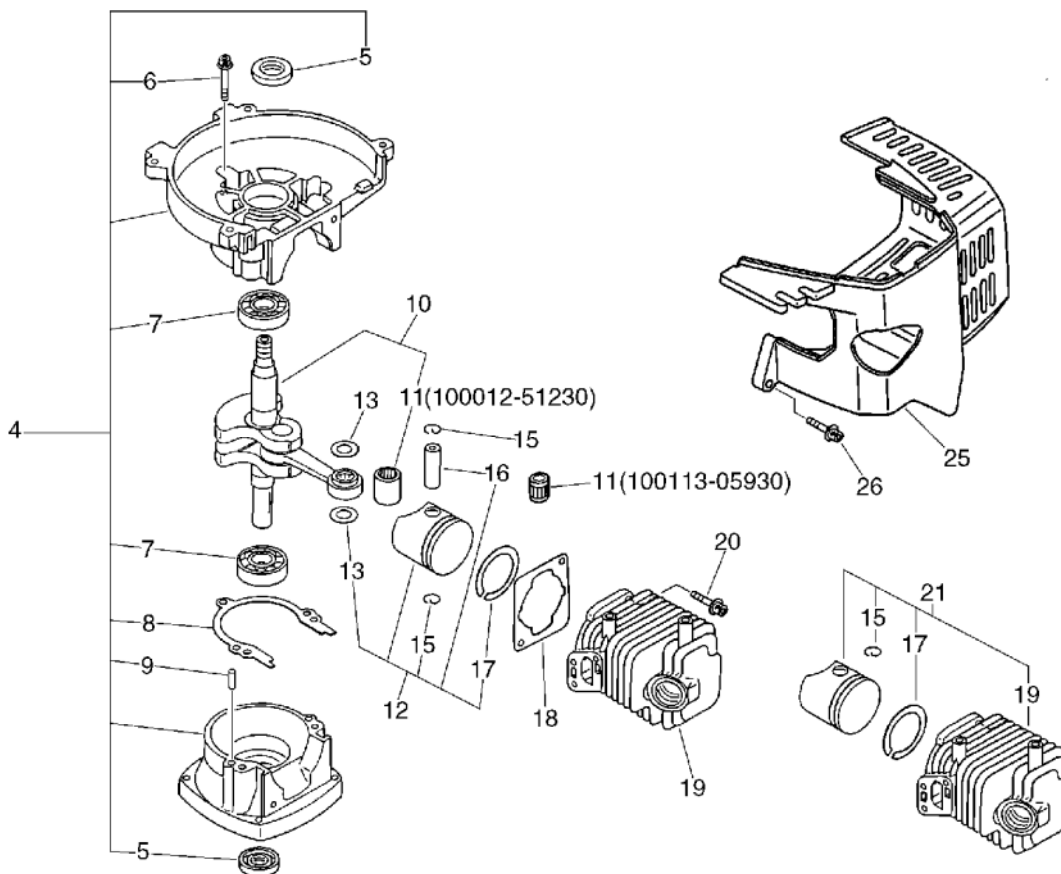


PARTS CATALOGUE

HEDGE TRIMMER HC-2400(6digits)(21)(35)(36)

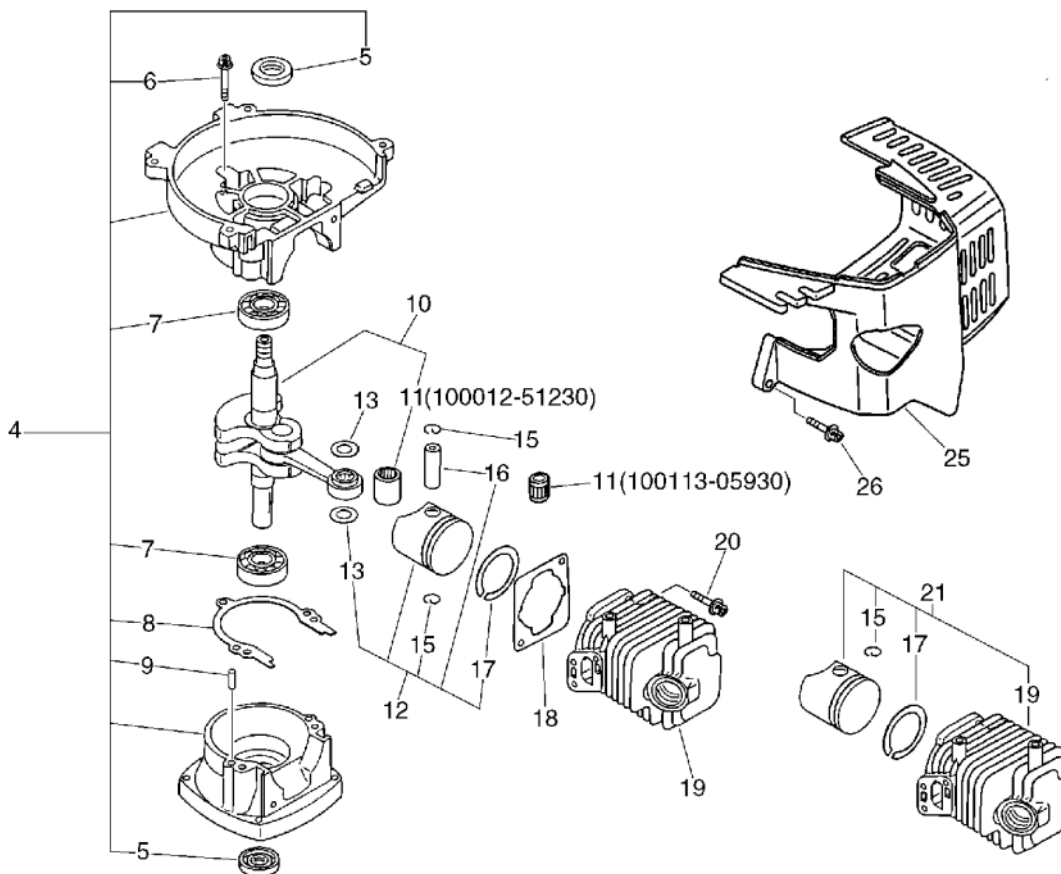
HC-2400(6digits)(21)(35)(36)

1. Cylinder, Crankcase, Piston



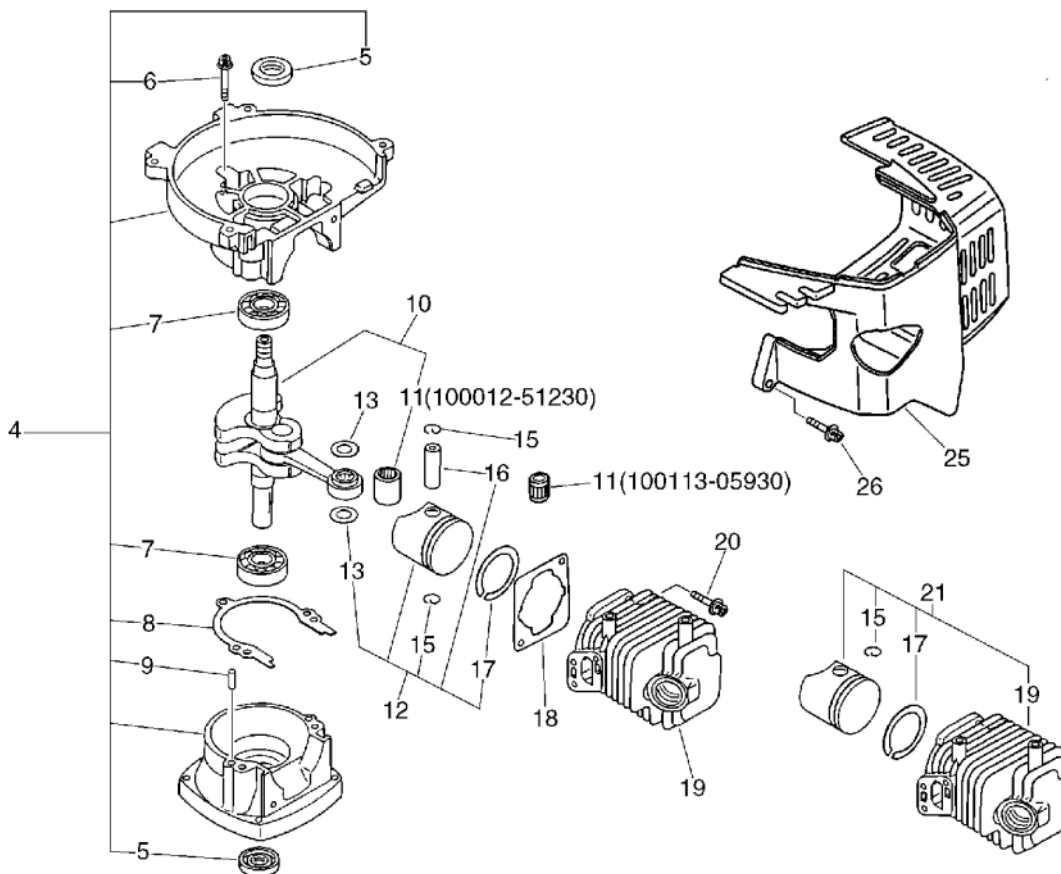
KEY	LV	PART NUMBER	Q'TY	DESCRIPTION	REMARKS	NOTE1	NOTE2
4		100204-51030	1	CRANKCASE KIT		Sus. by 100204-51031	
4		100204-51031	1	CRANKCASE KIT		Sr/Nr 027572 and before	
4		100204-52130	1	CRANKCASE KIT		Sus. by 100204-52132	
4		100204-52131	1	CRANKCASE KIT		Sus. by 100204-52132	
4		100204-52132	1	CRANKCASE KIT		Sr/Nr 027573 and after	
5	+	100212-42030	2	OILSEAL	ISCD12*22*4.5	Sus. by 100212-42031	
5	+	100212-42031	2	OILSEAL	ISCD 12*22*4.5		
6	+	900162-05028	3	BOLT, H.S. 5*28	5*28 W,SW		
9	+	100215-03930	2	PIN, DOWEL			
7	+	900810-36201	2	BEARING, BALL 6201	6201/C3	Sus. by 94035-36201	
7	+	94035-36201	2	BEARING BALL	6201X3JR2C3		
8	+	100242-42030	1	GASKET, CRANKCASE			
10		100100-08960	1	CRANKSHAFT ASSY		Sr/Nr 009000 and before	
11	+	100012-51230	1	BEARING, NEEDLE	8*12*10	Sr/Nr 009000 and before	
10		100105-08961	1	CRANKSHAFT		Sr/Nr 009001 to 031973	

1. Cylinder, Crankcase, Piston



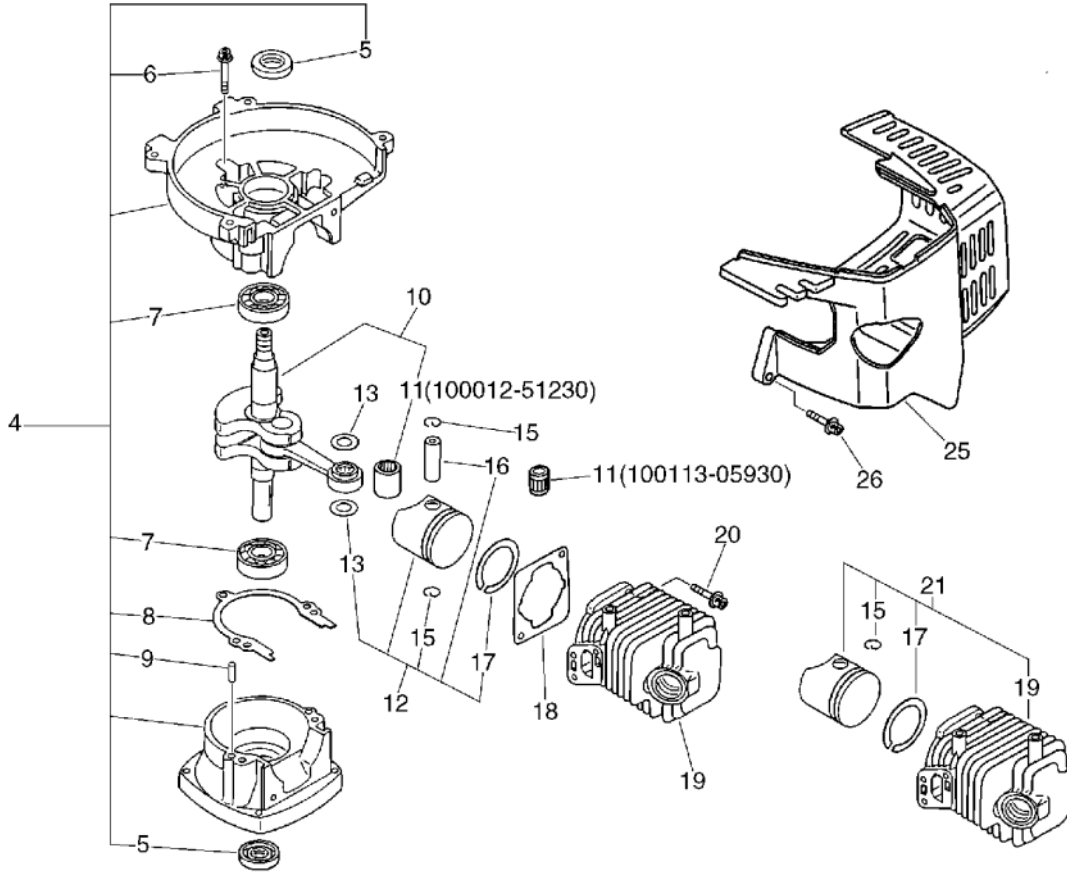
KEY	LV	PART NUMBER	Q'TY	DESCRIPTION	REMARKS	NOTE1	NOTE2
10		100100-09760	1	CRANKSHAFT ASSY		Sus. by 100100-09764	
10		100100-09761	1	CRANKSHAFT		Sus. by 100100-09764	
10		100100-09762	1	CRANKSHAFT		Sus. by 100100-09764	
10		100100-09763	1	CRANKSHAFT		Sus. by 100100-09764	
10		100100-09764	1	CRANKSHAFT		Sr/Nr 031974 and after	
12		100000-52130	1	PISTON KIT		Sr/Nr 009000 and before	
12		100000-08960	1	PISTON KIT		Sus. by 100000-08963	
12		100000-08962	1	PISTON KIT		Sus. by 100000-08963	
12		100000-08963	1	PISTON KIT		Sr/Nr 009001 and after	
11	+	100113-05930	1	BEARING, NEEDLE	8*12*8	Sr/Nr 009001 and after	
13	+	100014-11520	1	SPACER, PISTON PIN		Sr/Nr 009000 and before	
13	+	100014-08960	1	SPACER, PISTON PIN		Sr/Nr 009001 and after	
15	+	100015-04630	2	CIRCLIP, PISTON PIN			
16	+	100013-11520	1	PIN, PISTON			

1. Cylinder, Crankcase, Piston



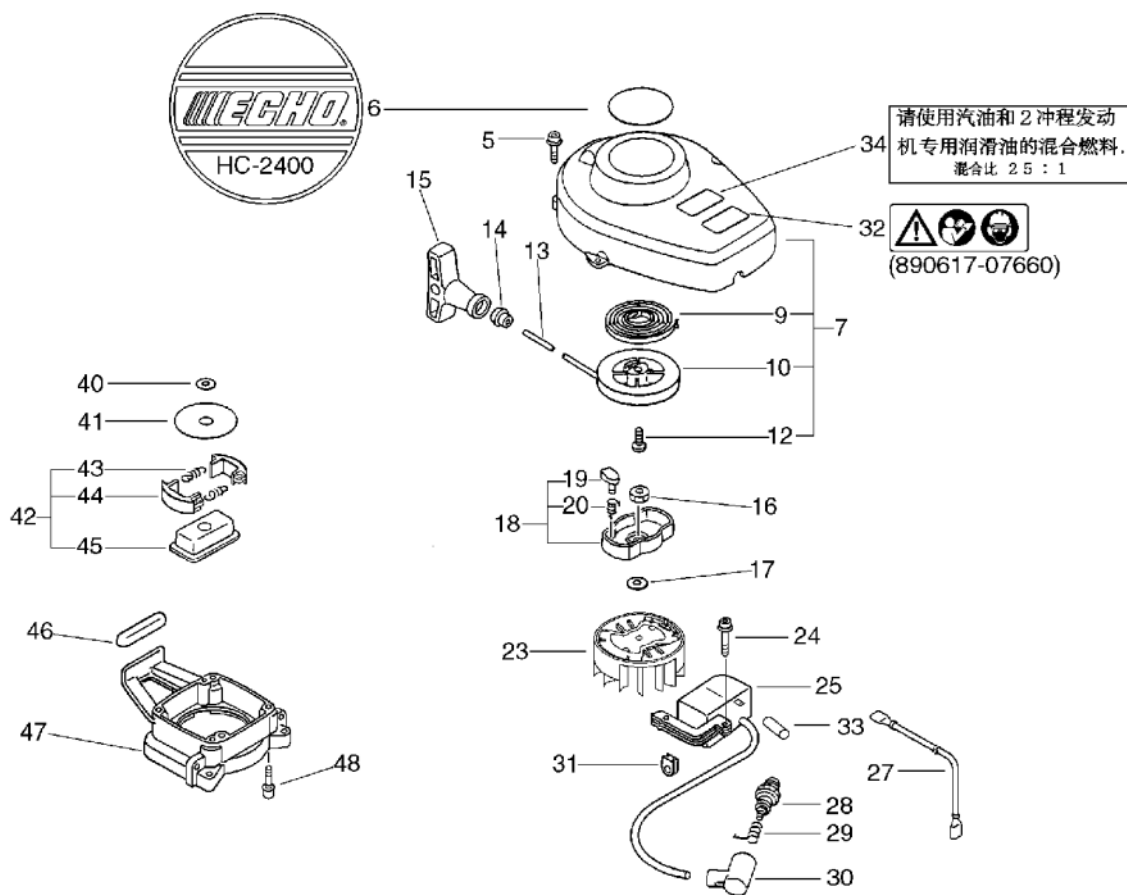
KEY	LV	PART NUMBER	Q'TY	DESCRIPTION	REMARKS	NOTE1	NOTE2
17	+	100011-21230	1	RING, PISTON		Sr/Nr 009000 and before	
17	+	100011-09560	2	RING, PISTON		Sr/Nr 009001 and after	
18		101010-44330	1	GASKET, CYL. BASE		Sus. by 101010-44332	
18		101010-44331	1	GASKET, CYL. BASE		Sus. by 101010-44332	
18		101010-44332	1	GASKET, CYL. BASE			
19		101011-09560	1	CYLINDER		Sr/Nr 031973 and before	
19		101011-08960	1	CYLINDER (CR)		Sus. by 101003-08960	
21		101003-08960	1	CYLINDER PISTON KIT		Sr/Nr 031974 and after	
15	+	100015-04630	2	CIRCLIP, PISTON PIN			
17	+	100011-09560	2	RING, PISTON		Sr/Nr 009001 and after	
19	+	101011-08961	1	CYLINDER (CR)		Sr/Nr 036348 and after	
20		900162-05022	2	BOLT, H.S. 5*22	5*22 W,SW		
25		101514-05960	1	COVER, CYLINDER		Sus. by 101514-08960	
25		101514-08960	1	COVER, CYLINDER			
26		900238-04022	2	SCREW 4*22	4*22	Sus. by 900162-04022	

1. Cylinder, Crankcase, Piston



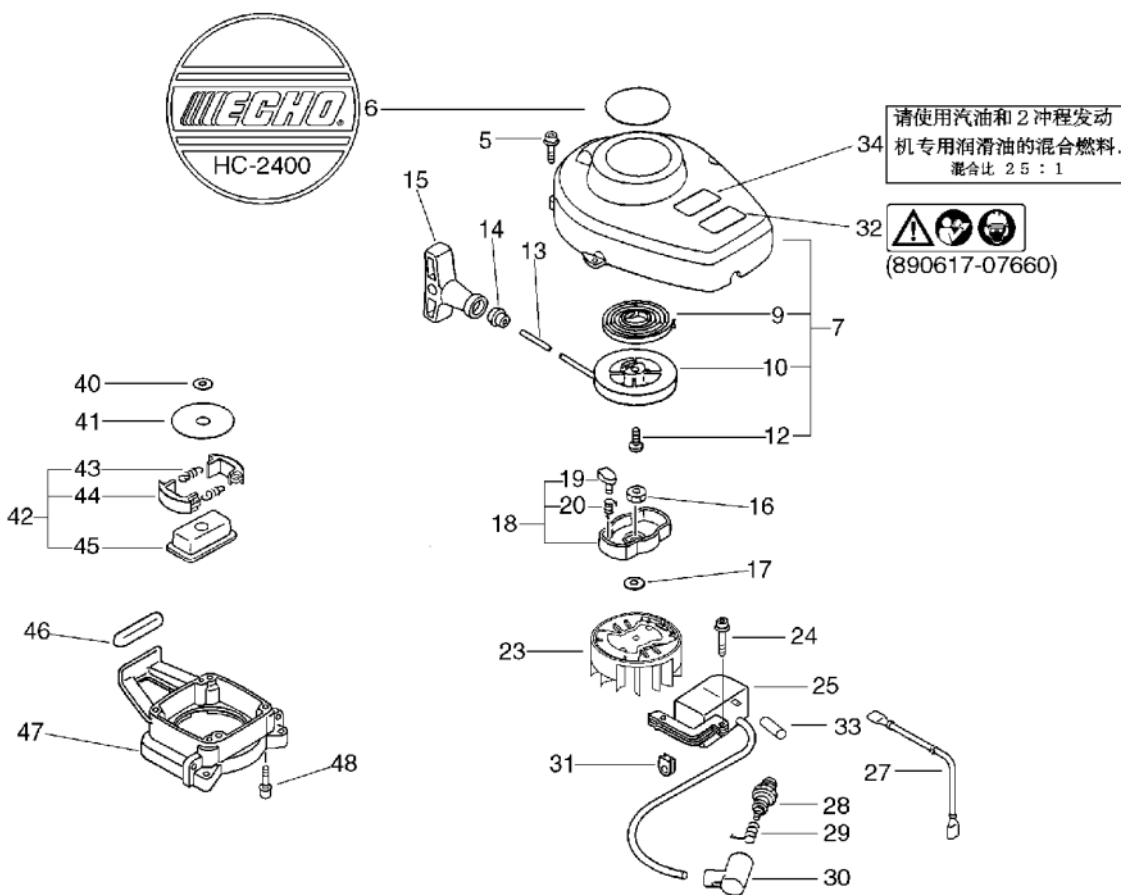
KEY	LV	PART NUMBER	Q'TY	DESCRIPTION	REMARKS	NOTE1	NOTE2
26		900162-04022	2	BOLT, H.S. 4*22	4*22 W,SW		

2. Starter, Magneto, Clutch



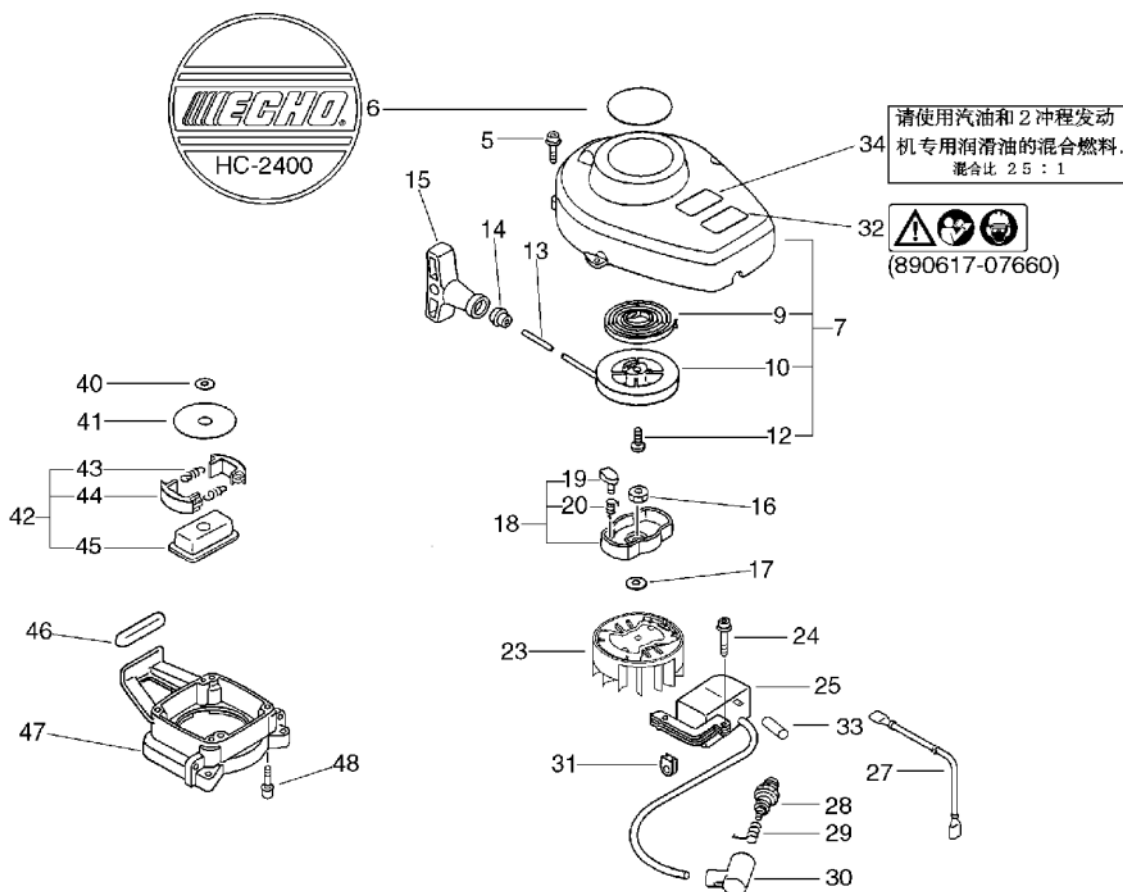
KEY	LV	PART NUMBER	Q'TY	DESCRIPTION	REMARKS	NOTE1	NOTE2
5		900238-04016	4	SCREW 4*16	4*16	Sus. by 900163-04016	
5		900162-04016	4	BOLT, H.S. 4*16	4*16 W,SW	Sr/Nr 35501001 and after	
5		900163-04016	4	BOLT HSH		Sr/Nr 35501000 and before	
6		890112-08961	1	LABEL, MODEL		Sus. by 890112-08962	
6		890112-08962	1	LABEL, MODEL			
7		177200-05962	1	STARTER ASSY			
9	+	177220-42030	1	SPRING, REWIND			
10	+	177215-05960	1	DRUM, STARTER			
12	+	177236-44330	1	SCREW			
13	+	177226-05960	1	ROPE, STARTER	3.5*830		
14	+	177227-42030	1	GUIDE, ROPE			
15	+	177228-06530	1	GRIP, STARTER			
16		900512-00008	1	NUT 3N 8 (L-H)	3N 8		
17		900600-00008	1	WASHER 8	8		
18		177202-07360	1	PAWL ASSY, STARTER		Sus. by 177202-07361	
18		177202-07361	1	PAWL ASM., STARTER			
19	+	177218-44330	1	PAWL, STARTER	BLACK		
20	+	177234-05960	1	SPRING, RETURN		Sus. by P022-007980	
20	+	P022-007980	1	SPRING, RETURN			

2. Starter, Magneto, Clutch



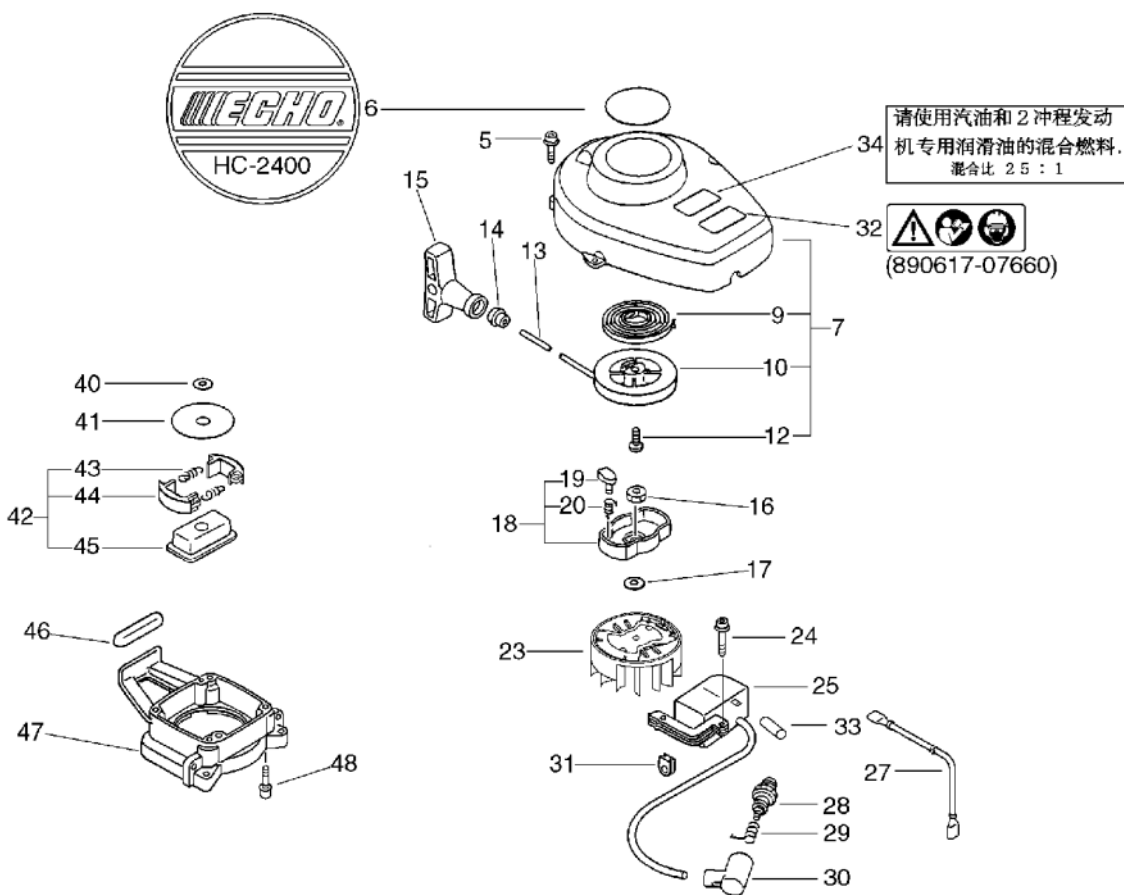
KEY	LV	PART NUMBER	Q'TY	DESCRIPTION	REMARKS	NOTE1	NOTE2
23		156801-44730	1	FLYWHEEL		Sus. by 156801-12360	
23		156801-44731	1	FLYWHEEL		Sus. by 156801-12360	
23		156801-09660	1	FLYWHEEL		Sus. by set of 156601-52130 and 156801-12360	
23		156801-12360	1	ROTOR, MAGNETO		Sr/Nr 037100 and before	
23		A409-000000	1	ROTOR, MAGNETO		Sr/Nr 037101 and after	
24		900162-04022	2	BOLT, H.S. 4*22	4*22 W, SW		
25		156601-44730	1	COIL, IGNITION		Sus. by 156601-44731	
25		156601-44731	1	COIL, IGNITION		Sr/Nr 031973 and before	
25		156601-52130	1	COIL, IGNITION		Sr/Nr 031974 and after	
25		156626-52730	1	COIL, IGNITION		Sus. by set of 156601-52130 and 156801-12360	
27		162021-52130	1	LEAD	210L	Sus. by 162010-52830	
27		162010-52830	1	LEAD, GROUND			

2. Starter, Magneto, Clutch



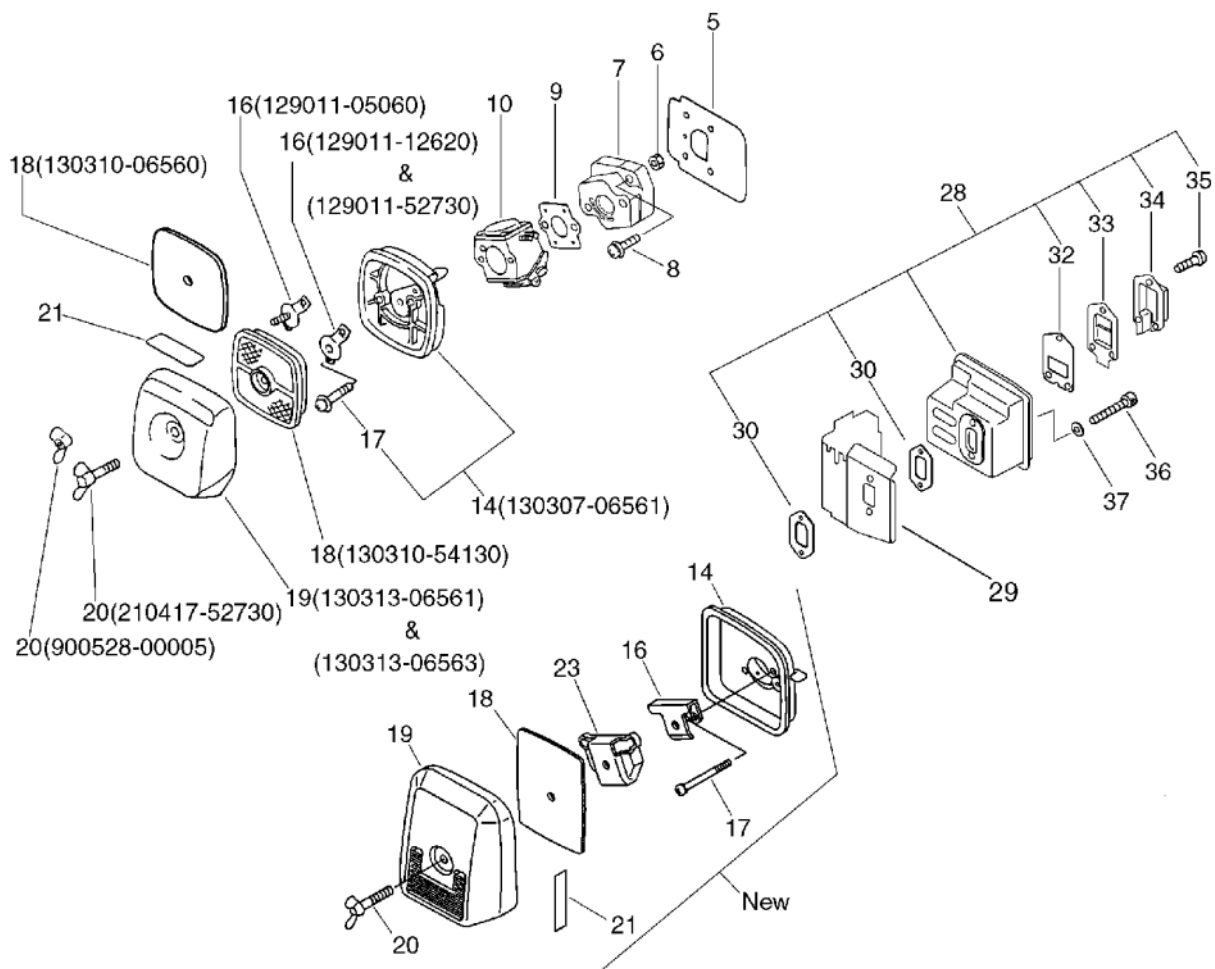
KEY	LV	PART NUMBER	Q'TY	DESCRIPTION	REMARKS	NOTE1	NOTE2
28		159017-13930	1	PLUG, SPARK (CJ-7Y)	CJ-7Y	Sus. by 159010-10230	
28		159017-10230	1	PLUG, SPARK (RCJ-7Y)	RCJ-7Y	Sus. by 159010-10230	
28		159010-10230	1	PLUG, SPARK (BPMR-7A)	BPMR-7A		
29		159011-03432	1	COIL, SPARK PLUG			
30		159012-01620	1	CAP, SPARK PLUG			
31		156110-04920	1	BUSHING			
32		890310-08960	1	LABEL, MODEL		Sus. by 890617-07660	
32		890617-12620	1	LABEL, CAUTION		Sus. by 890617-07660	
32		890617-07660	1	LABEL, CAUTION			
33		V475-001900	1	TUBE	7*8.6*30		
34		X505-001220	1	LABEL, CAUTION		CHINA	
40		175014-05360	1	WASHER, CLUTCH	8.2*19*3.2		
41		175019-04920	1	PLATE, CLUTCH			
42		175000-02961	1	CLUTCH ASSY		Sus. by 175000-02962	
42		175000-02962	1	CLUTCH ASSY			
43	+	175018-05130	2	SPRING, CLUTCH		Can be used on the 175000-02961 only	
43	+	175018-05960	2	SPRING, CLUTCH		Can be used on the 175000-02962 only	

2. Starter, Magneto, Clutch



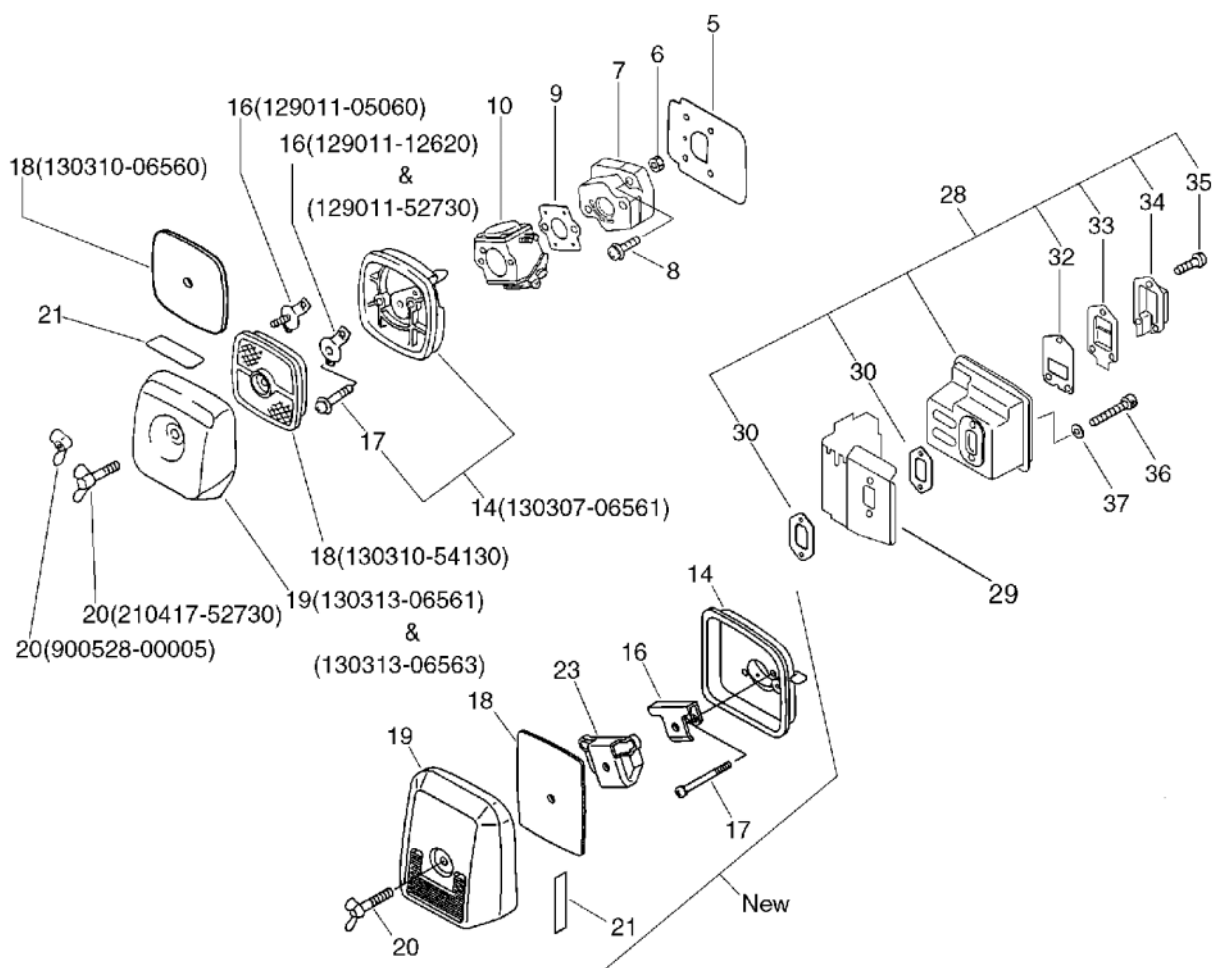
KEY	LV	PART NUMBER	Q'TY	DESCRIPTION	REMARKS	NOTE1	NOTE2
44	+	175009-05131	1	SHOE, CLUTCH			
45	+	175016-07330	1	HUB, CLUTCH			
46		131920-28230	1	CUSHION, FUEL TANK			
47		610223-05960	1	CASE, CLUTCH			
48		900162-04016	4	BOLT, H.S. 4*16	4*16 W,SW	Sr/Nr 35501001 and after	
48		900163-04016	4	BOLT HSH		Sr/Nr 35501000 and before	

3. Air Cleaner, Muffler



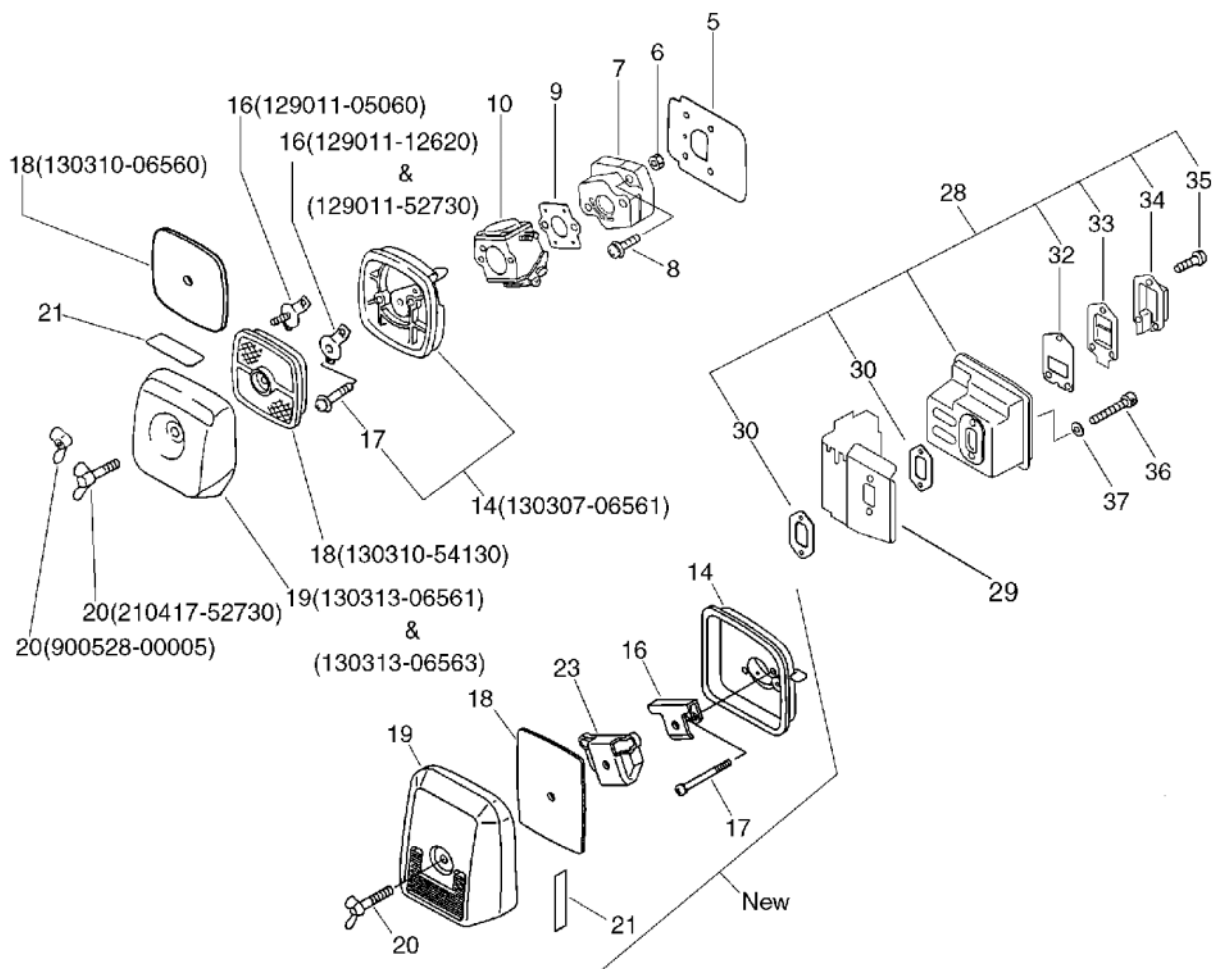
KEY	LV	PART NUMBER	Q'TY	DESCRIPTION	REMARKS	NOTE1	NOTE2
5		130010-42031	1	GASKET		Sus. by 130010-42032	
5		130010-42032	1	GASKET,INTAKE			
6		900500-00005	2	NUT 5	5		
7		130017-42031	1	INSULATOR, INTAKE			
8		900238-05020	2	SCREW 5*20	5*20		
9		V103-000111	1	GASKET,INTAKE		Sr/Nr 35501000 and before	
9		130016-42031	1	GASKET, INTAKE		Sr/Nr 35501001 and after	
10		125200-08960	1	CARBURETOR ASSY	C1U-K31	Sus. by 125200-08961	
10		125200-08961	1	CARBURETOR ASSY	C1U-K31	Sr/Nr 009000 and before	
10		125200-08962	1	CARBURETOR ASSY	C1U-K31B	Sr/Nr 009001 to 031973	
10		125200-08460	1	CARBURETOR ASSY	C1U-K45	Sus. by 125200-05964	
10		125200-05961	1	CARBURETOR C1U-K51	C1U-K51	Sus. by 125200-05964	
10		125200-05962	1	CARBURETOR	C1U-K51	Sus. by 125200-05964	
10		125200-05963	1	CARBURETOR C1U-K51	C1U-K51	Sus. by 125200-05964	
10		125200-05964	1	CARBURETOR	C1U-K51	Sr/Nr 031974 and after	

3. Air Cleaner, Muffler



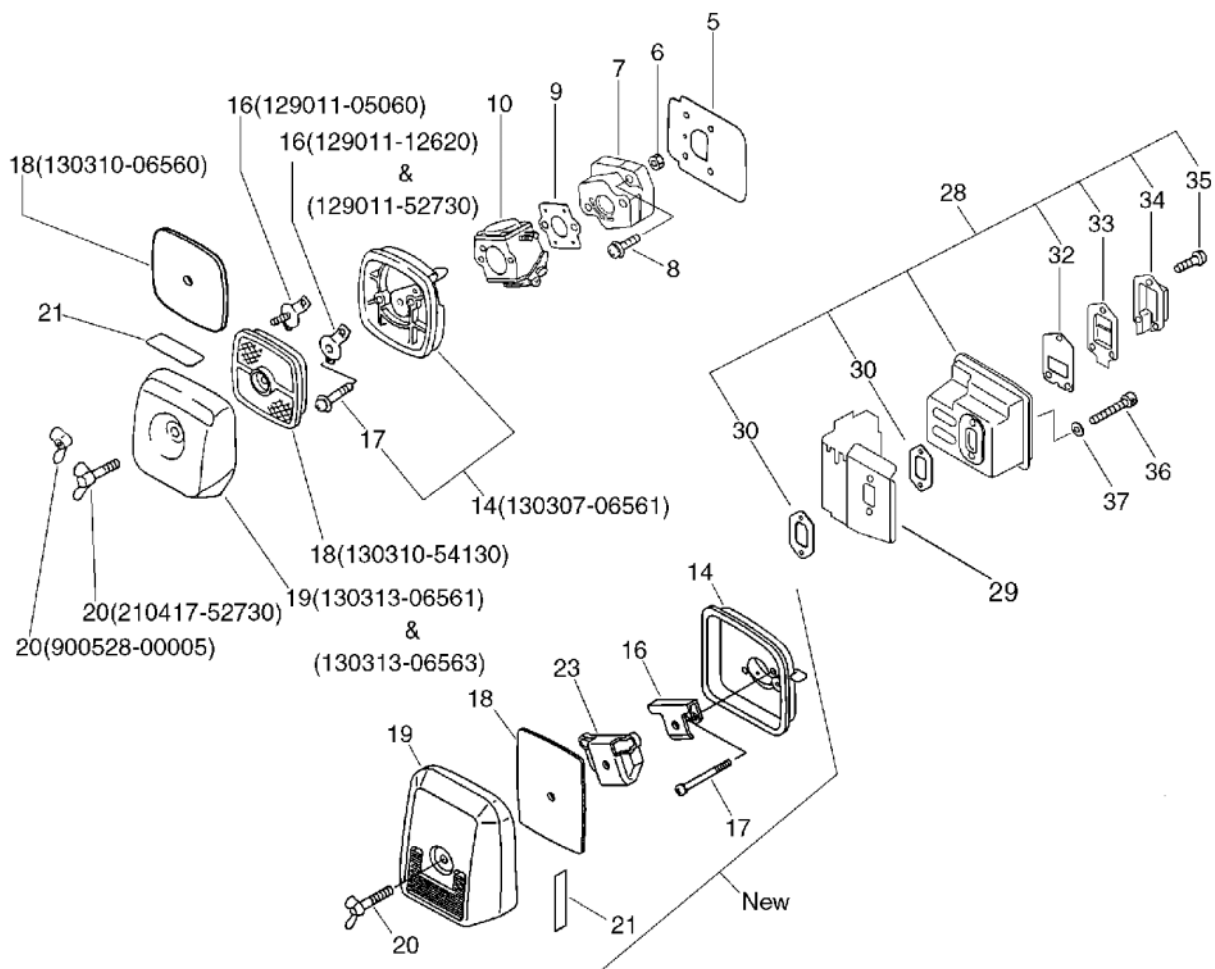
KEY	LV	PART NUMBER	Q'TY	DESCRIPTION	REMARKS	NOTE1	NOTE2
14		130307-06560	1	CASE, AIR CLEANER		Sus. by 130307-06561	
17		900242-05064	2	SCREW 5*64	5*64	Sr/Nr 009000 and before	
14		130307-06561	1	CASE, AIR CLEANER		Sr/Nr 038002 and before	
17	+	900242-05065	2	SCREW 5*65	5*65	Sr/Nr 009001 to 038002	
14		130307-09660	1	CASE ASSY, CLEANER		Sus. by 130307-09662	
14		130307-09662	1	CASE, AIR CLEANER		Sr/Nr 038003 and after	
17		900242-05057	2	SCREW 5*57	5*57	Sr/Nr 038003 and after	
16		129011-05060	1	PLATE		Sr/Nr 009000 and before	
16		129011-12620	1	PLATE, PREVENT		Sr/Nr 009001 to 030799	
16		129011-52730	1	PLATE, PREVENT		Sr/Nr 030800 to 038002	
16		130422-09660	1	PLATE, PREVENT		Sr/Nr 038003 and after	
18		130310-06560	1	FILTER, AIR		Sr/Nr 009000 and before	
18		130310-54130	1	FILTER, AIR		Sr/Nr 009001 to 038002	

3. Air Cleaner, Muffler



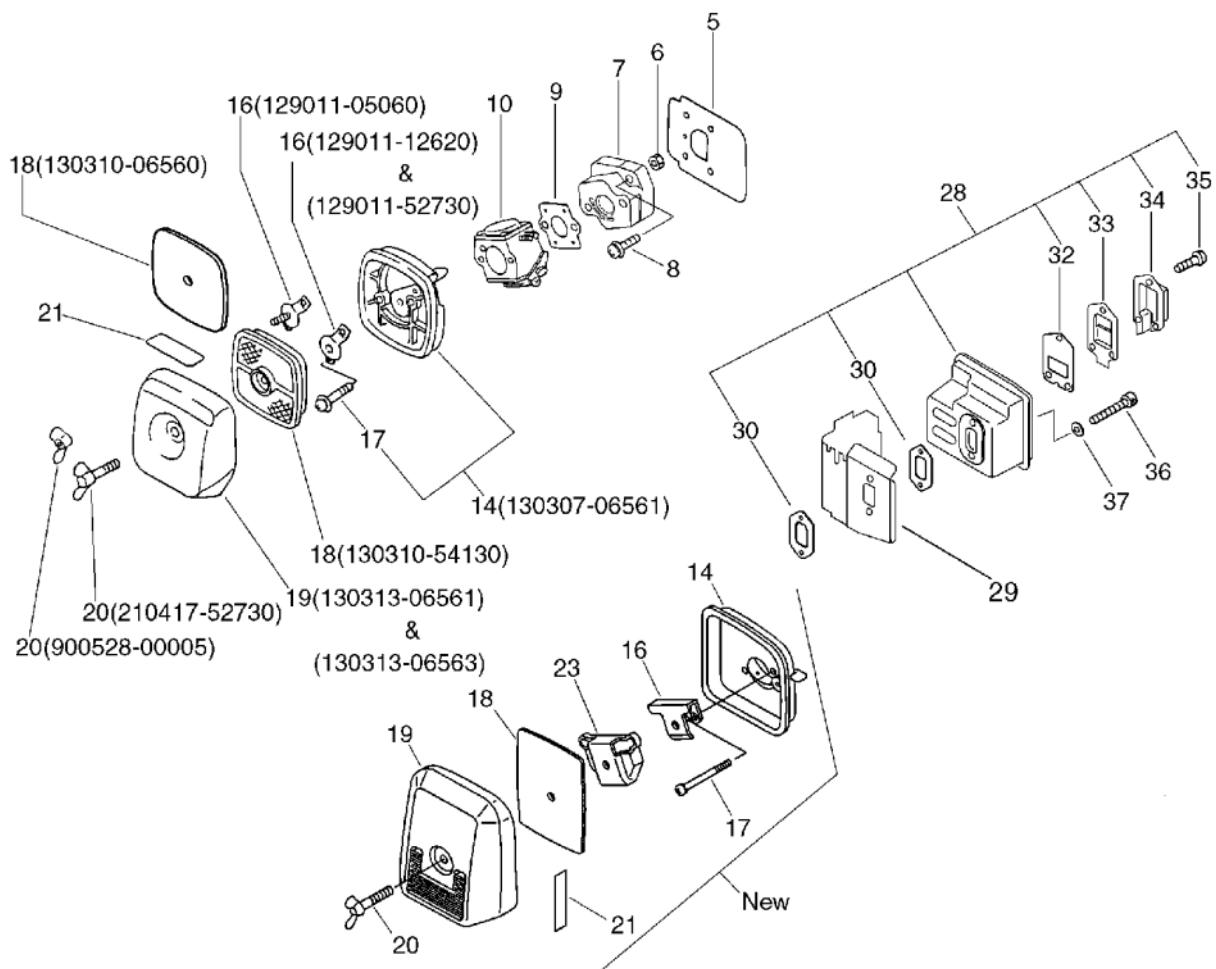
KEY	LV	PART NUMBER	Q'TY	DESCRIPTION	REMARKS	NOTE1	NOTE2
18		130310-51830	1	FILTER, AIR		Sr/Nr 038003 and after	
19		130313-06560	1	COVER, AIR CLEANER		Sus. by 130313-06561	
19		130313-06561	1	COVER, AIR CLEANER		Sr/Nr 030799 and before	
19		130313-06563	1	LID, AIR CLEANER		Sr/Nr 030800 to 038002	
19		130313-09561	1	LID, CLEANER		Sr/Nr 038003 and after	
20		900528-00005	1	NUT	5	Sr/Nr 030799 and before	
20		210417-52730	1	BOLT, WING	5*20	Sr/Nr 030800 to 038002	
20		210417-09560	1	BOLD, WING	5*24	Sr/Nr 038003 and after	
21		890121-06360	1	LABEL, CHOKE		Sus. by 890121-09560	
21		890121-05360	1	LABEL, METERING		Sus. by 890121-09560	
21		890121-09560	1	LABEL, CHOKE			
23		129011-09560	1	PLATE		Sr/Nr 038003 and after	
29		145871-44331	1	COVER, MUFFLER		Sus. by A320-000251	

3. Air Cleaner, Muffler



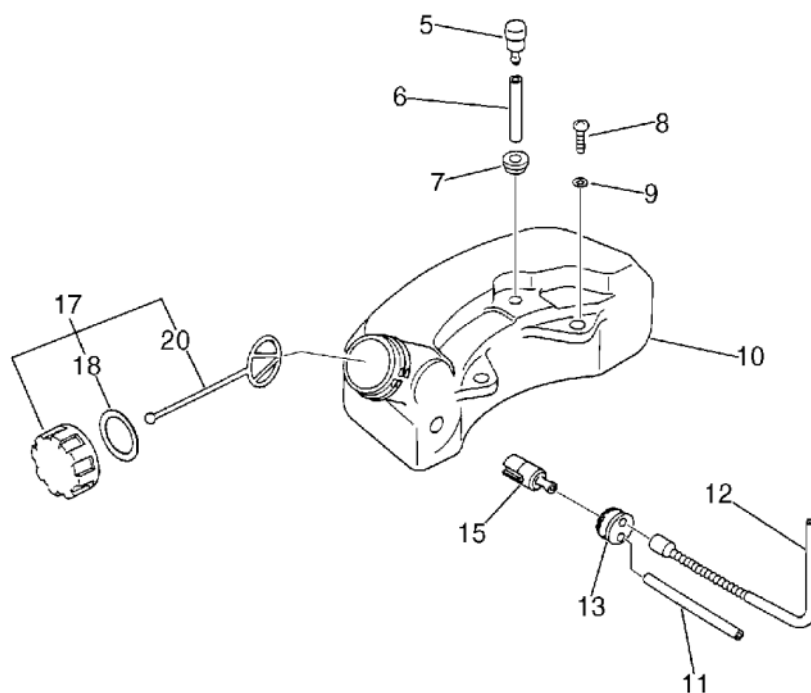
KEY	LV	PART NUMBER	Q'TY	DESCRIPTION	REMARKS	NOTE1	NOTE2
29		145871-52130	1	COVER, MUFFLER		Sus. by A320-000251	
29		A320-000250	1	COVER,MUFFLER		Sus. by A320-000251	
29		A320-000251	1	COVER,MUFFLER		Sr/Nr 35501001 and after	
28		145802-05960	1	MUFFLER ASSY		Sus. by 145802-08960	
28		145802-08960	1	MUFFLER ASSY		Sr/Nr 35502740 and before	
28		P021-008380	1	MUFFLER ASY		Sr/Nr 36001001 and after	
30	+	145510-42031	2	GASKET, MUFFLER		Sus. by V104-000160	
30	+	V104-000160	2	GASKET,EXHAUST			
32	+	145866-42031	1	GASKET, MUFFLER LID		Sr/Nr 35502740 and before,CHINA	
32	+	V104-000003	1	GASKET,EXHAUST		Sr/Nr 36001001 and after	
33	+	145876-42030	1	LID, MUFFLER (B)			
34	+	145863-06960	1	FIXTURE, SCREEN		Sus. by 145863-08960	
34	+	145863-08960	1	GUIDE, EXHAUST			
35	+	900242-04010	3	SCREW 4*10	4*10		
36		900105-05055	2	BOLT, H.S. 5*55	5*55		

3. Air Cleaner, Muffler



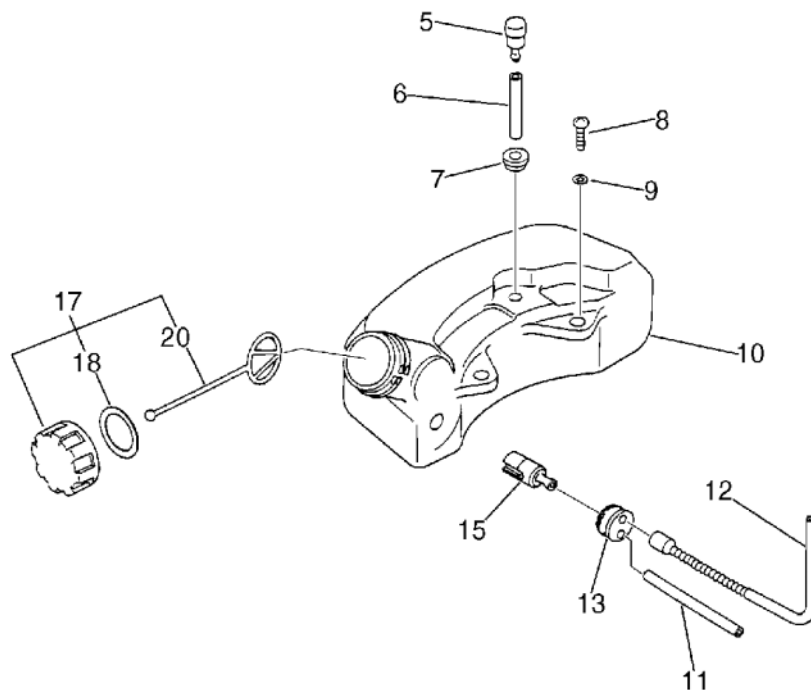
KEY	LV	PART NUMBER	Q'TY	DESCRIPTION	REMARKS	NOTE1	NOTE2
37		900600-00005	2	WASHER 5	5		

4. Fuel Tank



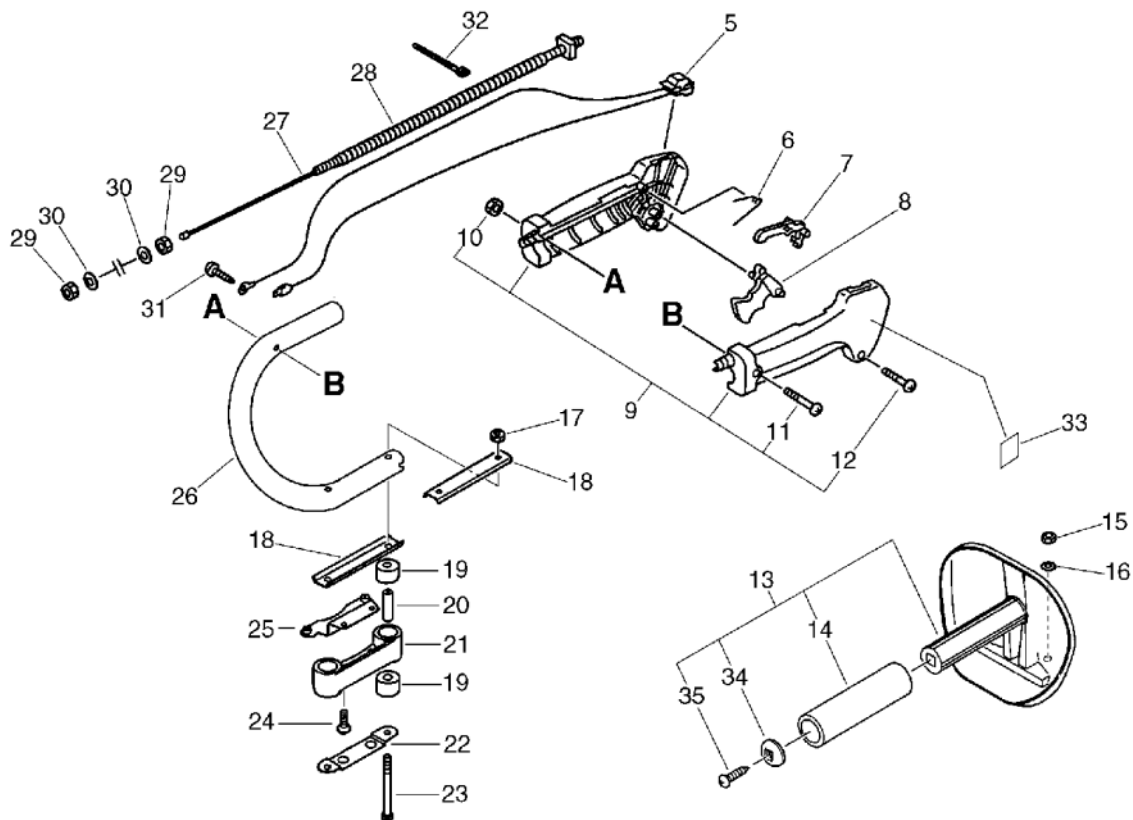
KEY	LV	PART NUMBER	Q'TY	DESCRIPTION	REMARKS	NOTE1	NOTE2
5		131300-40630	1	VALVE, CHECK		Sus. by A356-000030	
5		A356-000030	1	VALVE,CHECK		Sr/Nr 35501000 and before	
5		131300-40630	1	VALVE, CHECK		Sus. by A356-000030	
5		131300-56430	1	VALVE, CHECK		Sus. by A356-000030	
5		A356-000030	1	VALVE,CHECK		Sr/Nr 35501001 and after	
6		132010-21160	1	PIPE, FUEL	3*6*35	Sus. by V471-001180	
6		V471-001180	1	PIPE	3*6*35 NBR		
7		132115-01461	1	GROMMET			
8		900238-05016	2	SCREW 5*16	5*16	Sus. by 900243-05016	
8		900243-05016	2	SCREW 5*16	5*16		
9		900603-00005	2	WASHER 5	5.5*12*0.8	Sus. by 900243-05016	
10		131002-08960	1	TANK, FUEL		Sus. by 131002-08961	
10		131002-08961	1	TANK, FUEL			
11		132717-06460	1	PIPE 3*5*110	3*5*110	Sus. by 132010-06460	
11		132010-06460	1	PIPE 3* 6*110	3*6*110 YL		
12		132010-02160	1	PIPE, FUEL (INNER)	L=190		

4. Fuel Tank



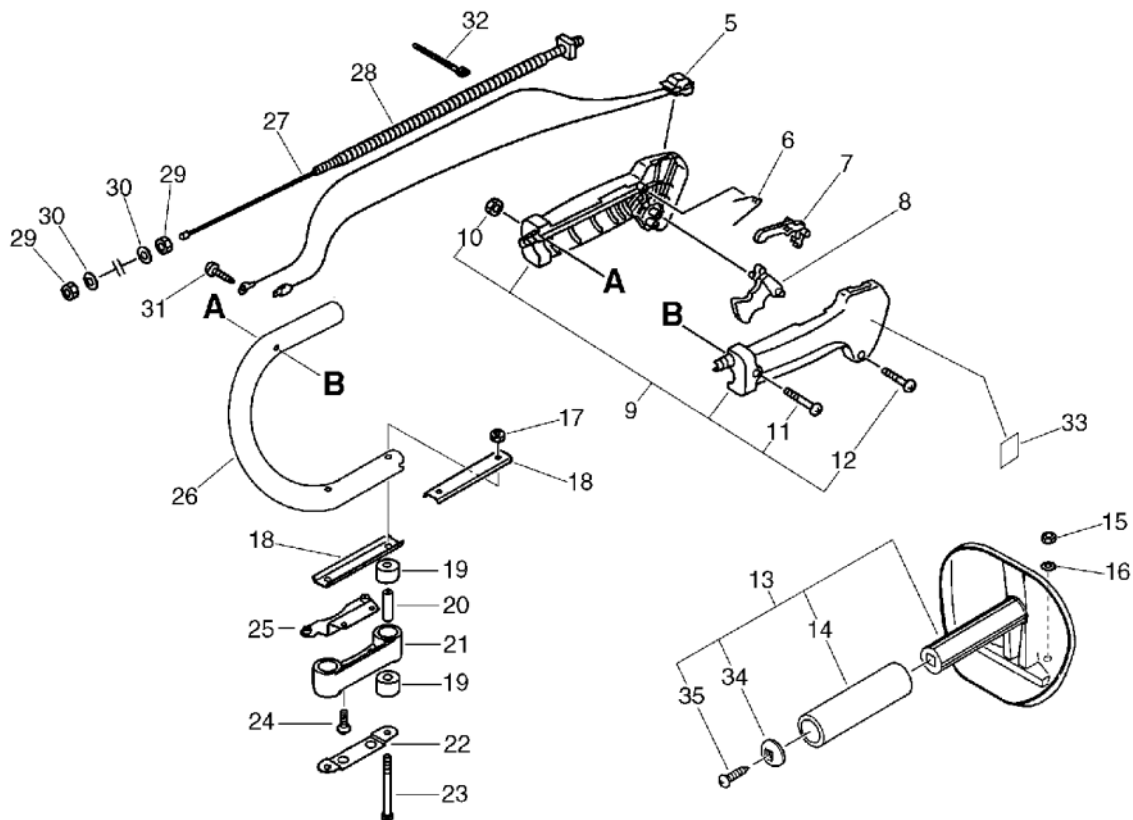
KEY	LV	PART NUMBER	Q'TY	DESCRIPTION	REMARKS	NOTE1	NOTE2
13		132115-44330	1	GROMMET			
15		131205-50430	1	STRAINER, FUEL		Sus. by 131205-07320	
15		131205-07320	1	STRAINER, FUEL			
17		131004-48730	1	CAP ASSY, FUEL TANK		Sus. by 131004-55730	
17		131004-55730	1	CAP ASSY, FUEL TANK		Sus. by 131004-06560	
17		131004-06560	1	CAP ASSY, FUEL TANK		Sus. by 131004-08960	
17		131004-08960	1	CAP ASSY, FUEL			
18	+	131016-40930	1	GASKET, FUEL CAP		Can be used on the 131004-06560 only	
18	+	131016-55830	1	GASKET, FUEL CAP		Can be used on the 131004-08960 only	
20	+	131051-52430	1	CONNECTOR, CAP	80L		

5. Handle



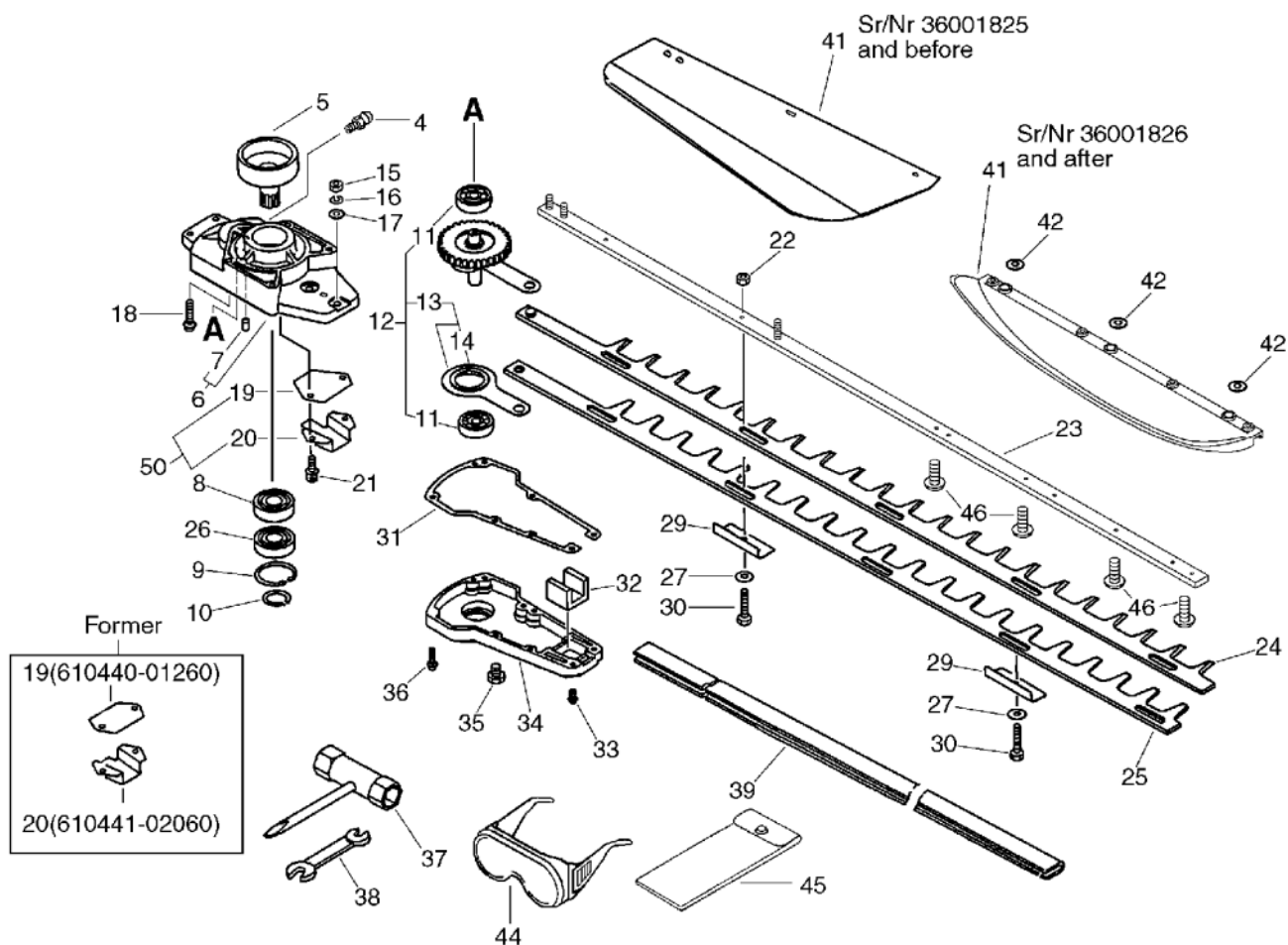
KEY	LV	PART NUMBER	Q'TY	DESCRIPTION	REMARKS	NOTE1	NOTE2
5		163400-05960	1	SWITCH, IGNITION		Sus. by A440-000320	
5		A440-000320	1	SWITCH, ON OFF			
6		178013-35631	1	SPRING, THR. LOCK			
7		178012-05960	1	LOCKOUT, THROTTLE			
8		178010-05960	1	CONTROL, THROTTLE			
9		351102-47530	1	GRIP ASSY, F-HANDLE			
10	+	900500-00005	1	NUT 5	5		
11	+	900220-05030	1	SCREW 5*30	5*30		
12	+	900246-03025	4	SCREW 3*25	3*25		
13		351200-07360	1	HANDLE ASSY		Sus. by 351200-07363	
13		351200-07361	1	HANDLE ASY		Sus. by 351200-07363	
13		351200-07362	1	HANDLE ASY		Sus. by 351200-07363	
13		351200-07363	1	HANDLE ASY			
14	+	351012-07360	1	GRIP, HANDLE	22*32*155L	Sus. by 351012-07361	
14	+	351012-07361	1	GRIP, REAR HANDLE			
34	+	351217-07360	1	SUPPORTER, F. HANDLE		Sus. by 351217-07361	
34	+	351217-07361	1	SUPPORTER, F. HANDLE			
35	+	900253-05014	1	SCREW 5*14	5*14		
15		433022-06460	2	NUT			
16		900603-00006	2	WASHER 6	6.5*13*1		

5. Handle



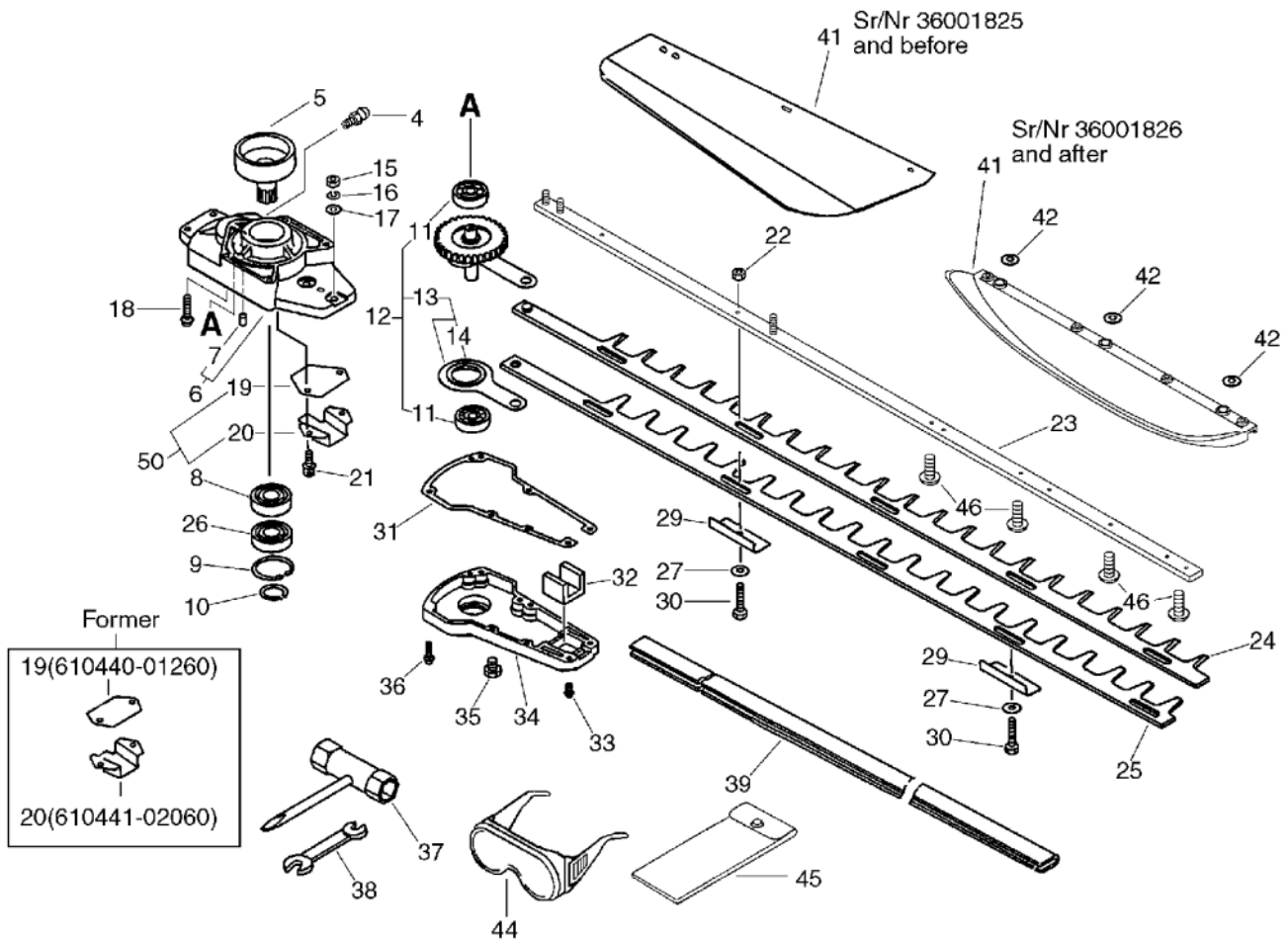
KEY	LV	PART NUMBER	Q'TY	DESCRIPTION	REMARKS	NOTE1	NOTE2
17		900560-00005	2	NUT, LOCK 5	5		
18		351243-01260	2	BRACKET			
19		351228-01260	4	CUSHION			
20		351241-01260	2	SPASER			
21		351217-05960	1	SUPPORTER, F.HANDLE			
22		351242-01261	1	PLATE			
23		900105-05060	2	BOLT, H.S. 5*60	5*60		
24		900242-05016	2	SCREW 5*16	5*16		Sus. by 900238-05016
24		900238-05016	2	SCREW 5*16	5*16		
25		610438-01260	1	PLATE			
26		351205-08960	1	HANDLE, REAR			Sus. by 351205-08961
26		351205-08961	1	HANDLE, REAR			
27		178001-05960	1	WIRE, THROTTLE			
28		178127-05960	1	TUBE	7*330		
29		900502-00006	2	NUT 6 (3N)	3N6		
30		900600-00006	2	WASHER 6	6		
31		900238-05010	1	SCREW 5*10	5*10		
32		178121-10050	1	BAND	CV-150		
33		890157-06560	1	LABEL, SWITCH			Sus. by 890157-39130
33		890157-39130	1	LABEL, SWITCH			Disuse

6. Gear Case, Cutter, Tools



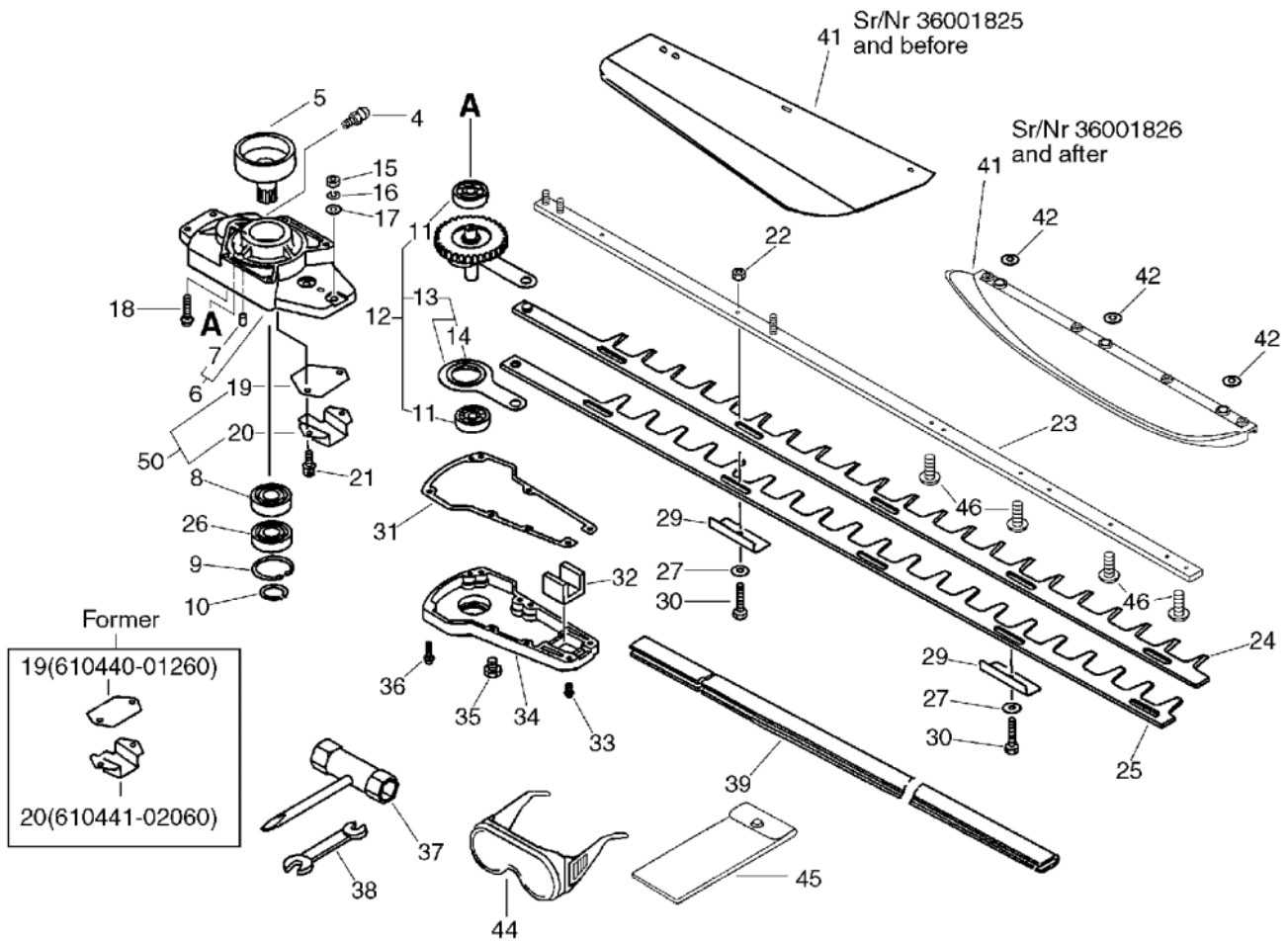
KEY	LV	PART NUMBER	Q'TY	DESCRIPTION	REMARKS	NOTE1	NOTE2
5		175003-01261	1	DRUM W/CLIP, CLUTCH		Sr/Nr 037100 and before, 35001001 to 35501000	
10	+	900701-00016	1	CIRCLIP 16	CS-16	Sr/Nr 037100 and before, 35001001 to 35501000	
5		175005-08960	1	DRUM, CLUTCH		Sr/Nr 037101 to 35001000	
5		175005-01260	1	DRUM, CLUTCH		Sr/Nr 35501001 and after	
10		900701-00019	1	CIRCLIP 19	CS-19	Sr/Nr 037101 to 35001000, 35501001 and after	
6		610410-05960	1	CASE, GEAR		Sr/Nr 032819 and before	
6		610420-08560	1	CASE, GEAR		Sus. by 610406-08560	
50		610406-08560	1	CASE, GEAR		Sr/Nr 032820 to 037100, 35001001 to 35501000	
6		610407-08561	1	CASE, GEAR		Sus. by 610407-08562	

6. Gear Case, Cutter, Tools



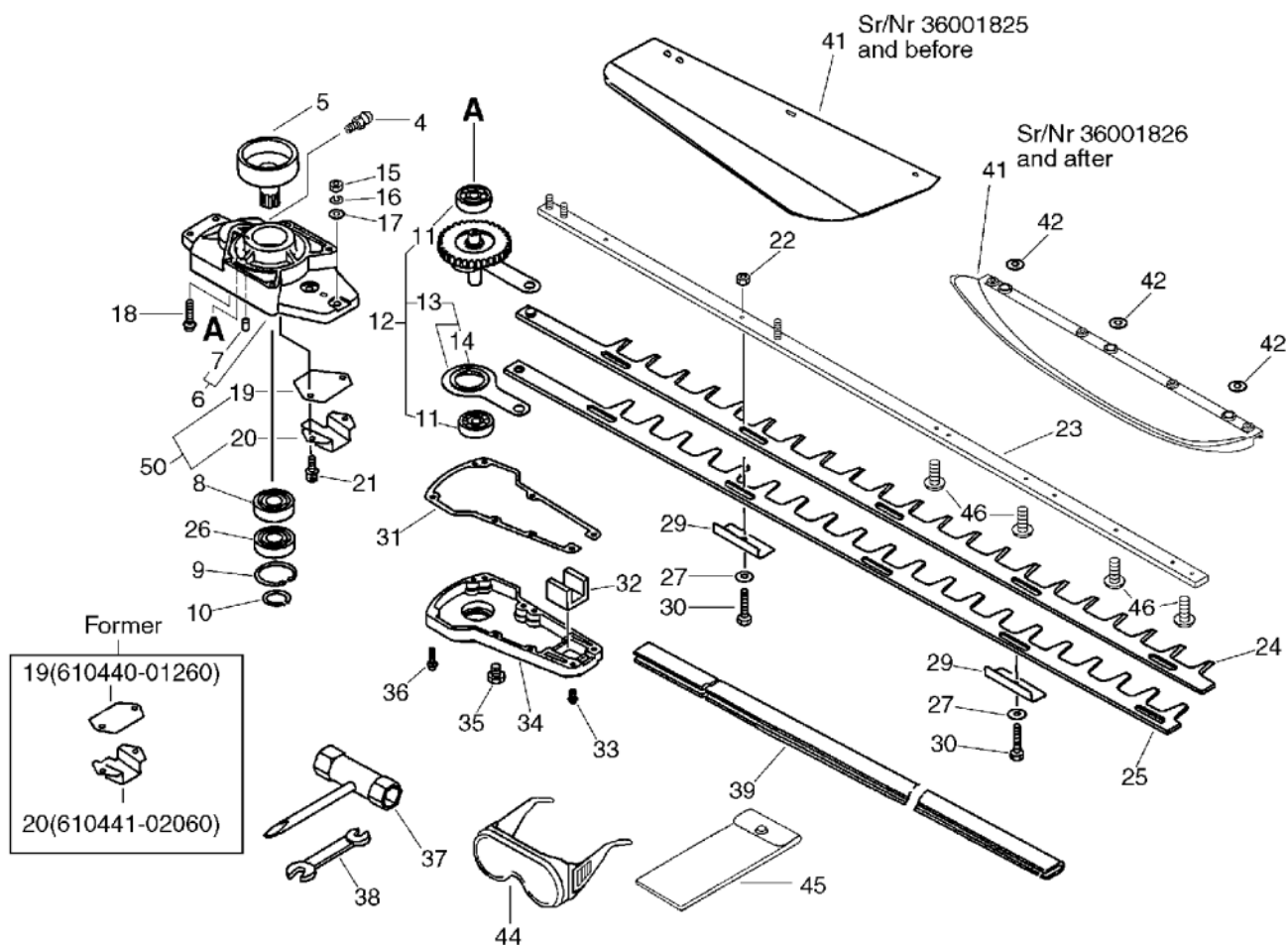
KEY	LV	PART NUMBER	Q'TY	DESCRIPTION	REMARKS	NOTE1	NOTE2
6		610407-08562	1	CASE, GEAR		Sr/Nr 035559 to 037100, 35501001 and after	
4	+	880110-10860	1	NIPPLE, GREASE			
7	+	100215-03930	2	PIN, DOWEL			
19	+	610440-08960	1	GUIDE,CUTTER		Sr/Nr 035559 to 35501000	
20	+	610441-08960	1	GUIDE,CUUTER		Sr/Nr 035559 to 35501000	
6		610407-08961	1	CASE, GEAR		Sr/Nr 037101 to 35501000	
4	+	880110-10860	1	NIPPLE, GREASE			
7	+	100215-03930	2	PIN, DOWEL			
8		900802-06003	1	BEARING, BALL 6003	6003DDU(LLU)	Sr/Nr 037100 and before, 35001001 to 35501000	
8		900857-06904	1	BEARING, BALL 6904	6904DDU	Sr/Nr 037101 and after	
9		900702-00035	1	CIRCLIP 35	CR-35	Sr/Nr 037100 and before, 35001001 to 35501000	
9		900702-00037	1	CIRCLIP 37	CR-37	Sr/Nr 037101 and after	

6. Gear Case, Cutter, Tools



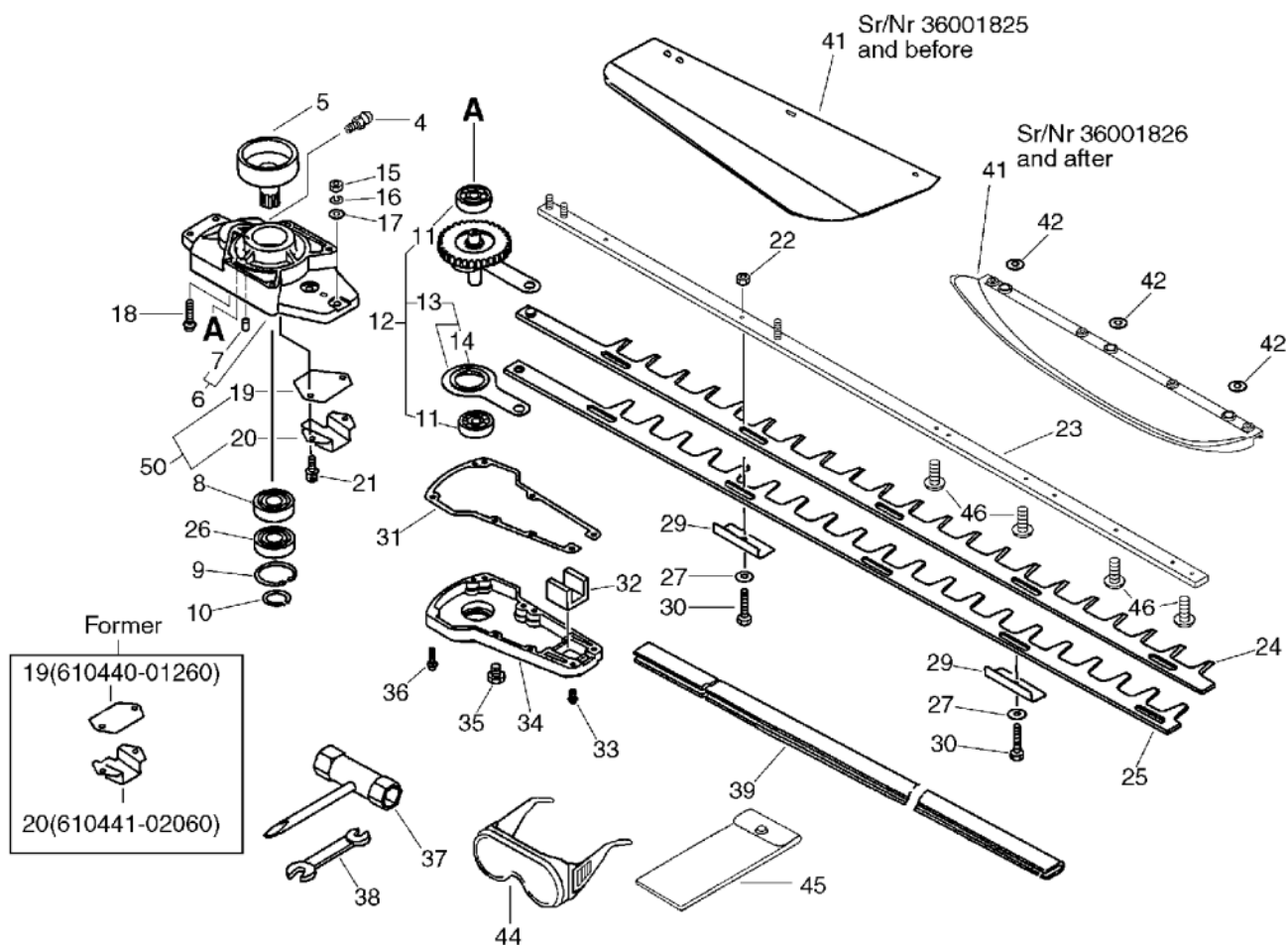
KEY	LV	PART NUMBER	Q'TY	DESCRIPTION	REMARKS	NOTE1	NOTE2
12		610302-01260	1	GEAR ASS'Y		Sr/Nr 035558 and before	
12		610302-09660	1	GEAR ASY		Sus. by 610302-09661	
12		610302-09661	1	GEAR ASY		Sr/Nr 035559 to 037100, 35501001 and after	
12		610302-08961	1	GEAR ASY		Sr/Nr 037101 and after	
11	+	900810-06200	2	BEARING, BALL 6200	6200		
13	+	610307-01260	2	CON-ROD ASS'Y		Sus. by 610307-01261	
13	+	610307-01261	2	ROD, CONNECTING			
14	++	610327-01260	2	BEARING, NEEDLE		Sus. by 610327-01261	
14	++	610327-01261	2	BEARING, NEEDLE			
15		900500-00006	2	NUT 6	6		
16		900605-00006	2	WASHER, SPRING 6	6		
17		900600-00006	2	WASHER 6	6		
18		900162-05030	4	BOLT, H.S. 5*30	5*30 W,SW	Sus. by 900162-05028	
19		610440-01260	1	GUIDE		Sr/Nr 035558 and before	
19		610440-08960	1	GUIDE,CUTTER		Sr/Nr 35501001 and after	

6. Gear Case, Cutter, Tools



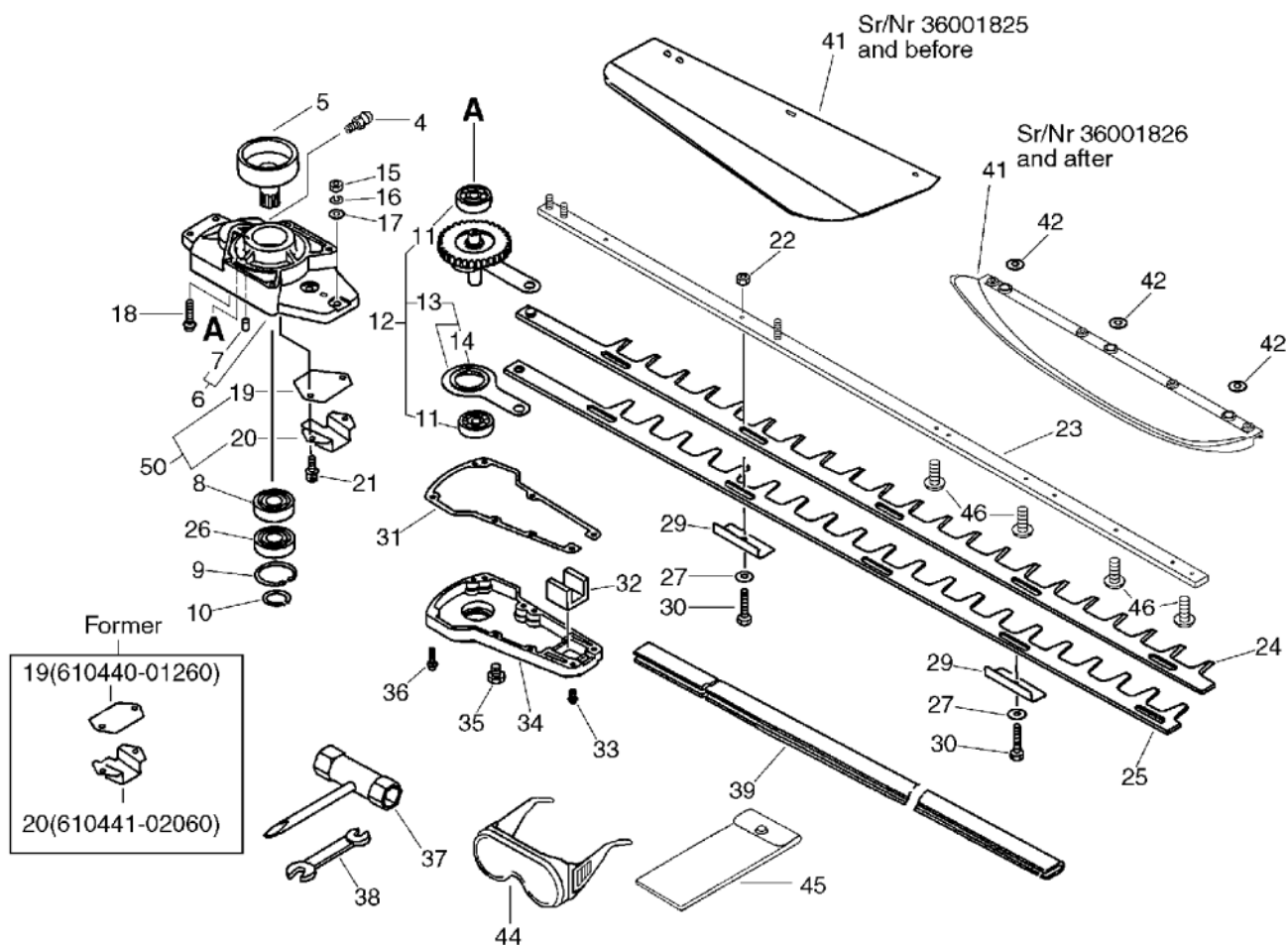
KEY	LV	PART NUMBER	Q'TY	DESCRIPTION	REMARKS	NOTE1	NOTE2
20		610441-02060	1	GUIDE		Sr/Nr 035558 and before	
20		610441-08960	1	GUIDE,CUUTER		Sr/Nr 35501001 and after	
21		900162-05014	2	BOLT, H.S. 5*14	5*14 W,SW		
22		433022-06460	4	NUT			
23		699105-02061	1	BAR, FRAME		Sus. by X425-000200	
23		X425-000100	1	SUPPORT,CUTTER		Sus. by X425-000200	
23		X425-000200	1	SUPPORT,CUTTER	L=804 T=5.0		
24		697010-02060	1	CUTTER (UPPER)		Sus. by 697010-02960	
24		697010-02960	1	CUTTER		Sr/Nr 035558 and before	
24		697010-09660	1	CUTTER		Sus. by X411-000320	
24		X411-000080	1	CUTTER		Sus. by X411-000320	
24		X411-000320	1	CUTTER		Sr/Nr 035559 and after	
25		697011-02060	1	CUTTER (LOWER)		Sus. by 697011-02960	
25		697011-02960	1	CUTTER		Sr/Nr 035558 and before	

6. Gear Case, Cutter, Tools



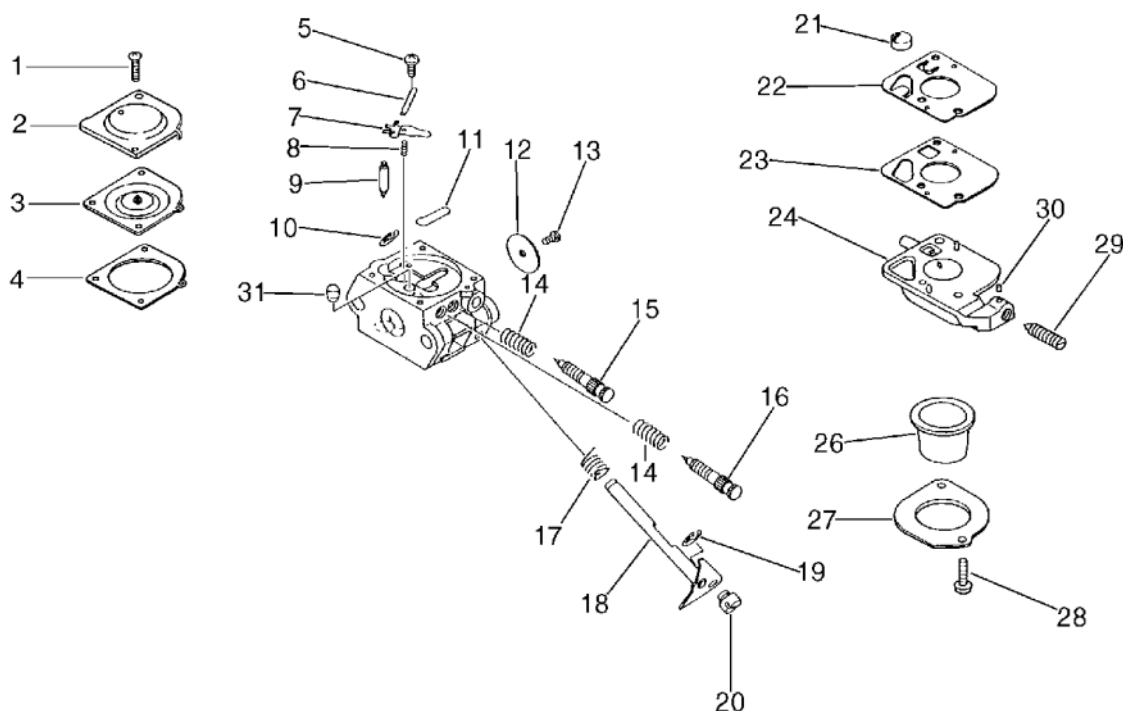
KEY	LV	PART NUMBER	Q'TY	DESCRIPTION	REMARKS	NOTE1	NOTE2
25		697011-09660	1	CUTTER		Sus. by X411-000330	
25		X411-000090	1	CUTTER		Sus. by X411-000330	
25		X411-000330	1	CUTTER		Sr/Nr 035559 and after	
26		900802-06003	1	BEARING, BALL 6003	6003DDU(LLU)	Sr/Nr 037100 and before	
26		900855-06904	1	BEARING, BALL 6904	6904	Sr/Nr 037101 to 35501000	
26		900802-06003	2	BEARING, BALL 6003	6003DDU(LLU)	Sr/Nr 35501001 and after	
27		699118-01261	5	WASHER			
28		699115-02062	4	BOLT			
29		699213-02062	5	INSULATOR		Sus. by 699213-02063	
29		699213-02063	5	INSULATOR			
30		351027-02060	1	BOLT			
31		610414-01260	1	GASKET, GEAR HOUSING			
32		610426-01260	1	SEAL			
33		900242-04014	4	SCREW 4*14	4*14		
34		610411-05960	1	LID,GEARE CASE		Sr/Nr 032819 and before	
34		610431-08960	1	LID, GEAR CASE		Sus. by 610431-08961	

6. Gear Case, Cutter, Tools



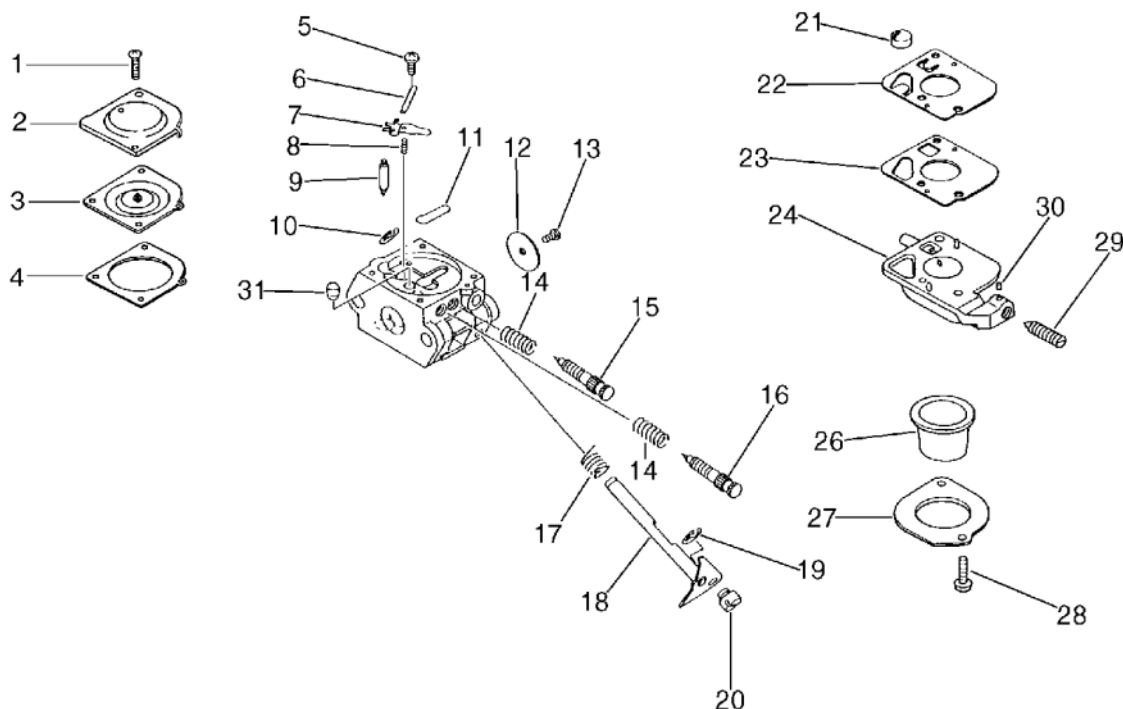
KEY	LV	PART NUMBER	Q'TY	DESCRIPTION	REMARKS	NOTE1	NOTE2
34		610431-08961	1	LID, GEAR CASE		Sr/Nr 032820 and after	
35		610434-50030	1	BOLT 8*6		Sr/Nr 032819 and before	
36		900242-04022	2	SCREW 4*22	4*22		
37		895410-00430	1	WRENCH, W/S. DRIVER			
38		895112-00330	1	SPANNER 8*10			
39		898523-02961	1	COVER, CUTTER			
41		699511-06560	1	GUIDE, CORRECTION		Sr/Nr 36001825 and before	
41		C571-000020	1	GUIDE, COLLECTION		Sr/Nr 36001826 and after, Sus. by C571-000010	
42		900603-00006	3	WASHER 6	6.5*13*1		
44		X690-000020	1	GOGGLE		CHINA	
45		898510-39130	1	BAG, TOOL		Sr/Nr 35501001 and after	
46		900209-05010	4	SCREW, 5*10	5*10	Sr/Nr 36001826 and after	

7. Carburetor(Sr/Nr 009000 and before)



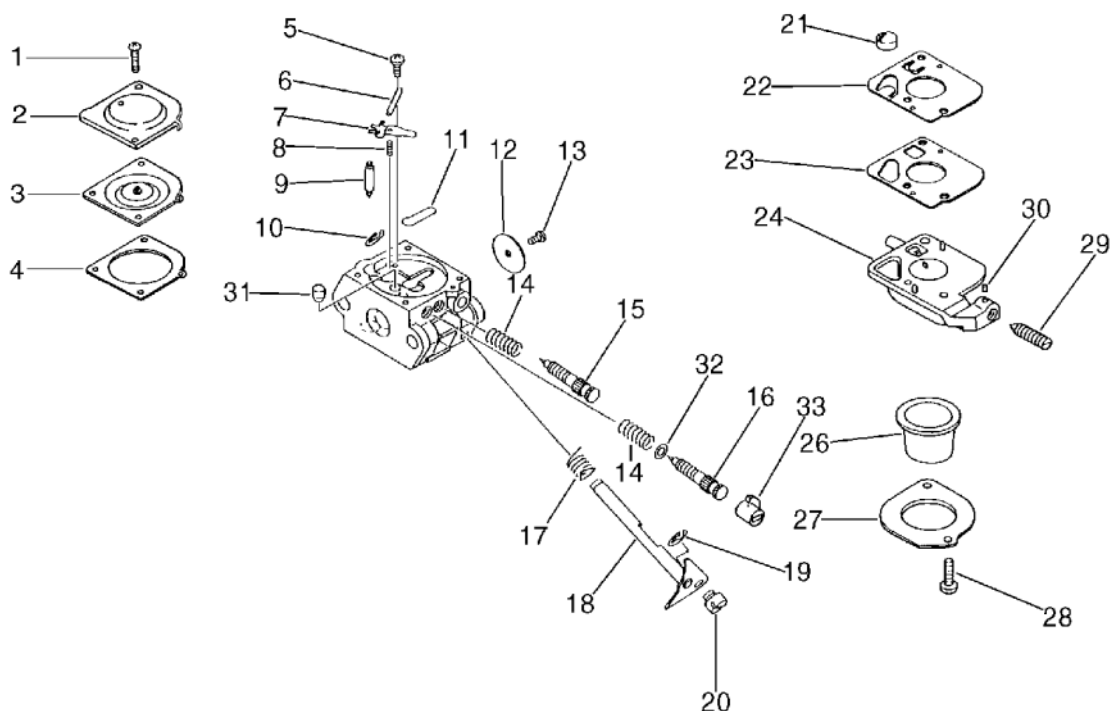
KEY	LV	PART NUMBER	Q'TY	DESCRIPTION	REMARKS	NOTE1	NOTE2
		125200-08960	1	CARBURETOR ASSY	C1U-K31	Sus. by 125200-08961	
		125200-08961	1	CARBURETOR ASSY	C1U-K31	Sr/Nr 009000 and before	
1	+	125344-52130	2	SCREW			
2	+	125342-52130	1	COVER, DIAPHRAGM		Sus. by 125342-13210	
2	+	125342-13210	1	COVER, DIAPHRAGM			
3	+	125341-42030	1	DIAPHRAGM			
4	+	125340-11520	1	GASKET, DIAPHRAGM			
5	+	125339-42030	1	SCREW			
6	+	125338-13930	1	PIN, METERING ARM			
7	+	125323-42030	1	LEVER, METERING			
8	+	125322-11520	1	SPRING, COIL			
9	+	125337-06960	1	VALVE, INLET NEEDLE			
10	+	125327-15130	1	CLIP			
11	+	125345-15130	1	PLUG, WELCH			
12	+	125316-07260	1	VALVE, THROTTLE			
13	+	125314-13930	1	SCREW	3*4		
14	+	125319-42030	2	SPRING, COIL			
15	+	125318-08960	1	NEEDLE, IDLE			
16	+	125320-07260	1	NEEDLE, HIGH SPEED			
17	+	125313-42030	1	SPRING, THRT. RETURN			
18	+	125317-42030	1	SHAFT, THROTTLE			
19	+	125327-13930	1	CLIP			
20	+	125372-42030	1	SWIVEL			

7. Carburetor(Sr/Nr 009000 and before)



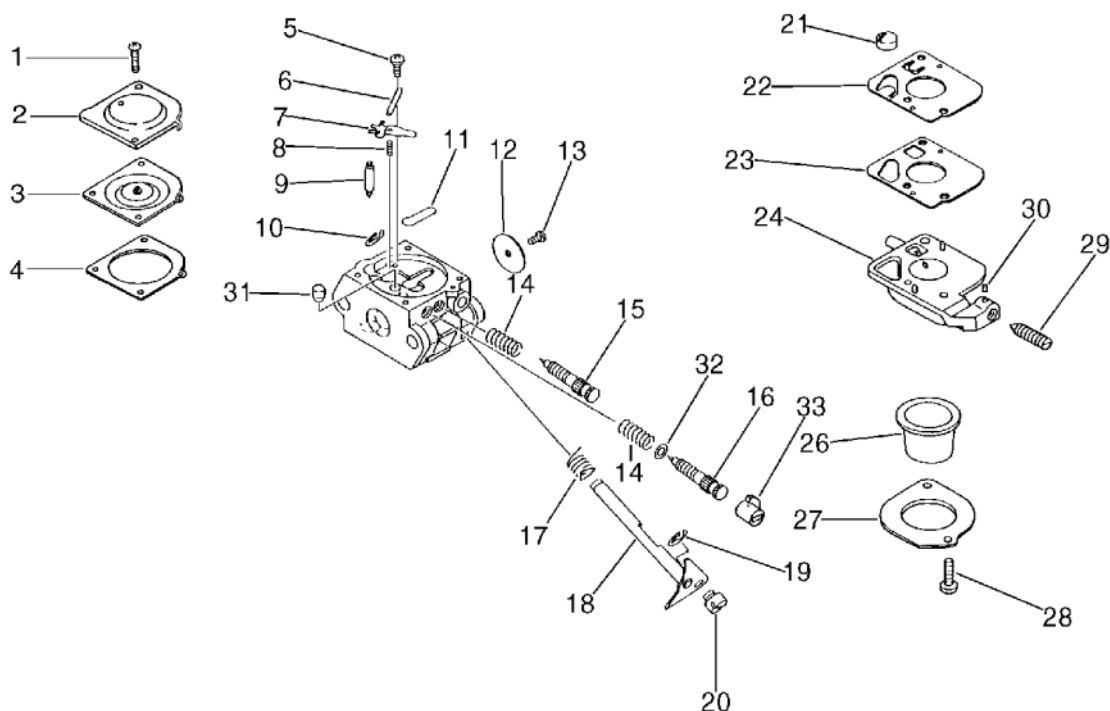
KEY	LV	PART NUMBER	Q'TY	DESCRIPTION	REMARKS	NOTE1	NOTE2
21	+	125326-42030	1	STRAINER			
22	+	125312-42030	1	DIAPHRAGM, FUEL PUMP			
23	+	125325-42030	1	GASKET, FUEL PUMP			
24	+	125324-11610	1	COVER, PUMP			
26	+	125381-46730	1	PUMP, PRIMING			
27	+	125363-11610	1	RING			
28	+	125310-11610	2	SCREW			
29	+	125334-13930	1	SCREW, IDLE ADJUST			
30	+	125378-13930	1	PIECE, FRICTION			
31	+	125345-06960	1	PLUG, WELCH			

8. Carburetor(Sr/Nr 009001 to 031973)



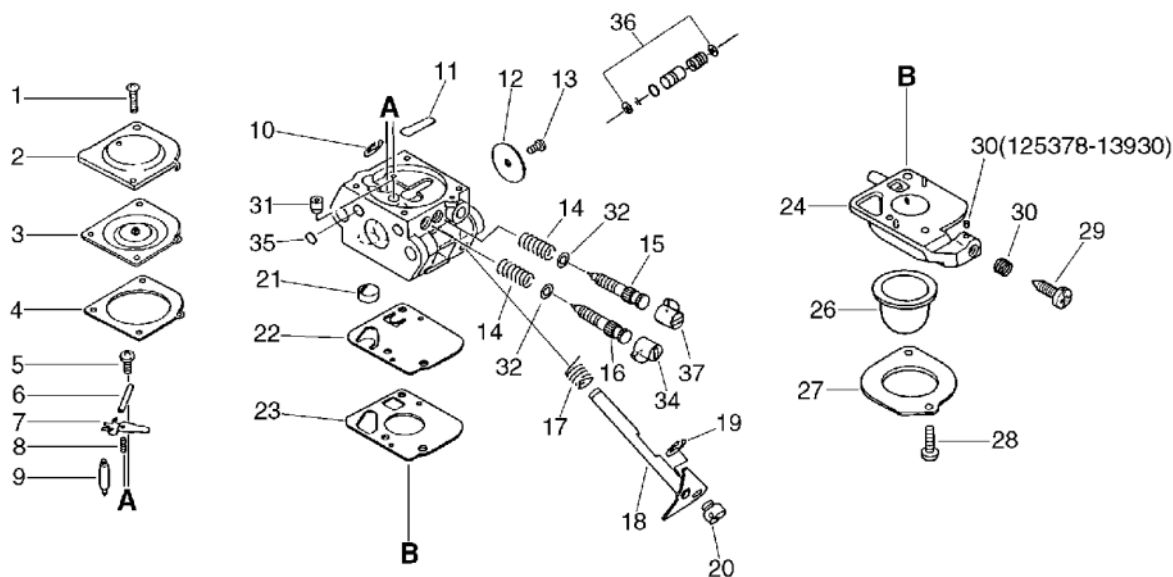
KEY	LV	PART NUMBER	Q'TY	DESCRIPTION	REMARKS	NOTE1	NOTE2
		125200-08962	1	CARBURETOR ASSY	C1U-K31B	Sr/Nr 009001 to 031973	
1	+	125344-52130	2	SCREW			
2	+	125342-52130	1	COVER, DIAPHRAGM		Sus. by 125342-13210	
2	+	125342-13210	1	COVER, DIAPHRAGM			
3	+	125341-42030	1	DIAPHRAGM			
4	+	125340-51030	1	GASKET, DIAPHRAGM			
5	+	125339-42030	1	SCREW			
6	+	125338-13930	1	PIN, METERING ARM			
7	+	125323-42030	1	LEVER, METERING			
8	+	125322-42030	1	SPRING, COIL			
9	+	125337-06960	1	VALVE, INLET NEEDLE			
10	+	125327-15130	1	CLIP			
11	+	125345-15130	1	PLUG, WELCH			
12	+	125316-42030	1	VALVE, THROTTLE			
13	+	125314-13930	1	SCREW	3*4		
14	+	125319-42030	2	SPRING, COIL			
15	+	125318-42030	1	NEEDLE, IDLE			
16	+	125320-07760	1	NEEDLE, HIGH SPEED			
17	+	125313-42030	1	SPRING, THRT. RETURN			
18	+	125317-42030	1	SHAFT, THROTTLE			
19	+	125327-13930	1	CLIP			
20	+	125372-42030	1	SWIVEL			
21	+	125326-42030	1	STRAINER			
22	+	125312-42030	1	DIAPHRAGM, FUEL PUMP			

8. Carburetor(Sr/Nr 009001 to 031973)



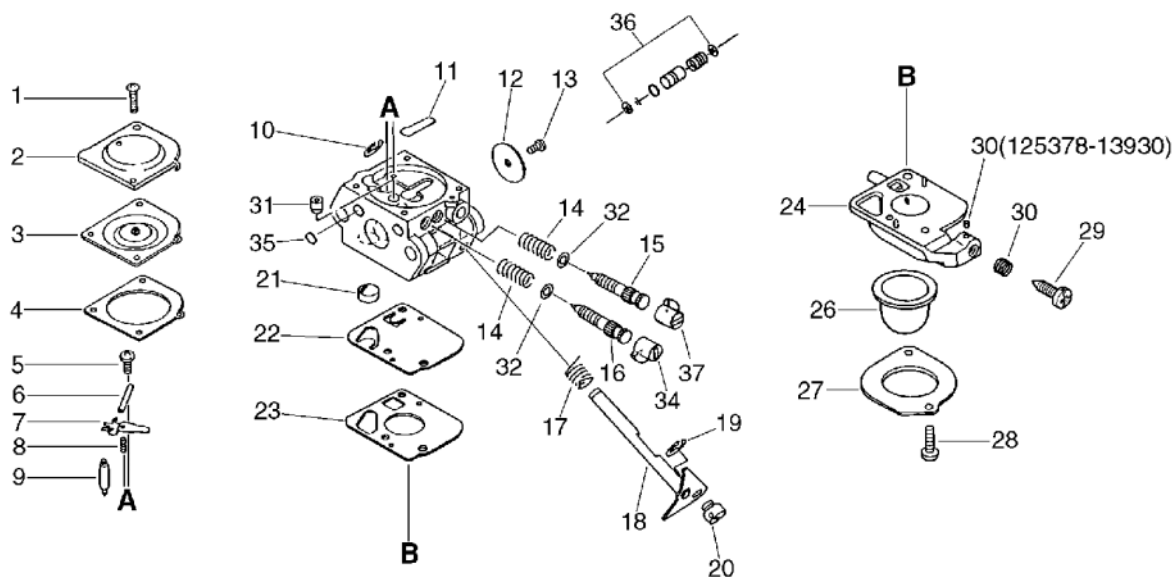
KEY	LV	PART NUMBER	Q'TY	DESCRIPTION	REMARKS	NOTE1	NOTE2
23	+	125325-42030	1	GASKET, FUEL PUMP			
24	+	125324-11610	1	COVER, PUMP			
26	+	125381-46730	1	PUMP, PRIMING			
27	+	125363-11610	1	RING			
28	+	125310-11610	2	SCREW			
29	+	125334-13930	1	SCREW, IDLE ADJUST			
30	+	125378-13930	1	PIECE, FRICTION			
31	+	125376-07760	1	NOZZLE, CHECK VALVE			
32	+	125353-07760	1	WASHER			
33	+	125329-08960	1	LIMITER, MIXTURE			

9. Carburetor(Sr/Nr 031974 and after,CHINA)



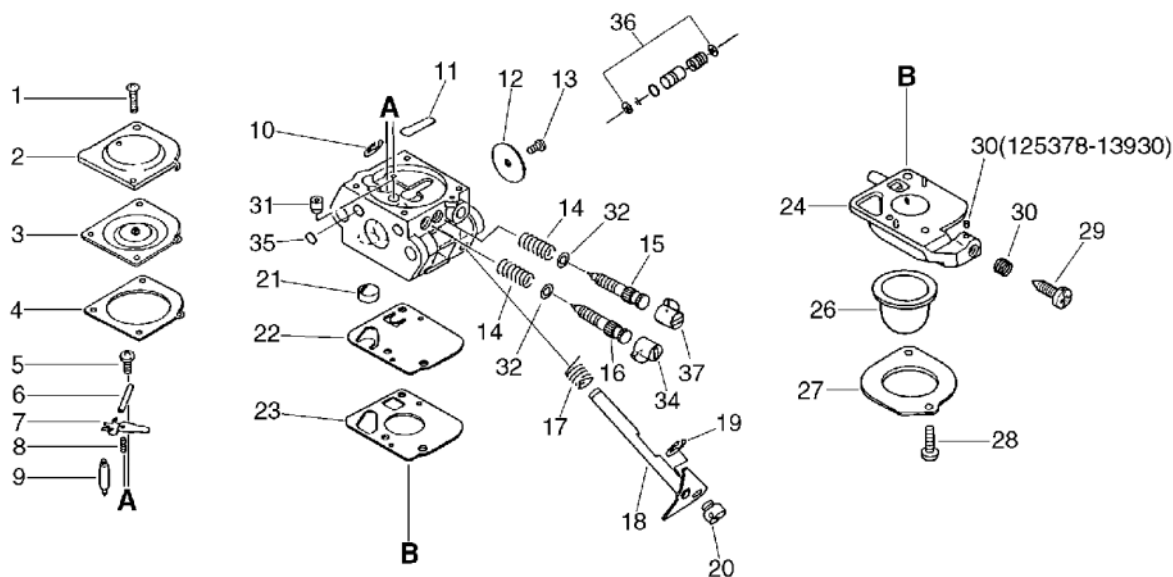
KEY	LV	PART NUMBER	Q'TY	DESCRIPTION	REMARKS	NOTE1	NOTE2
		125200-08460	1	CARBURETOR ASSY	C1U-K45	Sus. by 125200-05964	
		125200-05961	1	CARBURETOR C1U-K51	C1U-K51	Sus. by 125200-05964	
		125200-05962	1	CARBURETOR	C1U-K51	Sus. by 125200-05964	
		125200-05963	1	CARBURETOR C1U-K51	C1U-K51	Sus. by 125200-05964	
		125200-05964	1	CARBURETOR	C1U-K51	Sr/Nr 001305 and after	
1	+	125344-52130	2	SCREW			
2	+	125342-13210	1	COVER, DIAPHRAGM		Sus. by 125342-52130	
2	+	125342-52130	1	COVER, DIAPHRAGM			
3	+	125341-42030	1	DIAPHRAGM		Sr/Nr 031974 to 034130	
3	+	125341-49030	1	DIAPHRAGM		Sr/Nr 034131 and after,CHINA	
4	+	125340-51030	1	GASKET, DIAPHRAGM			
5	+	125339-42030	1	SCREW			
6	+	125338-13930	1	PIN, METERING ARM			
7	+	125323-42030	1	LEVER, METERING			
8	+	125322-42030	1	SPRING, COIL			
9	+	125337-06960	1	VALVE, INLET NEEDLE			
10	+	125327-15130	1	CLIP			

9. Carburetor(Sr/Nr 031974 and after,CHINA)



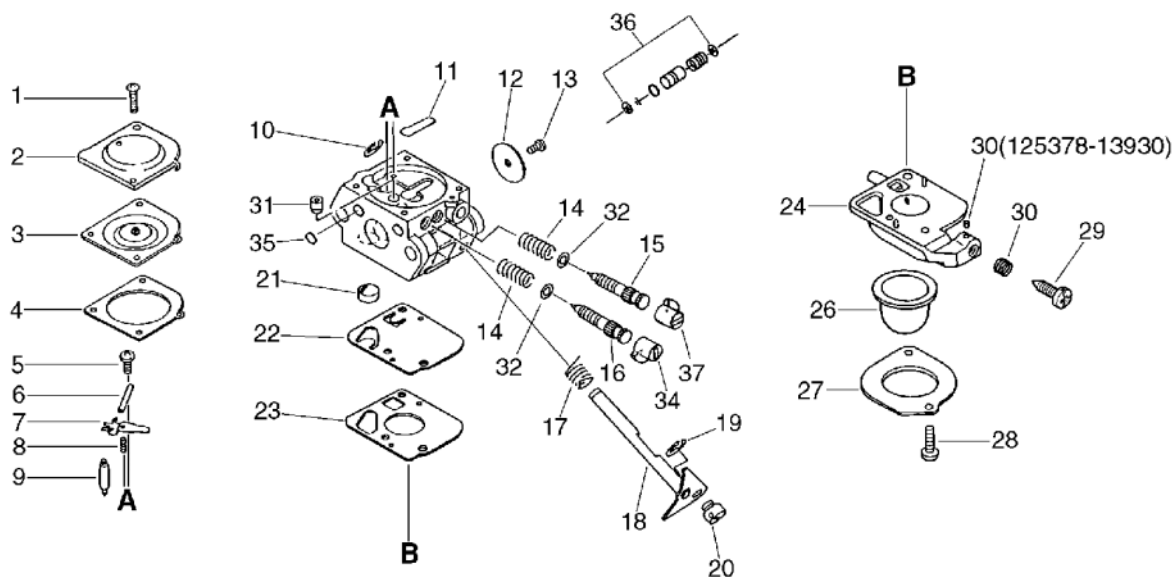
KEY	LV	PART NUMBER	Q'TY	DESCRIPTION	REMARKS	NOTE1	NOTE2
11	+	125345-15130	1	PLUG, WELCH			
12	+	125316-49030	1	VALVE, THROTTLE			
13	+	125314-13930	1	SCREW	3*4		
14	+	125319-42030	2	SPRING, COIL		Sr/Nr 031974 to 034130	
15	+	125318-07360	1	NEEDLE, IDLE		Sr/Nr 031974 to 034130	
15	+	125318-13120	1	SCREW, IDLE NEEDLE		Sr/Nr 034131 and after,CHINA	
16	+	125320-07360	1	NEEDLE, HIGH SPEED		Sr/Nr 031974 to 034130	
16	+	125320-13310	1	NEEDLE, HIGH SPEED		Sr/Nr 034131 and after,CHINA	
17	+	125313-42030	1	SPRING, THRT. RETURN			
18	+	125317-49030	1	SHAFT, THROTTLE		Sr/Nr 031974 to 034130	
18	+	125317-13310	1	SHAFT, THROTTLE		Sr/Nr 034131 and after,CHINA	
19	+	125327-13930	1	CLIP			
20	+	125372-42030	1	SWIVEL			
21	+	125326-42030	1	STRAINER			

9. Carburetor(Sr/Nr 031974 and after,CHINA)



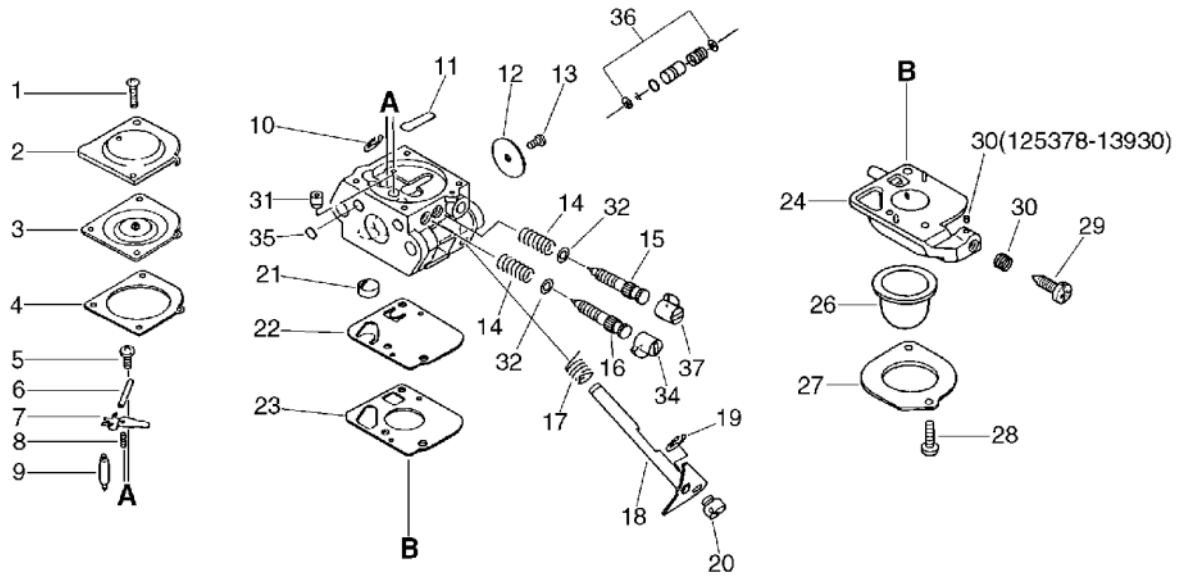
KEY	LV	PART NUMBER	Q'TY	DESCRIPTION	REMARKS	NOTE1	NOTE2
22	+	125312-49030	1	DIAPHRAGM, FUEL PUMP		Can be used on the 125200-08460 only	
22	+	125312-12820	1	DIAPHRAGM, FUEL PUMP		Can be used on the 125200-05961,05962,05963	
23	+	125325-42030	1	GASKET, FUEL PUMP		Sus. by 125325-13310	
23	+	125325-13310	1	GASKET, PUMP			
24	+	125324-11610	1	COVER, PUMP		Sus. by P005-000590	
24	+	125383-13310	1	BASE, PRIMER		Sus. by P005-000590	
24	+	P005-000590	1	BASE,ASY PRIMER			
26	+	125381-46730	1	PUMP, PRIMING		Sus. by 125381-08660	
26	+	125381-08660	1	PUMP, PRIMING			
27	+	125363-11610	1	RING			
28	+	125310-11610	2	SCREW			
29	+	125334-13930	1	SCREW, IDLE ADJUST		Sr/Nr 035658 and before	
29	+	125334-06960	1	SCREW,THROTTLEADJUST		Sr/Nr 035659 and after,CHINA	

9. Carburetor(Sr/Nr 031974 and after,CHINA)



KEY	LV	PART NUMBER	Q'TY	DESCRIPTION	REMARKS	NOTE1	NOTE2
30	+	125378-13930	1	PIECE, FRICTION		Sr/Nr 035658 and before	
30	+	125333-06960	1	SPRING, IDLE ADJUSTER		Sr/Nr 035659 and after, CHINA	
31	+	125376-49030	1	NOZZLE, CHECK VALVE		Can be used on the 125200-08460 only	
31	+	125376-13120	1	NOZZLE, CHECK VALVE		Can be used on the 125200-05961, 05962, 05963	
32	+	125353-20560	2	WASHER		Sr/Nr 031974 to 034130	
34	+	125329-39030	1	LIMITER, MIXTURE		Sr/Nr 35502740 and before, CHINA	
34		A259-000030	1	CAP, LIMITER		Sr/Nr 36001001 and after	
35	+	125345-13310	1	PLUG, WELCH		Can be used on the 125200-05961, 05962, 05963	
36	+	125306-13120	1	PUMP KIT, ACC.		Sr/Nr 034131 and after, CHINA	

9. Carburetor(Sr/Nr 031974 and after,CHINA)



KEY	LV	PART NUMBER	Q'TY	DESCRIPTION	REMARKS	NOTE1	NOTE2
37		125329-09860	1	LIMITER, MIXTURE		Sr/Nr 36001001	
		125303-13310	1	DIAPHRAGM/GASKET KIT		and after	
		125300-13310	1	REBUILD KIT			

10. Repair Kit

KEY	LV	PART NUMBER	Q'TY	DESCRIPTION	REMARKS	NOTE1	NOTE2
		125303-13310	1	DIAPHRAGM/GASKET KIT			
9-3	+	125341-49030	1	DIAPHRAGM			
9-4	+	125340-51030	1	GASKET, DIAPHRAGM			
9-22	+	125312-12820	1	DIAPHRAGM, FUEL PUMP			
9-23	+	125325-13310	1	GASKET, PUMP			
		125300-13310	1	REBUILD KIT			
9-3	+	125341-49030	1	DIAPHRAGM			
9-4	+	125340-51030	1	GASKET, DIAPHRAGM			
9-6	+	125338-13930	1	PIN, METERING ARM			
9-7	+	125323-42030	1	LEVER, METERING			
9-8	+	125322-42030	1	SPRING, COIL			
9-9	+	125337-06960	1	VALVE, INLET NEEDLE			
9-11	+	125345-15130	1	PLUG, WELCH			
9-21	+	125326-42030	1	STRAINER			
9-22	+	125312-12820	1	DIAPHRAGM, FUEL PUMP			
9-23	+	125325-13310	1	GASKET, PUMP			

Index

Patrs Number	Key No.	Patrs Number	Key No.	Patrs Number	Key No.
100000-08960	1 - 12	125200-08460	3 - 10	125322-42030	9 - 8
100000-08962	1 - 12	125200-08460	9 -	125323-42030	10 - 9-7
100000-08963	1 - 12	125200-08960	3 - 10	125323-42030	7 - 7
100000-52130	1 - 12	125200-08960	7 -	125323-42030	8 - 7
100011-09560	1 - 17	125200-08961	3 - 10	125323-42030	9 - 7
100011-09560	1 - 17	125200-08961	7 -	125324-11610	7 - 24
100011-21230	1 - 17	125200-08962	3 - 10	125324-11610	8 - 24
100012-51230	1 - 11	125200-08962	8 -	125324-11610	9 - 24
100013-11520	1 - 16	125300-13310	10 -	125325-13310	10 - 9-23
100014-08960	1 - 13	125300-13310	9 -	125325-13310	10 - 9-23
100014-11520	1 - 13	125303-13310	10 -	125325-13310	9 - 23
100015-04630	1 - 15	125303-13310	9 -	125325-42030	7 - 23
100015-04630	1 - 15	125306-13120	9 - 36	125325-42030	8 - 23
100100-08960	1 - 10	125310-11610	7 - 28	125325-42030	9 - 23
100100-09760	1 - 10	125310-11610	8 - 28	125326-42030	10 - 9-21
100100-09761	1 - 10	125310-11610	9 - 28	125326-42030	7 - 21
100100-09762	1 - 10	125312-12820	10 - 9-22	125326-42030	8 - 21
100100-09763	1 - 10	125312-12820	10 - 9-22	125326-42030	9 - 21
100100-09764	1 - 10	125312-12820	9 - 22	125327-13930	7 - 19
100105-08961	1 - 10	125312-42030	7 - 22	125327-13930	8 - 19
100113-05930	1 - 11	125312-42030	8 - 22	125327-13930	9 - 19
100204-51030	1 - 4	125312-49030	9 - 22	125327-15130	7 - 10
100204-51031	1 - 4	125313-42030	7 - 17	125327-15130	8 - 10
100204-52130	1 - 4	125313-42030	8 - 17	125327-15130	9 - 10
100204-52131	1 - 4	125313-42030	9 - 17	125329-08960	8 - 33
100204-52132	1 - 4	125314-13930	7 - 13	125329-09860	9 - 37
100212-42030	1 - 5	125314-13930	8 - 13	125329-39030	9 - 34
100212-42031	1 - 5	125314-13930	9 - 13	125333-06960	9 - 30
100215-03930	1 - 9	125316-07260	7 - 12	125334-06960	9 - 29
100215-03930	6 - 7	125316-42030	8 - 12	125334-13930	7 - 29
100215-03930	6 - 7	125316-49030	9 - 12	125334-13930	8 - 29
100242-42030	1 - 8	125317-13310	9 - 18	125334-13930	9 - 29
101003-08960	1 - 21	125317-42030	7 - 18	125337-06960	10 - 9-9
101010-44330	1 - 18	125317-42030	8 - 18	125337-06960	7 - 9
101010-44331	1 - 18	125317-49030	9 - 18	125337-06960	8 - 9
101010-44332	1 - 18	125318-07360	9 - 15	125337-06960	9 - 9
101011-08960	1 - 19	125318-08960	7 - 15	125338-13930	10 - 9-6
101011-08961	1 - 19	125318-13120	9 - 15	125338-13930	7 - 6
101011-09560	1 - 19	125318-42030	8 - 15	125338-13930	8 - 6
101514-05960	1 - 25	125319-42030	7 - 14	125338-13930	9 - 6
101514-08960	1 - 25	125319-42030	8 - 14	125339-42030	7 - 5
125200-05961	3 - 10	125319-42030	9 - 14	125339-42030	8 - 5
125200-05961	9 -	125320-07260	7 - 16	125339-42030	9 - 5
125200-05962	3 - 10	125320-07360	9 - 16	125340-11520	7 - 4
125200-05962	9 -	125320-07760	8 - 16	125340-51030	10 - 9-4
125200-05963	3 - 10	125320-13310	9 - 16	125340-51030	10 - 9-4
125200-05963	9 -	125322-11520	7 - 8	125340-51030	8 - 4
125200-05964	3 - 10	125322-42030	10 - 9-8	125340-51030	9 - 4
125200-05964	9 -	125322-42030	8 - 8	125341-42030	7 - 3

Index

Patrs Number	Key No.	Patrs Number	Key No.	Patrs Number	Key No.
125341-42030	8 - 3	130307-09660	3 - 14	159010-10230	2 - 28
125341-42030	9 - 3	130307-09662	3 - 14	159011-03432	2 - 29
125341-49030	10 - 9-3	130310-06560	3 - 18	159012-01620	2 - 30
125341-49030	10 - 9-3	130310-51830	3 - 18	159017-10230	2 - 28
125341-49030	9 - 3	130310-54130	3 - 18	159017-13930	2 - 28
125342-13210	7 - 2	130313-06560	3 - 19	162010-52830	2 - 27
125342-13210	8 - 2	130313-06561	3 - 19	162021-52130	2 - 27
125342-13210	9 - 2	130313-06563	3 - 19	163400-05960	5 - 5
125342-52130	7 - 2	130313-09561	3 - 19	175000-02961	2 - 42
125342-52130	8 - 2	130422-09660	3 - 16	175000-02962	2 - 42
125342-52130	9 - 2	131002-08960	4 - 10	175003-01261	6 - 5
125344-52130	7 - 1	131002-08961	4 - 10	175005-01260	6 - 5
125344-52130	8 - 1	131004-06560	4 - 17	175005-08960	6 - 5
125344-52130	9 - 1	131004-08960	4 - 17	175009-05131	2 - 44
125345-06960	7 - 31	131004-48730	4 - 17	175014-05360	2 - 40
125345-13310	9 - 35	131004-55730	4 - 17	175016-07330	2 - 45
125345-15130	10 - 9-11	131016-40930	4 - 18	175018-05130	2 - 43
125345-15130	7 - 11	131016-55830	4 - 18	175018-05960	2 - 43
125345-15130	8 - 11	131051-52430	4 - 20	175019-04920	2 - 41
125345-15130	9 - 11	131205-07320	4 - 15	177200-05962	2 - 7
125353-07760	8 - 32	131205-50430	4 - 15	177202-07360	2 - 18
125353-20560	9 - 32	131300-40630	4 - 5	177202-07361	2 - 18
125363-11610	7 - 27	131300-40630	4 - 5	177215-05960	2 - 10
125363-11610	8 - 27	131300-56430	4 - 5	177218-44330	2 - 19
125363-11610	9 - 27	131920-28230	2 - 46	177220-42030	2 - 9
125372-42030	7 - 20	132010-02160	4 - 12	177226-05960	2 - 13
125372-42030	8 - 20	132010-06460	4 - 11	177227-42030	2 - 14
125372-42030	9 - 20	132010-21160	4 - 6	177228-06530	2 - 15
125376-07760	8 - 31	132115-01461	4 - 7	177234-05960	2 - 20
125376-13120	9 - 31	132115-44330	4 - 13	177236-44330	2 - 12
125376-49030	9 - 31	132717-06460	4 - 11	178001-05960	5 - 27
125378-13930	7 - 30	145510-42031	3 - 30	178010-05960	5 - 8
125378-13930	8 - 30	145802-05960	3 - 28	178012-05960	5 - 7
125378-13930	9 - 30	145802-08960	3 - 28	178013-35631	5 - 6
125381-08660	9 - 26	145863-06960	3 - 34	178121-10050	5 - 32
125381-46730	7 - 26	145863-08960	3 - 34	178127-05960	5 - 28
125381-46730	8 - 26	145866-42031	3 - 32	210417-09560	3 - 20
125381-46730	9 - 26	145871-44331	3 - 29	210417-52730	3 - 20
125383-13310	9 - 24	145871-52130	3 - 29	351012-07360	5 - 14
129011-05060	3 - 16	145876-42030	3 - 33	351012-07361	5 - 14
129011-09560	3 - 23	156110-04920	2 - 31	351027-02060	6 - 30
129011-12620	3 - 16	156601-44730	2 - 25	351102-47530	5 - 9
129011-52730	3 - 16	156601-44731	2 - 25	351200-07360	5 - 13
130010-42031	3 - 5	156601-52130	2 - 25	351200-07361	5 - 13
130010-42032	3 - 5	156626-52730	2 - 25	351200-07362	5 - 13
130016-42031	3 - 9	156801-09660	2 - 23	351200-07363	5 - 13
130017-42031	3 - 7	156801-12360	2 - 23	351205-08960	5 - 26
130307-06560	3 - 14	156801-44730	2 - 23	351205-08961	5 - 26
130307-06561	3 - 14	156801-44731	2 - 23	351217-05960	5 - 21

Index

Patrs Number	Key No.	Patrs Number	Key No.	Patrs Number	Key No.
351217-07360	5 - 34	880110-10860	6 - 4	900512-00008	2 - 16
351217-07361	5 - 34	890112-08961	2 - 6	900528-00005	3 - 20
351228-01260	5 - 19	890112-08962	2 - 6	900560-00005	5 - 17
351241-01260	5 - 20	890121-05360	3 - 21	900600-00005	3 - 37
351242-01261	5 - 22	890121-06360	3 - 21	900600-00006	5 - 30
351243-01260	5 - 18	890121-09560	3 - 21	900600-00006	6 - 17
433022-06460	5 - 15	890157-06560	5 - 33	900600-00008	2 - 17
433022-06460	6 - 22	890157-39130	5 - 33	900603-00005	4 - 9
610223-05960	2 - 47	890310-08960	2 - 32	900603-00006	5 - 16
610302-01260	6 - 12	890617-07660	2 - 32	900603-00006	6 - 42
610302-08961	6 - 12	890617-12620	2 - 32	900605-00006	6 - 16
610302-09660	6 - 12	895112-00330	6 - 38	900701-00016	6 - 10
610302-09661	6 - 12	895410-00430	6 - 37	900701-00019	6 - 10
610307-01260	6 - 13	898510-39130	6 - 45	900702-00035	6 - 9
610307-01261	6 - 13	898523-02961	6 - 39	900702-00037	6 - 9
610327-01260	6 - 14	900105-05055	3 - 36	900802-06003	6 - 8
610327-01261	6 - 14	900105-05060	5 - 23	900802-06003	6 - 26
610406-08560	6 - 50	900162-04016	2 - 5	900802-06003	6 - 26
610407-08561	6 - 6	900162-04016	2 - 48	900810-06200	6 - 11
610407-08562	6 - 6	900162-04022	1 - 26	900810-36201	1 - 7
610407-08961	6 - 6	900162-04022	2 - 24	900855-06904	6 - 26
610410-05960	6 - 6	900162-05014	6 - 21	900857-06904	6 - 8
610411-05960	6 - 34	900162-05022	1 - 20	94035-36201	1 - 7
610414-01260	6 - 31	900162-05028	1 - 6	A259-000030	9 - 34
610420-08560	6 - 6	900162-05030	6 - 18	A320-000250	3 - 29
610426-01260	6 - 32	900163-04016	2 - 5	A320-000251	3 - 29
610431-08960	6 - 34	900163-04016	2 - 48	A356-000030	4 - 5
610431-08961	6 - 34	900209-05010	6 - 46	A356-000030	4 - 5
610434-50030	6 - 35	900220-05030	5 - 11	A409-000000	2 - 23
610438-01260	5 - 25	900238-04016	2 - 5	A440-000320	5 - 5
610440-01260	6 - 19	900238-04022	1 - 26	C571-000020	6 - 41
610440-08960	6 - 19	900238-05010	5 - 31	P005-000590	9 - 24
610440-08960	6 - 19	900238-05016	4 - 8	P021-008380	3 - 28
610441-02060	6 - 20	900238-05016	5 - 24	P022-007980	2 - 20
610441-08960	6 - 20	900238-05020	3 - 8	V103-000111	3 - 9
610441-08960	6 - 20	900242-04010	3 - 35	V104-000003	3 - 32
697010-02060	6 - 24	900242-04014	6 - 33	V104-000160	3 - 30
697010-02960	6 - 24	900242-04022	6 - 36	V471-001180	4 - 6
697010-09660	6 - 24	900242-05016	5 - 24	V475-001900	2 - 33
697011-02060	6 - 25	900242-05057	3 - 17	X411-000080	6 - 24
697011-02960	6 - 25	900242-05064	3 - 17	X411-000090	6 - 25
697011-09660	6 - 25	900242-05065	3 - 17	X411-000320	6 - 24
699105-02061	6 - 23	900243-05016	4 - 8	X411-000330	6 - 25
699115-02062	6 - 28	900246-03025	5 - 12	X425-000100	6 - 23
699118-01261	6 - 27	900253-05014	5 - 35	X425-000200	6 - 23
699213-02062	6 - 29	900500-00005	3 - 6	X505-001220	2 - 34
699213-02063	6 - 29	900500-00005	5 - 10	X690-000020	6 - 44
699511-06560	6 - 41	900500-00006	6 - 15		
880110-10860	6 - 4	900502-00006	5 - 29		

YAMABIKO CORPORATION

7-2 SUEHIROCHO 1-CHOME, OHME, TOKYO 198-8760, JAPAN
PHONE: 81-428-32-6118. FAX: 81-428-32-6145.

