

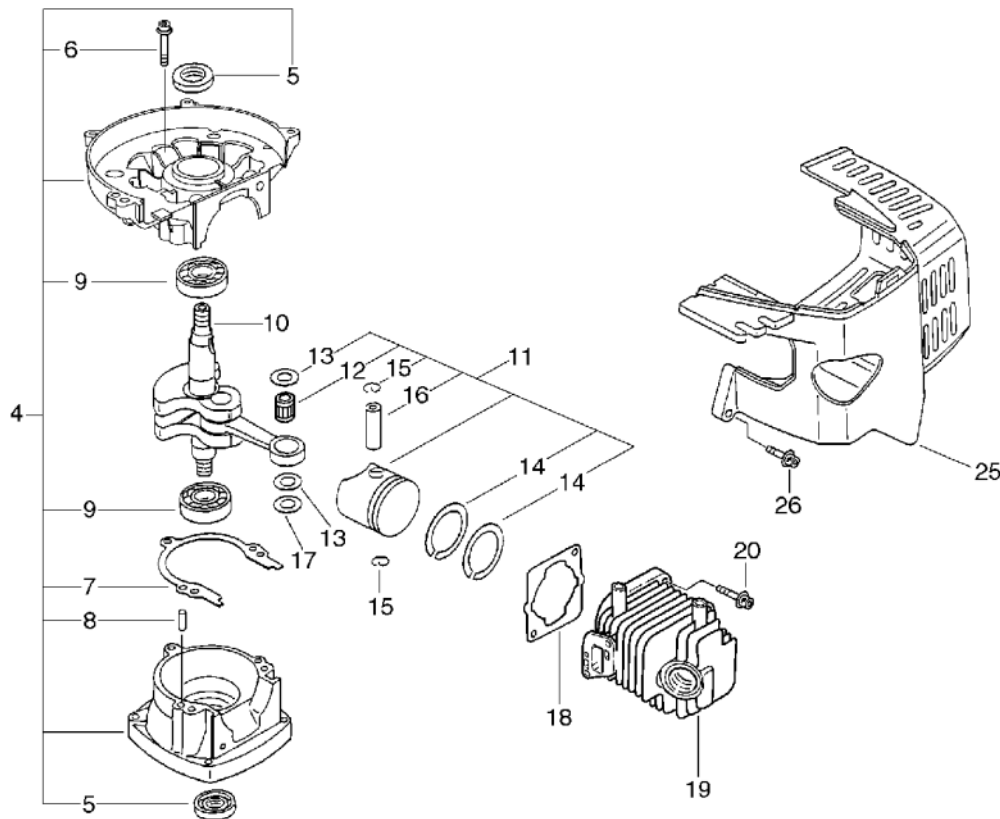


# **PARTS CATALOGUE**

## **HEDGE TRIMMER HC-1600(6digits)(35)(36)**

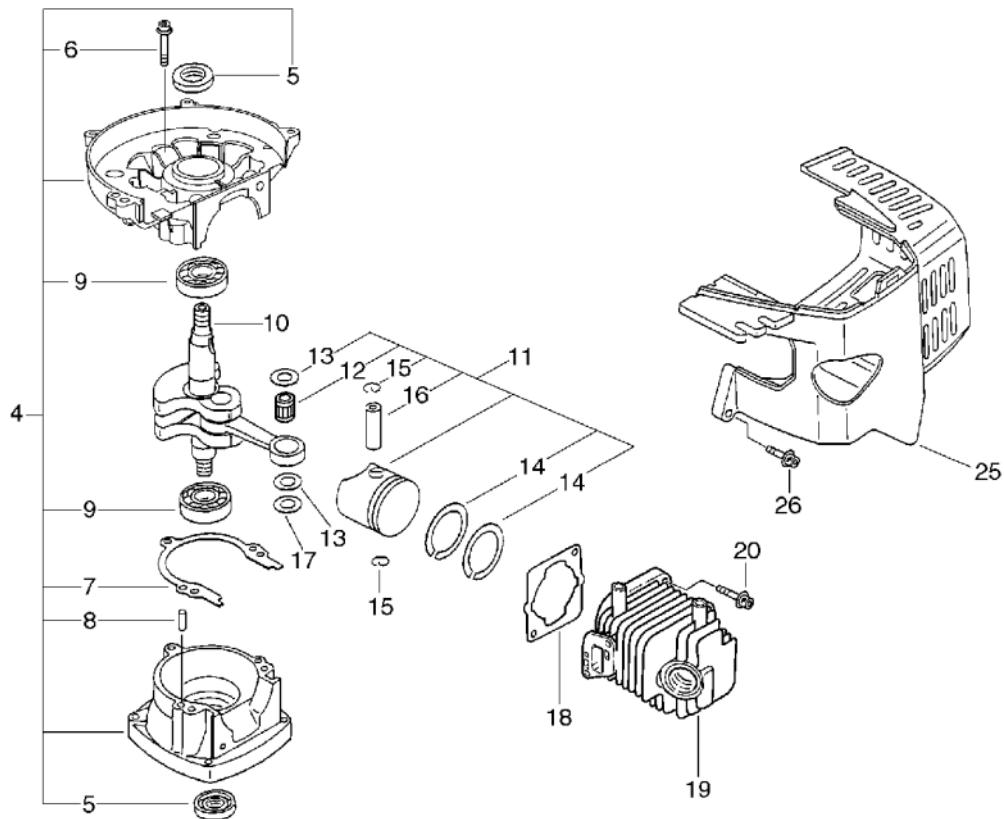
HC-1600(6digits)(35)(36)

1. Cylinder, Crankcase, Piston(Sr/Nr 36008140 and before)



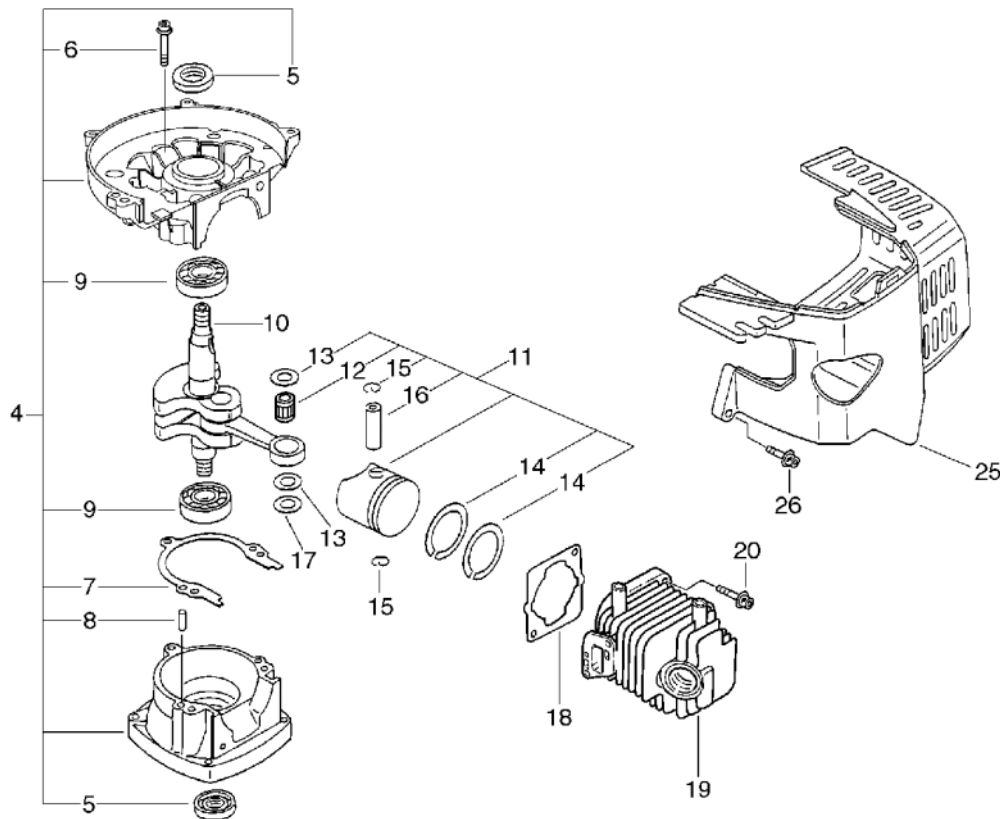
KEY	LV	PART NUMBER	Q'TY	DESCRIPTION	REMARKS	NOTE1	NOTE2
4		100204-51030	1	CRANKCASE KIT		Sus. by 100204-52132	
4		100204-52130	1	CRANKCASE KIT		Sus. by 100204-52132	
4		100204-52131	1	CRANKCASE KIT		Sus. by 100204-52132	
4		100204-52132	1	CRANKCASE KIT			
5	+	100212-42030	2	OILSEAL	ISCD12*22*4.5	Sus. by 100212-42031	
5	+	100212-42031	2	OILSEAL	ISCD 12*22*4.5		
6	+	900162-05028	3	BOLT, H.S. 5*28	5*28 W,SW		
7	+	100242-42030	1	GASKET, CRANKCASE			
8	+	100215-03930	2	PIN, DOWEL			
9	+	900810-36201	2	BEARING, BALL 6201	6201/C3	Sus. by 94035-36201	
9	+	94035-36201	2	BEARING BALL	6201X3JR2C3		
10		100100-05962	1	CRANKSHAFT ASSY		Sr/Nr 028000 to 047406	
10		100100-07760	1	CRANKSHAFT ASSY		Sus. by 100100-09760	
10		100100-09760	1	CRANKSHAFT ASSY		Sr/Nr 047407 to 068067	
10		A011-000010	1	CRANKSHAFT,ASM		Sus. by A011-000014	

**1. Cylinder, Crankcase, Piston(Sr/Nr 36008140 and before)**



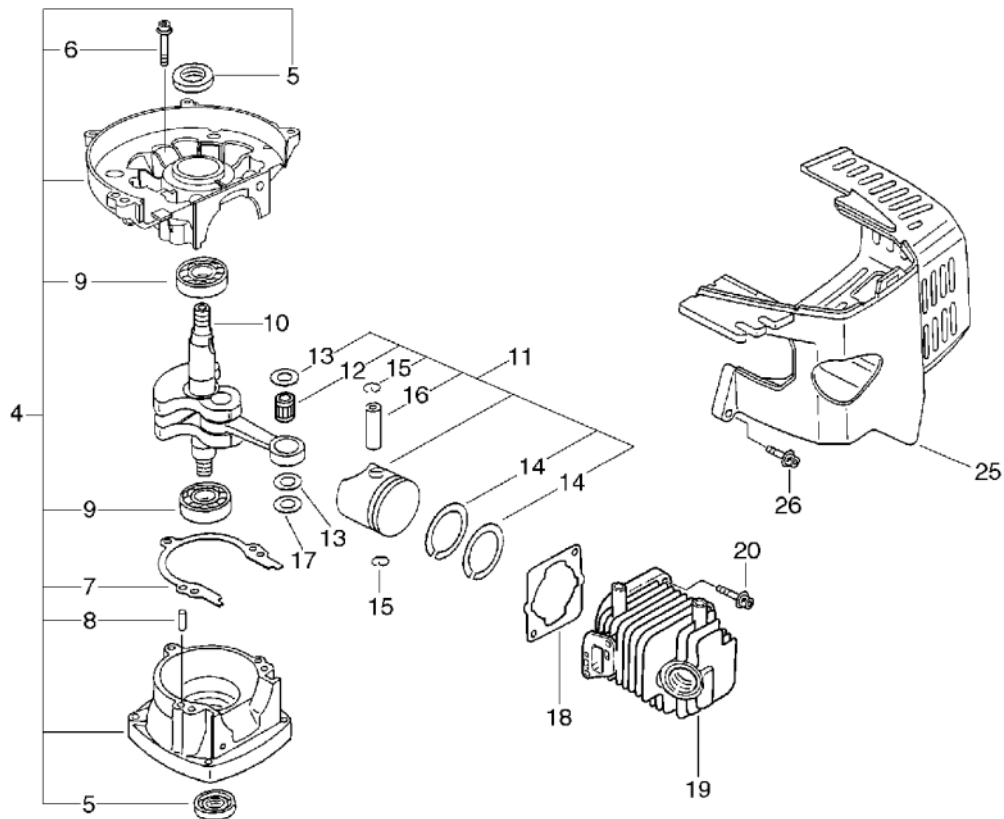
KEY	LV	PART NUMBER	Q'TY	DESCRIPTION	REMARKS	NOTE1	NOTE2
10		A011-000011	1	CRANKSHAFT,ASM		Sus. by A011-000014	
10		A011-000012	1	CRANKSHAFT,ASM		Sus. by A011-000014	
10		A011-000013	1	CRANKSHAFT,ASM		Sus. by A011-000014	
10		A011-000014	1	CRANKSHAFT,ASM		Sr/Nr 068068 and after	
11		100000-11520	1	PISTON KIT		Sr/Nr 028000 to 047406	
11		100000-07760	1	PISTON KIT		Sus. by 100000-06962	
11		100000-06961	1	PISTON KIT		Sus. by 100000-06962	
11		100000-06962	1	PISTON KIT		Sr/Nr 047407 to 068067	
11		P021-000400	1	PISTON KIT		Sus. by P021-001113	
11		P021-001110	1	PISTON KIT		Sus. by P021-001113	
11		P021-001111	1	PISTON KIT		Sus. by P021-001113	
11		P021-001112	1	PISTON KIT		Sus. by P021-001113	
11		P021-001113	1	PISTON KIT		Sr/Nr 068068 and after	

1. Cylinder, Crankcase, Piston(Sr/Nr 36008140 and before)



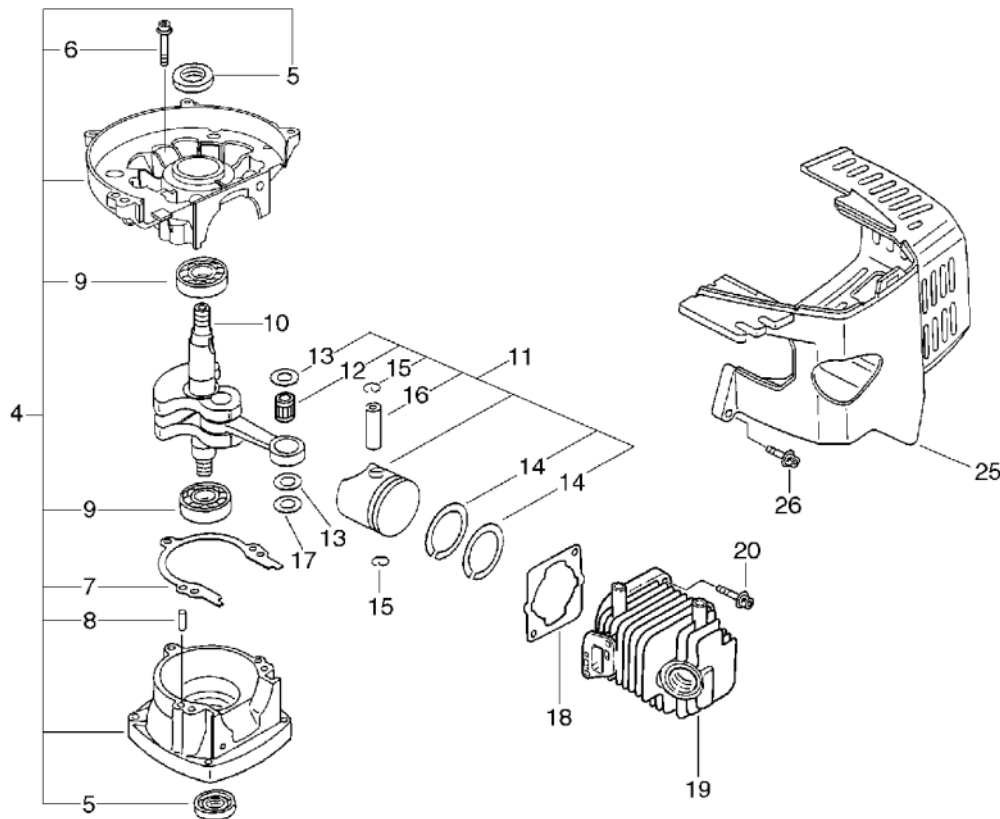
KEY	LV	PART NUMBER	Q'TY	DESCRIPTION	REMARKS	NOTE1	NOTE2
12	+	100113-05930	1	BEARING, NEEDLE	8*12*8		
13	+	100014-11520	2	SPACER, PISTON PIN		Sr/Nr 028000 to 047406	
13	+	100014-08960	2	SPACER, PISTON PIN		Sr/Nr 047407 and after	
14	+	100011-05330	2	RING, PISTON		Sr/Nr 068067 and before	
14	+	A101-000000	2	RING,PISTON		Sr/Nr 068068 and after	
15	+	100015-04630	2	CIRCLIP, PISTON PIN			
16	+	100013-11520	1	PIN, PISTON			
17	+	V306-000150	1	WASHER,CIRCULAR 8	8.2*13*0.8	Sr/Nr 36001001 and after	
18		101010-44331	1	GASKET, CYL. BASE		Sus. by 101010-44332	
18		101010-44332	1	GASKET, CYL. BASE			
19		101011-45230	1	CYLINDER		Sr/Nr 047406 and before	
19		101011-06560	1	CYLINDER		Sus. by 101011-06562	
19		101011-06561	1	CYLINDER		Sus. by 101011-06562	
19		101011-06562	1	CYLINDER		Sr/Nr 047407 to 068067	
19		A130-000020	1	CYLINDER		Sus. by A130-000021	

**1. Cylinder, Crankcase, Piston(Sr/Nr 36008140 and before)**



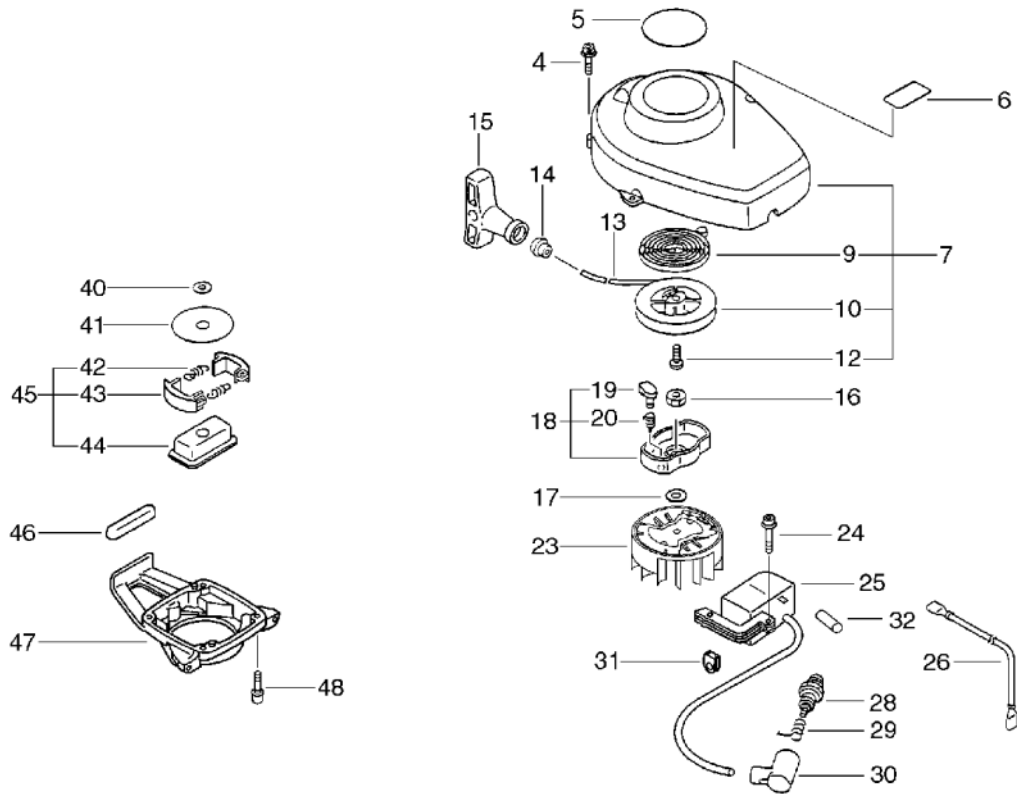
KEY	LV	PART NUMBER	Q'TY	DESCRIPTION	REMARKS	NOTE1	NOTE2
19		A130-000021	1	CYLINDER		Sr/Nr 068068 and after	
20		900162-05022	2	BOLT, H.S. 5*22	5*22 W,SW		
25		101514-08960	1	COVER, CYLINDER		Sr/Nr 36008140 and before	
26		900238-04022	2	SCREW 4*22	4*22	Sus. by 900162-04022	
26		900162-04022	2	BOLT, H.S. 4*22	4*22 W,SW		

**2. Cylinder, Crankcase, Piston(Sr/Nr 36008141 and after)**



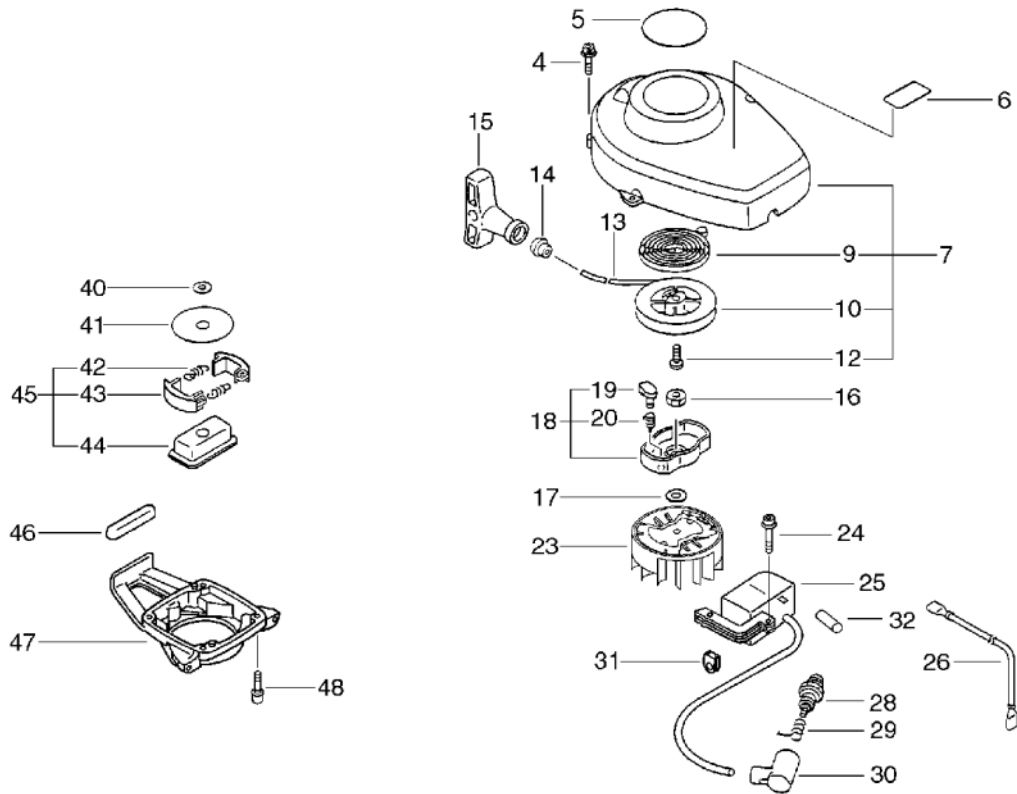
KEY	LV	PART NUMBER	Q'TY	DESCRIPTION	REMARKS	NOTE1	NOTE2
4		100204-52132	1	CRANKCASE KIT			
5	+	100212-42031	2	OILSEAL	ISCD 12*22*4.5		
6	+	900162-05028	3	BOLT, H.S. 5*28	5*28 W,SW		
7	+	100242-42030	1	GASKET, CRANKCASE			
8	+	100215-03930	2	PIN, DOWEL			
9	+	94035-36201	2	BEARING BALL	6201X3JR2C3		
10		A011-000014	1	CRANKSHAFT,ASM			
11		P021-001113	1	PISTON KIT			
12	+	100113-05930	1	BEARING, NEEDLE	8*12*8		
13	+	100014-08960	2	SPACER, PISTON PIN			
14	+	A101-000000	2	RING,PISTON			
15	+	100015-04630	2	CIRCLIP, PISTON PIN			
16	+	100013-11520	1	PIN, PISTON			
17	+	V306-000150	1	WASHER,CIRCULAR 8	8.2*13*0.8		
18		101010-44332	1	GASKET, CYL. BASE			
19		A130-000021	1	CYLINDER			
20		900162-05022	2	BOLT, H.S. 5*22	5*22 W,SW		
25		A160-000810	1	COVER,CYLINDER		Sr/Nr 36008141 and after	
26		900162-04022	2	BOLT, H.S. 4*22	4*22 W,SW		

**3. Starter, Magneto, Clutch(Sr/Nr 36008140 and before)**



KEY	LV	PART NUMBER	Q'TY	DESCRIPTION	REMARKS	NOTE1	NOTE2
4		900238-04016	4	SCREW 4*16	4*16	Sus. by 900162-04016	
4		900162-04016	4	BOLT, H.S. 4*16	4*16 W,SW	Sr/Nr 35501001 and after	
4		900163-04016	4	BOLT HSH		Sr/Nr 35501000 and before	
5		890118-49130	1	LABEL, ECHO		Sus. by 890115-06962	
5		890115-06961	1	LABEL, MODEL		Sus. by 890115-06962	
5		890115-06962	1	LABEL, MODEL			
6		890630-06960	1	LABEL, MODEL		Sus. by 890617-07660	
6		890617-07660	1	LABEL, CAUTION		Sr/Nr 35501001 and after	
6		890617-12620	1	LABEL, CAUTION		Sr/Nr 35501000 and before	
7		177200-05962	1	STARTER ASSY		Sr/Nr 36008140 and before	
9	+	177220-42030	1	SPRING, REWIND			
10	+	177215-05960	1	DRUM, STARTER			
12	+	177236-44330	1	SCREW			
13	+	177226-05960	1	ROPE, STARTER	3.5*830		
14	+	177227-42030	1	GUIDE, ROPE			
15	+	177228-06530	1	GRIP, STARTER			
16		900512-00008	1	NUT 3N 8 (L-H)	3N 8		

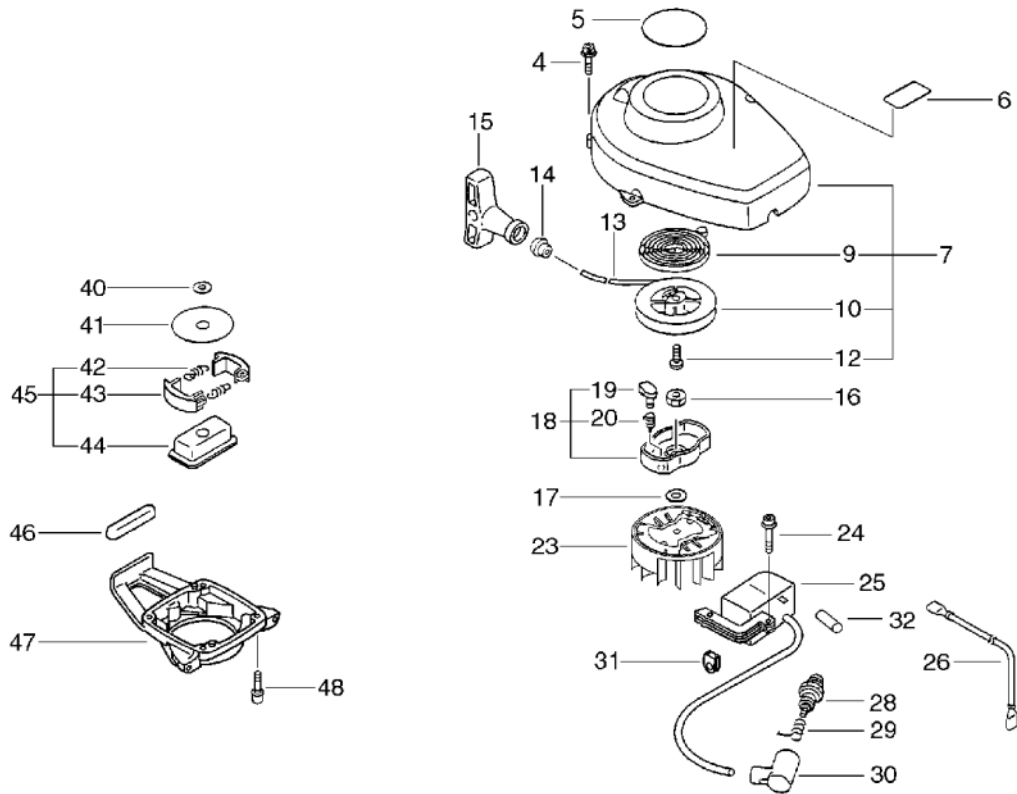
**3. Starter, Magneto, Clutch(Sr/Nr 36008140 and before)**



KEY	LV	PART NUMBER	Q'TY	DESCRIPTION	REMARKS	NOTE1	NOTE2
17		900600-00008	1	WASHER 8	8		
18		177202-07360	1	PAWL ASSY, STARTER		Sus. by 177202-07361	
18		177202-07361	1	PAWL ASM., STARTER			
19	+	177218-44330	1	PAWL, STARTER	BLACK		
20	+	177234-05960	1	SPRING, RETURN		Sus. by P022-007980	
20	+	P022-007980	1	SPRING, RETURN			
23		156801-44730	1	FLYWHEEL		Sus. by 156801-12360	
23		156801-44731	1	FLYWHEEL		Sus. by 156801-12360	
23		156801-09660	1	FLYWHEEL		Sus. by set of 156601-52130 and 156801-12360	
23		156801-12360	1	ROTOR, MAGNETO		Sr/Nr 066766 and before	
23		A409-000000	1	ROTOR, MAGNETO		Sr/Nr 066767 and after	
24		900162-04022	2	BOLT, H.S. 4*22	4*22 W, SW		
25		156601-44730	1	COIL, IGNITION		Sus. by 156601-44731	
25		156601-44731	1	COIL, IGNITION		Sr/Nr 047406 and before	

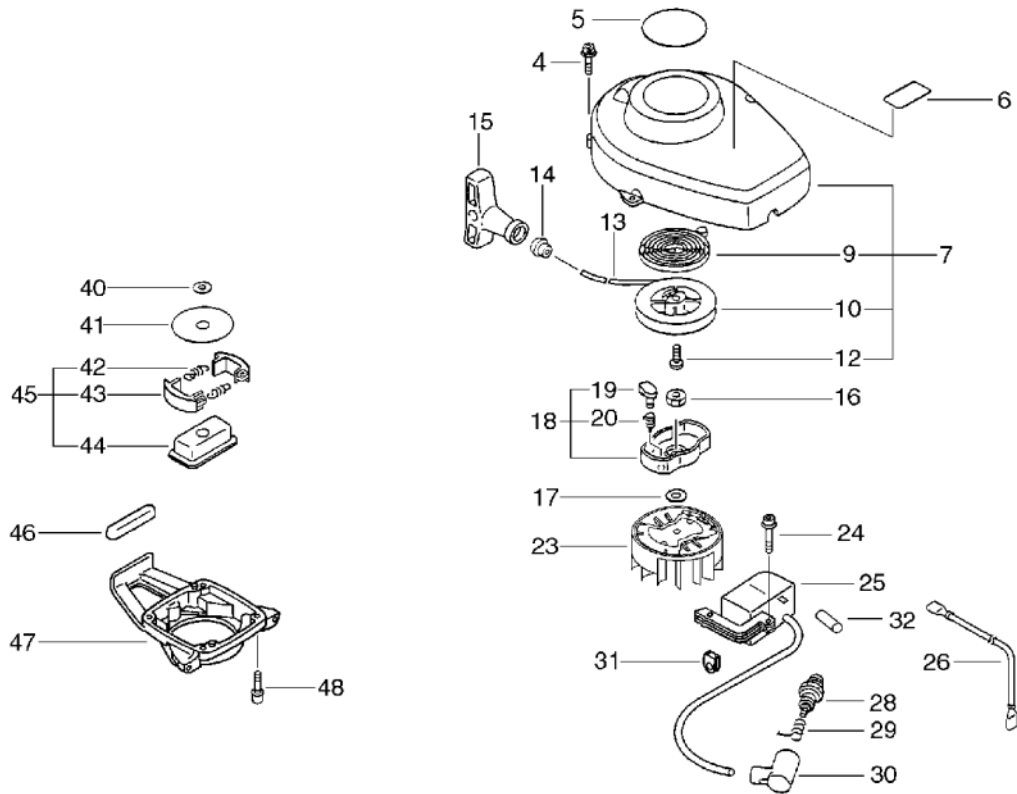


**3. Starter, Magneto, Clutch(Sr/Nr 36008140 and before)**



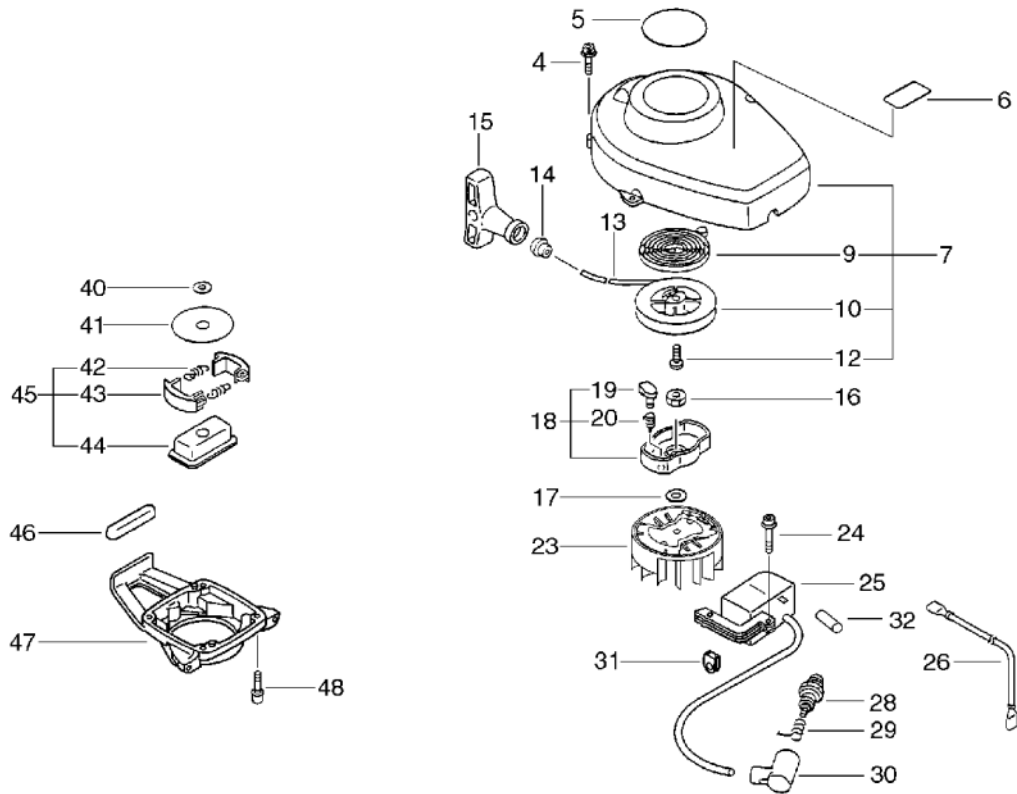
KEY	LV	PART NUMBER	Q'TY	DESCRIPTION	REMARKS	NOTE1	NOTE2
25		156601-52130	1	COIL, IGNITION		Sr/Nr 047407 and after	
25		156626-09660	1	COIL, IGNITION		Sus. by set of 156601-52130 and 156801-12360	
25		156626-52730	1	COIL, IGNITION		Sus. by set of 156601-52130 and 156801-12360	
26		162021-52130	1	LEAD	210L	Sus. by 162010-52830	
26		162010-52830	1	LEAD, GROUND		Sr/Nr 047407 and after	
28		159017-10230	1	PLUG, SPARK (RCJ-7Y)	RCJ-7Y		
29		159011-03432	1	COIL, SPARK PLUG			
30		159012-01620	1	CAP, SPARK PLUG			
31		156110-04920	1	BUSHING			
32		V475-001900	1	TUBE	7*8.6*30		
40		175014-05360	1	WASHER, CLUTCH	8.2*19*3.2		
41		175019-04920	1	PLATE, CLUTCH			
45		175000-02962	1	CLUTCH ASSY			
42	+	175018-05960	2	SPRING, CLUTCH			
43	+	175009-05131	2	SHOE, CLUTCH			
44	+	175016-07330	1	HUB, CLUTCH			
46		131920-28230	1	CUSHION, FUEL TANK			

**3. Starter, Magneto, Clutch(Sr/Nr 36008140 and before)**



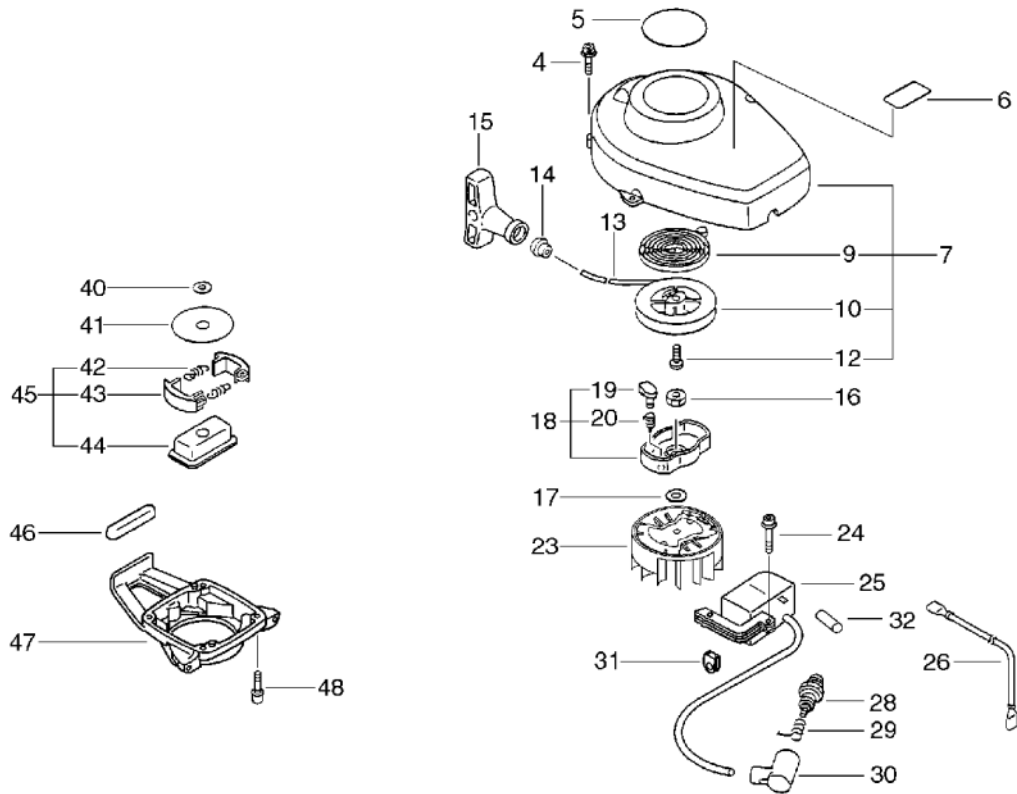
KEY	LV	PART NUMBER	Q'TY	DESCRIPTION	REMARKS	NOTE1	NOTE2
47		175055-06960	1	HOUSING, CLUTCH			
48		900162-04016	4	BOLT, H.S. 4*16	4*16 W,SW	Sr/Nr 35501001 and after	
48		900163-04016	4	BOLT HSH		Sr/Nr 35501000 and before	

**4. Starter, Magneto, Clutch(Sr/Nr 36008141 and after)**



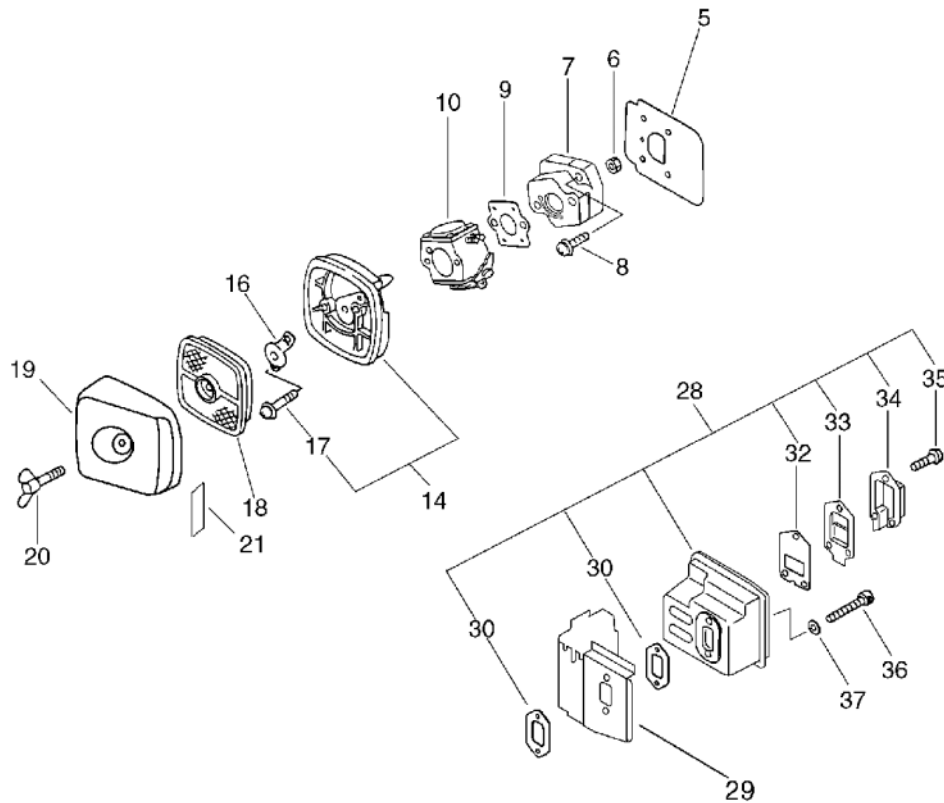
KEY	LV	PART NUMBER	Q'TY	DESCRIPTION	REMARKS	NOTE1	NOTE2
4		900162-04016	4	BOLT, H.S. 4*16	4*16 W,SW		
5		890115-06962	1	LABEL, MODEL			
6		890617-07660	1	LABEL, CAUTION			
7		177200-07162	1	STARTER ASSY		Sr/Nr 36008141 and after	
9	+	177220-42030	1	SPRING, REWIND			
10	+	177215-05960	1	DRUM, STARTER			
12	+	177236-44330	1	SCREW			
13	+	177226-05960	1	ROPE, STARTER	3.5*830		
14	+	177227-42030	1	GUIDE, ROPE			
15	+	177228-06530	1	GRIP, STARTER			
16		900512-00008	1	NUT 3N 8 (L-H)	3N 8		
17		900600-00008	1	WASHER 8	8		
18		177202-07361	1	PAWL ASM., STARTER			
19	+	177218-44330	1	PAWL, STARTER	BLACK		
20	+	P022-007980	1	SPRING, RETURN			
23		A409-000000	1	ROTOR, MAGNETO			
24		900162-04022	2	BOLT, H.S. 4*22	4*22 W,SW		
25		156601-52130	1	COIL, IGNITION			
26		162010-52830	1	LEAD, GROUND			
28		159017-10230	1	PLUG, SPARK (RCJ-7Y)	RCJ-7Y		
29		159011-03432	1	COIL, SPARK PLUG			
30		159012-01620	1	CAP, SPARK PLUG			
31		156110-04920	1	BUSHING			
32		V475-001900	1	TUBE	7*8.6*30		
40		175014-05360	1	WASHER, CLUTCH	8.2*19*3.2		

4. Starter, Magneto, Clutch(Sr/Nr 36008141 and after)



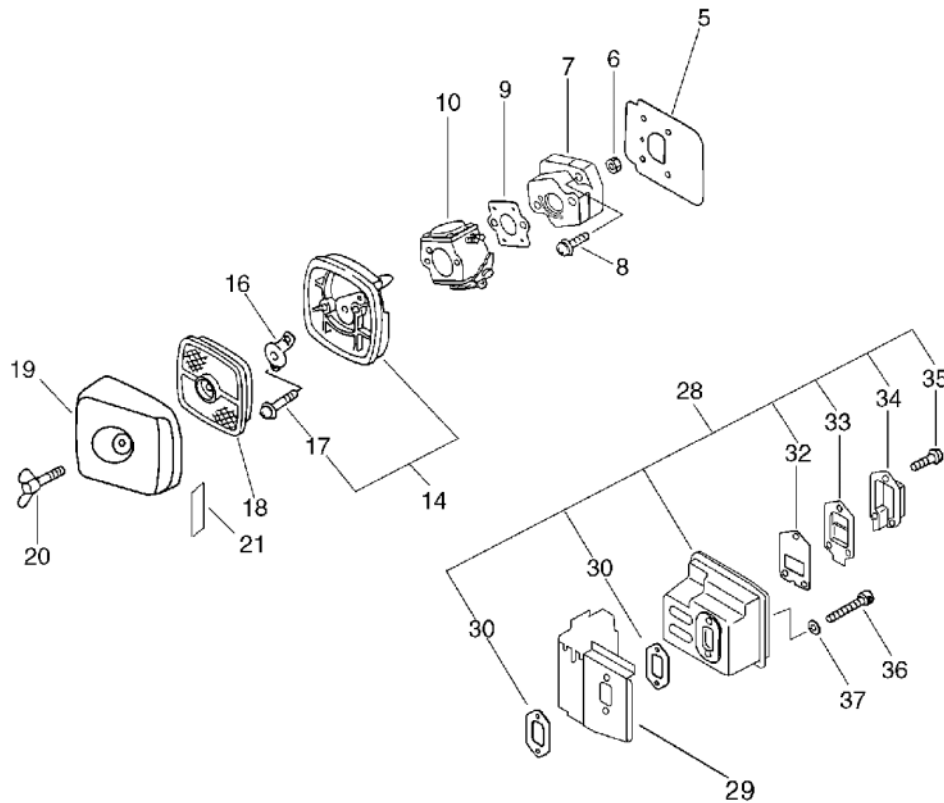
KEY	LV	PART NUMBER	Q'TY	DESCRIPTION	REMARKS	NOTE1	NOTE2
41		175019-04920	1	PLATE, CLUTCH			
45		175000-02962	1	CLUTCH ASSY			
42	+	175018-05960	2	SPRING, CLUTCH			
43	+	175009-05131	2	SHOE, CLUTCH			
44	+	175016-07330	1	HUB, CLUTCH			
46		131920-28230	1	CUSHION, FUEL TANK			
47		175055-06960	1	HOUSING, CLUTCH			
48		900162-04016	4	BOLT, H.S. 4*16	4*16 W,SW		

5. Air Cleaner, Muffler(Sr/Nr 36008140 and before)



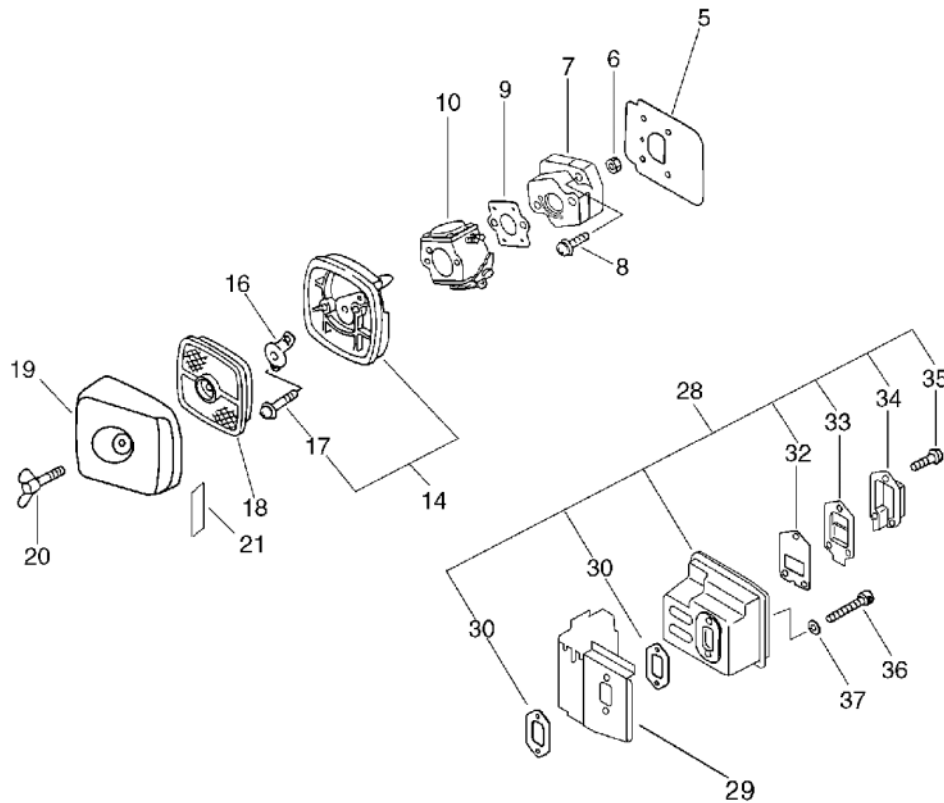
KEY	LV	PART NUMBER	Q'TY	DESCRIPTION	REMARKS	NOTE1	NOTE2
5		130010-42032	1	GASKET,INTAKE			
6		900500-00005	2	NUT 5	5		
7		130017-42031	1	INSULATOR, INTAKE			
8		900238-05020	2	SCREW 5*20	5*20		
9		V103-000111	1	GASKET,INTAKE		Sr/Nr 35501000 and before	
9		130016-42031	1	GASKET, INTAKE		Sr/Nr 35501001 and after	
10		125200-07760	1	CARBURETOR ASSY	C1U-K35A	Sus. by 125200- 07761	
10		125200-07761	1	CARBURETOR	C1U-K35A	Sr/Nr 028000 to 047406	
10		125200-08460	1	CARBURETOR ASSY	C1U-K45	Sus. by 125200- 05964	
10		125200-05961	1	CARBURETOR C1U-K51	C1U-K51	Sus. by 125200- 05964	
10		125200-05962	1	CARBURETOR	C1U-K51	Sus. by 125200- 05964	
10		125200-05963	1	CARBURETOR C1U-K51	C1U-K51	Sus. by 125200- 05964	
10		125200-05964	1	CARBURETOR	C1U-K51	Sr/Nr 047407 and after	
14		130307-06561	1	CASE, AIR CLEANER		Sus. by P021- 002921	
14		P021-002921	1	CASE, AIR CLEANER			
17	+	900242-05065	2	SCREW 5*65	5*65		

5. Air Cleaner, Muffler(Sr/Nr 36008140 and before)



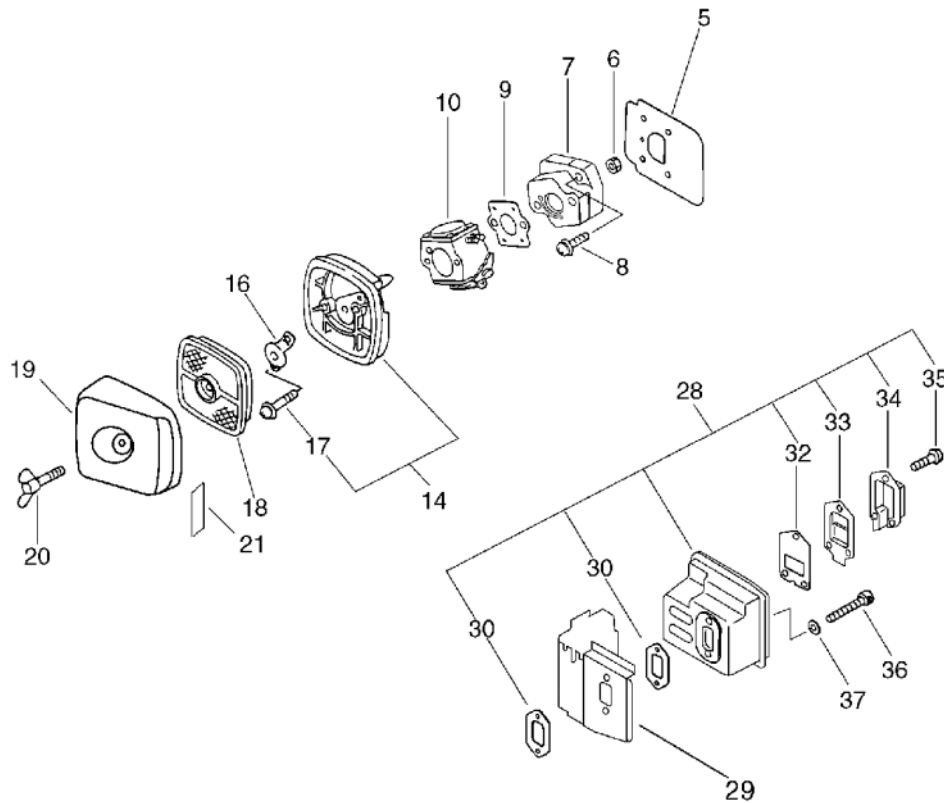
KEY	LV	PART NUMBER	Q'TY	DESCRIPTION	REMARKS	NOTE1	NOTE2
16		129011-12620	1	PLATE, PREVENT		Sr/Nr 028000 to 046717	
16		129011-52730	1	PLATE, PREVENT		Sr/Nr 046718 and after	
18		130310-54130	1	FILTER, AIR			
19		130313-06561	1	COVER, AIR CLEANER		Sr/Nr 028000 to 046717	
19		130313-06563	1	LID, AIR CLEANER		Sr/Nr 046718 to 36008140	
20		900528-00005	1	NUT	5	Sr/Nr 028000 to 046717	
20		210417-52730	1	BOLT, WING	5*20	Sr/Nr 046718 and after	
21		890121-05360	1	LABEL, METERING			
29		145871-44331	1	COVER, MUFFLER		Sus. by A320-000251	
29		145631-42030	1	COVER, MUFFLER		Sus. by A320-000251	
29		A320-000250	1	COVER,MUFFLER		Sus. by A320-000251	
29		A320-000251	1	COVER,MUFFLER			
28		145802-08960	1	MUFFLER ASSY		Sr/Nr 068067 and before	
28		P021-001330	1	MUFFLER ASY		Sus. by P021-001332	

5. Air Cleaner, Muffler(Sr/Nr 36008140 and before)



KEY	LV	PART NUMBER	Q'TY	DESCRIPTION	REMARKS	NOTE1	NOTE2
28		P021-001331	1	MUFFLER ASY		Sus. by P021-001332	
28		P021-001332	1	MUFFLER ASY		Sr/Nr 068068 and after	
30	+	145510-42031	2	GASKET, MUFFLER		Sus. by V104-000160	
30	+	V104-000160	2	GASKET,EXHAUST			
32	+	145866-42031	1	GASKET, MUFFLER LID		Sr/Nr 068067 and before	
32	+	V104-000000	1	GASKET,EXHAUST		Sus. by V104-000003	
32	+	V104-000001	1	GASKET,EXHAUST		Sus. by V104-000003	
32	+	V104-000002	1	GASKET,EXHAUST		Sus. by V104-000003	
32	+	V104-000003	1	GASKET,EXHAUST		Sr/Nr 068068 and after	
33	+	145876-42030	1	LID, MUFFLER (B)			
34	+	145863-08960	1	GUIDE, EXHAUST		Sr/Nr 068067 and before	
34	+	A313-000010	1	GUIDE,EXH	ID#4000	Sr/Nr 068068 and after	
35	+	900242-04010	3	SCREW 4*10	4*10		
36		900105-05055	2	BOLT, H.S. 5*55	5*55		
37		900600-00005	2	WASHER 5	5		

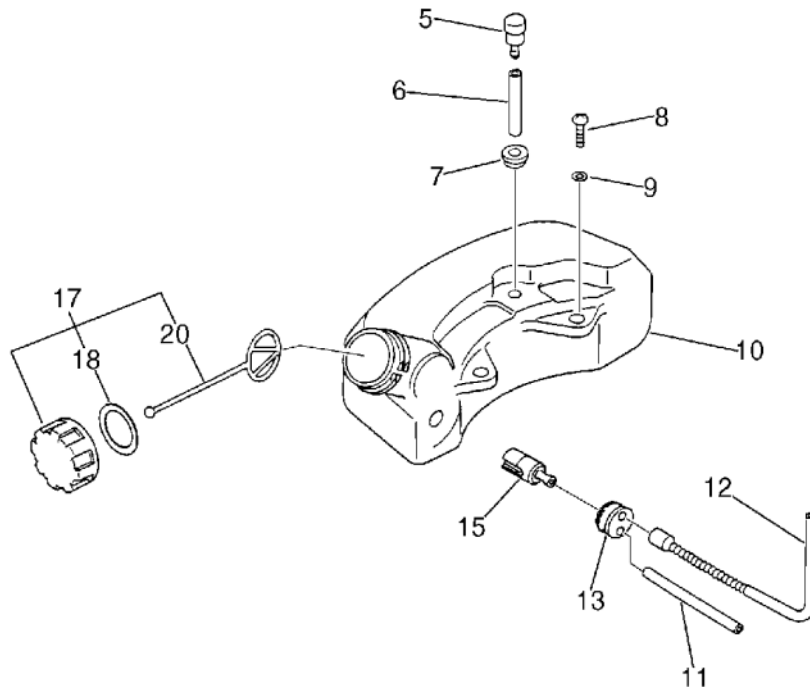
6. Air Cleaner, Muffler(Sr/Nr 36008141 and after)



KEY	LV	PART NUMBER	Q'TY	DESCRIPTION	REMARKS	NOTE1	NOTE2
5		130010-42032	1	GASKET,INTAKE			
6		900500-00005	2	NUT 5	5		
7		130017-42031	1	INSULATOR, INTAKE			
8		900238-05020	2	SCREW 5*20	5*20		
9		130016-42031	1	GASKET, INTAKE			
10		125200-05964	1	CARBURETOR	C1U-K51		
14		P021-002921	1	CASE, AIR CLEANER			
17	+	900242-05065	2	SCREW 5*65	5*65		
16		129011-52730	1	PLATE, PREVENT			
18		130310-54130	1	FILTER, AIR			
19		130313-05863	1	LID, AIR CLEANER		Sr/Nr 36008141 and after	
20		210417-52730	1	BOLT, WING	5*20		
21		890121-05360	1	LABEL, METERING			
29		145631-42030	1	COVER, MUFFLER			
28		A320-000251	1	COVER,MUFFLER			
30	+	V104-000160	2	GASKET,EXHAUST			
32	+	V104-000003	1	GASKET,EXHAUST			
33	+	145876-42030	1	LID, MUFFLER (B)			
34	+	A313-000010	1	GUIDE,EXH	ID#4000		
35	+	900242-04010	3	SCREW 4*10	4*10		
36		900105-05055	2	BOLT, H.S. 5*55	5*55		
37		900600-00005	2	WASHER 5	5		

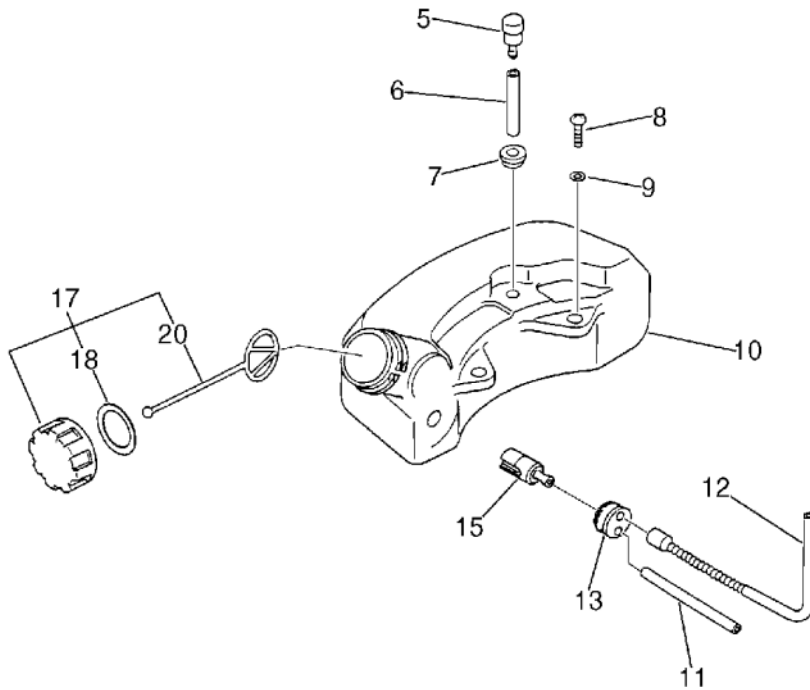


7. Fuel Tank



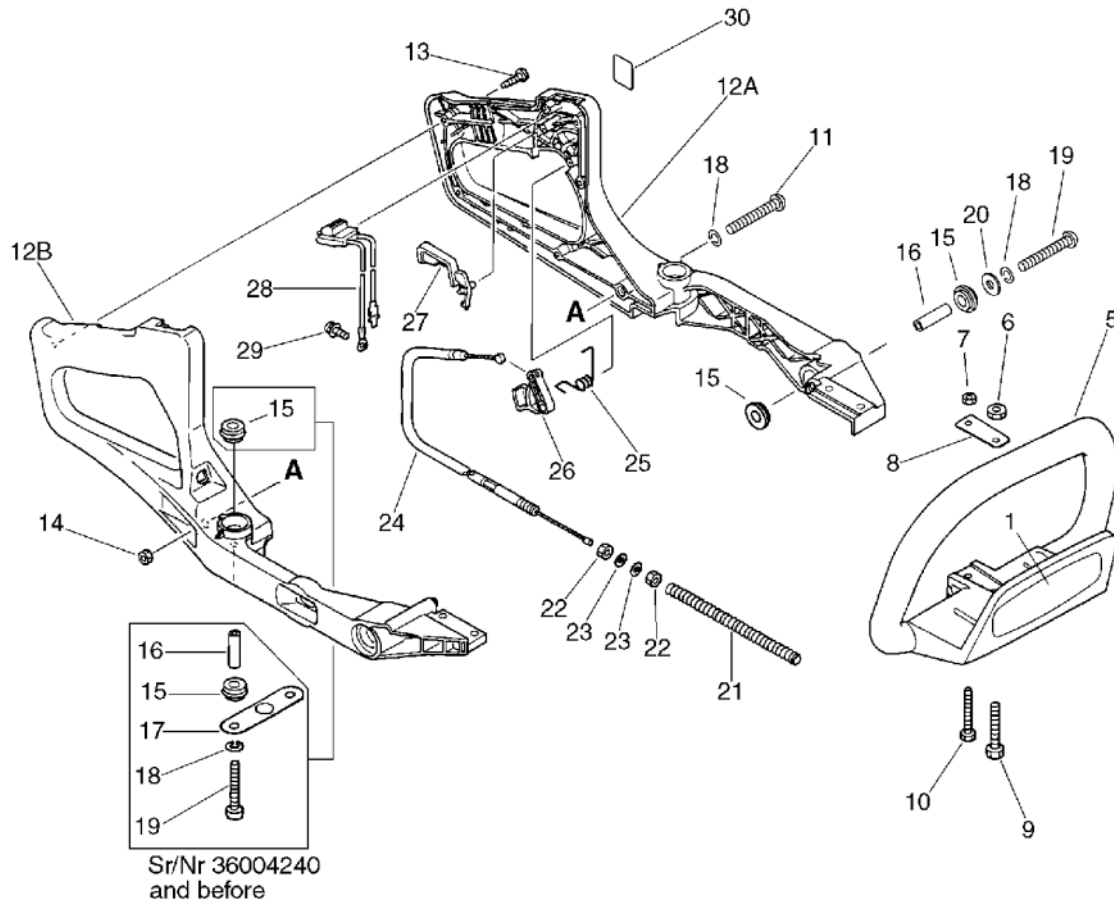
KEY	LV	PART NUMBER	Q'TY	DESCRIPTION	REMARKS	NOTE1	NOTE2
5		131300-40630	1	VALVE, CHECK		Sus. by 131300-56430	
5		131300-56430	1	VALVE, CHECK			
6		132010-21160	1	PIPE, FUEL	3*6*35	Sus. by V471-001180	
6		V471-001180	1	PIPE	3*6*35 NBR		
7		132115-01461	1	GROMMET			
8		900238-05016	2	SCREW 5*16	5*16	Sus. by 900243-05016	
8		900243-05016	2	SCREW 5*16	5*16		
9		900603-00005	2	WASHER 5	5.5*12*0.8	Sus. by 900243-05016	
10		131002-08960	1	TANK, FUEL		Sus. by 131002-08961	
10		131002-08961	1	TANK, FUEL			
11		132717-06460	1	PIPE 3*5*110	3*5*110	Sus. by 132010-06460	
11		132010-06460	1	PIPE 3*6*110	3*6*110 YL		
12		132010-02160	1	PIPE, FUEL (INNER)	L=190		
13		132115-44330	1	GROMMET			
15		131205-07320	1	STRAINER, FUEL			
17		131004-06560	1	CAP ASSY, FUEL TANK		Sus. by 131004-08960	
17		131004-08960	1	CAP ASSY, FUEL			

7. Fuel Tank



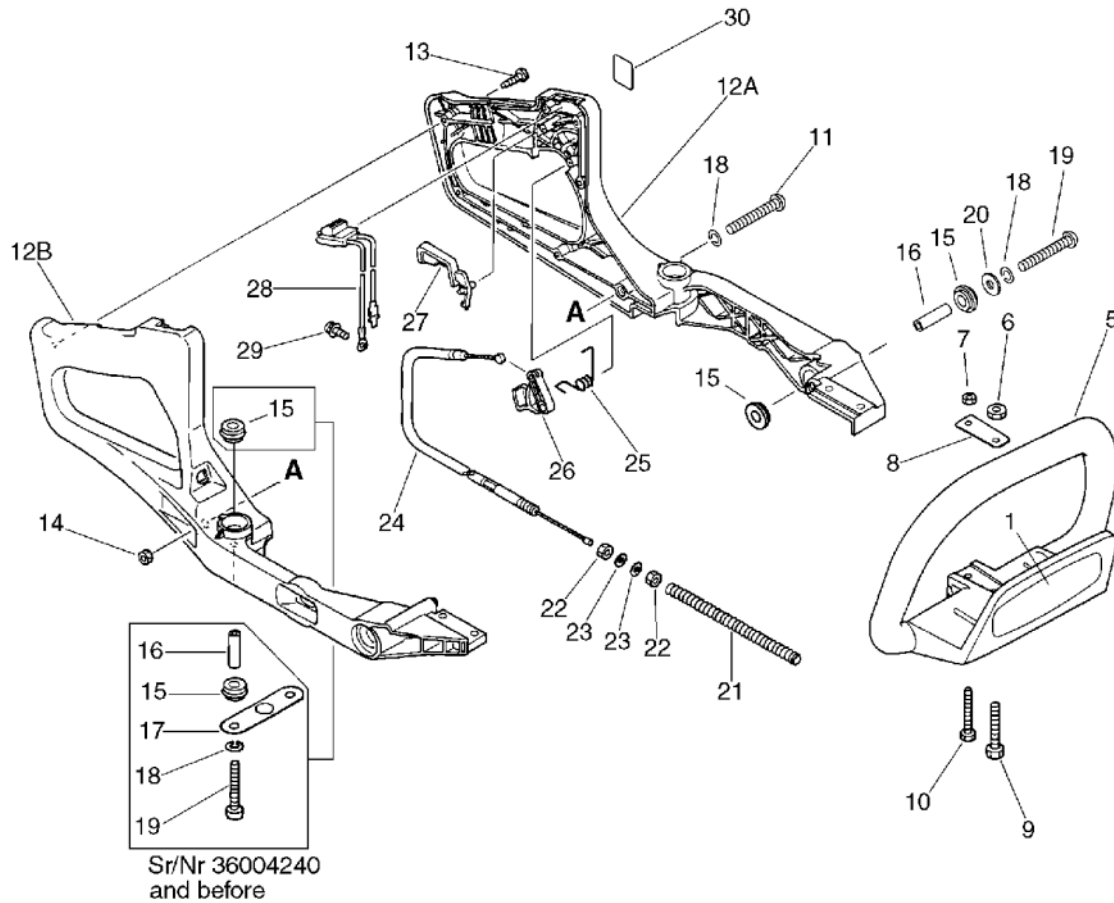
KEY	LV	PART NUMBER	Q'TY	DESCRIPTION	REMARKS	NOTE1	NOTE2
18	+	131016-40930	1	GASKET, FUEL CAP		Can be used on the 131004-06560 only	
18	+	131016-55830	1	GASKET, FUEL CAP		Can be used on the 131004-08960 only	
20	+	131051-52430	1	CONNECTOR, CAP	80L		

8. Handle



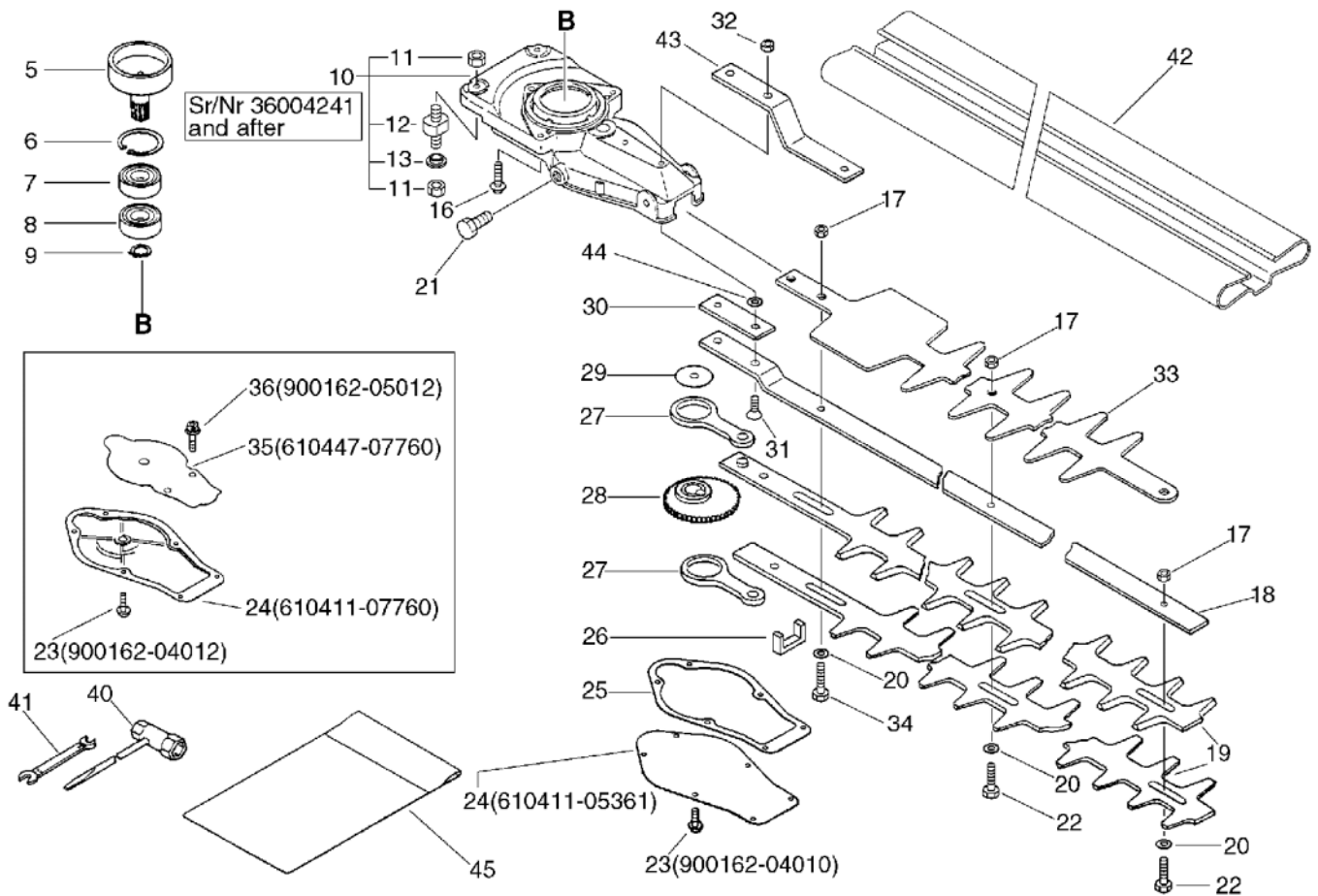
KEY	LV	PART NUMBER	Q'TY	DESCRIPTION	REMARKS	NOTE1	NOTE2
1		X502-000260	1	LABEL,ECHO	100*26.9		
5		351610-05360	1	HANDLE, FRONT			
6		900500-00006	1	NUT 6	6		
7		900500-00005	1	NUT 5	5		
8		351611-05360	1	WASHER			
9		900100-06035	1	BOLT 6*35	6*35		
10		900100-05035	1	BOLT 5*35	5*35		
11		900242-05064	2	SCREW 5*64	5*64		
12A		351129-06960	1	HANDLE, REAR		Sus. by 351129-06961	
12A		351129-06961	1	HANDLE, REAR			
12B		351110-06960	1	HANDLE, REAR		Sus. by 351110-06961	
12B		351110-06961	1	HANDLE, REAR			
13		900253-04025	6	SCREW 4*25	4*25		
14		900500-00005	2	NUT 5	5		
15		351228-06960	8	CUSHION		Sr/Nr 36004240 and before	
15		351228-06960	4	CUSHION		Sr/Nr 36004241 and after	
16		351241-01260	4	SPASER		Sr/Nr 36004240 and before	
16		351241-01260	2	SPASER		Sr/Nr 36004241 and after	
17		351242-06960	1	PLATE, EYE		Sus. by 351242-06961	

8. Handle



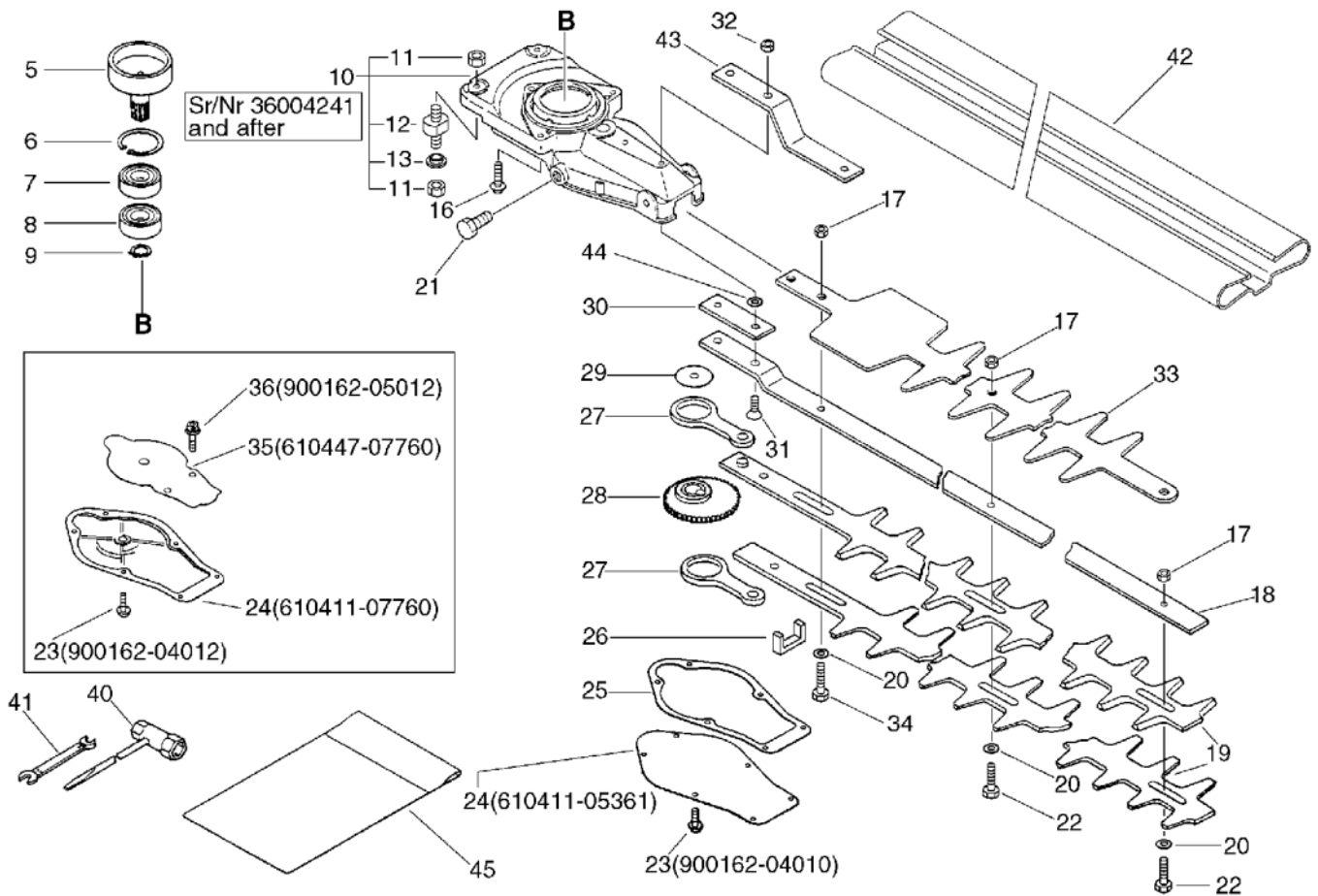
KEY	LV	PART NUMBER	Q'TY	DESCRIPTION	REMARKS	NOTE1	NOTE2
17		351242-06961	1	PLATE, EYE		Sr/Nr 36004240 and before	
18		900605-00005	4	WASHER, SPRING 5	5	Sr/Nr 36004240 and before	
18		900605-00005	2	WASHER, SPRING 5	5	Sr/Nr 36004241 and after	
19		900220-05040	4	SCREW 5*40	5*40	Sr/Nr 36004240 and before	
19		900220-05040	2	SCREW 5*40	5*40	Sr/Nr 36004241 and after	
20		351249-06960	2	WASHER			
21		178127-06960	1	TUBE	7*150		
22		900502-00006	2	NUT 6 (3N)	3N6		
23		900600-00006	2	WASHER 6	6		
24		178001-06960	1	WIRE, THROTTLE			
25		178013-35631	1	SPRING, THR. LOCK			
26		178010-05960	1	CONTROL, THROTTLE			
27		178012-05960	1	LOCKOUT, THROTTLE			
28		163400-06960	1	SWITCH, IGNITION		Sus. by A440-000330	
28		A440-000330	1	SWITCH, ON OFF			
29		900238-05010	1	SCREW 5*10	5*10		
30		890157-06560	1	LABEL, SWITCH		Disuse	

9. Gear Case, Cutter, Tools



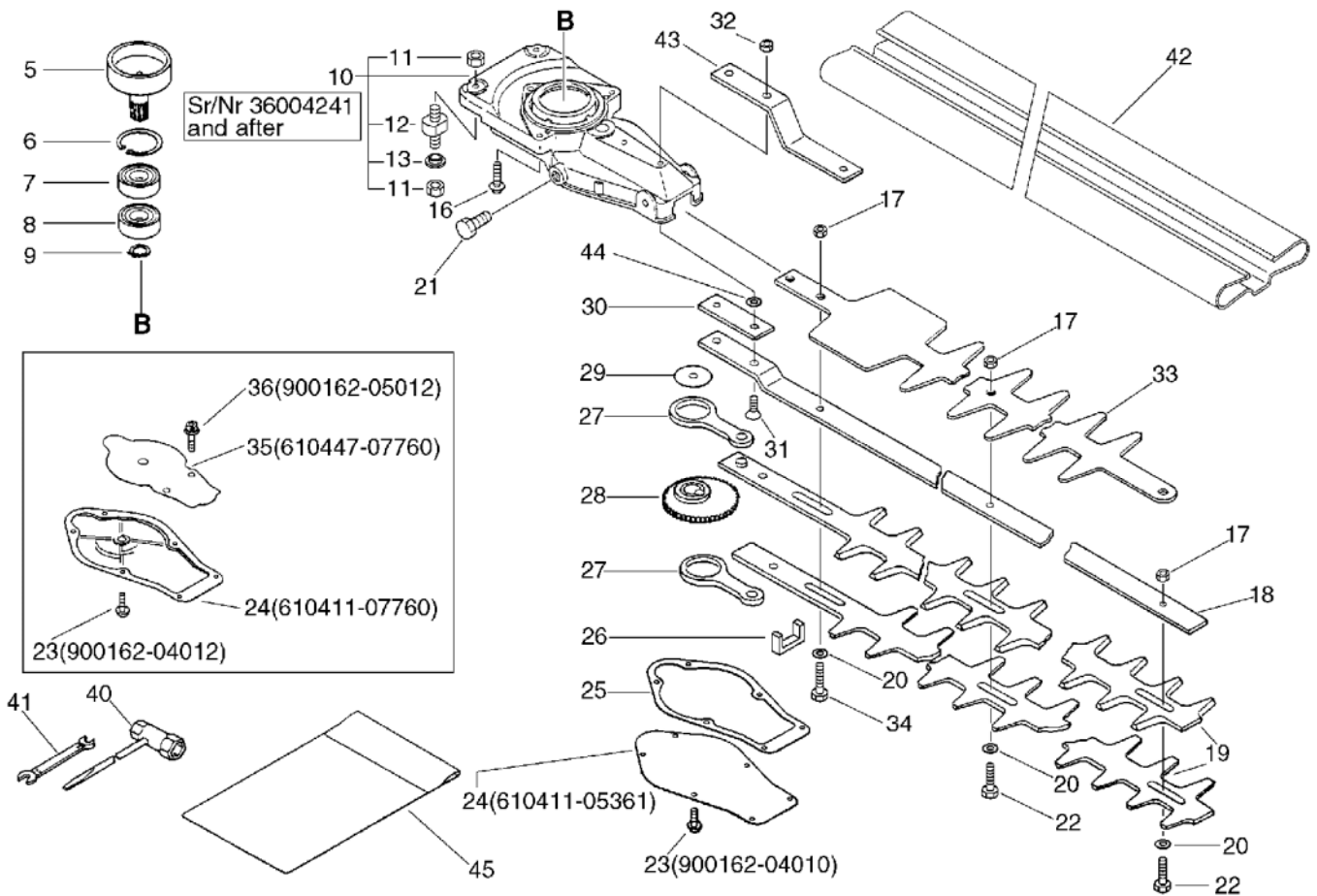
KEY	LV	PART NUMBER	Q'TY	DESCRIPTION	REMARKS	NOTE1	NOTE2
5		175005-04560	1	DRUM, CLUTCH			
6		900702-00035	1	CIRCLIP 35	CR-35		
7		900813-36202	1	BEARING, BALL 6202	6202Z/C3		
8		900810-36202	1	BEARING, BALL 6202	6202/C3		
9		900701-00014	1	CIRCLIP 14	CS-14		
10		610410-07760	1	CASE, GEAR		Sr/Nr 052281 and before	
10		610407-07760	1	CASE, GEAR		Sr/Nr 052282 to 36004240	
10		P021-009900	1	CASE, GEAR ASY		Sr/Nr 36004241 and after	
11	+	900562-00005	4	NUT, LOCK	5	Can be used on the P021-009900 only	
12	+	V401-000130	2	CUSHION,5		Can be used on the P021-009900 only	
13	+	V353-000210	2	COLLAR,5	5.5*8*L3.5	Can be used on the P021-009900 only	
16		900162-05025	3	BOLT, H.S. 5*25	5*25 W,SW		
17		433022-06460	5	NUT			
18		699110-06561	1	SUPPORT, CUTTER		Sus. by 699110-06561	
18		X425-000090	1	SUPPORT,CUTTER	L=789 THK=4.5	Sus. by 699110-06561	

9. Gear Case, Cutter, Tools



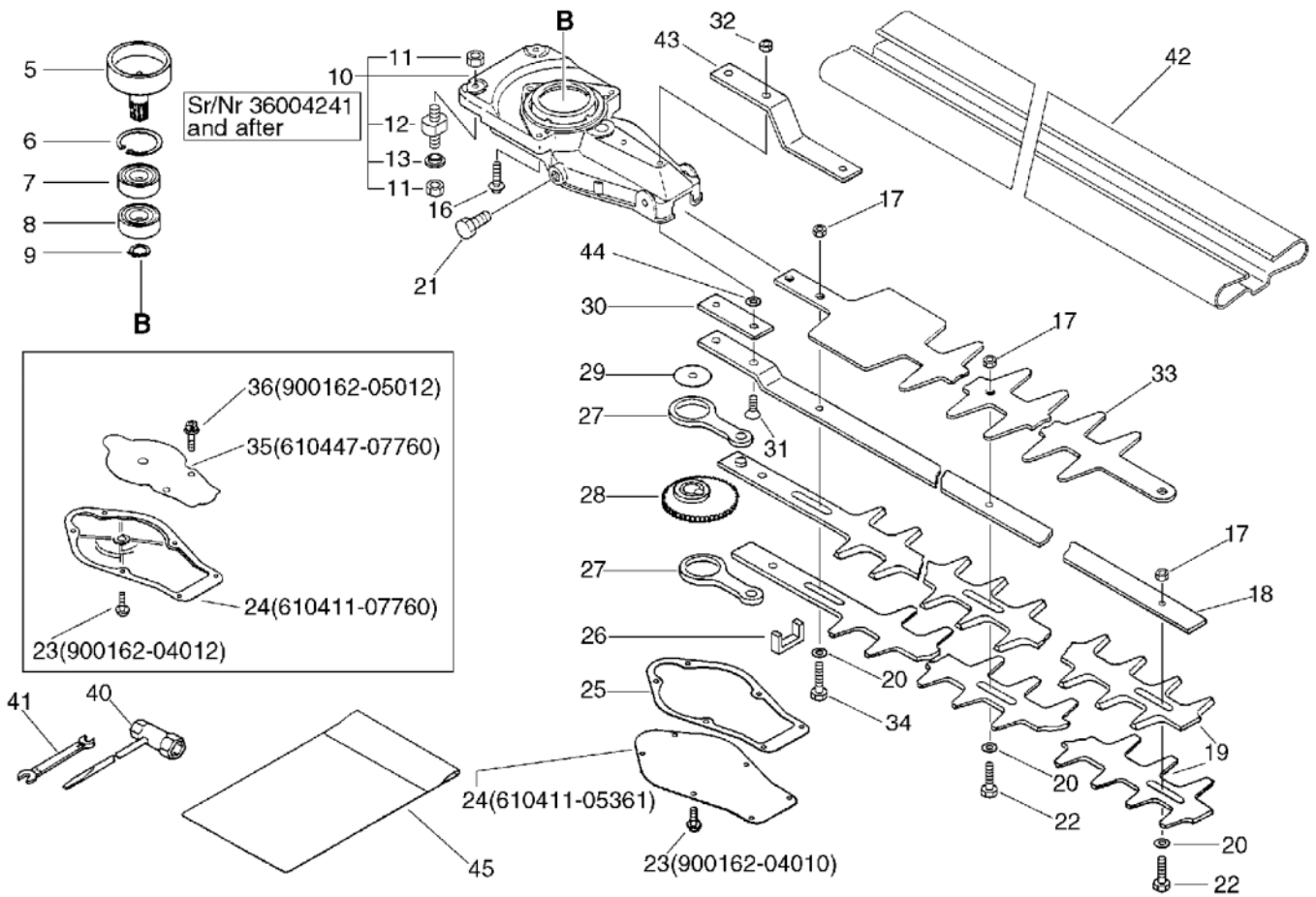
KEY	LV	PART NUMBER	Q'TY	DESCRIPTION	REMARKS	NOTE1	NOTE2
18		699110-06561	1	SUPPORT, CUTTER			
19		697005-06560	2	CUTTER		Sus. by X411-000340	
19		X411-000110	2	CUTTER		Sus. by X411-000340	
19		X411-000340	2	CUTTER	L=755		
20		699118-04560	5	WASHER			
21		610434-50030	1	BOLT 8* 6		Sr/Nr 3501000 and before	
21		900100-08008	1	BOLT 8*8	8*8	Sr/Nr 3501001 and after	
22		699115-04660	5	BOLT 6	6*18L	Sr/Nr 037961 and before	
22		699115-04660	4	BOLT 6	6*18L	Sr/Nr 037962 and after	
23		900162-04010	6	BOLT, H.S. 4*10	4*10 W,SW	Sr/Nr 052281 and before	
23		900162-04012	6	BOLT, H.S. 4*12	4*12 W,SW	Sr/Nr 052282 and after	
24		610411-05361	1	LID, GEARCASE		Sr/Nr 052281 and before	
24		610411-07760	1	LID, GEAR CASE		Sr/Nr 052282 and after	
25		610414-05360	1	GASKET, GEAR HOUSING			
26		610425-04560	1	SEAL			

9. Gear Case, Cutter, Tools



KEY	LV	PART NUMBER	Q'TY	DESCRIPTION	REMARKS	NOTE1	NOTE2
27		610330-04560	2	ROD, CONNECTING		Sus. by C532-000120	
27		610330-04561	2	ROD, CONNECTING		Sus. by C532-000120	
27		C532-000120	2	ROD, CONNECTING			
28		610312-04560	1	GEAR			
29		610350-04560	1	WASHER			
30		699118-07760	1	PLATE, EYE			
31		900212-06025	2	SCREW 6*25	+SF6*25		
32		900500-00006	2	NUT 6	6	Sr/Nr 36006200 and before	
32		900502-00006	2	NUT 6 (3N)	3N6	Sr/Nr 36006201 and after	
33		699125-06560	1	BLUNT	539L	Sr/Nr 037962 and after	
34		699115-06960	1	BOLT, CUTTER		Sr/Nr 037962 and after	
35		610447-07760	1	PLATE,CASE LID		Sr/Nr 052282 and after	
36		900162-05012	2	BOLT, H.S. 5*12	5*12 W,SW	Sr/Nr 052282 and after	
40		895410-00430	1	WRENCH, W/S. DRIVER			
41		895112-00330	1	SPANNER 8*10			
42		898523-02160	1	SCABBARD, BLADE		Sr/Nr 037962 and after	
43		699120-06560	1	PLATE, ANGLE			

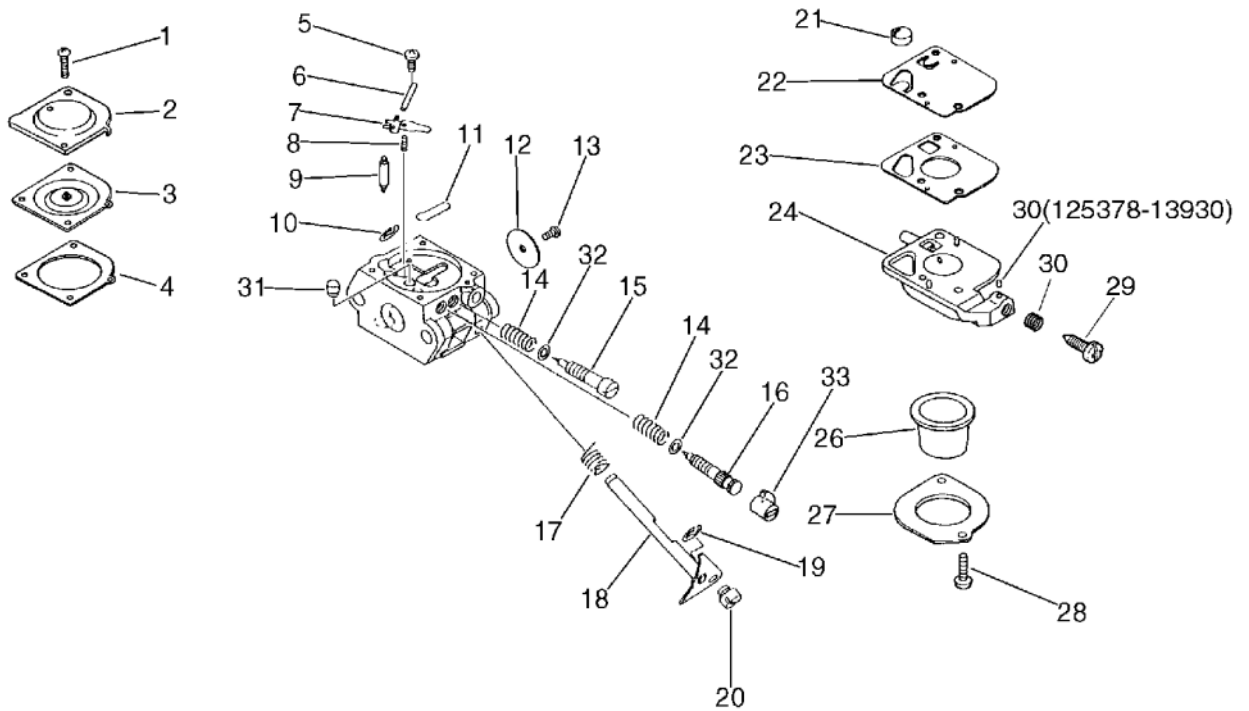
9. Gear Case, Cutter, Tools



KEY	LV	PART NUMBER	Q'TY	DESCRIPTION	REMARKS	NOTE1	NOTE2
44		900603-00006	2	WASHER 6	6.5*13*1	Sr/Nr 037962 and after	
45		898510-39130	1	BAG, TOOL			

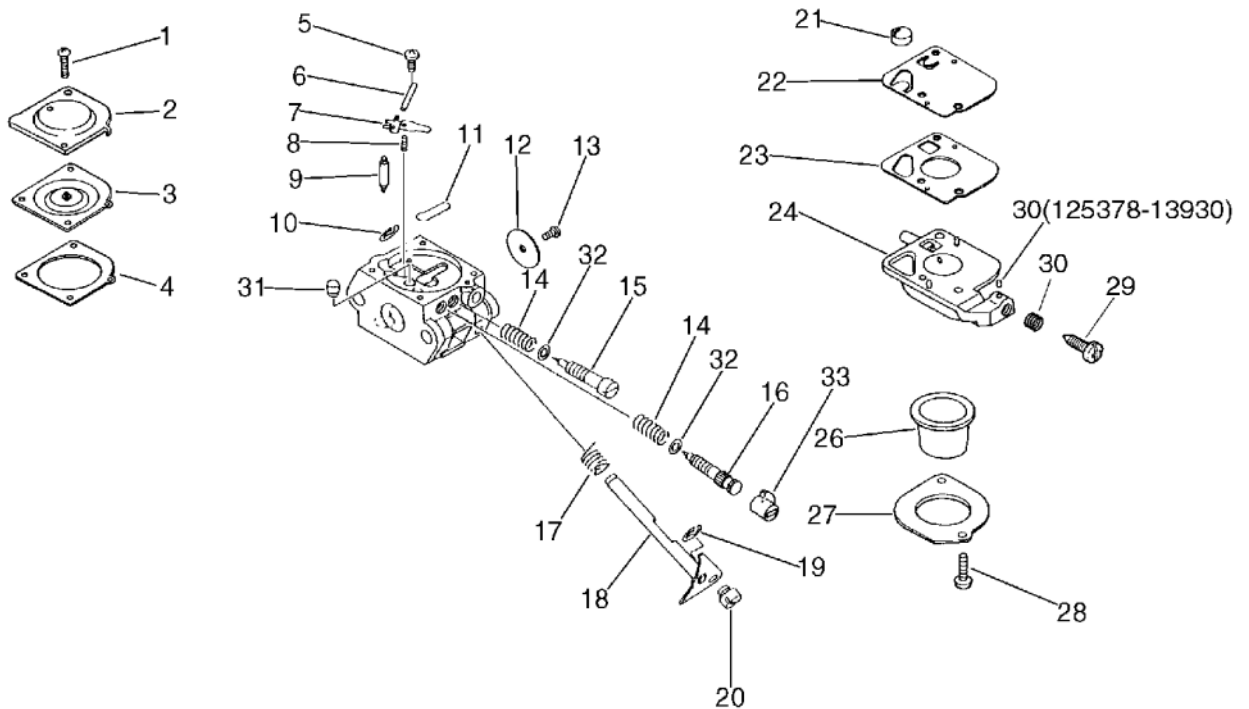


10. Carburetor(Sr/Nr 028000 to 047406)



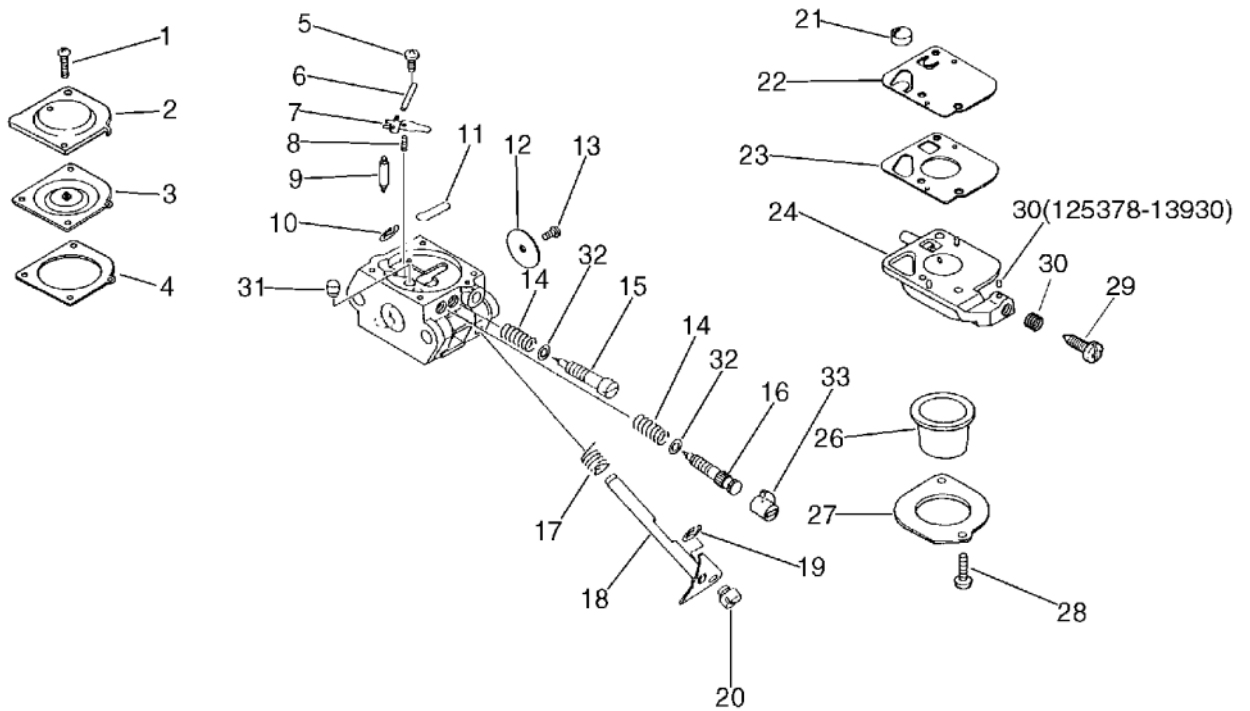
KEY	LV	PART NUMBER	Q'TY	DESCRIPTION	REMARKS	NOTE1	NOTE2
		125200-07760	1	CARBURETOR ASSY	C1U-K35A	Sus. by 125200-07761	
		125200-07761	1	CARBURETOR	C1U-K35A	Sr/Nr 028000 to 047406	
1	+	125344-52130	2	SCREW			
2	+	125342-52130	1	COVER, DIAPHRAGM		Sus. by 125342-13210	
2	+	125342-13210	1	COVER, DIAPHRAGM			
3	+	125341-42030	1	DIAPHRAGM			
4	+	125340-51030	1	GASKET, DIAPHRAGM			
5	+	125339-42030	1	SCREW			
6	+	125338-13930	1	PIN, METERING ARM			
7	+	125323-42030	1	LEVER, METERING			
8	+	125322-42030	1	SPRING, COIL			
9	+	125337-06960	1	VALVE, INLET NEEDLE			
10	+	125327-15130	1	CLIP			
11	+	125345-15130	1	PLUG, WELCH			
12	+	125316-42030	1	VALVE, THROTTLE			
13	+	125314-13930	1	SCREW	3*4		
14	+	125319-42030	2	SPRING, COIL			
15	+	125318-42030	1	NEEDLE, IDLE			
16	+	125320-07760	1	NEEDLE, HIGH SPEED			
17	+	125313-42030	1	SPRING, THRT. RETURN			
18	+	125317-42030	1	SHAFT, THROTTLE			
19	+	125327-13930	1	CLIP			
20	+	125372-42030	1	SWIVEL			

10. Carburetor(Sr/Nr 028000 to 047406)



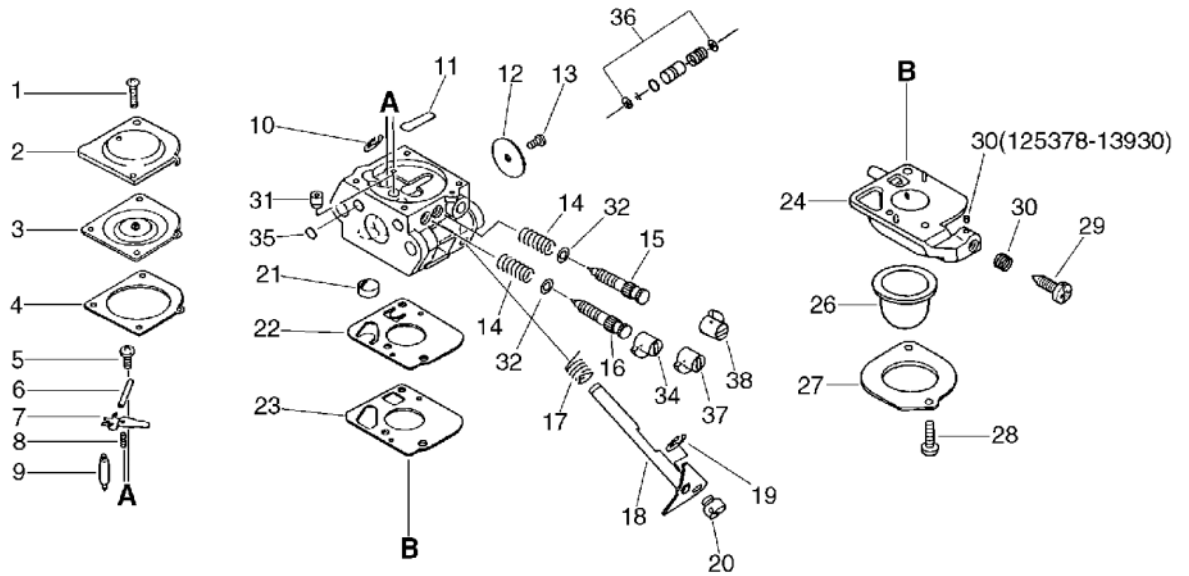
KEY	LV	PART NUMBER	Q'TY	DESCRIPTION	REMARKS	NOTE1	NOTE2
21	+	125326-42030	1	STRAINER			
22	+	125312-42030	1	DIAPHRAGM, FUEL PUMP		Can be used on the125200-07760 only	
22	+	125312-12820	1	DIAPHRAGM, FUEL PUMP		Can be used on the125200-07761 only	
23	+	125325-42030	1	GASKET, FUEL PUMP		Sus. by 125325-13310	
23	+	125325-13310	1	GASKET, PUMP			
24	+	125324-11610	1	COVER, PUMP		Can be used on the125200-07760 only	
24	+	125383-13310	1	BASE, PRIMER		Can be used on the125200-07761 only	
26	+	125381-46730	1	PUMP, PRIMING		Sus. by 125381-08660	
26	+	125381-08660	1	PUMP, PRIMING			
27	+	125363-11610	1	RING			
28	+	125310-11610	2	SCREW			
29	+	125334-13930	1	SCREW, IDLE ADJUST		Can be used on the125200-07760 only	

10. Carburetor(Sr/Nr 028000 to 047406)



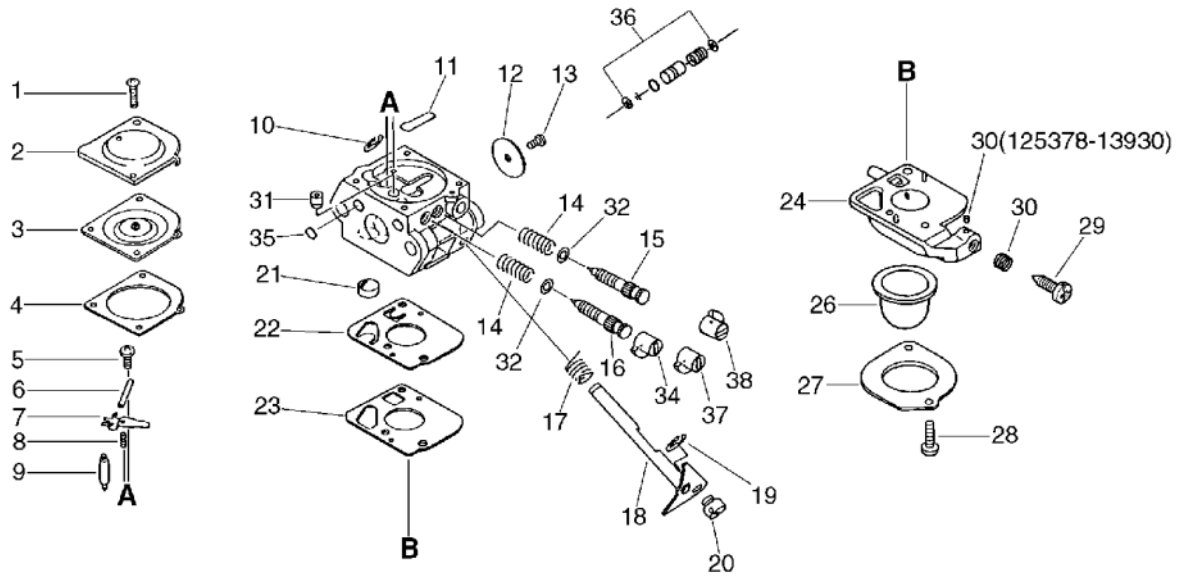
KEY	LV	PART NUMBER	Q'TY	DESCRIPTION	REMARKS	NOTE1	NOTE2
29	+	125344-08560	1	SCREW		Can be used on the125200-07761 only	
30	+	125378-13930	1	PIECE, FRICTION		Can be used on the125200-07760 only	
30	+	125333-08560	1	SPRING,ADJUST SCREW		Can be used on the125200-07761 only	
31	+	125376-07760	1	NOZZLE, CHECK VALVE			
32	+	125353-20560	2	WASHER			
33	+	125329-08960	1	LIMITER, MIXTURE			

11. Carburetor(Sr/Nr 047407 and after)



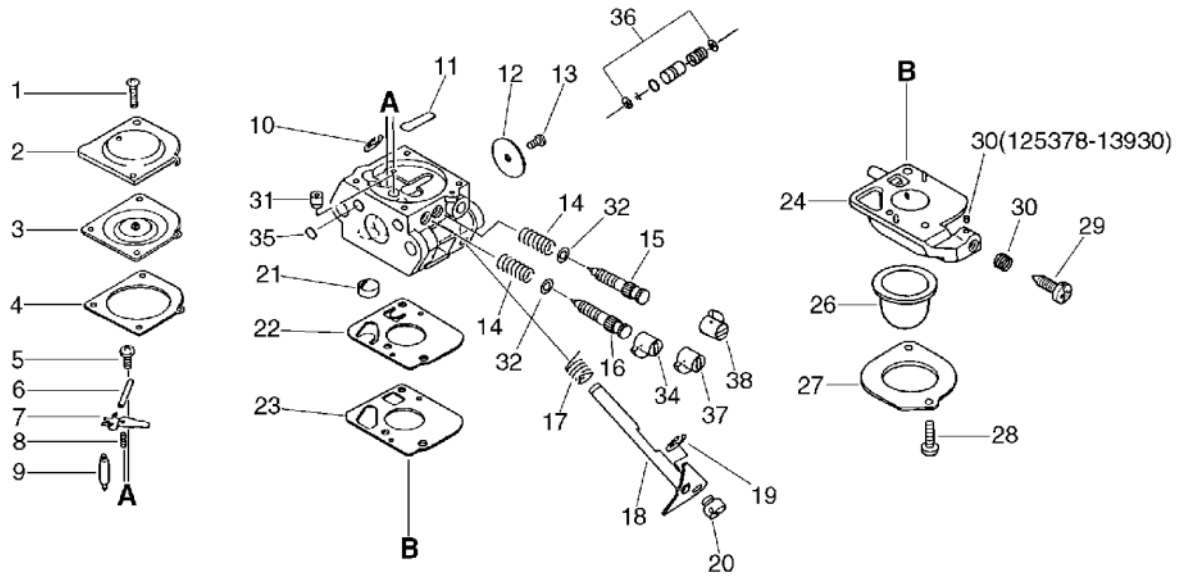
KEY	LV	PART NUMBER	Q'TY	DESCRIPTION	REMARKS	NOTE1	NOTE2
		125200-08460	1	CARBURETOR ASSY	C1U-K45	Sus. by 125200-05964	
		125200-05961	1	CARBURETOR C1U-K51	C1U-K51	Sus. by 125200-05964	
		125200-05962	1	CARBURETOR	C1U-K51	Sus. by 125200-05964	
		125200-05963	1	CARBURETOR C1U-K51	C1U-K51	Sus. by 125200-05964	
		125200-05964	1	CARBURETOR	C1U-K51	Sr/Nr 047407 and after	
1	+	125344-52130	2	SCREW			
2	+	125342-13210	1	COVER, DIAPHRAGM		Sus. by 125342-52130	
2	+	125342-52130	1	COVER, DIAPHRAGM			
3	+	125341-42030	1	DIAPHRAGM		Sr/Nr 047407 to 060592	
3	+	125341-49030	1	DIAPHRAGM		Sr/Nr 060593 and after	
4	+	125340-51030	1	GASKET, DIAPHRAGM			
5	+	125339-42030	1	SCREW			
6	+	125338-13930	1	PIN, METERING ARM			
7	+	125323-42030	1	LEVER, METERING			
8	+	125322-42030	1	SPRING, COIL			
9	+	125337-06960	1	VALVE, INLET NEEDLE			
10	+	125327-15130	1	CLIP			
11	+	125345-15130	1	PLUG, WELCH			

11. Carburetor(Sr/Nr 047407 and after)



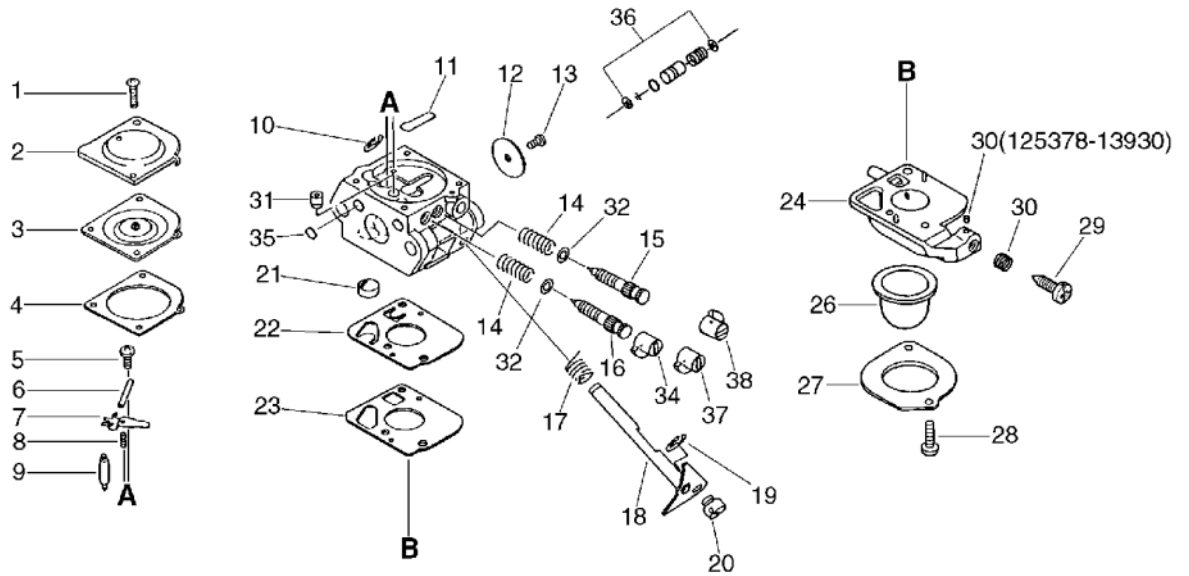
KEY	LV	PART NUMBER	Q'TY	DESCRIPTION	REMARKS	NOTE1	NOTE2
12	+	125316-49030	1	VALVE, THROTTLE			
13	+	125314-13930	1	SCREW	3*4		
14	+	125319-42030	2	SPRING, COIL		Sr/Nr 047407 to 060592	
15	+	125318-07360	1	NEEDLE, IDLE		Sr/Nr 047407 to 060592	
15	+	125318-13120	1	SCREW, IDLE NEEDLE		Sr/Nr 060593 and after	
16	+	125320-07360	1	NEEDLE, HIGH SPEED		Sr/Nr 047407 to 060592	
16	+	125320-13310	1	NEEDLE, HIGH SPEED		Sr/Nr 060593 and after	
17	+	125313-42030	1	SPRING, THRT. RETURN			
18	+	125317-49030	1	SHAFT, THROTTLE		Sr/Nr 047407 to 060592	
18	+	125317-13310	1	SHAFT, THROTTLE		Sr/Nr 060593 and after	
19	+	125327-13930	1	CLIP			
20	+	125372-42030	1	SWIVEL			
21	+	125326-42030	1	STRAINER			
22	+	125312-49030	1	DIAPHRAGM, FUEL PUMP		Can be used on the 125200-08460 only	

11. Carburetor(Sr/Nr 047407 and after)



KEY	LV	PART NUMBER	Q'TY	DESCRIPTION	REMARKS	NOTE1	NOTE2
22	+	125312-12820	1	DIAPHRAGM, FUEL PUMP		Can be used on 125200-05961 and 125200-05962	
23	+	125325-42030	1	GASKET, FUEL PUMP		Sus. by 125325- 13310	
23	+	125325-13310	1	GASKET, PUMP			
24	+	125324-11610	1	COVER, PUMP		Sus. by P005- 000590	
24	+	125383-13310	1	BASE, PRIMER		Sus. by P005- 000590	
24	+	P005-000590	1	BASE,ASY PRIMER			
26	+	125381-46730	1	PUMP, PRIMING		Sus. by 125381- 08660	
26	+	125381-08660	1	PUMP, PRIMING			
27	+	125363-11610	1	RING			
28	+	125310-11610	2	SCREW			
29	+	125334-13930	1	SCREW, IDLE ADJUST		Sr/Nr 065970 and before	
29	+	125334-06960	1	SCREW, THROTTLE ADJUST		Sr/Nr 065971 and after	
30	+	125378-13930	1	PIECE, FRICTION		Sr/Nr 065970 and before	
30	+	125333-06960	1	SPRING, IDLE ADJUSTER		Sr/Nr 065971 and after	

11. Carburetor(Sr/Nr 047407 and after)



KEY	LV	PART NUMBER	Q'TY	DESCRIPTION	REMARKS	NOTE1	NOTE2
31	+	125376-49030	1	NOZZLE, CHACK VALVE		Can be used on the 125200-08460 only	
31	+	125376-13120	1	NOZZLE, CHECK VALVE		Can be used on 125200-05961 and 125200-05962	
32	+	125353-20560	2	WASHER		Sr/Nr 047407 to 060592	
34	+	125329-39030	1	LIMITER, MIXTURE		Sr/Nr 35999999 and before	
35	+	125345-13310	1	PLUG, WELCH		Sr/Nr 060593 and after	
36	+	125306-13310	1	PUMP KIT, ACC.		Sr/Nr 060593 and after	
37		A259-000030	1	CAP,LIMITER		Sr/Nr 36001001 and after	
38		125329-09860	1	LIMITER, MIXTURE		Sr/Nr 36001001 and after	
		125303-13310	1	DIAPHRAGM/GASKET KIT			
		125300-13310	1	REBUILD KIT			

12. Repair Kit

KEY	LV	PART NUMBER	Q'TY	DESCRIPTION	REMARKS	NOTE1	NOTE2
		125303-13310	1	DIAPHRAGM/GASKET KIT			
8-3	+	125341-49030	1	DIAPHRAGM			
8-4	+	125340-51030	1	GASKET, DIAPHRAGM			
8-23	+	125325-13310	1	GASKET, PUMP			
	+	125312-42030	1	DIAPHRAGM, FUEL PUMP			
		125300-13310	1	REBUILD KIT			
7-22	+	125312-42030	1	DIAPHRAGM, FUEL PUMP			
7-23	+	125325-13310	1	GASKET, PUMP			
8-3	+	125341-49030	1	DIAPHRAGM			
8-4	+	125340-51030	1	GASKET, DIAPHRAGM			
8-6	+	125338-13930	1	PIN, METERING ARM			
8-7	+	125323-42030	1	LEVER, METERING			
8-8	+	125322-42030	1	SPRING, COIL			
8-9	+	125337-06960	1	VALVE, INLET NEEDLE			
8-11	+	125345-15130	1	PLUG, WELCH			
8-21	+	125326-42030	1	STRAINER			



**Index**

<b>Patrs Number</b>	<b>Key No.</b>	<b>Patrs Number</b>	<b>Key No.</b>	<b>Patrs Number</b>	<b>Key No.</b>
100000-06961	1 - 11	125200-07761	5 - 10	125326-42030	12 - 8-21
100000-06962	1 - 11	125200-08460	11 -	125327-13930	10 - 19
100000-07760	1 - 11	125200-08460	5 - 10	125327-13930	11 - 19
100000-11520	1 - 11	125300-13310	11 -	125327-15130	10 - 10
100011-05330	1 - 14	125300-13310	12 -	125327-15130	11 - 10
100013-11520	1 - 16	125303-13310	11 -	125329-08960	10 - 33
100013-11520	2 - 16	125303-13310	12 -	125329-09860	11 - 38
100014-08960	1 - 13	125306-13310	11 - 36	125329-39030	11 - 34
100014-08960	2 - 13	125310-11610	10 - 28	125333-06960	11 - 30
100014-11520	1 - 13	125310-11610	11 - 28	125333-08560	10 - 30
100015-04630	1 - 15	125312-12820	10 - 22	125334-06960	11 - 29
100015-04630	2 - 15	125312-12820	11 - 22	125334-13930	10 - 29
100100-05962	1 - 10	125312-42030	10 - 22	125334-13930	11 - 29
100100-07760	1 - 10	125312-42030	12 -	125337-06960	10 - 9
100100-09760	1 - 10	125312-42030	12 - 7-22	125337-06960	11 - 9
100113-05930	1 - 12	125312-49030	11 - 22	125337-06960	12 - 8-9
100113-05930	2 - 12	125313-42030	10 - 17	125338-13930	10 - 6
100204-51030	1 - 4	125313-42030	11 - 17	125338-13930	11 - 6
100204-52130	1 - 4	125314-13930	10 - 13	125338-13930	12 - 8-6
100204-52131	1 - 4	125314-13930	11 - 13	125339-42030	10 - 5
100204-52132	1 - 4	125316-42030	10 - 12	125339-42030	11 - 5
100204-52132	2 - 4	125316-49030	11 - 12	125340-51030	10 - 4
100212-42030	1 - 5	125317-13310	11 - 18	125340-51030	11 - 4
100212-42031	1 - 5	125317-42030	10 - 18	125340-51030	12 - 8-4
100212-42031	2 - 5	125317-49030	11 - 18	125340-51030	12 - 8-4
100215-03930	1 - 8	125318-07360	11 - 15	125341-42030	10 - 3
100215-03930	2 - 8	125318-13120	11 - 15	125341-42030	11 - 3
100242-42030	1 - 7	125318-42030	10 - 15	125341-49030	11 - 3
100242-42030	2 - 7	125319-42030	10 - 14	125341-49030	12 - 8-3
101010-44331	1 - 18	125319-42030	11 - 14	125341-49030	12 - 8-3
101010-44332	1 - 18	125320-07360	11 - 16	125342-13210	10 - 2
101010-44332	2 - 18	125320-07760	10 - 16	125342-13210	11 - 2
101011-06560	1 - 19	125320-13310	11 - 16	125342-52130	10 - 2
101011-06561	1 - 19	125322-42030	10 - 8	125342-52130	11 - 2
101011-06562	1 - 19	125322-42030	11 - 8	125344-08560	10 - 29
101011-45230	1 - 19	125322-42030	12 - 8-8	125344-52130	10 - 1
101514-08960	1 - 25	125323-42030	10 - 7	125344-52130	11 - 1
125200-05961	11 -	125323-42030	11 - 7	125345-13310	11 - 35
125200-05961	5 - 10	125323-42030	12 - 8-7	125345-15130	10 - 11
125200-05962	11 -	125324-11610	10 - 24	125345-15130	11 - 11
125200-05962	5 - 10	125324-11610	11 - 24	125345-15130	12 - 8-11
125200-05963	11 -	125325-13310	10 - 23	125353-20560	10 - 32
125200-05963	5 - 10	125325-13310	11 - 23	125353-20560	11 - 32
125200-05964	11 -	125325-13310	12 - 8-23	125363-11610	10 - 27
125200-05964	5 - 10	125325-13310	12 - 7-23	125363-11610	11 - 27
125200-05964	6 - 10	125325-42030	10 - 23	125372-42030	10 - 20
125200-07760	10 -	125325-42030	11 - 23	125372-42030	11 - 20
125200-07760	5 - 10	125326-42030	10 - 21	125376-07760	10 - 31
125200-07761	10 -	125326-42030	11 - 21	125376-13120	11 - 31

**Index**

<b>Patrs Number</b>	<b>Key No.</b>	<b>Patrs Number</b>	<b>Key No.</b>	<b>Patrs Number</b>	<b>Key No.</b>
125376-49030	11 - 31	145876-42030	5 - 33	177220-42030	4 - 9
125378-13930	10 - 30	145876-42030	6 - 33	177226-05960	3 - 13
125378-13930	11 - 30	156110-04920	3 - 31	177226-05960	4 - 13
125381-08660	10 - 26	156110-04920	4 - 31	177227-42030	3 - 14
125381-08660	11 - 26	156601-44730	3 - 25	177227-42030	4 - 14
125381-46730	10 - 26	156601-44731	3 - 25	177228-06530	3 - 15
125381-46730	11 - 26	156601-52130	3 - 25	177228-06530	4 - 15
125383-13310	10 - 24	156601-52130	4 - 25	177234-05960	3 - 20
125383-13310	11 - 24	156626-09660	3 - 25	177236-44330	3 - 12
129011-12620	5 - 16	156626-52730	3 - 25	177236-44330	4 - 12
129011-52730	5 - 16	156801-09660	3 - 23	178001-06960	8 - 24
129011-52730	6 - 16	156801-12360	3 - 23	178010-05960	8 - 26
130010-42032	5 - 5	156801-44730	3 - 23	178012-05960	8 - 27
130010-42032	6 - 5	156801-44731	3 - 23	178013-35631	8 - 25
130016-42031	5 - 9	159011-03432	3 - 29	178127-06960	8 - 21
130016-42031	6 - 9	159011-03432	4 - 29	210417-52730	5 - 20
130017-42031	5 - 7	159012-01620	3 - 30	210417-52730	6 - 20
130017-42031	6 - 7	159012-01620	4 - 30	351110-06960	8 - 12B
130307-06561	5 - 14	159017-10230	3 - 28	351110-06961	8 - 12B
130310-54130	5 - 18	159017-10230	4 - 28	351129-06960	8 - 12A
130310-54130	6 - 18	162010-52830	3 - 26	351129-06961	8 - 12A
130313-05863	6 - 19	162010-52830	4 - 26	351228-06960	8 - 15
130313-06561	5 - 19	162021-52130	3 - 26	351228-06960	8 - 15
130313-06563	5 - 19	163400-06960	8 - 28	351241-01260	8 - 16
131002-08960	7 - 10	175000-02962	3 - 45	351241-01260	8 - 16
131002-08961	7 - 10	175000-02962	4 - 45	351242-06960	8 - 17
131004-06560	7 - 17	175005-04560	9 - 5	351242-06961	8 - 17
131004-08960	7 - 17	175009-05131	3 - 43	351249-06960	8 - 20
131016-40930	7 - 18	175009-05131	4 - 43	351610-05360	8 - 5
131016-55830	7 - 18	175014-05360	3 - 40	351611-05360	8 - 8
131051-52430	7 - 20	175014-05360	4 - 40	433022-06460	9 - 17
131205-07320	7 - 15	175016-07330	3 - 44	610312-04560	9 - 28
131300-40630	7 - 5	175016-07330	4 - 44	610330-04560	9 - 27
131300-56430	7 - 5	175018-05960	3 - 42	610330-04561	9 - 27
131920-28230	3 - 46	175018-05960	4 - 42	610350-04560	9 - 29
131920-28230	4 - 46	175019-04920	3 - 41	610407-07760	9 - 10
132010-02160	7 - 12	175019-04920	4 - 41	610410-07760	9 - 10
132010-06460	7 - 11	175055-06960	3 - 47	610411-05361	9 - 24
132010-21160	7 - 6	175055-06960	4 - 47	610411-07760	9 - 24
132115-01461	7 - 7	177200-05962	3 - 7	610414-05360	9 - 25
132115-44330	7 - 13	177200-07162	4 - 7	610425-04560	9 - 26
132717-06460	7 - 11	177202-07360	3 - 18	610434-50030	9 - 21
145510-42031	5 - 30	177202-07361	3 - 18	610447-07760	9 - 35
145631-42030	5 - 29	177202-07361	4 - 18	697005-06560	9 - 19
145631-42030	6 - 29	177215-05960	3 - 10	699110-06561	9 - 18
145802-08960	5 - 28	177215-05960	4 - 10	699110-06561	9 - 18
145863-08960	5 - 34	177218-44330	3 - 19	699115-04660	9 - 22
145866-42031	5 - 32	177218-44330	4 - 19	699115-04660	9 - 22
145871-44331	5 - 29	177220-42030	3 - 9	699115-06960	9 - 34

**Index**

<b>Patrs Number</b>	<b>Key No.</b>	<b>Patrs Number</b>	<b>Key No.</b>	<b>Patrs Number</b>	<b>Key No.</b>
699118-04560	9 - 20	900238-05020	5 - 8	A259-000030	11 - 37
699118-07760	9 - 30	900238-05020	6 - 8	A313-000010	5 - 34
699120-06560	9 - 43	900242-04010	5 - 35	A313-000010	6 - 34
699125-06560	9 - 33	900242-04010	6 - 35	A320-000250	5 - 29
890115-06961	3 - 5	900242-05064	8 - 11	A320-000251	5 - 29
890115-06962	3 - 5	900242-05065	5 - 17	A320-000251	6 - 28
890115-06962	4 - 5	900242-05065	6 - 17	A409-000000	3 - 23
890118-49130	3 - 5	900243-05016	7 - 8	A409-000000	4 - 23
890121-05360	5 - 21	900253-04025	8 - 13	A440-000330	8 - 28
890121-05360	6 - 21	900500-00005	5 - 6	C532-000120	9 - 27
890157-06560	8 - 30	900500-00005	6 - 6	P005-000590	11 - 24
890617-07660	3 - 6	900500-00005	8 - 7	P021-000400	1 - 11
890617-07660	4 - 6	900500-00005	8 - 14	P021-001110	1 - 11
890617-12620	3 - 6	900500-00006	8 - 6	P021-001111	1 - 11
890630-06960	3 - 6	900500-00006	9 - 32	P021-001112	1 - 11
895112-00330	9 - 41	900502-00006	8 - 22	P021-001113	1 - 11
895410-00430	9 - 40	900502-00006	9 - 32	P021-001113	2 - 11
898510-39130	9 - 45	900512-00008	3 - 16	P021-001330	5 - 28
898523-02160	9 - 42	900512-00008	4 - 16	P021-001331	5 - 28
900100-05035	8 - 10	900528-00005	5 - 20	P021-001332	5 - 28
900100-06035	8 - 9	900562-00005	9 - 11	P021-002921	5 - 14
900100-08008	9 - 21	900600-00005	5 - 37	P021-002921	6 - 14
900105-05055	5 - 36	900600-00005	6 - 37	P021-009900	9 - 10
900105-05055	6 - 36	900600-00006	8 - 23	P022-007980	3 - 20
900162-04010	9 - 23	900600-00008	3 - 17	P022-007980	4 - 20
900162-04012	9 - 23	900600-00008	4 - 17	V103-000111	5 - 9
900162-04016	3 - 4	900603-00005	7 - 9	V104-000000	5 - 32
900162-04016	3 - 48	900603-00006	9 - 44	V104-000001	5 - 32
900162-04016	4 - 4	900605-00005	8 - 18	V104-000002	5 - 32
900162-04016	4 - 48	900605-00005	8 - 18	V104-000003	5 - 32
900162-04022	1 - 26	900701-00014	9 - 9	V104-000003	6 - 32
900162-04022	2 - 26	900702-00035	9 - 6	V104-000160	5 - 30
900162-04022	3 - 24	900810-36201	1 - 9	V104-000160	6 - 30
900162-04022	4 - 24	900810-36202	9 - 8	V306-000150	1 - 17
900162-05012	9 - 36	900813-36202	9 - 7	V306-000150	2 - 17
900162-05022	1 - 20	94035-36201	1 - 9	V353-000210	9 - 13
900162-05022	2 - 20	94035-36201	2 - 9	V401-000130	9 - 12
900162-05025	9 - 16	A011-000010	1 - 10	V471-001180	7 - 6
900162-05028	1 - 6	A011-000011	1 - 10	V475-001900	3 - 32
900162-05028	2 - 6	A011-000012	1 - 10	V475-001900	4 - 32
900163-04016	3 - 4	A011-000013	1 - 10	X411-000110	9 - 19
900163-04016	3 - 48	A011-000014	1 - 10	X411-000340	9 - 19
900212-06025	9 - 31	A011-000014	2 - 10	X425-000090	9 - 18
900220-05040	8 - 19	A101-000000	1 - 14	X502-000260	8 - 1
900220-05040	8 - 19	A101-000000	2 - 14		
900238-04016	3 - 4	A130-000020	1 - 19		
900238-04022	1 - 26	A130-000021	1 - 19		
900238-05010	8 - 29	A130-000021	2 - 19		
900238-05016	7 - 8	A160-000810	2 - 25		

# YAMABIKO CORPORATION

7-2 SUEHIROCHO 1-CHOME, OHME, TOKYO 198-8760, JAPAN  
PHONE: 81-428-32-6118. FAX: 81-428-32-6145.

