

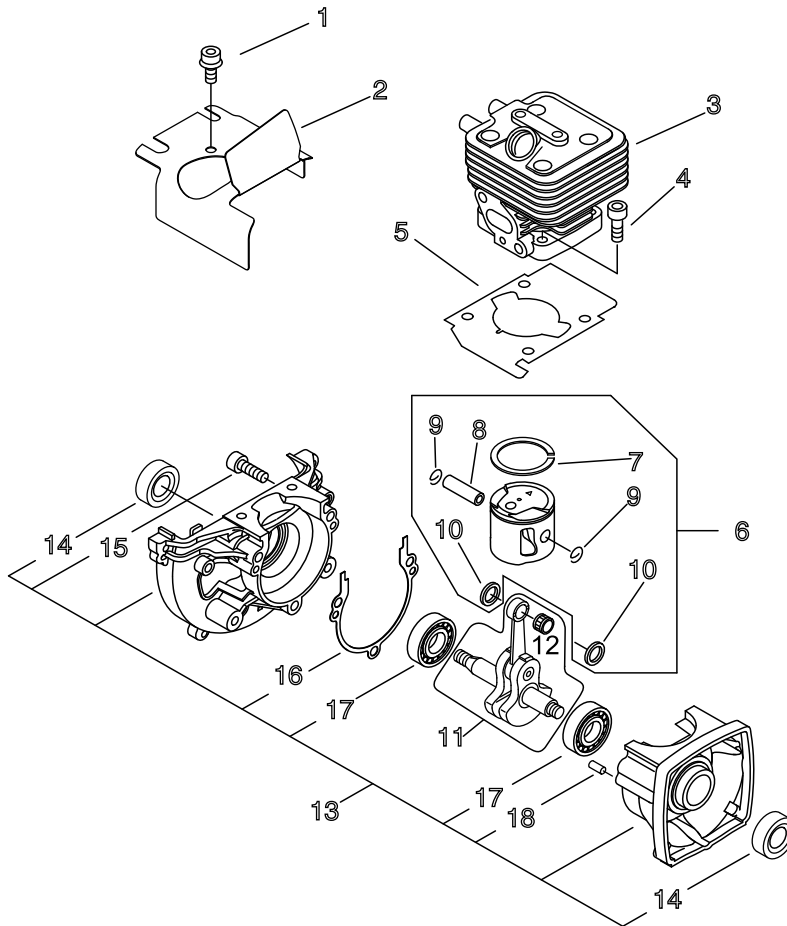


PARTS CATALOGUE

SHRED 'N' VAC ES-255ES(37)

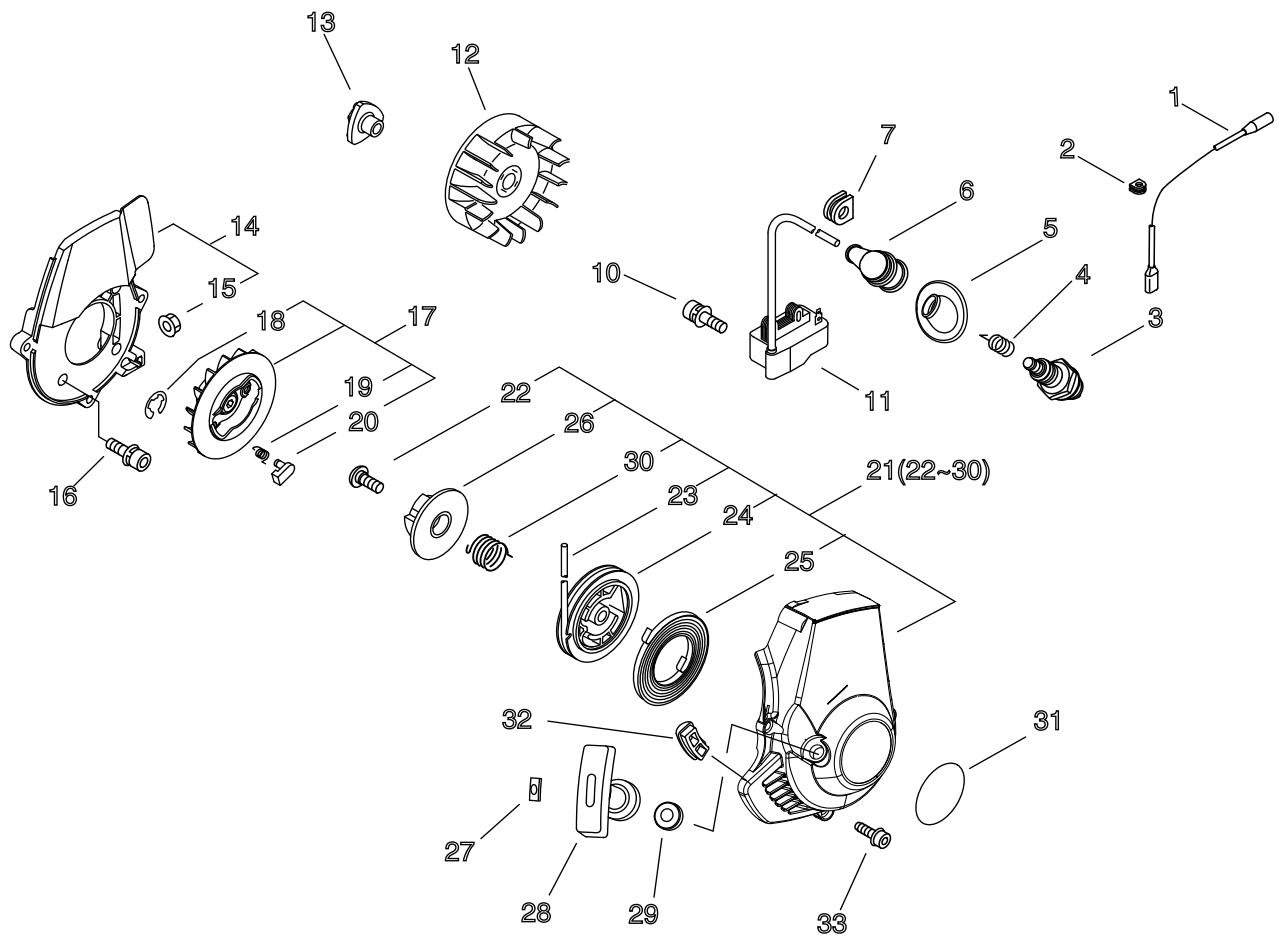
37017625 -

1. CYLINDER, CRANKCASE, PISTON



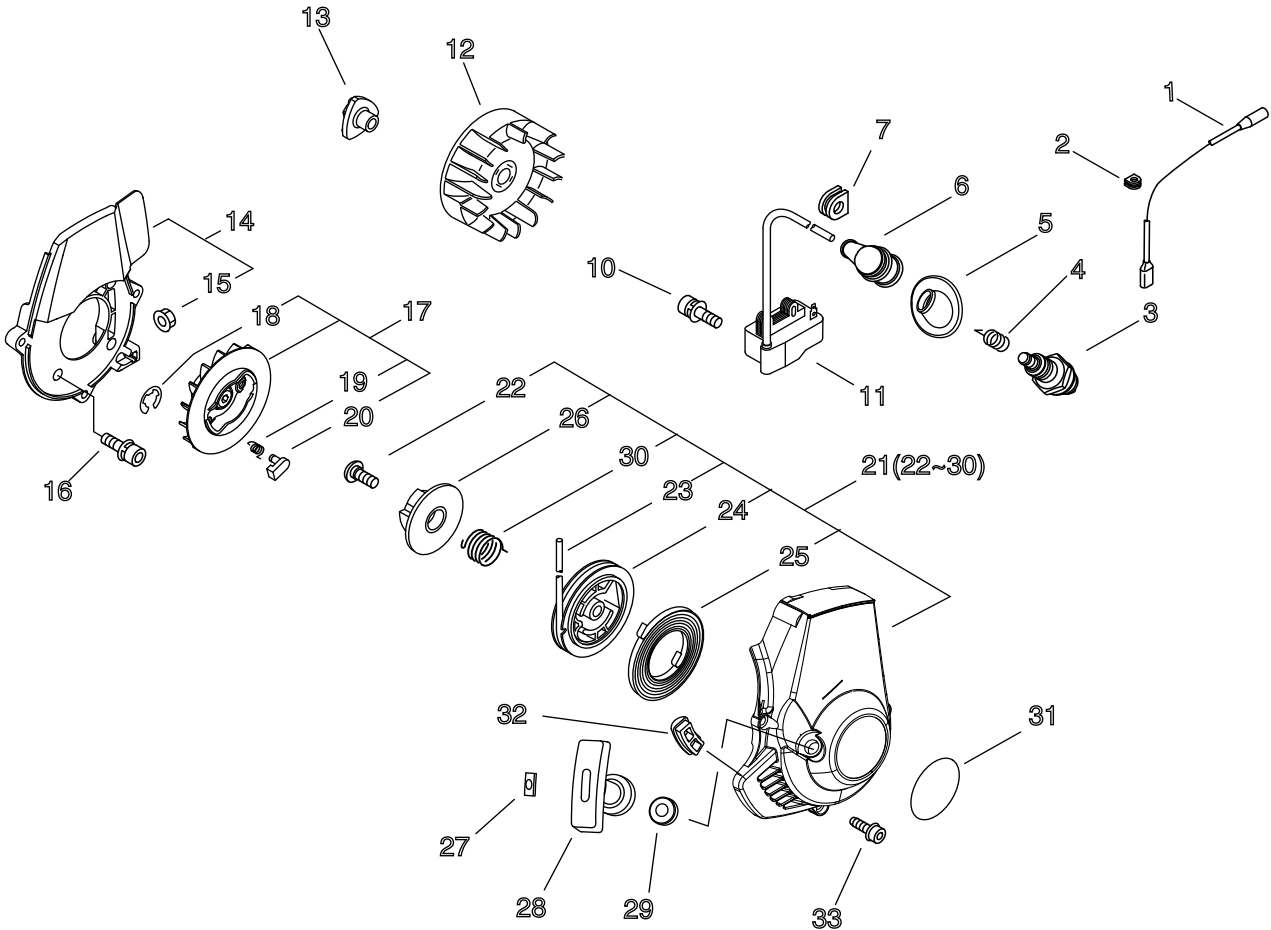
KEY	LV	PART NUMBER	Q'TY	DESCRIPTION	REMARKS	NOTE1	NOTE2
1		900106-05008	2	BOLT, H.S. 5* 8	5*8		
2		A160-000821	1	COVER,CYLINDER			
3		A130-000780	1	CYLINDER			
4		900162-05025	4	BOLT, H.S. 5*25	5*25 W,SW		
5		V100-000190	1	GASKET,CYL			
6		P021-010260	1	PISTON KIT			
7	+	A101-000140	1	RING, PISTON	B1.2 T1.5		
8	+	V606-000000	1	PIN,ENG 8	5*8*28		
9	+	100015-04630	2	CIRCLIP, PISTON PIN			
10	+	100014-11520	2	SPACER, PISTON PIN			
11		A011-000371	1	CRANKSHAFT,ASM			
12	+	V553-000060	1	BEARING,NEEDLE 8	HK0810FMV4		
13		P021-008231	1	CRANKCASE KIT			
14	+	100212-42031	2	OILSEAL	ISCD 12*22*4.5		
15	+	900162-05028	3	BOLT, H.S. 5*28	5*28 W,SW		
16	+	100242-42030	1	GASKET, CRANKCASE			
17	+	94035-36201	2	BEARING BALL	6201X3JR2C3		
18	+	100215-03930	2	PIN, DOWEL			

2. STARTER, MAGNETO



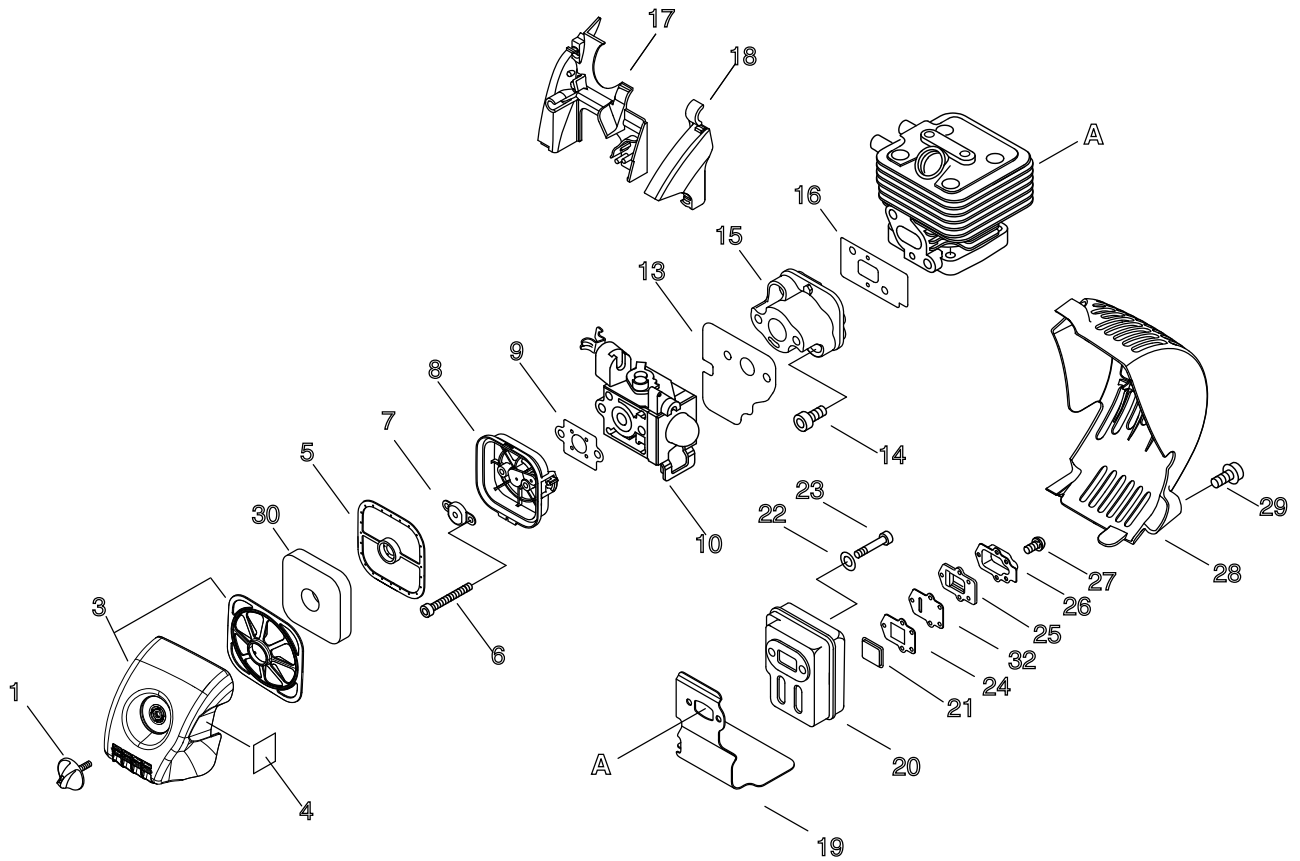
KEY	LV	PART NUMBER	Q'TY	DESCRIPTION	REMARKS	NOTE1	NOTE2
1		V485-000960	1	LEAD			
2		152115-05530	1	BUSHING			
3		A425-000000	1	SPARKPLUG	BPMR8Y		
4		A426-000010	1	TERMINAL,SPARKPLUG			
5		A429-000010	1	COVER,CAP			
6		A427-000013	1	CAP, SPARK PLUG			
7		156110-04920	1	BUSHING			
9		V475-003380	1	TUBE			
10		91113-04020	2	BOLT	CM-4*20 SW,W		
11		A411-000290	1	COIL, IGNITION	EMG-60 ID#C10146		
12		A409-000210	1	ROTOR,MAGNETO			
13		E101-000071	1	HUB,FAN	M8*1.25		
14		P021-013780	1	SPACER			
15	+	V263-000070	1	NUT,5			
16	+	900163-04016	4	BOLT HSH			
17		A052-000250	1	PULLEY,ASM STARTER			
18	+	900700-00004	2	E-RING 4	CE-4		
19	+	V452-000280	2	SPRING,TORSION			
20	+	A514-000070	2	PAWL			
21		A051-001180	1	STARTER,RECOIL ASY			
22	+	177236-61830	1	SCREW			
23	+	P022-008260	1	ROPE	3M/M		
24	+	P022-006830	1	DRUM			
25	+	177220-42030	1	SPRING, REWIND			
26	+	P022-008280	1	PLATE, CAM			

2. STARTER, MAGNETO



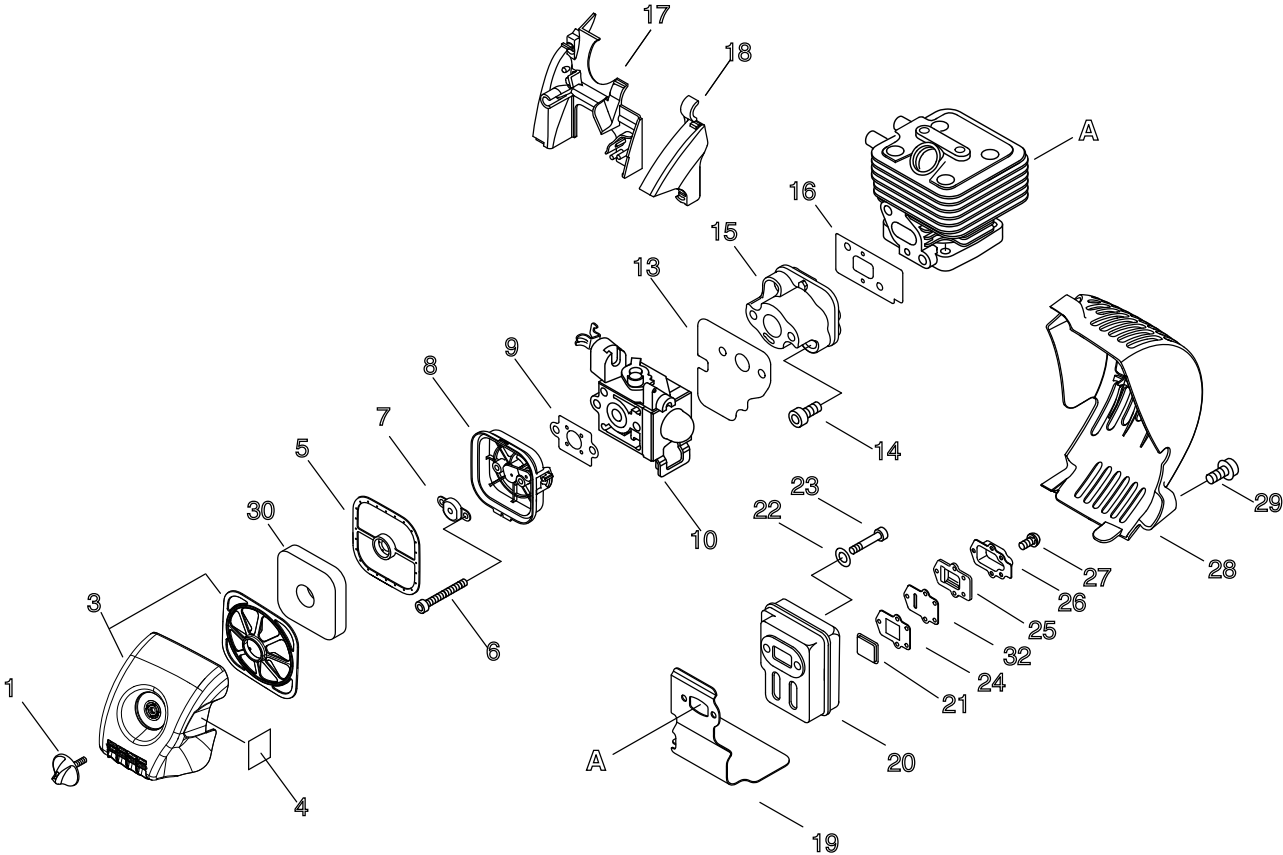
KEY	LV	PART NUMBER	Q'TY	DESCRIPTION	REMARKS	NOTE1	NOTE2
27	+	177246-11120	1	CLIP, STARTER ROPE			
28	+	177228-27030	1	GRIP, STARTER			
29	+	177227-42030	1	GUIDE, ROPE			
30	+	P022-008270	1	SPRING,DAMPER			
31		X502-000330	1	LABEL,ECHO	ECHO		
32		V420-001440	1	CUSHION			
33		900106-05014	3	BOLT, H.S. 5*14	5*14		

3. AIR CLEANER, CARBURETOR, MUFFLER



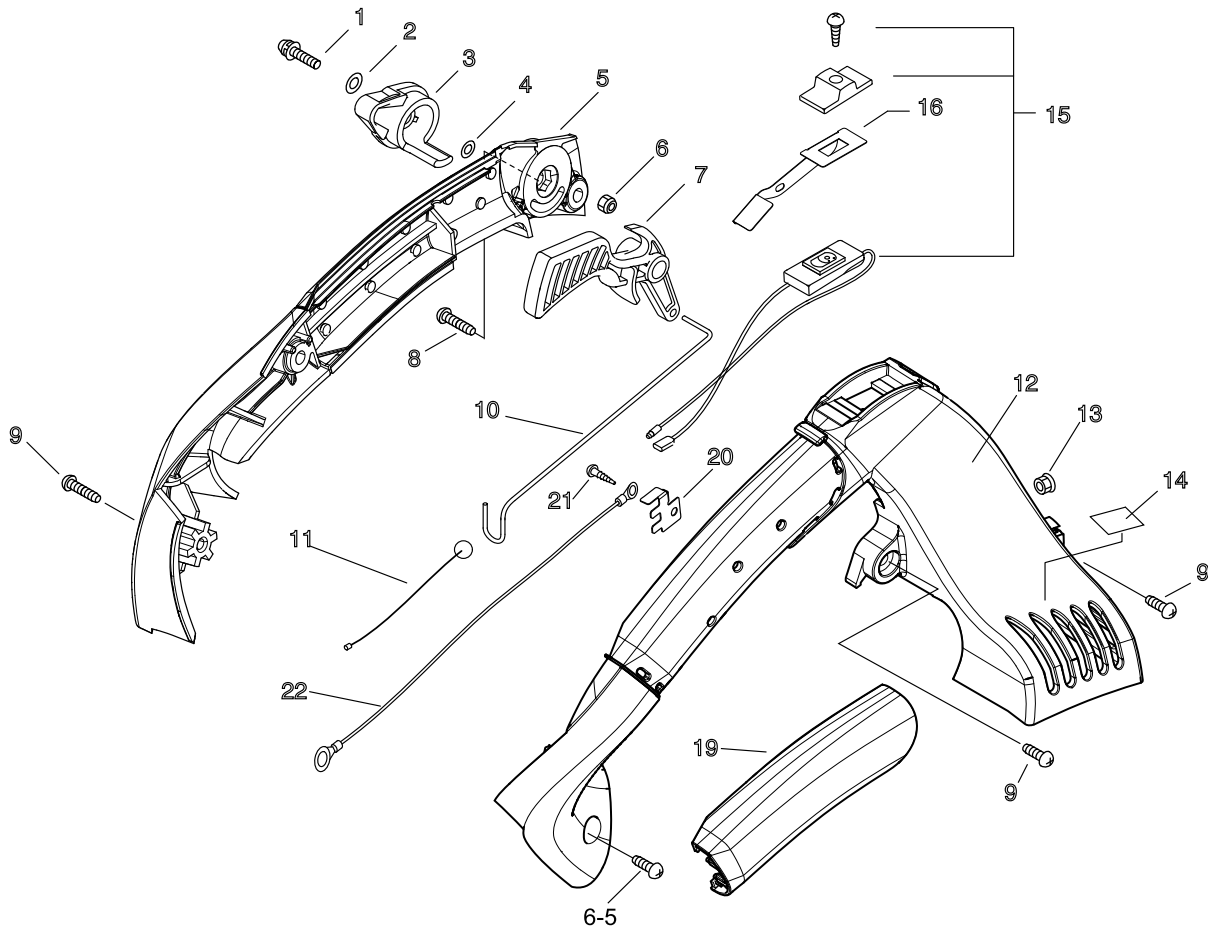
KEY	LV	PART NUMBER	Q'TY	DESCRIPTION	REMARKS	NOTE1	NOTE2
1		V299-000250	1	KNOB,FASTENER			
3		P021-015720	1	KIT,LID AIR CLEANER			
4		X506-000090	1	LABEL,CHOKE			
5		A226-000470	1	ELEMENT, AIR FILTER			
5		A226-000471	1	ELEMENT, AIR FILTER			
6		900105-05060	2	BOLT, H.S. 5*60	5*60		
7		A244-000070	1	PLATE,PREVENT			
8		P021-010980	1	CLEANER CASE ASY			
9		130016-42031	1	GASKET, INTAKE			
10		A021-001591	1	CARBURETOR,DIAPHRAGM	RB-K90		
13		V103-000400	1	GASKET,INTAKE			
14		900162-05025	2	BOLT, H.S. 5*25	5*25 W,SW		
15		A200-000280	1	INSULATOR, INTAKE			
16		V103-000390	1	GASKET,INTAKE			
17		A160-000830	1	COVER,CYLINDER			
18		C459-000010	1	COVER,THROTTLE			
19		V104-000820	1	GASKET,EXHAUST	NP7002		
20		A300-000810	1	MUFFLER, EXHAUST			
21		A310-000070	1	SCREEN, ARRESTOR	22*28*3		
22		900603-00005	2	WASHER 5	5.5*12*0.8		
23		V203-000190	2	BOLT,5	AN A2-70		
24		V104-000940	1	GASKET,EXHAUST	T:0.5		
25		A313-000910	1	GUIDE, EXHAUST			
26		A313-000920	1	GUIDE, EXHAUST			
27		91367-04010	5	SCREW	4*10/SW(SUS)		
28		P021-011200	1	COVER,MUFFLER KIT			

3. AIR CLEANER, CARBURETOR, MUFFLER



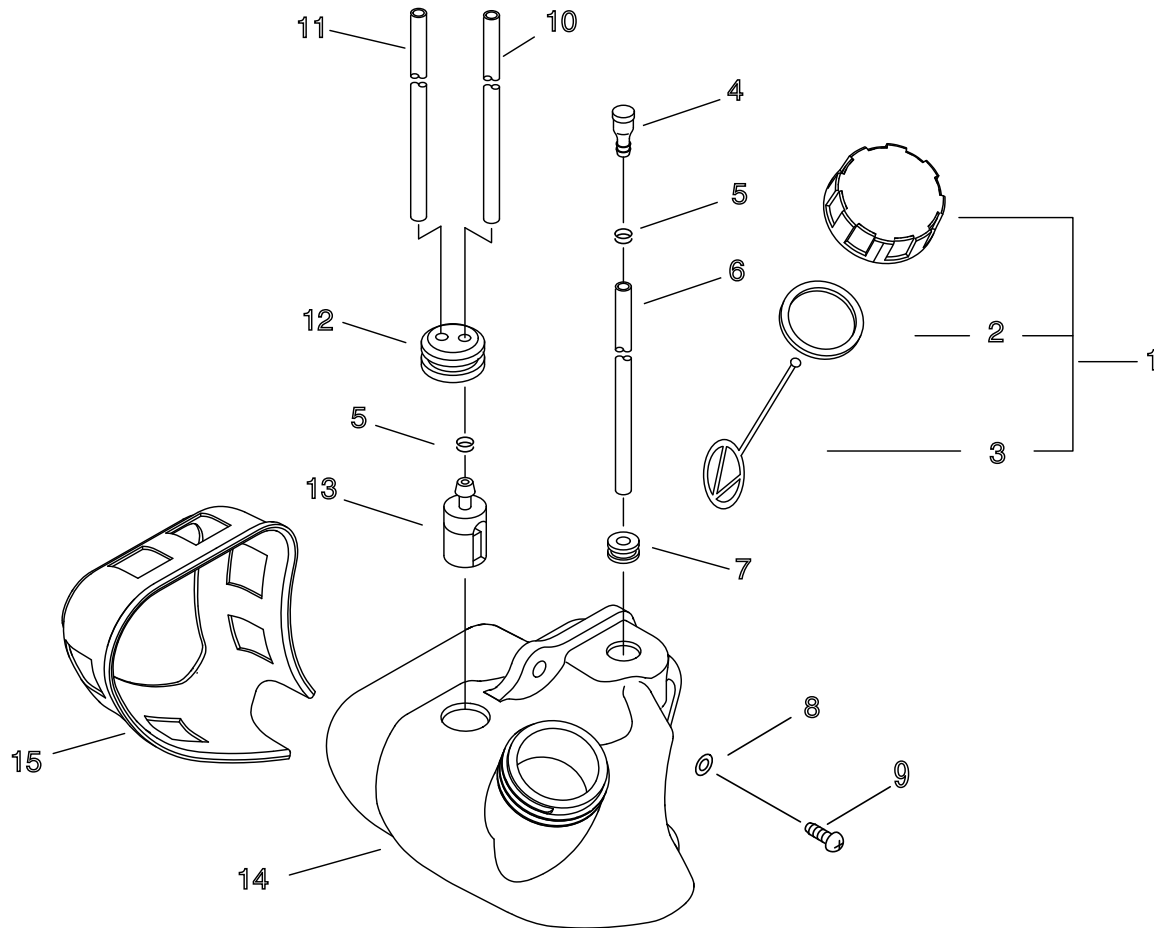
KEY	LV	PART NUMBER	Q'TY	DESCRIPTION	REMARKS	NOTE1	NOTE2
29		900106-05014	2	BOLT, H.S. 5*14	5*14		
30		A226-000370	1	ELEMENT, AIR FILTER			
32		A313-001070	1	GUIDE, EXHAUST			

4. HANDLE



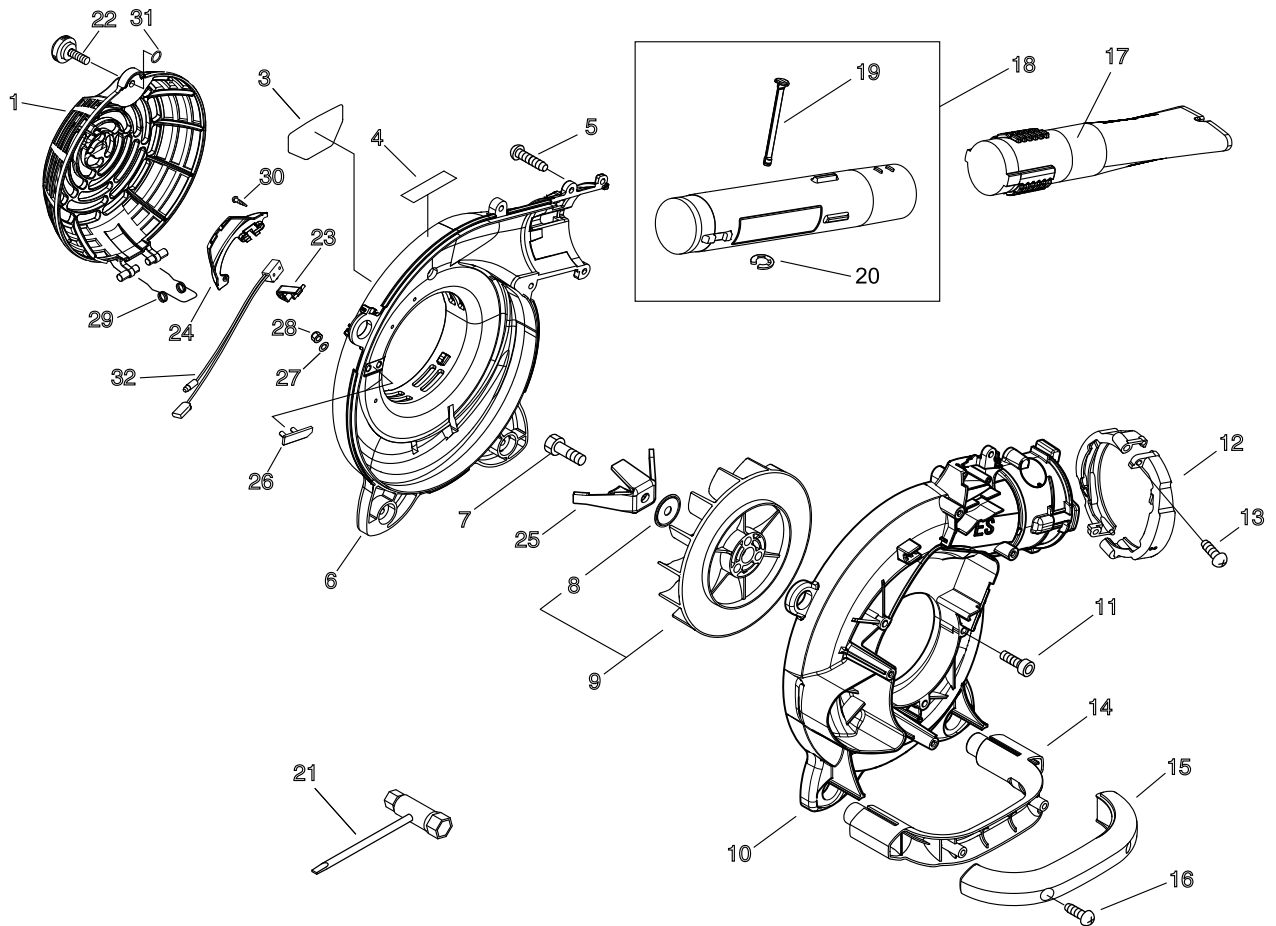
KEY	LV	PART NUMBER	Q'TY	DESCRIPTION	REMARKS	NOTE1	NOTE2
1		900238-05025	1	SCREW 5*25	5*25		
2		900602-00005	1	WASHER 5	5.3*10*1		
3		C453-000260	1	LEVER, THROTTLE			
4		900603-00005	1	WASHER 5	5.5*12*0.8		
5		C411-000021	1	LID,HANDLE			
6		900562-50005	1	LOCKNUT 5	5		
7		C450-000241	1	CONTROL, THROTTLE			
8		900253-05025	1	SCREW 5*25	5*25		
9		900253-05020	3	SCREW 5*20	5*20		
10		C454-000130	1	ROD, THROTTLE			
11		V431-000000	1	CABLE,INNER			
12		C400-000490	1	HANDLE, FRONT			
13		V263-000070	1	NUT,5			
14		X505-002310	1	LABEL,CAUTION	HOT CAUTION		
15		A440-001010	1	SWITCH, ON OFF			
16		V486-000110	1	TERMINAL,LEAD			
19		C412-000150	1	GRIP, HANDLE			
20		V486-000120	1	TERMINAL,LEAD			
21		900253-04010	1	SCREW 4*10	4*10		
22		V485-000370	1	LEAD			

5. FUEL TANK



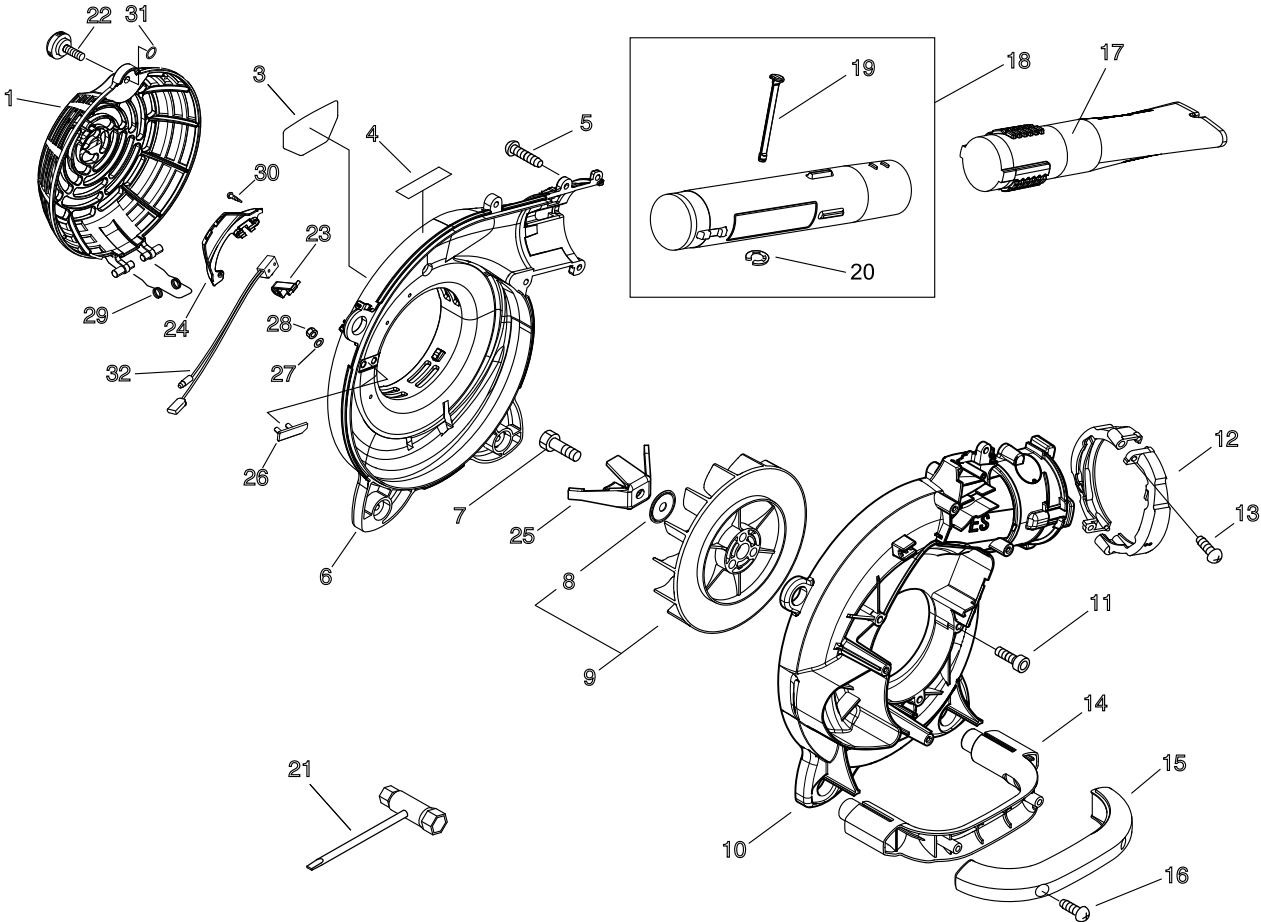
KEY	LV	PART NUMBER	Q'TY	DESCRIPTION	REMARKS	NOTE1	NOTE2
1		131004-55530	1	CAP ASSY, FUEL TANK			
2	+	131016-55830	1	GASKET, FUEL CAP			
3	+	131051-56030	1	CLIP, FUEL CAP	100L		
4		A356-000030	1	VALVE,CHECK			
5		132013-09820	2	CLIP	6MM		
6		V471-001220	1	PIPE	3*5*50 NBR		
7		132115-01461	1	GROMMET			
8		900603-00005	2	WASHER 5	5.5*12*0.8		
9		900253-05020	2	SCREW 5*20	5*20		
10		V471-001860	1	PIPE	3*5*175		
11		132010-49730	1	PIPE 3*6*85	3*6*85 YL		
12		132115-44330	1	GROMMET			
13		131205-07320	1	STRAINER, FUEL			
14		A350-000550	1	TANK, FUEL			
15		V420-001430	1	CUSHION			

6. FAN CASE, BLOWER PIPE



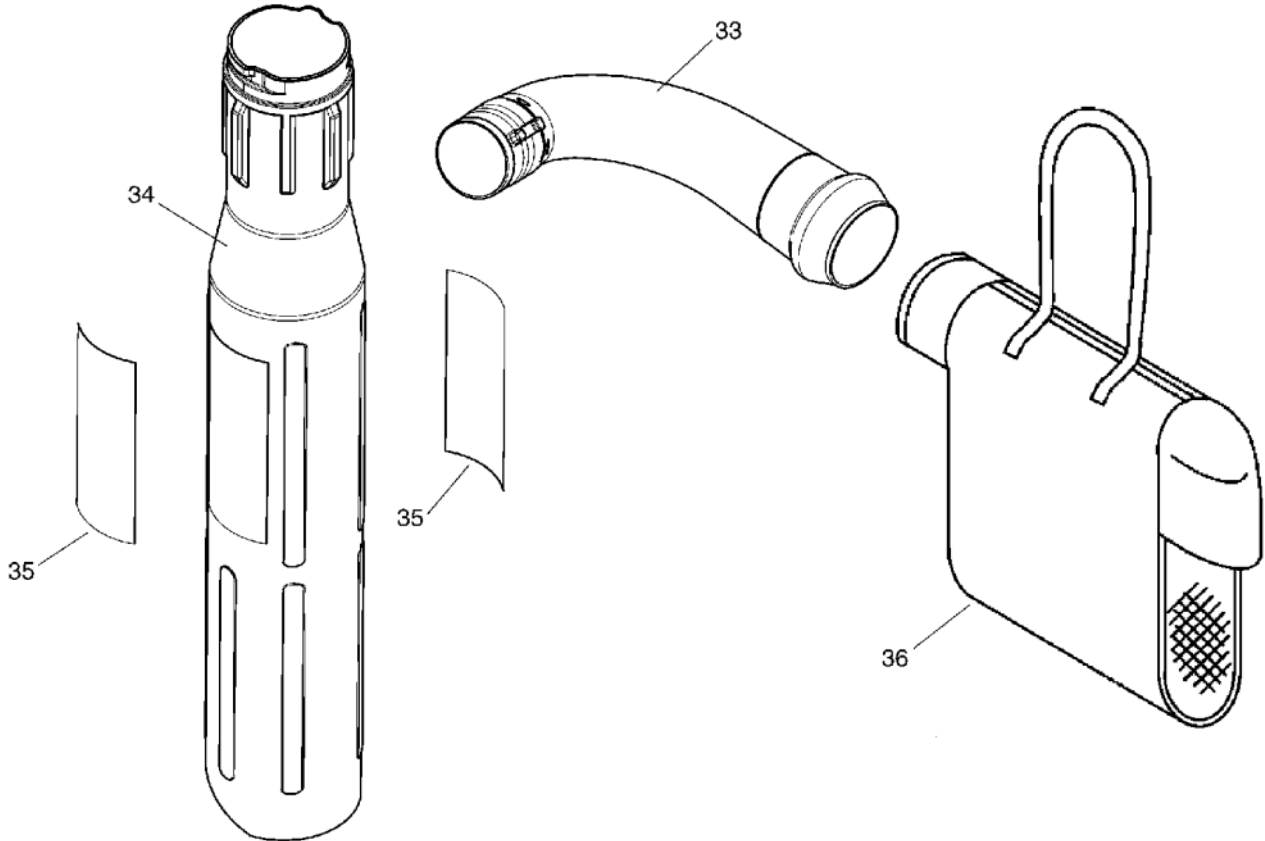
KEY	LV	PART NUMBER	Q'TY	DESCRIPTION	REMARKS	NOTE1	NOTE2
1		E104-000090	1	GRID, BLOWER			
3		X547-000870	1	LABEL,ECHO	ES-255ES		
4		X505-002080	1	LABEL,CAUTION			
5		900253-05020	8	SCREW 5*20	5*20		
6		E103-000490	1	CASE,FAN			
7		900105-08015	1	BOLT, H.S. 8*15	8*15		
9		P021-010663	1	FAN,BLOWER KIT			
8	+	100143-19830	1	WASHER	8.2*31*0.8		
10		E103-000501	1	CASE,FAN			
11		900162-04020	4	BOLT, H.S. 4*20	4*20 W,SW		
12		E162-000000	2	FIXTURE, BLOW PIPE			
13		900253-05020	2	SCREW 5*20	5*20		
14		C410-000391	1	HANDLE, REAR			
15		C410-000400	1	HANDLE, REAR			
16		900253-05020	2	SCREW 5*20	5*20		
17		E165-000191	1	PIPE,BLOWER			
18		E165-000210	1	PIPE,BLOWER			
19	+	E178-000050	1	GUARD,PIPE			
20	+	V583-000080	1	RING	CE-5		
21		895410-06960	1	WRENCH, W/S-DRIVER			
22		V299-000290	1	KNOB,FASTENER	1 KNOB M5X0.8		
23		A446-000000	1	LEVER, ACTUATOR			
24		A473-000020	1	LID,SWITCH CASE			
25		X413-000010	1	CUTTER,SHREDDER			
26		X413-000020	1	CUTTER,SHREDDER			

6. FAN CASE, BLOWER PIPE



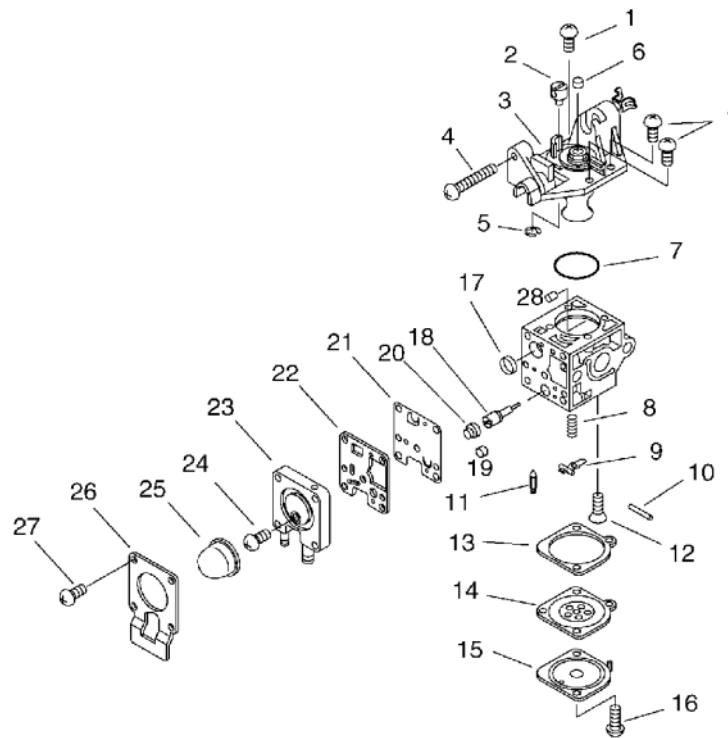
KEY	LV	PART NUMBER	Q'TY	DESCRIPTION	REMARKS	NOTE1	NOTE2
27		900603-00005	2	WASHER 5	5.5*12*0.8		
28		900562-50005	2	LOCKNUT 5	5		
29		V452-000370	1	SPRING,TORSION			
30		900256-04016	3	SCREW 4*16			
31		900720-00003	1	O-RING P-3	P-3		
32		A045-000170	1	SWITCH, ON OFF			

7. DUST ATTACHMENT



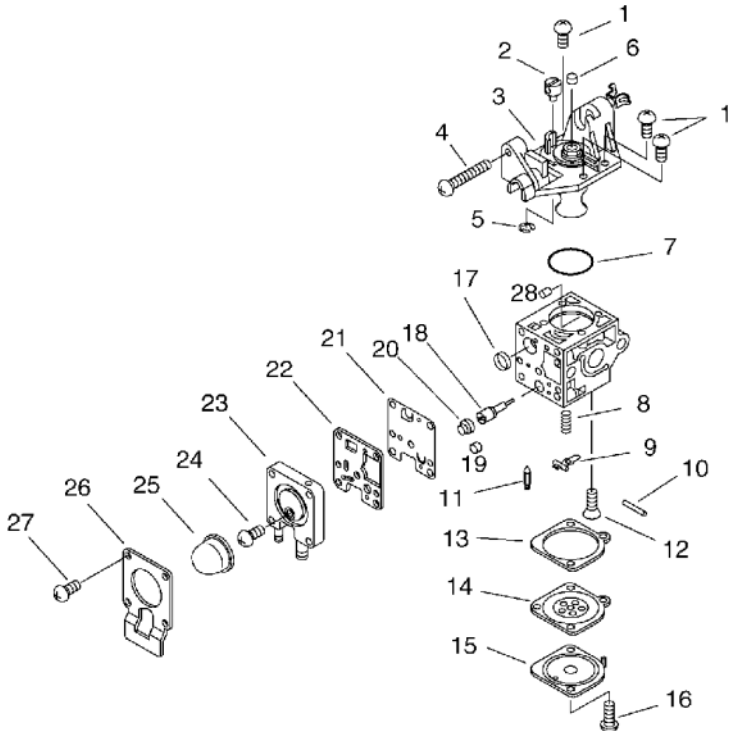
KEY	LV	PART NUMBER	Q'TY	DESCRIPTION	REMARKS	NOTE1	NOTE2
33		E160-000120	1	PIPE,MAIN			
34		E180-000011	1	PIPE,SUCTION			
35		X503-008950	2	LABEL,MODEL			
36		X692-000022	1	BAG,DUST	ECHO BAG - BLACK		

8. CARBURETOR



KEY	LV	PART NUMBER	Q'TY	DESCRIPTION	REMARKS	NOTE1	NOTE2
		A021-001591	1	CARBURETOR,DIAPHRAGM	RB-K90		
1	+	125344-13931	3	SCREW			
2	+	P005-002090	1	POST			
3	+	P005-002000	1	COVER ASY, ROTOR			
4	+	P005-000100	1	SCREW,THROTTLADJUST			
5	+	P005-000190	1	E-RING			
6	+	P005-001270	1	PLUG, H AJUST SCREW			
7	+	P005-000280	1	O-RING			
8	+	P005-000940	1	SPRING, METER. LEVER			
9	+	125323-08260	1	ARM, VALVE			
10	+	125338-13930	1	PIN, METERING ARM			
11	+	125337-08260	1	VALVE, INLET NEEDLE			
12	+	125339-42030	1	SCREW			
13	+	P005-000200	1	GASKET, METERING			
14	+	P005-001780	1	DIAPHRAGM			
15	+	125342-52130	1	COVER, DIAPHRAGM			
16	+	125344-52130	1	SCREW			
17	+	P005-000010	1	STRAINER			
18	+	P005-001260	1	SCREW,MAINN MIXTURE			
19		P005-001270	1	PLUG, H AJUST SCREW			
20	+	P005-001250	1	RETAINER,PLUG BALL			
21	+	P005-000510	1	DIAPHRAGM, PUMP			
22	+	P005-000520	1	GASKET, PUMP			
23	+	P005-001890	1	BASE, ASY PRIMER			
24	+	P005-000270	1	SCREW			
25	+	125381-08660	1	PUMP, PRIMING			

8. CARBURETOR



KEY	LV	PART NUMBER	Q'TY	DESCRIPTION	REMARKS	NOTE1	NOTE2
26	+	P005-000250	1	RETAINER			
27	+	P005-001900	4	SCREW			
28	+	P005-001000	1	ROLLER, GUIDE			

9. REPAIR KIT

KEY	LV	PART NUMBER	Q'TY	DESCRIPTION	REMARKS	NOTE1	NOTE2
		P005-001660	1	DIAPHRAGM/GASKET KIT			
1		P005-000200	1	GASKET, METERING			
2		P005-001780	1	DIAPHRAGM			
3		P005-000510	1	DIAPHRAGM, PUMP			
4		P005-000520	1	GASKET, PUMP			
		P005-001670	1	REBUILD KIT			
1		P005-001000	1	ROLLER, GUIDE			
2		P005-000010	1	STRAINER			
3		P005-000940	1	SPRING, METER. LEVER			
4		125323-08260	1	ARM, VALVE			
5		125338-13930	1	PIN, METERING ARM			
6		125337-08260	1	VALVE, INLET NEEDLE			
7		P005-000200	1	GASKET, METERING			
8		P005-001780	1	DIAPHRAGM			
9		P005-000510	1	DIAPHRAGM, PUMP			
10		P005-000520	1	GASKET, PUMP			
		P021-012350	1	GASKET KIT			
1		V100-000190	1	GASKET,CYL			
2		100242-42030	1	GASKET, CRANKCASE			
3		V103-000390	1	GASKET,INTAKE			
4		V103-000400	1	GASKET,INTAKE			
5		130016-42031	1	GASKET, INTAKE			
6		V104-000820	1	GASKET,EXHAUST	NP7002		
7		V104-000830	1	GASKET,EXHAUST			

Index

Patrs Number	Key No.	Patrs Number	Key No.	Patrs Number	Key No.
100014-11520	1 - 10	900253-05020	5 - 9	A514-000070	2 - 20
100015-04630	1 - 9	900253-05020	6 - 5	C400-000490	4 - 12
100143-19830	6 - 8	900253-05020	6 - 13	C410-000391	6 - 14
100212-42031	1 - 14	900253-05020	6 - 16	C410-000400	6 - 15
100215-03930	1 - 18	900253-05025	4 - 8	C411-000021	4 - 5
100242-42030	1 - 16	900256-04016	6 - 30	C412-000150	4 - 19
100242-42030	9 - 2	900562-50005	4 - 6	C450-000241	4 - 7
125323-08260	8 - 9	900562-50005	6 - 28	C453-000260	4 - 3
125323-08260	9 - 4	900602-00005	4 - 2	C454-000130	4 - 10
125337-08260	8 - 11	900603-00005	3 - 22	C459-000010	3 - 18
125337-08260	9 - 6	900603-00005	4 - 4	E101-000071	2 - 13
125338-13930	8 - 10	900603-00005	5 - 8	E103-000490	6 - 6
125338-13930	9 - 5	900603-00005	6 - 27	E103-000501	6 - 10
125339-42030	8 - 12	900700-00004	2 - 18	E104-000090	6 - 1
125342-52130	8 - 15	900720-00003	6 - 31	E160-000120	7 - 33
125344-13931	8 - 1	91113-04020	2 - 10	E162-000000	6 - 12
125344-52130	8 - 16	91367-04010	3 - 27	E165-000191	6 - 17
125381-08660	8 - 25	94035-36201	1 - 17	E165-000210	6 - 18
130016-42031	3 - 9	A011-000371	1 - 11	E178-000050	6 - 19
130016-42031	9 - 5	A021-001591	3 - 10	E180-000011	7 - 34
131004-55530	5 - 1	A021-001591	8 -	P005-000010	8 - 17
131016-55830	5 - 2	A045-000170	6 - 32	P005-000010	9 - 2
131051-56030	5 - 3	A051-001180	2 - 21	P005-000100	8 - 4
131205-07320	5 - 13	A052-000250	2 - 17	P005-000190	8 - 5
132010-49730	5 - 11	A101-000140	1 - 7	P005-000200	8 - 13
132013-09820	5 - 5	A130-000780	1 - 3	P005-000200	9 - 1
132115-01461	5 - 7	A160-000821	1 - 2	P005-000200	9 - 7
132115-44330	5 - 12	A160-000830	3 - 17	P005-000250	8 - 26
152115-05530	2 - 2	A200-000280	3 - 15	P005-000270	8 - 24
156110-04920	2 - 7	A226-000370	3 - 30	P005-000280	8 - 7
177220-42030	2 - 25	A226-000470	3 - 5	P005-000510	8 - 21
177227-42030	2 - 29	A226-000471	3 - 5	P005-000510	9 - 3
177228-27030	2 - 28	A244-000070	3 - 7	P005-000510	9 - 9
177236-61830	2 - 22	A300-000810	3 - 20	P005-000520	8 - 22
177246-11120	2 - 27	A310-000070	3 - 21	P005-000520	9 - 4
895410-06960	6 - 21	A313-000910	3 - 25	P005-000520	9 - 10
900105-05060	3 - 6	A313-000920	3 - 26	P005-000940	8 - 8
900105-08015	6 - 7	A313-001070	3 - 32	P005-000940	9 - 3
900106-05008	1 - 1	A350-000550	5 - 14	P005-001000	8 - 28
900106-05014	2 - 33	A356-000030	5 - 4	P005-001000	9 - 1
900106-05014	3 - 29	A409-000210	2 - 12	P005-001250	8 - 20
900162-04020	6 - 11	A411-000290	2 - 11	P005-001260	8 - 18
900162-05025	1 - 4	A425-000000	2 - 3	P005-001270	8 - 6
900162-05025	3 - 14	A426-000010	2 - 4	P005-001270	8 - 19
900162-05028	1 - 15	A427-000013	2 - 6	P005-001660	9 -
900163-04016	2 - 16	A429-000010	2 - 5	P005-001670	9 -
900238-05025	4 - 1	A440-001010	4 - 15	P005-001780	8 - 14
900253-04010	4 - 21	A446-000000	6 - 23	P005-001780	9 - 2
900253-05020	4 - 9	A473-000020	6 - 24	P005-001780	9 - 8

Index

Patrs Number	Key No.	Patrs Number	Key No.	Patrs Number	Key No.
P005-001890	8 - 23	X503-008950	7 - 35		
P005-001900	8 - 27	X505-002080	6 - 4		
P005-002000	8 - 3	X505-002310	4 - 14		
P005-002090	8 - 2	X506-000090	3 - 4		
P021-008231	1 - 13	X547-000870	6 - 3		
P021-010260	1 - 6	X692-000022	7 - 36		
P021-010663	6 - 9				
P021-010980	3 - 8				
P021-011200	3 - 28				
P021-012350	9 -				
P021-013780	2 - 14				
P021-015720	3 - 3				
P022-006830	2 - 24				
P022-008260	2 - 23				
P022-008270	2 - 30				
P022-008280	2 - 26				
V100-000190	1 - 5				
V100-000190	9 - 1				
V103-000390	3 - 16				
V103-000390	9 - 3				
V103-000400	3 - 13				
V103-000400	9 - 4				
V104-000820	3 - 19				
V104-000820	9 - 6				
V104-000830	9 - 7				
V104-000940	3 - 24				
V203-000190	3 - 23				
V263-000070	2 - 15				
V263-000070	4 - 13				
V299-000250	3 - 1				
V299-000290	6 - 22				
V420-001430	5 - 15				
V420-001440	2 - 32				
V431-000000	4 - 11				
V452-000280	2 - 19				
V452-000370	6 - 29				
V471-001220	5 - 6				
V471-001860	5 - 10				
V475-003380	2 - 9				
V485-000370	4 - 22				
V485-000960	2 - 1				
V486-000110	4 - 16				
V486-000120	4 - 20				
V553-000060	1 - 12				
V583-000080	6 - 20				
V606-000000	1 - 8				
X413-000010	6 - 25				
X413-000020	6 - 26				
X502-000330	2 - 31				

YAMABIKO CORPORATION

7-2 SUEHIROCHO 1-CHOME, OHME, TOKYO 198-8760, JAPAN
PHONE: 81-428-32-6118. FAX: 81-428-32-6145.



10lb
No. 64-117