

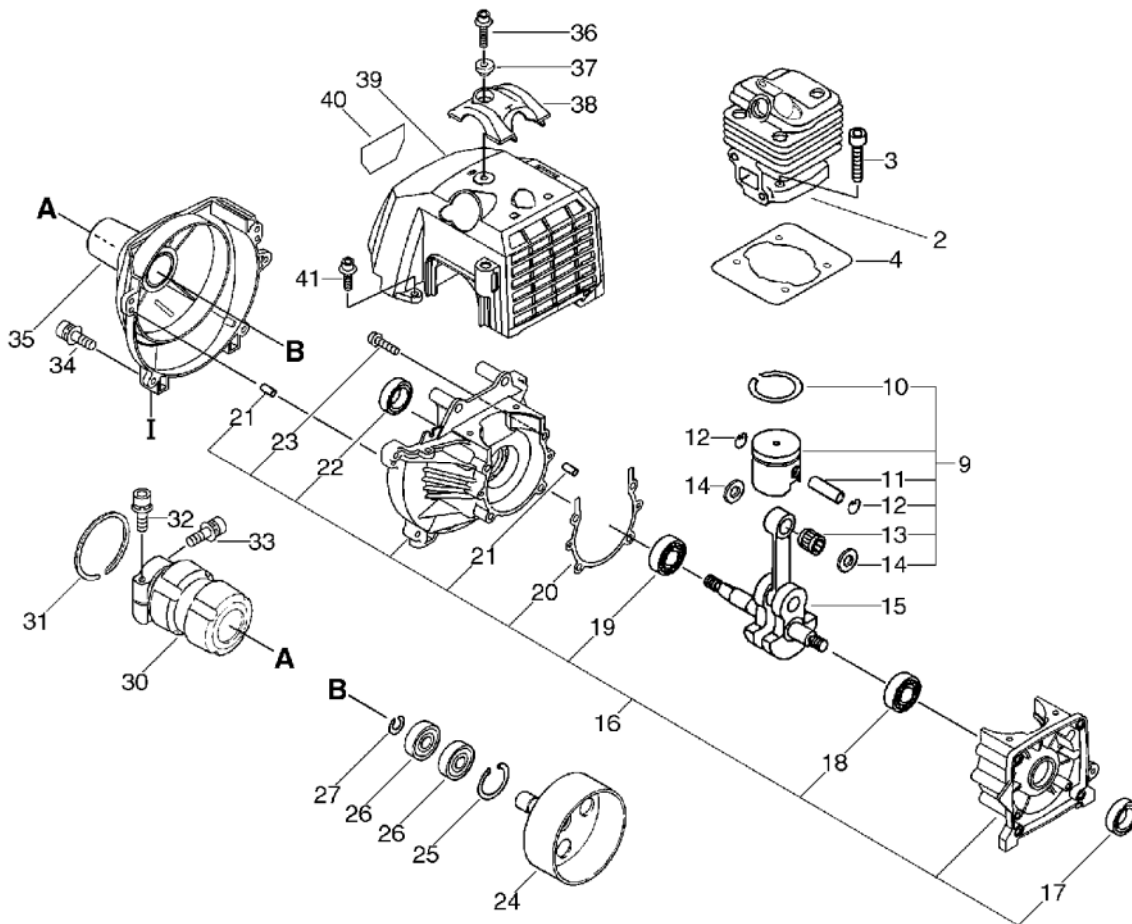


PARTS CATALOGUE

GRASS-TRIMMER / BRUSHCUTTER

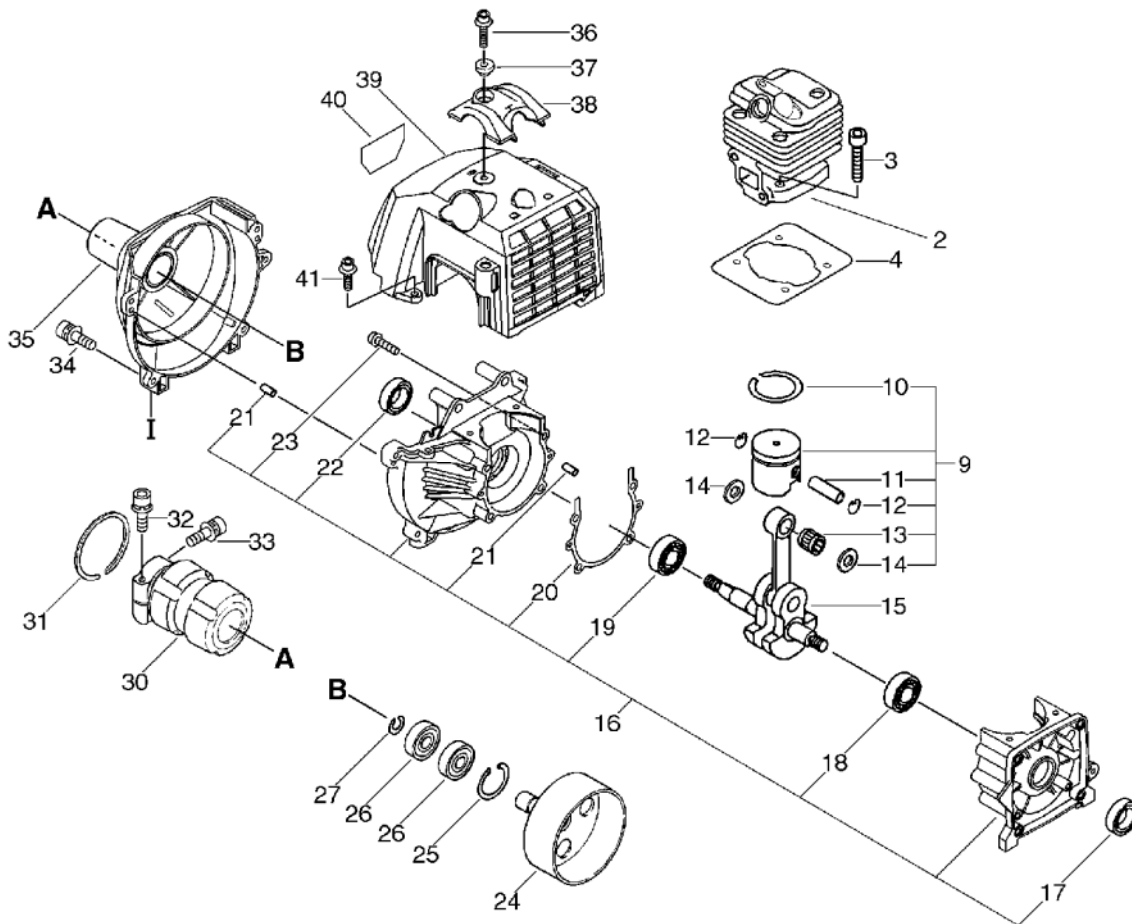
SRM-510ES_L(36)

1. Cylinder, Crankcase, Piston, Fan Cover



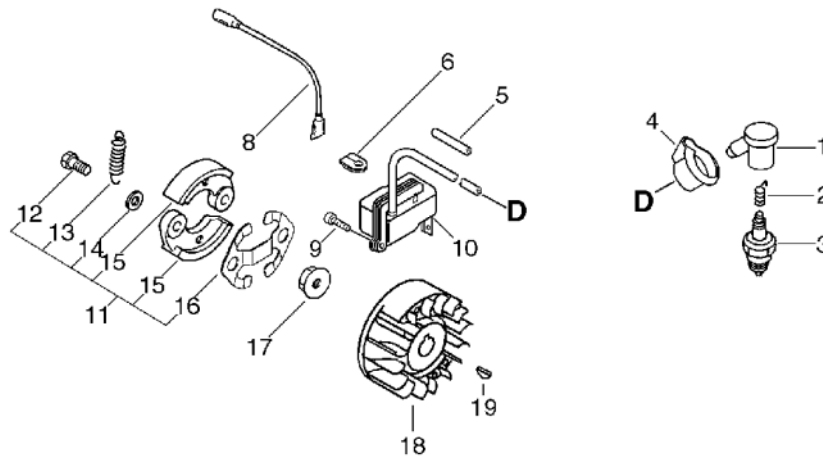
KEY	LV	PART NUMBER	Q'TY	DESCRIPTION	REMARKS	NOTE1	NOTE2
2		A130-000960	1	CYLINDER			
3		900162-05020	4	BOLT, H.S. 5*20	5*20 W,SW		
4		V100-000280	1	GASKET,CYL			
9		P021-016840	1	PISTON KIT			
10	+	A101-000220	1	RING, PISTON	44*1.5*1.8		
11	+	V608-000000	1	PIN,ENG 10			
12	+	V580-000010	2	RING,END	φ0.8		
13	+	100012-12331	1	BEARING, NEEDLE			
14	+	V307-000060	2	WASHER,CIRCULAR 10			
15		A011-000120	1	CRANKSHAFT,ASM			
16		P021-002471	1	CRANKCASE SET			
17	+	100213-05530	1	OILSEAL	ISCD 12 22 7		
18	+	94035-36201	1	BEARING BALL	6201X3JR2C3		
19	+	900810-36202	1	BEARING, BALL 6202	6202/C3		
20	+	V102-000001	1	GASKET,CRANKCASE			
21	+	100215-03930	4	PIN, DOWEL			
22	+	100213-00310	1	OILSEAL	ISCD 15 25 7		
23	+	900162-05035	4	BOLT, H.S. 5*35	5*35 W,SW		
24		A556-000181	1	DRUM,CLUTCH			
25		900702-00028	1	CIRCLIP 28	CR-28		
26		900807-06001	2	BEARING, BALL 6001	6001V(LB)		
27		900701-00012	1	CIRCLIP 12	CS-12		
30		V420-000980	1	CUSHION			
31		900702-00045	1	RING, RETAINING(IN)	CR-45		
32		91118-05028	1	BOLT	CM-5*28		
33		91118-05012	1	BOLT	CM-5*12		

1. Cylinder, Crankcase, Piston, Fan Cover



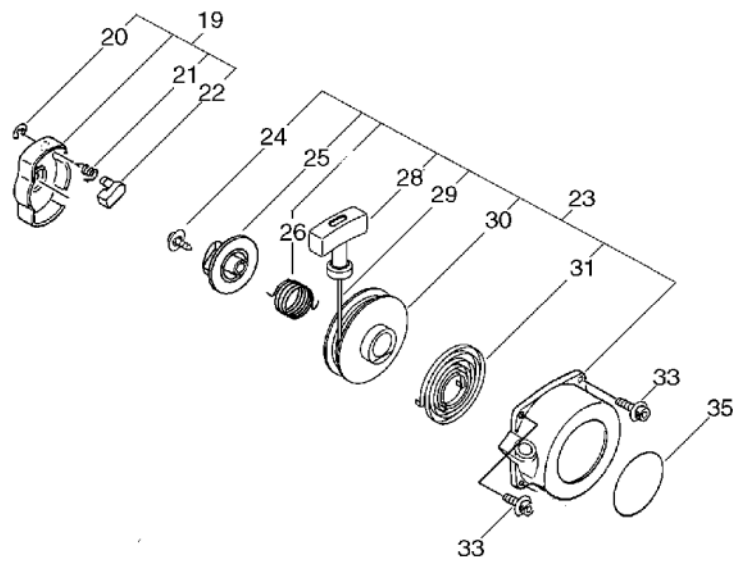
KEY	LV	PART NUMBER	Q'TY	DESCRIPTION	REMARKS	NOTE1	NOTE2
34		91118-05020	4	BOLT	CM-5*20		
35		A172-000150	1	COVER,FAN			
36		91121-05020	1	BOLT, FLANGE	10.9 SILVER		
37		V353-000020	1	COLLAR,5	12*5.5*4.5L		
38		A162-000020	1	GUARD, TOP			
39		P021-016870	1	COVER,CYLINDER			
40		X547-001590	1	LABEL,ECHO	SRM-510ES		
41		91121-05012	1	BOLT, FLANGE	10.9 SILVER		

2. Magneto, Clutch



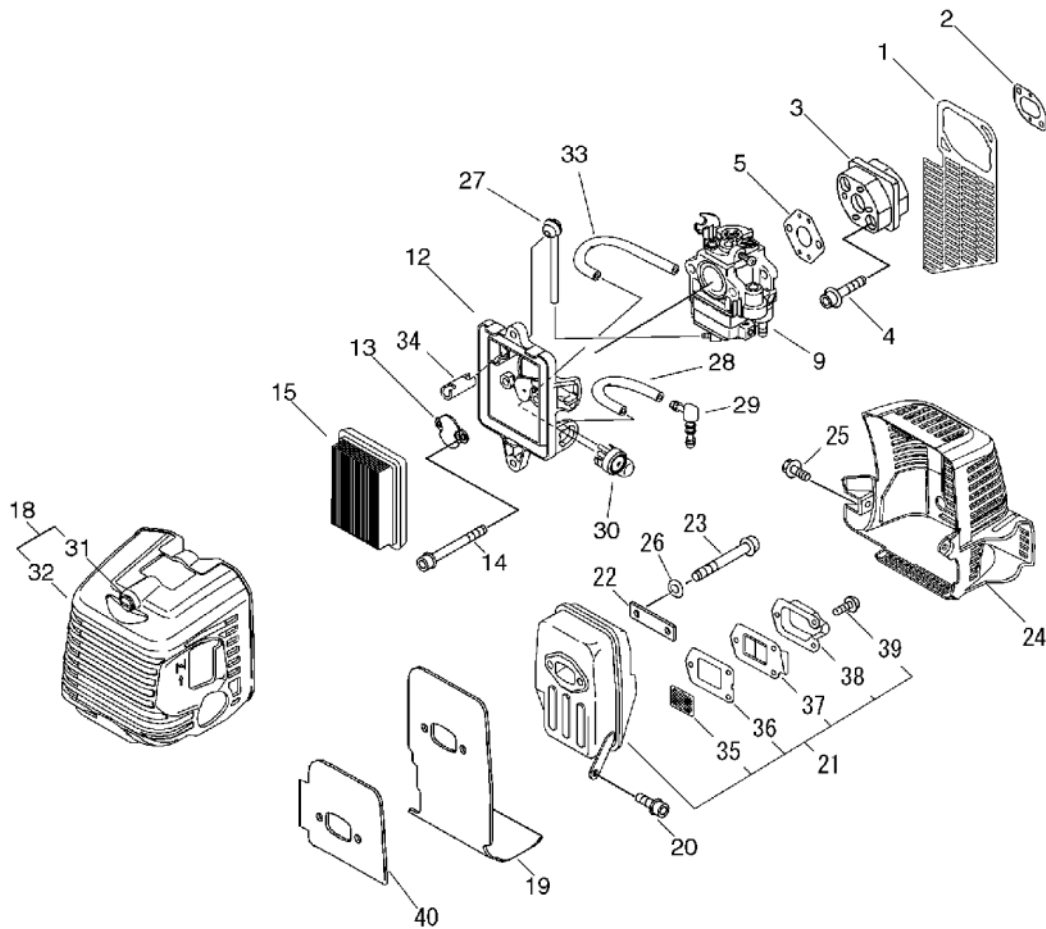
KEY	LV	PART NUMBER	Q'TY	DESCRIPTION	REMARKS	NOTE1	NOTE2
1		A427-000000	1	CAP, SPARK PLUG			
2		A426-000000	1	TERMINAL, SPARK PLUG			
3		159017-31730	1	PLUG, SPARK RCJ-6Y	RCJ-6Y		
4		V141-000020	1	GROMMET, PLUG			
5		V475-001610	1	TUBE	7*8.6*55 HST-10		
6		156114-04920	1	GROMMET			
8		162010-55630	1	LEAD, GROUND	170L		
9		900162-05020	2	BOLT, H.S. 5*20	5*20 W, SW		
10		A411-000480	1	COIL, IGNITION			
11		P021-016610	1	CLUTCH ASY			
12	+	A557-000000	2	SHAFT, CLUTCH			
13	+	V451-000480	1	SPRING, TENSION			
14	+	175049-03920	2	WASHER			
15	+	A553-000040	2	ARM, CLUTCH			
16	+	V453-000100	1	SPRING, FLAT	10.2		
17		900519-00010	1	NUT, FLANGE 10	10*1.25		
18		A409-000380	1	ROTOR, MAGNETO			
19		900323-03014	1	KEY WOODRUFF	3*14		

3. Starter



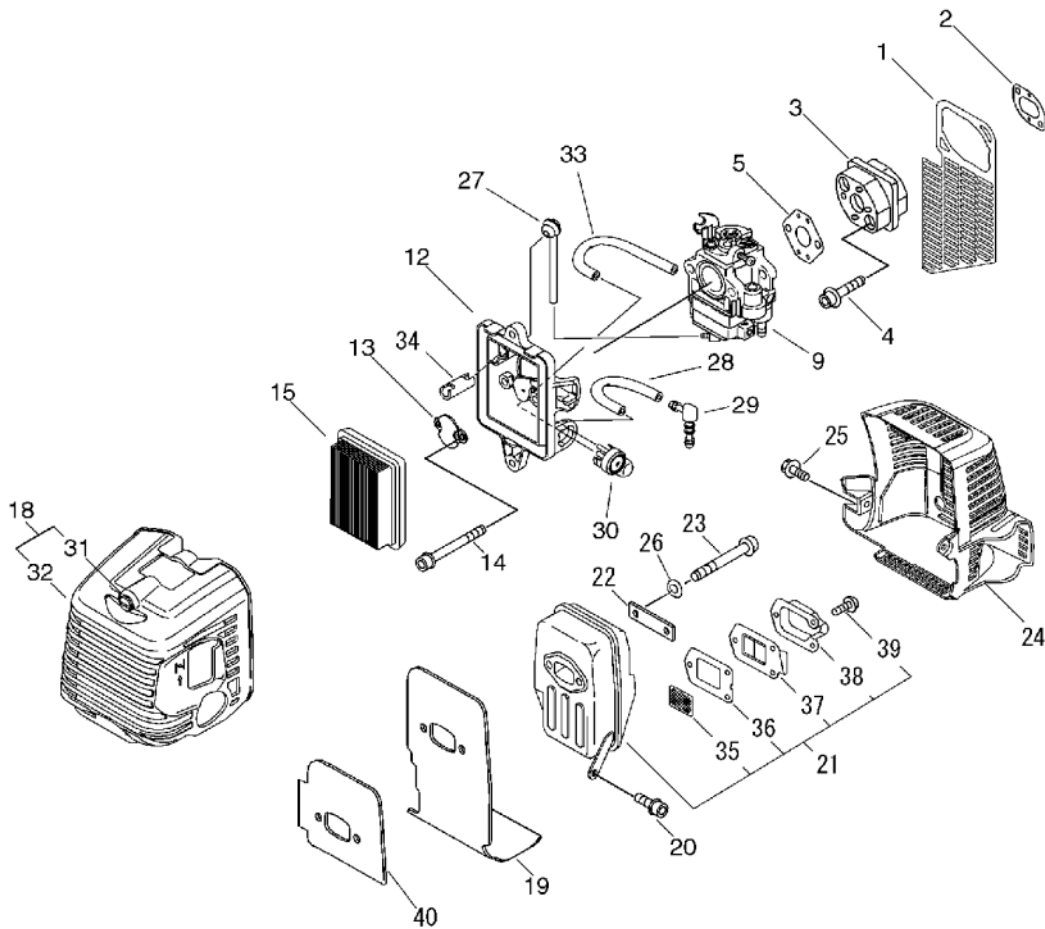
KEY	LV	PART NUMBER	Q'TY	DESCRIPTION	REMARKS	NOTE1	NOTE2
19		A052-000230	1	PULLEY,ASM STARTER			
20	+	P022-002100	2	E-RING	4		
21	+	P022-003130	2	SPRING, RETURN			
22	+	P022-023090	2	PAWL, STARTER			
23		A051-001350	1	STARTER,RECOIL ASY			
24	+	P022-023110	1	SCREW			
25	+	P022-023130	1	PLATE, CAM			
26	+	P022-023120	1	SPRING,DAMPER			
28	+	177228-27030	1	GRIP, STARTER			
29	+	P022-023100	1	ROPE, STARTER			
30	+	P022-023140	1	DRUM, STARTER			
31	+	P022-004680	1	SPRING, SPIRAL			
33		91121-05020	2	BOLT, FLANGE	10.9 SILVER		
35		X502-000460	1	LABEL,ECHO			

4. Air Cleaner, Carburettor, Muffler



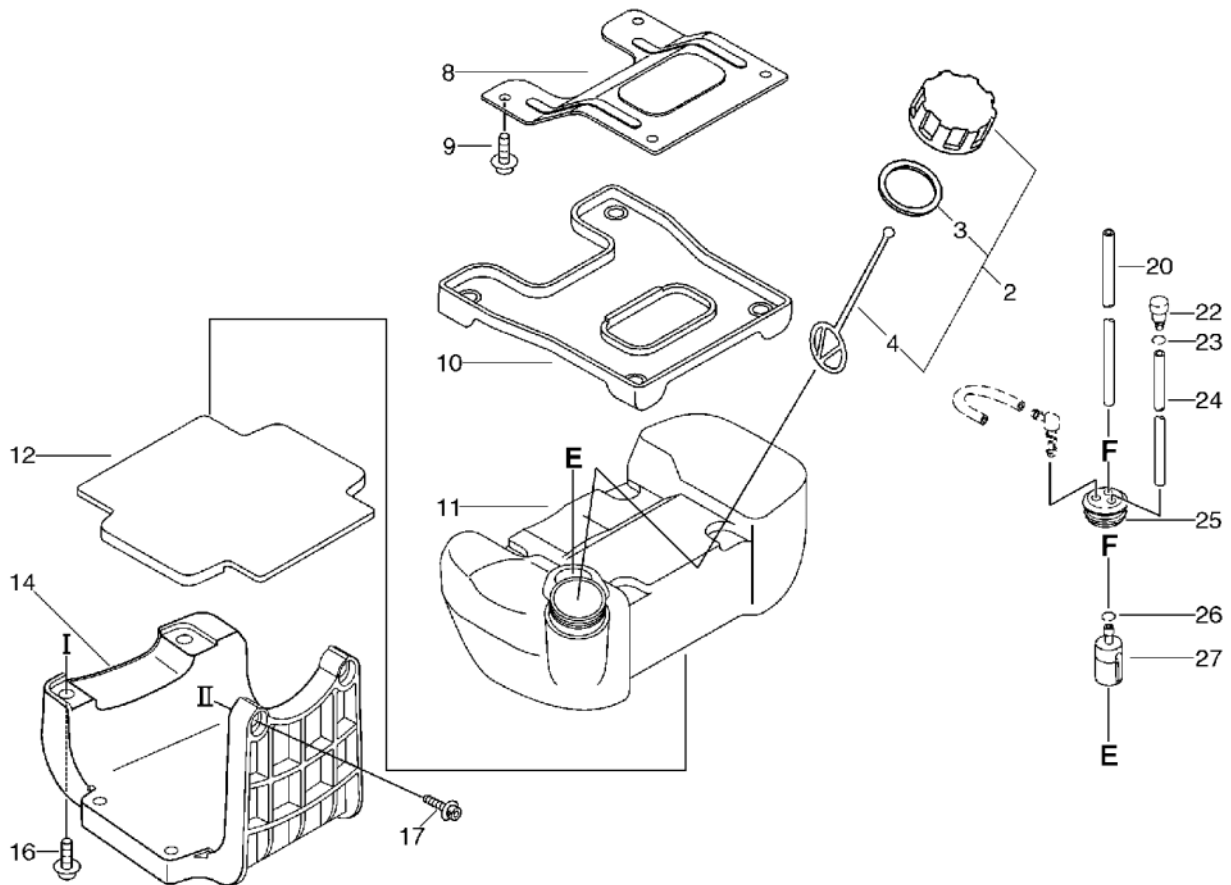
KEY	LV	PART NUMBER	Q'TY	DESCRIPTION	REMARKS	NOTE1	NOTE2
1		A128-000060	1	PLATE,DUST			
2		V103-000070	1	GASKET,INTAKE			
3		A200-000060	1	INSULATOR,INTAKE			
4		900106-05025	2	BOLT, H.S. 5*25	5*25		
5		V103-000080	1	GASKET,INTAKE			
9		A021-001860	1	CARBURETOR,DIAPHRAGM	WYK-341		
12		P021-009590	1	CASE, AIR CLEANER			
13		A244-000010	1	PLATE,PREVENT			
14		900105-05055	2	BOLT, H.S. 5*55	5*55		
15		A226-000360	1	ELEMENT, AIR FILTER	AFP-2010K-300		
18		P021-009600	1	LID,CLEANER ASY			
31	+	V253-000100	2	SCREW,5	5*20		
32	+	A232-000320	1	LID,CLEANER			
19		V104-000930	1	GASKET,EXHAUST	T:1.0		
20		900162-05012	1	BOLT, H.S. 5*12	5*12 W,SW		
21		P021-016880	1	MUFFLER ASY			
35	+	A310-000110	1	SCREEN, ARRESTOR			
36	+	145866-42031	1	GASKET, MUFFLER LID			
37	+	A313-000300	1	GUIDE,EXH			
38	+	A313-001060	1	GUIDE, EXHAUST			
39	+	900242-04010	3	SCREW 4*10	4*10		
22		V150-000550	1	PLATE,EYE			
23		91100-06070	2	BOLT HSH	CB-6*70		
24		P021-016850	1	COVER, MUFFLER			
25		91121-05012	1	BOLT, FLANGE	10.9 SILVER		

4. Air Cleaner, Carburettor, Muffler



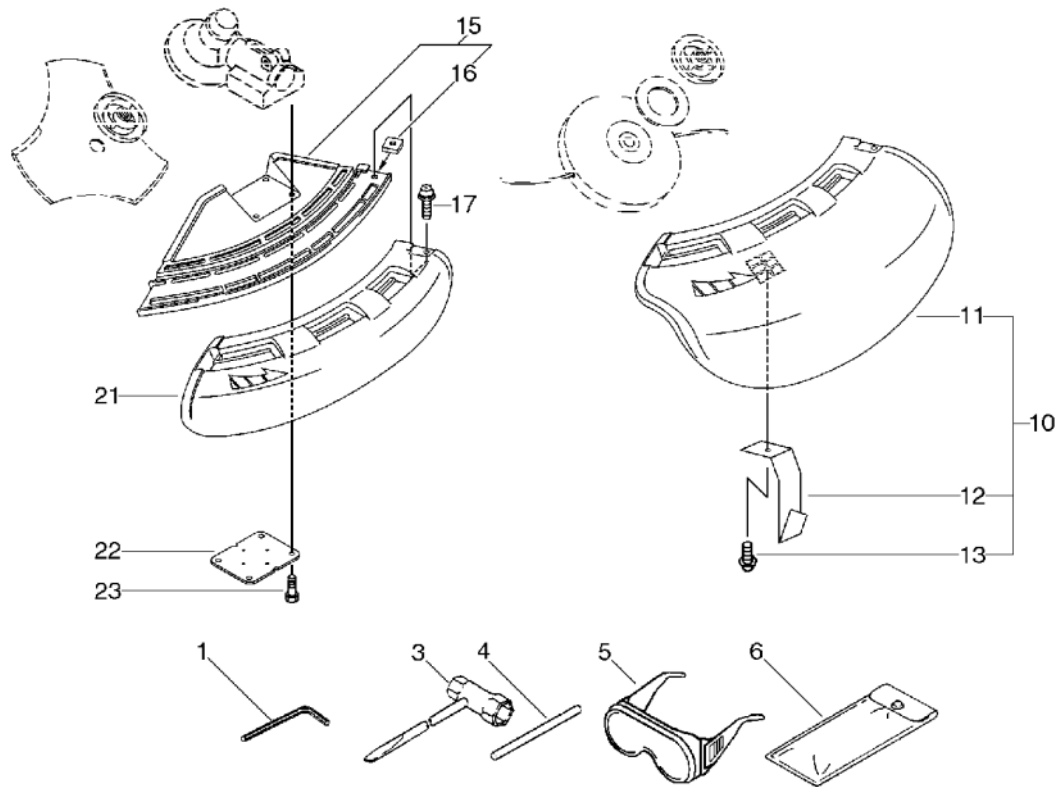
KEY	LV	PART NUMBER	Q'TY	DESCRIPTION	REMARKS	NOTE1	NOTE2
26		900628-00006	2	WASHER, SPRING 6	6		
27		132012-39331	1	PIPE	3*6*105		
28		437215-20760	1	PIPE 3*6*60	3*6*60 YL		
29		V186-000080	1	JOINT, PIPE			
30		123181-39130	1	PUMP, PRIMER			
33		V471-001560	1	PIPE	2.4*5*80		
34		A239-000050	1	PIPE, INTAKE			
40		A312-000000	1	PLATE, EXHUST			

5. Fuel Tank



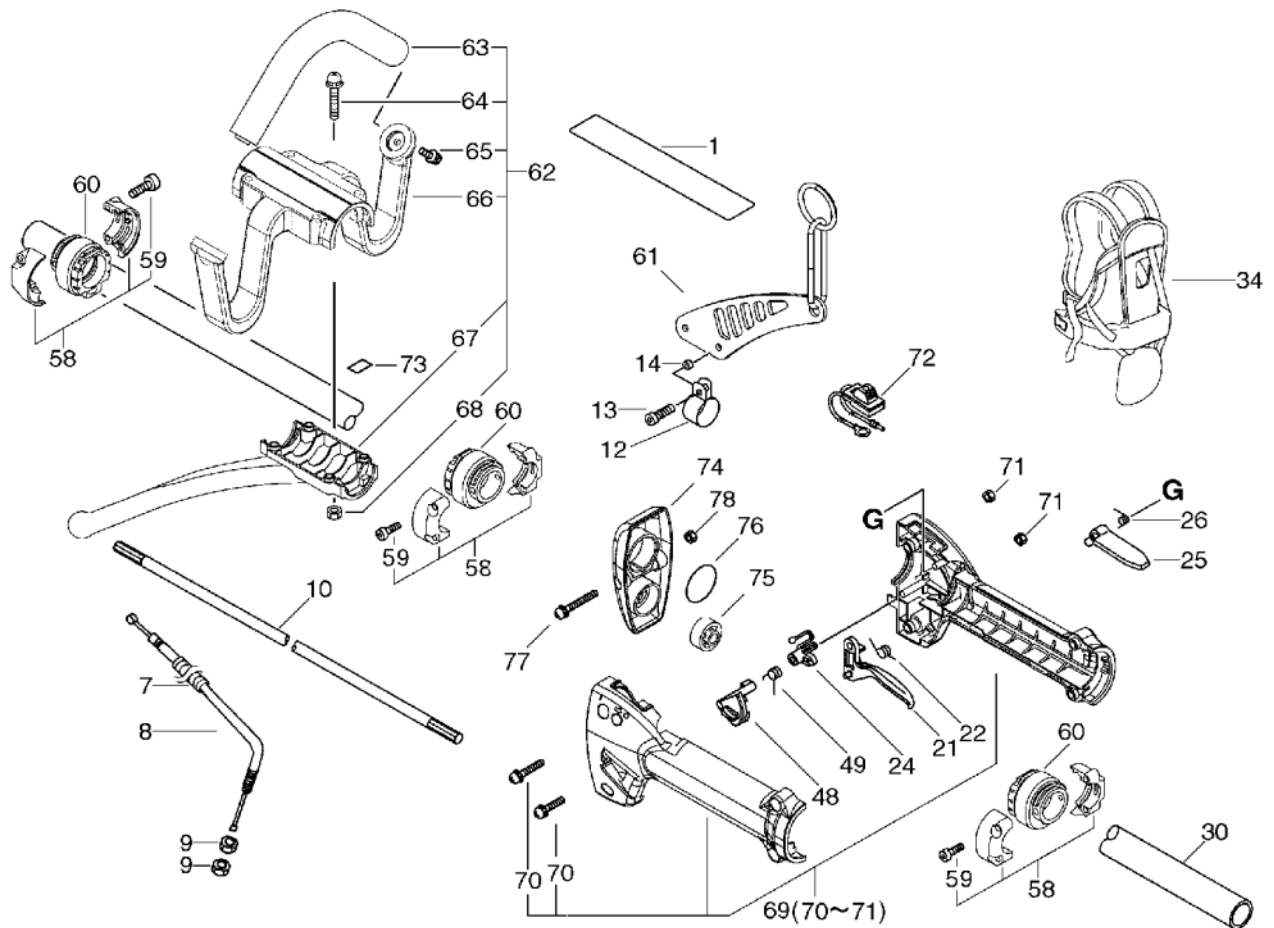
KEY	LV	PART NUMBER	Q'TY	DESCRIPTION	REMARKS	NOTE1	NOTE2
2		131004-55530	1	CAP ASSY, FUEL TANK			
3	+	131016-55830	1	GASKET, FUEL CAP			
4	+	131051-56030	1	CLIP, FUEL CAP	100L		
8		A393-000030	1	BRACKET, FUEL TANK			
9		900106-05012	4	BOLT, H.S. 5*12	5*12		
10		A390-000000	1	SEAT, FUEL TANK			
11		A350-000131	1	TANK, FUEL			
12		A390-000010	1	SEAT, FUEL TANK			
14		A393-000050	1	BRACKET, FUEL TANK			
16		91121-05020	2	BOLT, FLANGE	10.9 SILVER		
17		91121-05025	2	BOLT, FLANGE	10.9 SILVER		
20		132010-53630	1	PIPE	3*6*180 NBR		
22		131300-56430	1	VALVE, CHECK			
23		132013-26630	1	CLIP	6.5MM		
24		132012-02960	1	PIPE, FUEL	3*6*120L		
25		132115-55930	1	GROMMET, FUEL			
26		132013-26630	1	CLIP	6.5MM		
27		131205-19831	1	STRAINER, FUEL			

6. Shield,Tools



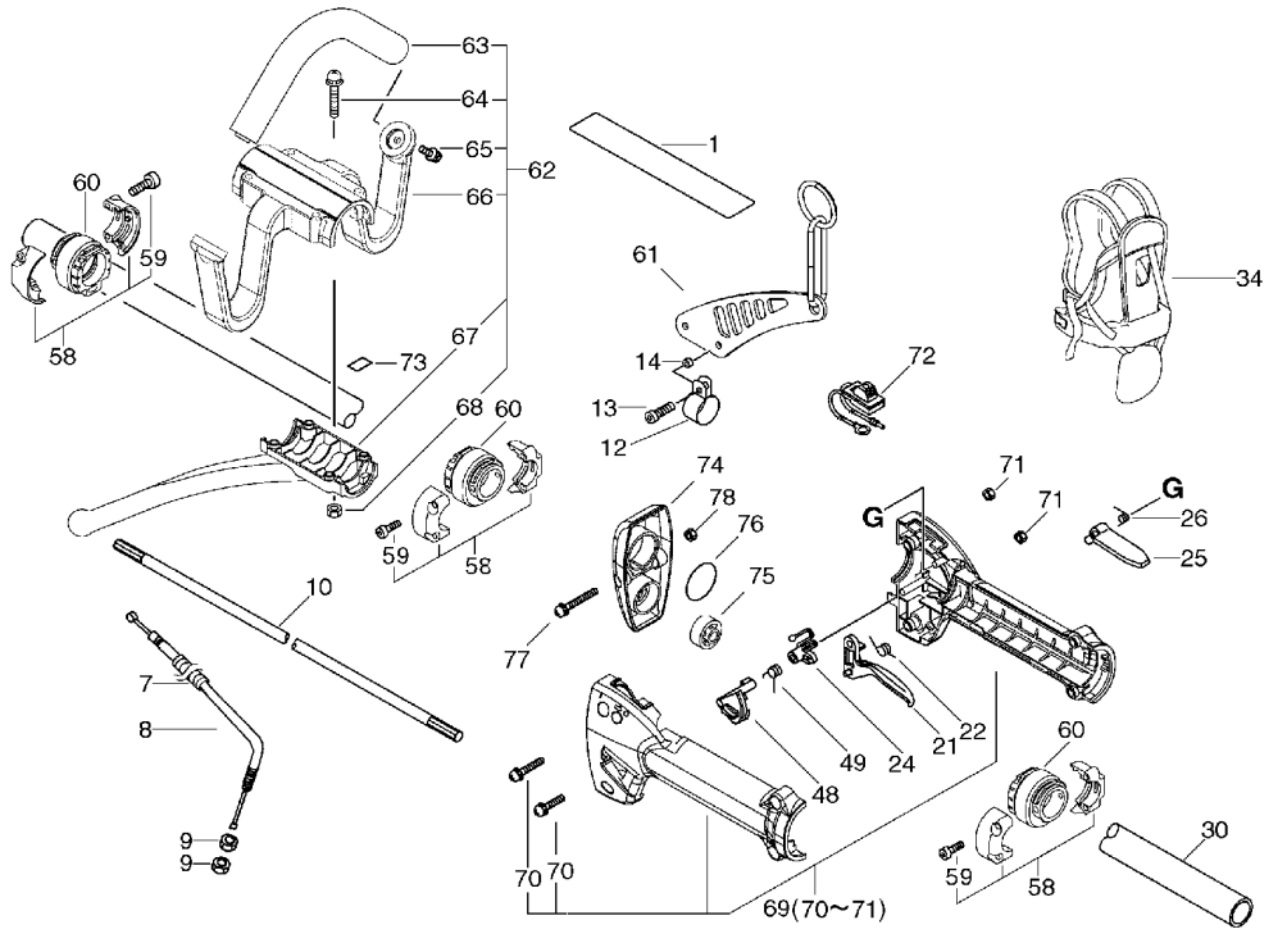
KEY	LV	PART NUMBER	Q'TY	DESCRIPTION	REMARKS	NOTE1	NOTE2
1		895610-00130	1	L-WRENCH (4MM)			
3		X602-000020	1	TOOL,WRENCH	17*19 L200		
4		897518-01131	1	LOCKING TOOL			
5		X690-000050	1	GOGGLE	GOGGLE + NOTE		
6		898510-07130	1	BAG, TOOL			
10		P021-013770	1	SHIELD KIT			
11	+	C550-000080	1	SHIELD,BLADE			
12	+	C554-000030	1	KNIFE, CORD	17INCH		
13	+	900252-05012	1	SCREW 5*12	5*12		
15		C550-000100	1	SHIELD,BLADE			
16	+	900565-00005	1	NUT	5		
17		900242-05018	1	SCREW 5*18	5*18		
21		C550-000090	1	SHIELD,BLADE			
22		699013-56830	1	PLATE, SHIELD			
23		91118-05025	4	BOLT	CM-5*25		

7. Handle



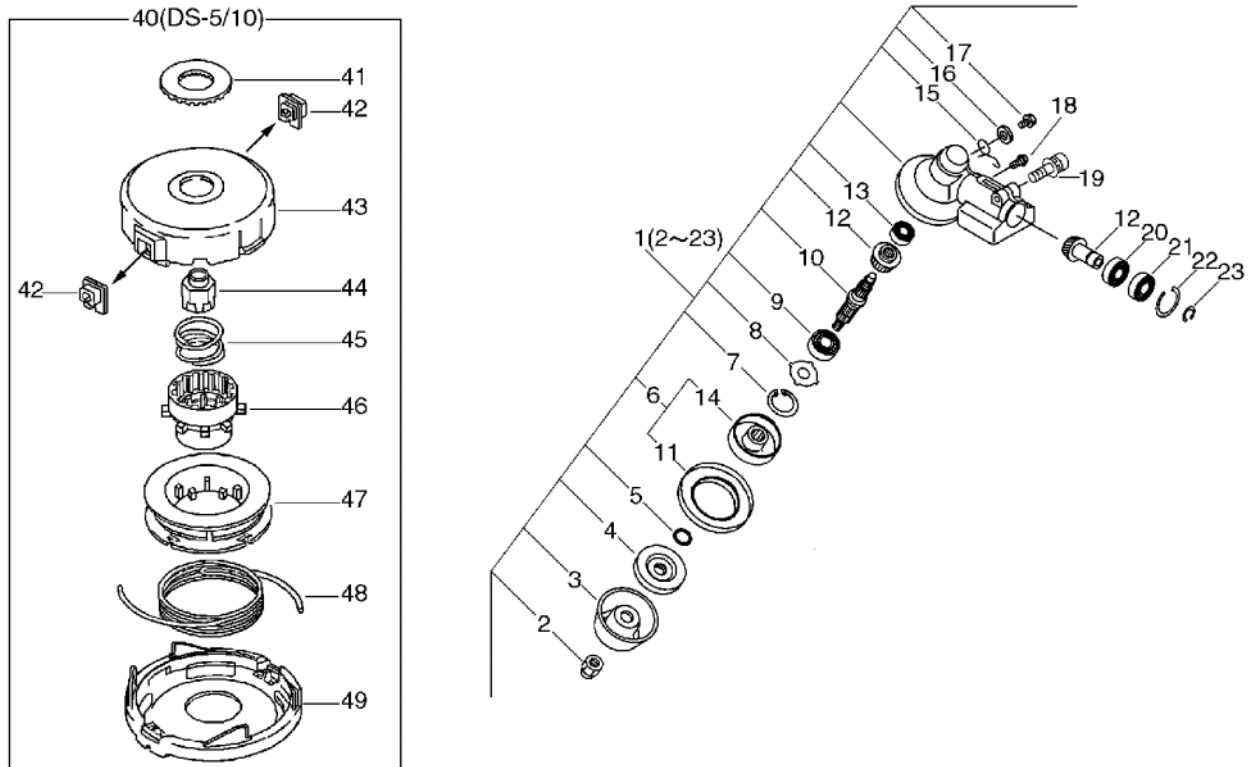
KEY	LV	PART NUMBER	Q'TY	DESCRIPTION	REMARKS	NOTE1	NOTE2
1		X505-000140	1	LABEL,CAUTION			
7		V475-003580	1	TUBE	7*170		
8		V430-001460	1	CABLE,BOWDEN			
9		900502-00006	2	NUT 6 (3N)	3N6		
10		610011-49931	1	SHAFT, DRIVE			
12		301207-07530	2	HOOK			
13		91119-05018	2	BOLT	10.9 SILVER		
14		V353-000090	2	COLLAR,5			
21		C450-000110	1	TRIGGER,THROTTLE			
22		V452-000200	1	SPRING,TORSION			
24		C461-000000	1	LATCH,THROTTLE			
25		178090-52632	1	LOCKOUT, T. CONTROL			
26		178013-52630	1	SPRING, THR. LOCK			
30		C050-000880	1	PIPE, MAIN	T2.0*28		
34		C062-000192	1	HARNESS,SHOULDER			
48		C461-000010	1	LATCH,THROTTLE			
49		V452-000120	1	SPRING,TORSION			
58		P021-012640	3	BRACKET ASM., HANDLE			
59	+	91118-05025	6	BOLT	CM-5*25		
60		V420-001061	3	CUSHION			
61		C624-000040	1	HANGER, HARNESS			
62		P021-009202	1	HANDLE ASY, LOOP			
63	+	351205-07131	1	HANDLE			
64	+	900242-05035	4	SCREW 5*35	5*35		
65	+	900242-05014	2	SCREW 5*14	5*14		
66	+	C405-000270	1	BRACKET,HANDLE			

7. Handle



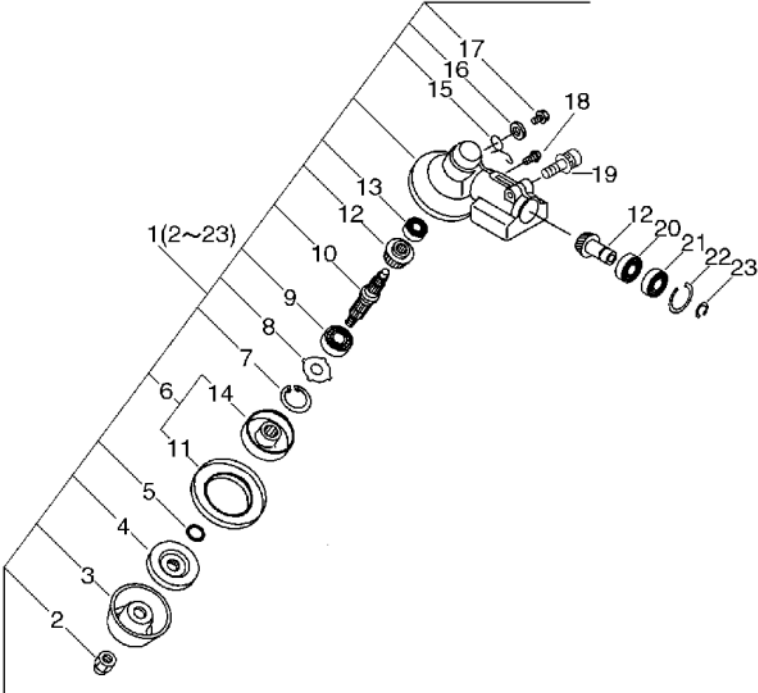
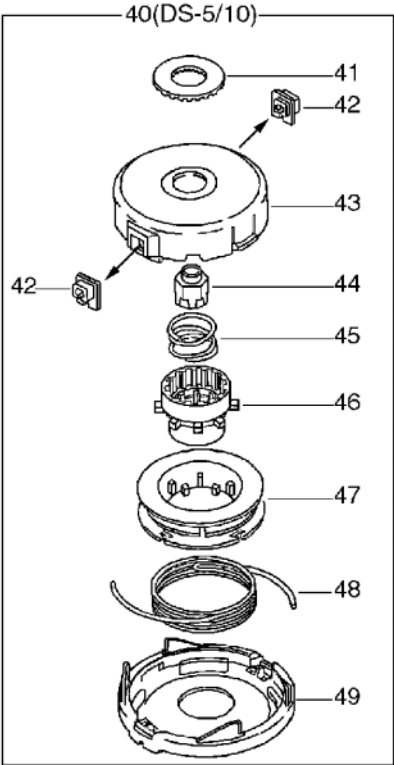
KEY	LV	PART NUMBER	Q'TY	DESCRIPTION	REMARKS	NOTE1	NOTE2
67	+	C405-000160	1	BRACKET,HANDLE			
68	+	900500-00005	4	NUT 5	5		
69		P021-014170	1	BRACKET SET,THROTTLE			
70	+	900238-05022	4	SCREW 5*22	5*22		
71	+	900500-00005	4	NUT 5	5		
72		A440-001080	1	SWITCH, ON OFF	LA105:CA104		
73		890152-04930	1	LABEL, CAUTION			
74		C423-000340	1	FIXTURE, HANDLE	28		
75		V420-001720	1	CUSHION			
76		900720-00032	1	O-RING 32	P-32		
77		900238-05040	1	SCREW 5*40	5*40		
78		900500-00005	1	NUT 5	5		

8. Gear Case, Cutter



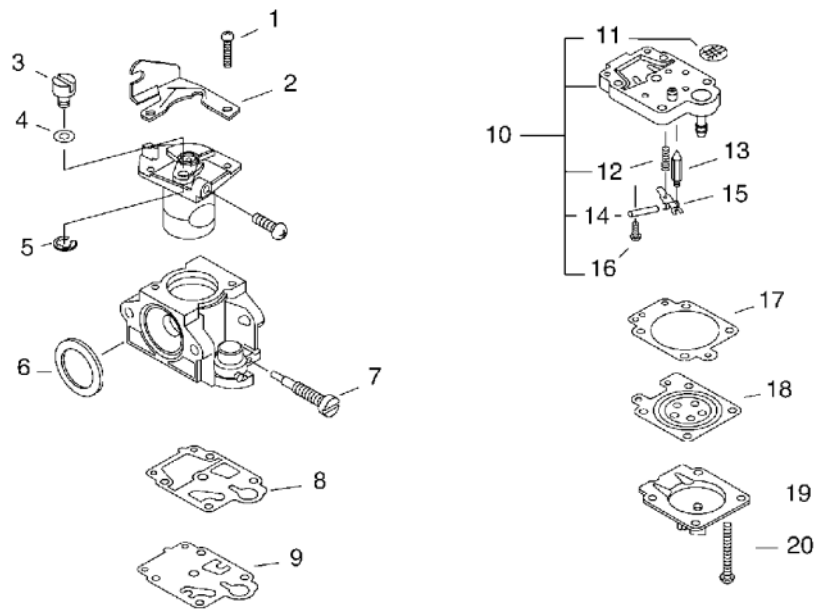
KEY	LV	PART NUMBER	Q'TY	DESCRIPTION	REMARKS	NOTE1	NOTE2
1		P021-012591	1	CASE,GEAR			
2	+	610320-52130	1	NUT 10			
3	+	699229-56830	1	PLATE, COVER			
4	+	610314-52130	1	PLATE, ADAPTER (L)			
5	+	900720-00012	1	O-RING 12	P-12		
6	+	C535-000001	1	FIXTURE,BLADE			
11	++	610352-56830	1	PLATE, CUP			
14	++	C535-000011	1	FIXTURE,BLADE			
7	+	900702-00032	1	CIRCLIP 32	CR-32		
8	+	610444-56830	1	WASHER			
9	+	900812-06201	1	BEARING, BALL 6201	6201DDU(LLU)		
10	+	610310-56931	1	SHAFT, P.T.O.			
12	+	610300-56930	1	GEAR SET			
13	+	900810-00629	1	BEARING, BALL 629	629		
15	+	610473-52131	1	SPRING			
16	+	900603-50008	1	WASHER	8.5*18*0.8T		
17	+	610434-50031	1	BOLT 8*8	M8*8		
18	+	900242-05010	1	SCREW 5*10	5*10		
19	+	91118-06030	1	BOLT	CM-6*30		
20	+	900800-06001	1	BEARING, BALL 6001	6001		
21	+	900803-06001	1	BEARING, BALL 6001	6001Z		
22	+	900702-00028	1	CIRCLIP 28	CR-28		
23	+	900701-00012	1	CIRCLIP 12	CS-12		
40		X047-000220	1	CUTTER,ASM LINE	DS-5 M10L		
41	+	V332-000000	1	WASHER,CIRCULAR 24			
42	+	P022-000710	2	EYELET	T4		

8. Gear Case, Cutter



KEY	LV	PART NUMBER	Q'TY	DESCRIPTION	REMARKS	NOTE1	NOTE2
43	+	P022-005040	1	HOUSING			
44	+	P022-001160	1	NUT			
45	+	P022-001200	1	SPRING	DS-5/10		
46	+	P022-019450	1	TAP KNOB			
47	+	P022-001180	1	BOBBIN	DS-5/10		
48	+	P022-006200	1	NYLON CODE	3.0*3M		
49	+	P022-005030	1	COVER			

9. Carburettor



KEY	LV	PART NUMBER	Q'TY	DESCRIPTION	REMARKS	NOTE1	NOTE2
		A021-001860	1	CARBURETOR,DIAPHRAGM	WYK-341		
1	+	123114-40630	2	SCREW			
2	+	P003-000180	1	BRACKET CABLE			
3	+	123172-45130	1	SWIVEL			
4	+	123149-54230	1	WASHER			
5	+	123173-07930	1	CLIP			
6	+	123143-12110	1	RING, PACKING			
7	+	P003-001130	1	NEEDLE, HIGH SPEED			
8	+	P003-000100	1	GASKET, PUMP			
9	+	123112-40630	1	DIAPHRAGM, PUMP			
10	+	P003-001490	1	BODY ASSEMBLY, PUMP			
11	++	123126-10631	1	SCREEN, INLET			
12	++	123122-05560	1	SPRING, METER. LEVER			
13	++	123137-19830	1	VALVE, INLET NEEDLE			
14	++	123138-03930	1	PIN, METERING LEVER			
15	++	123123-03930	1	LEVER, METERING			
16	++	123139-05560	1	SCREW, M. LEVER PIN			
17	+	123140-27230	1	GASKET,M. DIAPHRAGM			
18	+	P003-001850	1	DIAPHRAGM, METERING			
19	+	P003-001500	1	COVER, PRIMER PUMP			
20	+	123144-44330	4	SCREW			

Index

Patrs Number	Key No.	Patrs Number	Key No.	Patrs Number	Key No.
100012-12331	1 - 13	610473-52131	8 - 15	91118-05025	7 - 59
100213-00310	1 - 22	699013-56830	6 - 22	91118-05028	1 - 32
100213-05530	1 - 17	699229-56830	8 - 3	91118-06030	8 - 19
100215-03930	1 - 21	890152-04930	7 - 73	91119-05018	7 - 13
123112-40630	9 - 9	895610-00130	6 - 1	91121-05012	1 - 41
123114-40630	9 - 1	897518-01131	6 - 4	91121-05012	4 - 25
123122-05560	9 - 12	898510-07130	6 - 6	91121-05020	1 - 36
123123-03930	9 - 15	900105-05055	4 - 14	91121-05020	3 - 33
123126-10631	9 - 11	900106-05012	5 - 9	91121-05020	5 - 16
123137-19830	9 - 13	900106-05025	4 - 4	91121-05025	5 - 17
123138-03930	9 - 14	900162-05012	4 - 20	94035-36201	1 - 18
123139-05560	9 - 16	900162-05020	1 - 3	A011-000120	1 - 15
123140-27230	9 - 17	900162-05020	2 - 9	A021-001860	4 - 9
123143-12110	9 - 6	900162-05035	1 - 23	A021-001860	9 -
123144-44330	9 - 20	900238-05022	7 - 70	A051-001350	3 - 23
123149-54230	9 - 4	900238-05040	7 - 77	A052-000230	3 - 19
123172-45130	9 - 3	900242-04010	4 - 39	A101-000220	1 - 10
123173-07930	9 - 5	900242-05010	8 - 18	A128-000060	4 - 1
123181-39130	4 - 30	900242-05014	7 - 65	A130-000960	1 - 2
131004-55530	5 - 2	900242-05018	6 - 17	A162-000020	1 - 38
131016-55830	5 - 3	900242-05035	7 - 64	A172-000150	1 - 35
131051-56030	5 - 4	900252-05012	6 - 13	A200-000060	4 - 3
131205-19831	5 - 27	900323-03014	2 - 19	A226-000360	4 - 15
131300-56430	5 - 22	900500-00005	7 - 68	A232-000320	4 - 32
132010-53630	5 - 20	900500-00005	7 - 71	A239-000050	4 - 34
132012-02960	5 - 24	900500-00005	7 - 78	A244-000010	4 - 13
132012-39331	4 - 27	900502-00006	7 - 9	A310-000110	4 - 35
132013-26630	5 - 23	900519-00010	2 - 17	A312-000000	4 - 40
132013-26630	5 - 26	900565-00005	6 - 16	A313-000300	4 - 37
132115-55930	5 - 25	900603-50008	8 - 16	A313-001060	4 - 38
145866-42031	4 - 36	900628-00006	4 - 26	A350-000131	5 - 11
156114-04920	2 - 6	900701-00012	1 - 27	A390-000000	5 - 10
159017-31730	2 - 3	900701-00012	8 - 23	A390-000010	5 - 12
162010-55630	2 - 8	900702-00028	1 - 25	A393-000030	5 - 8
175049-03920	2 - 14	900702-00028	8 - 22	A393-000050	5 - 14
177228-27030	3 - 28	900702-00032	8 - 7	A409-000380	2 - 18
178013-52630	7 - 26	900702-00045	1 - 31	A411-000480	2 - 10
178090-52632	7 - 25	900720-00012	8 - 5	A426-000000	2 - 2
301207-07530	7 - 12	900720-00032	7 - 76	A427-000000	2 - 1
351205-07131	7 - 63	900800-06001	8 - 20	A440-001080	7 - 72
437215-20760	4 - 28	900803-06001	8 - 21	A553-000040	2 - 15
610011-49931	7 - 10	900807-06001	1 - 26	A556-000181	1 - 24
610300-56930	8 - 12	900810-00629	8 - 13	A557-000000	2 - 12
610310-56931	8 - 10	900810-36202	1 - 19	C050-000880	7 - 30
610314-52130	8 - 4	900812-06201	8 - 9	C062-000192	7 - 34
610320-52130	8 - 2	91100-06070	4 - 23	C405-000160	7 - 67
610352-56830	8 - 11	91118-05012	1 - 33	C405-000270	7 - 66
610434-50031	8 - 17	91118-05020	1 - 34	C423-000340	7 - 74
610444-56830	8 - 8	91118-05025	6 - 23	C450-000110	7 - 21

Index

Patrs Number	Key No.	Patrs Number	Key No.	Patrs Number	Key No.
C461-000000	7 - 24	V104-000930	4 - 19		
C461-000010	7 - 48	V141-000020	2 - 4		
C535-000001	8 - 6	V150-000550	4 - 22		
C535-000011	8 - 14	V186-000080	4 - 29		
C550-000080	6 - 11	V253-000100	4 - 31		
C550-000090	6 - 21	V307-000060	1 - 14		
C550-000100	6 - 15	V332-000000	8 - 41		
C554-000030	6 - 12	V353-000020	1 - 37		
C624-000040	7 - 61	V353-000090	7 - 14		
P003-000100	9 - 8	V420-000980	1 - 30		
P003-000180	9 - 2	V420-001061	7 - 60		
P003-001130	9 - 7	V420-001720	7 - 75		
P003-001490	9 - 10	V430-001460	7 - 8		
P003-001500	9 - 19	V451-000480	2 - 13		
P003-001850	9 - 18	V452-000120	7 - 49		
P021-002471	1 - 16	V452-000200	7 - 22		
P021-009202	7 - 62	V453-000100	2 - 16		
P021-009590	4 - 12	V471-001560	4 - 33		
P021-009600	4 - 18	V475-001610	2 - 5		
P021-012591	8 - 1	V475-003580	7 - 7		
P021-012640	7 - 58	V580-000010	1 - 12		
P021-013770	6 - 10	V608-000000	1 - 11		
P021-014170	7 - 69	X047-000220	8 - 40		
P021-016610	2 - 11	X502-000460	3 - 35		
P021-016840	1 - 9	X505-000140	7 - 1		
P021-016850	4 - 24	X547-001590	1 - 40		
P021-016870	1 - 39	X602-000020	6 - 3		
P021-016880	4 - 21	X690-000050	6 - 5		
P022-000710	8 - 42				
P022-001160	8 - 44				
P022-001180	8 - 47				
P022-001200	8 - 45				
P022-002100	3 - 20				
P022-003130	3 - 21				
P022-004680	3 - 31				
P022-005030	8 - 49				
P022-005040	8 - 43				
P022-006200	8 - 48				
P022-019450	8 - 46				
P022-023090	3 - 22				
P022-023100	3 - 29				
P022-023110	3 - 24				
P022-023120	3 - 26				
P022-023130	3 - 25				
P022-023140	3 - 30				
V100-000280	1 - 4				
V102-000001	1 - 20				
V103-000070	4 - 2				
V103-000080	4 - 5				

YAMABIKO CORPORATION

7-2 SUEHIROCHO 1-CHOME, OHME, TOKYO 198-8760, JAPAN
PHONE: 81-428-32-6118. FAX: 81-428-32-6145.

