



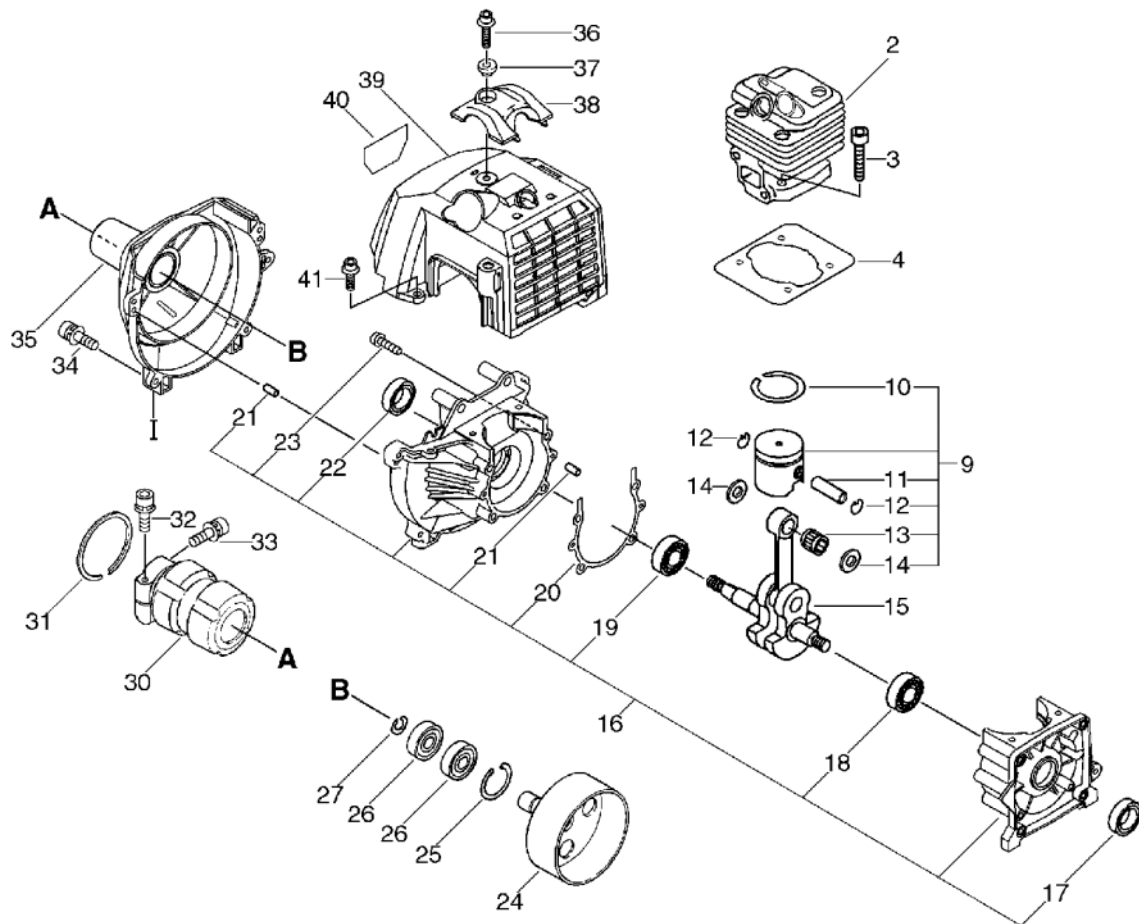
# **PARTS CATALOGUE**

## **GRASS-TRIMMER / BRUSHCUTTER**

### **SRM-410ES/U (36)**

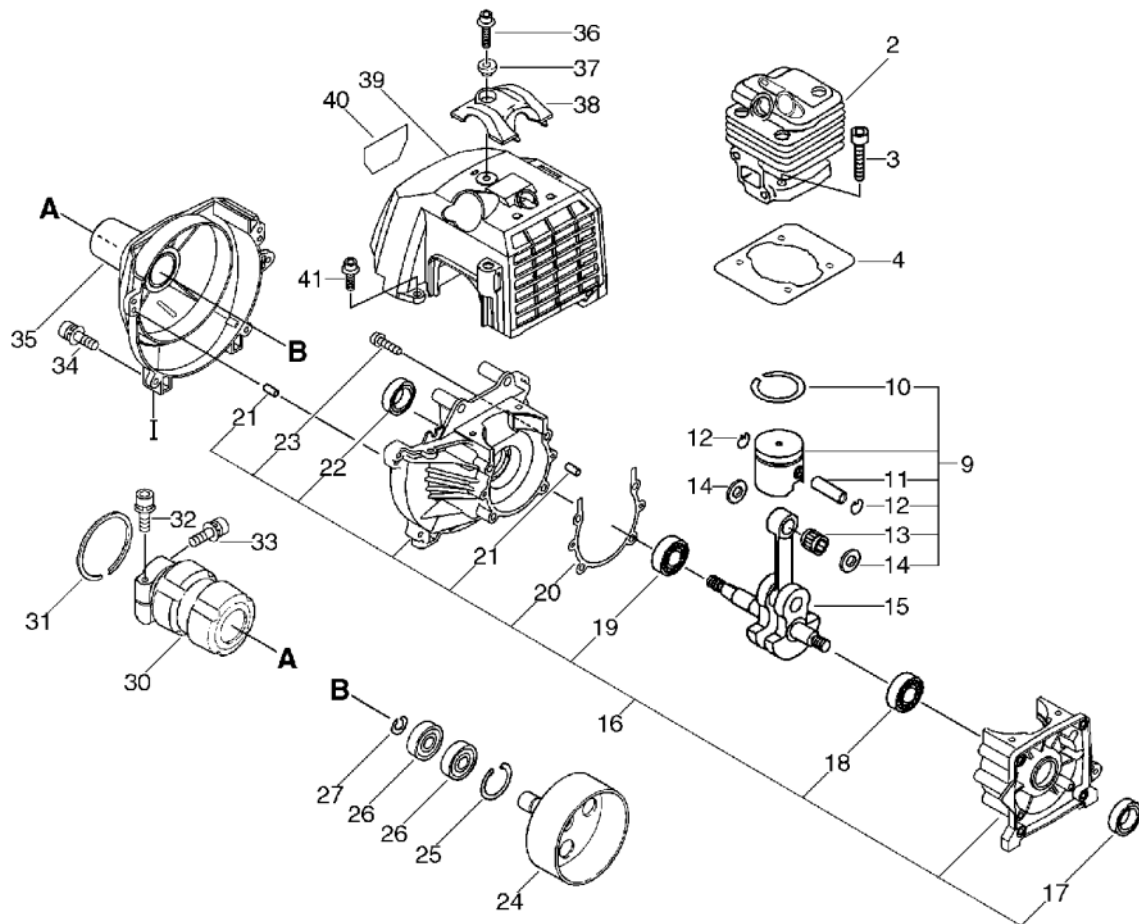
**36004656 -**

## 1. CYLINDER, CRANKCASE, PISTON



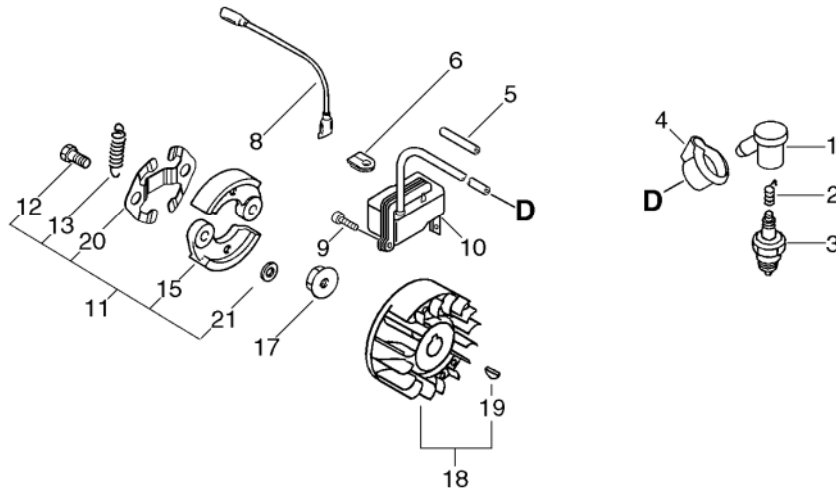
KEY	LV	PART NUMBER	Q'TY	DESCRIPTION	REMARKS	NOTE1	NOTE2
2		A130-000870	1	CYLINDER			
3		900162-05020	4	BOLT, H.S. 5*20	5*20 W,SW		
4		V100-000040	1	GASKET,CYL			
9		P021-014260	1	PISTON KIT			
10	+	100011-10530	1	RING, PISTON			
11	+	V608-000000	1	PIN,ENG 10			
12	+	V580-000010	2	RING,END	φ0.8		
13	+	100012-12331	1	BEARING, NEEDLE			
14	+	V307-000060	2	WASHER,CIRCULAR 10			
15		A011-000120	1	CRANKSHAFT,ASM			
16		P021-002471	1	CRANKCASE SET			
17	+	100213-05530	1	OILSEAL	ISCD 12 22 7		
18	+	94035-36201	1	BEARING BALL	6201X3JR2C3		
19	+	900810-36202	1	BEARING, BALL 6202	6202/C3		
20	+	V102-000001	1	GASKET,CRANKCASE			
21	+	100215-03930	4	PIN, DOWEL			
22	+	100213-00310	1	OILSEAL	ISCD 15 25 7		
23	+	900162-05035	4	BOLT, H.S. 5*35	5*35 W,SW		
24		A556-000181	1	DRUM,CLUTCH			
25		900702-00028	1	CIRCLIP 28	CR-28		
26		900807-06001	2	BEARING, BALL 6001	6001V(LB)		
27		900701-00012	1	CIRCLIP 12	CS-12		
30		V420-000980	1	CUSHION			
31		900702-00045	1	RING, RETAINING(IN)	CR-45		
32		91118-05028	1	BOLT	CM-5*28		
33		91118-05012	1	BOLT	CM-5*12		

## 1. CYLINDER, CRANKCASE, PISTON



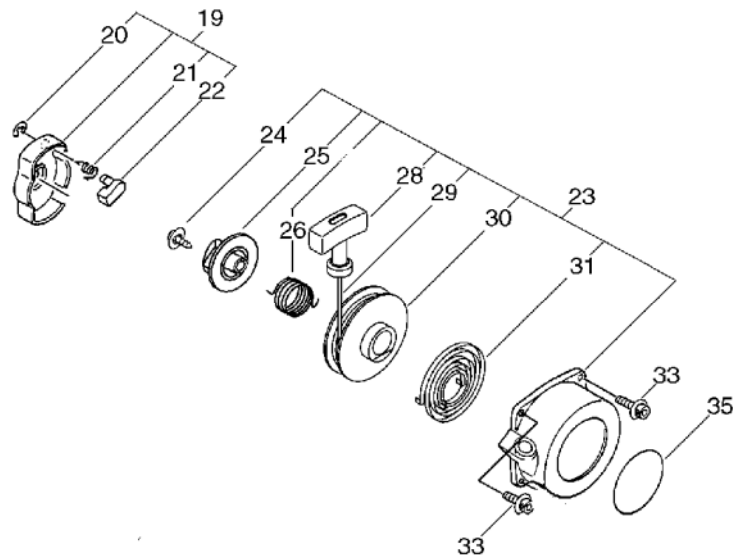
KEY	LV	PART NUMBER	Q'TY	DESCRIPTION	REMARKS	NOTE1	NOTE2
34		91118-05020	4	BOLT	CM-5*20		
35		A172-000150	1	COVER,FAN			
36		91121-05020	1	BOLT, FLANGE	10.9 SILVER		
37		V353-000020	1	COLLAR,5	12*5.5*4.5L		
38		A162-000020	1	GUARD, TOP			
39		A160-000241	1	COVER,CYLINDER			
40		X547-001390	1	LABEL,ECHO	ECHO+SRM-410ES		
41		91121-05012	1	BOLT, FLANGE	10.9 SILVER		

## 2. MAGNETO, CLUTCH



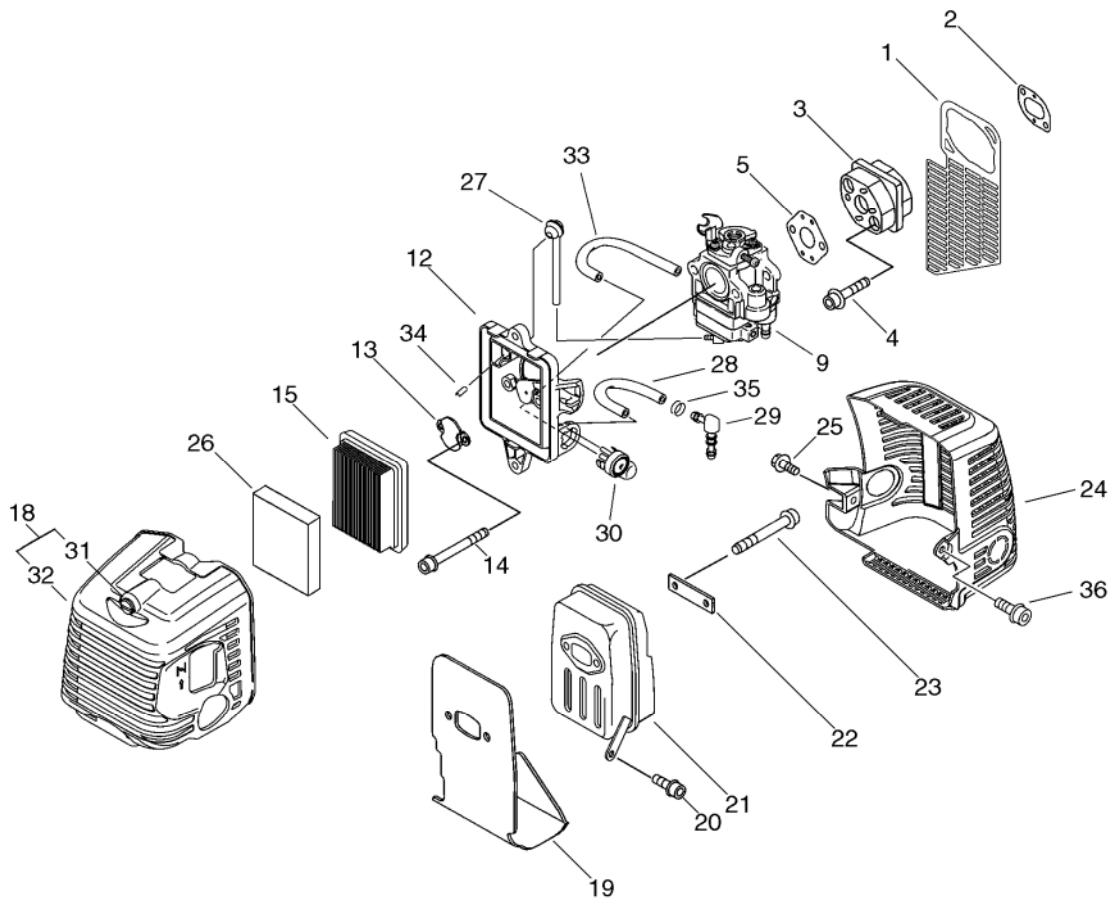
KEY	LV	PART NUMBER	Q'TY	DESCRIPTION	REMARKS	NOTE1	NOTE2
1		A427-000000	1	CAP, SPARK PLUG			
2		A426-000000	1	TERMINAL, SPARK PLUG			
3		159017-31730	1	PLUG, SPARK RCJ-6Y	RCJ-6Y		
4		V141-000020	1	GROMMET, PLUG			
5		V475-001610	1	TUBE	7*8.6*55 HST-10		
6		156114-04920	1	GROMMET			
8		162010-55630	1	LEAD, GROUND	170L		
9		900162-05020	2	BOLT, H.S. 5*20	5*20 W, SW		
10		A411-000050	1	COIL, IGNITION			
11		P021-016610	1	CLUTCH ASY			
12	+	A557-000000	2	SHAFT, CLUTCH			
13	+	V451-000480	1	SPRING, TENSION			
21	+	175049-03920	2	WASHER			
15	+	A553-000040	2	ARM, CLUTCH			
20	+	V453-000100	1	SPRING, FLAT	10.2		
17		900519-00010	1	NUT, FLANGE 10	10*1.25		
18		P021-005911	1	ROTOR, MAGNETO KIT			
19	+	900323-03014	1	KEY WOODRUFF	3*14		

## 3. RECOIL STARTER



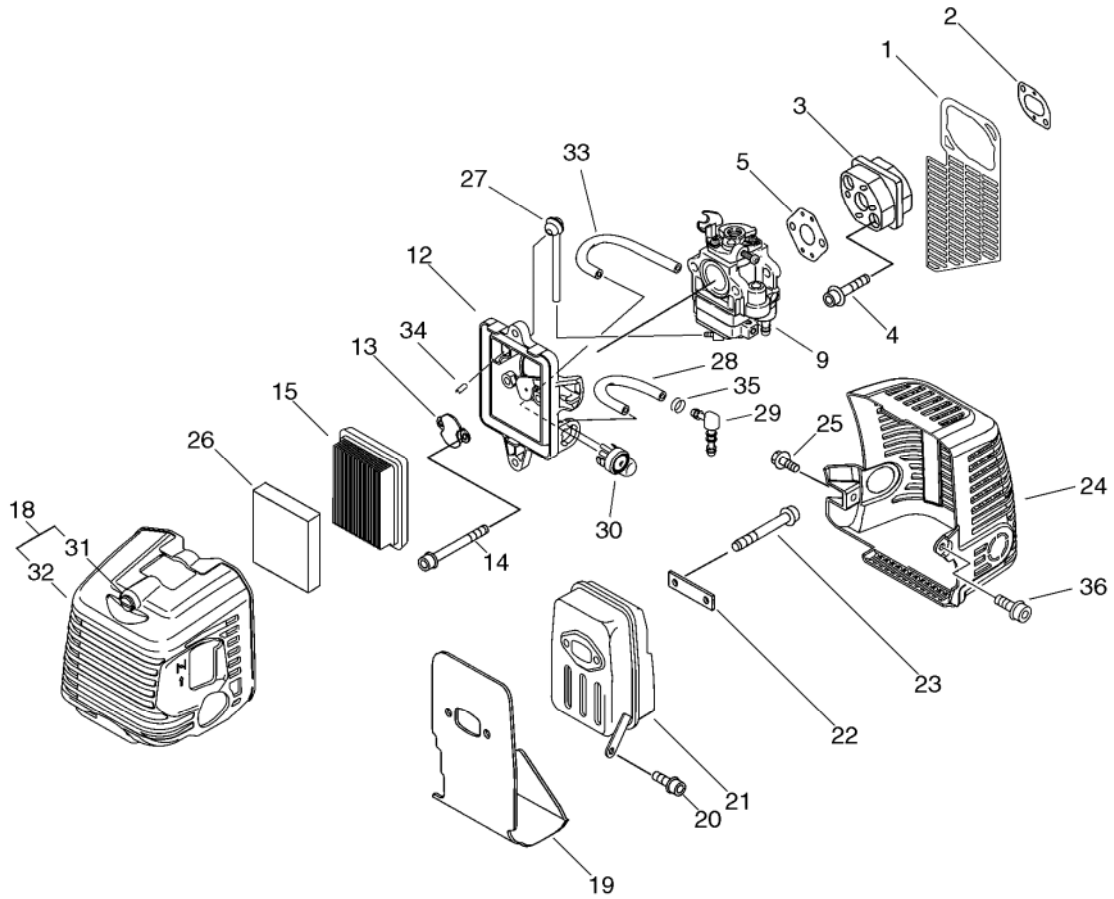
KEY	LV	PART NUMBER	Q'TY	DESCRIPTION	REMARKS	NOTE1	NOTE2
19		A052-000230	1	PULLEY,ASM STARTER			
20	+	P022-002100	2	E-RING	4		
21	+	P022-003130	2	SPRING, RETURN			
22	+	P022-023090	2	PAWL, STARTER			
23		A051-001350	1	STARTER,RECOIL ASY			
24	+	P022-023110	1	SCREW			
25	+	P022-023130	1	PLATE, CAM			
26	+	P022-023120	1	SPRING,DAMPER			
28	+	177228-27030	1	GRIP, STARTER			
29	+	P022-023100	1	ROPE, STARTER			
30	+	P022-023140	1	DRUM, STARTER			
31	+	P022-004680	1	SPRING, SPIRAL			
33		91121-05020	1	BOLT, FLANGE	10.9 SILVER		
35		X502-000460	1	LABEL,ECHO			

## 4. AIR CLEANER, CARBURETOR, MUFFLER



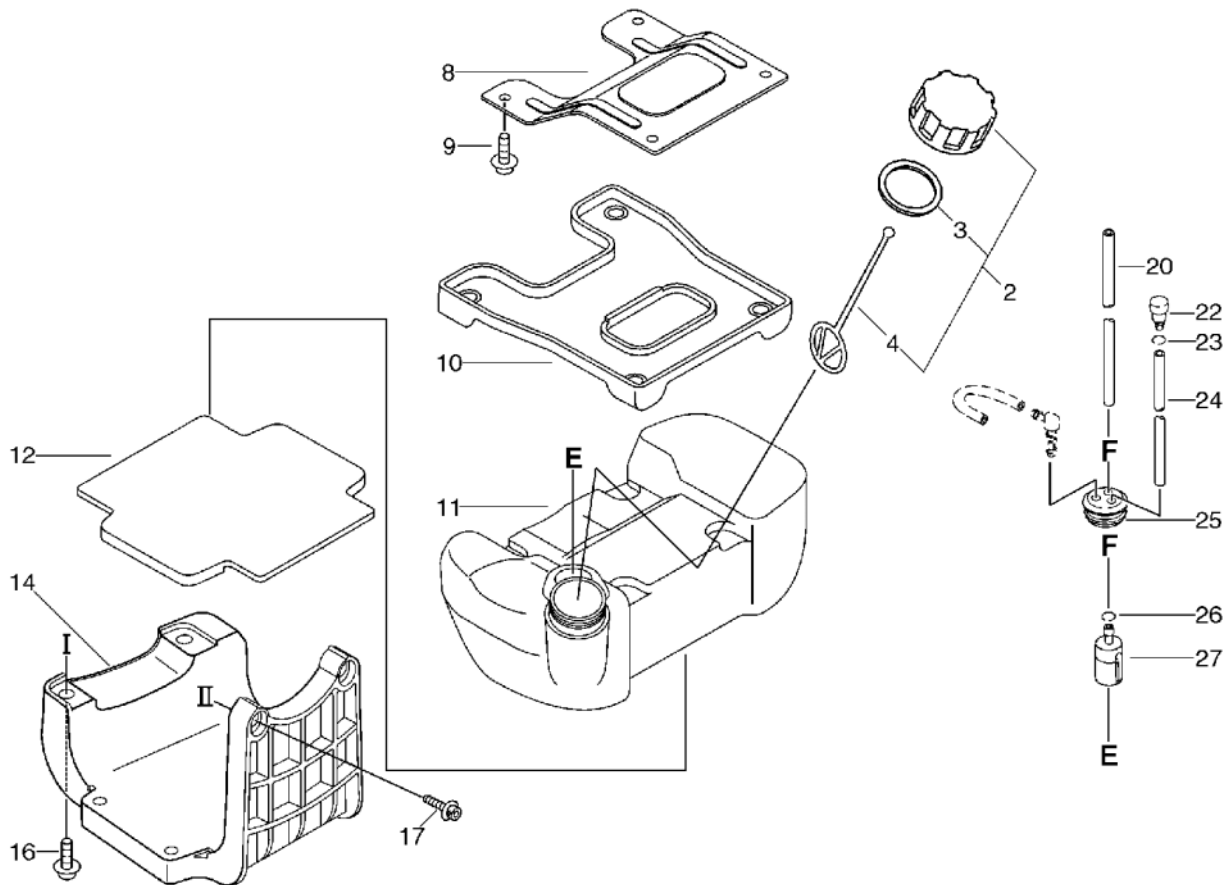
KEY	LV	PART NUMBER	Q'TY	DESCRIPTION	REMARKS	NOTE1	NOTE2
1		A128-000060	1	PLATE,DUST			
2		V103-000070	1	GASKET,INTAKE			
3		A200-000060	1	INSULATOR,INTAKE			
4		900106-05025	2	BOLT, H.S. 5*25	5*25		
5		V103-000080	1	GASKET,INTAKE			
9		A021-001172	1	CARBURETOR,DIAPHRAGM	WYK-226A		
12		P021-009590	1	CASE, AIR CLEANER			
13		A244-000010	1	PLATE,PREVENT			
14		900105-05055	2	BOLT, H.S. 5*55	5*55		
15		A226-000360	1	ELEMENT, AIR FILTER	AFP-2010K-300		
18		P021-009600	1	LID,CLEANER ASY			
31	+	V253-000100	2	SCREW,5	5*20		
32	+	A232-000320	1	LID,CLEANER			
19		V104-000210	1	GASKET,EXHAUST			
20		900162-05012	1	BOLT, H.S. 5*12	5*12 W,SW		
21		P021-008900	1	MUFFLER ASY			
22		V150-000550	1	PLATE,EYE			
23		900105-06060	2	BOLT, H.S. 6*60	6*60		
24		A320-000080	1	COVER,MUFFLER			
25		91121-05012	1	BOLT, FLANGE	10.9 SILVER		
27		132012-39331	1	PIPE	3*6*105		
28		437215-20760	1	PIPE 3*6*60	3*6*60 YL		
29		V186-000080	1	JOINT,PIPE			
30		123181-39130	1	PUMP, PRIMER			
33		V471-001560	1	PIPE	2.4*5*80		

4. AIR CLEANER, CARBURETOR, MUFFLER



KEY	LV	PART NUMBER	Q'TY	DESCRIPTION	REMARKS	NOTE1	NOTE2
34		A239-000050	1	PIPE, INTAKE			
35		132013-26630	1	CLIP	6.5MM		
36		91121-05020	1	BOLT, FLANGE	10.9 SILVER		

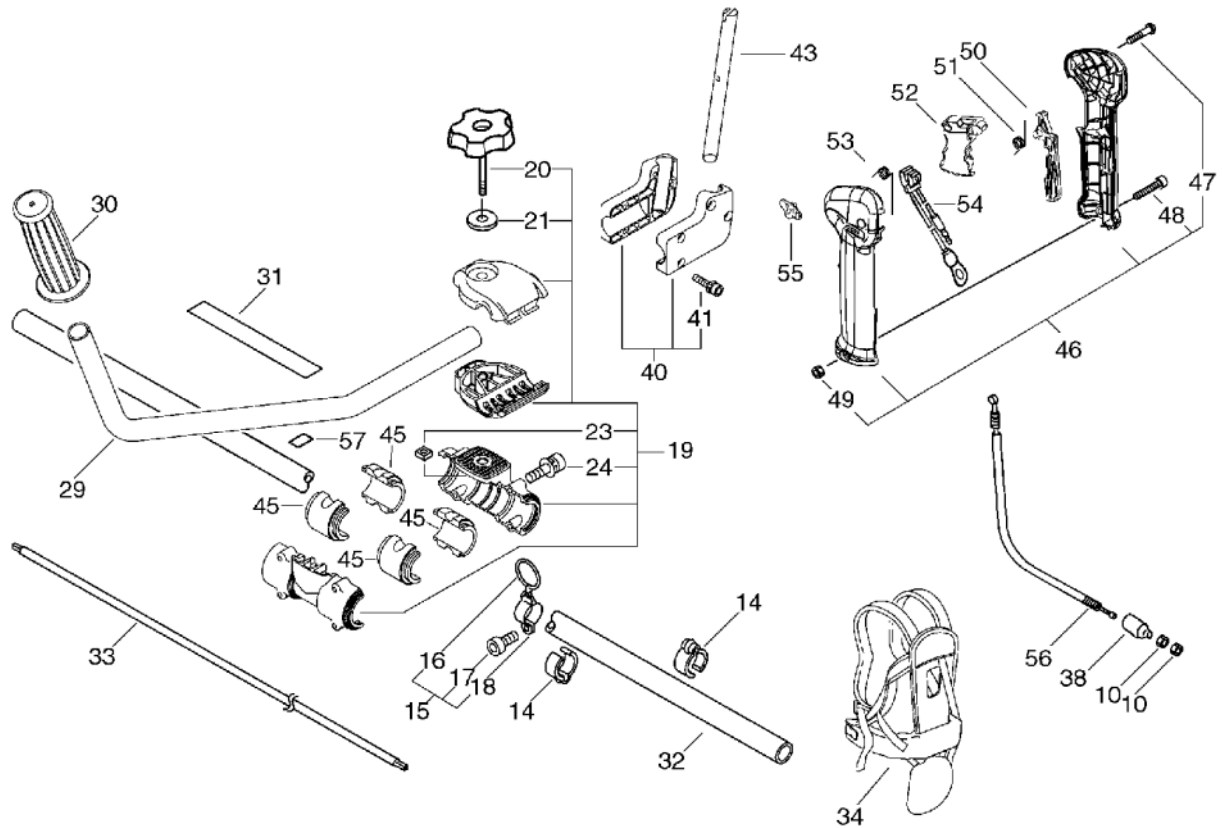
## 5. FUEL TANK



KEY	LV	PART NUMBER	Q'TY	DESCRIPTION	REMARKS	NOTE1	NOTE2
2		131004-55530	1	CAP ASSY, FUEL TANK			
3	+	131016-55830	1	GASKET, FUEL CAP			
4	+	131051-56030	1	CLIP, FUEL CAP	100L		
8		A393-000030	1	BRACKET, FUEL TANK			
9		900106-05012	4	BOLT, H.S. 5*12	5*12		
10		A390-000000	1	SEAT, FUEL TANK			
11		A350-000131	1	TANK, FUEL			
12		A390-000010	1	SEAT, FUEL TANK			
14		A393-000050	1	BRACKET, FUEL TANK			
16		91121-05020	2	BOLT, FLANGE	10.9 SILVER		
17		91121-05025	2	BOLT, FLANGE	10.9 SILVER		
20		132010-53630	1	PIPE	3*6*180 NBR		
22		131300-56430	1	VALVE, CHECK			
23		132013-26630	1	CLIP	6.5MM		
24		132012-02960	1	PIPE, FUEL	3*6*120L		
25		132115-55930	1	GROMMET, FUEL			
27		131205-19831	1	STRAINER, FUEL			

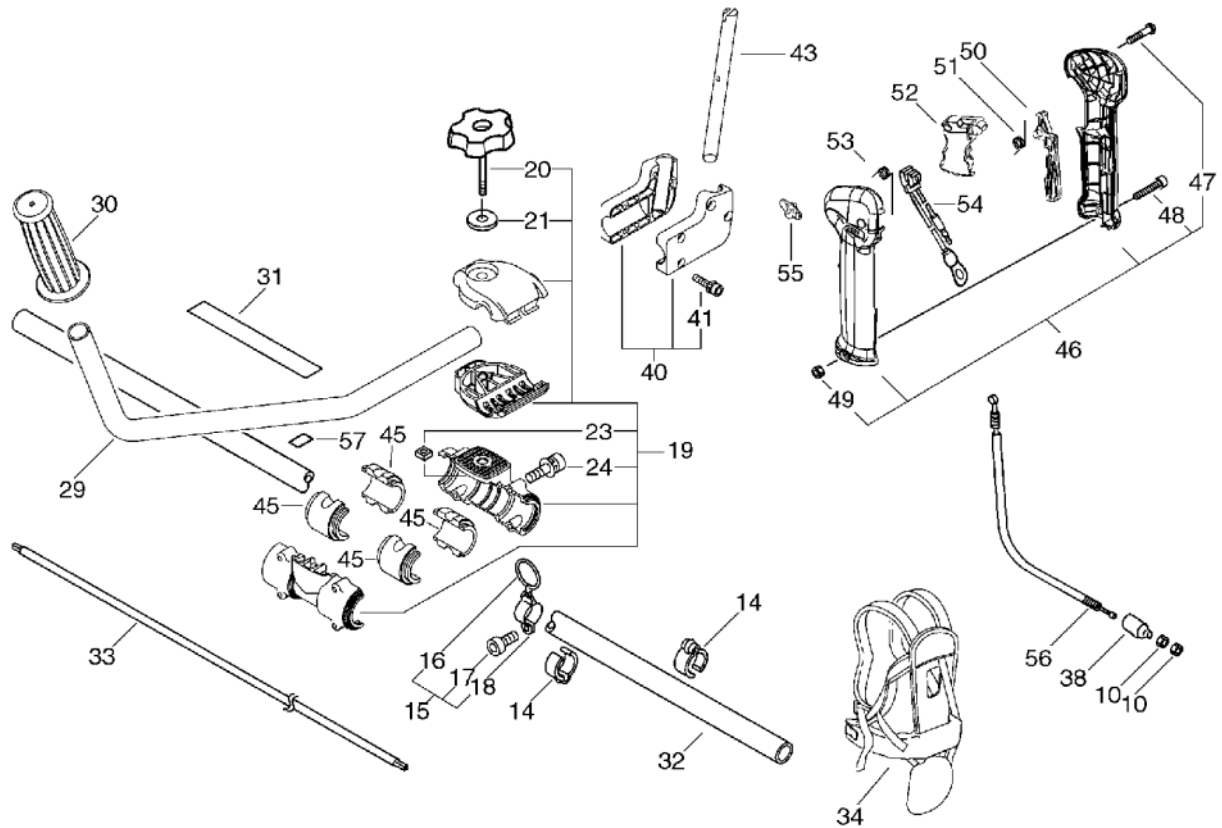


## 6. U-HANDLE



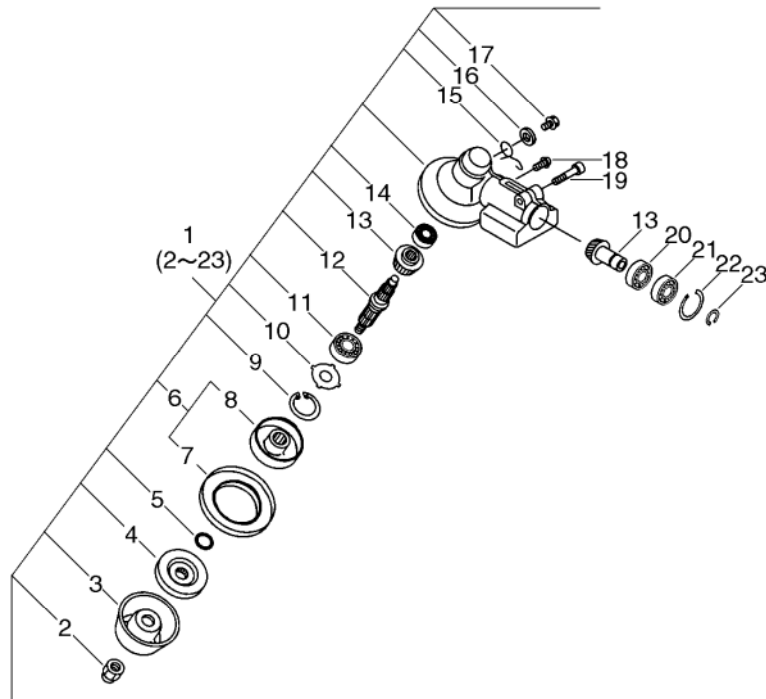
KEY	LV	PART NUMBER	Q'TY	DESCRIPTION	REMARKS	NOTE1	NOTE2
10		900502-00006	2	NUT 6 (3N)	3N6		
14		224924-52930	2	CLIP	28MM		
15		P021-012660	1	HOOK ASY			
16	+	301015-05330	1	HOOK, BAND			
17	+	91119-05012	1	BOLT			
18	+	301210-04630	1	HOOK			
19		P021-012750	1	BRACKET ASY, HANDLE			
20	+	V299-000110	1	KNOB,FASTENER			
21	+	605014-54230	1	WASHER			
23	+	900565-50008	1	NUT			
24	+	91118-05035	4	BOLT			
29		C400-000400	1	HANDLE,FRONT			
30		351213-47531	1	GRIP, HANDLE			
31		890617-43130	1	LABEL,CAUTION			
32		C050-000880	1	PIPE, MAIN	T2.0*28		
33		610011-49931	1	SHAFT, DRIVE			
34		C062-000192	1	HARNESS,SHOULDER			
38		V494-000080	1	CAP			
40		P021-012730	1	BRACKET ASY, HANDLE			
41	+	91118-05025	4	BOLT			
43		351210-47530	1	HANDLE, REAR			
45		V420-001120	4	CUSHION			
46		P021-014090	1	GRIP ASY,F-HANDLE			
47	+	900256-04016	3	SCREW 4*16			
48	+	91119-05030	1	BOLT			
49	+	900500-00005	1	NUT 5	5		

## 6. U-HANDLE



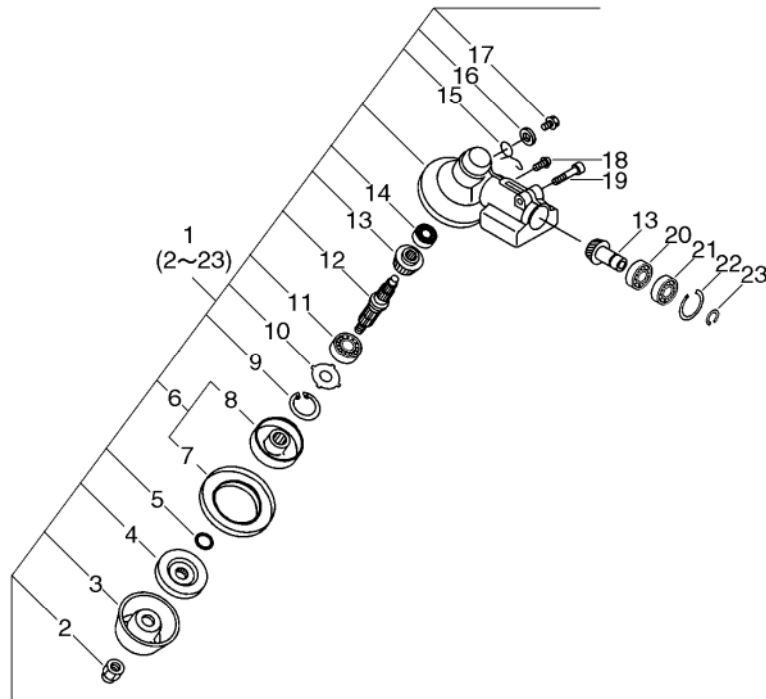
KEY	LV	PART NUMBER	Q'TY	DESCRIPTION	REMARKS	NOTE1	NOTE2
50		C460-000111	1	LOCKOUT, THROTTLE	70MM		
51		V452-000360	1	SPRING, TORSION			
52		C450-000270	1	CONTROL, THROTTLE			
53		V452-000350	1	SPRING, TORSION			
54		P021-014620	1	SWITCH, ON OFF			
55		C463-000020	1	KNOB, LATCH			
56		V430-002090	1	CABLE, BOWDEN	968+87.5		
57		890152-04930	1	LABEL, CAUTION			

## 7. GEAR CASE



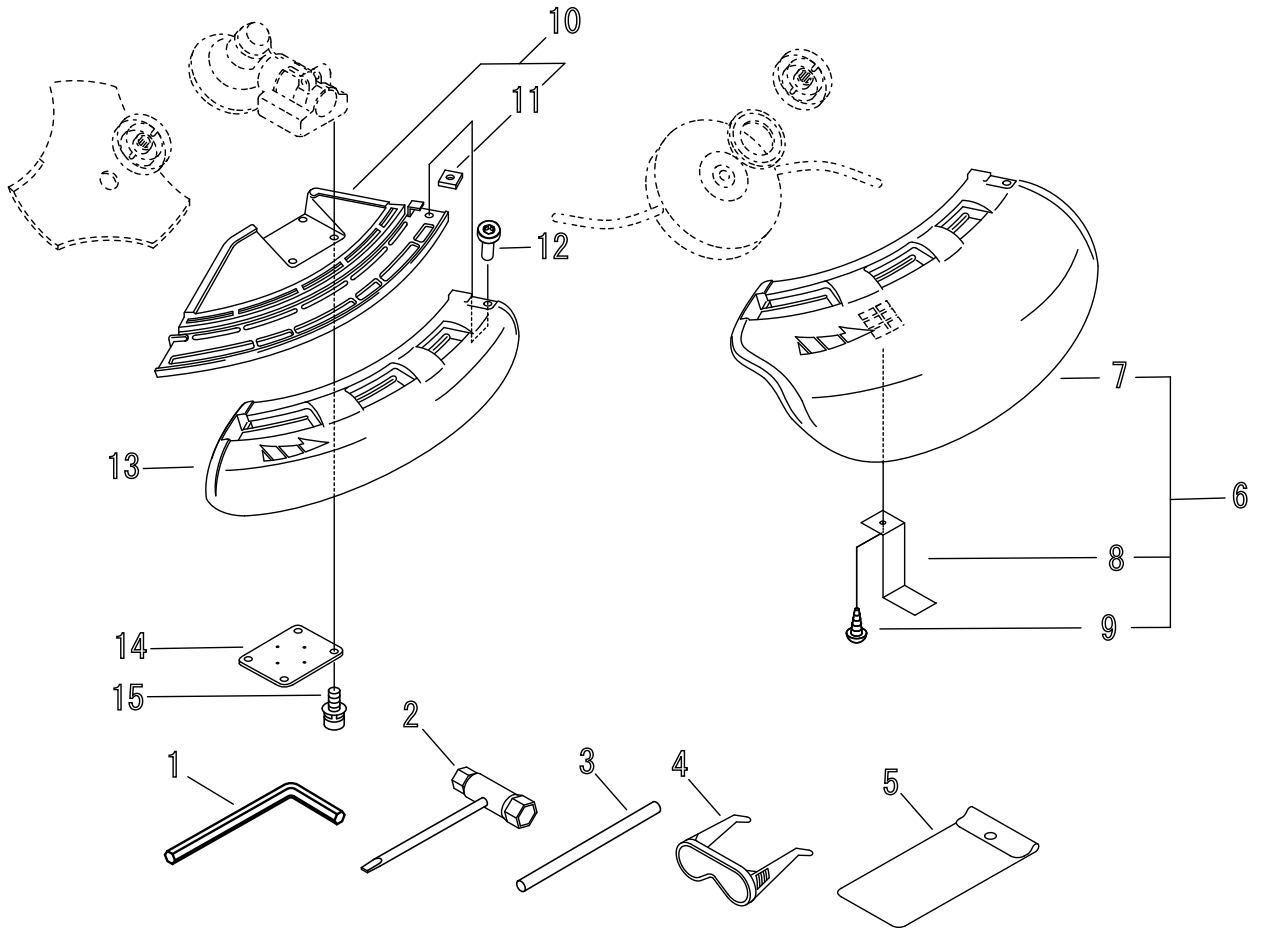
KEY	LV	PART NUMBER	Q'TY	DESCRIPTION	REMARKS	NOTE1	NOTE2
1		P021-012591	1	CASE,GEAR			
2	+	610320-52130	1	NUT 10			
3	+	699229-56830	1	PLATE, COVER			
4	+	610314-52130	1	PLATE, ADAPTER (L)			
5	+	900720-00012	1	O-RING 12	P-12		
6	+	610313-52932	1	FIXTURE, BLADE			
7	++	610352-56830	1	PLATE, CUP			
8	++	610313-52132	1	FIXTURE, BLADE			
9	+	900702-00032	1	CIRCLIP 32	CR-32		
10	+	610444-56830	1	WASHER			
11	+	900812-06201	1	BEARING, BALL 6201	6201DDU(LLU)		
12	+	610310-56931	1	SHAFT, P.T.O.			
13	+	610300-56930	1	GEAR SET			
14	+	900810-00629	1	BEARING, BALL 629			
15	+	610473-52131	1	SPRING			
16	+	900603-50008	1	WASHER	8.5*18*0.8T		
17	+	610434-50031	1	BOLT 8*8	M8*8		
18	+	900242-05010	1	SCREW 5*10			
19	+	91118-06030	1	BOLT			
20	+	900800-06001	1	BEARING, BALL 6001			
21	+	900803-06001	1	BEARING, BALL 6001			
22	+	900702-00028	1	CIRCLIP 28	CR-28		
23	+	900701-00012	1	CIRCLIP 12	CS-12		
1		895610-00130	1	L-WRENCH (4MM)			
2		X602-000020	1	TOOL, WRENCH	17*19 L200		
3		X606-000080	1	TOOL, BAR	5*120		

## 7. GEAR CASE



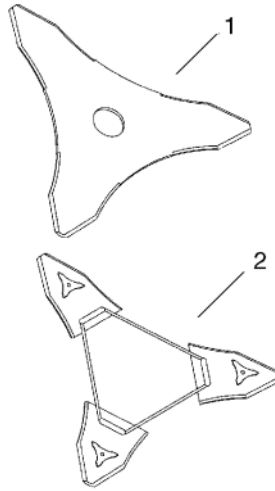
KEY	LV	PART NUMBER	Q'TY	DESCRIPTION	REMARKS	NOTE1	NOTE2
4		P021-002861	1	GOGGLES			
5		898510-07130	1	BAG, TOOL			
6		P021-013770	1	SHIELD KIT			
7	+	C550-000080	1	SHIELD, BLADE			
8	+	C554-000030	1	KNIFE, CORD			
9	+	900252-05012	1	SCREW 5*12			
10		C550-000100	1	SHIELD, BLADE			
11	+	900565-00005	1	NUT	5		
12		900242-05018	1	SCREW 5*18	5*18		
13		C550-000090	1	SHIELD, BLADE			
14		699013-56830	1	PLATE, SHIELD			
15		91118-05025	4	BOLT			

7. SHIELD



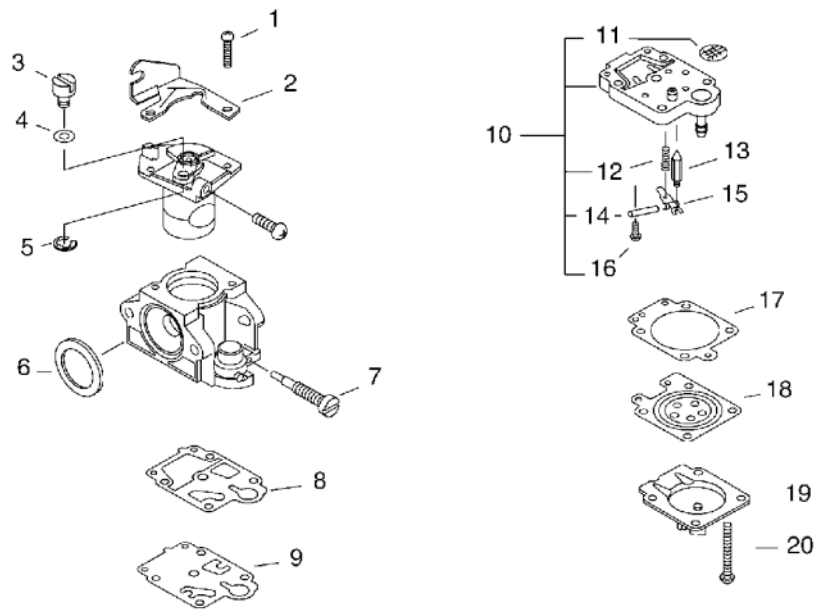
KEY	LV	PART NUMBER	Q'TY	DESCRIPTION	REMARKS	NOTE1	NOTE2
15		91118-05025	4	BOLT			

8. CUTTER



KEY	LV	PART NUMBER	Q'TY	DESCRIPTION	REMARKS	NOTE1	NOTE2
1		P021-014320	1	SAW,BUSH CUTTER	255*T3.0		
2		X495-000280	1	SCABBARD,BLADE	9", 10" 3 CUTTER		

## 9. CARBURETOR



KEY	LV	PART NUMBER	Q'TY	DESCRIPTION	REMARKS	NOTE1	NOTE2
		A021-001171	1	CARBURETOR,DIAPHRAGM	WYK-226A		
		A021-001172	1	CARBURETOR,DIAPHRAGM	WYK-226A		
1	+	123114-40630	2	SCREW			
2	+	P003-000180	1	BRACKET CABLE			
3	+	123172-45130	1	SWIVEL			
4	+	123149-54230	1	WASHER			
5	+	123173-07930	1	CLIP			
6	+	123143-12110	1	RING, PACKING			
7	+	P003-001130	1	NEEDLE, HIGH SPEED			
8	+	P003-000100	1	GASKET, PUMP			
9	+	123112-40630	1	DIAPHRAGM, PUMP			
10	+	P003-001490	1	BODY ASSEMBLY, PUMP			
11	++	123126-10631	1	SCREEN, INLET			
12	++	123122-05560	1	SPRING, METER. LEVER			
13	++	123137-19830	1	VALVE, INLET NEEDLE			
14	++	123138-03930	1	PIN, METERING LEVER			
15	++	123123-03930	1	LEVER, METERING			
16	++	123139-05560	1	SCREW, M. LEVER PIN			
17	+	123140-27230	1	GASKET,M. DIAPHRAGM			
18	+	P003-000090	1	METERING, DIAPHRAGM			
18	+	P003-001850	1	DIAPHRAGM, METERING			
19	+	P003-001500	1	COVER, PRIMER PUMP			
20	+	123144-44330	4	SCREW			

**Index**

<b>Patrs Number</b>	<b>Key No.</b>	<b>Patrs Number</b>	<b>Key No.</b>	<b>Patrs Number</b>	<b>Key No.</b>
100011-10530	1 - 10	610320-52130	7 - 2	91118-06030	7 - 19
100012-12331	1 - 13	610352-56830	7 - 7	91119-05012	6 - 17
100213-00310	1 - 22	610434-50031	7 - 17	91119-05030	6 - 48
100213-05530	1 - 17	610444-56830	7 - 10	91121-05012	1 - 41
100215-03930	1 - 21	610473-52131	7 - 15	91121-05012	4 - 25
123112-40630	9 - 9	699013-56830	7 - 14	91121-05020	1 - 36
123114-40630	9 - 1	699229-56830	7 - 3	91121-05020	3 - 33
123122-05560	9 - 12	890152-04930	6 - 57	91121-05020	4 - 36
123123-03930	9 - 15	890617-43130	6 - 31	91121-05020	5 - 16
123126-10631	9 - 11	895610-00130	7 - 1	91121-05025	5 - 17
123137-19830	9 - 13	898510-07130	7 - 5	94035-36201	1 - 18
123138-03930	9 - 14	900105-05055	4 - 14	A011-000120	1 - 15
123139-05560	9 - 16	900105-06060	4 - 23	A021-001171	9 -
123140-27230	9 - 17	900106-05012	5 - 9	A021-001172	4 - 9
123143-12110	9 - 6	900106-05025	4 - 4	A021-001172	9 -
123144-44330	9 - 20	900162-05012	4 - 20	A051-001350	3 - 23
123149-54230	9 - 4	900162-05020	1 - 3	A052-000230	3 - 19
123172-45130	9 - 3	900162-05020	2 - 9	A128-000060	4 - 1
123173-07930	9 - 5	900162-05035	1 - 23	A130-000870	1 - 2
123181-39130	4 - 30	900242-05010	7 - 18	A160-000241	1 - 39
131004-55530	5 - 2	900242-05018	7 - 12	A162-000020	1 - 38
131016-55830	5 - 3	900252-05012	7 - 9	A172-000150	1 - 35
131051-56030	5 - 4	900256-04016	6 - 47	A200-000060	4 - 3
131205-19831	5 - 27	900323-03014	2 - 19	A226-000360	4 - 15
131300-56430	5 - 22	900500-00005	6 - 49	A232-000320	4 - 32
132010-53630	5 - 20	900502-00006	6 - 10	A239-000050	4 - 34
132012-02960	5 - 24	900519-00010	2 - 17	A244-000010	4 - 13
132012-39331	4 - 27	900565-00005	7 - 11	A320-000080	4 - 24
132013-26630	4 - 35	900565-50008	6 - 23	A350-000131	5 - 11
132013-26630	5 - 23	900603-50008	7 - 16	A390-000000	5 - 10
132115-55930	5 - 25	900701-00012	1 - 27	A390-000010	5 - 12
156114-04920	2 - 6	900701-00012	7 - 23	A393-000030	5 - 8
159017-31730	2 - 3	900702-00028	1 - 25	A393-000050	5 - 14
162010-55630	2 - 8	900702-00028	7 - 22	A411-000050	2 - 10
175049-03920	2 - 21	900702-00032	7 - 9	A426-000000	2 - 2
177228-27030	3 - 28	900702-00045	1 - 31	A427-000000	2 - 1
224924-52930	6 - 14	900720-00012	7 - 5	A553-000040	2 - 15
301015-05330	6 - 16	900800-06001	7 - 20	A556-000181	1 - 24
301210-04630	6 - 18	900803-06001	7 - 21	A557-000000	2 - 12
351210-47530	6 - 43	900807-06001	1 - 26	C050-000880	6 - 32
351213-47531	6 - 30	900810-00629	7 - 14	C062-000192	6 - 34
437215-20760	4 - 28	900810-36202	1 - 19	C400-000400	6 - 29
605014-54230	6 - 21	900812-06201	7 - 11	C450-000270	6 - 52
610011-49931	6 - 33	91118-05012	1 - 33	C460-000111	6 - 50
610300-56930	7 - 13	91118-05020	1 - 34	C463-000020	6 - 55
610310-56931	7 - 12	91118-05025	6 - 41	C550-000080	7 - 7
610313-52132	7 - 8	91118-05025	7 - 15	C550-000090	7 - 13
610313-52932	7 - 6	91118-05028	1 - 32	C550-000100	7 - 10
610314-52130	7 - 4	91118-05035	6 - 24	C554-000030	7 - 8



**Index**

<b>Patrs Number</b>	<b>Key No.</b>	<b>Patrs Number</b>	<b>Key No.</b>	<b>Patrs Number</b>	<b>Key No.</b>
P003-000090	9 - 18	V452-000360	6 - 51		
P003-000100	9 - 8	V453-000100	2 - 20		
P003-000180	9 - 2	V471-001560	4 - 33		
P003-001130	9 - 7	V475-001610	2 - 5		
P003-001490	9 - 10	V494-000080	6 - 38		
P003-001500	9 - 19	V580-000010	1 - 12		
P003-001850	9 - 18	V608-000000	1 - 11		
P021-002471	1 - 16	X495-000280	8 - 2		
P021-002861	7 - 4	X502-000460	3 - 35		
P021-005911	2 - 18	X547-001390	1 - 40		
P021-008900	4 - 21	X602-000020	7 - 2		
P021-009590	4 - 12	X606-000080	7 - 3		
P021-009600	4 - 18				
P021-012591	7 - 1				
P021-012660	6 - 15				
P021-012730	6 - 40				
P021-012750	6 - 19				
P021-013770	7 - 6				
P021-014090	6 - 46				
P021-014260	1 - 9				
P021-014320	8 - 1				
P021-014620	6 - 54				
P021-016610	2 - 11				
P022-002100	3 - 20				
P022-003130	3 - 21				
P022-004680	3 - 31				
P022-023090	3 - 22				
P022-023100	3 - 29				
P022-023110	3 - 24				
P022-023120	3 - 26				
P022-023130	3 - 25				
P022-023140	3 - 30				
V100-000040	1 - 4				
V102-000001	1 - 20				
V103-000070	4 - 2				
V103-000080	4 - 5				
V104-000210	4 - 19				
V141-000020	2 - 4				
V150-000550	4 - 22				
V186-000080	4 - 29				
V253-000100	4 - 31				
V299-000110	6 - 20				
V307-000060	1 - 14				
V353-000020	1 - 37				
V420-000980	1 - 30				
V420-001120	6 - 45				
V430-002090	6 - 56				
V451-000480	2 - 13				
V452-000350	6 - 53				

# YAMABIKO CORPORATION

7-2 SUEHIROCHO 1-CHOME, OHME, TOKYO 198-8760, JAPAN  
PHONE: 81-428-32-6118. FAX: 81-428-32-6145.



10Hb  
No. 65-105