



PARTS CATALOGUE

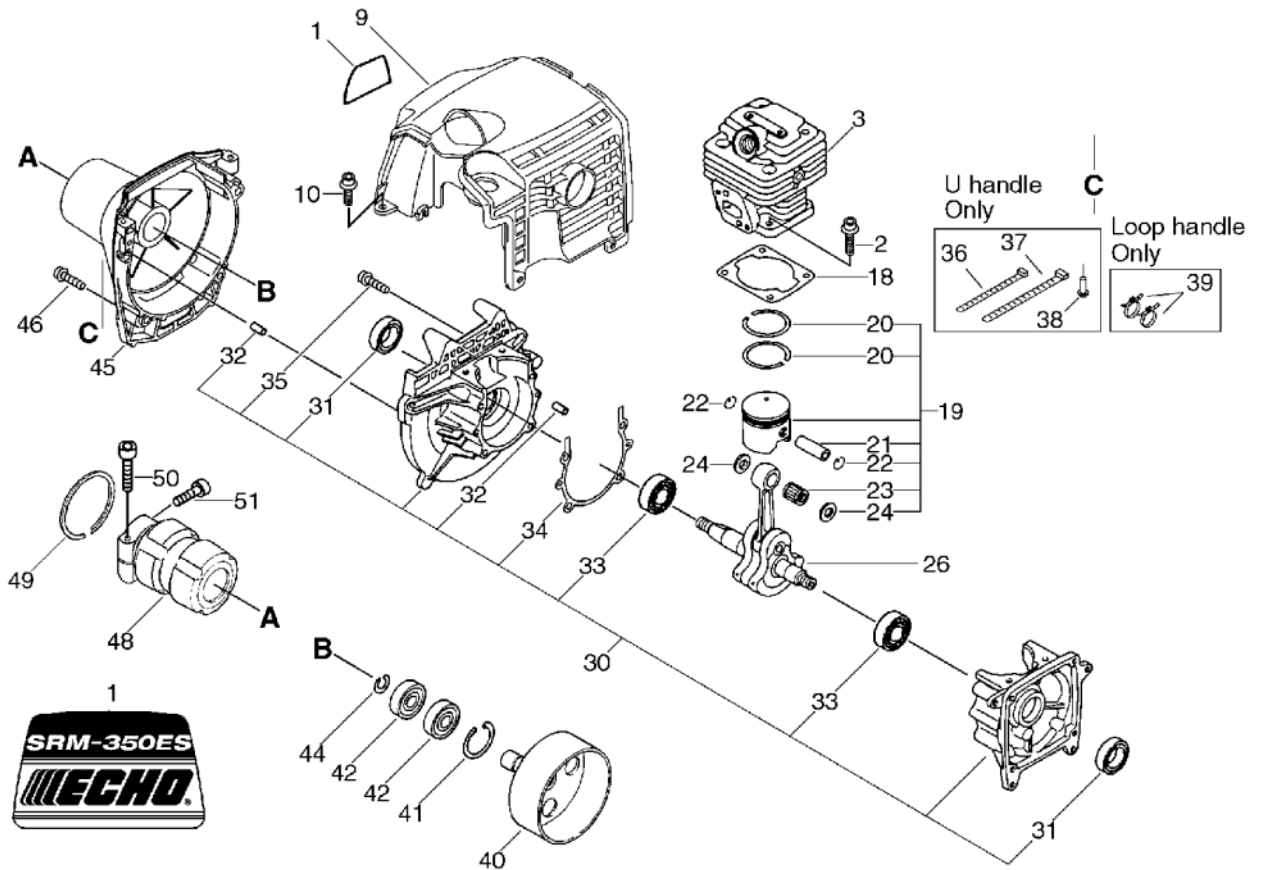
GRASS-TRIMMER / BRUSHCUTTER

SRM-350ES(36)

- 36020700

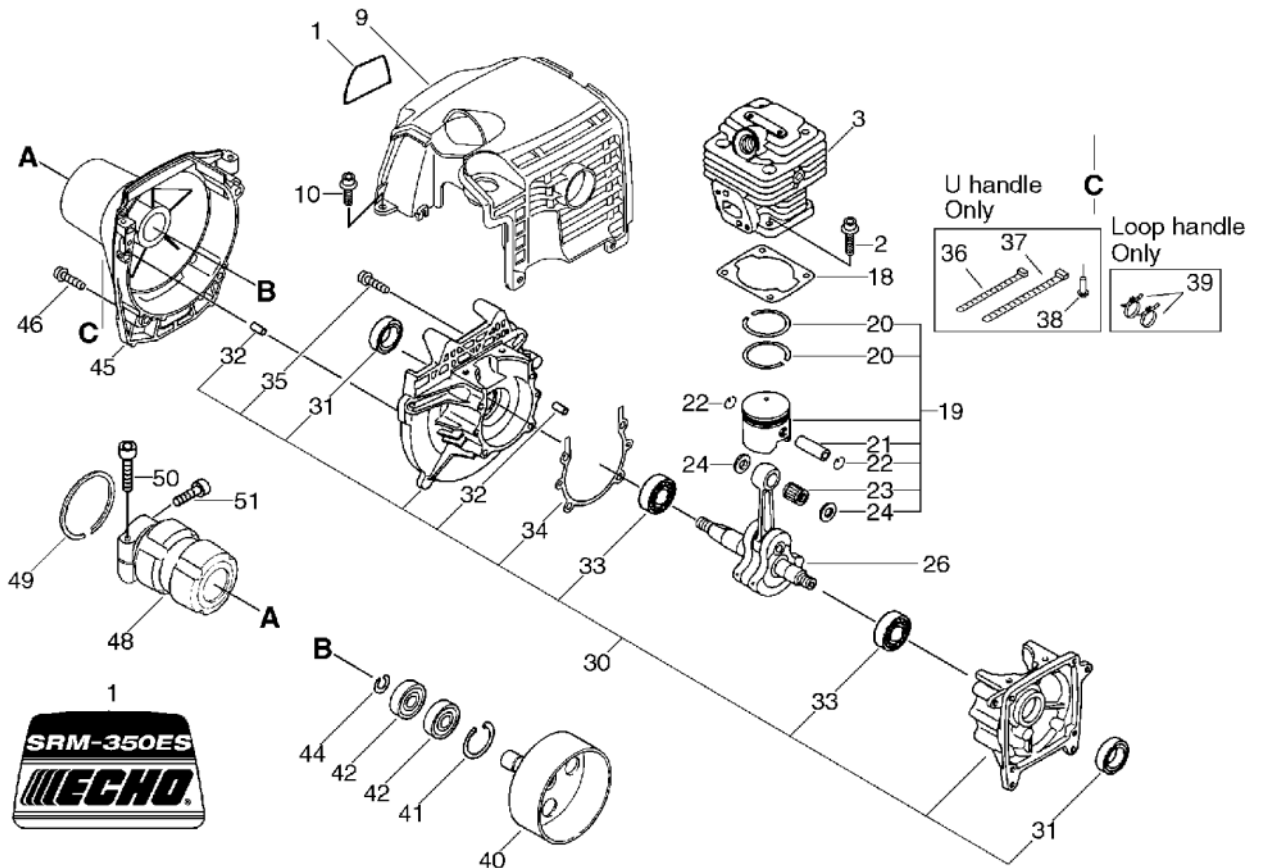
SRM-350ES(36)

1. Cylinder, Crankcase, Piston, Fan Cover



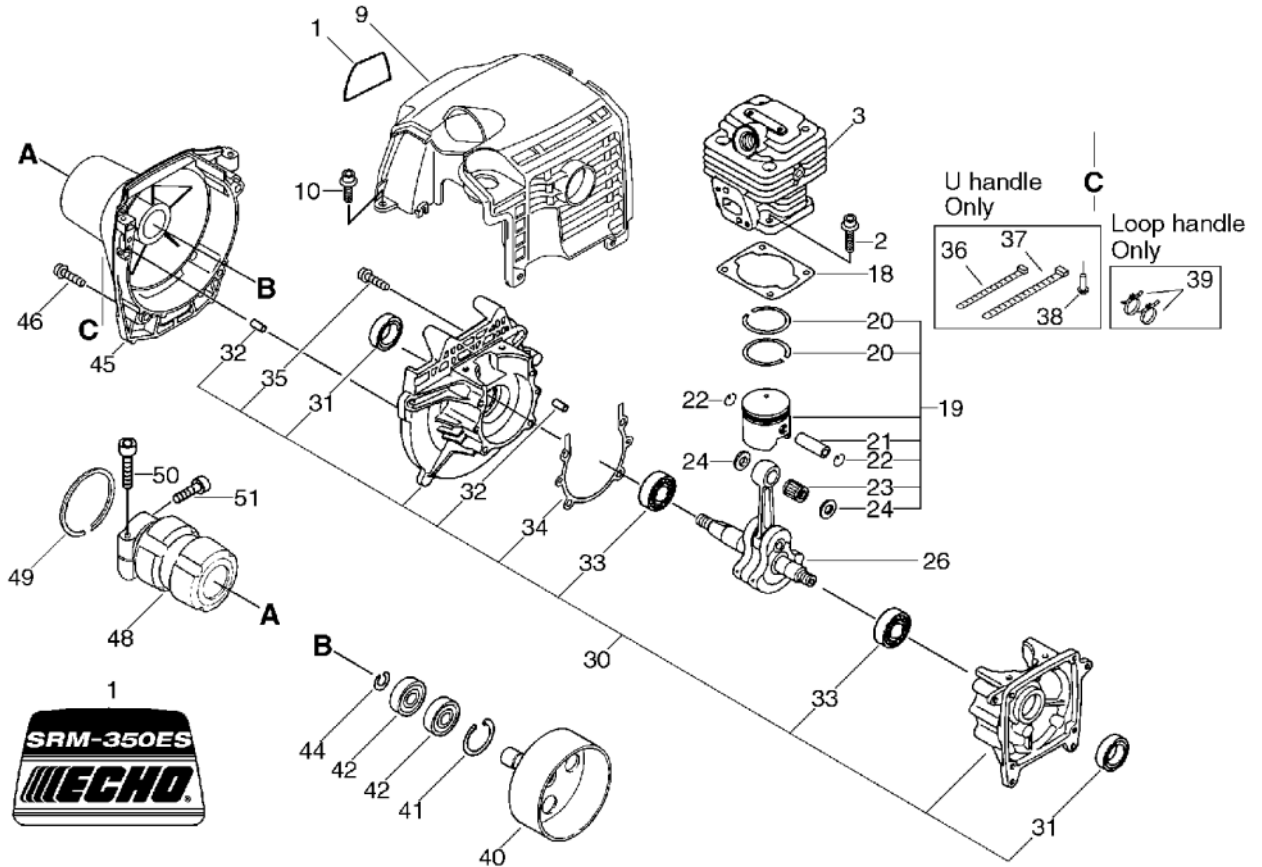
KEY	LV	PART NUMBER	Q'TY	DESCRIPTION	REMARKS	NOTE1	NOTE2
1		X503-005900	1	LABEL,MODEL	SRM-330ES	Sus. by X547-000140	
1		X547-000140	1	LABEL,ECHO	SRM-350ES	Sus. by X547-000990	
2		900162-05020	4	BOLT, H.S. 5*20	5*20 W,SW		
3		A130-000600	1	CYLINDER		Sus. by A130-000601	
3		A130-000601	1	CYLINDER			
9		A160-000390	1	COVER,CYLINDER		Sus. by A160-000391	
9		A160-000391	1	COVER,CYLINDER			
10		900106-05012	2	BOLT, H.S. 5*12	5*12	Sus. by 91121-05012	
18		101010-55430	1	GASKET, CYL. BASE			
19		P021-007410	1	PISTON KIT		Sus. by P021-015780	
20	+	100011-42230	2	RING, PISTON			
21	+	100013-27430	1	PIN, PISTON			
22	+	100015-03931	2	CIRCLIP, PISTON PIN			
23	+	100012-16131	1	BEARING, NEEDLE			
24	+	100014-53630	2	SPACER, PISTON PIN			
26		100100-55430	1	CRANKSHAFT ASSY			
30		100204-55430	1	CRANKCASE KIT			
31	+	100213-05530	2	OILSEAL	ISCD 12 22 7		
32	+	100215-03930	4	PIN, DOWEL			
33	+	94035-36201	2	BEARING BALL	6201X3JR2C3		

1. Cylinder, Crankcase, Piston, Fan Cover



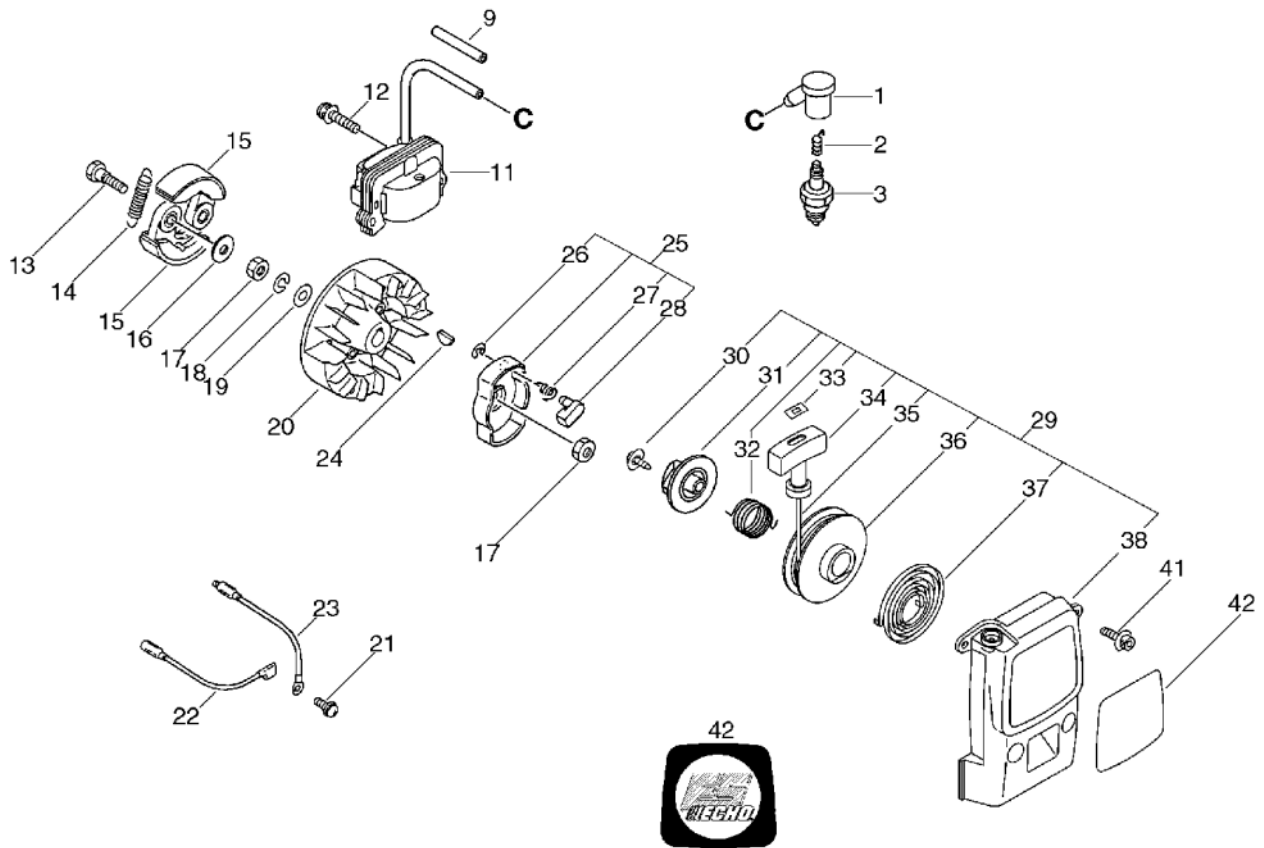
KEY	LV	PART NUMBER	Q'TY	DESCRIPTION	REMARKS	NOTE1	NOTE2
34	+	100242-55430	1	GASKET, CRANKCASE			
35	+	900162-05030	4	BOLT, H.S. 5*30	5*30 W,SW		
36		178121-43230	1	BAND	CV-150 BL	Sr/Nr 36002251 and after/Loop handle only	
37		V495-000760	1	BAND	CV-250A	Sr/Nr 36002251 and after/Loop handle only	
38		302013-10910	1	RIVET		Sr/Nr 36002251 and after/Loop handle only	
39		V491-000130	2	CLIP	RICHCO SRC-10-01	Sus. by V491-000160	
39		V491-000160	1	CLIP		Sr/Nr 36002251 and after/U-handle only	
40		175005-49930	1	DRUM, CLUTCH			
41		900702-00028	1	CIRCLIP 28	CR-28		
42		900807-06001	2	BEARING, BALL 6001	6001V(LB)		
44		900701-00012	1	CIRCLIP 12	CS-12		
45		A172-000260	1	COVER,FAN		Loop handle only	

1. Cylinder, Crankcase, Piston, Fan Cover



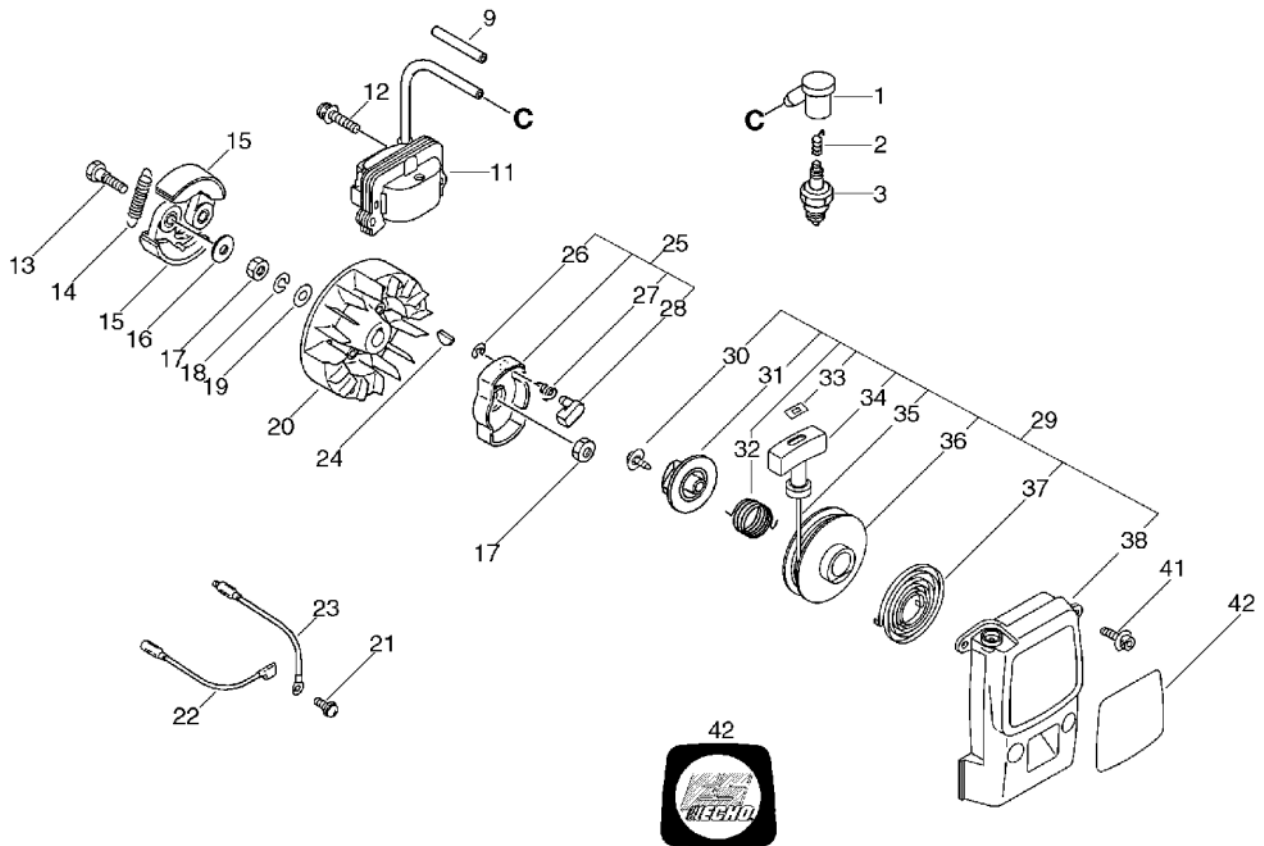
KEY	LV	PART NUMBER	Q'TY	DESCRIPTION	REMARKS	NOTE1	NOTE2
45		A172-000540	1	COVER,FAN		Sr/Nr 36002251 and after/U-handle only	
46		900162-05020	4	BOLT, H.S. 5*20	5*20 W,SW	Sus. by 91118- 05020	
48		V420-000420	1	CUSHION			
49		900702-00045	1	RING, RETAINING(IN)	CR-45		
50		900162-05028	1	BOLT, H.S. 5*28	5*28 W,SW	Sus. by 91118- 05028	
51		900162-05012	1	BOLT, H.S. 5*12	5*12 W,SW	Sus. by 91118- 05012	

2. Starter, Magneto, Clutch



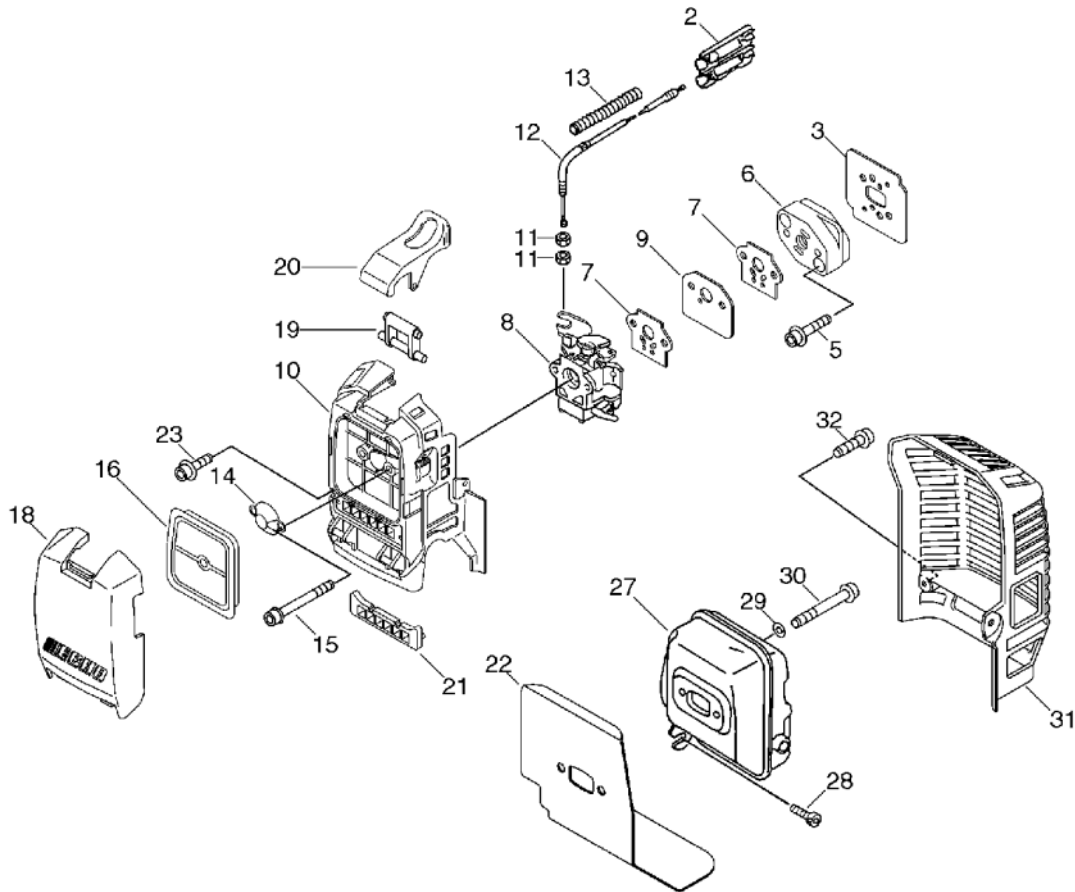
KEY	LV	PART NUMBER	Q'TY	DESCRIPTION	REMARKS	NOTE1	NOTE2
1		A427-000000	1	CAP, SPARK PLUG			
2		A426-000000	1	TERMINAL, SPARK PLUG			
3		159010-10230	1	PLUG, SPARK (BPMR-7A)	BPMR-7A		
9		437412-16430	1	TUBE, PROTECTOR			
11		152626-55730	1	COIL, IGNITION			
12		900162-05020	2	BOLT, H.S. 5*20	5*20 W, SW		
13		175046-46430	2	BOLT, CLUTCH			
14		175018-49931	1	SPRING, CLUTCH		Sus. by 175018-49932	
14		175018-49932	1	SPRING, CLUTCH			
15		A553-000000	2	ARM, CLUTCH			
16		175048-05530	2	WASHER (I)	6.2*19*1.0		
17		900502-00008	2	NUT 8 (3N)	3N8		
18		900605-00008	1	WASHER, SPRING 8	8		
19		900600-00008	1	WASHER 8	8		
20		152801-55430	1	ROTOR, MAGNET			
21		900238-05010	1	SCREW 5*10	5*10		
22		V485-000230	1	LEAD			
23		V485-000240	1	LEAD			
24		100142-12330	1	KEY, WOODRUFF			
25		A052-000190	1	PULLEY, ASM STARTER			
26	+	P022-002100	2	E-RING	4		
27	+	177234-40630	2	SPRING, RETURN			
28	+	P022-006850	2	PAWL, STARTER			
29		A051-000760	1	STARTER, RECOIL			
30	+	177236-61830	1	SCREW			

2. Starter, Magneto, Clutch



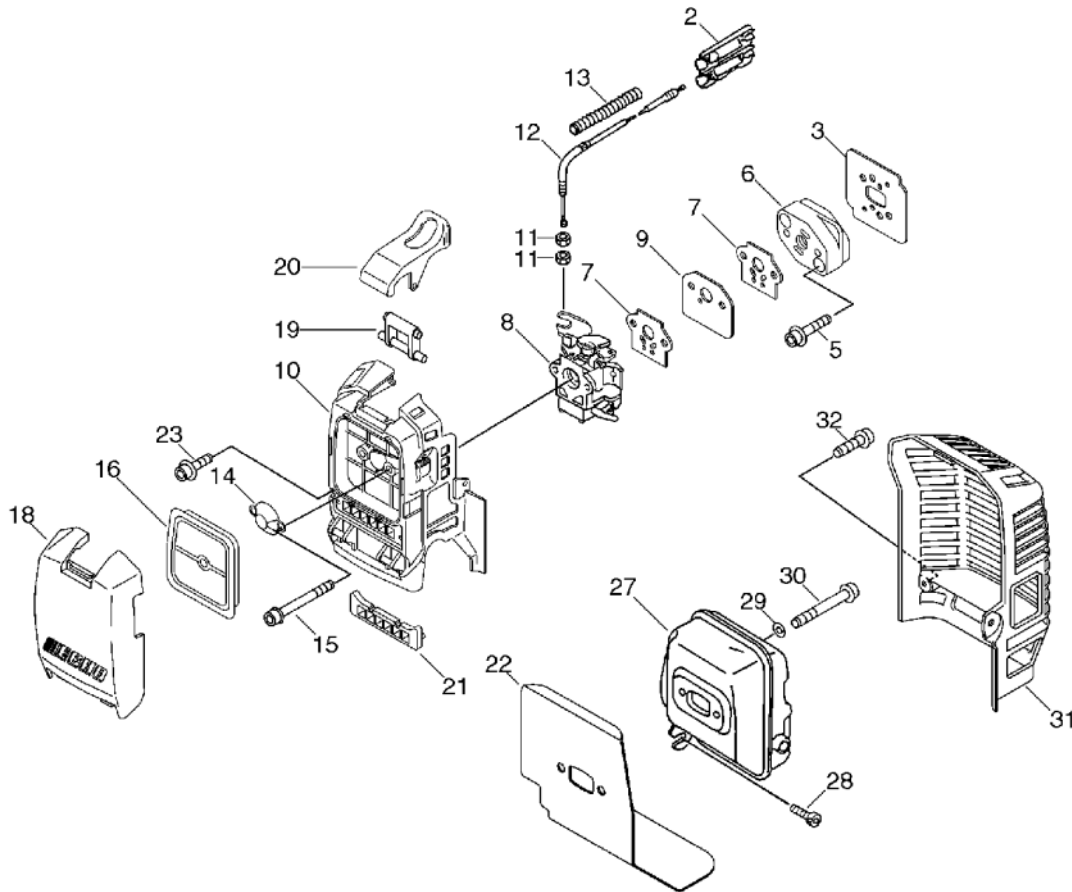
KEY	LV	PART NUMBER	Q'TY	DESCRIPTION	REMARKS	NOTE1	NOTE2
31	+	P022-008460	1	PLATE, CAM			
32	+	P022-008450	1	SPRING,DAMPER			
33	+	177246-11120	1	CLIP, STARTER ROPE			
34	+	177228-27030	1	GRIP, STARTER			
35	+	P022-008440	1	ROPE, STARTER	3.5*900		
36	+	P022-008470	1	DRUM			
37	+	177220-40630	1	SPRING, REWIND			
38	+	P022-008540	1	STARTER, RECOIL			
41		900106-05016	4	BOLT, H.S. 5*16	5*16	Sus. by 91121-05016	
42		X502-000170	1	LABEL,ECHO		Sus. by X502-000070	
42		X502-000070	1	LABEL,ECHO		Sus. by X502-000520	

3. Air Cleaner, Muffler



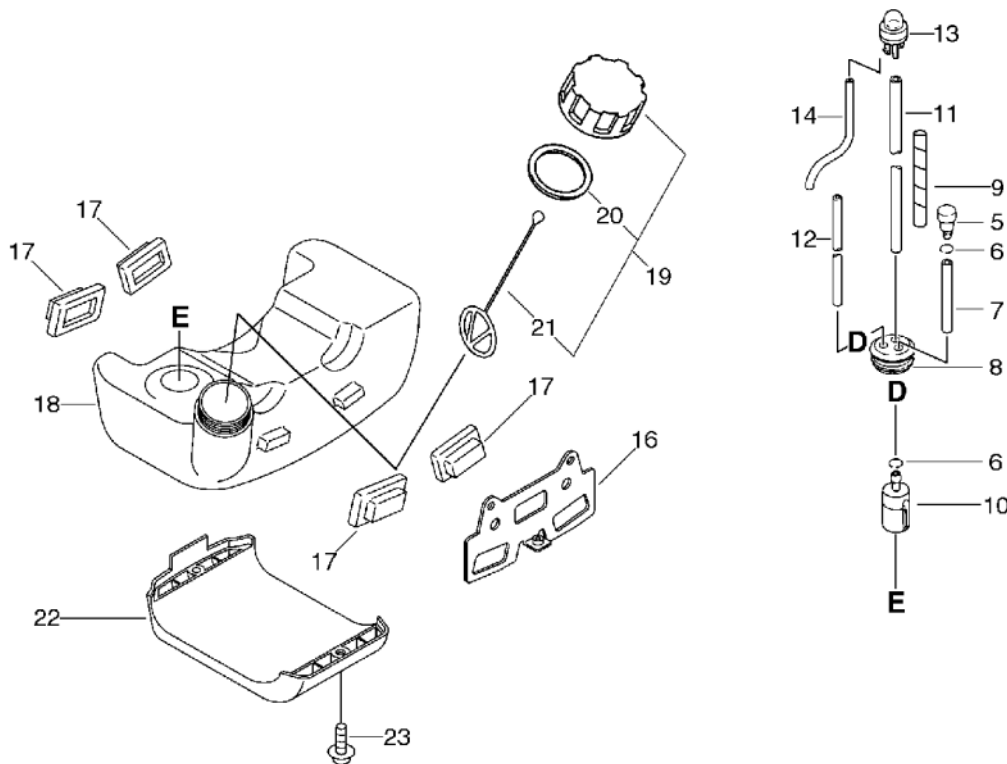
KEY	LV	PART NUMBER	Q'TY	DESCRIPTION	REMARKS	NOTE1	NOTE2
2		178081-55931	1	CONNECTOR,CABLE			
3		V103-000150	1	GASKET,INTAKE			
5		900162-05025	2	BOLT, H.S. 5*25	5*25 W,SW		
6		A200-000090	1	INSULATOR,INTAKE			
7		V103-000160	2	GASKET,INTAKE			
8		A021-000930	1	CARBURETOR,DIAPHRAGM	WYJ-373	Sus. by A021-000931	
8		A021-000931	1	CARBURETOR,DIAPHRAGM	WYJ-373A		
9		A200-000100	1	INSULATOR,INTAKE			
10		P021-004280	1	CASE,AIR CLEANER			
11		900502-00006	2	NUT 6 (3N)	3N6		
12		V430-000540	1	CABLE,BOWDEN			
13		V475-002210	1	TUBE			
14		A244-000010	1	PLATE,PREVENT			
15		900105-05060	2	BOLT, H.S. 5*60	5*60		
16		A226-000140	1	ELEMENT,AIR FILTER			
18		A232-000151	1	LID,CLEANER			
19		J485-000030	1	HINGE			
20		A235-000100	1	KNOB,CLEANER LID			
21		V420-000640	1	CUSHION			
22		V104-000330	1	GASKET,EXHAUST			
23		900106-05012	1	BOLT, H.S. 5*12	5*12		
27		145610-55230	1	MUFFLER		Sus. by P021-008870	
27		P021-008870	1	MUFFLER ASY			
28		900162-05012	1	BOLT, H.S. 5*12	5*12 W,SW		

3. Air Cleaner, Muffler



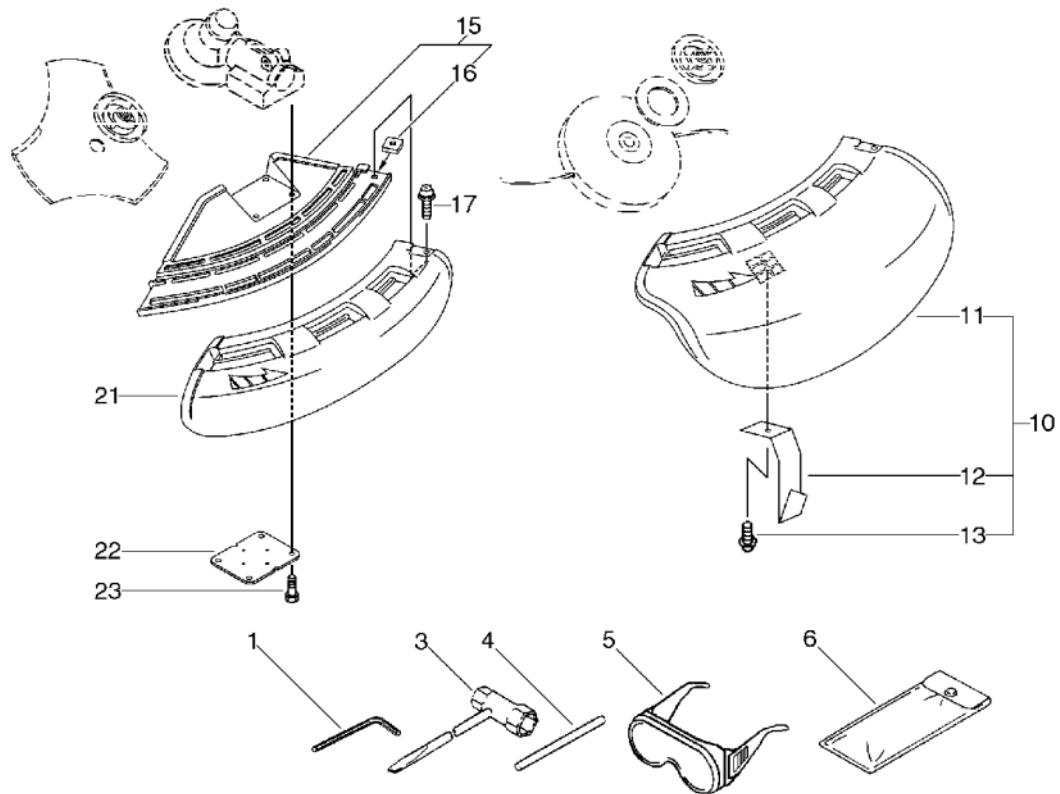
KEY	LV	PART NUMBER	Q'TY	DESCRIPTION	REMARKS	NOTE1	NOTE2
29		900600-00005	2	WASHER 5	5		
30		900105-05060	2	BOLT, H.S. 5*60	5*60		
31		A320-000130	1	COVER,MUFFLER			
32		900106-05012	1	BOLT, H.S. 5*12	5*12	Sus. by 91121-05012	

4. Fuel Tank



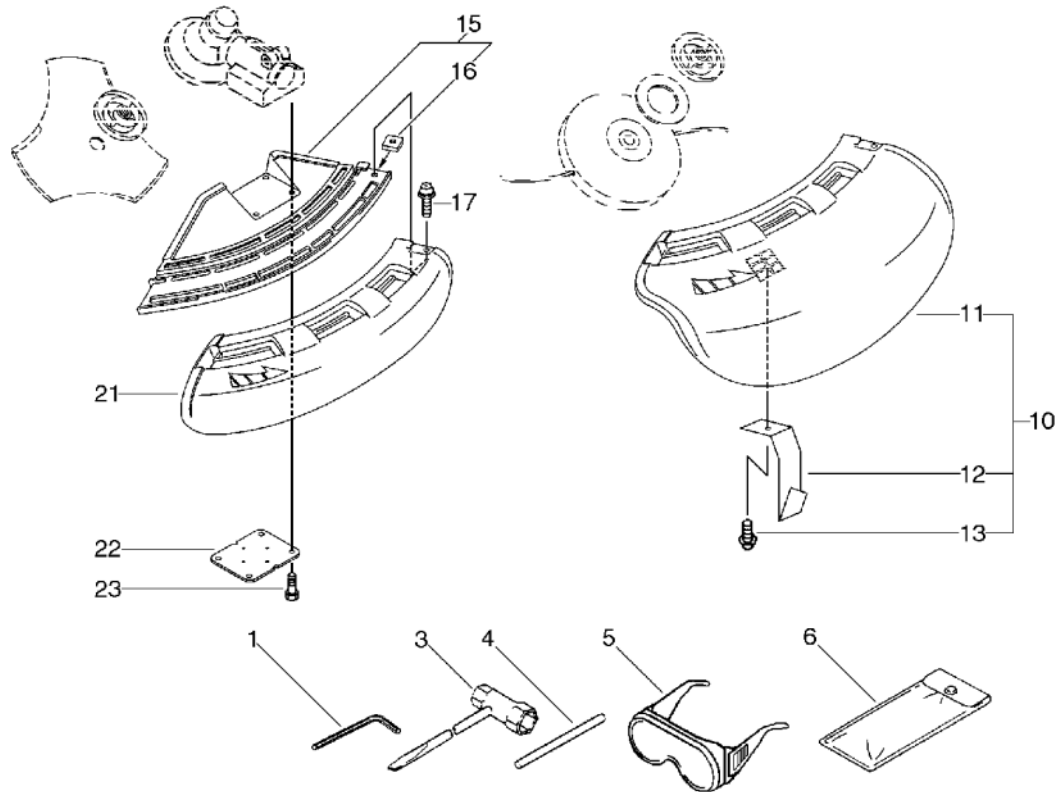
KEY	LV	PART NUMBER	Q'TY	DESCRIPTION	REMARKS	NOTE1	NOTE2
5		131300-56430	1	VALVE, CHECK			
6		132013-26630	2	CLIP	6.5MM		
7		V471-001180	1	PIPE	3*6*35 NBR		
8		132115-55930	1	GROMMET, FUEL			
9		V475-002240	1	TUBE			
10		131205-14930	1	STRAINER, FUEL			
11		132010-22130	1	PIPE, FUEL	3*6*150L NBR		
12		132010-53630	1	PIPE	3*6*180 NBR		
13		123181-39130	1	PUMP, PRIMER			
14		V471-000640	1	PIPE	2.38*4.76*105		
16		A393-000060	1	BRACKET, FUEL TANK			
17		131920-55430	4	CUSHION, FUEL TANK			
18		A350-000200	1	TANK, FUEL			
19		P021-004290	1	CAP ASY, FUEL TANK		Sus. by P021-012210	
20	+	131016-55830	1	GASKET, FUEL CAP			
21	+	A365-000020	1	CONNECTOR, CAP		Sus. by A365-000060	
21	+	A365-000060	1	CONNECTOR, CAP	L=123		
22		A175-000010	1	STAND		Sus. by A175-000011	
22		A175-000011	1	STAND			
23		900106-05016	2	BOLT, H.S. 5*16	5*16	Sus. by 91121-05016	

5. Shield, Tools(Sr/Nr 36013740 and before)



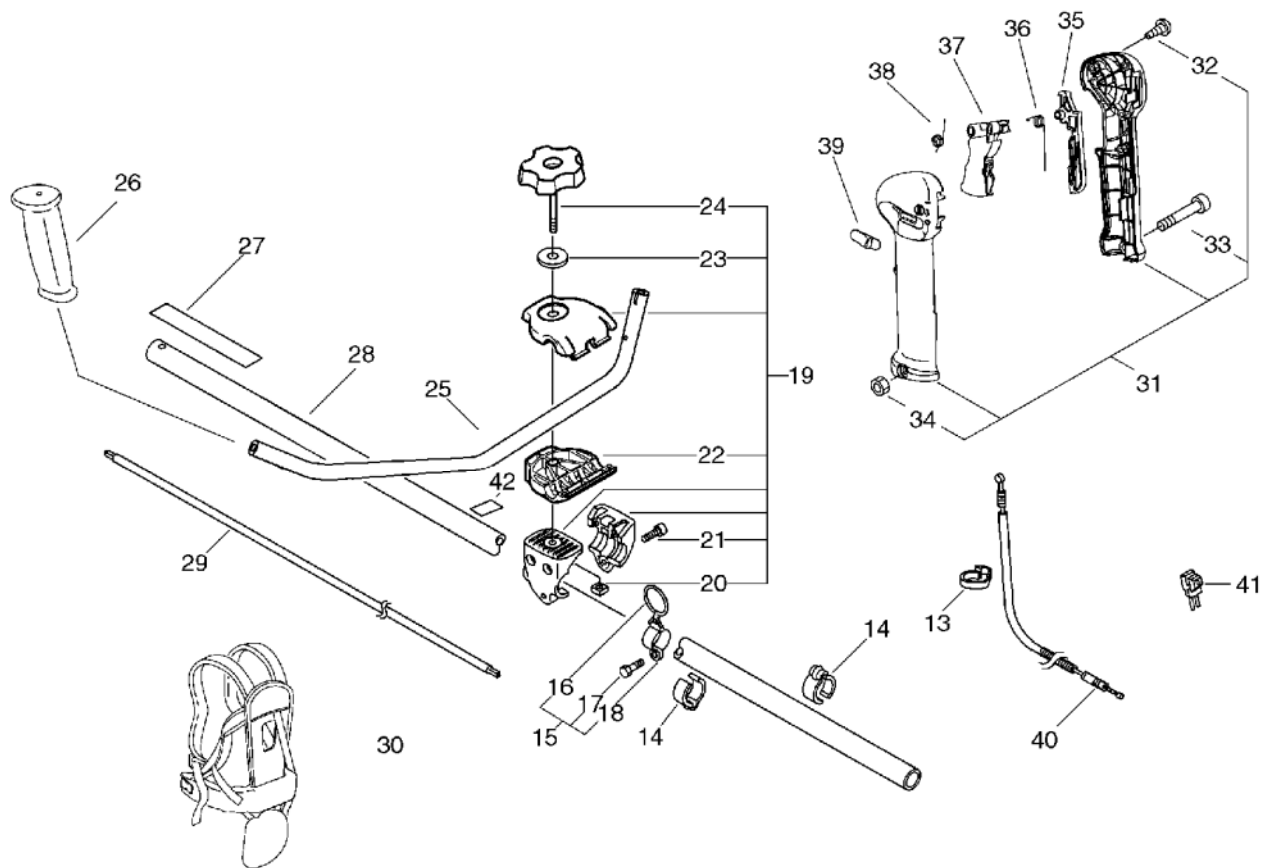
KEY	LV	PART NUMBER	Q'TY	DESCRIPTION	REMARKS	NOTE1	NOTE2
1		895610-00130	1	L-WRENCH (4MM)			
3		X602-000020	1	TOOL,WRENCH	17*19 L200		
4		897518-01131	1	LOCKING TOOL			
5		X690-000030	1	GOGGLE			
6		898510-39130	1	BAG, TOOL			
10		P021-002620	1	SHIELD,BLADE(W/KNIFE		Sr/Nr 36013740 and before	
11	+	C550-000080	1	SHIELD,BLADE			
12	+	C554-000000	1	KNIFE,CORD		Sr/Nr 36013740 and before	
13	+	900252-05012	1	SCREW 5*12	5*12		
15		C550-000100	1	SHIELD,BLADE			
16	+	900565-00005	1	NUT	5		
17		900242-05018	1	SCREW 5*18	5*18		
21		C550-000090	1	SHIELD,BLADE			
22		699013-56830	1	PLATE, SHIELD			
23		900162-05025	4	BOLT, H.S. 5*25	5*25 W,SW	Sus. by 91118- 05025	

6. Shield, Tools(Sr/Nr 36013741 and after)



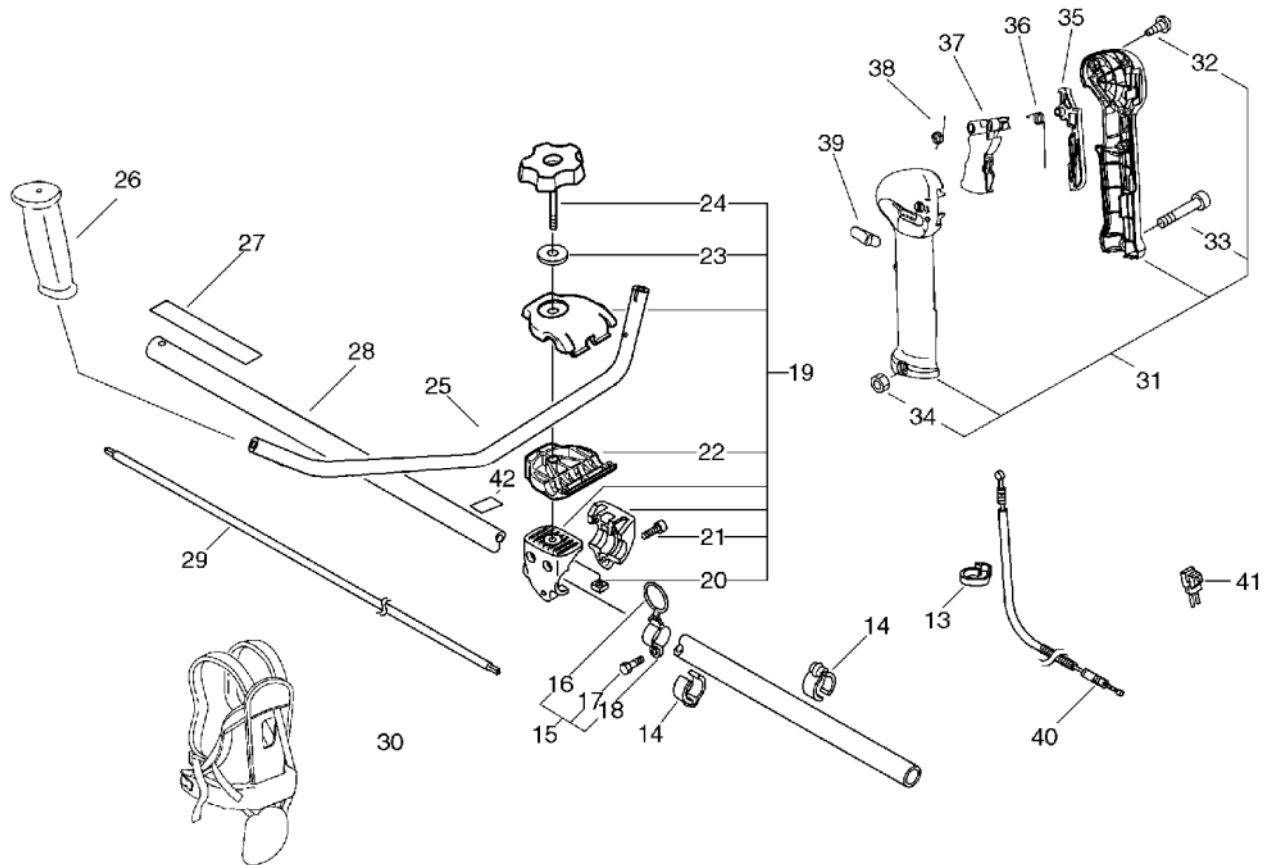
KEY	LV	PART NUMBER	Q'TY	DESCRIPTION	REMARKS	NOTE1	NOTE2
1		895610-00130	1	L-WRENCH (4MM)			
3		X602-000020	1	TOOL,WRENCH	17*19 L200		
4		897518-01131	1	LOCKING TOOL			
5		X690-000030	1	GOGGLE			
6		898510-39130	1	BAG, TOOL			
10		P021-013770	1	SHIELD KIT		Sr/Nr 36013741 and after	
11	+	C550-000080	1	SHIELD,BLADE			
12	+	C554-000030	1	KNIFE, CORD	17INCH	Sr/Nr 36013741 and after	
13	+	900252-05012	1	SCREW 5*12	5*12		
15		C550-000100	1	SHIELD,BLADE			
16	+	900565-00005	1	NUT	5		
17		900242-05018	1	SCREW 5*18	5*18		
21		C550-000090	1	SHIELD,BLADE			
22		699013-56830	1	PLATE, SHIELD			
23		91118-05025	4	BOLT	CM-5*25		

7. U-Handle(Sr/Nr 36014620 and befor)



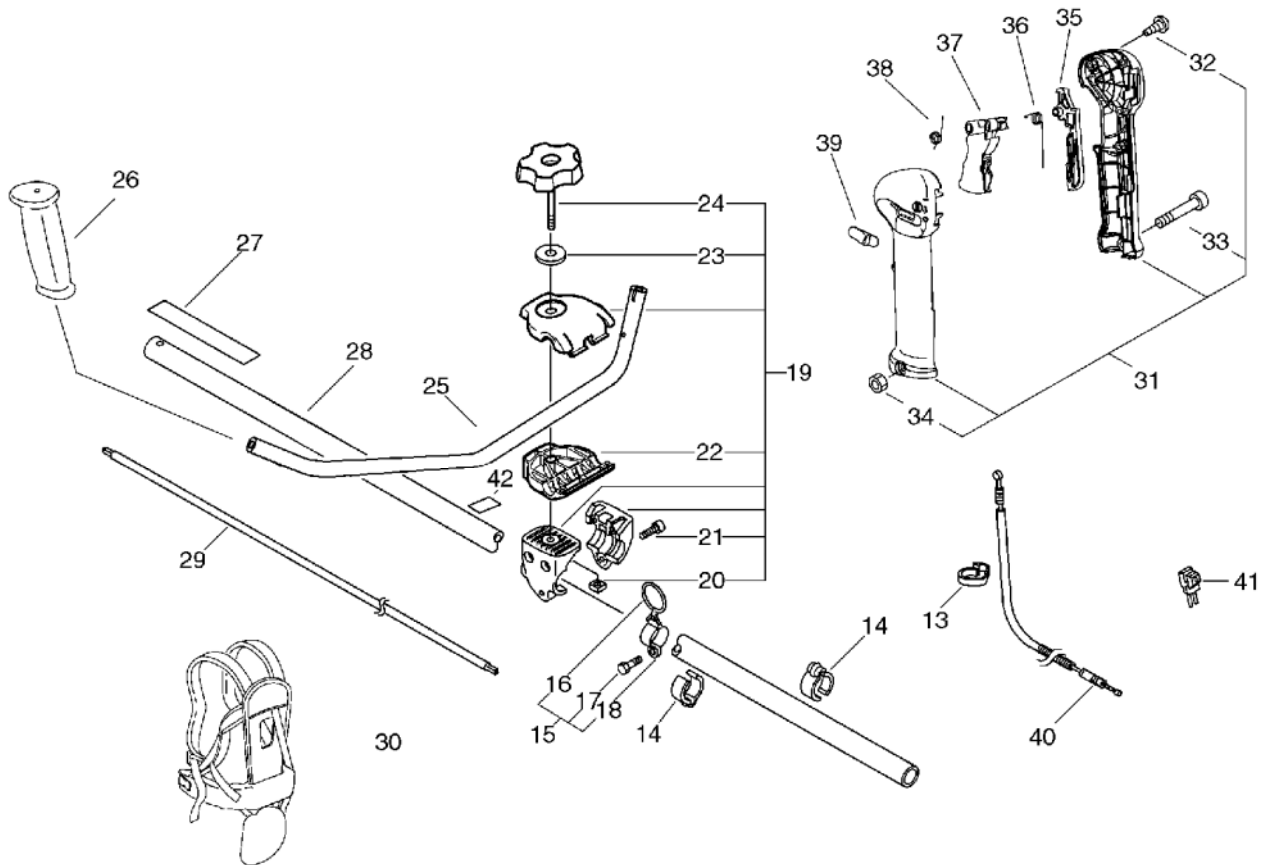
KEY	LV	PART NUMBER	Q'TY	DESCRIPTION	REMARKS	NOTE1	NOTE2
1		P021-002612	1	GRIP ASY,F-HANDLE		Sr/Nr 36014620 and befor	
2	+	900253-04016	3	SCREW 4*16	4*16	Sr/Nr 36014620 and befor	
3	+	900220-05030	1	SCREW 5*30	5*30	Sr/Nr 36014620 and befor	
4	+	900500-00005	1	NUT 5	5		
5		C460-000011	1	LOCKOUT,THROTTLE		Sr/Nr 36014620 and befor	
6		V452-000130	1	SPRING,TORSION		Sr/Nr 36014620 and befor	
7		C450-000022	1	TRIGGER,THROTTLE		Sr/Nr 36014620 and befor	
8		V452-000060	1	SPRING,TORSION		Sr/Nr 36014620 and befor	
9		A440-000400	1	SWITCH,ON OFF		Sr/Nr 36014620 and befor	
10		C463-000000	1	KNOB,LATCH		Sr/Nr 36014620 and befor	
11		V430-000561	1	CABLE,BOWDEN		Sr/Nr 36014620 and befor	
12		V475-002220	1	TUBE	7*680	Sr/Nr 36014620 and befor	
13		159112-09960	1	CLIP		Sus. by 159112- 09961	
13		159112-09961	1	CLIP			

7. U-Handle(Sr/Nr 36014620 and befor)



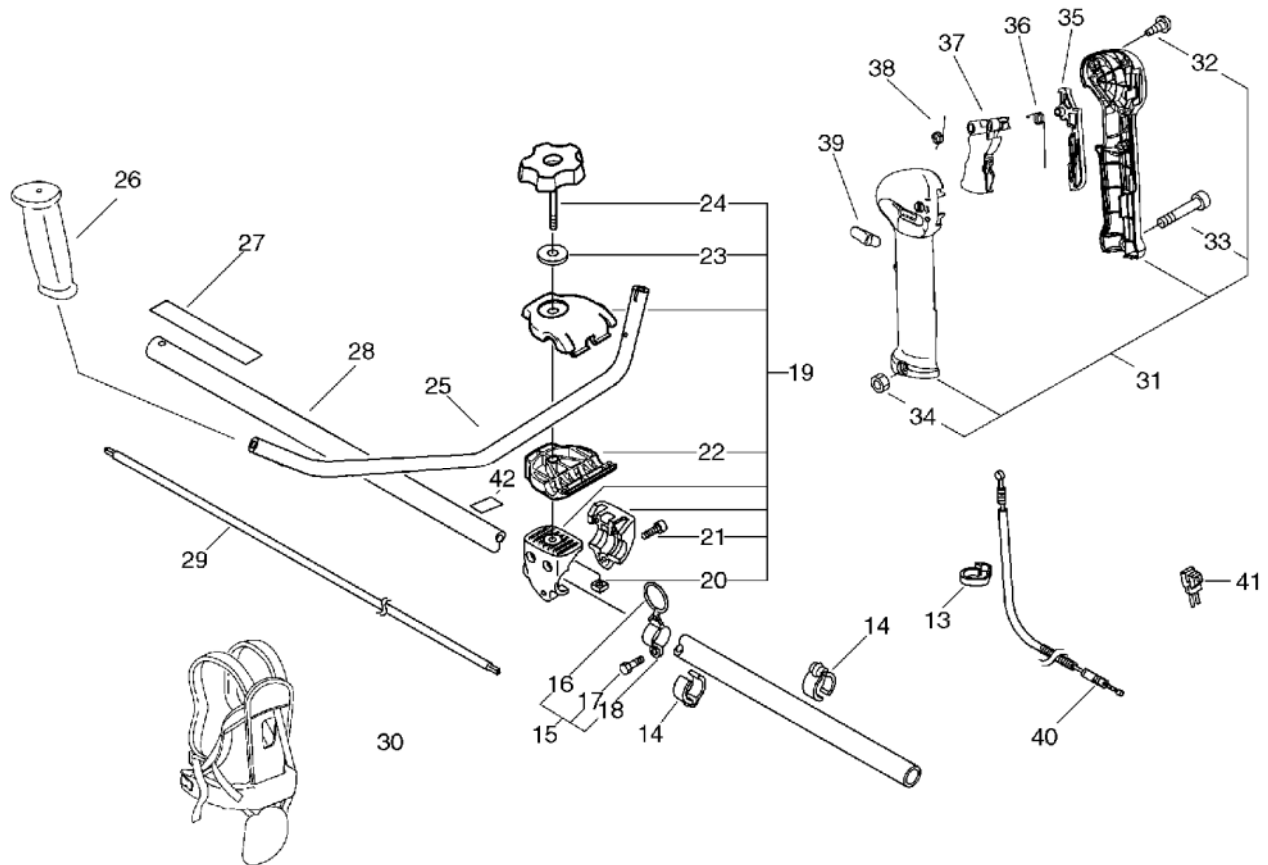
KEY	LV	PART NUMBER	Q'TY	DESCRIPTION	REMARKS	NOTE1	NOTE2
14		224924-52930	2	CLIP	28MM		
15		301200-05230	1	HOOK ASS'Y		Sus. by P021-012660	
16	+	301015-05330	1	HOOK, BAND			
17	+	900105-05012	1	BOLT, H.S. 5*12	5*12	Sus. by 91119-05012	
18	+	301210-04630	1	HOOK			
19		P021-002761	1	BRACKET ASY, HANDLE		Sus. by P021-012740	
20	+	900565-50008	1	NUT	8*1.25		
21	+	900162-05030	3	BOLT, H.S. 5*30	5*30 W,SW	Sus. by 91118-05030	
22	+	C423-000041	1	FIXTURE, HANDLE			
23	+	605014-54230	1	WASHER			
24	+	V299-000110	1	KNOB, FASTENER			
25		C400-000211	1	HANDLE, FRONT			
26		C403-000031	1	GRIP, HANDLE			
27		890617-43130	1	LABEL, CAUTION			
28		C050-000410	1	PIPE, MAIN			
29		610011-49930	1	SHAFT, DRIVE			
30		C062-000170	1	HARNESS, SHOULDER		Sus. by C062-000181	
30		C062-000180	1	HARNESS, SHOULDER	ECHO	Sus. by C062-000181	
30		C062-000181	1	HARNESS, SHOULDER		Sus. by C062-000182	

8. U-Handle(Sr/Nr 36014621 and after)



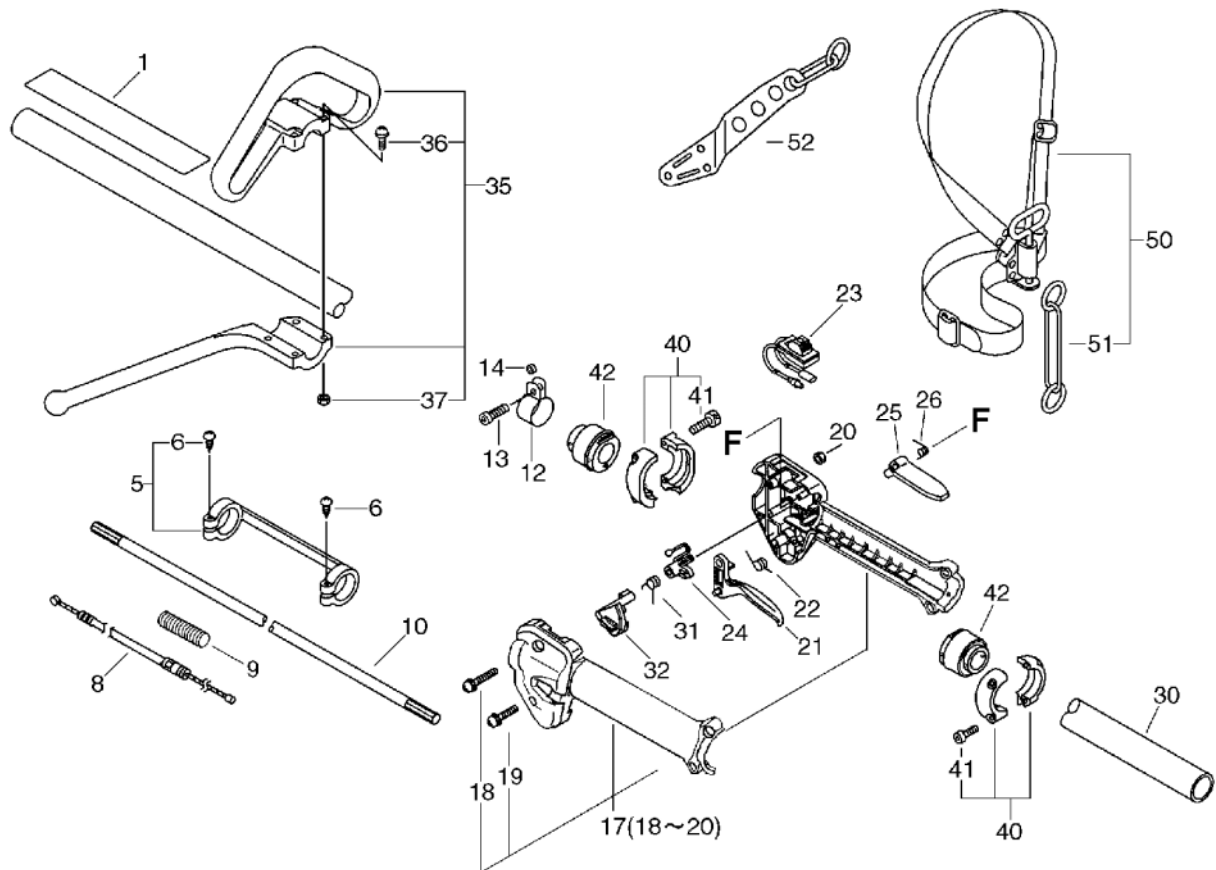
KEY	LV	PART NUMBER	Q'TY	DESCRIPTION	REMARKS	NOTE1	NOTE2
13		159112-09961	1	CLIP			
14		224924-52930	2	CLIP	28MM		
15		P021-012660	1	HOOK ASY			
16	+	301015-05330	1	HOOK, BAND			
17	+	91119-05012	1	BOLT	CB-5*12		
18	+	301210-04630	1	HOOK			
19		P021-012740	1	BRACKET ASY, HANDLE			
20	+	900565-50008	1	NUT	8*1.25		
21	+	91118-05030	3	BOLT			
22	+	C423-000041	1	FIXTURE,HANDLE			
23	+	605014-54230	1	WASHER			
24	+	V299-000110	1	KNOB,FASTENER			
25		C400-000211	1	HANDLE,FRONT			
26		C403-000031	1	GRIP,HANDLE			
27		890617-43130	1	LABEL,CAUTION			
28		C050-000410	1	PIPE,MAIN			
29		610011-49930	1	SHAFT, DRIVE			
30		C062-000182	1	HARNESS,SHOULDER			
31		P021-014090	1	GRIP ASY,F-HANDLE		Sr/Nr 36014621 and after	
32	+	900256-04016	3	SCREW 4*16	4*16		
33	+	91119-05030	1	BOLT			
34	+	900500-00005	1	NUT 5	5		
35		C460-000110	1	LOCKOUT, THROTTLE		Sr/Nr 36014621 and after	

8. U-Handle(Sr/Nr 36014621 and after)



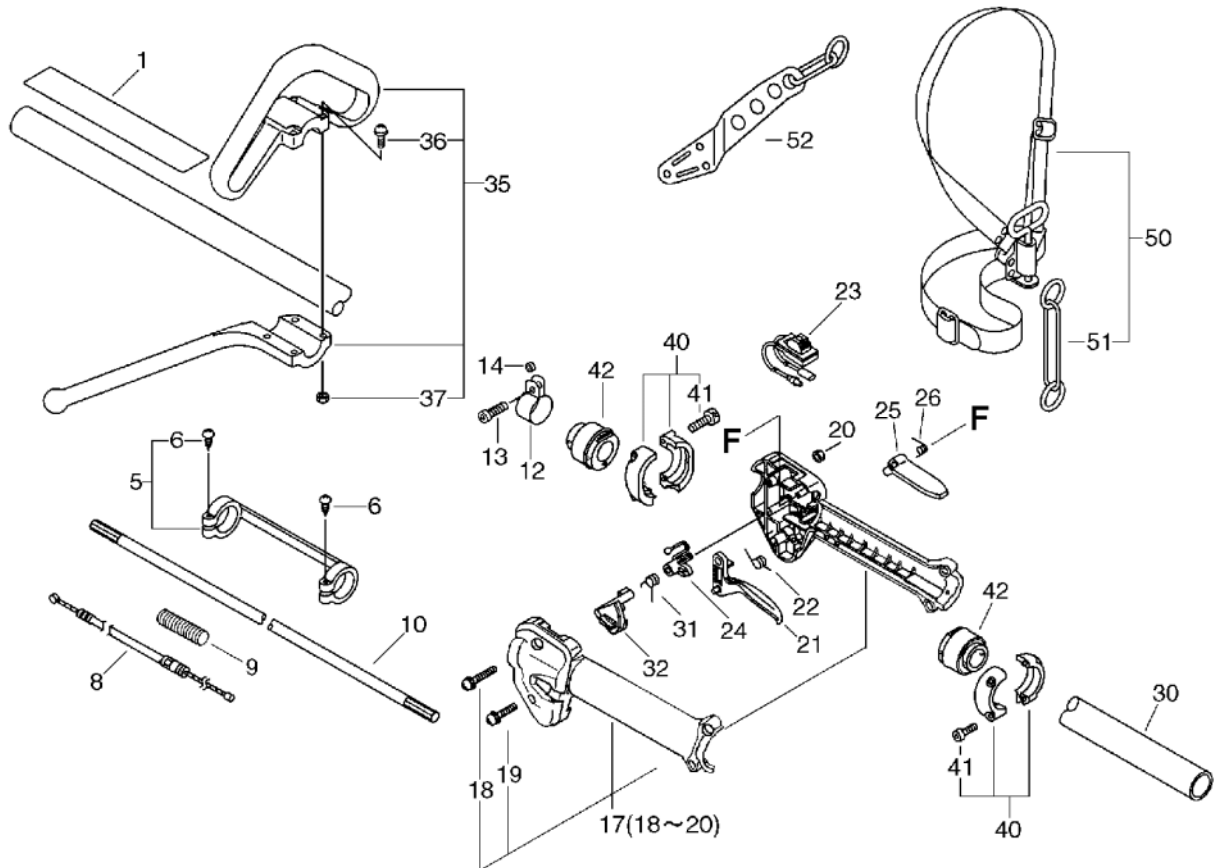
KEY	LV	PART NUMBER	Q'TY	DESCRIPTION	REMARKS	NOTE1	NOTE2
36		V452-000360	1	SPRING,TORSION		Sr/Nr 36014621 and after	
37		C450-000270	1	CONTROL, THROTTLE		Sr/Nr 36014621 and after	
38		V452-000350	1	SPRING,TORSION		Sr/Nr 36014621 and after	
39		C463-000020	1	KNOB, LATCH		Sr/Nr 36014621 and after	
40		V430-002020	1	CABLE,BOWDEN		Sr/Nr 36014621 and after	
41		P021-014350	1	SWITCH,ON OFF		Sr/Nr 36014621 and after	
42		890152-04930	1	LABEL, CAUTION			

9. Loop Handle



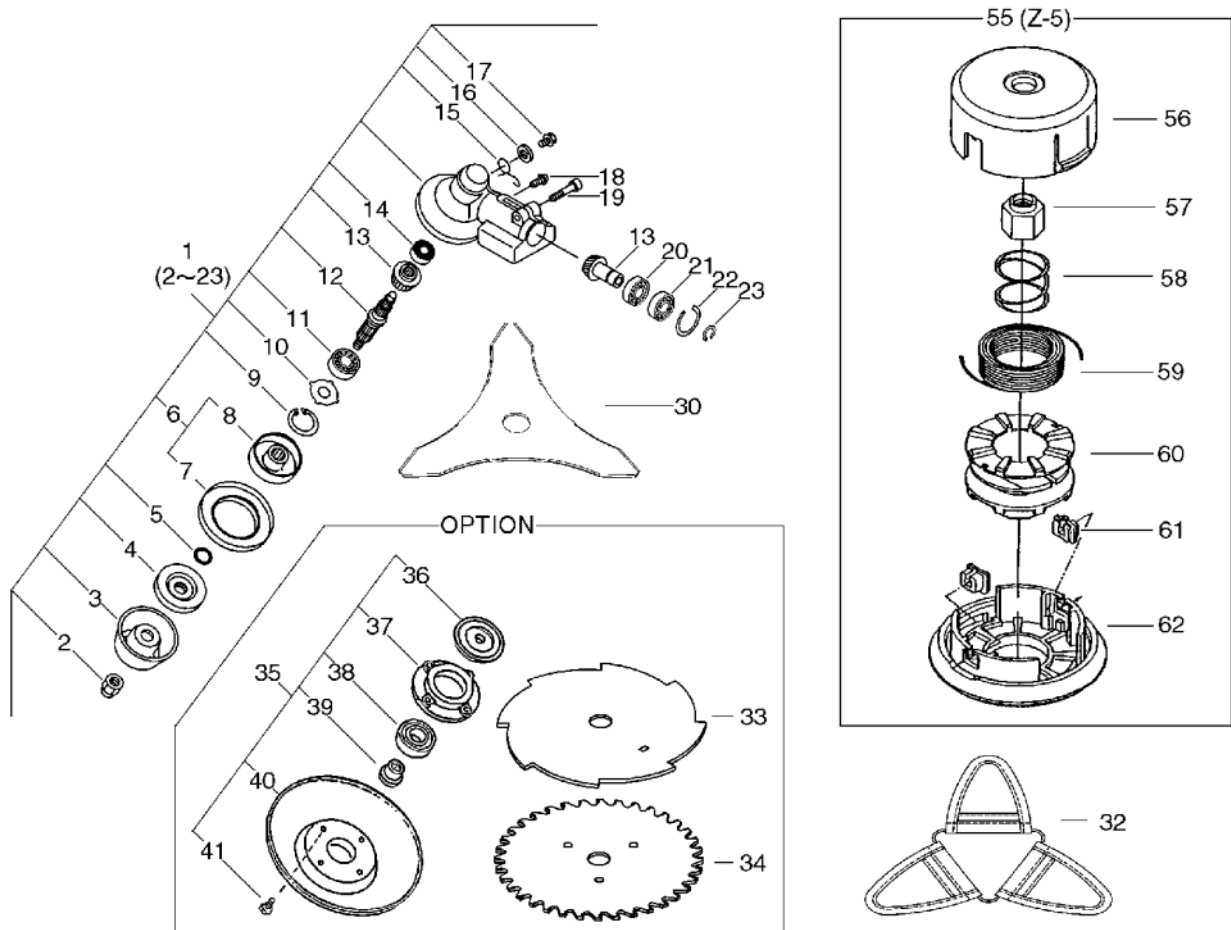
KEY	LV	PART NUMBER	Q'TY	DESCRIPTION	REMARKS	NOTE1	NOTE2
1		890617-43130	1	LABEL,CAUTION			
5		610281-42230	1	COLLER			
6	+	900253-04025	2	SCREW 4*25	4*25		
8		V430-000930	1	CABLE,BOWDEN			
9		V475-002210	1	TUBE			
10		610011-49930	1	SHAFT, DRIVE			
12		301207-07530	2	HOOK			
13		900105-05018	2	BOLT, H.S. 5*18	5*18		
14		V353-000090	2	COLLAR,5			
17		P021-007990	1	BRACKET SET,THROTTLE			
18	+	900242-05035	1	SCREW 5*35	5*35		
19	+	900242-05025	3	SCREW 5*25	5*25		
20	+	900500-00005	4	NUT 5	5		
21		C450-000110	1	TRIGGER,THROTTLE			
22		V452-000200	1	SPRING,TORSION			
23		A440-000530	1	SWITCH,ON OFF			
24		C461-000000	1	LATCH,THROTTLE			
25		178090-52631	1	LOCKOUT, T. CONTROL		Sus. by 178090-52632	
25		178090-52632	1	LOCKOUT, T. CONTROL			
26		178013-52630	1	SPRING, THR. LOCK			
30		C050-000410	1	PIPE,MAIN			
31		V452-000120	1	SPRING,TORSION			
32		C461-000010	1	LATCH,THROTTLE			
35		351201-55630	1	HANDLE ASSY, LOOP			
36	+	900242-05035	4	SCREW 5*35	5*35		

9. Loop Handle



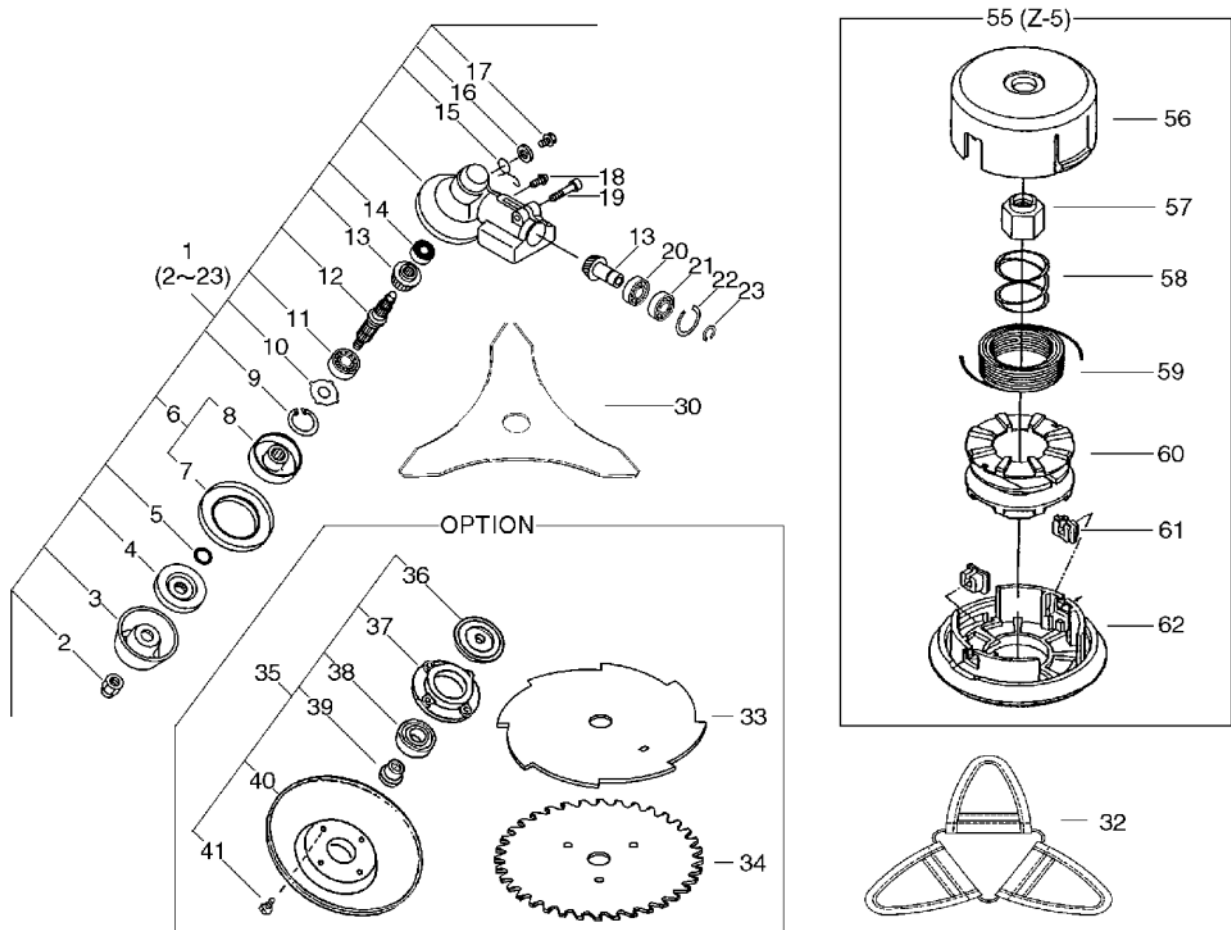
KEY	LV	PART NUMBER	Q'TY	DESCRIPTION	REMARKS	NOTE1	NOTE2
37	+	900500-00005	4	NUT 5	5		
40		P021-008000	2	FIXTURE,ASY HANDLE		Sus. by P021-012640	
41	+	900162-05025	4	BOLT, H.S. 5*25	5*25 W,SW	Sus. by 91118-05025	
42		V420-001060	2	CUSHION			
50		301000-55230	1	HARNESS ASSY		Sus. by 301000-55231	
50		301000-55231	1	HARNESS ASY, SHOULDER			
51	+	301305-24330	1	LINK			
52		C624-000020	1	HANGER, HARNESS			

10. Gear Case, Blade(Sr/Nr 36017935 and befor)



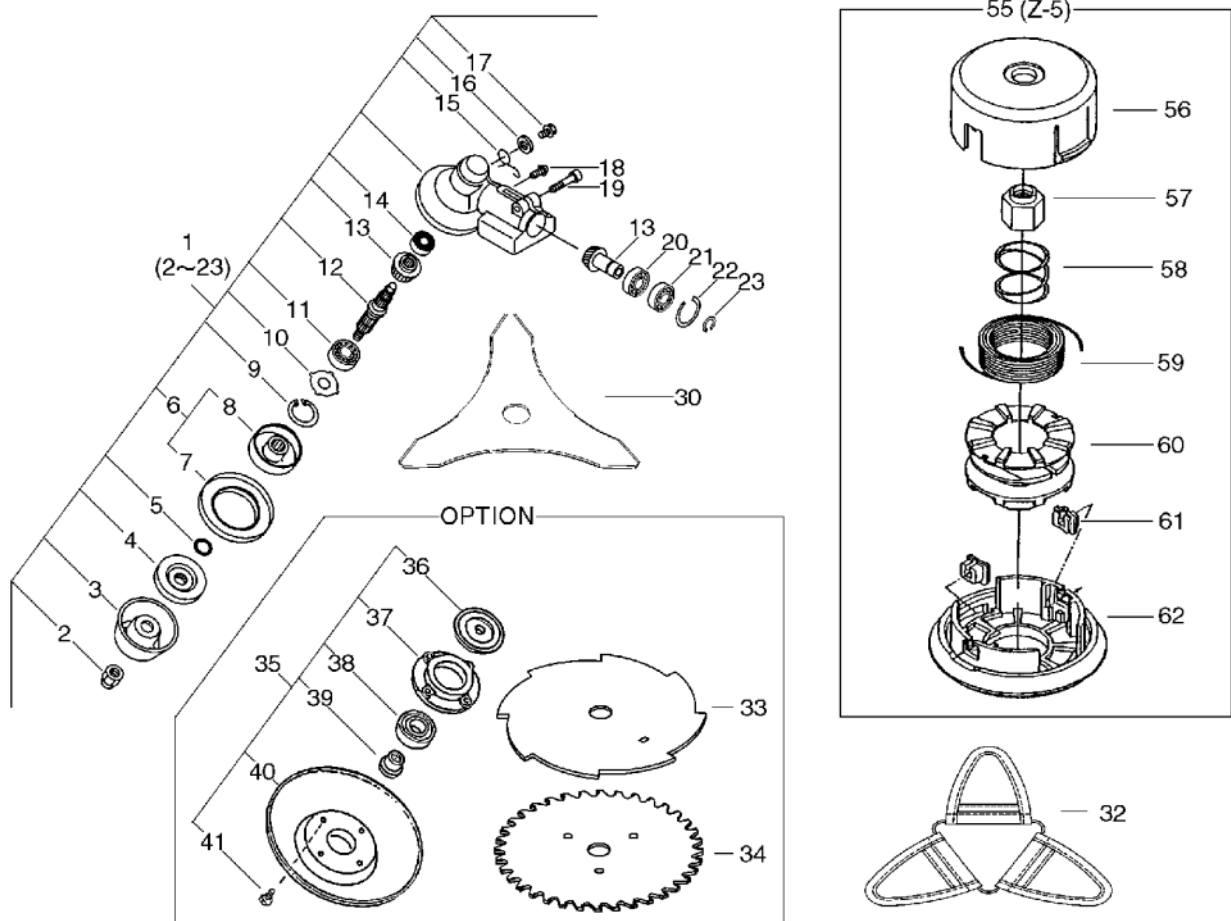
KEY	LV	PART NUMBER	Q'TY	DESCRIPTION	REMARKS	NOTE1	NOTE2
1		610400-56932	1	CASE ASY, GEAR		Sus. by P021-012590	
2	+	610320-52130	1	NUT 10			
3	+	699229-56830	1	PLATE, COVER			
4	+	610314-52130	1	PLATE, ADAPTER (L)			
5	+	900720-00012	1	O-RING 12	P-12		
6	+	C535-000001	1	FIXTURE, BLADE			
7	++	610352-56830	1	PLATE, CUP			
8	++	C535-000011	1	FIXTURE, BLADE			
9	+	900702-00032	1	CIRCLIP 32	CR-32		
10	+	610444-56830	1	WASHER			
11	+	900812-06201	1	BEARING, BALL 6201	6201DDU(LLU)		
12	+	610310-56930	1	SHAFT, P.T.O.			
13	+	610300-56930	1	GEAR SET			
14	+	900810-00629	1	BEARING, BALL 629	629		
15	+	610473-52131	1	SPRING			
16	+	900603-50008	1	WASHER	8.5*18*0.8T		
17	+	610434-50031	1	BOLT 8*8	M8*8		
18	+	900242-05010	1	SCREW 5*10	5*10		
19	+	900162-06030	1	BOLT, H.S. 6*30	6*30W, SW	Sus. by 91118-06030	
20	+	900800-06001	1	BEARING, BALL 6001	6001		
21	+	900803-06001	1	BEARING, BALL 6001	6001Z		
22	+	900702-00028	1	CIRCLIP 28	CR-28		
23	+	900701-00012	1	CIRCLIP 12	CS-12		

10. Gear Case, Blade(Sr/Nr 36017935 and befor)



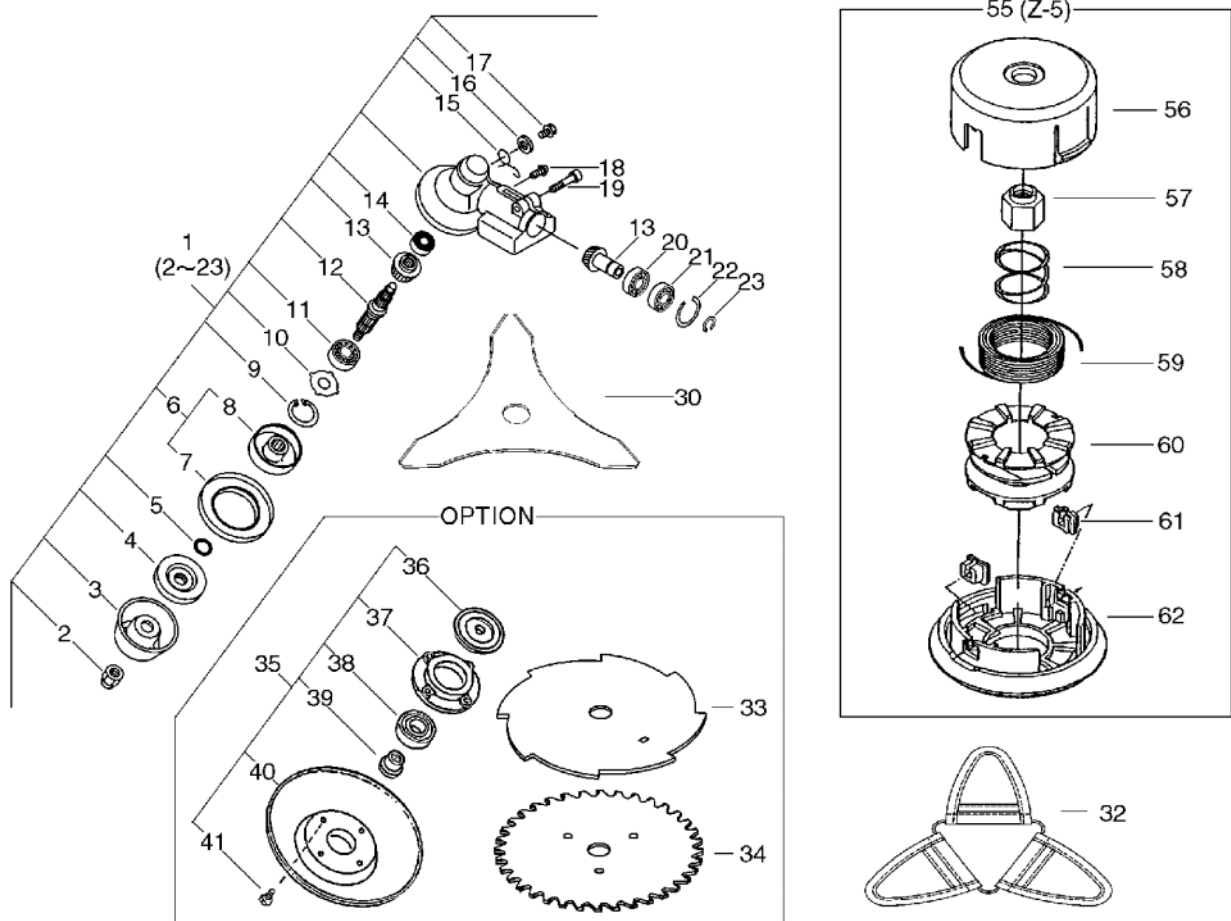
KEY	LV	PART NUMBER	Q'TY	DESCRIPTION	REMARKS	NOTE1	NOTE2
30		X405-000001	1	SAW,BUSH CUTTER	3*255*25.4*T2.0		Sr/Nr 36017935 and befor
32		P021-007470	1	SCABBARD, BLADE			Sr/Nr 36017935 and befor
33		696001-55631	1	BLADE, 8-CUTTER 10IN	255*8T*1.4 PD25	OPTION	
34		695001-55631	1	SAW, CIRCULAR 10*80T	255*80T*1.4 PD25	OPTION	
35		699200-56830	1	CAP ASSY, FREE		OPTION	
36	+	610313-56830	1	PLATE, ADAPTER (U)		OPTION	
37	+	699226-05430	1	HOLDER, BEARING		OPTION	
38	+	900814-06202	1	BEARING, BALL 6202	6202ZZ	OPTION	
39	+	699227-04630	1	NUT		OPTION	
40	+	699228-08930	1	PLATE, COVER		OPTION	
41	+	900141-05012	4	BOLT 5*12	5*12	OPTION	

11. Gear Case, Blade(Sr/Nr 36018036 and after)



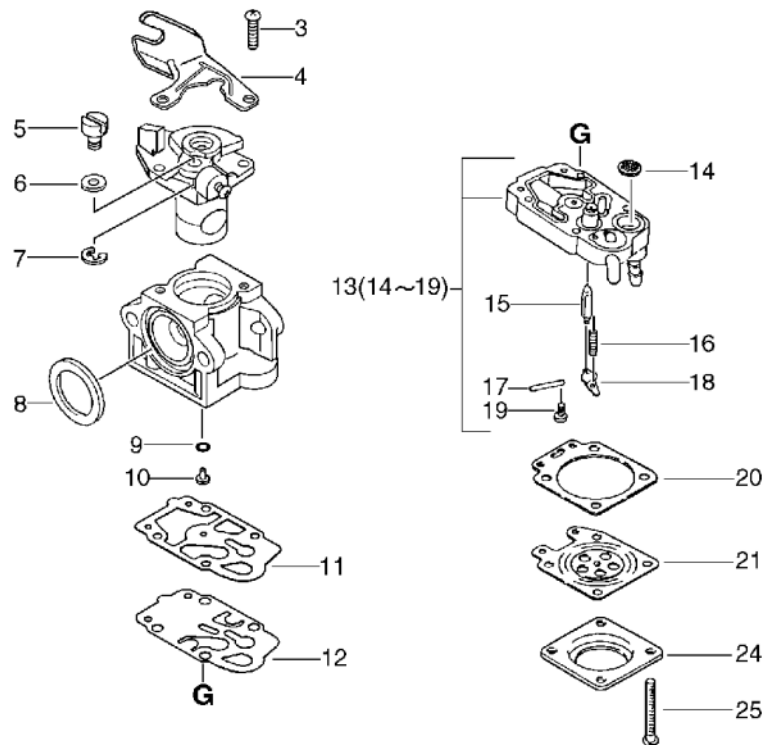
KEY	LV	PART NUMBER	Q'TY	DESCRIPTION	REMARKS	NOTE1	NOTE2
1		P021-012591	1	CASE,GEAR			
2	+	610320-52130	1	NUT 10			
3	+	699229-56830	1	PLATE, COVER			
4	+	610314-52130	1	PLATE, ADAPTER (L)			
5	+	900720-00012	1	O-RING 12	P-12		
6	+	C535-000001	1	FIXTURE,BLADE			
7	++	610352-56830	1	PLATE, CUP			
8	++	C535-000011	1	FIXTURE,BLADE			
9	+	900702-00032	1	CIRCLIP 32	CR-32		
10	+	610444-56830	1	WASHER			
11	+	900812-06201	1	BEARING, BALL 6201	6201DDU(LLU)		
12	+	610310-56931	1	SHAFT, P.T.O.			
13	+	610300-56930	1	GEAR SET			
14	+	900810-00629	1	BEARING, BALL 629	629		
15	+	610473-52131	1	SPRING			
16	+	900603-50008	1	WASHER	8.5*18*0.8T		
17	+	610434-50031	1	BOLT 8* 8	M8*8		
18	+	900242-05010	1	SCREW 5*10	5*10		
19	+	91118-06030	1	BOLT	CM-6*30		
20	+	900800-06001	1	BEARING, BALL 6001	6001		
21	+	900803-06001	1	BEARING, BALL 6001	6001Z		
22	+	900702-00028	1	CIRCLIP 28	CR-28		
23	+	900701-00012	1	CIRCLIP 12	CS-12		
30		P021-014320	1	SAW,BUSH CUTTER	255*T3.0	Sr/Nr 36018036 and after	

11. Gear Case, Blade(Sr/Nr 36018036 and after)



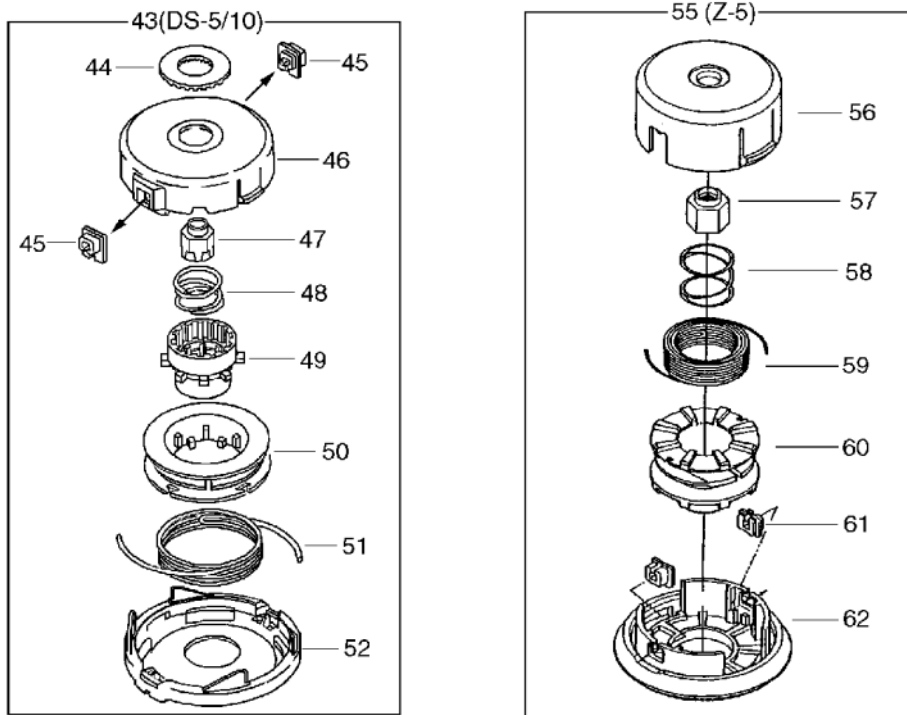
KEY	LV	PART NUMBER	Q'TY	DESCRIPTION	REMARKS	NOTE1	NOTE2
32		X425-000250	1	SUPPORT,CUTTER	L=821.5 T=4.5	Sr/Nr 36018036 and after	
33		696001-55631	1	BLADE, 8-CUTTER 10IN	255*8T*1.4 PD25		
34		695001-55631	1	SAW, CIRCULAR 10*80T	255*80T*1.4 PD25		
35		699200-56830	1	CAP ASSY, FREE			
36	+	610313-56830	1	PLATE, ADAPTER (U)			
37	+	699226-05430	1	HOLDER, BEARING			
38	+	900814-06202	1	BEARING, BALL 6202	6202ZZ		
39	+	699227-04630	1	NUT			
40	+	699228-08930	1	PLATE, COVER			
41	+	900141-05012	4	BOLT 5*12	5*12		
55		X047-000330	1	CUTTER,ASM LINE	Z-5 M10 L		
56	+	P022-010420	1	HOUSING			
57	+	P022-010390	1	NUT			
58	+	P022-010370	1	SPRING			
59	+	P022-010380	1	NYLON CODE			
60	+	P022-010400	1	BOBBIN			
61	+	P022-000710	2	EYELET	T4		
62	+	P022-010410	1	COVER			

12. Carburetor



KEY	LV	PART NUMBER	Q'TY	DESCRIPTION	REMARKS	NOTE1	NOTE2
		A021-000930	1	CARBURETOR,DIAPHRAGM	WYJ-373	Sus. by A021-000931	
		A021-000931	1	CARBURETOR,DIAPHRAGM	WYJ-373A		
3	+	123114-40630	2	SCREW			
4	+	P003-000180	1	BRACKET CABLE			
5	+	123172-45130	1	SWIVEL			
6	+	123149-54230	1	WASHER			
7	+	123173-07930	1	CLIP			
8	+	123143-12110	1	RING, PACKING			
9	+	123183-40630	1	O-RING			
10	+	P003-000970	1	JET		Sus. by P003-001050	
10	+	P003-001050	1	JET			
11	+	P003-000100	1	GASKET, PUMP			
12	+	123112-40630	1	DIAPHRAGM, PUMP			
13	+	P003-000720	1	BODY ASSEMBLY, PUMP			
14	++	123126-10631	1	SCREEN, INLET			
15	++	123137-19830	1	VALVE, INLET NEEDLE			
16	++	123122-05560	1	SPRING, METER. LEVER			
17	++	123138-03930	1	PIN, METERING LEVER			
18	++	123123-03930	1	LEVER, METERING			
19	++	123139-05560	1	SCREW, M. LEVER PIN			
20	+	123140-27230	1	GASKET, M. DIAPHRAGM			
21	+	P003-000090	1	METERING, DIAPHRAGM			
24	+	123142-03930	1	COVER, M. DIAPHRAGM			
25	+	123144-44330	4	SCREW			

13. Nylon Line Cutting Head



KEY	LV	PART NUMBER	Q'TY	DESCRIPTION	REMARKS	NOTE1	NOTE2
43		X047-000220	1	CUTTER,ASM LINE	DS-5 M10L	Sus. by X047-000330	
44	+	V332-000000	1	WASHER,CIRCULAR 24			
45	+	P022-000710	2	EYELET	T4		
46	+	P022-005040	1	HOUSING			
47	+	P022-001160	1	NUT			
48	+	P022-001200	1	SPRING	DS-5/10		
49	+	P022-001310	1	TAP KNOB	DS-5/10		
50	+	P022-001180	1	BOBBIN	DS-5/10		
51	+	P022-006200	1	NYLON CODE	3.0*3M		
52	+	P022-005030	1	COVER			
55		X047-000330	1	CUTTER,ASM LINE	Z-5 M10 L		
56	+	P022-010420	1	HOUSING			
57	+	P022-010390	1	NUT			
58	+	P022-010370	1	SPRING			
59	+	P022-010380	1	NYLON CODE			
60	+	P022-010400	1	BOBBIN			
61	+	P022-000710	2	EYELET	T4		
62	+	P022-010410	1	COVER			

Index

Patrs Number	Key No.	Patrs Number	Key No.	Patrs Number	Key No.
100011-42230	1 - 20	177220-40630	2 - 37	695001-55631	10 - 34
100012-16131	1 - 23	177228-27030	2 - 34	695001-55631	11 - 34
100013-27430	1 - 21	177234-40630	2 - 27	696001-55631	10 - 33
100014-53630	1 - 24	177236-61830	2 - 30	696001-55631	11 - 33
100015-03931	1 - 22	177246-11120	2 - 33	699013-56830	5 - 22
100100-55430	1 - 26	178013-52630	9 - 26	699013-56830	6 - 22
100142-12330	2 - 24	178081-55931	3 - 2	699200-56830	10 - 35
100204-55430	1 - 30	178090-52631	9 - 25	699200-56830	11 - 35
100213-05530	1 - 31	178090-52632	9 - 25	699226-05430	10 - 37
100215-03930	1 - 32	178121-43230	1 - 36	699226-05430	11 - 37
100242-55430	1 - 34	224924-52930	7 - 14	699227-04630	10 - 39
101010-55430	1 - 18	224924-52930	8 - 14	699227-04630	11 - 39
123112-40630	12 - 12	301000-55230	9 - 50	699228-08930	10 - 40
123114-40630	12 - 3	301000-55231	9 - 50	699228-08930	11 - 40
123122-05560	12 - 16	301015-05330	7 - 16	699229-56830	10 - 3
123123-03930	12 - 18	301015-05330	8 - 16	699229-56830	11 - 3
123126-10631	12 - 14	301200-05230	7 - 15	890152-04930	8 - 42
123137-19830	12 - 15	301207-07530	9 - 12	890617-43130	7 - 27
123138-03930	12 - 17	301210-04630	7 - 18	890617-43130	8 - 27
123139-05560	12 - 19	301210-04630	8 - 18	890617-43130	9 - 1
123140-27230	12 - 20	301305-24330	9 - 51	895610-00130	5 - 1
123142-03930	12 - 24	302013-10910	1 - 38	895610-00130	6 - 1
123143-12110	12 - 8	351201-55630	9 - 35	897518-01131	5 - 4
123144-44330	12 - 25	437412-16430	2 - 9	897518-01131	6 - 4
123149-54230	12 - 6	605014-54230	7 - 23	898510-39130	5 - 6
123172-45130	12 - 5	605014-54230	8 - 23	898510-39130	6 - 6
123173-07930	12 - 7	610011-49930	7 - 29	900105-05012	7 - 17
123181-39130	4 - 13	610011-49930	8 - 29	900105-05018	9 - 13
123183-40630	12 - 9	610011-49930	9 - 10	900105-05060	3 - 15
131016-55830	4 - 20	610281-42230	9 - 5	900105-05060	3 - 30
131205-14930	4 - 10	610300-56930	10 - 13	900106-05012	1 - 10
131300-56430	4 - 5	610300-56930	11 - 13	900106-05012	3 - 23
131920-55430	4 - 17	610310-56930	10 - 12	900106-05012	3 - 32
132010-22130	4 - 11	610310-56931	11 - 12	900106-05016	2 - 41
132010-53630	4 - 12	610313-56830	10 - 36	900106-05016	4 - 23
132013-26630	4 - 6	610313-56830	11 - 36	900141-05012	10 - 41
132115-55930	4 - 8	610314-52130	10 - 4	900141-05012	11 - 41
145610-55230	3 - 27	610314-52130	11 - 4	900162-05012	1 - 51
152626-55730	2 - 11	610320-52130	10 - 2	900162-05012	3 - 28
152801-55430	2 - 20	610320-52130	11 - 2	900162-05020	1 - 2
159010-10230	2 - 3	610352-56830	10 - 7	900162-05020	1 - 46
159112-09960	7 - 13	610352-56830	11 - 7	900162-05020	2 - 12
159112-09961	7 - 13	610400-56932	10 - 1	900162-05025	3 - 5
159112-09961	8 - 13	610434-50031	10 - 17	900162-05025	5 - 23
175005-49930	1 - 40	610434-50031	11 - 17	900162-05025	9 - 41
175018-49931	2 - 14	610444-56830	10 - 10	900162-05028	1 - 50
175018-49932	2 - 14	610444-56830	11 - 10	900162-05030	1 - 35
175046-46430	2 - 13	610473-52131	10 - 15	900162-05030	7 - 21
175048-05530	2 - 16	610473-52131	11 - 15	900162-06030	10 - 19

Index

Patrs Number	Key No.	Patrs Number	Key No.	Patrs Number	Key No.
900220-05030	7 - 3	900814-06202	10 - 38	C423-000041	7 - 22
900238-05010	2 - 21	900814-06202	11 - 38	C423-000041	8 - 22
900242-05010	10 - 18	91118-05025	6 - 23	C450-000022	7 - 7
900242-05010	11 - 18	91118-05030	8 - 21	C450-000110	9 - 21
900242-05018	5 - 17	91118-06030	11 - 19	C450-000270	8 - 37
900242-05018	6 - 17	91119-05012	8 - 17	C460-000011	7 - 5
900242-05025	9 - 19	91119-05030	8 - 33	C460-000110	8 - 35
900242-05035	9 - 18	94035-36201	1 - 33	C461-000000	9 - 24
900242-05035	9 - 36	A021-000930	12 -	C461-000010	9 - 32
900252-05012	5 - 13	A021-000930	3 - 8	C463-000000	7 - 10
900252-05012	6 - 13	A021-000931	12 -	C463-000020	8 - 39
900253-04016	7 - 2	A021-000931	3 - 8	C535-000001	10 - 6
900253-04025	9 - 6	A051-000760	2 - 29	C535-000001	11 - 6
900256-04016	8 - 32	A052-000190	2 - 25	C535-000011	10 - 8
900500-00005	7 - 4	A130-000600	1 - 3	C535-000011	11 - 8
900500-00005	8 - 34	A130-000601	1 - 3	C550-000080	5 - 11
900500-00005	9 - 20	A160-000390	1 - 9	C550-000080	6 - 11
900500-00005	9 - 37	A160-000391	1 - 9	C550-000090	5 - 21
900502-00006	3 - 11	A172-000260	1 - 45	C550-000090	6 - 21
900502-00008	2 - 17	A172-000540	1 - 45	C550-000100	5 - 15
900565-00005	5 - 16	A175-000010	4 - 22	C550-000100	6 - 15
900565-00005	6 - 16	A175-000011	4 - 22	C554-000000	5 - 12
900565-50008	7 - 20	A200-000090	3 - 6	C554-000030	6 - 12
900565-50008	8 - 20	A200-000100	3 - 9	C624-000020	9 - 52
900600-00005	3 - 29	A226-000140	3 - 16	J485-000030	3 - 19
900600-00008	2 - 19	A232-000151	3 - 18	P003-000090	12 - 21
900603-50008	10 - 16	A235-000100	3 - 20	P003-000100	12 - 11
900603-50008	11 - 16	A244-000010	3 - 14	P003-000180	12 - 4
900605-00008	2 - 18	A320-000130	3 - 31	P003-000720	12 - 13
900701-00012	10 - 23	A350-000200	4 - 18	P003-000970	12 - 10
900701-00012	1 - 44	A365-000020	4 - 21	P003-001050	12 - 10
900701-00012	11 - 23	A365-000060	4 - 21	P021-002612	7 - 1
900702-00028	10 - 22	A393-000060	4 - 16	P021-002620	5 - 10
900702-00028	1 - 41	A426-000000	2 - 2	P021-002761	7 - 19
900702-00028	11 - 22	A427-000000	2 - 1	P021-004280	3 - 10
900702-00032	10 - 9	A440-000400	7 - 9	P021-004290	4 - 19
900702-00032	11 - 9	A440-000530	9 - 23	P021-007410	1 - 19
900702-00045	1 - 49	A553-000000	2 - 15	P021-007470	10 - 32
900720-00012	10 - 5	C050-000410	7 - 28	P021-007990	9 - 17
900720-00012	11 - 5	C050-000410	8 - 28	P021-008000	9 - 40
900800-06001	10 - 20	C050-000410	9 - 30	P021-008870	3 - 27
900800-06001	11 - 20	C062-000170	7 - 30	P021-012591	11 - 1
900803-06001	10 - 21	C062-000180	7 - 30	P021-012660	8 - 15
900803-06001	11 - 21	C062-000181	7 - 30	P021-012740	8 - 19
900807-06001	1 - 42	C062-000182	8 - 30	P021-013770	6 - 10
900810-00629	10 - 14	C400-000211	7 - 25	P021-014090	8 - 31
900810-00629	11 - 14	C400-000211	8 - 25	P021-014320	11 - 30
900812-06201	10 - 11	C403-000031	7 - 26	P021-014350	8 - 41
900812-06201	11 - 11	C403-000031	8 - 26	P022-000710	11 - 61

Index

Patrs Number	Key No.	Patrs Number	Key No.	Patrs Number	Key No.
P022-000710	13 - 45	V471-001180	4 - 7		
P022-000710	13 - 61	V475-002210	3 - 13		
P022-001160	13 - 47	V475-002210	9 - 9		
P022-001180	13 - 50	V475-002220	7 - 12		
P022-001200	13 - 48	V475-002240	4 - 9		
P022-001310	13 - 49	V485-000230	2 - 22		
P022-002100	2 - 26	V485-000240	2 - 23		
P022-005030	13 - 52	V491-000130	1 - 39		
P022-005040	13 - 46	V491-000160	1 - 39		
P022-006200	13 - 51	V495-000760	1 - 37		
P022-006850	2 - 28	X047-000220	13 - 43		
P022-008440	2 - 35	X047-000330	11 - 55		
P022-008450	2 - 32	X047-000330	13 - 55		
P022-008460	2 - 31	X405-000001	10 - 30		
P022-008470	2 - 36	X425-000250	11 - 32		
P022-008540	2 - 38	X502-000070	2 - 42		
P022-010370	11 - 58	X502-000170	2 - 42		
P022-010370	13 - 58	X503-005900	1 - 1		
P022-010380	11 - 59	X547-000140	1 - 1		
P022-010380	13 - 59	X602-000020	5 - 3		
P022-010390	11 - 57	X602-000020	6 - 3		
P022-010390	13 - 57	X690-000030	5 - 5		
P022-010400	11 - 60	X690-000030	6 - 5		
P022-010400	13 - 60				
P022-010410	11 - 62				
P022-010410	13 - 62				
P022-010420	11 - 56				
P022-010420	13 - 56				
V103-000150	3 - 3				
V103-000160	3 - 7				
V104-000330	3 - 22				
V299-000110	7 - 24				
V299-000110	8 - 24				
V332-000000	13 - 44				
V353-000090	9 - 14				
V420-000420	1 - 48				
V420-000640	3 - 21				
V420-001060	9 - 42				
V430-000540	3 - 12				
V430-000561	7 - 11				
V430-000930	9 - 8				
V430-002020	8 - 40				
V452-000060	7 - 8				
V452-000120	9 - 31				
V452-000130	7 - 6				
V452-000200	9 - 22				
V452-000350	8 - 38				
V452-000360	8 - 36				
V471-000640	4 - 14				

YAMABIKO CORPORATION

7-2 SUEHIROCHO 1-CHOME, OHME, TOKYO 198-8760, JAPAN
PHONE: 81-428-32-6118. FAX: 81-428-32-6145.

