



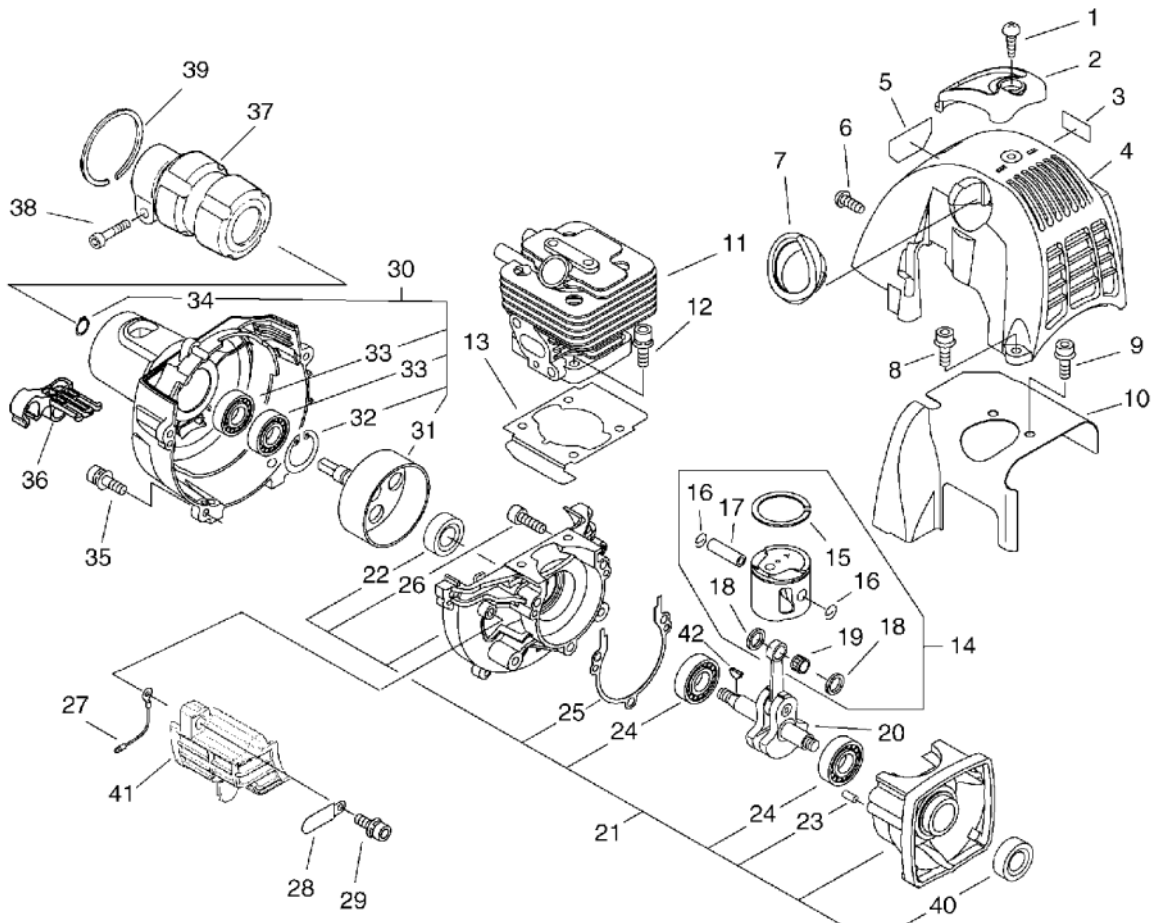
PARTS CATALOGUE

GRASS-TRIMMER / BRUSHCUTTER

SRM-265ES/L(37)

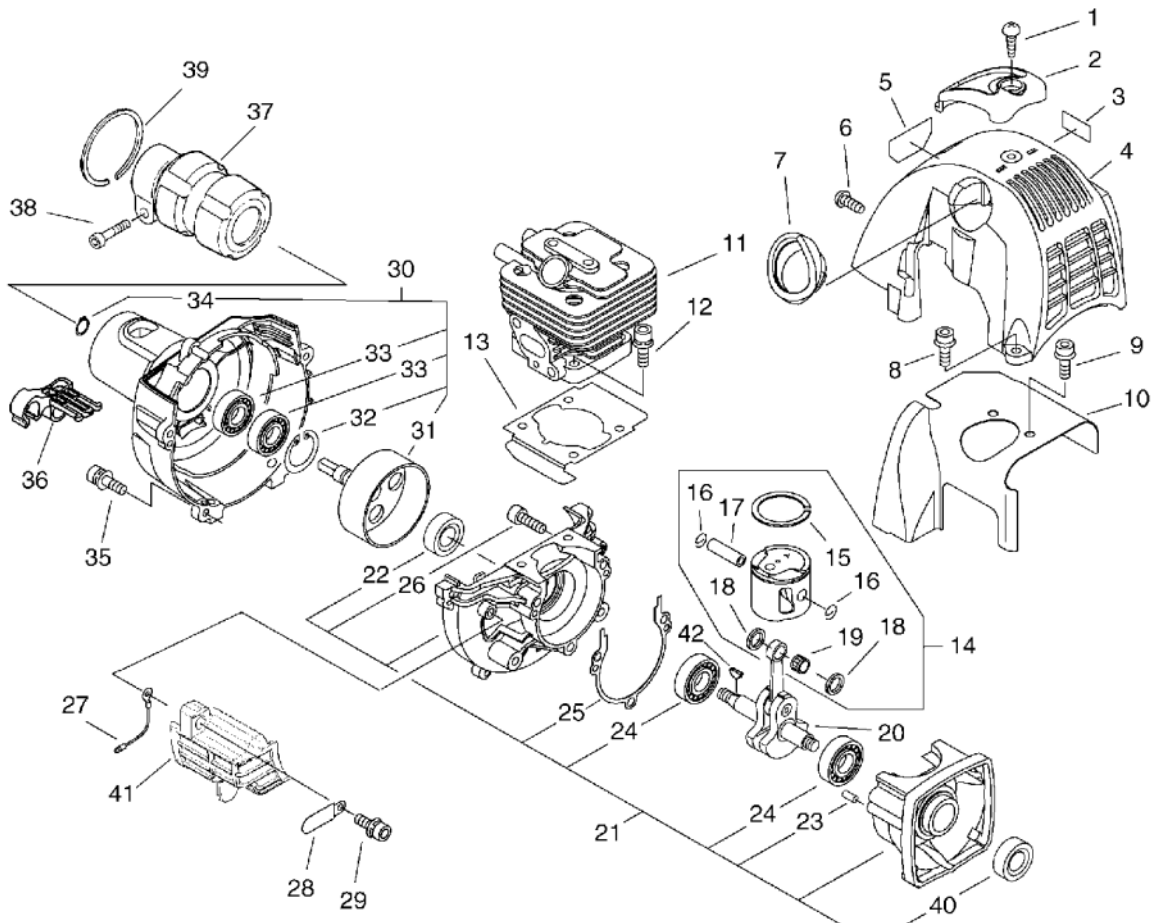
37003581 - 37008990

1. CYLINDER, CRANKCASE, PISTON



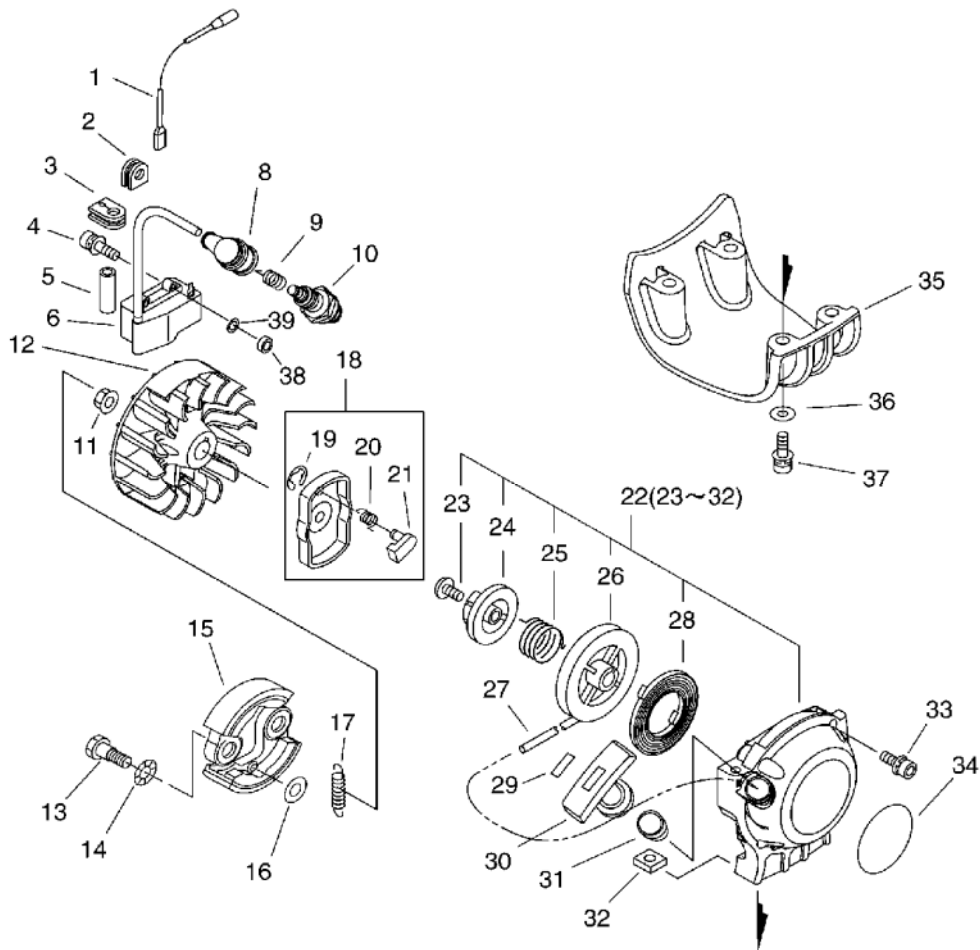
| KEY | LV | PART NUMBER | Q'TY | DESCRIPTION | REMARKS | NOTE1 | NOTE2 |
|-----|----|--------------|------|---------------------|--------------------|-------|-------|
| 1 | | 900256-05016 | 1 | SCREW, TAPPING | 5*16 | | |
| 2 | | A162-000100 | 1 | GUARD, TOP | | | |
| 3 | | X505-002310 | 1 | LABEL, CAUTION | HOT CAUTION | | |
| 4 | | A160-000780 | 1 | COVER, CYLINDER | | | |
| 5 | | X547-000700 | 1 | LABEL, ECHO | ECHO+SRM- 265ES | | |
| 6 | | 91140-05012 | 1 | BOLT | M5*12 | | |
| 7 | | A162-000080 | 1 | GUARD, TOP | | | |
| 8 | | 91121-05016 | 1 | BOLT, FLANGE | 10.9 SILVER | | |
| 9 | | 900106-05008 | 2 | BOLT, H.S. 5*8 | 5*8 | | |
| 10 | | A160-000691 | 1 | COVER, CYLINDER | | | |
| 11 | | A130-000761 | 1 | CYLINDER | | | |
| 12 | | 900162-05025 | 4 | BOLT, H.S. 5*25 | 5*25 W, SW | | |
| 13 | | V100-000210 | 1 | GASKET, CYL | T0.5 38.1 | | |
| 14 | | P021-009771 | 1 | PISTON KIT | | | |
| 15 | + | A101-000170 | 1 | RING, PISTON | 34*1.5*1.5 | | |
| 16 | + | 100015-03931 | 2 | CIRCLIP, PISTON PIN | | | |
| 17 | + | 100013-35430 | 1 | PIN, PISTON | 6*9*27.8 | | |
| 18 | + | 100014-53630 | 2 | SPACER, PISTON PIN | | | |
| 19 | + | 100012-16131 | 1 | BEARING, NEEDLE | | | |
| 20 | | A011-000434 | 1 | CRANKSHAFT, ASY | | | |
| 21 | | P021-010801 | 1 | CRANKCASE KIT | | | |
| 22 | + | 100212-42031 | 1 | OILSEAL | ISCD 12*22*4.5 | | |
| 40 | + | V505-000050 | 1 | SEAL, OIL 12 | | | |
| 23 | + | 100215-03930 | 2 | PIN, DOWEL | | | |

1. CYLINDER, CRANKCASE, PISTON



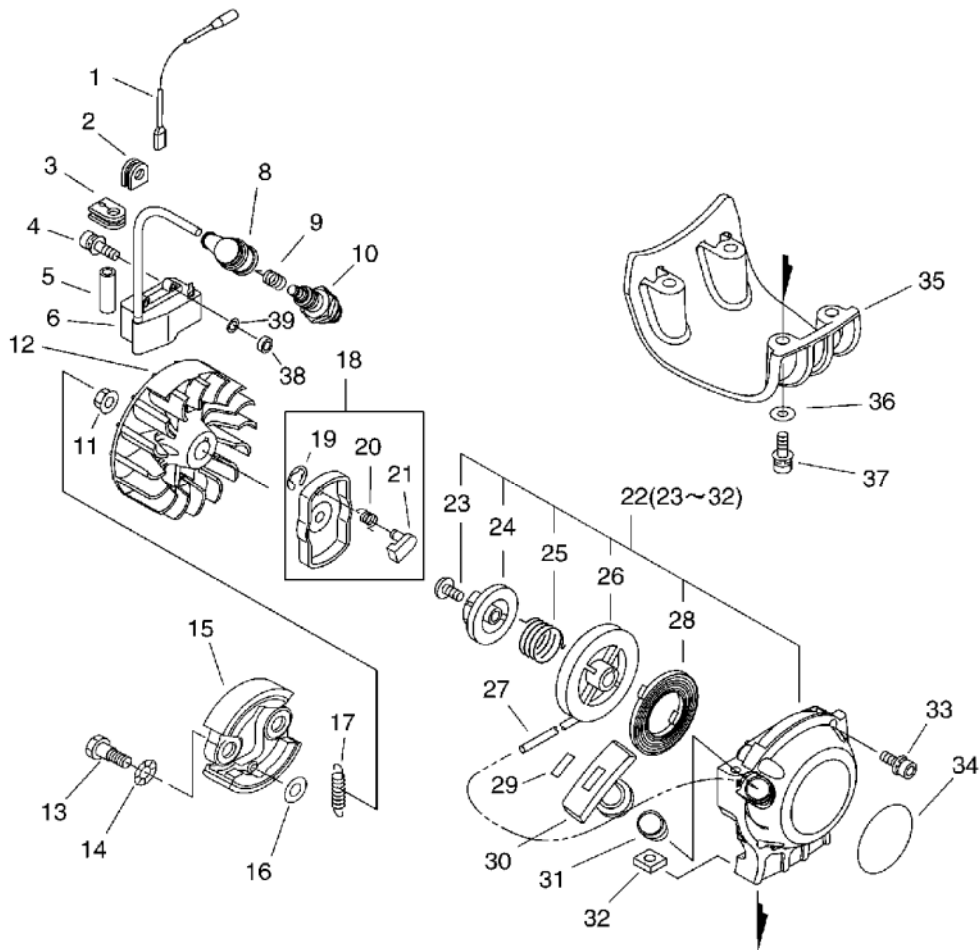
| KEY | LV | PART NUMBER | Q'TY | DESCRIPTION | REMARKS | NOTE1 | NOTE2 |
|-----|----|--------------|------|--------------------|-------------|--------|-------|
| 24 | + | 94035-36201 | 2 | BEARING BALL | 6201X3JR2C3 | | |
| 25 | + | 100242-42030 | 1 | GASKET, CRANKCASE | | | |
| 26 | + | 900162-05028 | 3 | BOLT, H.S. 5*28 | 5*28 W,SW | | |
| 27 | | 156635-43130 | 1 | LEAD, GROUND | | | |
| 28 | | 159116-21231 | 1 | CLAMP | | | |
| 29 | | 91118-05016 | 1 | BOLT | CM-5*16 | | |
| 30 | | P021-013530 | 1 | COVER,FAN ASSY | | | |
| 31 | + | A556-000040 | 1 | DRUM,CLUTCH | | | |
| 32 | + | 900702-00028 | 1 | CIRCLIP 28 | CR-28 | | |
| 33 | + | 900807-06001 | 2 | BEARING, BALL 6001 | 6001V(LB) | | |
| 34 | + | 900701-00012 | 1 | CIRCLIP 12 | CS-12 | | |
| 35 | | V202-000090 | 4 | BOLT,4 | 4*16 | | |
| 36 | | V491-000180 | 1 | CLIP | | | |
| 37 | | A575-000110 | 1 | FIXTURE,MAIN PIPE | | | |
| 38 | | 91118-05028 | 1 | BOLT | CM-5*28 | | |
| 39 | | 900702-00042 | 1 | CIRCLIP 42 | CR-42 | | |
| 41 | | A127-000160 | 1 | COVER,DUST | | | |
| 42 | | 100142-12330 | 1 | KEY, WOODRUFF | | | |
| 43 | | X530-000210 | 1 | LABEL,EYE CATCHER | | Disuse | |

2. STARTER, MAGNETO, CLUTCH



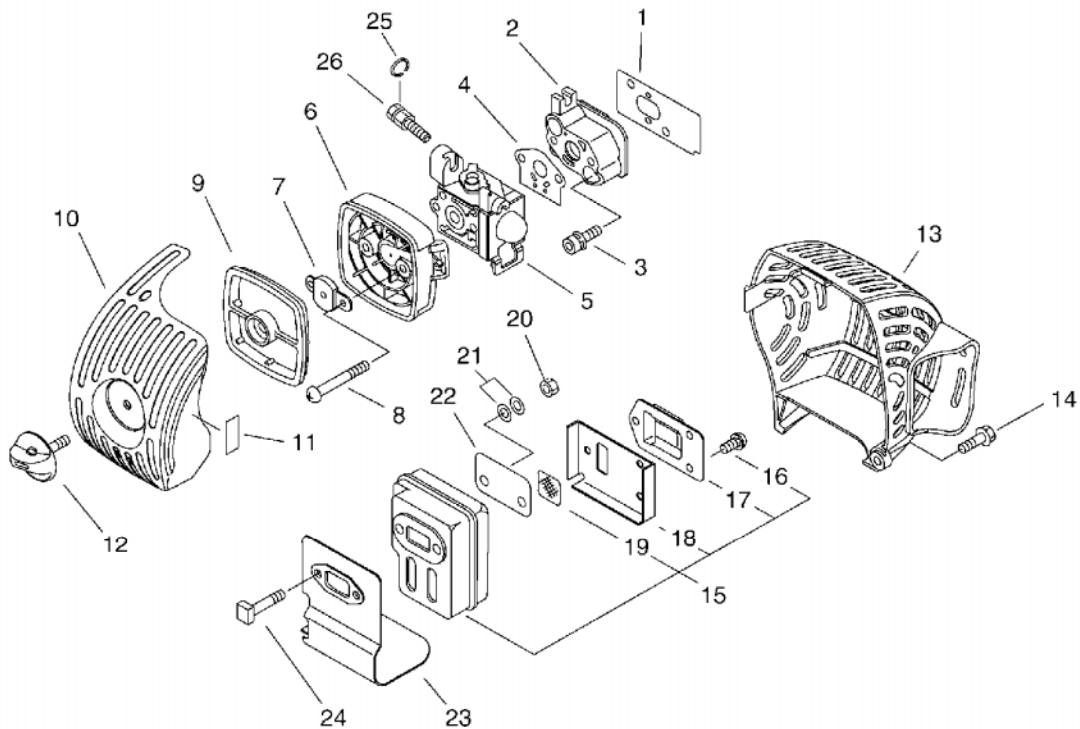
| KEY | LV | PART NUMBER | Q'TY | DESCRIPTION | REMARKS | NOTE1 | NOTE2 |
|-----|----|--------------|------|----------------------|------------|---------------------|-------|
| 1 | | 162010-04561 | 1 | LEAD, GROUND | 210L | | |
| 2 | | 156110-04920 | 1 | BUSHING | | | |
| 3 | | V135-000030 | 1 | GROMMET, HT CORD | | | |
| 4 | | V202-000130 | 2 | BOLT, 4 | CBF-4*20 | | |
| 5 | | V475-003380 | 1 | TUBE | | | |
| 6 | | A411-000250 | 1 | COIL, IGNITION | ID#C10048 | | |
| 8 | | A427-000012 | 1 | CAP, SPARK PLUG | | Sus. by A427-000013 | |
| 9 | | A426-000010 | 1 | TERMINAL, SPARK PLUG | | | |
| 10 | | A425-000000 | 1 | SPARK PLUG | BPMR8Y | | |
| 11 | | 900515-00008 | 1 | NUT, FLANGE 8 | 8 | | |
| 12 | | A409-000310 | 1 | ROTOR, MAGNETO | ID:C10744G | | |
| 13 | | 175046-56030 | 2 | SHAFT, CLUTCH | | | |
| 14 | | 175049-56030 | 2 | WASHER | 8.5*16*0.5 | | |
| 15 | | A553-000010 | 2 | ARM, CLUTCH | | | |
| 16 | | 175048-05530 | 2 | WASHER (I) | 6.2*19*1.0 | | |
| 17 | | V451-000400 | 1 | SPRING, TENSION | | | |
| 18 | | A052-000180 | 1 | PULLEY, ASM STARTER | | | |
| 19 | + | P022-002100 | 2 | E-RING | 4 | | |
| 20 | + | P022-006510 | 2 | SPRING, RETURN | | | |
| 21 | + | P022-006850 | 2 | PAWL, STARTER | | | |
| 22 | | A051-000940 | 1 | STARTER, RECOIL ASY | | | |
| 23 | + | 177236-61830 | 1 | SCREW | | | |
| 24 | + | P022-008280 | 1 | PLATE, CAM | | | |
| 25 | + | P022-008270 | 1 | SPRING, DAMPER | | | |
| 26 | + | P022-006830 | 1 | DRUM | | | |

2. STARTER, MAGNETO, CLUTCH



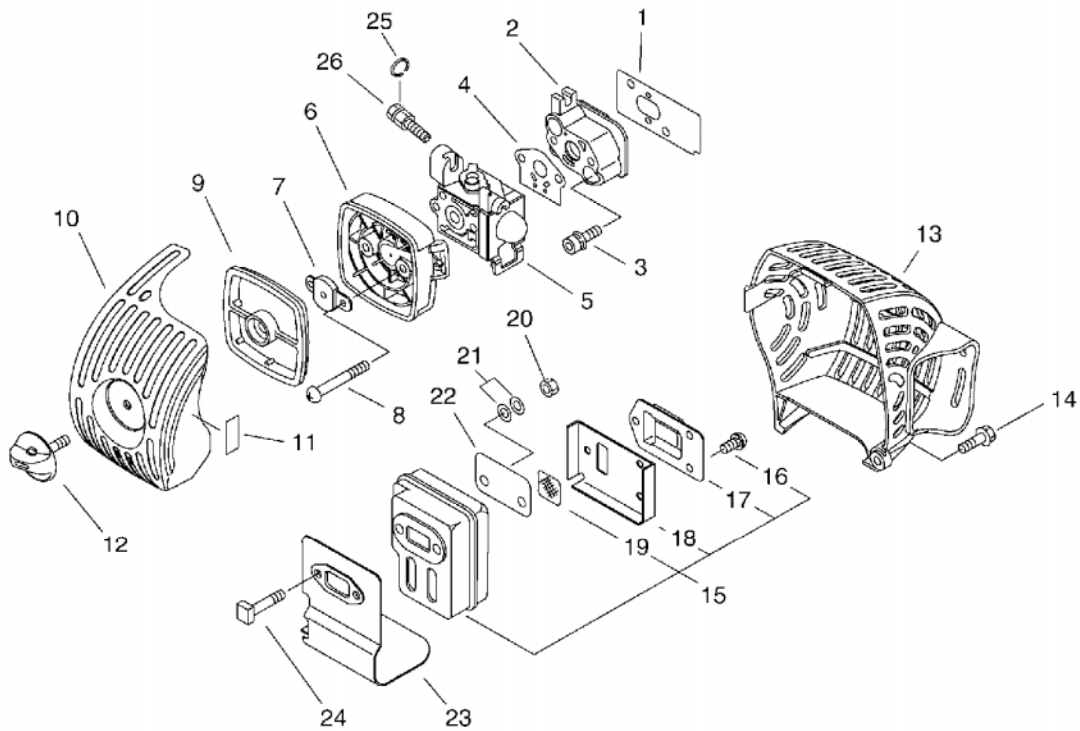
| KEY | LV | PART NUMBER | Q'TY | DESCRIPTION | REMARKS | NOTE1 | NOTE2 |
|-----|----|--------------|------|--------------------|--------------|---------------------|-------|
| 27 | + | P022-008260 | 1 | ROPE | 3M/M | | |
| 28 | + | 177220-42030 | 1 | SPRING, REWIND | | | |
| 29 | + | 177246-11120 | 1 | CLIP, STARTER ROPE | | | |
| 30 | + | 177228-27030 | 1 | GRIP, STARTER | | | |
| 31 | + | 177227-42030 | 1 | GUIDE, ROPE | | | |
| 32 | + | 900565-00005 | 4 | NUT | 5 | | |
| 33 | | V202-000090 | 4 | BOLT,4 | 4*16 | | |
| 34 | | X502-000330 | 1 | LABEL,ECHO | ECHO | | |
| 35 | | A175-000030 | 1 | STAND | | | |
| 36 | | 900603-00005 | 4 | WASHER 5 | 5.5*12*0.8 | | |
| 37 | | 91118-05025 | 4 | BOLT | CM-5*25 | | |
| 38 | | V322-000030 | 2 | WASHER,CIRCULAR 4 | CY4715-30MBK | Sus. by V322-000031 | |
| 38 | | V322-000031 | 2 | WASHER,CIRCULAR 4 | | | |
| 39 | | 900603-00004 | 2 | WASHER 4 | 4.5*10*0.8 | | |

3. AIR CLEANER, CARBURETOR, MUFFLER



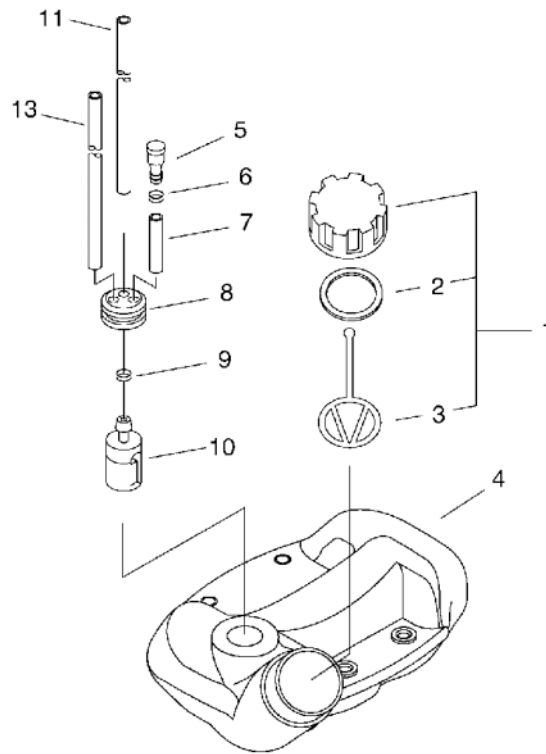
| KEY | LV | PART NUMBER | Q'TY | DESCRIPTION | REMARKS | NOTE1 | NOTE2 |
|-----|----|--------------|------|----------------------|---------------|-----------------------------|-------|
| 1 | | V103-000210 | 1 | GASKET,INTAKE | | | |
| 2 | | A200-000200 | 1 | INSULATOR,INTAKE | | | |
| 3 | | 900162-05025 | 2 | BOLT, H.S. 5*25 | 5*25 W,SW | | |
| 4 | | V103-000270 | 1 | GASKET,INTAKE | T1.5-11 | | |
| 5 | | A021-001530 | 1 | CARBURETOR,DIAPHRAGM | RB-K | Sr/Nr 37008990 and befor | |
| 6 | | P021-004480 | 1 | CASE, AIR CLEANER | | | |
| 7 | | 129011-52730 | 1 | PLATE, PREVENT | | | |
| 8 | | 900242-05065 | 2 | SCREW 5*65 | 5*65 | | |
| 9 | | 130310-54130 | 1 | FILTER, AIR | | | |
| 10 | | A232-000330 | 1 | LID,CLEANER | | | |
| 11 | | 890332-52730 | 1 | LABEL, CHOKE | | | |
| 12 | | V299-000250 | 1 | KNOB,FASTENER | | | |
| 13 | | A320-000340 | 1 | COVER,MUFFLER | | | |
| 14 | | 91121-05016 | 1 | BOLT, FLANGE | 10.9 SILVER | | |
| 15 | | P021-011580 | 1 | MUFFLER ASY | | | |
| 16 | + | 91367-04010 | 3 | SCREW | 4*10/SW(SUS) | | |
| 17 | + | A313-000830 | 1 | GUIDE, EXHAUST | ID#1330 | | |
| 18 | + | V104-000790 | 1 | GASKET,EXHAUST | | | |
| 19 | + | 145862-40630 | 1 | SCREEN, MUFFLER | | | |
| 20 | | 900500-00005 | 2 | NUT 5 | 5 | | |
| 21 | | 92280-05000 | 2 | WASHER, NORD-LOCK | NL5 5.4*9*1.8 | | |
| 22 | | V150-001760 | 1 | PLATE,EYE | | | |
| 23 | | V104-000780 | 1 | GASKET,EXHAUST | | | |
| 24 | | V203-000120 | 2 | BOLT,5 | L=60 | | |

3. AIR CLEANER, CARBURETOR, MUFFLER



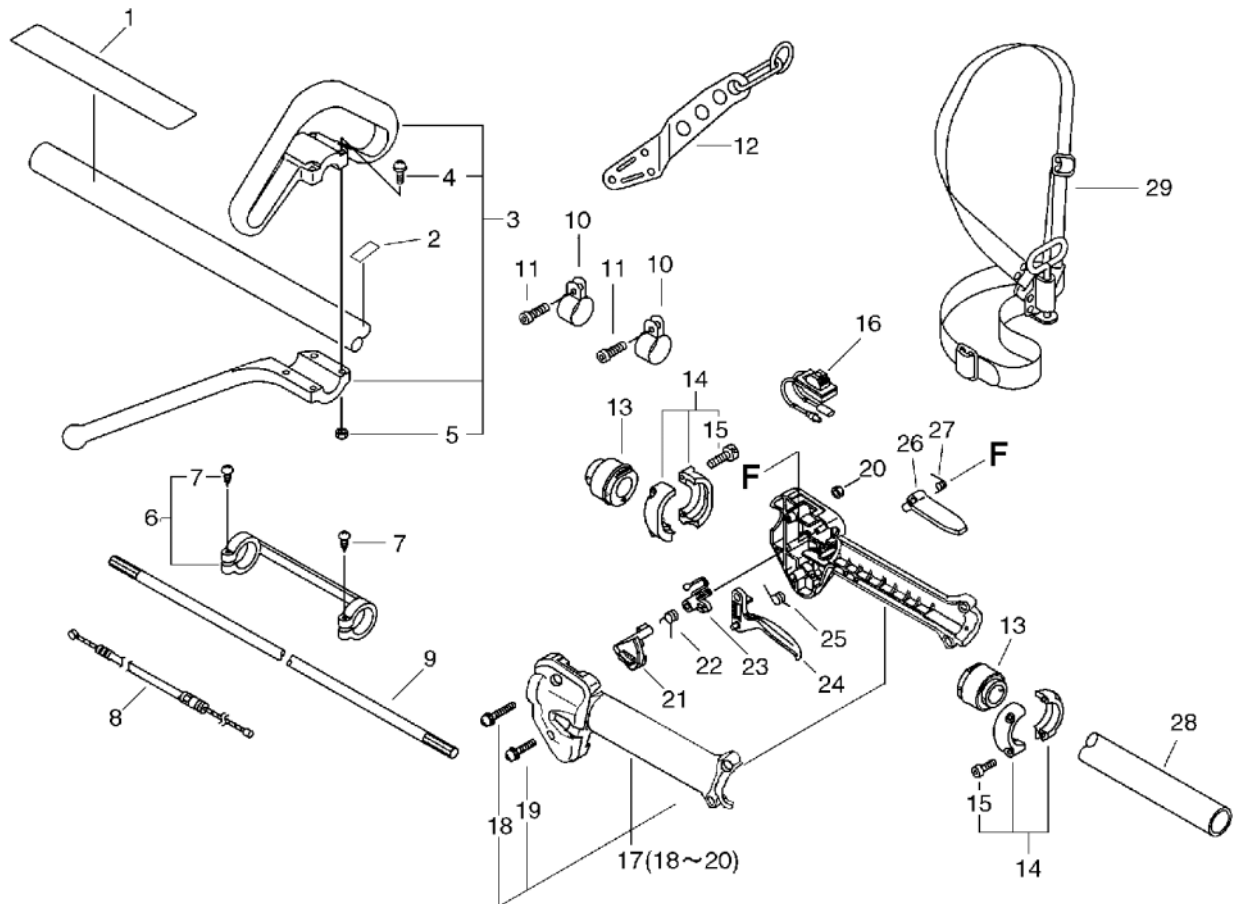
| KEY | LV | PART NUMBER | Q'TY | DESCRIPTION | REMARKS | NOTE1 | NOTE2 |
|-----|----|--------------|------|---------------------|---------|-----------------------------|-------|
| 25 | | 100015-00120 | 1 | CIRCLIP, PISTON PIN | | Sr/Nr 37008990 and befor | |
| 26 | | C486-000000 | 1 | CABLE, ADJUSTER | | Sr/Nr 37008990 and befor | |

4. FUEL TANK



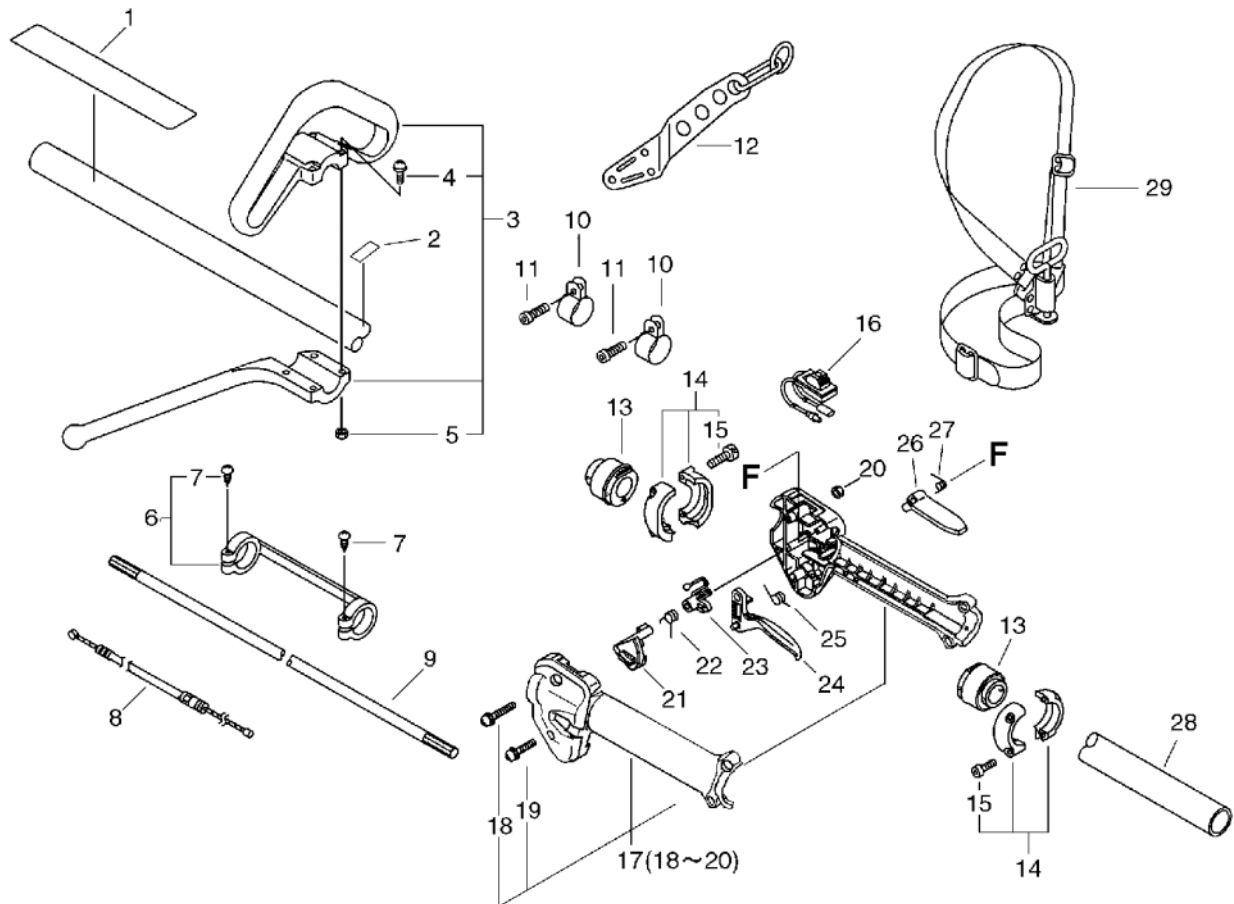
| KEY | LV | PART NUMBER | Q'TY | DESCRIPTION | REMARKS | NOTE1 | NOTE2 |
|-----|----|--------------|------|------------------|------------|----------------------|-------|
| 1 | | P021-012210 | 1 | CAP,FUEL ASY | | | |
| 2 | + | 131016-55830 | 1 | GASKET, FUEL CAP | | | |
| 3 | + | A365-000060 | 1 | CONNECTOR,CAP | L=123 | | |
| 4 | | A350-000440 | 1 | TANK, FUEL | | | |
| 5 | | A356-000030 | 1 | VALVE,CHECK | | | |
| 6 | | 132013-26630 | 1 | CLIP | 6.5MM | | |
| 7 | | V471-001180 | 1 | PIPE | 3*6*35 NBR | | |
| 8 | | 132115-55930 | 1 | GROMMET, FUEL | | | |
| 9 | | 132013-09820 | 1 | CLIP | 6MM | | |
| 10 | | 131205-19830 | 1 | STRAINER, FUEL | | Sus. by 131205-19831 | |
| 11 | | V470-000580 | 1 | PIPE | 3*5*195 | | |
| 12 | | 132001-15030 | 1 | VALVE, CHECK | | Disuse | |
| 13 | | 132010-40830 | 1 | PIPE 3* 6* 75 | 3*6*75 YL | | |

5. HANDLE



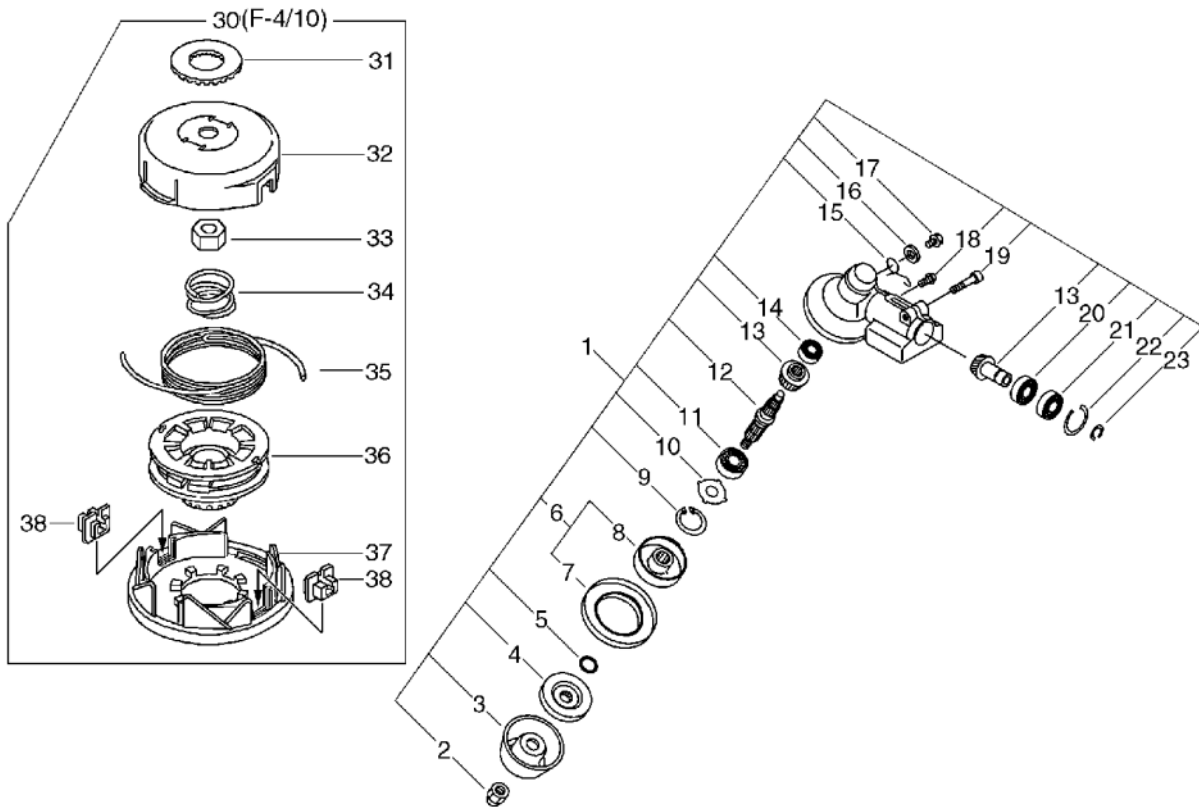
| KEY | LV | PART NUMBER | Q'TY | DESCRIPTION | REMARKS | NOTE1 | NOTE2 |
|-----|----|--------------|------|----------------------|------------------|------------------------------|-------|
| 1 | | 890617-43130 | 1 | LABEL,CAUTION | | | |
| 2 | | 890152-04930 | 1 | LABEL, CAUTION | | | |
| 3 | | P021-013540 | 1 | FRONT HANDLE ASY | | | |
| 4 | + | 91118-05035 | 4 | BOLT | | | |
| 5 | + | 900500-00005 | 4 | NUT 5 | 5 | | |
| 6 | | 610281-54130 | 1 | COLLER | | | |
| 7 | + | 900253-04025 | 2 | SCREW 4*25 | 4*25 | | |
| 8 | | V430-001960 | 1 | CABLE,BOWDEN | OUT360 IN71 120D | Sr/Nr 37008990 and before | |
| 9 | | C504-000050 | 1 | SHAFT,DRIVE | 7*1540 | | |
| 10 | | V495-000580 | 2 | BAND | | Sus. By V495- 001010 | |
| 10 | | V495-001010 | 2 | BAND | | | |
| 11 | | 91118-05014 | 2 | BOLT | | | |
| 12 | | C624-000020 | 1 | HANGER,HARNESS | | | |
| 13 | | V420-000960 | 2 | CUSHION | | | |
| 14 | | P021-012630 | 2 | BRACKET ASM., HANDLE | | | |
| 15 | + | 91118-05025 | 4 | BOLT | CM-5*25 | | |
| 16 | | A440-000890 | 1 | SWITCH, ON OFF | CA/CB-104/L:660 | | |
| 17 | | P021-013560 | 1 | BRACKET SET,THROTTLE | | | |
| 18 | + | 91118-05035 | 1 | BOLT | | | |
| 19 | + | 91118-05025 | 3 | BOLT | CM-5*25 | | |
| 20 | + | 900500-00005 | 4 | NUT 5 | 5 | | |
| 21 | | C461-000010 | 1 | LATCH,THROTTLE | | | |
| 22 | | V452-000120 | 1 | SPRING,TORSION | | | |

5. HANDLE



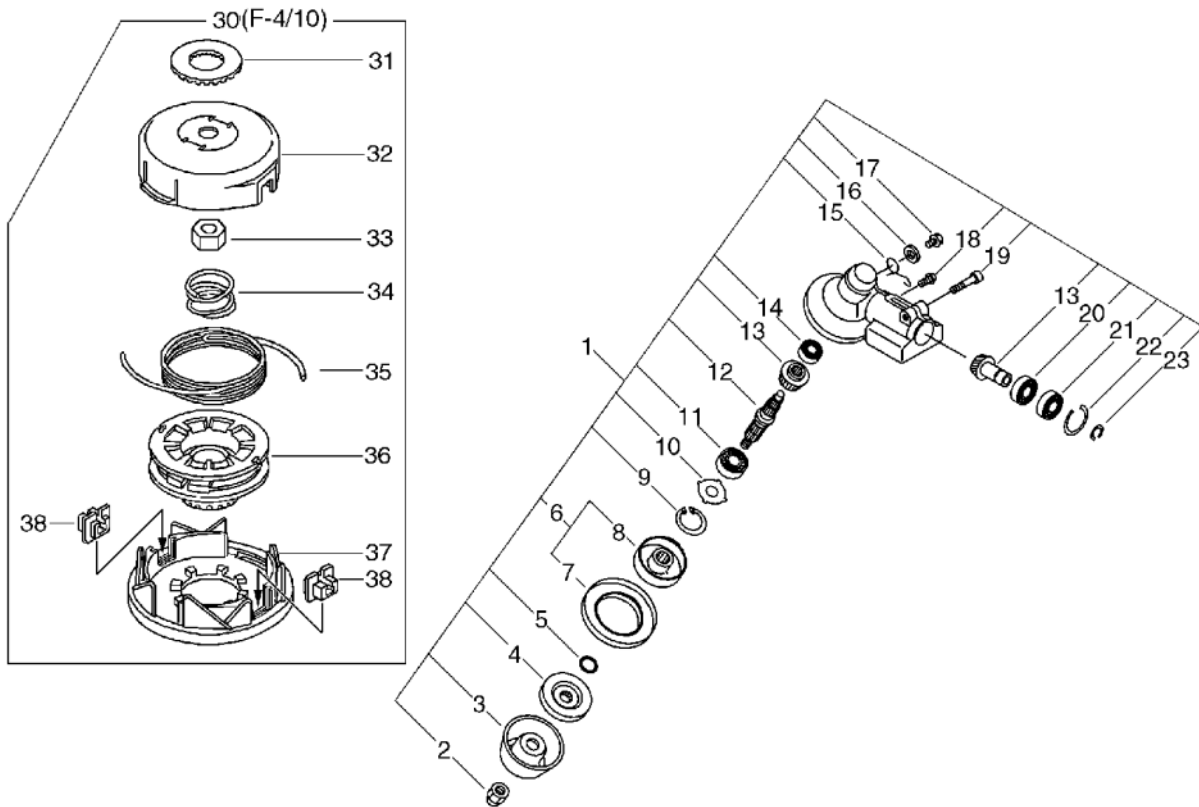
| KEY | LV | PART NUMBER | Q'TY | DESCRIPTION | REMARKS | NOTE1 | NOTE2 |
|-----|----|--------------|------|---------------------|---------|-------|-------|
| 23 | | C461-000000 | 1 | LATCH,THROTTLE | | | |
| 24 | | C450-000110 | 1 | TRIGGER,THROTTLE | | | |
| 25 | | 178043-42230 | 1 | SPRING, THR. RETURN | | | |
| 26 | | 178090-52632 | 1 | LOCKOUT, T. CONTROL | | | |
| 27 | | 178013-52630 | 1 | SPRING, THR. LOCK | | | |
| 28 | | C050-000320 | 1 | PIPE,MAIN | | | |
| 29 | | 301000-55231 | 1 | HARNES ASY,SHOULDER | | | |

6. GEAR CASE, CUTTER



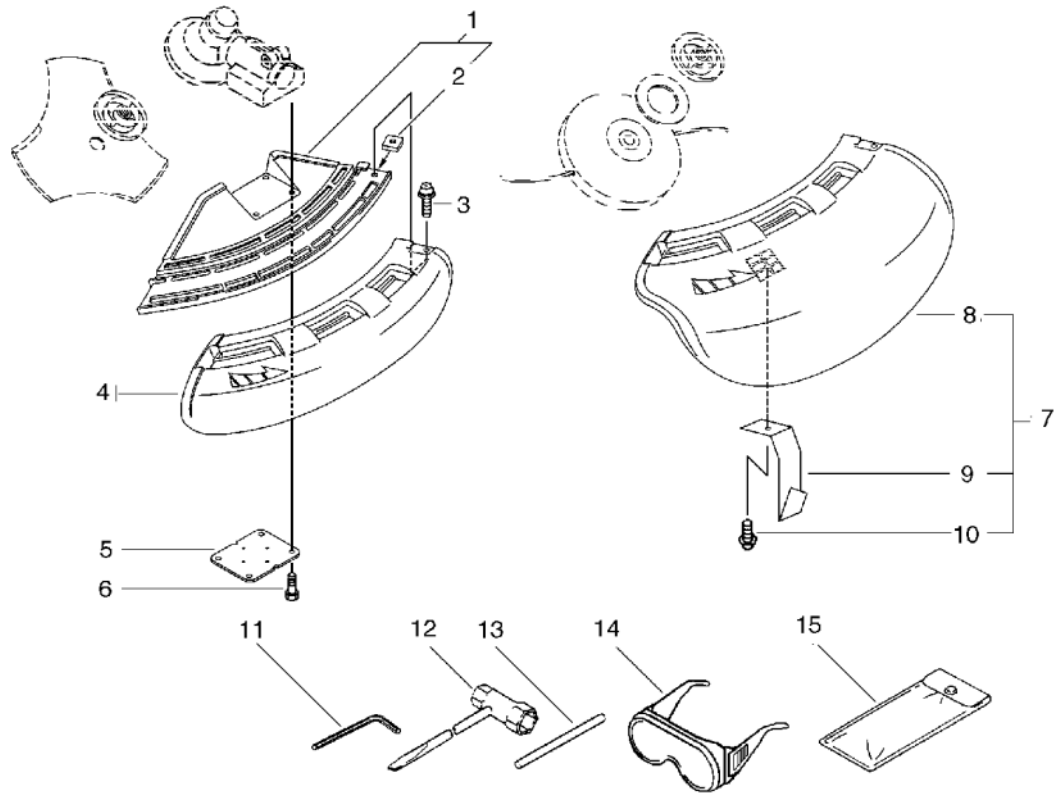
| KEY | LV | PART NUMBER | Q'TY | DESCRIPTION | REMARKS | NOTE1 | NOTE2 |
|-----|----|--------------|------|---------------------|--------------|-------|-------|
| 1 | | P021-012600 | 1 | CASE,GEAR | | | |
| 2 | + | 610320-52130 | 1 | NUT 10 | | | |
| 3 | + | 699229-56830 | 1 | PLATE, COVER | | | |
| 4 | + | 610314-52130 | 1 | PLATE, ADAPTER (L) | | | |
| 5 | + | 900720-00012 | 1 | O-RING 12 | P-12 | | |
| 6 | + | C535-000001 | 1 | FIXTURE,BLADE | | | |
| 7 | ++ | 610352-56830 | 1 | PLATE, CUP | | | |
| 8 | ++ | C535-000011 | 1 | FIXTURE,BLADE | | | |
| 9 | + | 900702-00032 | 1 | CIRCLIP 32 | CR-32 | | |
| 10 | + | 610444-56830 | 1 | WASHER | | | |
| 11 | + | 900812-06201 | 1 | BEARING, BALL 6201 | 6201DDU(LLU) | | |
| 12 | + | 610310-56830 | 1 | SHAFT, P.T.O. | | | |
| 13 | + | V000-000040 | 1 | GEAR SET, BEVEL | | | |
| 14 | + | 900810-00626 | 1 | BEARING, BALL 626 | 626 | | |
| 15 | + | 610473-52131 | 1 | SPRING | | | |
| 16 | + | 900603-50008 | 1 | WASHER | 8.5*18*0.8T | | |
| 17 | + | 610434-50031 | 1 | BOLT 8* 8 | M8*8 | | |
| 18 | + | 900242-05010 | 1 | SCREW 5*10 | 5*10 | | |
| 19 | + | 91118-06025 | 1 | BOLT | | | |
| 20 | + | 900855-06900 | 1 | BEARING, BALL 6900 | 6900 | | |
| 21 | + | 900858-06900 | 1 | BEARING, BALL 6900Z | 6900Z | | |
| 22 | + | 900702-00022 | 1 | CIRCLIP 22 | CR-22 | | |
| 23 | + | 900706-00010 | 1 | CIRCLIP 10 | WR-10 | | |
| 30 | | X047-000260 | 1 | CUTTER,ASM LINE | F4/10 M10L | | |
| 31 | + | V332-000000 | 1 | WASHER,CIRCULAR 24 | | | |
| 32 | + | P022-003310 | 1 | HOUSING | | | |

6. GEAR CASE, CUTTER



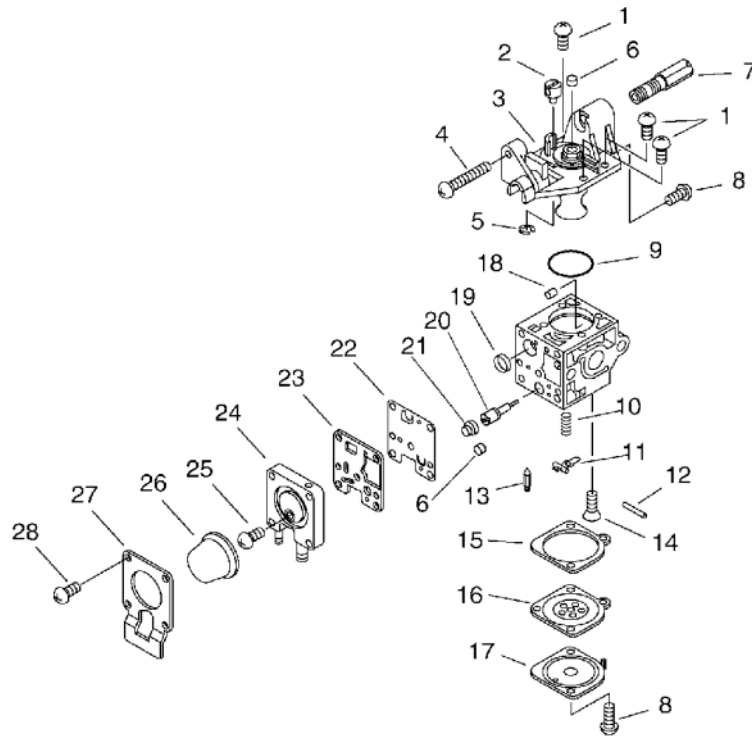
| KEY | LV | PART NUMBER | Q'TY | DESCRIPTION | REMARKS | NOTE1 | NOTE2 |
|-----|----|-------------|------|-------------|---------|-------|-------|
| 33 | + | P022-001220 | 1 | NUT | | | |
| 34 | + | P022-001250 | 1 | SPRING | DS-3/10 | | |
| 35 | + | P022-006190 | 1 | NYLON CODE | 3.0*2M | | |
| 36 | + | P022-001260 | 1 | BOBBIN | DS-3/10 | | |
| 37 | + | P022-003330 | 1 | COVER | | | |
| 38 | + | P022-000710 | 2 | EYELET | T4 | | |

7. SHIELD



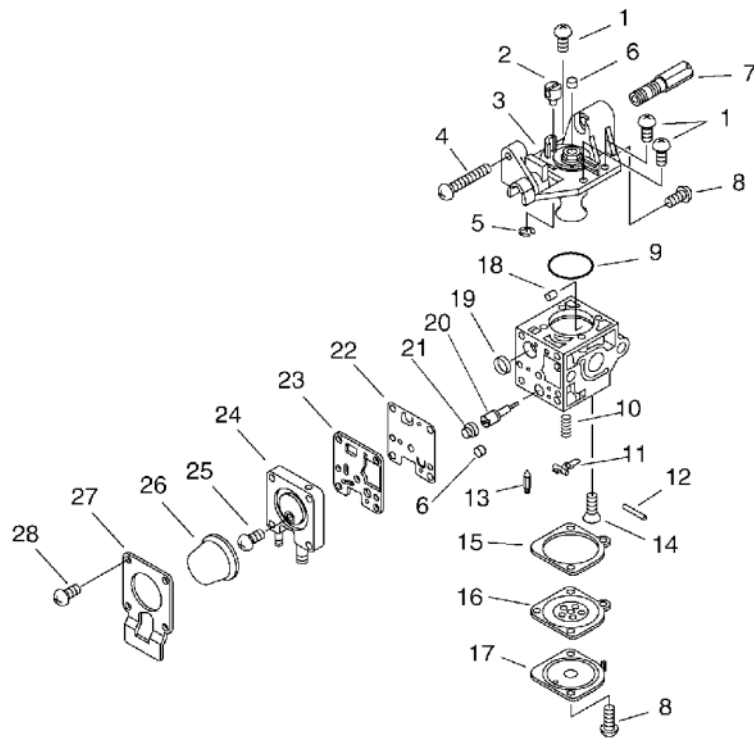
| KEY | LV | PART NUMBER | Q'TY | DESCRIPTION | REMARKS | NOTE1 | NOTE2 |
|-----|----|--------------|------|----------------|------------|-----------------------------|-------|
| 1 | | C550-000100 | 1 | SHIELD,BLADE | | | |
| 2 | + | 900565-00005 | 1 | NUT | 5 | | |
| 3 | | 91118-05018 | 1 | BOLT | CM-5*18 | | |
| 4 | | C550-000090 | 1 | SHIELD,BLADE | | | |
| 5 | | 699013-56830 | 1 | PLATE, SHIELD | | | |
| 6 | | 91118-05025 | 4 | BOLT | CM-5*25 | | |
| 7 | | P021-013770 | 1 | SHIELD KIT | | Sr/Nr 37003581 and after | |
| 8 | + | C550-000080 | 1 | SHIELD,BLADE | | | |
| 9 | + | C554-000030 | 1 | KNIFE, CORD | 17INCH | Sr/Nr 37003581 and after | |
| 10 | + | 900252-05012 | 1 | SCREW 5*12 | 5*12 | | |
| 11 | | 895610-00130 | 1 | L-WRENCH (4MM) | | | |
| 12 | | X602-000020 | 1 | TOOL,WRENCH | 17*19 L200 | | |
| 13 | | 897518-01131 | 1 | LOCKING TOOL | | | |
| 14 | | P021-002861 | 1 | GOGGLES | | | |
| 15 | | 898510-39130 | 1 | BAG, TOOL | | | |

8. CARBURETOR



| KEY | LV | PART NUMBER | Q'TY | DESCRIPTION | REMARKS | NOTE1 | NOTE2 |
|-----|----|--------------|------|----------------------|---------|-----------------------------|-------|
| | | A021-001530 | 1 | CARBURETOR,DIAPHRAGM | RB-K | Sr/Nr 37008990 and befor | |
| 1 | + | 125344-13931 | 3 | SCREW | | | |
| 2 | + | P005-001240 | 1 | POST | | | |
| 3 | + | P005-001980 | 1 | COVER ASY, ROTOR | | Sr/Nr 37008990 and befor | |
| 4 | + | P005-000100 | 1 | SCREW,THROTTLEADJUST | | | |
| 5 | + | P005-000190 | 1 | E-RING | | | |
| 6 | + | P005-001270 | 2 | PLUG, H AJUST SCREW | | | |
| 7 | + | P005-002010 | 1 | SCREW, WIRW ADJUST | | | |
| 8 | + | 125344-52130 | 3 | SCREW | | | |
| 9 | + | P005-000280 | 1 | O-RING | | | |
| 10 | + | 125322-07260 | 1 | SPRING, COIL | | | |
| 11 | + | 125323-08260 | 1 | ARM, VALVE | | | |
| 12 | + | 125338-13930 | 1 | PIN, METERING ARM | | | |
| 13 | + | 125337-08260 | 1 | VALVE, INLET NEEDLE | | | |
| 14 | + | 125339-42030 | 1 | SCREW | | | |
| 15 | + | P005-000200 | 1 | GASKET, METERING | | | |
| 16 | + | P005-001780 | 1 | DIAPHRAGM | | | |
| 17 | + | 125342-52130 | 1 | COVER, DIAPHRAGM | | | |
| 18 | + | P005-001000 | 1 | ROLLER, GUIDE | | | |
| 19 | + | P005-000010 | 1 | STRAINER | | | |
| 20 | + | P005-001290 | 1 | SCREW,MAINN MIXTURE | | | |
| 21 | + | P005-001250 | 1 | RETAINER,PLUG BALL | | | |
| 22 | + | P005-000510 | 1 | DIAPHRAGM, PUMP | | | |
| 23 | + | P005-000520 | 1 | GASKET, PUMP | | | |

8. CARBURETOR



| KEY | LV | PART NUMBER | Q'TY | DESCRIPTION | REMARKS | NOTE1 | NOTE2 |
|-----|----|--------------|------|------------------|---------|-------|-------|
| 24 | + | P005-001890 | 1 | BASE, ASY PRIMER | | | |
| 25 | + | P005-000270 | 1 | SCREW | | | |
| 26 | + | 125381-08660 | 1 | PUMP, PRIMING | | | |
| 27 | + | P005-000250 | 1 | RETAINER | | | |
| 28 | + | P005-001900 | 4 | SCREW | | | |

9. REPAIR KIT

| KEY | LV | PART NUMBER | Q'TY | DESCRIPTION | REMARKS | NOTE1 | NOTE2 |
|------|----|--------------|------|----------------------|---------|-------|-------|
| | | P005-001660 | 1 | DIAPHRAGM/GASKET KIT | | | |
| 9-15 | + | P005-000200 | 1 | GASKET, METERING | | | |
| 9-16 | + | P005-001780 | 1 | DIAPHRAGM | | | |
| 9-22 | + | P005-000510 | 1 | DIAPHRAGM, PUMP | | | |
| 9-23 | + | P005-000520 | 1 | GASKET, PUMP | | | |
| | | P005-001990 | 1 | REBUILD KIT | | | |
| 9-10 | + | 125322-07260 | 1 | SPRING, COIL | | | |
| 9-11 | + | 125323-08260 | 1 | ARM, VALVE | | | |
| 9-12 | + | 125338-13930 | 1 | PIN, METERING ARM | | | |
| 9-13 | + | 125337-08260 | 1 | VALVE, INLET NEEDLE | | | |
| 9-15 | + | P005-000200 | 1 | GASKET, METERING | | | |
| 9-16 | + | P005-001780 | 1 | DIAPHRAGM | | | |
| 9-18 | + | P005-001000 | 1 | ROLLER, GUIDE | | | |
| 9-19 | + | P005-000010 | 1 | STRAINER | | | |
| 9-22 | + | P005-000510 | 1 | DIAPHRAGM, PUMP | | | |
| 9-23 | + | P005-000520 | 1 | GASKET, PUMP | | | |

Index

| Patrs Number | Key No. | Patrs Number | Key No. | Patrs Number | Key No. |
|---------------------|----------------|---------------------|----------------|---------------------|----------------|
| 100012-16131 | 1 - 19 | 610310-56830 | 6 - 12 | 91118-05025 | 5 - 15 |
| 100013-35430 | 1 - 17 | 610314-52130 | 6 - 4 | 91118-05025 | 5 - 19 |
| 100014-53630 | 1 - 18 | 610320-52130 | 6 - 2 | 91118-05025 | 7 - 6 |
| 100015-00120 | 3 - 25 | 610352-56830 | 6 - 7 | 91118-05028 | 1 - 38 |
| 100015-03931 | 1 - 16 | 610434-50031 | 6 - 17 | 91118-05035 | 5 - 4 |
| 100142-12330 | 1 - 42 | 610444-56830 | 6 - 10 | 91118-05035 | 5 - 18 |
| 100212-42031 | 1 - 22 | 610473-52131 | 6 - 15 | 91118-06025 | 6 - 19 |
| 100215-03930 | 1 - 23 | 699013-56830 | 7 - 5 | 91121-05016 | 1 - 8 |
| 100242-42030 | 1 - 25 | 699229-56830 | 6 - 3 | 91121-05016 | 3 - 14 |
| 125322-07260 | 8 - 10 | 890152-04930 | 5 - 2 | 91140-05012 | 1 - 6 |
| 125322-07260 | 9 - 9-10 | 890332-52730 | 3 - 11 | 91367-04010 | 3 - 16 |
| 125323-08260 | 8 - 11 | 890617-43130 | 5 - 1 | 92280-05000 | 3 - 21 |
| 125323-08260 | 9 - 9-11 | 895610-00130 | 7 - 11 | 94035-36201 | 1 - 24 |
| 125337-08260 | 8 - 13 | 897518-01131 | 7 - 13 | A011-000434 | 1 - 20 |
| 125337-08260 | 9 - 9-13 | 898510-39130 | 7 - 15 | A021-001530 | 3 - 5 |
| 125338-13930 | 8 - 12 | 900106-05008 | 1 - 9 | A021-001530 | 8 - |
| 125338-13930 | 9 - 9-12 | 900162-05025 | 1 - 12 | A051-000940 | 2 - 22 |
| 125339-42030 | 8 - 14 | 900162-05025 | 3 - 3 | A052-000180 | 2 - 18 |
| 125342-52130 | 8 - 17 | 900162-05028 | 1 - 26 | A101-000170 | 1 - 15 |
| 125344-13931 | 8 - 1 | 900242-05010 | 6 - 18 | A127-000160 | 1 - 41 |
| 125344-52130 | 8 - 8 | 900242-05065 | 3 - 8 | A130-000761 | 1 - 11 |
| 125381-08660 | 8 - 26 | 900252-05012 | 7 - 10 | A160-000691 | 1 - 10 |
| 129011-52730 | 3 - 7 | 900253-04025 | 5 - 7 | A160-000780 | 1 - 4 |
| 130310-54130 | 3 - 9 | 900256-05016 | 1 - 1 | A162-000080 | 1 - 7 |
| 131016-55830 | 4 - 2 | 900500-00005 | 3 - 20 | A162-000100 | 1 - 2 |
| 131205-19830 | 4 - 10 | 900500-00005 | 5 - 5 | A175-000030 | 2 - 35 |
| 132001-15030 | 4 - 12 | 900500-00005 | 5 - 20 | A200-000200 | 3 - 2 |
| 132010-40830 | 4 - 13 | 900515-00008 | 2 - 11 | A232-000330 | 3 - 10 |
| 132013-09820 | 4 - 9 | 900565-00005 | 2 - 32 | A313-000830 | 3 - 17 |
| 132013-26630 | 4 - 6 | 900565-00005 | 7 - 2 | A320-000340 | 3 - 13 |
| 132115-55930 | 4 - 8 | 900603-00004 | 2 - 39 | A350-000440 | 4 - 4 |
| 145862-40630 | 3 - 19 | 900603-00005 | 2 - 36 | A356-000030 | 4 - 5 |
| 156110-04920 | 2 - 2 | 900603-50008 | 6 - 16 | A365-000060 | 4 - 3 |
| 156635-43130 | 1 - 27 | 900701-00012 | 1 - 34 | A409-000310 | 2 - 12 |
| 159116-21231 | 1 - 28 | 900702-00022 | 6 - 22 | A411-000250 | 2 - 6 |
| 162010-04561 | 2 - 1 | 900702-00028 | 1 - 32 | A425-000000 | 2 - 10 |
| 175046-56030 | 2 - 13 | 900702-00032 | 6 - 9 | A426-000010 | 2 - 9 |
| 175048-05530 | 2 - 16 | 900702-00042 | 1 - 39 | A427-000012 | 2 - 8 |
| 175049-56030 | 2 - 14 | 900706-00010 | 6 - 23 | A440-000890 | 5 - 16 |
| 177220-42030 | 2 - 28 | 900720-00012 | 6 - 5 | A553-000010 | 2 - 15 |
| 177227-42030 | 2 - 31 | 900807-06001 | 1 - 33 | A556-000040 | 1 - 31 |
| 177228-27030 | 2 - 30 | 900810-00626 | 6 - 14 | A575-000110 | 1 - 37 |
| 177236-61830 | 2 - 23 | 900812-06201 | 6 - 11 | C050-000320 | 5 - 28 |
| 177246-11120 | 2 - 29 | 900855-06900 | 6 - 20 | C450-000110 | 5 - 24 |
| 178013-52630 | 5 - 27 | 900858-06900 | 6 - 21 | C461-000000 | 5 - 23 |
| 178043-42230 | 5 - 25 | 91118-05014 | 5 - 11 | C461-000010 | 5 - 21 |
| 178090-52632 | 5 - 26 | 91118-05016 | 1 - 29 | C486-000000 | 3 - 26 |
| 301000-55231 | 5 - 29 | 91118-05018 | 7 - 3 | C504-000050 | 5 - 9 |
| 610281-54130 | 5 - 6 | 91118-05025 | 2 - 37 | C535-000001 | 6 - 6 |

Index

| Patrs Number | Key No. | Patrs Number | Key No. | Patrs Number | Key No. |
|---------------------|----------------|---------------------|----------------|---------------------|----------------|
| C535-000011 | 6 - 8 | P022-000710 | 6 - 38 | | |
| C550-000080 | 7 - 8 | P022-001220 | 6 - 33 | | |
| C550-000090 | 7 - 4 | P022-001250 | 6 - 34 | | |
| C550-000100 | 7 - 1 | P022-001260 | 6 - 36 | | |
| C554-000030 | 7 - 9 | P022-002100 | 2 - 19 | | |
| C624-000020 | 5 - 12 | P022-003310 | 6 - 32 | | |
| P005-000010 | 8 - 19 | P022-003330 | 6 - 37 | | |
| P005-000010 | 9 - 9-19 | P022-006190 | 6 - 35 | | |
| P005-000100 | 8 - 4 | P022-006510 | 2 - 20 | | |
| P005-000190 | 8 - 5 | P022-006830 | 2 - 26 | | |
| P005-000200 | 8 - 15 | P022-006850 | 2 - 21 | | |
| P005-000200 | 9 - 9-15 | P022-008260 | 2 - 27 | | |
| P005-000200 | 9 - 9-15 | P022-008270 | 2 - 25 | | |
| P005-000250 | 8 - 27 | P022-008280 | 2 - 24 | | |
| P005-000270 | 8 - 25 | V000-000040 | 6 - 13 | | |
| P005-000280 | 8 - 9 | V100-000210 | 1 - 13 | | |
| P005-000510 | 8 - 22 | V103-000210 | 3 - 1 | | |
| P005-000510 | 9 - 9-22 | V103-000270 | 3 - 4 | | |
| P005-000510 | 9 - 9-22 | V104-000780 | 3 - 23 | | |
| P005-000520 | 8 - 23 | V104-000790 | 3 - 18 | | |
| P005-000520 | 9 - 9-23 | V135-000030 | 2 - 3 | | |
| P005-000520 | 9 - 9-23 | V150-001760 | 3 - 22 | | |
| P005-001000 | 8 - 18 | V202-000090 | 1 - 35 | | |
| P005-001000 | 9 - 9-18 | V202-000090 | 2 - 33 | | |
| P005-001240 | 8 - 2 | V202-000130 | 2 - 4 | | |
| P005-001250 | 8 - 21 | V203-000120 | 3 - 24 | | |
| P005-001270 | 8 - 6 | V299-000250 | 3 - 12 | | |
| P005-001290 | 8 - 20 | V322-000030 | 2 - 38 | | |
| P005-001660 | 9 - | V322-000031 | 2 - 38 | | |
| P005-001780 | 8 - 16 | V332-000000 | 6 - 31 | | |
| P005-001780 | 9 - 9-16 | V420-000960 | 5 - 13 | | |
| P005-001780 | 9 - 9-16 | V430-001960 | 5 - 8 | | |
| P005-001890 | 8 - 24 | V451-000400 | 2 - 17 | | |
| P005-001900 | 8 - 28 | V452-000120 | 5 - 22 | | |
| P005-001980 | 8 - 3 | V470-000580 | 4 - 11 | | |
| P005-001990 | 9 - | V471-001180 | 4 - 7 | | |
| P005-002010 | 8 - 7 | V475-003380 | 2 - 5 | | |
| P021-002861 | 7 - 14 | V491-000180 | 1 - 36 | | |
| P021-004480 | 3 - 6 | V495-000580 | 5 - 10 | | |
| P021-009771 | 1 - 14 | V495-001010 | 5 - 10 | | |
| P021-010801 | 1 - 21 | V505-000050 | 1 - 40 | | |
| P021-011580 | 3 - 15 | X047-000260 | 6 - 30 | | |
| P021-012210 | 4 - 1 | X502-000330 | 2 - 34 | | |
| P021-012600 | 6 - 1 | X505-002310 | 1 - 3 | | |
| P021-012630 | 5 - 14 | X530-000210 | 1 - 43 | | |
| P021-013530 | 1 - 30 | X547-000700 | 1 - 5 | | |
| P021-013540 | 5 - 3 | X602-000020 | 7 - 12 | | |
| P021-013560 | 5 - 17 | | | | |
| P021-013770 | 7 - 7 | | | | |

YAMABIKO CORPORATION

7-2 SUEHIROCHO 1-CHOME, OHME, TOKYO 198-8760, JAPAN
PHONE: 81-428-32-6118. FAX: 81-428-32-6145.



07Kb
No. 64-062