



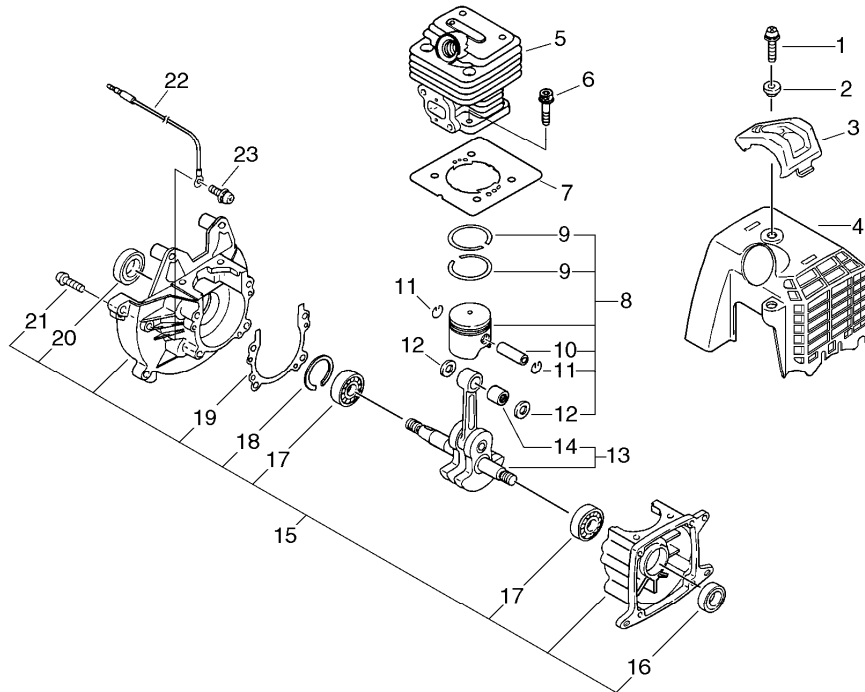
# **PARTS CATALOGUE**

## **GRASS-TRIMMER / BRUSHCUTTER**

### **SRM-240ES/U(37)**

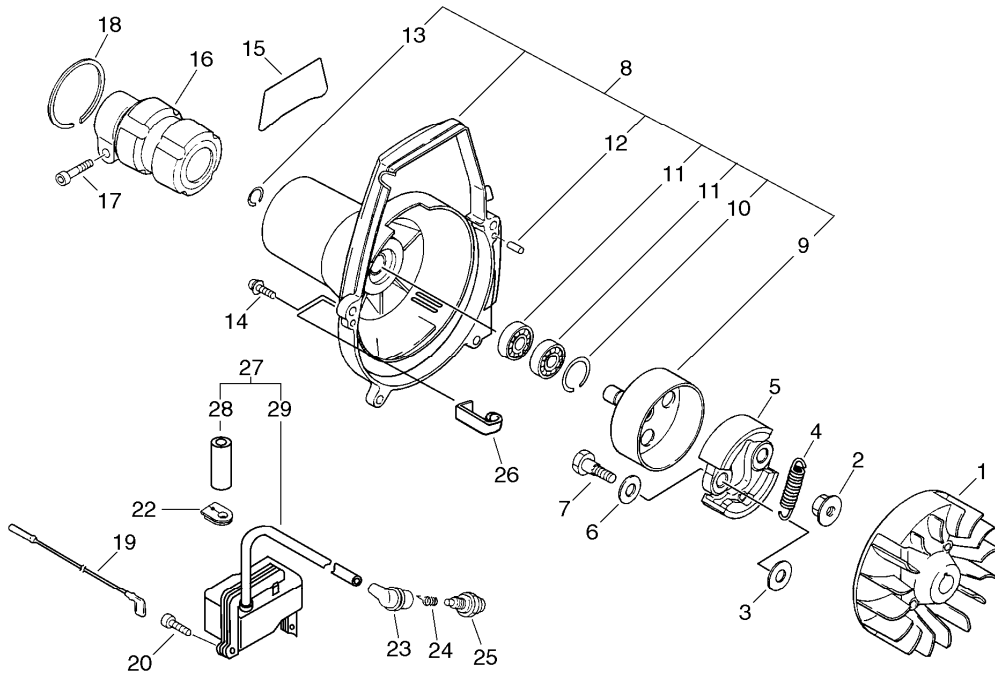
**37000001 -**

# 1. CYLINDER, CRANKCASE, PISTON



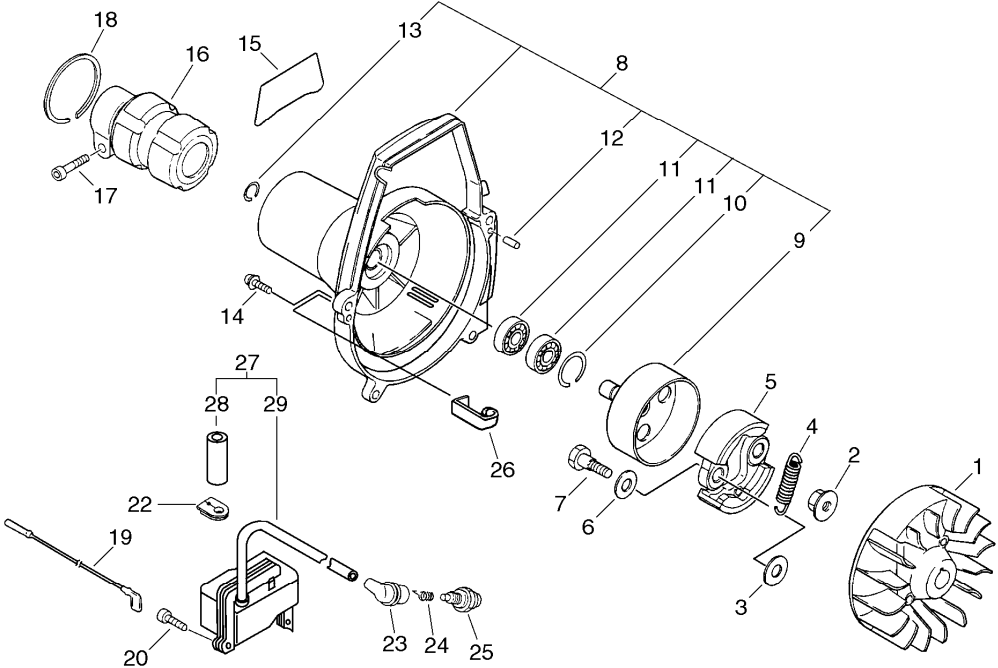
| KEY | LV | PART NUMBER  | Q'TY | DESCRIPTION          | REMARKS      | NOTE1 | NOTE2 |
|-----|----|--------------|------|----------------------|--------------|-------|-------|
| 1   |    | 91121-05016  | 1    | BOLT, FLANGE         | 10.9 SILVER  |       |       |
| 2   |    | V353-000020  | 1    | COLLAR,5             | 12*5.5*4.5L  |       |       |
| 3   |    | A162-000000  | 1    | GUARD, TOP           |              |       |       |
| 4   |    | A160-000060  | 1    | COVER, CYLINDER      |              |       |       |
| 5   |    | A130-000341  | 1    | CYLINDER             |              |       |       |
| 6   |    | 900162-05022 | 4    | BOLT, H.S. 5*22      | 5*22 W,SW    |       |       |
| 7   |    | V100-000060  | 1    | GASKET, CYL          |              |       |       |
| 8   |    | P021-001102  | 1    | PISTON KIT           |              |       |       |
| 9   | +  | A101-000000  | 2    | RING, PISTON         |              |       |       |
| 10  | +  | 100013-11520 | 1    | PIN, PISTON          |              |       |       |
| 11  | +  | 100015-04630 | 2    | CIRCLIP, PISTON PIN  |              |       |       |
| 12  | +  | 100014-11520 | 2    | SPACER, PISTON PIN   |              |       |       |
| 13  |    | A011-000042  | 1    | CRANKSHAFT, ASM      |              |       |       |
| 14  | +  | V553-000010  | 1    | BEARING, NEEDLE 8    | HK0810       |       |       |
| 15  |    | P021-000941  | 1    | CRANKCASE KIT        |              |       |       |
| 16  | +  | 100213-05530 | 1    | OILSEAL              | ISCD 12 22 7 |       |       |
| 17  | +  | 900800-36001 | 2    | BEARING, BALL 6001   | 6001/C3      |       |       |
| 18  | +  | 900702-00028 | 1    | CIRCLIP 28           | CR-28        |       |       |
| 19  | +  | 100242-55930 | 1    | GASKET, CRANKCASE    |              |       |       |
| 20  | +  | 100212-28230 | 1    | OILSEAL ISCD 12*28*7 | ISCD 12*28*7 |       |       |
| 21  | +  | 900162-05025 | 4    | BOLT, H.S. 5*25      | 5*25 W,SW    |       |       |
| 22  |    | 162014-52930 | 1    | LEAD, GROUND         |              |       |       |
| 23  |    | 900242-05010 | 1    | SCREW 5*10           | 5*10         |       |       |

## 2. FAN CASE



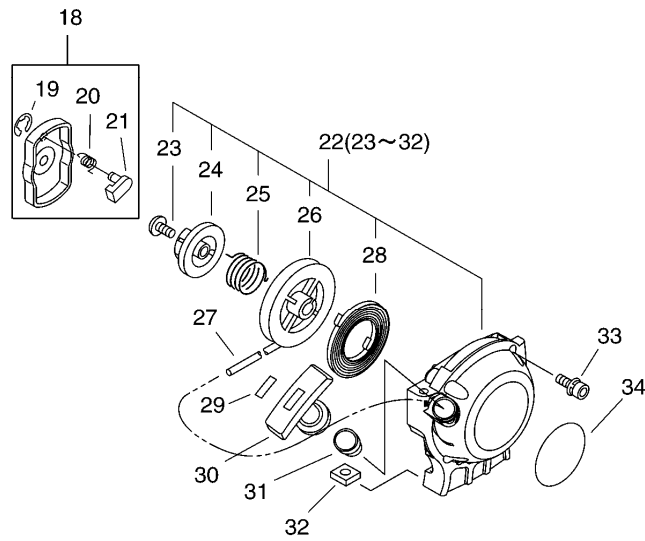
| KEY | LV | PART NUMBER  | Q'TY | DESCRIPTION          | REMARKS    | NOTE1 | NOTE2 |
|-----|----|--------------|------|----------------------|------------|-------|-------|
| 1   |    | A409-000130  | 1    | ROTOR,MAGNETO        |            |       |       |
| 2   |    | 900515-00008 | 1    | NUT, FLANGE 8        | 8          |       |       |
| 3   |    | 175048-05530 | 2    | WASHER (I)           | 6.2*19*1.0 |       |       |
| 4   |    | V451-000400  | 1    | SPRING,TENSION       |            |       |       |
| 5   |    | A553-000010  | 2    | ARM,CLUTCH           |            |       |       |
| 6   |    | 175049-56030 | 2    | WASHER               | 8.5*16*0.5 |       |       |
| 7   |    | 175046-56030 | 2    | SHAFT, CLUTCH        |            |       |       |
| 8   |    | P021-034570  | 1    | COVER ASY, FAN       |            |       |       |
| 9   | +  | A556-000040  | 1    | DRUM,CLUTCH          |            |       |       |
| 10  | +  | 900702-00028 | 1    | CIRCLIP 28           | CR-28      |       |       |
| 11  | +  | 900807-06001 | 2    | BEARING, BALL 6001   | 6001V(LB)  |       |       |
| 12  | +  | 100215-03930 | 2    | PIN, DOWEL           |            |       |       |
| 13  | +  | 900701-00012 | 1    | CIRCLIP 12           | CS-12      |       |       |
| 14  |    | 91118-05018  | 2    | BOLT                 | CM-5*18    |       |       |
| 15  |    | X547-001740  | 1    | LABEL,ECHO           |            |       |       |
| 16  |    | 610922-55931 | 1    | HOLDER, MAIN PIPE    |            |       |       |
| 17  |    | 91118-05028  | 1    | BOLT                 | CM-5*28    |       |       |
| 18  |    | 900702-00042 | 1    | CIRCLIP 42           | CR-42      |       |       |
| 19  |    | 162010-56430 | 1    | LEAD, GROUND         | 145L       |       |       |
| 20  |    | 900162-05016 | 2    | BOLT, H.S. 5*16      | 5*16 W,SW  |       |       |
| 22  |    | 156112-40630 | 1    | GROMMET              |            |       |       |
| 23  |    | 159012-03433 | 1    | CAP, SPARK PLUG      |            |       |       |
| 24  |    | 159011-03432 | 1    | COIL, SPARK PLUG     |            |       |       |
| 25  |    | A425-000000  | 1    | SPARKPLUG            | BPMR8Y     |       |       |
| 26  |    | 178111-06230 | 1    | CLIP                 |            |       |       |
| 27  |    | P021-003910  | 1    | COIL IGNITION(W/PLUG |            |       |       |

2. FAN CASE



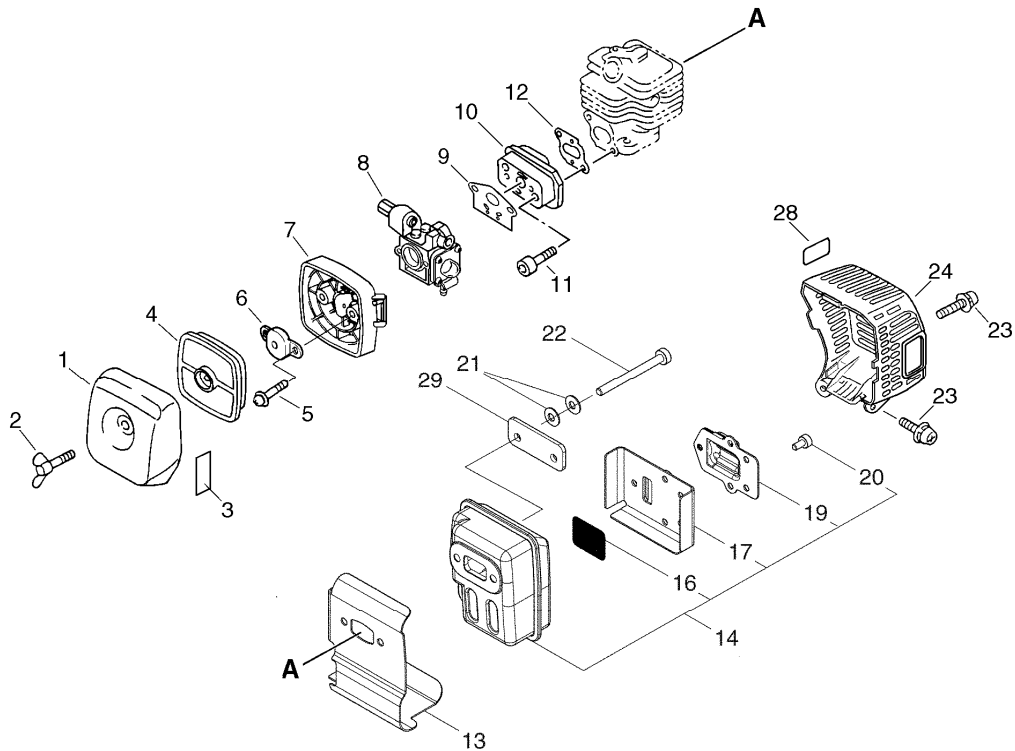
| KEY | LV | PART NUMBER | Q'TY | DESCRIPTION   | REMARKS | NOTE1 | NOTE2 |
|-----|----|-------------|------|---------------|---------|-------|-------|
| 28  | +  | V475-002200 | 1    | TUBE          |         |       |       |
| 29  | +  | A411-000110 | 1    | COIL,IGNITION |         |       |       |

## 3. RECOIL STARTER



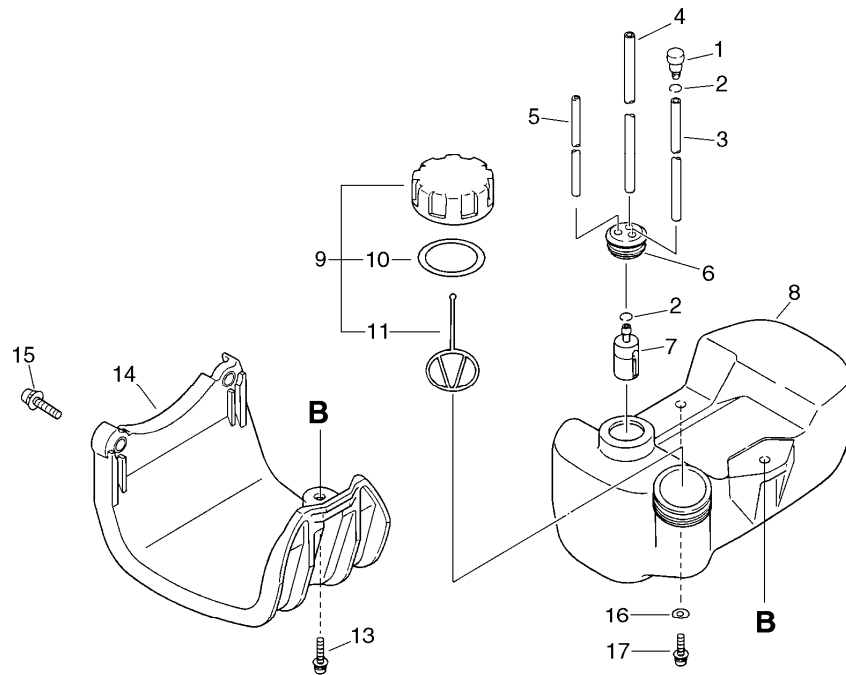
| KEY | LV | PART NUMBER  | Q'TY | DESCRIPTION        | REMARKS | NOTE1 | NOTE2 |
|-----|----|--------------|------|--------------------|---------|-------|-------|
| 18  |    | A052-000180  | 1    | PULLEY,ASM STARTER |         |       |       |
| 19  | +  | P022-002100  | 2    | E-RING             | 4       |       |       |
| 20  | +  | P022-006510  | 2    | SPRING, RETURN     |         |       |       |
| 21  | +  | P022-006850  | 2    | PAWL, STARTER      |         |       |       |
| 22  |    | A051-001000  | 1    | STARTER,RECOIL ASY |         |       |       |
| 23  | +  | 177236-61830 | 1    | SCREW              |         |       |       |
| 24  | +  | P022-008280  | 1    | PLATE, CAM         |         |       |       |
| 25  | +  | P022-008270  | 1    | SPRING,DAMPER      |         |       |       |
| 26  | +  | P022-006830  | 1    | DRUM               |         |       |       |
| 27  | +  | P022-008260  | 1    | ROPE               | 3M/M    |       |       |
| 28  | +  | 177220-42030 | 1    | SPRING, REWIND     |         |       |       |
| 29  | +  | P022-001350  | 1    | STOPPER, ROPE      |         |       |       |
| 30  | +  | 177228-27030 | 1    | GRIP, STARTER      |         |       |       |
| 31  | +  | 177227-42030 | 1    | GUIDE, ROPE        |         |       |       |
| 32  | +  | 900565-00005 | 1    | NUT                | 5       |       |       |
| 33  |    | 91118-04014  | 4    | BOLT               | CM-4*14 |       |       |
| 34  |    | X502-000330  | 1    | LABEL,ECHO         | ECHO    |       |       |

## 4. AIR CLEANER, MUFFLER



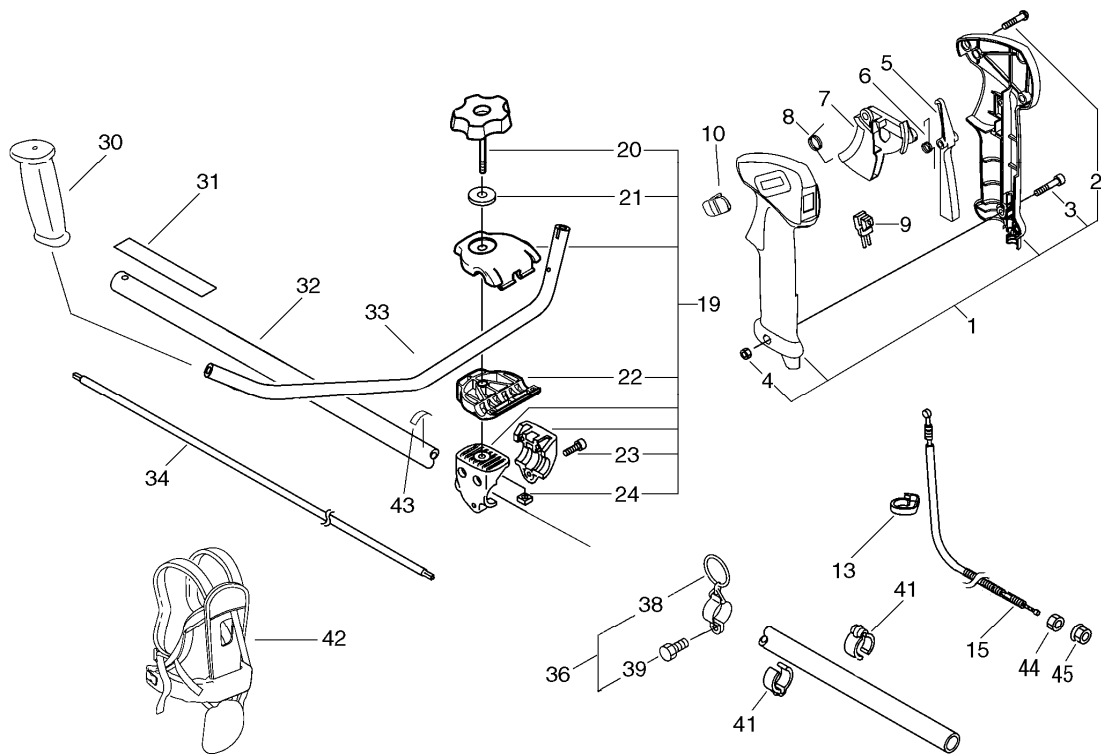
| KEY | LV | PART NUMBER  | Q'TY | DESCRIPTION          | REMARKS      | NOTE1 | NOTE2 |
|-----|----|--------------|------|----------------------|--------------|-------|-------|
| 1   |    | 130313-05863 | 1    | LID, AIR CLEANER     |              |       |       |
| 2   |    | 210417-52730 | 1    | BOLT, WING           | 5*20         |       |       |
| 3   |    | 890332-52730 | 1    | LABEL, CHOKE         |              |       |       |
| 4   |    | 130310-54130 | 1    | FILTER, AIR          |              |       |       |
| 5   |    | 900242-05060 | 2    | SCREW 5*60           | 5*60         |       |       |
| 6   |    | 129011-52730 | 1    | PLATE, PREVENT       |              |       |       |
| 7   |    | P021-034600  | 1    | CASE, AIR CLEANER    |              |       |       |
| 8   |    | A021-003220  | 1    | CARBURETOR,DIAPHRAGM |              |       |       |
| 9   |    | 130010-13410 | 1    | GASKET, INTAKE       |              |       |       |
| 10  |    | 130017-56431 | 1    | INSULATOR            |              |       |       |
| 11  |    | 900162-05025 | 2    | BOLT, H.S. 5*25      | 5*25 W,SW    |       |       |
| 12  |    | 130010-55930 | 1    | GASKET, INTAKE       |              |       |       |
| 13  |    | V104-000061  | 1    | GASKET,EXHAUST       |              |       |       |
| 14  |    | P021-002164  | 1    | MUFFLER ASY          |              |       |       |
| 16  | +  | 145862-40630 | 1    | SCREEN, MUFFLER      |              |       |       |
| 17  | +  | V104-000360  | 1    | GASKET,EXHAUST       |              |       |       |
| 19  | +  | A313-000130  | 1    | GUIDE,EXH            |              |       |       |
| 20  | +  | 91367-04010  | 5    | SCREW                | 4*10/SW(SUS) |       |       |
| 21  |    | V347-000000  | 4    | WASHER,CONICAL       |              |       |       |
| 22  |    | 900105-05055 | 2    | BOLT, H.S. 5*55      | 5*55         |       |       |
| 23  |    | 91121-05012  | 2    | BOLT, FLANGE         | 10.9 SILVER  |       |       |
| 24  |    | A320-000003  | 1    | COVER,MUFFLER        |              |       |       |
| 28  |    | X505-002310  | 1    | LABEL,CAUTION        | HOT CAUTION  |       |       |
| 29  |    | V150-000371  | 1    | PLATE,EYE            |              |       |       |

## 5. FUEL TANK



| KEY | LV | PART NUMBER  | Q'TY | DESCRIPTION      | REMARKS     | NOTE1 | NOTE2 |
|-----|----|--------------|------|------------------|-------------|-------|-------|
| 1   |    | A356-000030  | 1    | VALVE,CHECK      |             |       |       |
| 2   |    | 132013-26630 | 2    | CLIP             | 6.5MM       |       |       |
| 3   |    | V471-000110  | 1    | PIPE             | 3*6*115     |       |       |
| 4   |    | 132010-52030 | 1    | PIPE             | 3*6*170 NBR |       |       |
| 5   |    | 132012-56030 | 1    | PIPE             | 3*6*80 YL   |       |       |
| 6   |    | 132115-55930 | 1    | GROMMET, FUEL    |             |       |       |
| 7   |    | 131205-19831 | 1    | STRAINER, FUEL   |             |       |       |
| 8   |    | 131005-55932 | 1    | TANK, FUEL       |             |       |       |
| 9   |    | P021-012210  | 1    | CAP, FUEL ASY    |             |       |       |
| 10  | +  | 131016-55830 | 1    | GASKET, FUEL CAP |             |       |       |
| 11  | +  | A365-000060  | 1    | CONNECTOR,CAP    | L=123       |       |       |
| 13  |    | 91118-05020  | 1    | BOLT             | CM-5*20     |       |       |
| 14  |    | 305110-57733 | 1    | STAND            |             |       |       |
| 15  |    | 91118-05022  | 2    | BOLT             | CM-5*22     |       |       |
| 16  |    | 900603-00005 | 2    | WASHER 5         | 5.5*12*0.8  |       |       |
| 17  |    | 91118-05016  | 2    | BOLT             | CM-5*16     |       |       |

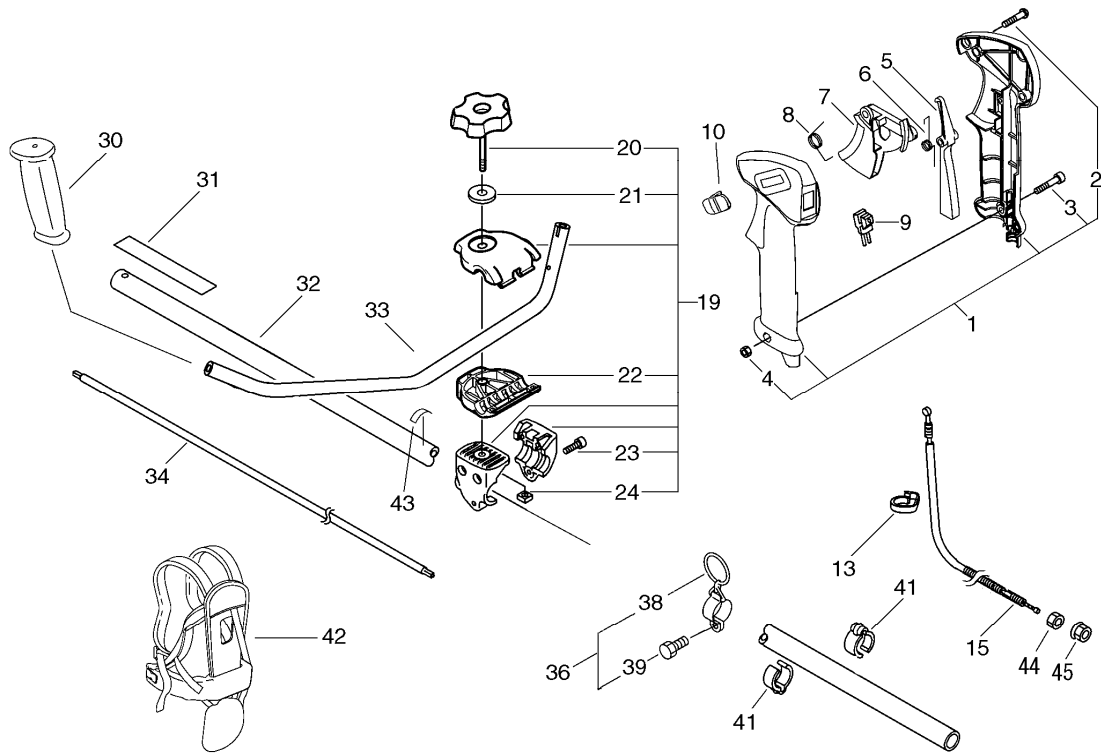
## 6. U-HANDLE



| KEY | LV | PART NUMBER  | Q'TY | DESCRIPTION        | REMARKS       | NOTE1 | NOTE2 |
|-----|----|--------------|------|--------------------|---------------|-------|-------|
| 1   |    | P021-014090  | 1    | GRIP ASY,F-HANDLE  |               |       |       |
| 2   | +  | 900256-04016 | 3    | SCREW 4*16         | 4*16          |       |       |
| 3   | +  | 91119-05030  | 1    | BOLT               |               |       |       |
| 4   | +  | 900500-00005 | 1    | NUT 5              | 5             |       |       |
| 5   |    | C460-000111  | 1    | LOCKOUT, THROTTLE  | 70MM          |       |       |
| 6   |    | V452-000350  | 1    | SPRING,TORSION     |               |       |       |
| 7   |    | C450-000270  | 1    | CONTROL, THROTTLE  |               |       |       |
| 8   |    | V452-000360  | 1    | SPRING,TORSION     |               |       |       |
| 9   |    | A440-001031  | 1    | SWITCH, ON OFF     | CA-104 CB-104 |       |       |
| 10  |    | C463-000020  | 1    | KNOB, LATCH        |               |       |       |
| 13  |    | 159112-09961 | 1    | CLIP               |               |       |       |
| 15  |    | V430-002310  | 1    | CABLE,BOWDEN       | 870+86        |       |       |
| 19  |    | P021-012821  | 1    | FIXTURE,ASY HANDLE | SRM-2655SI    |       |       |
| 20  | +  | V299-000110  | 1    | KNOB,FASTENER      |               |       |       |
| 21  | +  | 605014-54230 | 1    | WASHER             |               |       |       |
| 22  | +  | C423-000042  | 1    | FIXTURE,HANDLE     |               |       |       |
| 23  | +  | 91118-05030  | 3    | BOLT               |               |       |       |
| 24  | +  | 900565-50008 | 1    | NUT                | 8*1.25        |       |       |
| 30  |    | C403-000031  | 1    | GRIP,HANDLE        |               |       |       |
| 31  |    | 890617-43130 | 1    | LABEL,CAUTION      |               |       |       |
| 32  |    | C050-000320  | 1    | PIPE,MAIN          |               |       |       |
| 33  |    | C400-000211  | 1    | HANDLE,FRONT       |               |       |       |
| 34  |    | C504-000050  | 1    | SHAFT,DRIVE        | 7*1540        |       |       |
| 36  |    | P021-013580  | 1    | RING, HARNESS KIT  |               |       |       |
| 38  | +  | 301205-21330 | 1    | HOOK               |               |       |       |

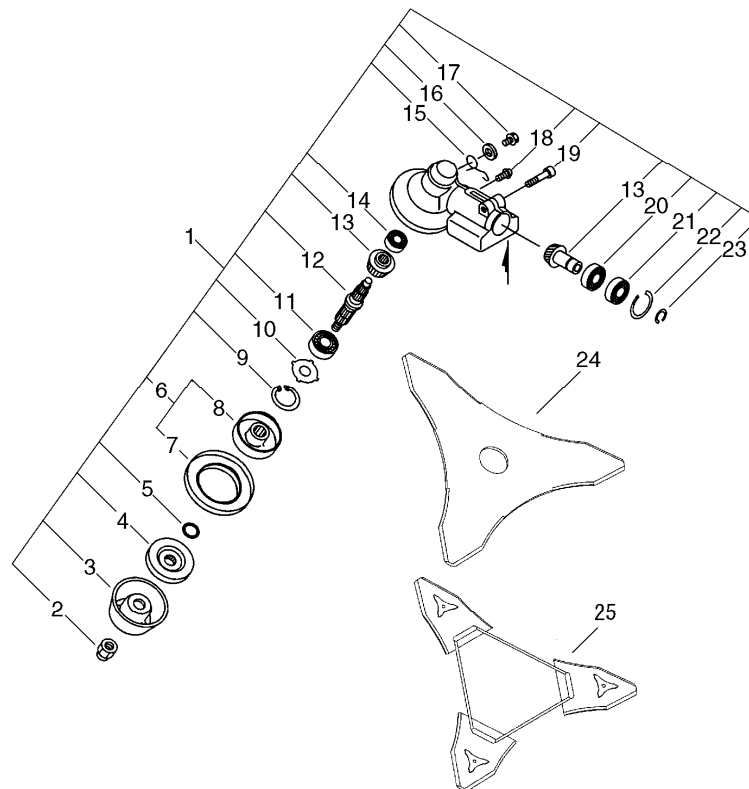


6. U-HANDLE



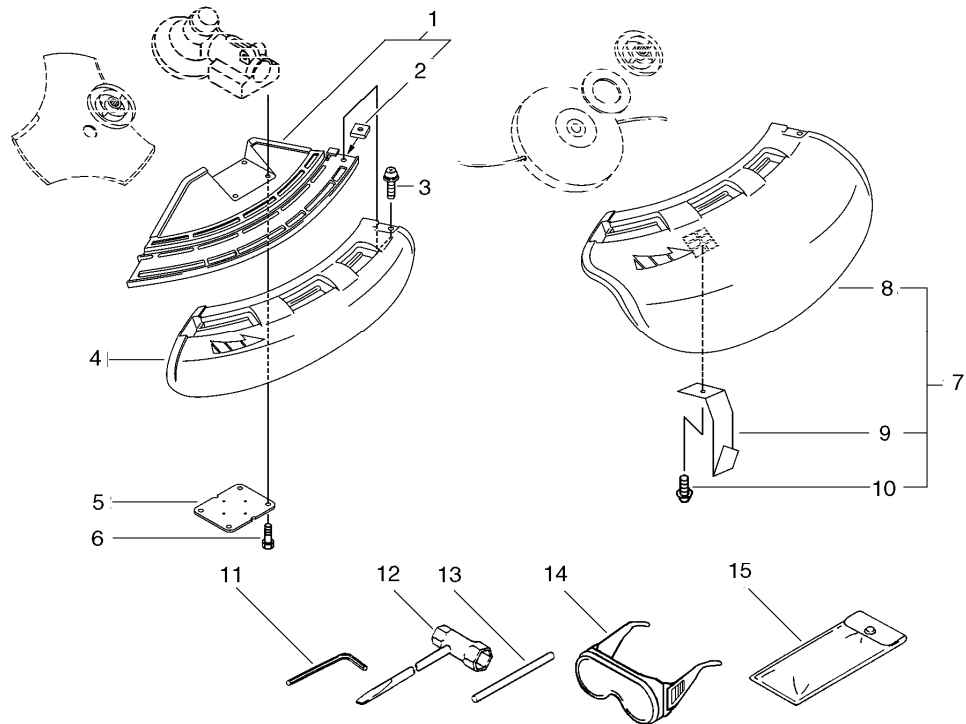
| KEY | LV | PART NUMBER  | Q'TY | DESCRIPTION    | REMARKS     | NOTE1 | NOTE2 |
|-----|----|--------------|------|----------------|-------------|-------|-------|
| 39  | +  | 91121-05012  | 1    | BOLT, FLANGE   | 10.9 SILVER |       |       |
| 41  |    | 224924-52130 | 2    | CLIP           | 25MM        |       |       |
| 43  |    | 890152-04930 | 1    | LABEL, CAUTION |             |       |       |
| 44  |    | 900502-00006 | 1    | NUT 6 (3N)     | 3N6         |       |       |
| 45  |    | 900518-00006 | 1    | NUT, FLANGE    | 6           |       |       |

## 7. GEAR CASE



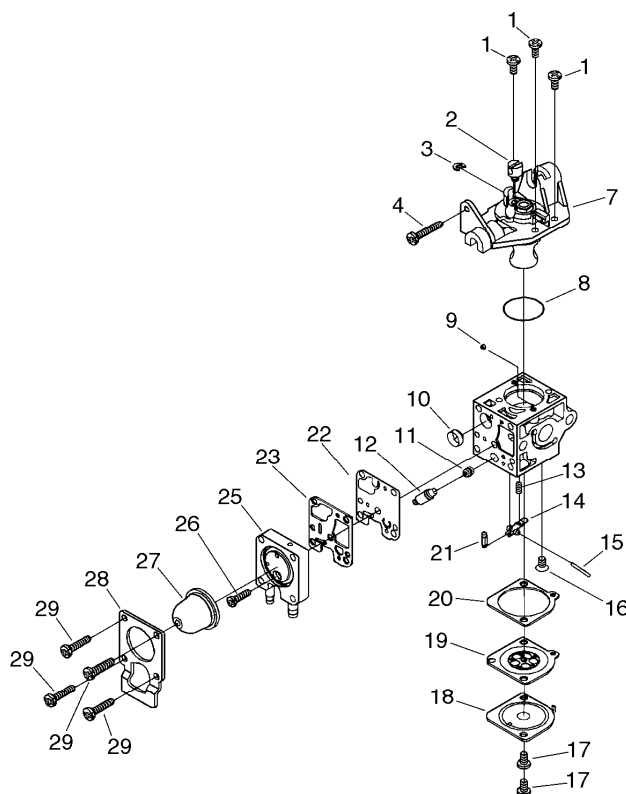
| KEY | LV | PART NUMBER  | Q'TY | DESCRIPTION         | REMARKS          | NOTE1 | NOTE2 |
|-----|----|--------------|------|---------------------|------------------|-------|-------|
| 1   |    | P021-012602  | 1    | CASE,GEAR           |                  |       |       |
| 2   | +  | 610320-52130 | 1    | NUT 10              |                  |       |       |
| 3   | +  | 699229-56830 | 1    | PLATE, COVER        |                  |       |       |
| 4   | +  | 610314-52130 | 1    | PLATE, ADAPTER (L)  |                  |       |       |
| 5   | +  | 900720-00012 | 1    | O-RING 12           | P-12             |       |       |
| 6   | +  | C535-000001  | 1    | FIXTURE,BLADE       |                  |       |       |
| 7   | ++ | 610352-56830 | 1    | PLATE, CUP          |                  |       |       |
| 8   | ++ | C535-000011  | 1    | FIXTURE,BLADE       |                  |       |       |
| 9   | +  | 900702-00032 | 1    | CIRCLIP 32          | CR-32            |       |       |
| 10  | +  | 610444-56830 | 1    | WASHER              |                  |       |       |
| 11  | +  | 900812-06201 | 1    | BEARING, BALL 6201  | 6201DDU(LLU)     |       |       |
| 12  | +  | 610310-56831 | 1    | SHAFT, P.T.O.       |                  |       |       |
| 13  | +  | V000-000040  | 1    | GEAR SET, BEVEL     |                  |       |       |
| 14  | +  | 900810-00626 | 1    | BEARING, BALL 626   | 626              |       |       |
| 15  | +  | 610473-52131 | 1    | SPRING              |                  |       |       |
| 16  | +  | 900603-50008 | 1    | WASHER              | 8.5*18*0.8T      |       |       |
| 17  | +  | 610434-50031 | 1    | BOLT 8* 8           | M8*8             |       |       |
| 18  | +  | 900242-05010 | 1    | SCREW 5*10          | 5*10             |       |       |
| 19  | +  | 91118-06025  | 1    | BOLT                |                  |       |       |
| 20  | +  | 900855-06900 | 1    | BEARING, BALL 6900  | 6900             |       |       |
| 21  | +  | 900858-06900 | 1    | BEARING, BALL 6900Z | 6900Z            |       |       |
| 22  | +  | 900702-00022 | 1    | CIRCLIP 22          | CR-22            |       |       |
| 23  | +  | 900706-00010 | 1    | CIRCLIP 10          | WR-10            |       |       |
| 24  |    | P021-014310  | 1    | SAW,BUSH CUTTER     | 230*T3.0         |       |       |
| 25  |    | X495-000280  | 1    | SCABBARD,BLADE      | 9", 10" 3 CUTTER |       |       |

## 8. SHIELD



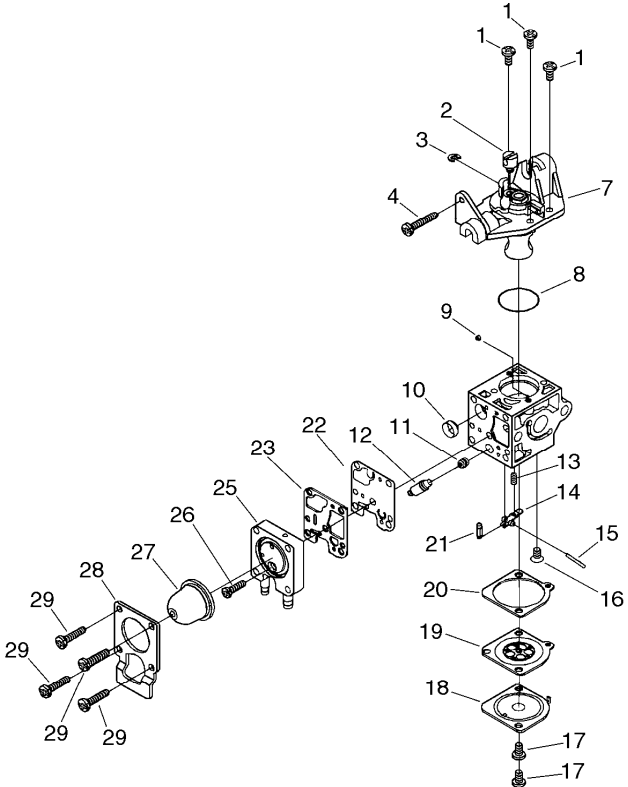
| KEY | LV | PART NUMBER  | Q'TY | DESCRIPTION    | REMARKS       | NOTE1 | NOTE2 |
|-----|----|--------------|------|----------------|---------------|-------|-------|
| 1   |    | C550-000100  | 1    | SHIELD,BLADE   |               |       |       |
| 2   | +  | 900565-00005 | 1    | NUT            | 5             |       |       |
| 3   |    | 91118-05018  | 1    | BOLT           | CM-5*18       |       |       |
| 4   |    | C550-000090  | 1    | SHIELD,BLADE   |               |       |       |
| 5   |    | 699013-56830 | 1    | PLATE, SHIELD  |               |       |       |
| 6   |    | 91118-05025  | 4    | BOLT           | CM-5*25       |       |       |
| 7   |    | P021-013770  | 1    | SHIELD KIT     |               |       |       |
| 8   | +  | C550-000080  | 1    | SHIELD,BLADE   |               |       |       |
| 9   | +  | C554-000030  | 1    | KNIFE, CORD    | 17INCH        |       |       |
| 10  | +  | 900252-05012 | 1    | SCREW 5*12     | 5*12          |       |       |
| 11  |    | 895610-00130 | 1    | L-WRENCH (4MM) |               |       |       |
| 12  |    | X602-000020  | 1    | TOOL,WRENCH    | 17*19 L200    |       |       |
| 13  |    | X606-000080  | 1    | TOOL,BAR       | 5*120         |       |       |
| 14  |    | X690-000050  | 1    | GOGGLE         | GOGGLE + NOTE |       |       |
| 15  |    | 898510-39130 | 1    | BAG, TOOL      |               |       |       |

## 9. CARBURETOR



| KEY | LV | PART NUMBER  | Q'TY | DESCRIPTION          | REMARKS | NOTE1 | NOTE2 |
|-----|----|--------------|------|----------------------|---------|-------|-------|
|     |    | A021-003220  | 1    | CARBURETOR,DIAPHRAGM |         |       |       |
| 1   | +  | 125344-13931 | 3    | SCREW                |         |       |       |
| 2   | +  | P005-001240  | 1    | POST                 |         |       |       |
| 3   | +  | P005-000190  | 1    | E-RING               |         |       |       |
| 4   | +  | P005-000100  | 1    | SCREW,THROTTLEADJUST |         |       |       |
| 7   | +  | P005-002050  | 1    | COVER ASY, ROTOR     |         |       |       |
| 8   | +  | P005-000280  | 1    | O-RING               |         |       |       |
| 9   | +  | P005-001000  | 1    | ROLLER, GUIDE        |         |       |       |
| 10  | +  | P005-000010  | 1    | STRAINER             |         |       |       |
| 11  | +  | P005-001260  | 1    | SCREW,MAINN MIXTURE  |         |       |       |
| 12  | +  | P005-001250  | 1    | RETAINER,PLUG BALL   |         |       |       |
| 13  | +  | P005-000940  | 1    | SPRING, METER. LEVER |         |       |       |
| 14  | +  | 125323-08260 | 1    | ARM, VALVE           |         |       |       |
| 15  | +  | 125338-13930 | 1    | PIN, METERING ARM    |         |       |       |
| 16  | +  | 125339-42030 | 1    | SCREW                |         |       |       |
| 17  | +  | 125344-52130 | 3    | SCREW                |         |       |       |
| 18  | +  | 125342-52130 | 1    | COVER, DIAPHRAGM     |         |       |       |
| 19  | +  | P005-001780  | 1    | DIAPHRAGM            |         |       |       |
| 20  | +  | P005-000200  | 1    | GASKET, METERING     |         |       |       |
| 21  | +  | 125337-08260 | 1    | VALVE, INLET NEEDLE  |         |       |       |
| 22  | +  | P005-000510  | 1    | DIAPHRAGM, PUMP      |         |       |       |
| 23  | +  | P005-000520  | 1    | GASKET, PUMP         |         |       |       |
| 25  | +  | P005-001890  | 1    | BASE, ASY PRIMER     |         |       |       |
| 26  | +  | P005-000270  | 1    | SCREW                |         |       |       |
| 27  | +  | 125381-46730 | 1    | PUMP, PRIMING        |         |       |       |
| 28  | +  | P005-000250  | 1    | RETAINER             |         |       |       |

9. CARBURETOR



| KEY | LV | PART NUMBER | Q'TY | DESCRIPTION | REMARKS | NOTE1 | NOTE2 |
|-----|----|-------------|------|-------------|---------|-------|-------|
| 29  | +  | P005-001900 | 4    | SCREW       |         |       |       |

**Index**

| <b>Patrs Number</b> | <b>Key No.</b> | <b>Patrs Number</b> | <b>Key No.</b> | <b>Patrs Number</b> | <b>Key No.</b> |
|---------------------|----------------|---------------------|----------------|---------------------|----------------|
| 100013-11520        | 1 - 10         | 610314-52130        | 7 - 4          | 91118-05018         | 2 - 14         |
| 100014-11520        | 1 - 12         | 610320-52130        | 7 - 2          | 91118-05018         | 8 - 3          |
| 100015-04630        | 1 - 11         | 610352-56830        | 7 - 7          | 91118-05020         | 5 - 13         |
| 100212-28230        | 1 - 20         | 610434-50031        | 7 - 17         | 91118-05022         | 5 - 15         |
| 100213-05530        | 1 - 16         | 610444-56830        | 7 - 10         | 91118-05025         | 8 - 6          |
| 100215-03930        | 2 - 12         | 610473-52131        | 7 - 15         | 91118-05028         | 2 - 17         |
| 100242-55930        | 1 - 19         | 610922-55931        | 2 - 16         | 91118-05030         | 6 - 23         |
| 125323-08260        | 9 - 14         | 699013-56830        | 8 - 5          | 91118-06025         | 7 - 19         |
| 125337-08260        | 9 - 21         | 699229-56830        | 7 - 3          | 91119-05030         | 6 - 3          |
| 125338-13930        | 9 - 15         | 890152-04930        | 6 - 43         | 91121-05012         | 4 - 23         |
| 125339-42030        | 9 - 16         | 890332-52730        | 4 - 3          | 91121-05012         | 6 - 39         |
| 125342-52130        | 9 - 18         | 890617-43130        | 6 - 31         | 91121-05016         | 1 - 1          |
| 125344-13931        | 9 - 1          | 895610-00130        | 8 - 11         | 91367-04010         | 4 - 20         |
| 125344-52130        | 9 - 17         | 898510-39130        | 8 - 15         | A011-000042         | 1 - 13         |
| 125381-46730        | 9 - 27         | 900105-05055        | 4 - 22         | A021-003220         | 4 - 8          |
| 129011-52730        | 4 - 6          | 900162-05016        | 2 - 20         | A021-003220         | 9 -            |
| 130010-13410        | 4 - 9          | 900162-05022        | 1 - 6          | A051-001000         | 3 - 22         |
| 130010-55930        | 4 - 12         | 900162-05025        | 1 - 21         | A052-000180         | 3 - 18         |
| 130017-56431        | 4 - 10         | 900162-05025        | 4 - 11         | A101-000000         | 1 - 9          |
| 130310-54130        | 4 - 4          | 900242-05010        | 1 - 23         | A130-000341         | 1 - 5          |
| 130313-05863        | 4 - 1          | 900242-05010        | 7 - 18         | A160-000060         | 1 - 4          |
| 131005-55932        | 5 - 8          | 900242-05060        | 4 - 5          | A162-000000         | 1 - 3          |
| 131016-55830        | 5 - 10         | 900252-05012        | 8 - 10         | A313-000130         | 4 - 19         |
| 131205-19831        | 5 - 7          | 900256-04016        | 6 - 2          | A320-000003         | 4 - 24         |
| 132010-52030        | 5 - 4          | 900500-00005        | 6 - 4          | A356-000030         | 5 - 1          |
| 132012-56030        | 5 - 5          | 900502-00006        | 6 - 44         | A365-000060         | 5 - 11         |
| 132013-26630        | 5 - 2          | 900515-00008        | 2 - 2          | A409-000130         | 2 - 1          |
| 132115-55930        | 5 - 6          | 900518-00006        | 6 - 45         | A411-000110         | 2 - 29         |
| 145862-40630        | 4 - 16         | 900565-00005        | 3 - 32         | A425-000000         | 2 - 25         |
| 156112-40630        | 2 - 22         | 900565-00005        | 8 - 2          | A440-001031         | 6 - 9          |
| 159011-03432        | 2 - 24         | 900565-50008        | 6 - 24         | A553-000010         | 2 - 5          |
| 159012-03433        | 2 - 23         | 900603-00005        | 5 - 16         | A556-000040         | 2 - 9          |
| 159112-09961        | 6 - 13         | 900603-50008        | 7 - 16         | C050-000320         | 6 - 32         |
| 162010-56430        | 2 - 19         | 900701-00012        | 2 - 13         | C400-000211         | 6 - 33         |
| 162014-52930        | 1 - 22         | 900702-00022        | 7 - 22         | C403-000031         | 6 - 30         |
| 175046-56030        | 2 - 7          | 900702-00028        | 1 - 18         | C423-000042         | 6 - 22         |
| 175048-05530        | 2 - 3          | 900702-00028        | 2 - 10         | C450-000270         | 6 - 7          |
| 175049-56030        | 2 - 6          | 900702-00032        | 7 - 9          | C460-000111         | 6 - 5          |
| 177220-42030        | 3 - 28         | 900702-00042        | 2 - 18         | C463-000020         | 6 - 10         |
| 177227-42030        | 3 - 31         | 900706-00010        | 7 - 23         | C504-000050         | 6 - 34         |
| 177228-27030        | 3 - 30         | 900720-00012        | 7 - 5          | C535-000001         | 7 - 6          |
| 177236-61830        | 3 - 23         | 900800-36001        | 1 - 17         | C535-000011         | 7 - 8          |
| 178111-06230        | 2 - 26         | 900807-06001        | 2 - 11         | C550-000080         | 8 - 8          |
| 210417-52730        | 4 - 2          | 900810-00626        | 7 - 14         | C550-000090         | 8 - 4          |
| 224924-52130        | 6 - 41         | 900812-06201        | 7 - 11         | C550-000100         | 8 - 1          |
| 301205-21330        | 6 - 38         | 900855-06900        | 7 - 20         | C554-000030         | 8 - 9          |
| 305110-57733        | 5 - 14         | 900858-06900        | 7 - 21         | P005-000010         | 9 - 10         |
| 605014-54230        | 6 - 21         | 91118-04014         | 3 - 33         | P005-000100         | 9 - 4          |
| 610310-56831        | 7 - 12         | 91118-05016         | 5 - 17         | P005-000190         | 9 - 3          |

**Index**

| <b>Patrs Number</b> | <b>Key No.</b> | <b>Patrs Number</b> | <b>Key No.</b> | <b>Patrs Number</b> | <b>Key No.</b> |
|---------------------|----------------|---------------------|----------------|---------------------|----------------|
| P005-000200         | 9 - 20         | V475-002200         | 2 - 28         |                     |                |
| P005-000250         | 9 - 28         | V553-000010         | 1 - 14         |                     |                |
| P005-000270         | 9 - 26         | X495-000280         | 7 - 25         |                     |                |
| P005-000280         | 9 - 8          | X502-000330         | 3 - 34         |                     |                |
| P005-000510         | 9 - 22         | X505-002310         | 4 - 28         |                     |                |
| P005-000520         | 9 - 23         | X547-001740         | 2 - 15         |                     |                |
| P005-000940         | 9 - 13         | X602-000020         | 8 - 12         |                     |                |
| P005-001000         | 9 - 9          | X606-000080         | 8 - 13         |                     |                |
| P005-001240         | 9 - 2          | X690-000050         | 8 - 14         |                     |                |
| P005-001250         | 9 - 12         |                     |                |                     |                |
| P005-001260         | 9 - 11         |                     |                |                     |                |
| P005-001780         | 9 - 19         |                     |                |                     |                |
| P005-001890         | 9 - 25         |                     |                |                     |                |
| P005-001900         | 9 - 29         |                     |                |                     |                |
| P005-002050         | 9 - 7          |                     |                |                     |                |
| P021-000941         | 1 - 15         |                     |                |                     |                |
| P021-001102         | 1 - 8          |                     |                |                     |                |
| P021-002164         | 4 - 14         |                     |                |                     |                |
| P021-003910         | 2 - 27         |                     |                |                     |                |
| P021-012210         | 5 - 9          |                     |                |                     |                |
| P021-012602         | 7 - 1          |                     |                |                     |                |
| P021-012821         | 6 - 19         |                     |                |                     |                |
| P021-013580         | 6 - 36         |                     |                |                     |                |
| P021-013770         | 8 - 7          |                     |                |                     |                |
| P021-014090         | 6 - 1          |                     |                |                     |                |
| P021-014310         | 7 - 24         |                     |                |                     |                |
| P021-034570         | 2 - 8          |                     |                |                     |                |
| P021-034600         | 4 - 7          |                     |                |                     |                |
| P022-001350         | 3 - 29         |                     |                |                     |                |
| P022-002100         | 3 - 19         |                     |                |                     |                |
| P022-006510         | 3 - 20         |                     |                |                     |                |
| P022-006830         | 3 - 26         |                     |                |                     |                |
| P022-006850         | 3 - 21         |                     |                |                     |                |
| P022-008260         | 3 - 27         |                     |                |                     |                |
| P022-008270         | 3 - 25         |                     |                |                     |                |
| P022-008280         | 3 - 24         |                     |                |                     |                |
| V000-000040         | 7 - 13         |                     |                |                     |                |
| V100-000060         | 1 - 7          |                     |                |                     |                |
| V104-000061         | 4 - 13         |                     |                |                     |                |
| V104-000360         | 4 - 17         |                     |                |                     |                |
| V150-000371         | 4 - 29         |                     |                |                     |                |
| V299-000110         | 6 - 20         |                     |                |                     |                |
| V347-000000         | 4 - 21         |                     |                |                     |                |
| V353-000020         | 1 - 2          |                     |                |                     |                |
| V430-002310         | 6 - 15         |                     |                |                     |                |
| V451-000400         | 2 - 4          |                     |                |                     |                |
| V452-000350         | 6 - 6          |                     |                |                     |                |
| V452-000360         | 6 - 8          |                     |                |                     |                |
| V471-000110         | 5 - 3          |                     |                |                     |                |

# YAMABIKO CORPORATION

7-2 SUEHIROCHO 1-CHOME, OHME, TOKYO 198-8760, JAPAN  
PHONE: 81-428-32-6118. FAX: 81-428-32-6145.



10lb  
No. 67-106