



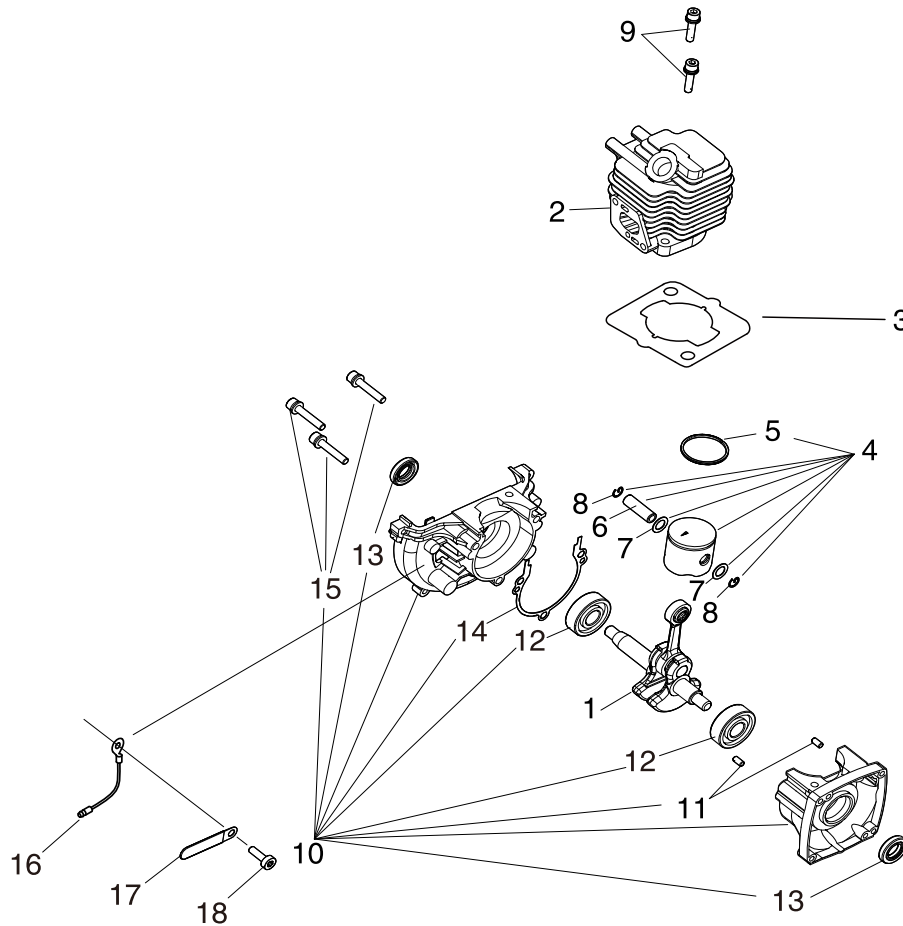
PARTS CATALOGUE

GRASS-TRIMMER / BRUSHCUTTER

SRM-236ES/U(37)

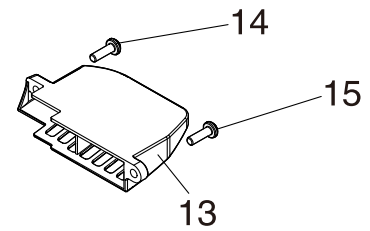
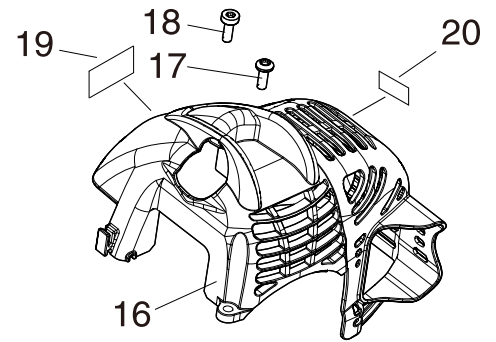
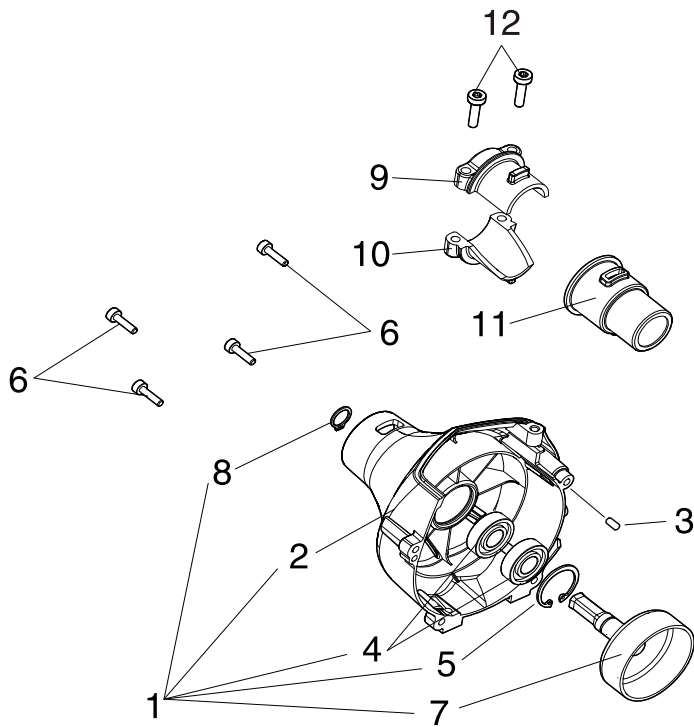
37000001 -

1. CYLINDER, CRANKCASE, PISTON



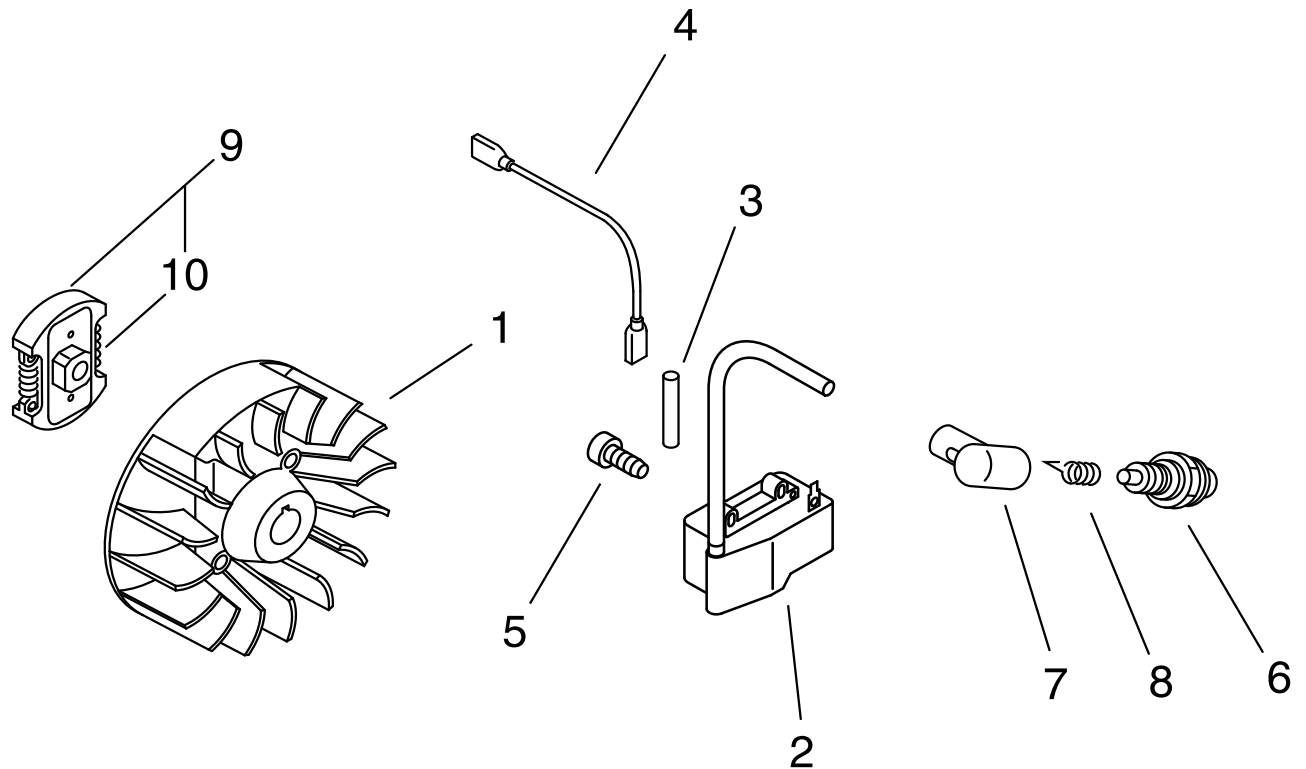
KEY	LV	PART NUMBER	Q'TY	DESCRIPTION	REMARKS	NOTE1	NOTE2
1		A011-000101	1	CRANKSHAFT,ASM			
2		A130-002100	1	CYLINDER			
3		101010-44332	1	GASKET, CYL. BASE			
4		P021-007712	1	PISTON KIT			
5	+	A101-000090	1	RING,PISTON			
6	+	100013-11520	1	PIN, PISTON			
7	+	100014-11520	2	SPACER, PISTON PIN			
8	+	100015-04630	2	CIRCLIP, PISTON PIN			
9		900162-05022	2	BOLT, H.S. 5*22	5*22 W,SW		
10		100204-52133	1	CRANKCASE KIT			
11	+	100215-03930	2	PIN, DOWEL			
12	+	94035-36201	2	BEARING BALL	6201X3JR2C3		
13	+	100212-42031	2	OILSEAL	ISCD 12*22*4.5		
14	+	100242-42030	1	GASKET, CRANKCASE			
15	+	900162-05028	3	BOLT, H.S. 5*28	5*28 W,SW		
16		156635-43130	1	LEAD, GROUND			
17		159116-21231	1	CLAMP			
18		V805-000130	1	BOLT, TORX 5	TB-5*10 10.9		

2. FANCOVER, CYLINDER COVER



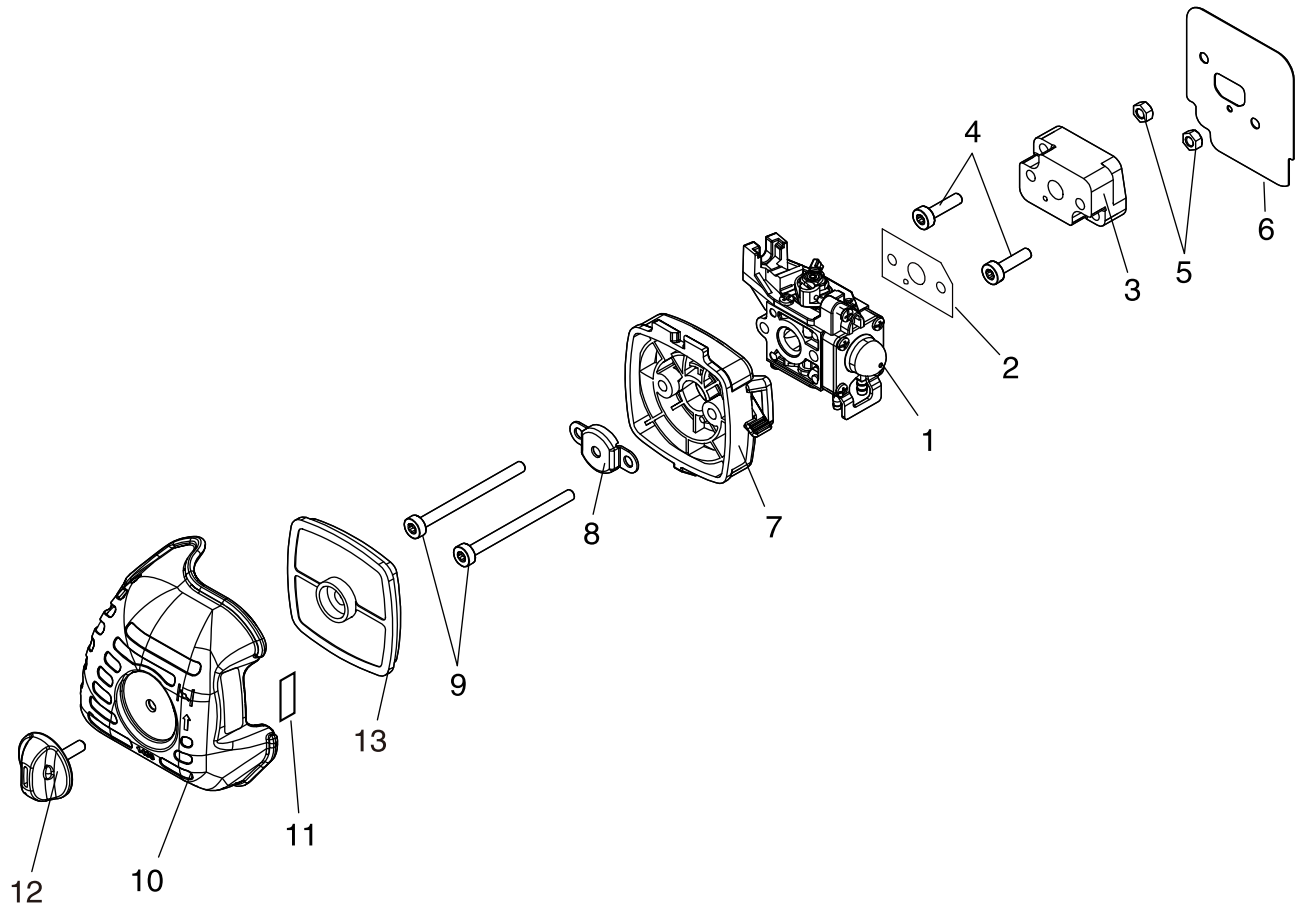
KEY	LV	PART NUMBER	Q'TY	DESCRIPTION	REMARKS	NOTE1	NOTE2
1		P021-016170	1	COVER,FAN ASSY			
2	+	A172-000860	1	COVER,FAN			
3	+	100215-03930	2	PIN, DOWEL			
4	+	900807-06001	2	BEARING, BALL 6001	6001V(LB)		
5	+	900702-00028	1	CIRCLIP 28	CR-28		
7	+	A556-000530	1	DRUM, CLUTCH			
8	+	900701-00012	1	CIRCLIP 12	CS-12		
6		V804-000060	4	BOLT, TORX 4	TB-4*16 10.9		
9		610922-27432	1	HOLDER			
10		610923-55230	1	HOLDER			
11		610910-55230	1	CUSHION			
12		V805-000160	2	BOLT, TORX 5	TB-5*20 10.9		
13		A320-000480	1	COVER,MUFFLER			
14		V805-000000	1	BOLT, TORX 5	TT-5*16 DG 10.9		
15		V805-000150	1	BOLT, TORX 5	TB-5*16 10.9		
16		A160-001090	1	COVER,CYLINDER			
17		V805-000000	1	BOLT, TORX 5	TT-5*16 DG 10.9		
18		V805-000150	1	BOLT, TORX 5	TB-5*16 10.9		
19		X547-002330	1	LABEL,ECHO	ECHO+SRM-236ES		
20		X505-002310	1	LABEL,CAUTION	HOT CAUTION		

3. MAGNETO



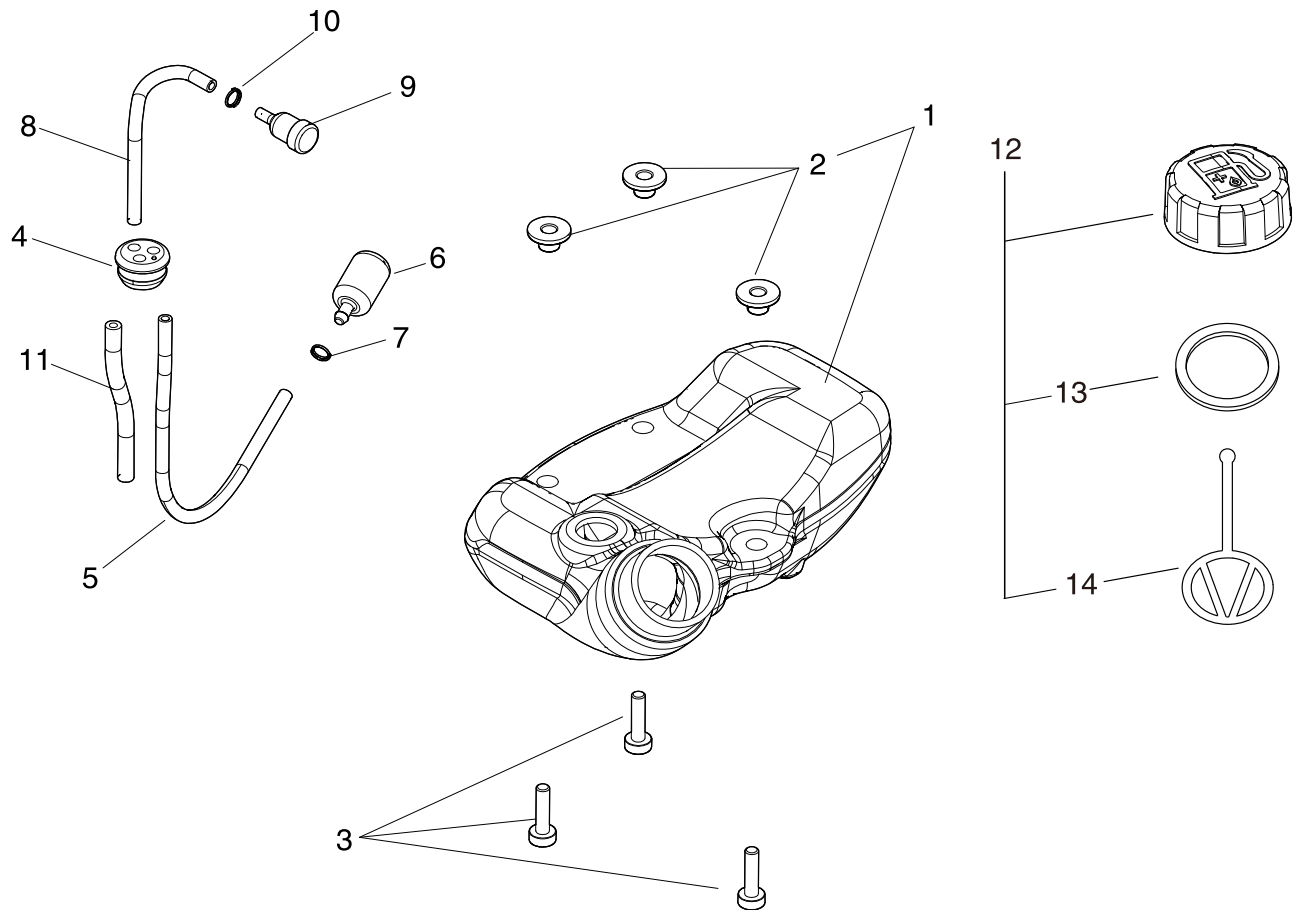
KEY	LV	PART NUMBER	Q'TY	DESCRIPTION	REMARKS	NOTE1	NOTE2
1		A409-000160	1	ROTOR,MAGNETO			
2		A411-000130	1	COIL,IGNITION			
3		V475-007200	1	TUBE	SSG-3Φ8*L65		
4		V485-001120	1	LEAD	L210 #187 CB104		
5		V804-000070	2	BOLT, TORX 4	TB-4*20 12.9		
6		A425-000000	1	SPARKPLUG	BPMR8Y		
7		A427-000013	1	CAP,SPARK PLUG			
8		A426-000010	1	TERMINAL,SPARKPLUG			
9		175000-52734	1	CLUTCH ASY			
10	+	175018-52131	2	SPRING, CLUTCH			

4. AIR CLEANER



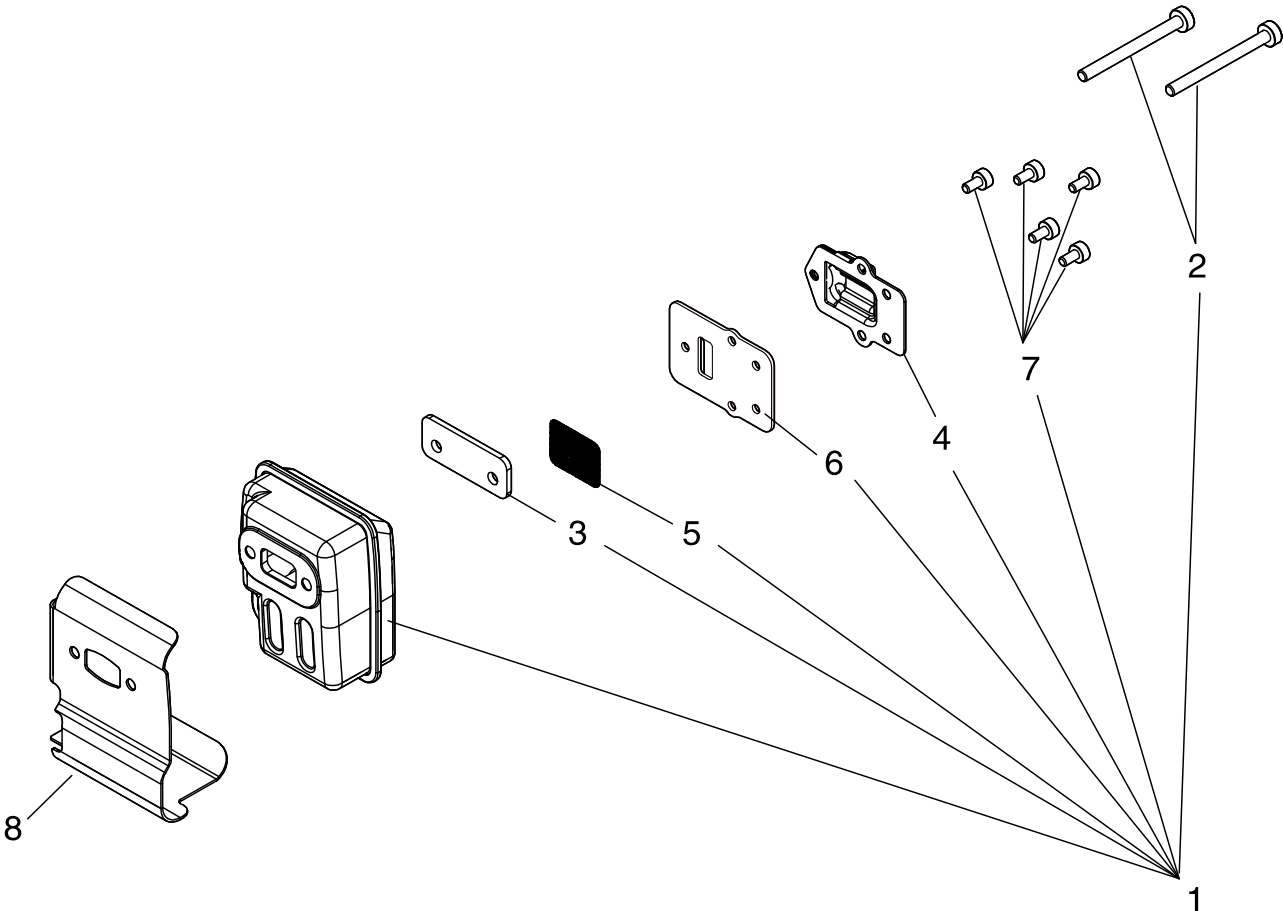
KEY	LV	PART NUMBER	Q'TY	DESCRIPTION	REMARKS	NOTE1	NOTE2
1		A021-003880	1	CARBURETOR,DIAPHRAGM	ZAMA RB-XXX		
2		V103-001390	1	GASKET,INTAKE			
3		130017-44331	1	INSULATOR			
4		V805-000160	2	BOLT, TORX 5	TB-5*20 10.9		
5		900500-00005	2	NUT 5	5		
6		V103-001360	1	GASKET,INTAKE			
7		P021-012870	1	CLEANER CASE ASY			
8		129011-52730	1	PLATE, PREVENT			
9		V805-000100	2	BOLT, TORX 5	TB-5*65 10.9		
10		A232-000480	1	LID,CLEANER			
11		890332-52730	1	LABEL, CHOKE			
12		V299-000250	1	KNOB,FASTENER			
13		A226-001410	1	ELEMENT,AIR FILTER			

5. FUEL TANK



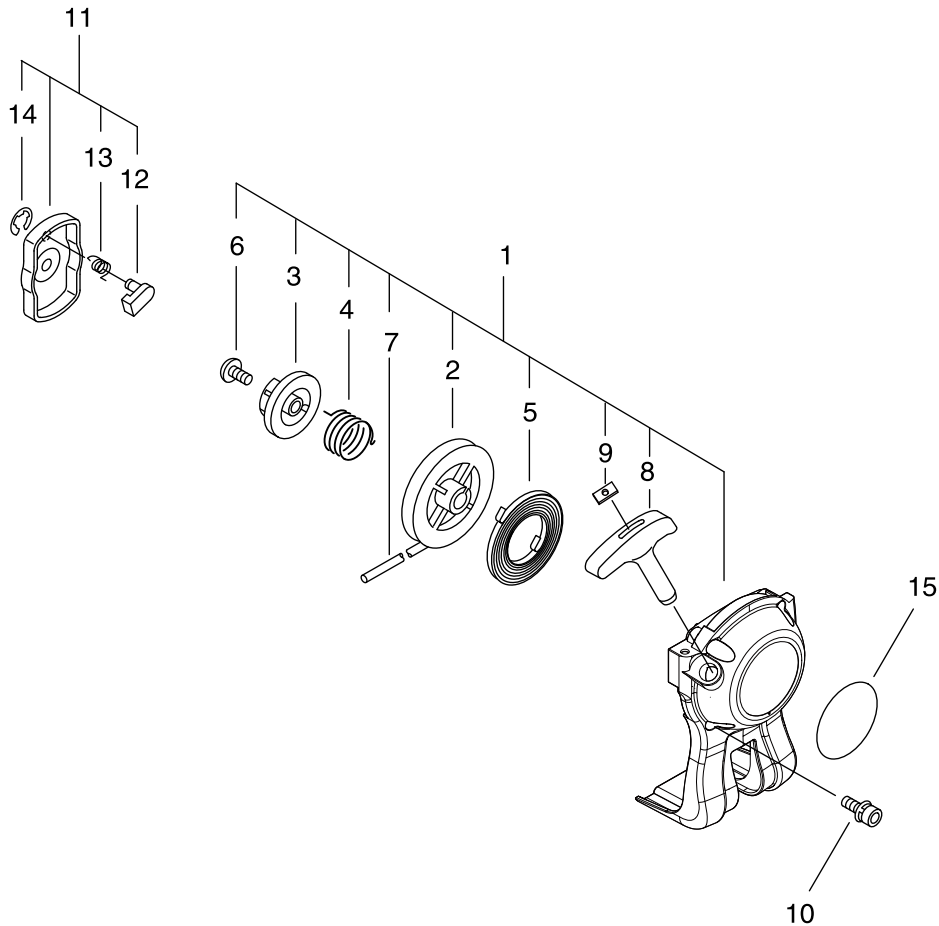
KEY	LV	PART NUMBER	Q'TY	DESCRIPTION	REMARKS	NOTE1	NOTE2
1		A350-000801	1	TANK, FUEL			
2	+	V353-000231	3	COLLAR,5	16*5.5 L6 T2		
3		V805-000160	3	BOLT, TORX 5	TB-5*20 10.9		
4		132115-46730	1	GROMMET, FUEL			
5		V471-001230	1	PIPE	3*5*210 NBR		
6		131205-07320	1	STRAINER, FUEL			
7		V490-001240	1	CLIP			
8		V471-001210	1	PIPE	3*5*90 NBR		
9		A356-000031	1	VALVE,CHECK			
10		V490-001240	1	CLIP			
11		132012-56030	1	PIPE	3*6*80 YL		
12		P021-012210	1	CAP, FUEL ASY			
13	+	131016-55830	1	GASKET, FUEL CAP			
14	+	A365-000060	1	CONNECTOR,CAP	L=123		

6. MUFFLER



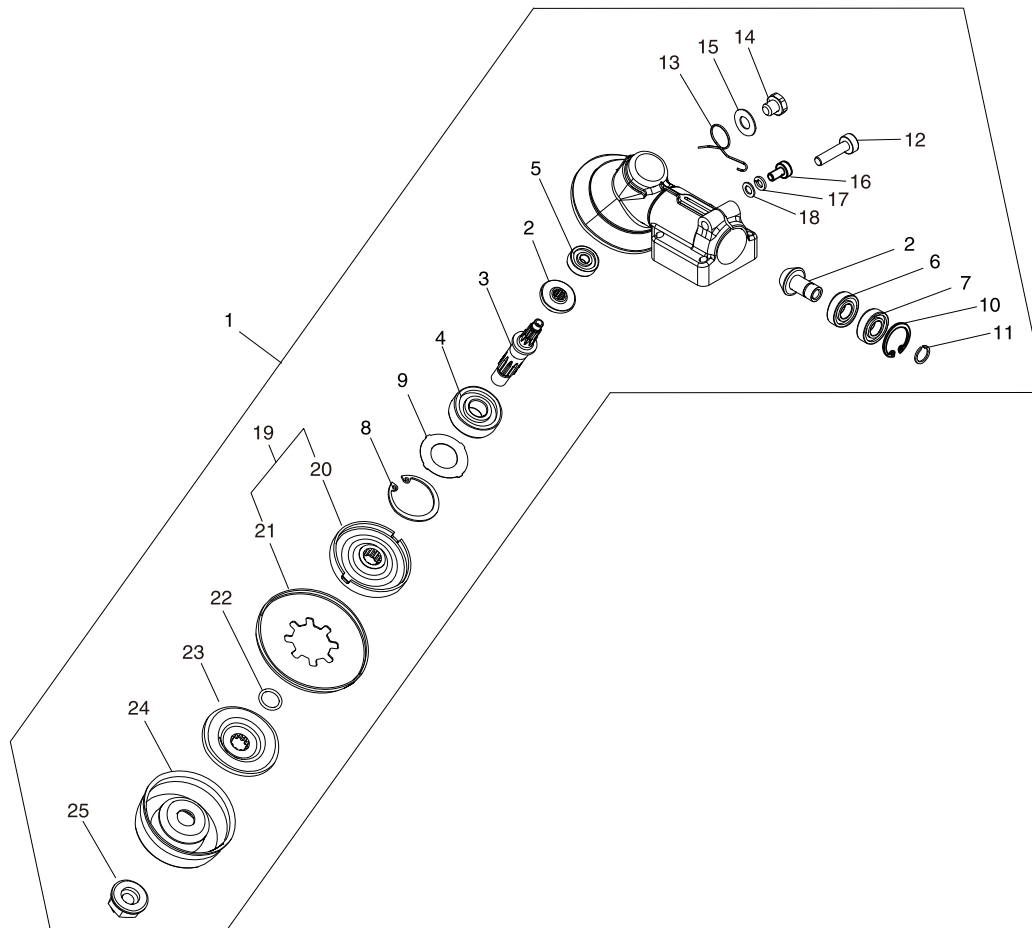
KEY	LV	PART NUMBER	Q'TY	DESCRIPTION	REMARKS	NOTE1	NOTE2
1		P021-036110	1	MUFFLER ASY	SRM-235ES		
2	+	V805-000190	2	BOLT, TORX 5	TB-5*55 12.9		
3	+	V150-000371	1	PLATE, EYE			
4	+	A313-000600	1	GUIDE, EXH			
5	+	145862-40630	1	SCREEN, MUFFLER			
6	+	V104-001760	1	GASKET, EXHAUST			
7	+	V804-000080	5	BOLT, TORX 4	TB4*8		
8		V104-000850	1	GASKET, EXHAUST	T1.0		

7. RECOIL STARTER



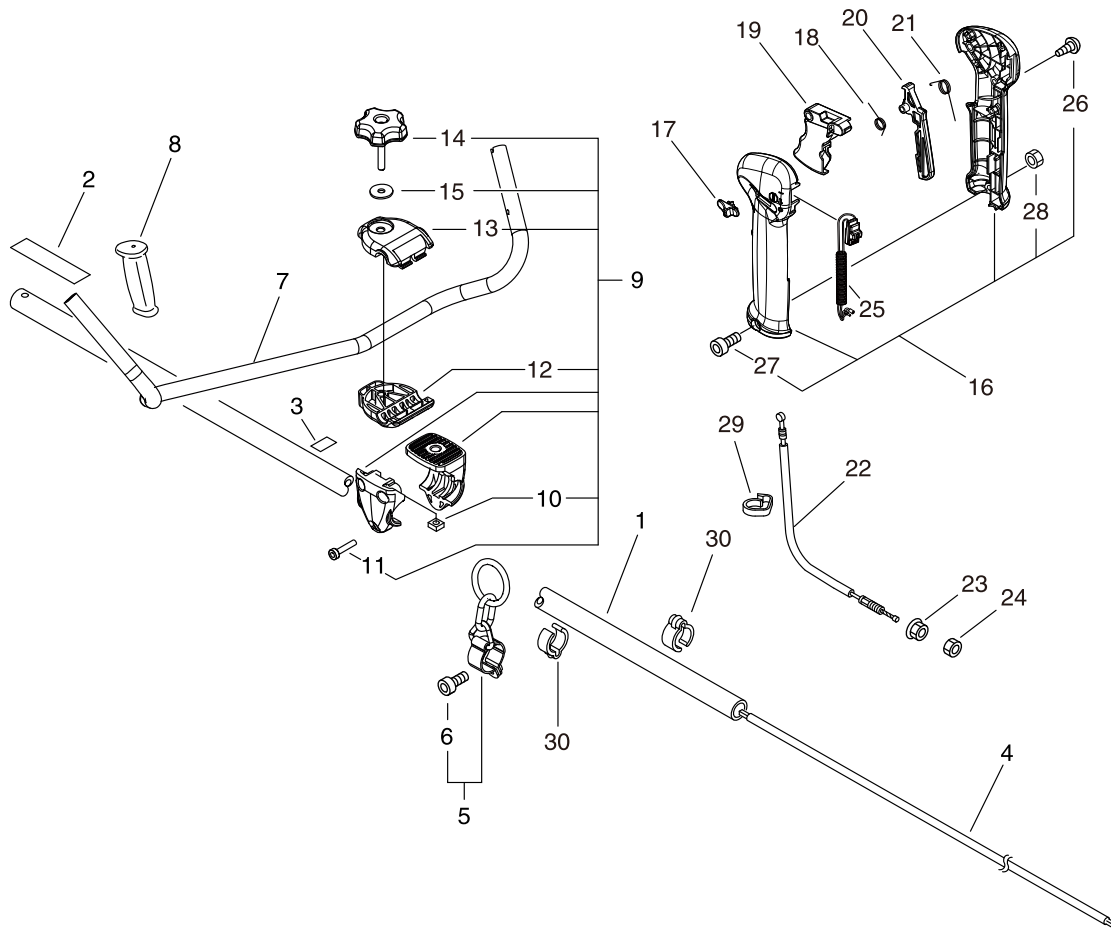
KEY	LV	PART NUMBER	Q'TY	DESCRIPTION	REMARKS	NOTE1	NOTE2
1		A051-001312	1	STARTER,RECOIL ASY	コイル*ンパ 全軸		
2	+	P022-034040	1	DRUM, STARTER			
3	+	P022-034030	1	PLATE, CAM			
4	+	P022-008270	1	SPRING,DAMPER			
5	+	P022-019680	1	SPRING, SPIRAL			
6	+	177236-61830	1	SCREW			
7	+	P022-019990	1	ROPE, STARTER			
8	+	177228-27030	1	GRIP, STARTER			
9	+	177246-11120	1	CLIP, STARTER ROPE			
10		V804-000060	4	BOLT, TORX 4	TB-4*16 10.9		
11		A052-000180	1	PULLEY,ASM STARTER			
12	+	P022-006850	2	PAWL, STARTER			
13	+	P022-006510	2	SPRING, RETURN			
14	+	P022-002100	2	E-RING	4		
15		X502-000890	1	LABEL,ECHO			

8. GEAR CASE



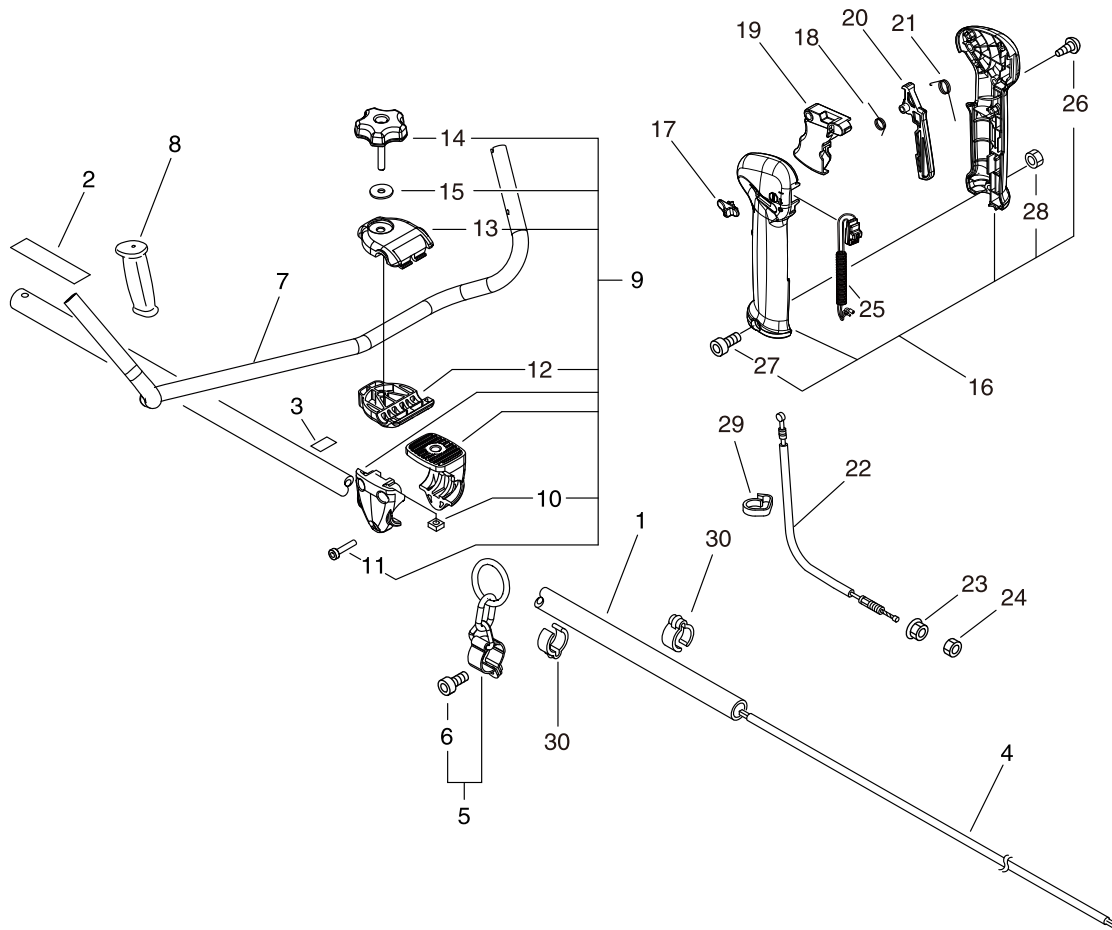
KEY	LV	PART NUMBER	Q'TY	DESCRIPTION	REMARKS	NOTE1	NOTE2
1		P021-036480	1	HOUSING ASSY,GEAR			
2	+	610300-40830	1	GEAR SET			
3	+	610310-56831	1	SHAFT, P.T.O.			
4	+	900812-06201	1	BEARING, BALL 6201			
5	+	94060-00626	1	BEARING, BALL			
6	+	94060-06900	1	BEARING BALL	WEAPON BB6900		
7	+	94063-06900	1	BEARING BALL	WEAPON BB6900Z		
8	+	900702-00032	1	CIRCLIP 32	CR-32		
9	+	610444-56830	1	WASHER			
10	+	900702-00022	1	CIRCLIP 22	CR-22		
11	+	900706-00010	1	CIRCLIP 10	WR-10		
12	+	V806-000020	1	BOLT, TORX 6	TB-6*25 10.9		
13	+	V452-001310	1	SPRING,TORSION			
14	+	610434-50031	1	BOLT 8* 8	M8*8		
15	+	900603-50008	1	WASHER	8.5*18*0.8T		
16	+	V805-000130	1	BOLT, TORX 5	TB-5*10 10.9		
17	+	900605-00005	1	WASHER, SPRING 5	5		
18	+	900600-00005	1	WASHER 5	5		
19	+	610313-52932	1	FIXTURE,BLADE			
20	++	610313-52132	1	FIXTURE,BLADE			
21	++	610352-56830	1	PLATE, CUP			
22	+	900720-00012	1	O-RING 12	P-12		
23	+	610314-52130	1	PLATE, ADAPTER (L)			
24	+	699229-56830	1	PLATE, COVER			
25	+	610320-52130	1	NUT 10			

9. MAIN PIPE



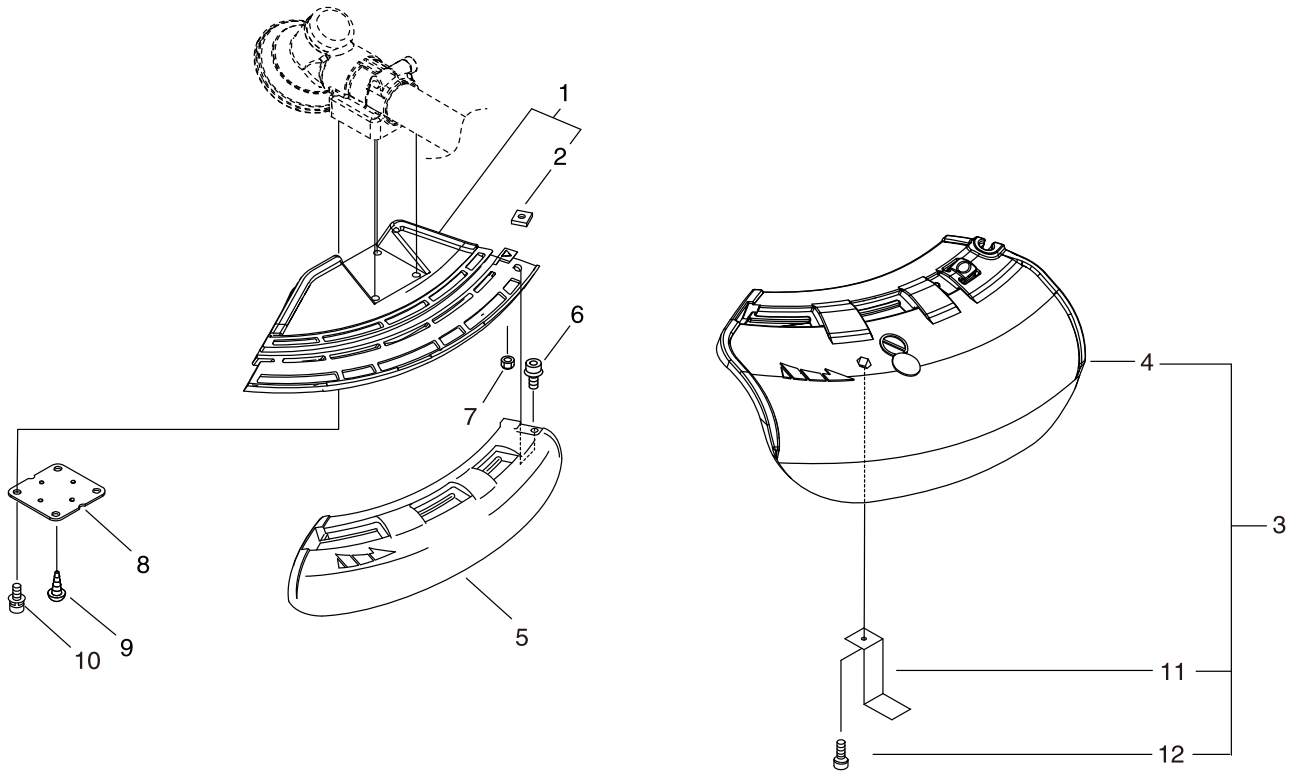
KEY	LV	PART NUMBER	Q'TY	DESCRIPTION	REMARKS	NOTE1	NOTE2
1		610206-28230	1	HOUSING ASS'Y D,SFT.			
2		890617-43130	1	LABEL,CAUTION			
3		890152-04930	1	LABEL, CAUTION			
4		610018-27830	1	SHAFT, DRIVE			
5		P021-016220	1	HOOK ASS'Y			
6	+	V805-000140	1	BOLT, TORX 5	TB-5*12 10.9		
7		C400-000000	1	HANDLE,FRONT			
8		C403-000031	1	GRIP,HANDLE			
9		P021-016231	1	FIXTURE,ASY HANDLE			
10	+	900565-50008	1	NUT			
11	+	V805-000170	3	BOLT, TORX 5	TB-5*25 10.9		
12	+	C423-000042	1	FIXTURE,HANDLE			
13	+	C423-000030	1	FIXTURE,HANDLE			
14	+	V299-000110	1	KNOB,FASTENER			
15	+	605014-54230	1	WASHER			
16		P021-016210	1	GRIP ASY,F-HANDLE			
26	+	V804-000010	3	BOLT, TORX 4	TT-4*16 DG 10.9		
27	+	V805-000050	1	BOLT, TORX 5	TB-5*30 10.9		
28	+	900500-00005	1	NUT 5	5		
17		C463-000020	1	KNOB, LATCH			
18		V452-000360	1	SPRING,TORSION			
19		C450-000270	1	CONTROL, THROTTLE			
20		C460-000111	1	LOCKOUT, THROTTLE	70MM		
21		V452-000350	1	SPRING,TORSION			
22		V430-002330	1	CABLE,BOWDEN	960+90		

9. MAIN PIPE



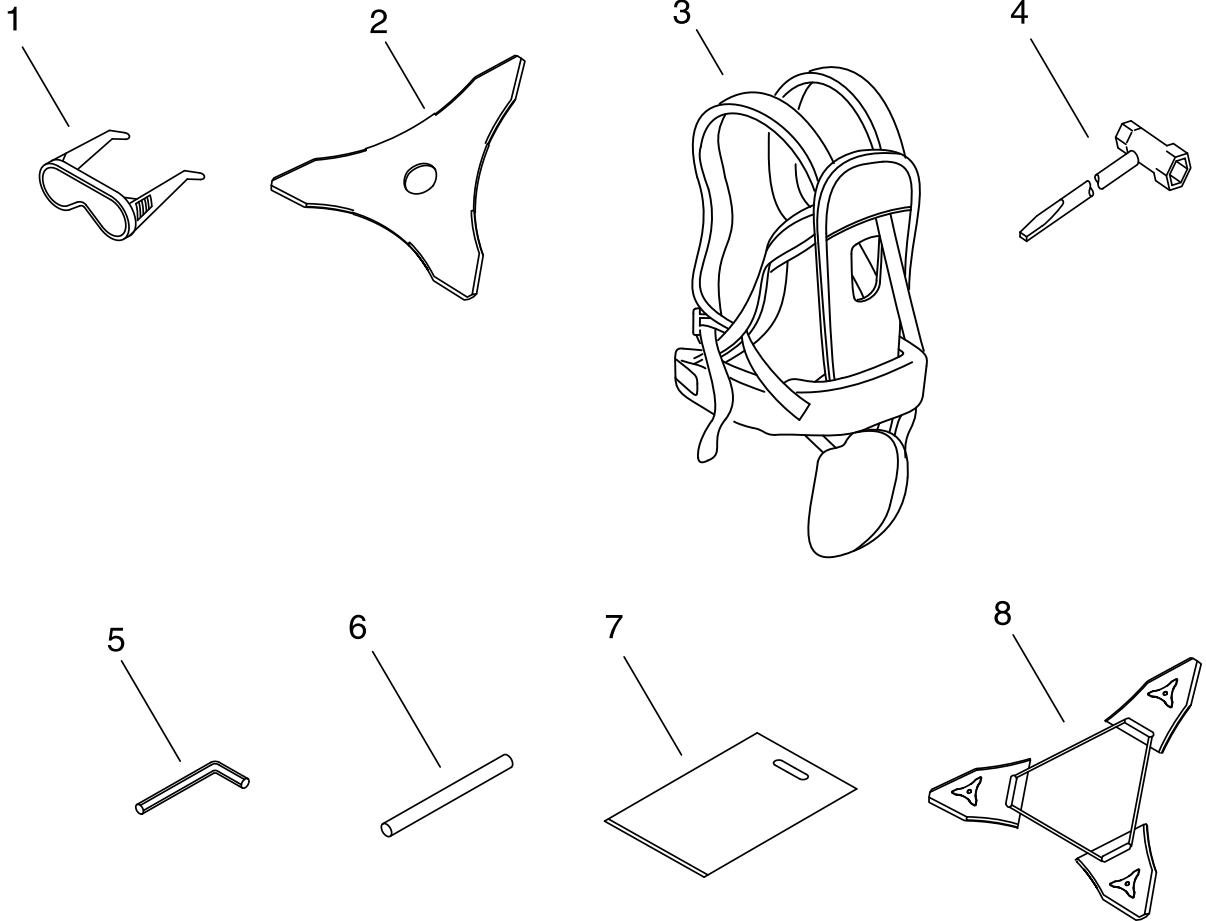
KEY	LV	PART NUMBER	Q'TY	DESCRIPTION	REMARKS	NOTE1	NOTE2
23		900518-00006	1	NUT, FLANGE	6		
24		900502-00006	1	NUT 6 (3N)	3N6		
25		P021-016050	1	SWITCH, IGNITION			
29		159112-09961	1	CLIP			
30		224924-52130	2	CLIP	25MM		

10. SHIELD



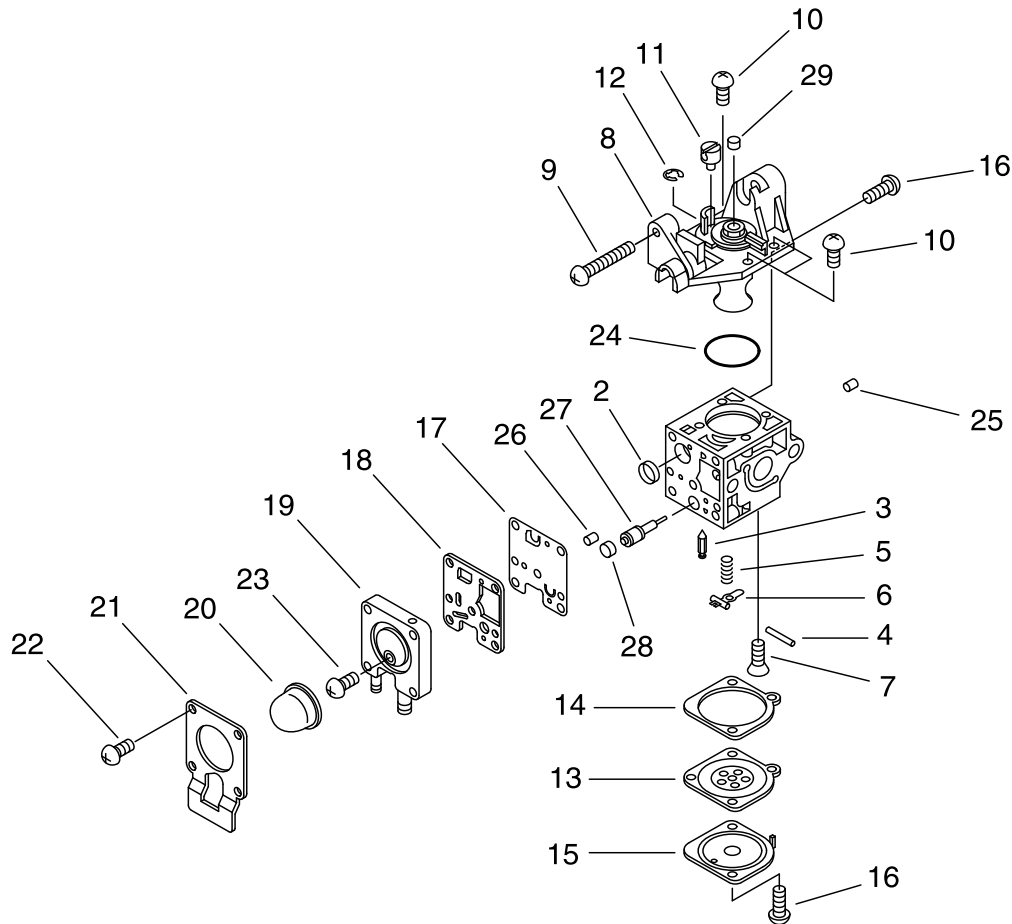
KEY	LV	PART NUMBER	Q'TY	DESCRIPTION	REMARKS	NOTE1	NOTE2
1		C550-000511	1	SHIELD,BLADE			
2	+	900565-00005	1	NUT	5		
3		P021-016245	1	SHIELD,BLADE(W/KNIFE)			
4	+	C550-000570	1	SHIELD,BLADE			
11	+	C554-000000	1	KNIFE,CORD			
12	+	V805-000150	1	BOLT, TORX 5	TB-5*16 10.9		
5		C550-000551	1	SHIELD,BLADE			
6		V805-000170	1	BOLT, TORX 5	TB-5*25 10.9		
7		900562-00005	1	NUT, LOCK	5		
8		C552-000200	1	PLATE, SHIELD			
9		91316-04010	1	SCREW	M4*10		
10		V805-000260	4	BOLT, TORX 5	TB-5*25 半10.9		

11. ACCESSORIES



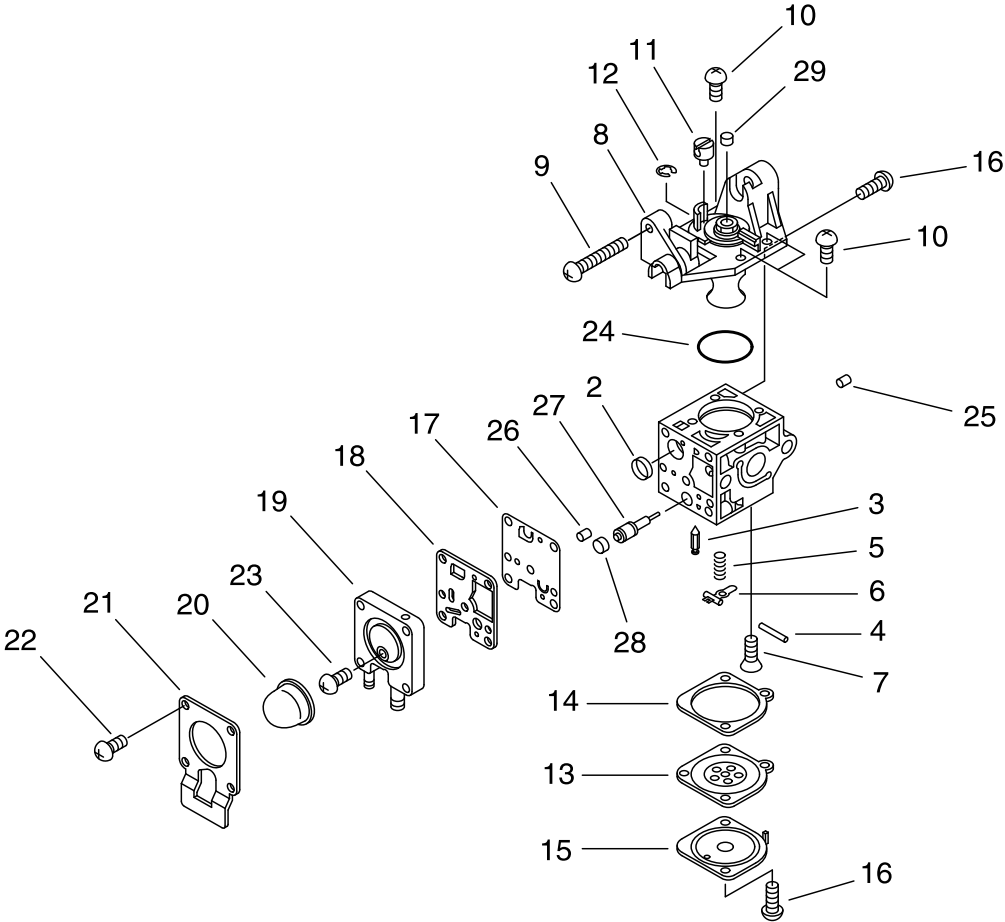
KEY	LV	PART NUMBER	Q'TY	DESCRIPTION	REMARKS	NOTE1	NOTE2
1		X690-000050	1	GOGGLE	GOGGLE + NOTE		
2		P021-038650	1	SAW,BUSH CUTTER	230*T3.0		
3		C062-000193	1	HARNES,SHOULDER			
4		X602-000020	1	TOOL,WRENCH	17*19 L200		
5		X605-000170	1	TOOL,L WRENCH			
6		X606-000080	1	TOOL,BAR	5*120		
7		898510-07130	1	BAG, TOOL			
8		X495-000270	1	SCABBARD,BLADE			

12. CARBURETOR



KEY	LV	PART NUMBER	Q'TY	DESCRIPTION	REMARKS	NOTE1	NOTE2
		A021-003880	1	CARBURETOR,DIAPHRAGM	ZAMA RB-XXX		
2	+	P005-000010	1	STRAINER			
3	+	125337-08260	1	VALVE, INLET NEEDLE			
4	+	125338-13930	1	PIN, METERING ARM			
5	+	P005-002430	1	SPRING, MET. LEVER			
6	+	125323-08260	1	ARM, VALVE			
7	+	125339-42030	1	SCREW			
8	+	P005-002460	1	COVER ASY, ROTOR			
9	+	P005-000100	1	SCREW,THROTTLEADJUST			
10	+	125344-13931	3	SCREW			
11	+	P005-001240	1	POST			
12	+	P005-000190	1	E-RING			
13	+	P005-002230	1	DIAPHRAGM ,METERING			
14	+	P005-000200	1	GASKET, METERING			
15	+	125342-52130	1	COVER, DIAPHRAGM			
16	+	125344-52130	3	SCREW			
17	+	P005-000510	1	DIAPHRAGM, PUMP			
18	+	P005-000520	1	GASKET, PUMP			
19	+	P005-001890	1	BASE, ASY PRIMER			
20	+	125381-46730	1	PUMP, PRIMING			
21	+	P005-000250	1	RETAINER			
22	+	P005-001900	4	SCREW			
23	+	P005-000270	1	SCREW			
24	+	P005-000280	1	O-RING			
25	+	P005-001000	1	ROLLER, GUIDE			
26	+	P005-001250	1	RETAINER,PLUG BALL			

12. CARBURETOR



KEY	LV	PART NUMBER	Q'TY	DESCRIPTION	REMARKS	NOTE1	NOTE2
27	+	P005-001260	1	SCREW,MAINN MIXTURE			
28	+	P005-001270	1	PLUG, H AJUST SCREW			
29	+	A259-000010	1	CAP,LIMITER			

Index

Patrs Number	Key No.	Patrs Number	Key No.	Patrs Number	Key No.
100013-11520	1 - 6	890152-04930	9 - 3	A426-000010	3 - 8
100014-11520	1 - 7	890332-52730	4 - 11	A427-000013	3 - 7
100015-04630	1 - 8	890617-43130	9 - 2	A556-000530	2 - 7
100204-52133	1 - 10	898510-07130	11 - 7	C062-000193	11 - 3
100212-42031	1 - 13	900162-05022	1 - 9	C400-000000	9 - 7
100215-03930	1 - 11	900162-05028	1 - 15	C403-000031	9 - 8
100215-03930	2 - 3	900500-00005	4 - 5	C423-000030	9 - 13
100242-42030	1 - 14	900500-00005	9 - 28	C423-000042	9 - 12
101010-44332	1 - 3	900502-00006	9 - 24	C450-000270	9 - 19
125323-08260	12 - 6	900518-00006	9 - 23	C460-000111	9 - 20
125337-08260	12 - 3	900562-00005	10 - 7	C463-000020	9 - 17
125338-13930	12 - 4	900565-00005	10 - 2	C550-000511	10 - 1
125339-42030	12 - 7	900565-50008	9 - 10	C550-000551	10 - 5
125342-52130	12 - 15	900600-00005	8 - 18	C550-000570	10 - 4
125344-13931	12 - 10	900603-50008	8 - 15	C552-000200	10 - 8
125344-52130	12 - 16	900605-00005	8 - 17	C554-000000	10 - 11
125381-46730	12 - 20	900701-00012	2 - 8	P005-000010	12 - 2
129011-52730	4 - 8	900702-00022	8 - 10	P005-000100	12 - 9
130017-44331	4 - 3	900702-00028	2 - 5	P005-000190	12 - 12
131016-55830	5 - 13	900702-00032	8 - 8	P005-000200	12 - 14
131205-07320	5 - 6	900706-00010	8 - 11	P005-000250	12 - 21
132012-56030	5 - 11	900720-00012	8 - 22	P005-000270	12 - 23
132115-46730	5 - 4	900807-06001	2 - 4	P005-000280	12 - 24
145862-40630	6 - 5	900812-06201	8 - 4	P005-000510	12 - 17
156635-43130	1 - 16	91316-04010	10 - 9	P005-000520	12 - 18
159112-09961	9 - 29	94035-36201	1 - 12	P005-001000	12 - 25
159116-21231	1 - 17	94060-00626	8 - 5	P005-001240	12 - 11
175000-52734	3 - 9	94060-06900	8 - 6	P005-001250	12 - 26
175018-52131	3 - 10	94063-06900	8 - 7	P005-001260	12 - 27
177228-27030	7 - 8	A011-000101	1 - 1	P005-001270	12 - 28
177236-61830	7 - 6	A021-003880	4 - 1	P005-001890	12 - 19
177246-11120	7 - 9	A021-003880	12 -	P005-001900	12 - 22
224924-52130	9 - 30	A051-001312	7 - 1	P005-002230	12 - 13
605014-54230	9 - 15	A052-000180	7 - 11	P005-002430	12 - 5
610018-27830	9 - 4	A101-000090	1 - 5	P005-002460	12 - 8
610206-28230	9 - 1	A130-002100	1 - 2	P021-007712	1 - 4
610300-40830	8 - 2	A160-001090	2 - 16	P021-012210	5 - 12
610310-56831	8 - 3	A172-000860	2 - 2	P021-012870	4 - 7
610313-52132	8 - 20	A226-001410	4 - 13	P021-016050	9 - 25
610313-52932	8 - 19	A232-000480	4 - 10	P021-016170	2 - 1
610314-52130	8 - 23	A259-000010	12 - 29	P021-016210	9 - 16
610320-52130	8 - 25	A313-000600	6 - 4	P021-016220	9 - 5
610352-56830	8 - 21	A320-000480	2 - 13	P021-016231	9 - 9
610434-50031	8 - 14	A350-000801	5 - 1	P021-016245	10 - 3
610444-56830	8 - 9	A356-000031	5 - 9	P021-036110	6 - 1
610910-55230	2 - 11	A365-000060	5 - 14	P021-036480	8 - 1
610922-27432	2 - 9	A409-000160	3 - 1	P021-038650	11 - 2
610923-55230	2 - 10	A411-000130	3 - 2	P022-002100	7 - 14
699229-56830	8 - 24	A425-000000	3 - 6	P022-006510	7 - 13

Index

Patrs Number	Key No.	Patrs Number	Key No.	Patrs Number	Key No.
P022-006850	7 - 12	X505-002310	2 - 20		
P022-008270	7 - 4	X547-002330	2 - 19		
P022-019680	7 - 5	X602-000020	11 - 4		
P022-019990	7 - 7	X605-000170	11 - 5		
P022-034030	7 - 3	X606-000080	11 - 6		
P022-034040	7 - 2	X690-000050	11 - 1		
V103-001360	4 - 6				
V103-001390	4 - 2				
V104-000850	6 - 8				
V104-001760	6 - 6				
V150-000371	6 - 3				
V299-000110	9 - 14				
V299-000250	4 - 12				
V353-000231	5 - 2				
V430-002330	9 - 22				
V452-000350	9 - 21				
V452-000360	9 - 18				
V452-001310	8 - 13				
V471-001210	5 - 8				
V471-001230	5 - 5				
V475-007200	3 - 3				
V485-001120	3 - 4				
V490-001240	5 - 7				
V490-001240	5 - 10				
V804-000010	9 - 26				
V804-000060	2 - 6				
V804-000060	7 - 10				
V804-000070	3 - 5				
V804-000080	6 - 7				
V805-000000	2 - 14				
V805-000000	2 - 17				
V805-000050	9 - 27				
V805-000100	4 - 9				
V805-000130	1 - 18				
V805-000130	8 - 16				
V805-000140	9 - 6				
V805-000150	2 - 15				
V805-000150	2 - 18				
V805-000150	10 - 12				
V805-000160	2 - 12				
V805-000160	4 - 4				
V805-000160	5 - 3				
V805-000170	9 - 11				
V805-000170	10 - 6				
V805-000190	6 - 2				
V805-000260	10 - 10				
V806-000020	8 - 12				
X495-000270	11 - 8				
X502-000890	7 - 15				

YAMABIKO CORPORATION

7-2 SUEHIROCHO 1-CHOME, OHME, TOKYO 198-8760, JAPAN
PHONE: 81-428-32-6118. FAX: 81-428-32-6145.



12Eb
No. 04-400