



# **PARTS CATALOGUE**

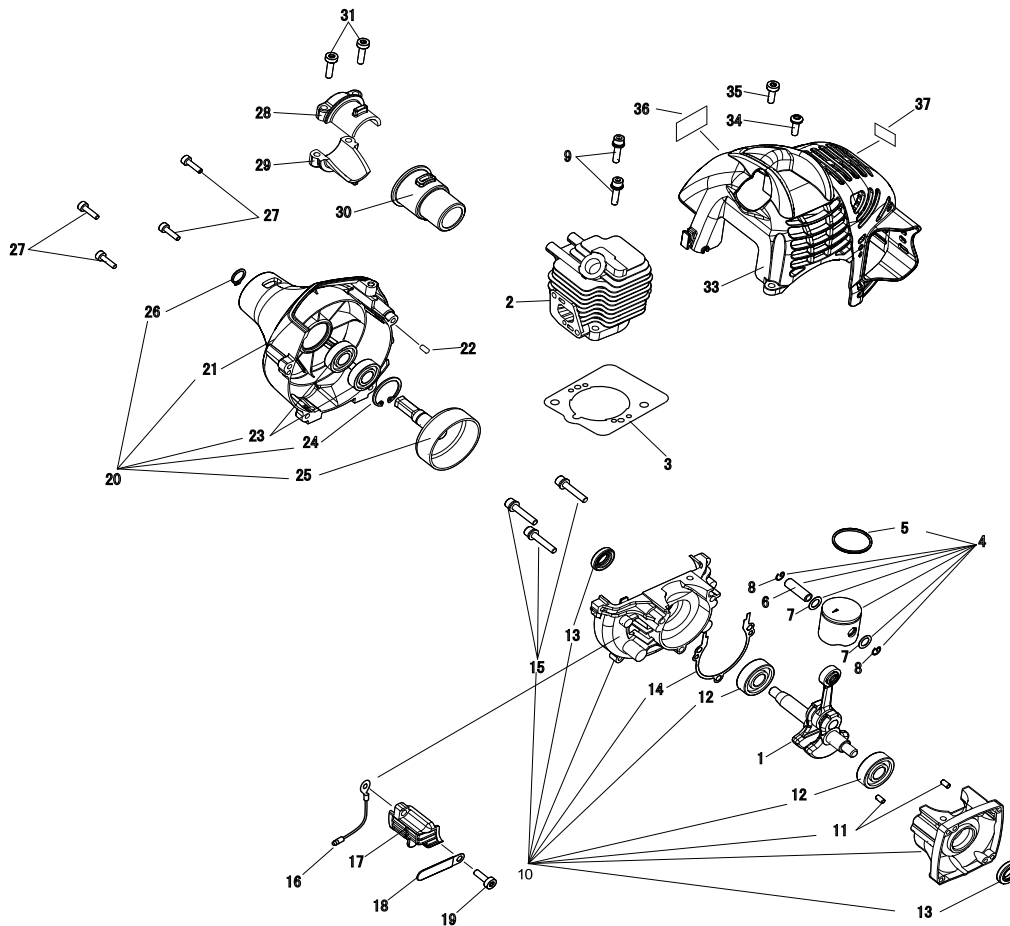
## **GRASS-TRIMMER / BRUSHCUTTER**

**SRM-235(37)**

- 37007210

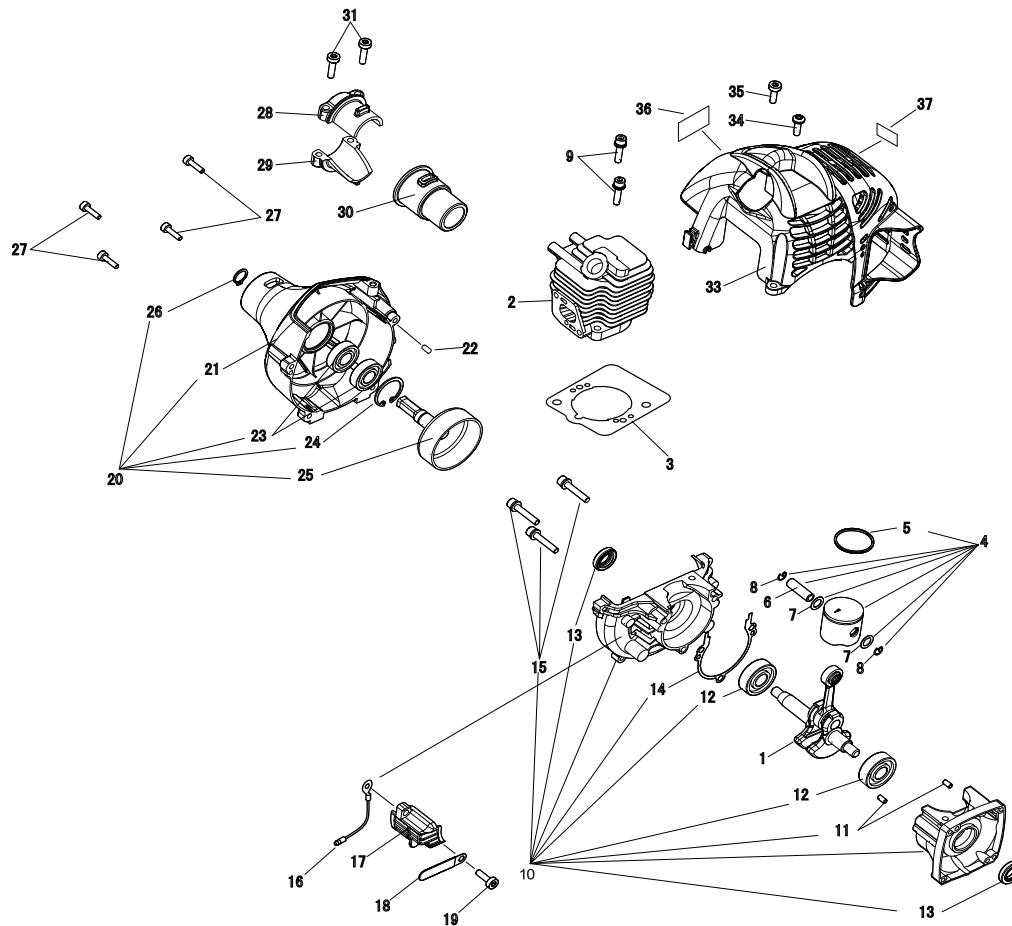
SRM-235(37)

# 1. Cylinder, Crankcase, Piston



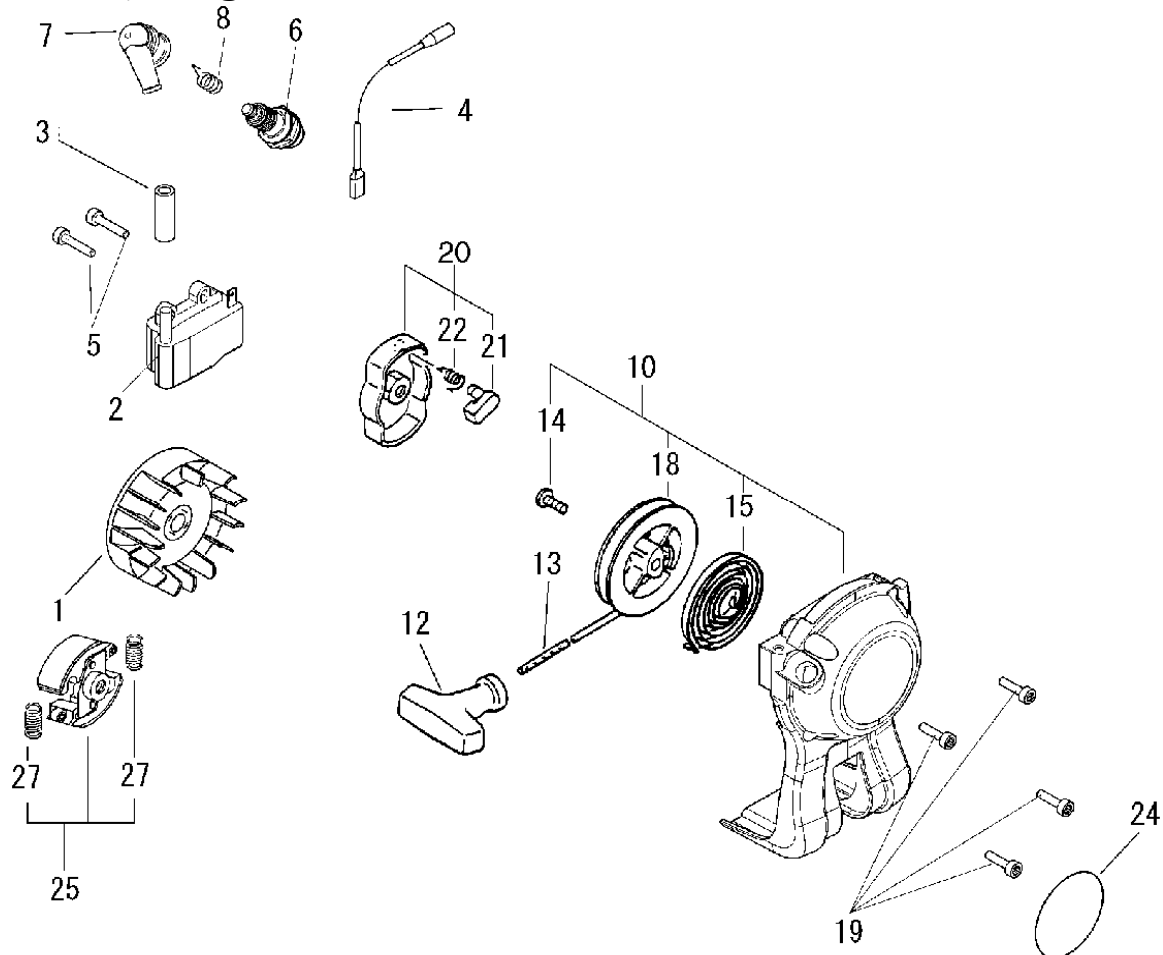
KEY	LV	PART NUMBER	Q'TY	DESCRIPTION	REMARKS	NOTE1	NOTE2
1		A011-000101	1	CRANKSHAFT,ASM			
2		A130-000540	1	CYLINDER			
3		V100-000160	1	GASKET,CYL			
4		P021-007712	1	PISTON KIT			
5	+	A101-000090	1	RING,PISTON			
6	+	100013-11520	1	PIN, PISTON			
7	+	100014-11520	2	SPACER, PISTON PIN			
8	+	100015-04630	2	CIRCLIP, PISTON PIN			
9		900162-05022	2	BOLT, H.S. 5*22	5*22 W,SW		
10		100204-52132	1	CRANKCASE KIT			
11	+	V622-000020	2	PIN,STRAIGHT 4	4*7.8		
12	+	94035-36201	2	BEARING BALL	6201X3JR2C3		
13	+	100212-42031	2	OILSEAL	ISCD 12*22*4.5		
14	+	100242-42030	1	GASKET, CRANKCASE			
15	+	900162-05028	3	BOLT, H.S. 5*28	5*28 W,SW		
16		156635-43130	1	LEAD, GROUND			
17		A127-000160	1	COVER,DUST			
18		159116-21231	1	CLAMP			
19		V805-000150	1	BOLT, TORX 5	TB-5*16 10.9		
20		P021-016170	1	COVER,FAN ASSY			
21	+	A172-000860	1	COVER,FAN			
22	+	100215-03930	2	PIN, DOWEL			
23	+	900807-06001	2	BEARING, BALL 6001	6001V(LB)		
24	+	900702-00028	1	CIRCLIP 28	CR-28		
25	+	A556-000530	1	DRUM, CLUTCH			

# 1. Cylinder, Crankcase, Piston



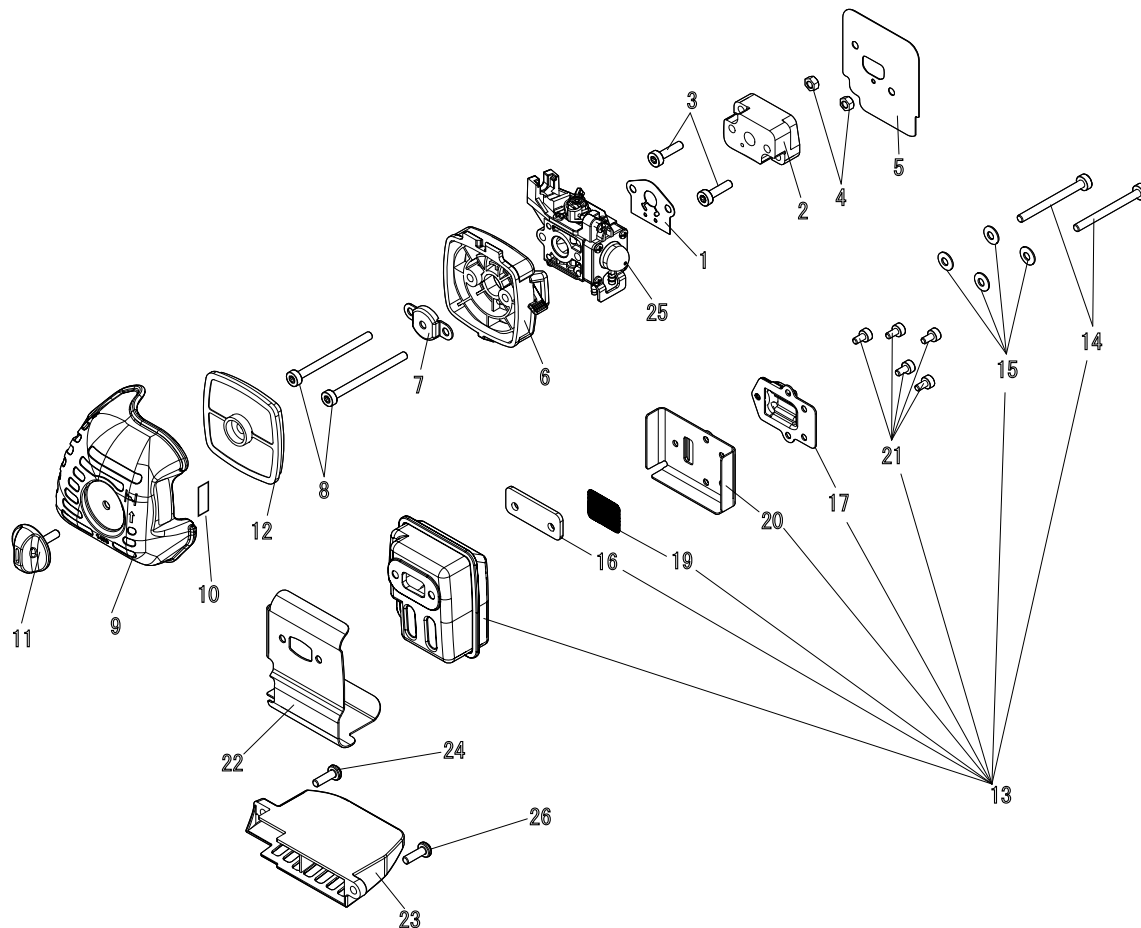
KEY	LV	PART NUMBER	Q'TY	DESCRIPTION	REMARKS	NOTE1	NOTE2
26	+	900701-00012	1	CIRCLIP 12	CS-12		
27		V804-000060	4	BOLT, TORX 4	TB-4*16 10.9		
28		610922-27432	1	HOLDER			
29		610923-55230	1	HOLDER			
30		610910-55230	1	CUSHION			
31		V805-000160	2	BOLT, TORX 5	TB-5*20 10.9		
33		A160-001090	1	COVER,CYLINDER			
34		V805-000000	1	BOLT, TORX 5	TT-5*16 DG 10.9		
35		V805-000150	1	BOLT, TORX 5	TB-5*16 10.9		
36		X547-001440	1	LABEL,ECHO	SRM-235		
37		X505-002310	1	LABEL,CAUTION	HOT CAUTION		

## 2. Starter, Magneto



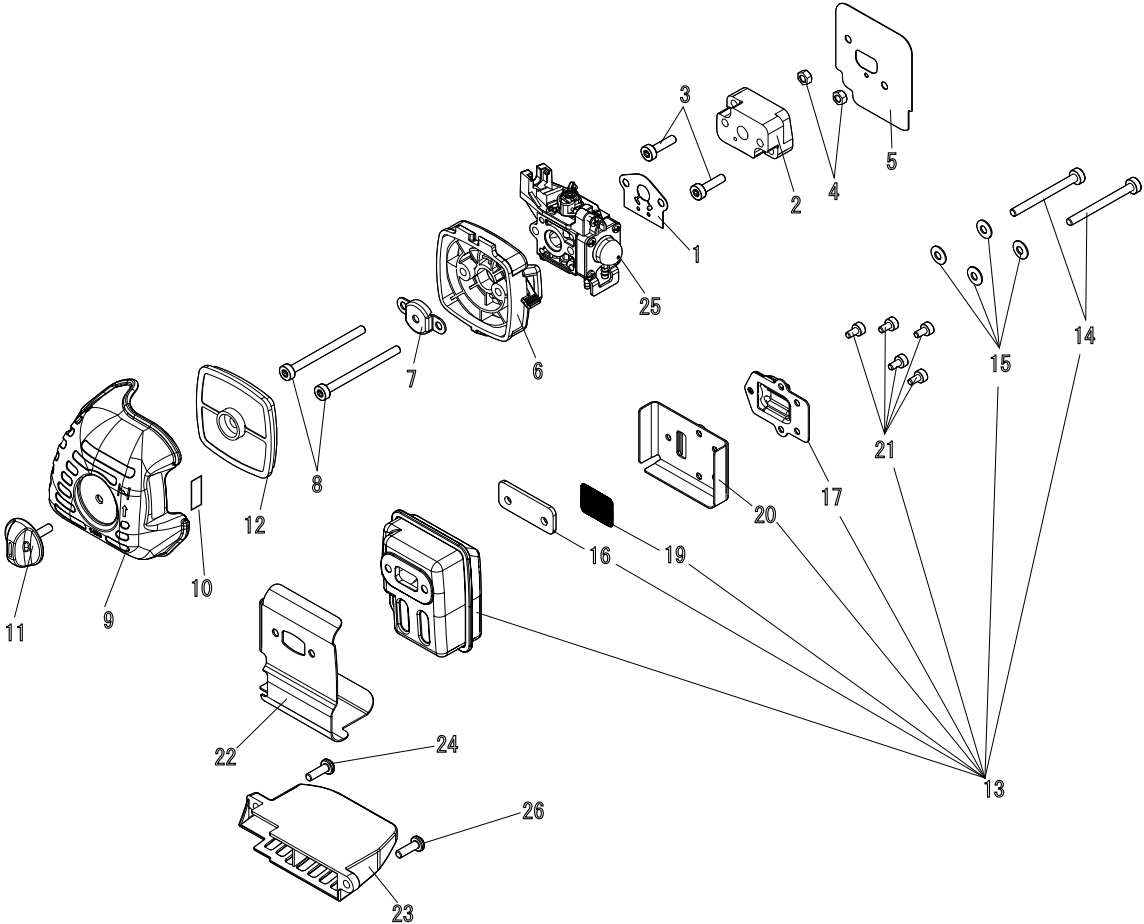
KEY	LV	PART NUMBER	Q'TY	DESCRIPTION	REMARKS	NOTE1	NOTE2
1		A409-000210	1	ROTOR,MAGNETO			
2		A411-000130	1	COIL,IGNITION			
3		V475-004160	1	TUBE	7*8.6*65 HST-10		
4		V485-001120	1	LEAD	L210 #187 CB104		
5		V804-000070	2	BOLT, TORX 4	TB-4*20 12.9		
6		A425-000000	1	SPARKPLUG	BPMR8Y		
7		A427-000013	1	CAP,SPARK PLUG			
8		A426-000010	1	TERMINAL,SPARKPLUG			
10		A051-001380	1	STARTER,RECOIL ASY			
12	+	P022-023170	1	GRIP, STARTER			
13	+	P022-023360	1	ROPE	3*900		
14	+	177236-44330	1	SCREW			
15	+	177220-42030	1	SPRING, REWIND			
18	+	177215-44430	1	DRUM, STARTER			
19		V804-000060	4	BOLT, TORX 4	TB-4*16 10.9		
20		177202-12220	1	PAWL ASSY, STARTER			
21	+	177218-44330	1	PAWL, STARTER	BLACK		
22	+	177234-12220	1	SPRING, PAWL			
24		X502-000330	1	LABEL,ECHO	ECHO		
25		175000-52734	1	CLUTCH ASY			
27	+	175018-52131	2	SPRING, CLUTCH			

### 3. Air Cleaner, Carburetor, Muffler



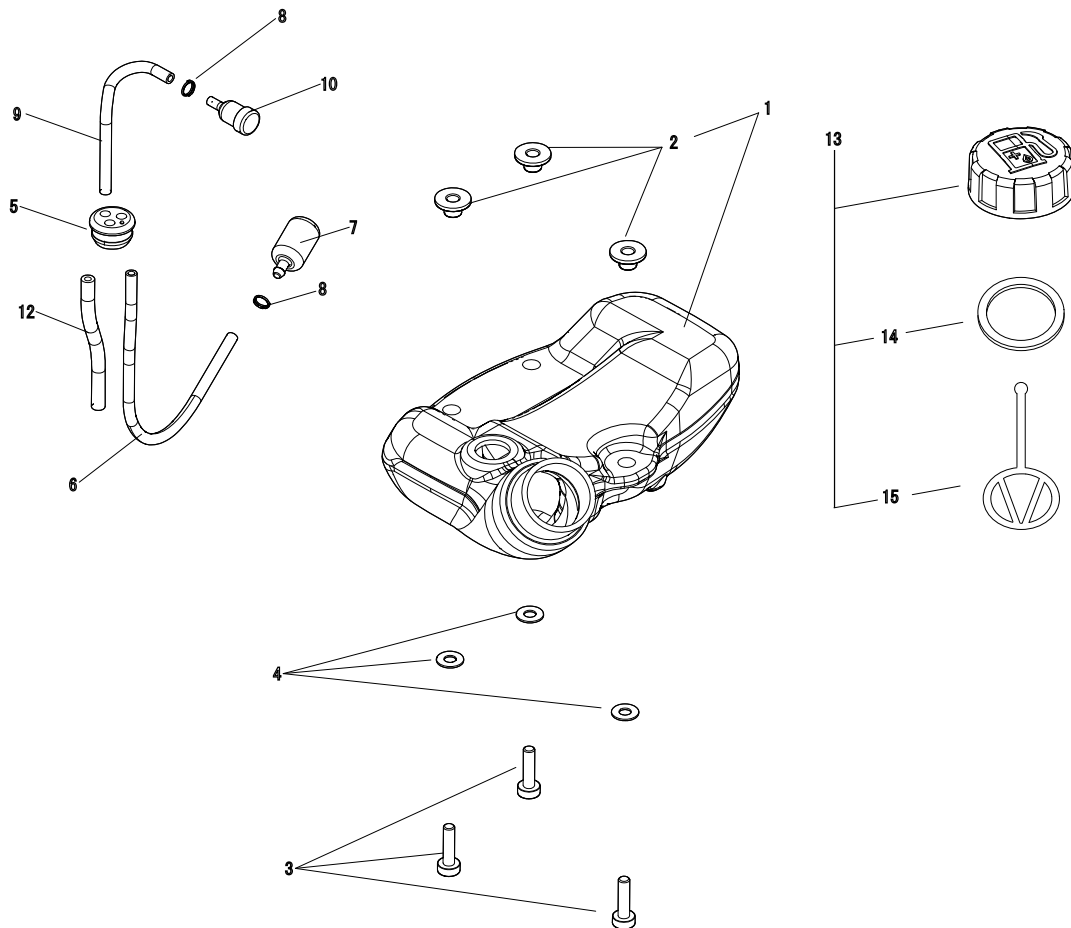
KEY	LV	PART NUMBER	Q'TY	DESCRIPTION	REMARKS	NOTE1	NOTE2
1		V103-000480	1	GASKET,INTAKE	ASK4602		
2		130017-44331	1	INSULATOR			
3		V805-000160	2	BOLT, TORX 5	TB-5*20 10.9		
4		900500-00005	2	NUT 5	5		
5		V103-000490	1	GASKET,INTAKE	NP4200		
6		P021-012870	1	CLEANER CASE ASY			
7		129011-52730	1	PLATE, PREVENT			
8		V805-000100	2	BOLT, TORX 5	TB-5*65 10.9		
9		A232-000480	1	LID,CLEANER			
10		890121-52730	1	LABEL, CHOKE			
11		V299-000250	1	KNOB,FASTENER			
12		130310-54130	1	FILTER, AIR			
13		P021-015580	1	MUFFLER ASY			
14	+	V805-000190	2	BOLT, TORX 5	TB-5*55 12.9		
15	+	V347-000000	4	WASHER,CONICAL			
16	+	V150-000371	1	PLATE,EYE			
17	+	A313-000600	1	GUIDE,EXH			
19	+	145862-40630	1	SCREEN, MUFFLER			
20	+	V104-000360	1	GASKET,EXHAUST			
21	+	V804-000080	5	BOLT, TORX 4	TB4*8		
22		V104-000850	1	GASKET,EXHAUST	T1.0		
23		A320-000480	1	COVER,MUFFLER			
24		V805-000000	1	BOLT, TORX 5	TT-5*16 DG 10.9		
25		A021-001690	1	CARBURETOR,DIAPHRAGM	ZAMA RB-X1746		

3. Air Cleaner, Carburetor, Muffler



KEY	LV	PART NUMBER	Q'TY	DESCRIPTION	REMARKS	NOTE1	NOTE2
26		V805-000150	1	BOLT, TORX 5	TB-5*16 10.9		

## 4. Fuel Tank

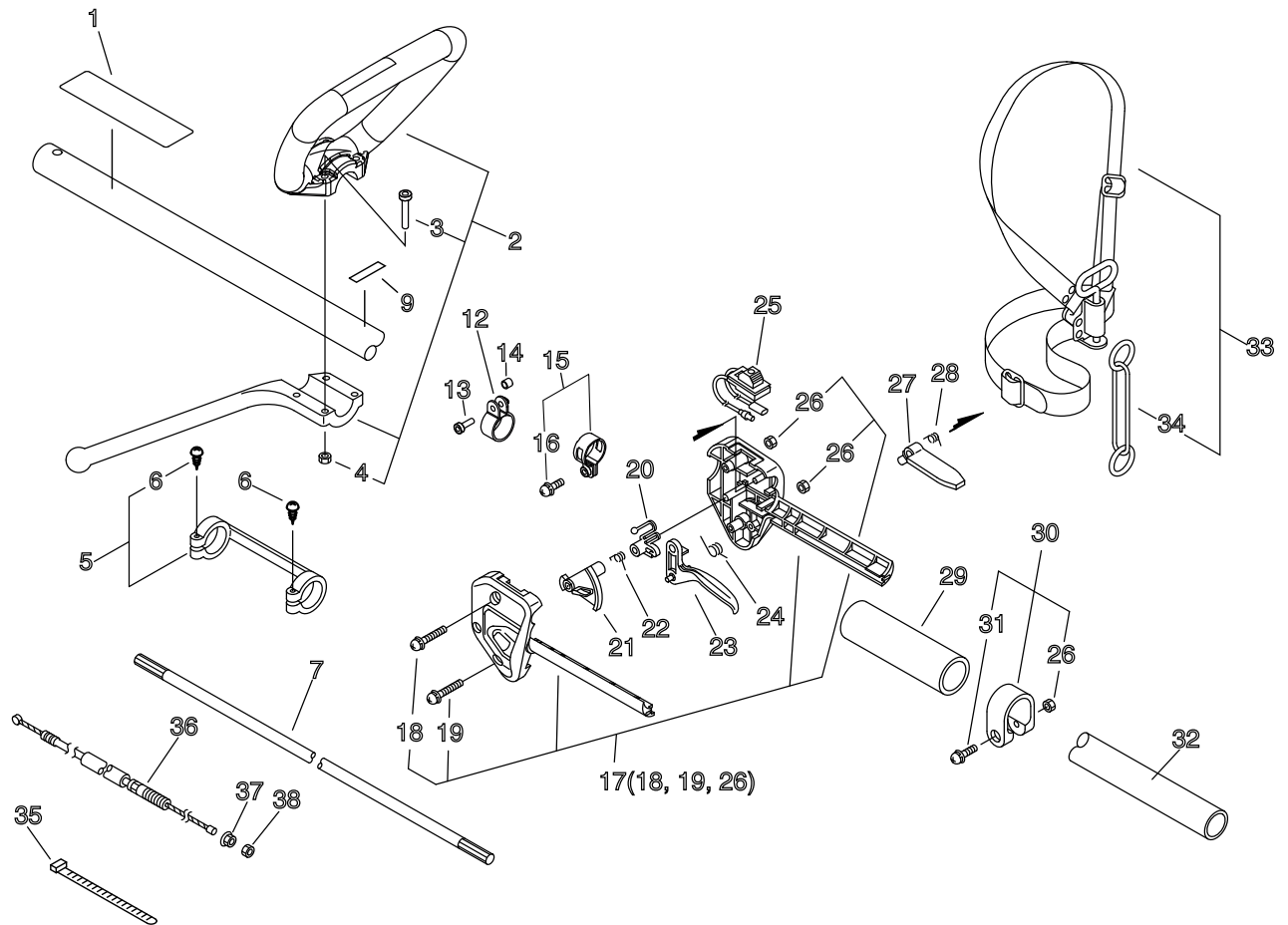


KEY	LV	PART NUMBER	Q'TY	DESCRIPTION	REMARKS	NOTE1	NOTE2
1		A350-000801	1	TANK, FUEL			
2	+	V353-000231	3	COLLAR,5	16*5.5 L6 T2		
3		V805-000160	3	BOLT, TORX 5	TB-5*20 10.9		
4		900603-00005	3	WASHER 5	5.5*12*0.8		
5		V137-000030	1	GROMMET,FUEL			
6		V471-001230	1	PIPE	3*5*210 NBR		
7		131205-07320	1	STRAINER, FUEL			
8		132013-09820	2	CLIP	6MM		
9		V471-001210	1	PIPE	3*5*90 NBR		
10		A356-000030	1	VALVE,CHECK			
12		132012-56030	1	PIPE	3*6*80 YL		
13		P021-012210	1	CAP,FUEL ASY			
14	+	131016-55830	1	GASKET, FUEL CAP			
15	+	A365-000060	1	CONNECTOR,CAP	L=123		



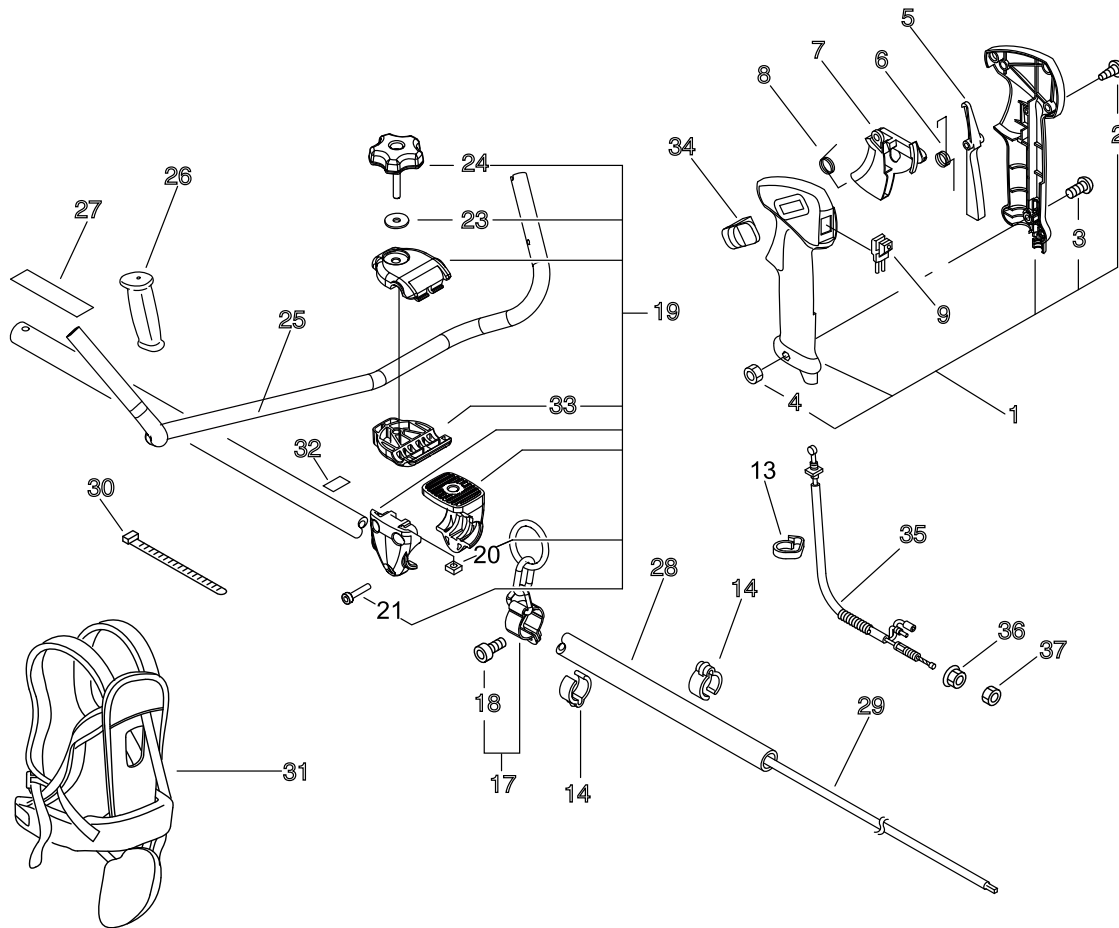


## 5. Handle(L)



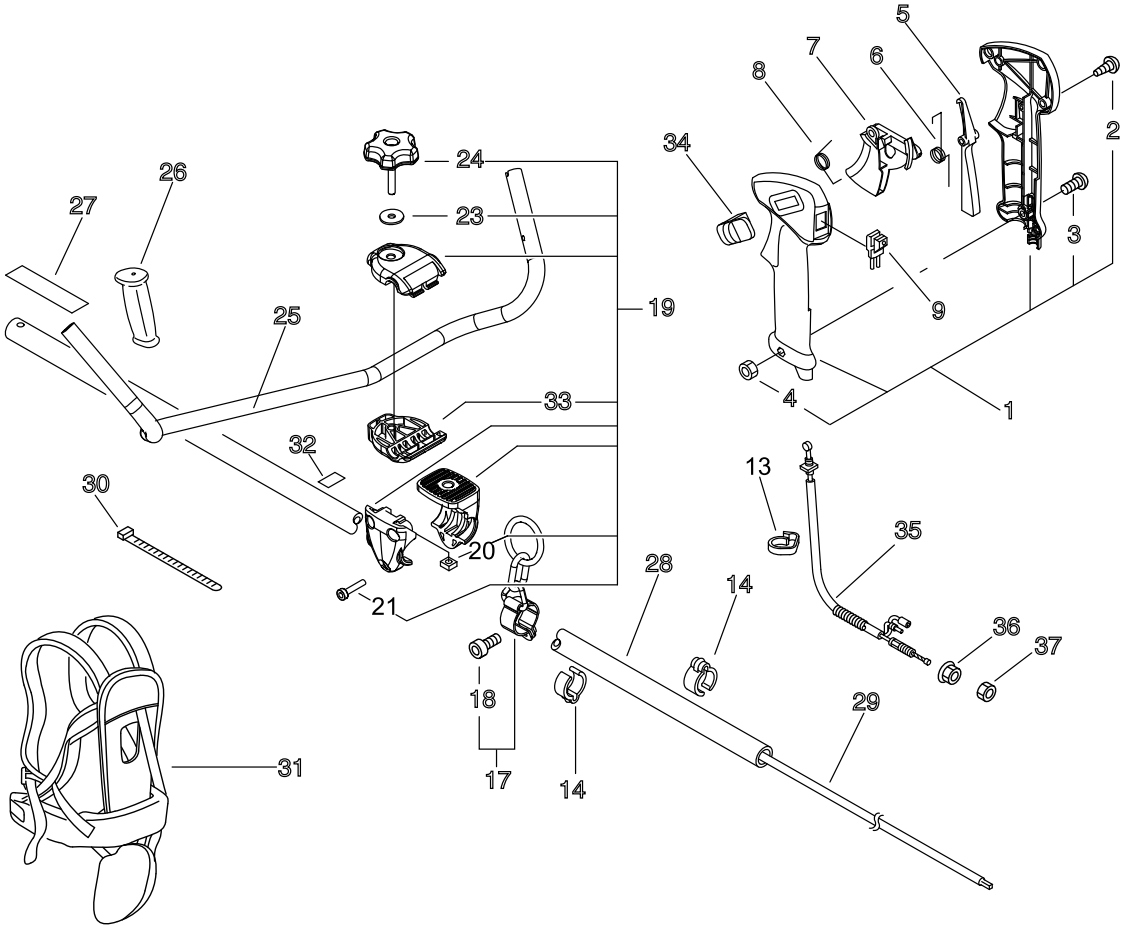
KEY	LV	PART NUMBER	Q'TY	DESCRIPTION	REMARKS	NOTE1	NOTE2
30		P021-016200	1	BAND 25			
31	+	V805-000170	1	BOLT, TORX 5	TB-5*25 10.9		
26	+	900500-00005	1	NUT 5	5		
32		610206-28230	1	HOUSING ASS'Y D,SFT.			
33		301001-46731	1	HARNESS, SHOULDER	L1910,L1550		
34	+	301305-24330	1	LINK			
35		178121-08550	1	BAND	CV-100		
36		V430-002290	1	CABLE,BOWDEN	330+61		
37		900518-00006	1	NUT, FLANGE	6		
38		900502-00006	1	NUT 6 (3N)	3N6		

## 6. Handle(U)



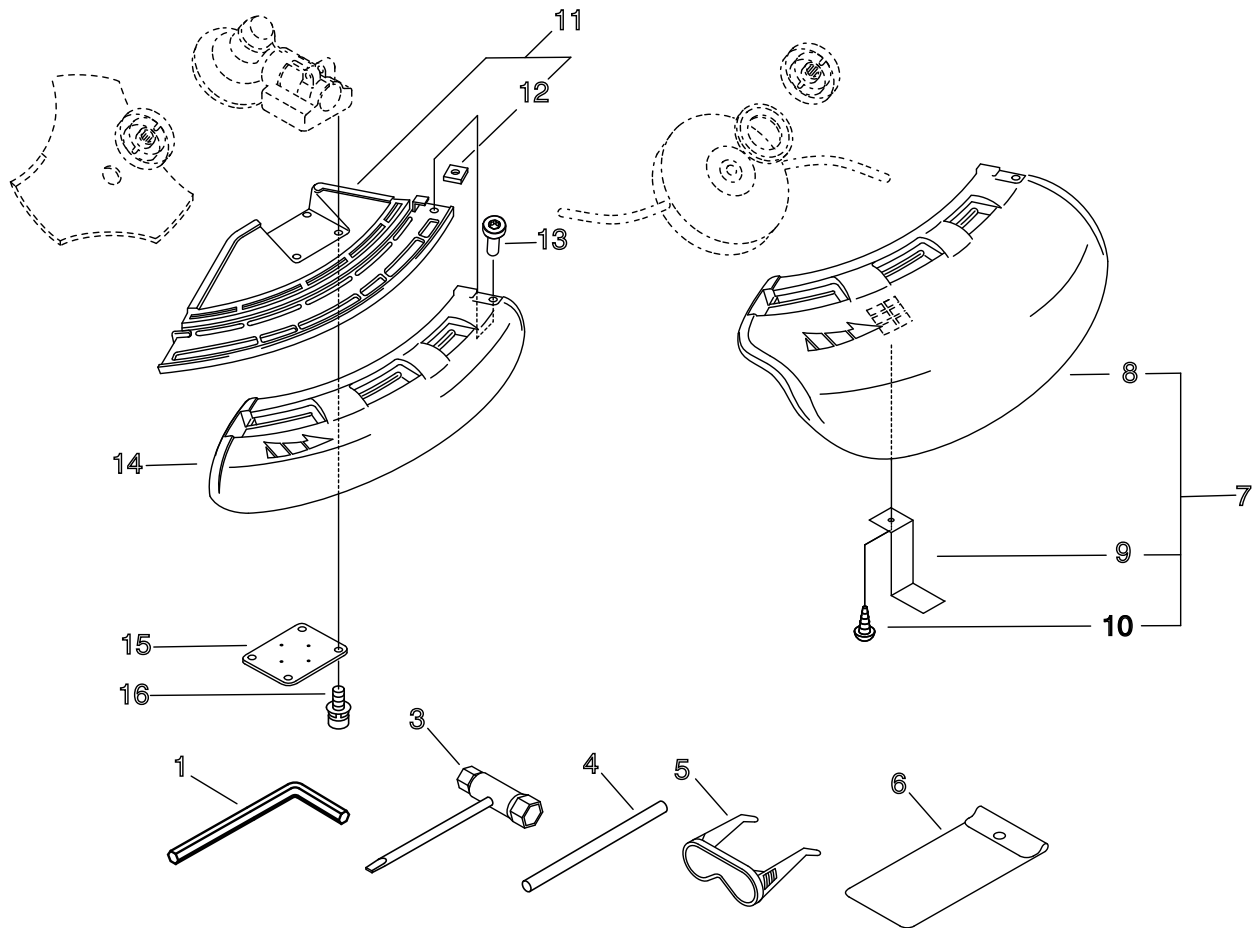
KEY	LV	PART NUMBER	Q'TY	DESCRIPTION	REMARKS	NOTE1	NOTE2
1		P021-016210	1	GRIP ASY,F-HANDLE			
2	+	V804-000010	3	BOLT, TORX 4	TT-4*16	DG 10.9	
3	+	V805-000050	1	BOLT, TORX 5	TB-5*30	10.9	
4	+	900500-00005	1	NUT 5	5		
5		C460-000111	1	LOCKOUT, THROTTLE	70MM		
6		V452-000350	1	SPRING,TORSION			
7		C450-000270	1	CONTROL, THROTTLE			
8		V452-000360	1	SPRING,TORSION			
9		A440-001230	1	SWITCH, ON OFF			
13		159112-09961	1	CLIP			
14		224924-52130	2	CLIP	25MM		
17		P021-016220	1	HOOK ASS'Y			
18	+	V805-000140	1	BOLT, TORX 5	TB-5*12	10.9	
19		P021-016230	1	FIXTURE,ASY HANDLE			
20	+	900565-50008	1	NUT	8*1.25		
21	+	V805-000170	3	BOLT, TORX 5	TB-5*25	10.9	
23	+	605014-54230	1	WASHER			
24	+	V299-000110	1	KNOB,FASTENER			
33	+	C423-000041	1	FIXTURE,HANDLE			
25		C400-000000	1	HANDLE,FRONT			
26		C403-000031	1	GRIP,HANDLE			
27		890617-43130	1	LABEL,CAUTION			
28		610206-28230	1	HOUSING ASS'Y D,SFT.			
29		610018-27830	1	SHAFT, DRIVE			
30		178121-08550	1	BAND	CV-100		

6. Handle(U)



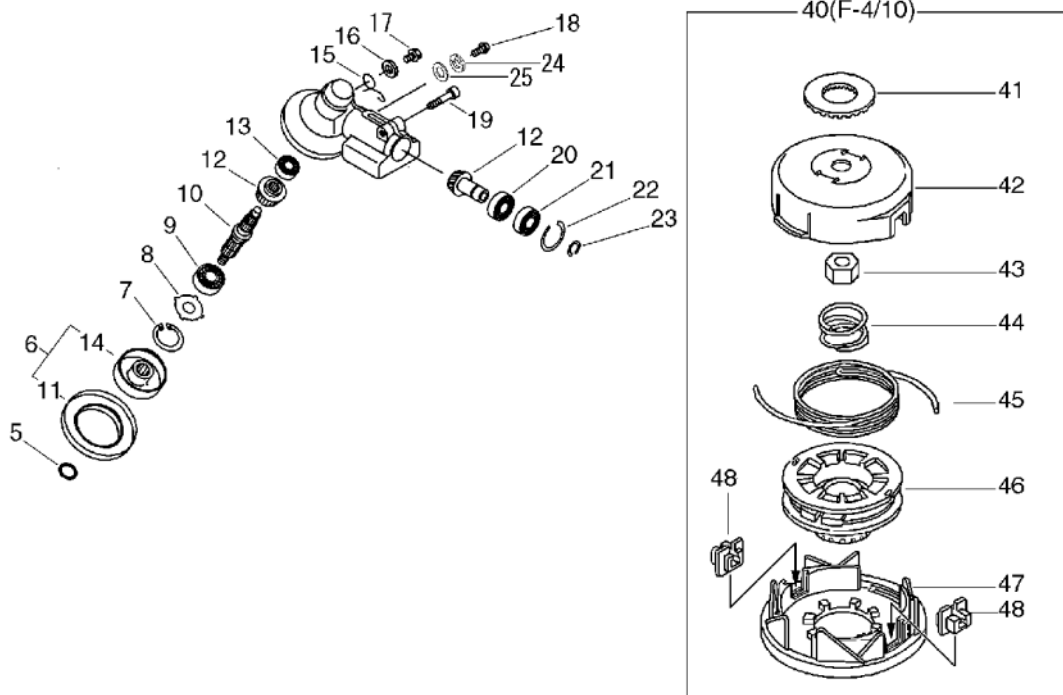
KEY	LV	PART NUMBER	Q'TY	DESCRIPTION	REMARKS	NOTE1	NOTE2
31		C062-000192	1	HARNES,SHOULDER			
32		890152-04930	1	LABEL, CAUTION			
34		C463-000020	1	KNOB, LATCH			
35		V430-002330	1	CABLE,BOWDEN	960+90		
36		900518-00006	1	NUT, FLANGE	6		
37		900502-00006	1	NUT 6 (3N)	3N6		

## 7. Shield, Tools



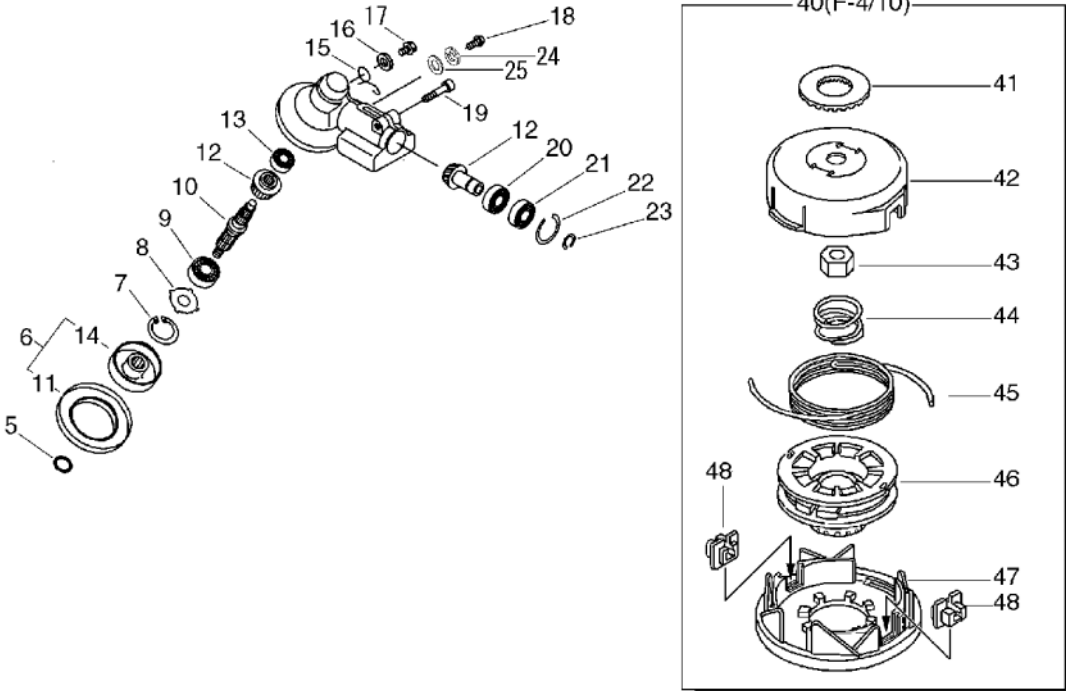
KEY	LV	PART NUMBER	Q'TY	DESCRIPTION	REMARKS	NOTE1	NOTE2
1		X605-000050	1	TOOL,L WRENCH			
3		X602-000020	1	TOOL,WRENCH	17*19 L200		
4		897518-01131	1	LOCKING TOOL			
5		P021-002861	1	GOGGLES			
6		898510-07130	1	BAG, TOOL			
7		P021-016240	1	SHIELD,BLADE(W/KNIFE)			
8	+	C550-000080	1	SHIELD,BLADE			
9	+	C554-000000	1	KNIFE,CORD			
10	+	V805-000240	1	BOLT, TORX 5	TT-5*12 DG 10.9		
11		C550-000100	1	SHIELD,BLADE			
12	+	900565-00005	1	NUT	5		
13		V805-000150	1	BOLT, TORX 5	TB-5*16 10.9		
14		C550-000090	1	SHIELD,BLADE			
15		699013-56830	1	PLATE, SHIELD			
16		V805-000160	4	BOLT, TORX 5	TB-5*20 10.9		

## 8. Gear Case(L)



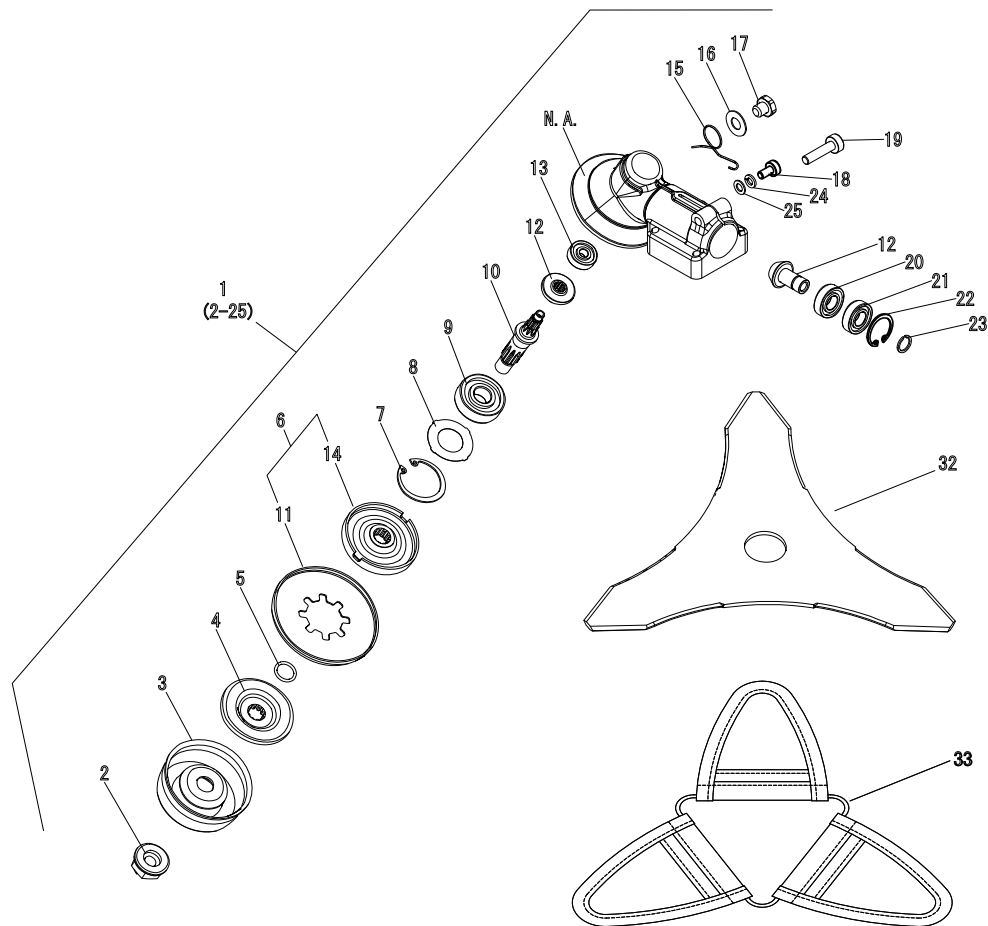
KEY	LV	PART NUMBER	Q'TY	DESCRIPTION	REMARKS	NOTE1	NOTE2
5		900720-00012	1	O-RING 12	P-12		
6		610313-52932	1	FIXTURE,BLADE			
11	+	610352-56830	1	PLATE, CUP			
14	+	610313-52132	1	FIXTURE,BLADE			
7		900702-00032	1	CIRCLIP 32	CR-32		
8		610444-56830	1	WASHER			
9		900812-06201	1	BEARING, BALL 6201	6201DDU(LLU)		
10		610310-56831	1	SHAFT, P.T.O.			
12		610300-40830	1	GEAR SET			
13		900810-00626	1	BEARING, BALL 626	626		
15		610473-52131	1	SPRING			
16		900603-50008	1	WASHER	8.5*18*0.8T		
17		610434-50031	1	BOLT 8* 8	M8*8		
18		V805-000130	1	BOLT, TORX 5	TB-5*10 10.9		
19		V806-000020	1	BOLT, TORX 6	TB-6*25 10.9		
20		900855-06900	1	BEARING, BALL 6900	6900		
21		900858-06900	1	BEARING, BALL 6900Z	6900Z		
22		900702-00022	1	CIRCLIP 22	CR-22		
23		900706-00010	1	CIRCLIP 10	WR-10		
24		900605-00005	1	WASHER, SPRING 5	5		
25		900600-00005	1	WASHER 5	5		
40		X047-000270	1	CUTTER,ASM LINE	F4/10 M10L		
41	+	V332-000000	1	WASHER,CIRCULAR 24			
42	+	P022-003310	1	HOUSING			
43	+	P022-001220	1	NUT			
44	+	P022-001250	1	SPRING	DS-3/10		

8. Gear Case(L)



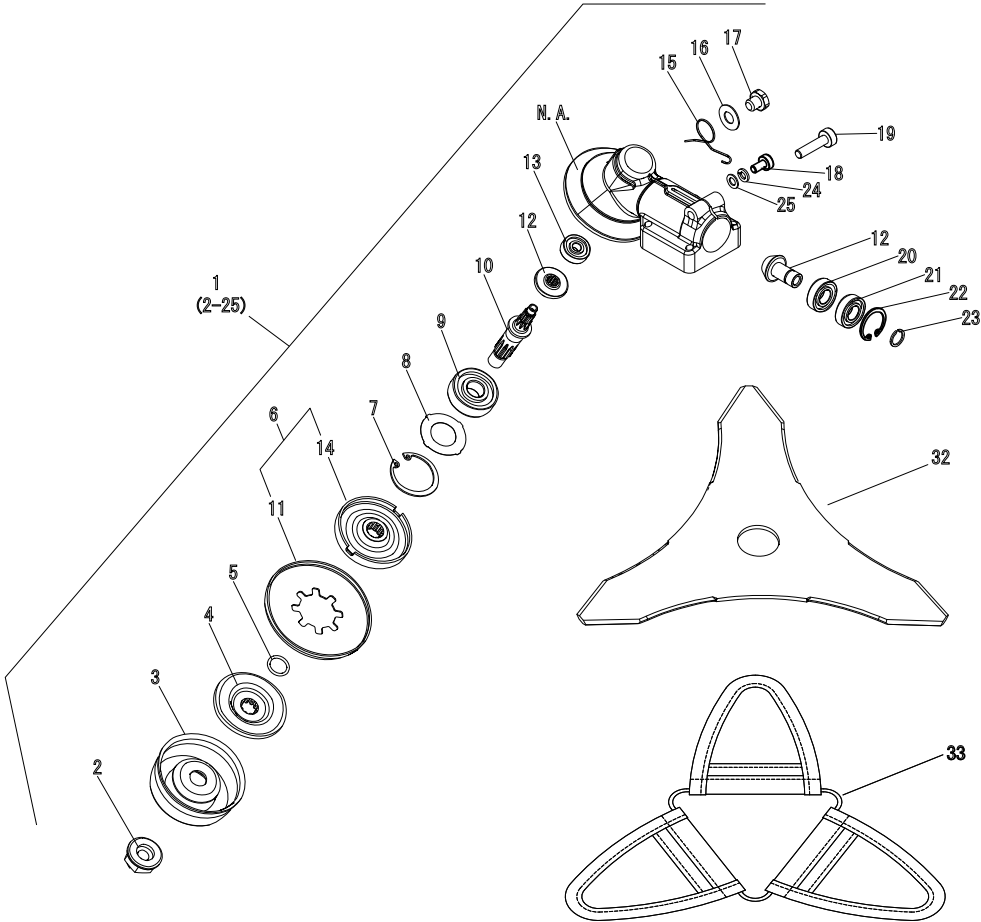
KEY	LV	PART NUMBER	Q'TY	DESCRIPTION	REMARKS	NOTE1	NOTE2
45	+	P022-006190	1	NYLON CODE	3.0*2M		
46	+	P022-001260	1	BOBBIN	DS-3/10		
47	+	P022-003330	1	COVER			
48	+	P022-000710	2	EYELET	T4		

## 9. Gear Case(U)



KEY	LV	PART NUMBER	Q'TY	DESCRIPTION	REMARKS	NOTE1	NOTE2
1		P021-012612	1	CASE,GEAR			
2	+	610320-52130	1	NUT 10			
3	+	699229-56830	1	PLATE, COVER			
4	+	610314-52130	1	PLATE, ADAPTER (L)			
5	+	900720-00012	1	O-RING 12	P-12		
6	+	C535-000001	1	FIXTURE,BLADE			
11	++	610352-56830	1	PLATE, CUP			
14	++	C535-000011	1	FIXTURE,BLADE			
7	+	900702-00032	1	CIRCLIP 32	CR-32		
8	+	610444-56830	1	WASHER			
9	+	900812-06201	1	BEARING, BALL 6201	6201DDU(LLU)		
10	+	610310-56831	1	SHAFT, P.T.O.			
12	+	610300-40830	1	GEAR SET			
13	+	900810-00626	1	BEARING, BALL 626	626		
15	+	610473-52131	1	SPRING			
16	+	900603-50008	1	WASHER	8.5*18*0.8T		
17	+	610434-50031	1	BOLT 8* 8	M8*8		
18	+	900242-05010	1	SCREW 5*10	5*10		
19	+	91118-06025	1	BOLT			
20	+	900855-06900	1	BEARING, BALL 6900	6900		
21	+	900858-06900	1	BEARING, BALL 6900Z	6900Z		
22	+	900702-00022	1	CIRCLIP 22	CR-22		
23	+	900706-00010	1	CIRCLIP 10	WR-10		
24	+	900605-00005	1	WASHER, SPRING 5	5		
25	+	900600-00005	1	WASHER 5	5		
32		P021-014310	1	SAW,BUSH CUTTER	230*T3.0		

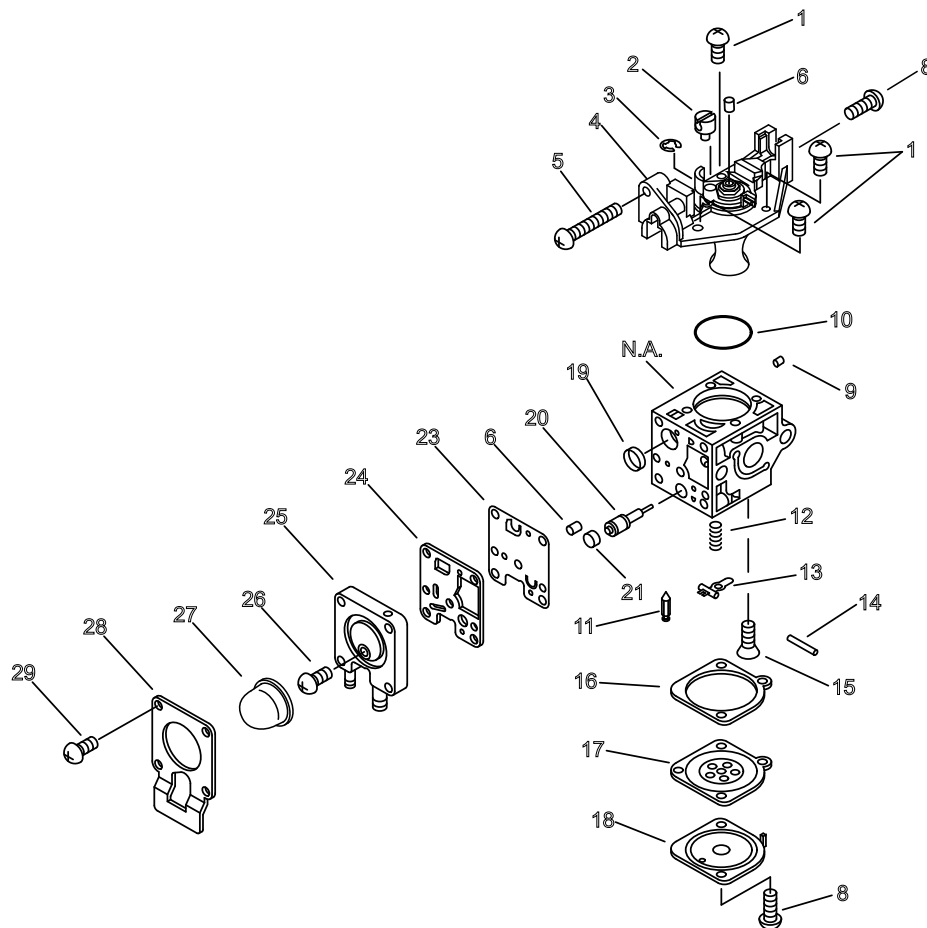
9. Gear Case(U)



KEY	LV	PART NUMBER	Q'TY	DESCRIPTION	REMARKS	NOTE1	NOTE2
33		X495-000250	1	SCABBARD,BLADE	9"/10" 3 CUTTER		

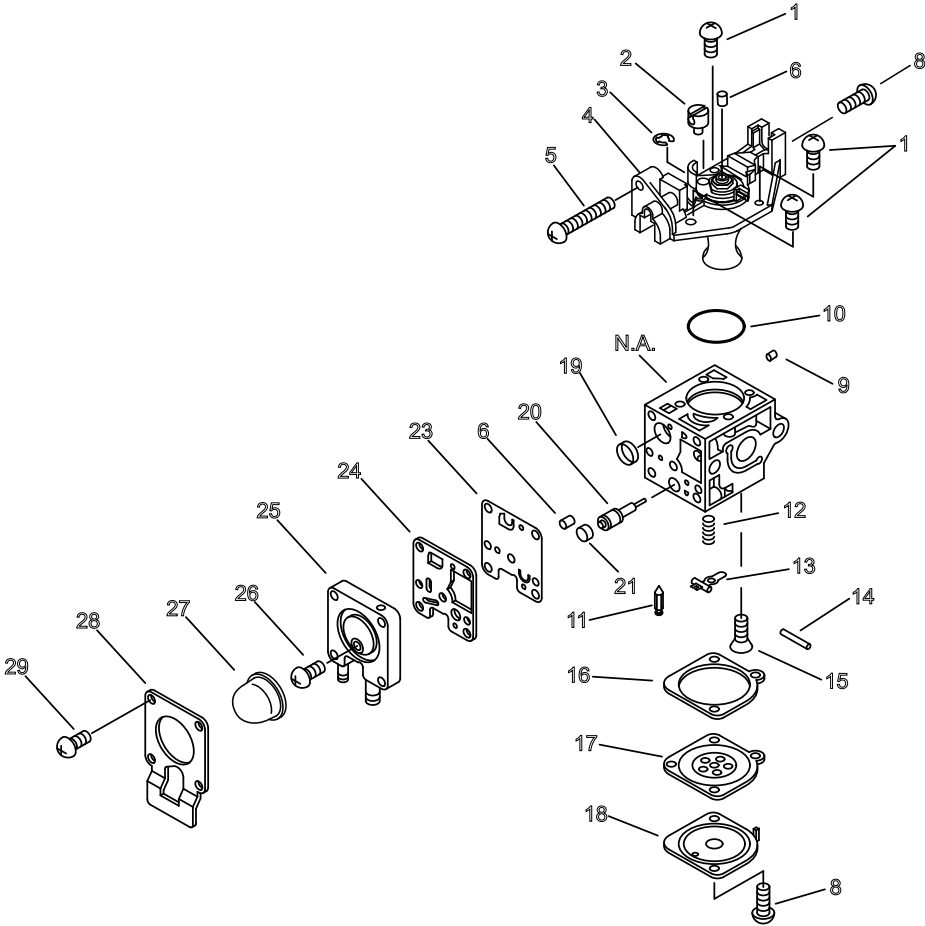


## 10. Carburetor



KEY	LV	PART NUMBER	Q'TY	DESCRIPTION	REMARKS	NOTE1	NOTE2
		A021-001690	1	CARBURETOR,DIAPHRAGM	ZAMA RB-X1746		
1	+	125344-13931	3	SCREW			
2	+	P005-001240	1	POST			
3	+	P005-000190	1	E-RING			
4	+	P005-002050	1	COVER ASY, ROTOR			
5	+	P005-000100	1	SCREW,THROTTLEADJUST			
6	+	P005-001270	2	PLUG, H AJUST SCREW			
8	+	125344-52130	3	SCREW			
9	+	P005-001000	1	ROLLER, GUIDE			
10	+	P005-000280	1	O-RING			
11	+	125337-08260	1	VALVE, INLET NEEDLE			
12	+	P005-000940	1	SPRING, METER. LEVER			
13	+	125323-08260	1	ARM, VALVE			
14	+	125338-13930	1	PIN, METERING ARM			
15	+	125339-42030	1	SCREW			
16	+	P005-000200	1	GASKET, METERING			
17	+	P005-001780	1	DIAPHRAGM			
18	+	125342-52130	1	COVER, DIAPHRAGM			
19	+	P005-000010	1	STRAINER			
20	+	P005-001260	1	SCREW,MAINN MIXTURE			
21	+	P005-001250	1	RETAINER,PLUG BALL			
23	+	P005-000510	1	DIAPHRAGM, PUMP			
24	+	P005-000520	1	GASKET, PUMP			
25	+	P005-001890	1	BASE, ASY PRIMER			
26	+	P005-000270	1	SCREW			

10. Carburetor



KEY	LV	PART NUMBER	Q'TY	DESCRIPTION	REMARKS	NOTE1	NOTE2
27	+	125381-46730	1	PUMP, PRIMING			
28	+	P005-000250	1	RETAINER			
29	+	P005-001900	4	SCREW			

**Index**

<b>Patrs Number</b>	<b>Key No.</b>	<b>Patrs Number</b>	<b>Key No.</b>	<b>Patrs Number</b>	<b>Key No.</b>
100013-11520	1 - 6	610281-54131	5 - 5	900603-50008	8 - 16
100014-11520	1 - 7	610300-40830	8 - 12	900603-50008	9 - 16
100015-04630	1 - 8	610300-40830	9 - 12	900605-00005	8 - 24
100204-52132	1 - 10	610310-56831	8 - 10	900605-00005	9 - 24
100212-42031	1 - 13	610310-56831	9 - 10	900701-00012	1 - 26
100215-03930	1 - 22	610313-52132	8 - 14	900702-00022	8 - 22
100242-42030	1 - 14	610313-52932	8 - 6	900702-00022	9 - 22
125323-08260	10 - 13	610314-52130	9 - 4	900702-00028	1 - 24
125337-08260	10 - 11	610320-52130	9 - 2	900702-00032	8 - 7
125338-13930	10 - 14	610352-56830	8 - 11	900702-00032	9 - 7
125339-42030	10 - 15	610352-56830	9 - 11	900706-00010	8 - 23
125342-52130	10 - 18	610434-50031	8 - 17	900706-00010	9 - 23
125344-13931	10 - 1	610434-50031	9 - 17	900720-00012	8 - 5
125344-52130	10 - 8	610444-56830	8 - 8	900720-00012	9 - 5
125381-46730	10 - 27	610444-56830	9 - 8	900807-06001	1 - 23
129011-52730	3 - 7	610473-52131	8 - 15	900810-00626	8 - 13
130017-44331	3 - 2	610473-52131	9 - 15	900810-00626	9 - 13
130310-54130	3 - 12	610910-55230	1 - 30	900812-06201	8 - 9
131016-55830	4 - 14	610922-27432	1 - 28	900812-06201	9 - 9
131205-07320	4 - 7	610923-55230	1 - 29	900855-06900	8 - 20
132012-56030	4 - 12	699012-03330	5 - 14	900855-06900	9 - 20
132013-09820	4 - 8	699013-56830	7 - 15	900858-06900	8 - 21
145862-40630	3 - 19	699229-56830	9 - 3	900858-06900	9 - 21
156635-43130	1 - 16	890121-52730	3 - 10	91118-06025	9 - 19
159112-09961	6 - 13	890152-04930	5 - 9	94035-36201	1 - 12
159116-21231	1 - 18	890152-04930	6 - 32	A011-000101	1 - 1
175000-52734	2 - 25	890617-43130	5 - 1	A021-001690	10 -
175018-52131	2 - 27	890617-43130	6 - 27	A021-001690	3 - 25
177202-12220	2 - 20	897518-01131	7 - 4	A051-001380	2 - 10
177215-44430	2 - 18	898510-07130	7 - 6	A101-000090	1 - 5
177218-44330	2 - 21	900162-05022	1 - 9	A127-000160	1 - 17
177220-42030	2 - 15	900162-05028	1 - 15	A130-000540	1 - 2
177234-12220	2 - 22	900242-05010	9 - 18	A160-001090	1 - 33
177236-44330	2 - 14	900242-05014	5 - 16	A172-000860	1 - 21
178013-52630	5 - 28	900253-04025	5 - 6	A232-000480	3 - 9
178043-42230	5 - 24	900500-00005	3 - 4	A313-000600	3 - 17
178090-52632	5 - 27	900500-00005	5 - 4	A320-000480	3 - 23
178121-08550	5 - 35	900500-00005	5 - 26	A350-000801	4 - 1
178121-08550	6 - 30	900500-00005	5 - 26	A356-000030	4 - 10
224924-52130	6 - 14	900500-00005	6 - 4	A365-000060	4 - 15
301001-46731	5 - 33	900502-00006	5 - 38	A409-000210	2 - 1
301200-29430	5 - 15	900502-00006	6 - 37	A411-000130	2 - 2
301207-08930	5 - 12	900518-00006	5 - 37	A425-000000	2 - 6
301305-24330	5 - 34	900518-00006	6 - 36	A426-000010	2 - 8
605014-54230	6 - 23	900565-00005	7 - 12	A427-000013	2 - 7
610018-27830	5 - 7	900565-50008	6 - 20	A440-001230	6 - 9
610018-27830	6 - 29	900600-00005	8 - 25	A440-001240	5 - 25
610206-28230	5 - 32	900600-00005	9 - 25	A556-000530	1 - 25
610206-28230	6 - 28	900603-00005	4 - 4	C062-000192	6 - 31

**Index**

<b>Patrs Number</b>	<b>Key No.</b>	<b>Patrs Number</b>	<b>Key No.</b>	<b>Patrs Number</b>	<b>Key No.</b>
C400-000000	6 - 25	P021-016240	7 - 7	V805-000150	7 - 13
C403-000031	6 - 26	P022-000710	8 - 48	V805-000160	1 - 31
C403-000140	5 - 29	P022-001220	8 - 43	V805-000160	3 - 3
C423-000041	6 - 33	P022-001250	8 - 44	V805-000160	4 - 3
C450-000110	5 - 23	P022-001260	8 - 46	V805-000160	7 - 16
C450-000270	6 - 7	P022-003310	8 - 42	V805-000170	5 - 19
C460-000111	6 - 5	P022-003330	8 - 47	V805-000170	5 - 31
C461-000000	5 - 20	P022-006190	8 - 45	V805-000170	6 - 21
C461-000010	5 - 21	P022-023170	2 - 12	V805-000190	3 - 14
C463-000020	6 - 34	P022-023360	2 - 13	V805-000240	7 - 10
C535-000001	9 - 6	V100-000160	1 - 3	V806-000020	8 - 19
C535-000011	9 - 14	V103-000480	3 - 1	X047-000270	8 - 40
C550-000080	7 - 8	V103-000490	3 - 5	X495-000250	9 - 33
C550-000090	7 - 14	V104-000360	3 - 20	X502-000330	2 - 24
C550-000100	7 - 11	V104-000850	3 - 22	X505-002310	1 - 37
C554-000000	7 - 9	V137-000030	4 - 5	X547-001440	1 - 36
P005-000010	10 - 19	V150-000371	3 - 16	X602-000020	7 - 3
P005-000100	10 - 5	V299-000110	6 - 24	X605-000050	7 - 1
P005-000190	10 - 3	V299-000250	3 - 11		
P005-000200	10 - 16	V332-000000	8 - 41		
P005-000250	10 - 28	V347-000000	3 - 15		
P005-000270	10 - 26	V353-000231	4 - 2		
P005-000280	10 - 10	V430-002290	5 - 36		
P005-000510	10 - 23	V430-002330	6 - 35		
P005-000520	10 - 24	V452-000120	5 - 22		
P005-000940	10 - 12	V452-000350	6 - 6		
P005-001000	10 - 9	V452-000360	6 - 8		
P005-001240	10 - 2	V471-001210	4 - 9		
P005-001250	10 - 21	V471-001230	4 - 6		
P005-001260	10 - 20	V475-004160	2 - 3		
P005-001270	10 - 6	V485-001120	2 - 4		
P005-001780	10 - 17	V622-000020	1 - 11		
P005-001890	10 - 25	V804-000010	6 - 2		
P005-001900	10 - 29	V804-000060	1 - 27		
P005-002050	10 - 4	V804-000060	2 - 19		
P021-002861	7 - 5	V804-000070	2 - 5		
P021-007712	1 - 4	V804-000080	3 - 21		
P021-012210	4 - 13	V805-000000	1 - 34		
P021-012612	9 - 1	V805-000000	3 - 24		
P021-012870	3 - 6	V805-000050	5 - 3		
P021-014310	9 - 32	V805-000050	6 - 3		
P021-015580	3 - 13	V805-000060	5 - 18		
P021-016170	1 - 20	V805-000100	3 - 8		
P021-016180	5 - 2	V805-000130	8 - 18		
P021-016190	5 - 17	V805-000140	6 - 18		
P021-016200	5 - 30	V805-000150	1 - 19		
P021-016210	6 - 1	V805-000150	1 - 35		
P021-016220	6 - 17	V805-000150	3 - 26		
P021-016230	6 - 19	V805-000150	5 - 13		

# YAMABIKO CORPORATION

7-2 SUEHIROCHO 1-CHOME, OHME, TOKYO 198-8760, JAPAN  
PHONE: 81-428-32-6118. FAX: 81-428-32-6145.

