



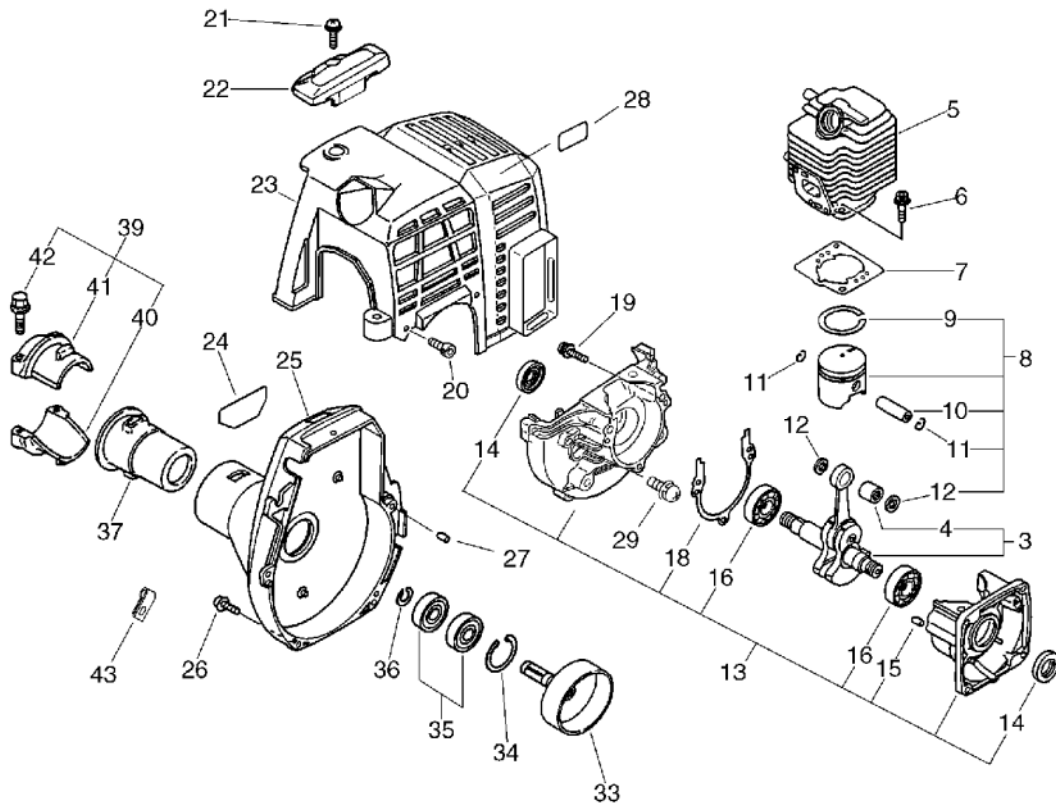
PARTS CATALOGUE

GRASS-TRIMMER / BRUSHCUTTER

SRM-2306/U(37)

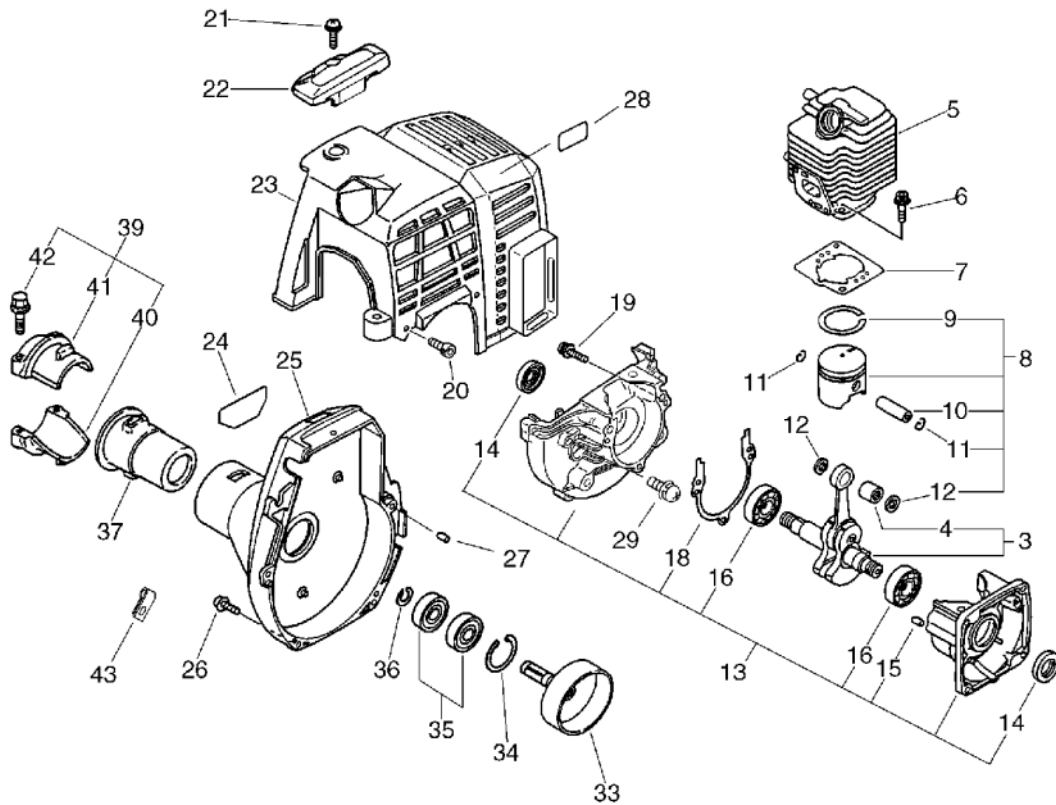
37008415 -

1. CYLINDER, CRANKCASE, PISTON



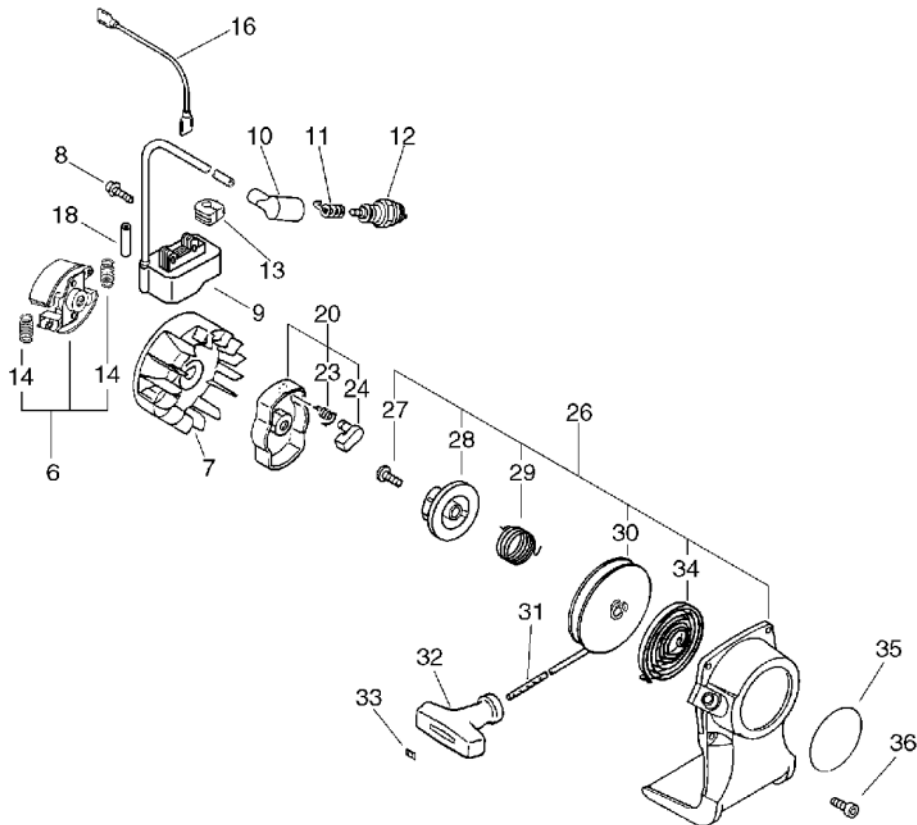
KEY	LV	PART NUMBER	Q'TY	DESCRIPTION	REMARKS	NOTE1	NOTE2
3		A011-000101	1	CRANKSHAFT,ASM			
4	+	V553-000060	1	BEARING,NEEDLE 8	HK0810FMV4		
5		A130-000540	1	CYLINDER			
6		900162-05022	2	BOLT, H.S. 5*22	5*22 W,SW		
7		V100-000160	1	GASKET,CYL			
8		P021-007712	1	PISTON KIT			
9	+	A101-000090	1	RING,PISTON			
10	+	100013-11520	1	PIN, PISTON			
11	+	100015-04630	2	CIRCLIP, PISTON PIN			
12	+	100014-11520	2	SPACER, PISTON PIN			
13		100204-52132	1	CRANKCASE KIT			
13		100204-52133	1	CRANKCASE KIT			
14	+	100212-42031	2	OILSEAL	ISCD 12*22*4.5		
15	+	100215-03930	2	PIN, DOWEL			
16	+	94035-36201	2	BEARING BALL	6201X3JR2C3		
18	+	100242-42030	1	GASKET, CRANKCASE			
19	+	900162-05028	3	BOLT, H.S. 5*28	5*28 W,SW		
20		V202-000090	2	BOLT, 4	4*16		
21		900238-05016	1	SCREW 5*16	5*16		
22		A162-000160	1	GUARD, TOP			
23		A160-000890	1	COVER, CYLINDER			
24		X547-001220	1	LABEL, ECHO	SRM-2306		
25		P021-014540	1	COVER, FAN ASSY			
26		V202-000090	3	BOLT, 4	4*16		
27		100215-03930	2	PIN, DOWEL			

1. CYLINDER, CRANKCASE, PISTON



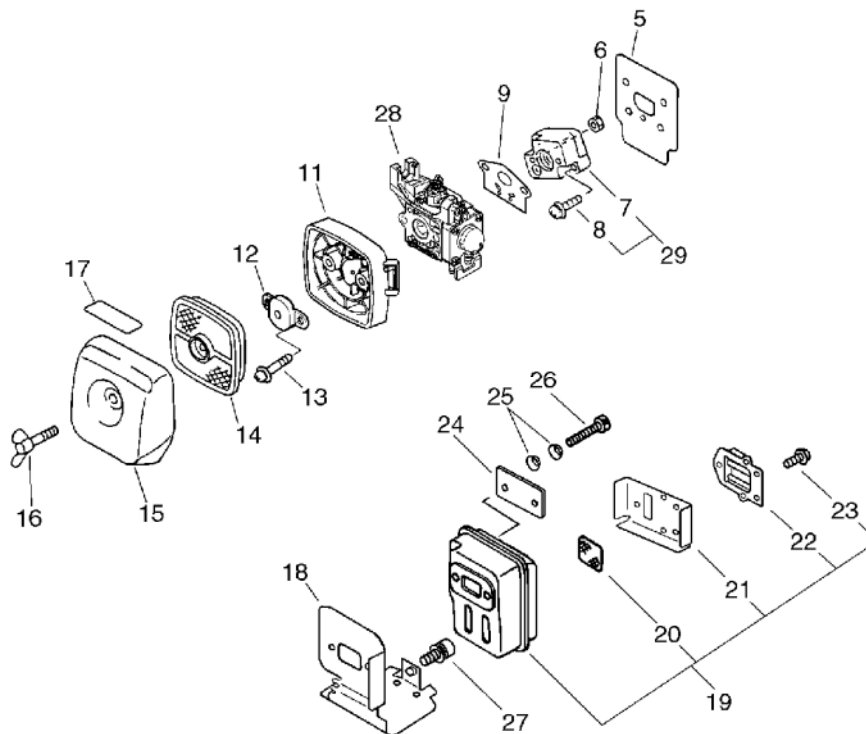
KEY	LV	PART NUMBER	Q'TY	DESCRIPTION	REMARKS	NOTE1	NOTE2
28		X505-002310	1	LABEL,CAUTION	HOT CAUTION		
33		A556-000530	1	DRUM, CLUTCH			
34		900702-00028	1	CIRCLIP 28	CR-28		
35		900807-06001	2	BEARING, BALL 6001	6001V(LB)		
36		900701-00012	1	CIRCLIP 12	CS-12		
37		610910-55230	1	CUSHION			
39		P021-014530	1	HOLDER KIT			
40	+	610923-55230	1	HOLDER			
41	+	610922-27432	1	HOLDER			
42	+	91118-05025	2	BOLT			
43		132112-22031	1	CLIP, FUEL PIPE			
44		900238-05012	1	SCREW 5*12	5*12		

2. STARTER, MAGNETO



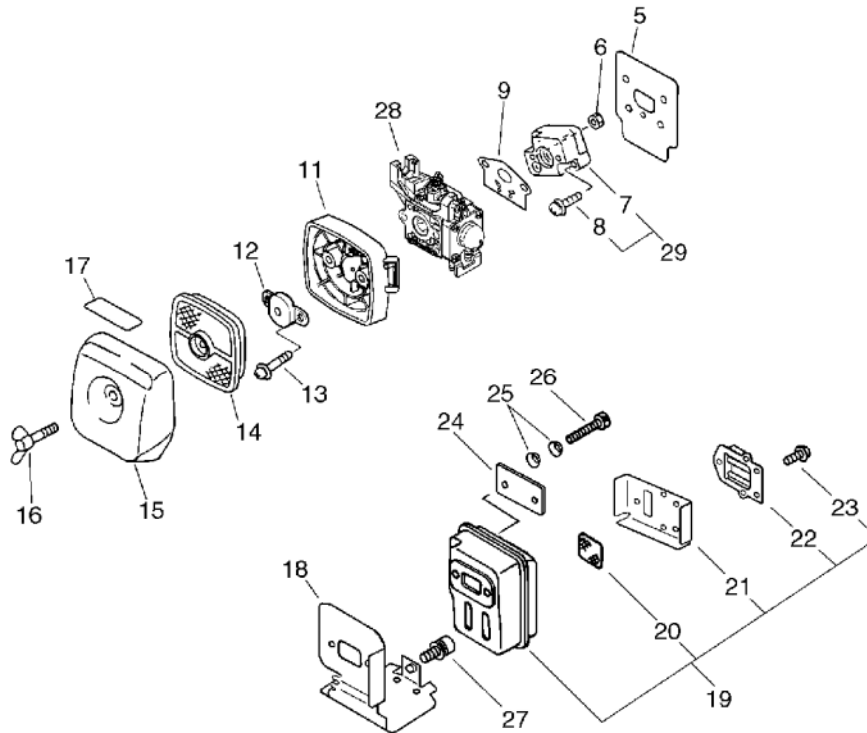
KEY	LV	PART NUMBER	Q'TY	DESCRIPTION	REMARKS	NOTE1	NOTE2
6		175000-52734	1	CLUTCH ASY			
14	+	175018-52131	2	SPRING, CLUTCH			
7		A409-000210	1	ROTOR,MAGNETO			
8		900162-04020	2	BOLT, H.S. 4*20	4*20 W,SW		
9		A411-000140	1	COIL,IGNITION			
10		159012-03433	1	CAP, SPARK PLUG			
11		159011-03432	1	COIL, SPARK PLUG			
12		A425-000000	1	SPARKPLUG	BPMR8Y		
13		156112-40630	1	GROMMET			
16		V485-001020	1	LEAD	L240 #250 #187		
18		V475-003960	1	TUBE			
20		177202-44331	1	PAWL ASM., STARTER			
23	+	177234-12220	1	SPRING, PAWL			
24	+	177218-44330	1	PAWL, STARTER	BLACK		
26		177200-54130	1	STARTER ASSY			
27	+	177236-44330	1	SCREW			
29	+	P022-006210	1	DRUM, STARTER			
30	+	177226-44330	1	ROPE, STARTER	3*1,000		
31	+	177227-42030	1	GUIDE, ROPE			
32	+	177228-06530	1	GRIP, STARTER			
33	+	177220-42030	1	SPRING, REWIND			
35		V202-000090	2	BOLT,4	4*16		
36		X502-000330	1	LABEL,ECHO	ECHO		

3. AIR CLEANER, CARBURETOR, MUFFLER



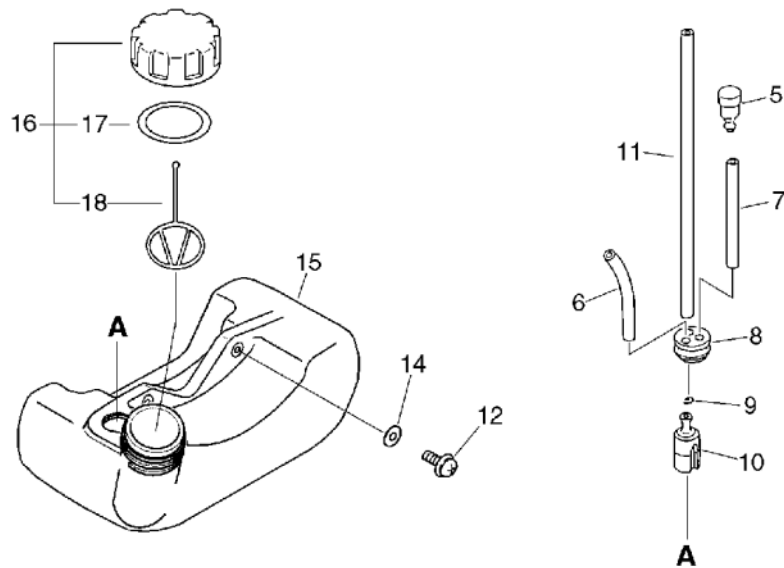
KEY	LV	PART NUMBER	Q'TY	DESCRIPTION	REMARKS	NOTE1	NOTE2
5		130010-42032	1	GASKET,INTAKE			
6		900500-00005	2	NUT 5	5		
7		130017-44331	1	INSULATOR			
8		900238-05022	2	SCREW 5*22	5*22		
9		130010-13410	1	GASKET, INTAKE			
28		A021-001690	1	CARBURETOR,DIAPHRAGM	ZAMA RB-X1746		
11		P021-004480	1	CASE, AIR CLEANER			
12		129011-52730	1	PLATE, PREVENT			
13		900220-05065	2	SCREW 5*65	5*65		
14		130310-54130	1	FILTER, AIR			
14		A226-001410	1	ELEMENT,AIR FILTER			
15		130313-05863	1	LID, AIR CLEANER			
16		210417-52730	1	BOLT, WING	5*20		
17		890332-52730	1	LABEL, CHOKE			
18		V104-000500	1	GASKET,EXHAUST			
19		P021-008101	1	MUFFLER ASY			
19		P021-016640	1	MUFFLER ASY			
19		P021-016641	1	MUFFLER ASY			
20	+	145862-40630	1	SCREEN, MUFFLER			
21	+	V104-000360	1	GASKET,EXHAUST			
21	+	V104-001760	1	GASKET,EXHAUST			
22	+	A313-000600	1	GUIDE,EXH			
23	+	91367-04010	5	SCREW	4*10/SW(SUS)		
24		V150-000371	1	PLATE,EYE			
25		V347-000000	4	WASHER,CONICAL			

3. AIR CLEANER, CARBURETOR, MUFFLER



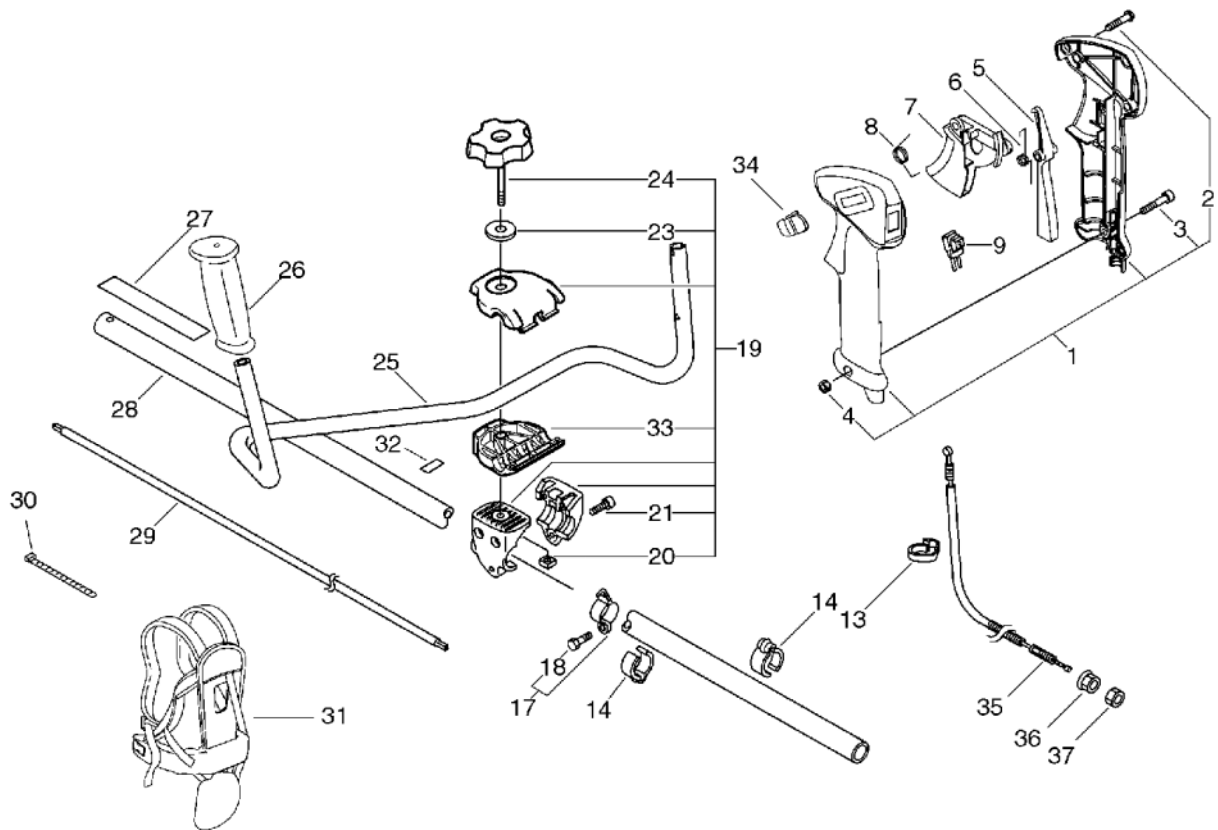
KEY	LV	PART NUMBER	Q'TY	DESCRIPTION	REMARKS	NOTE1	NOTE2
26		900105-05055	2	BOLT, H.S. 5*55	5*55		
27		91121-04008	1	BOLT, FLANGE	M4*8 10.9		

4. FUEL TANK



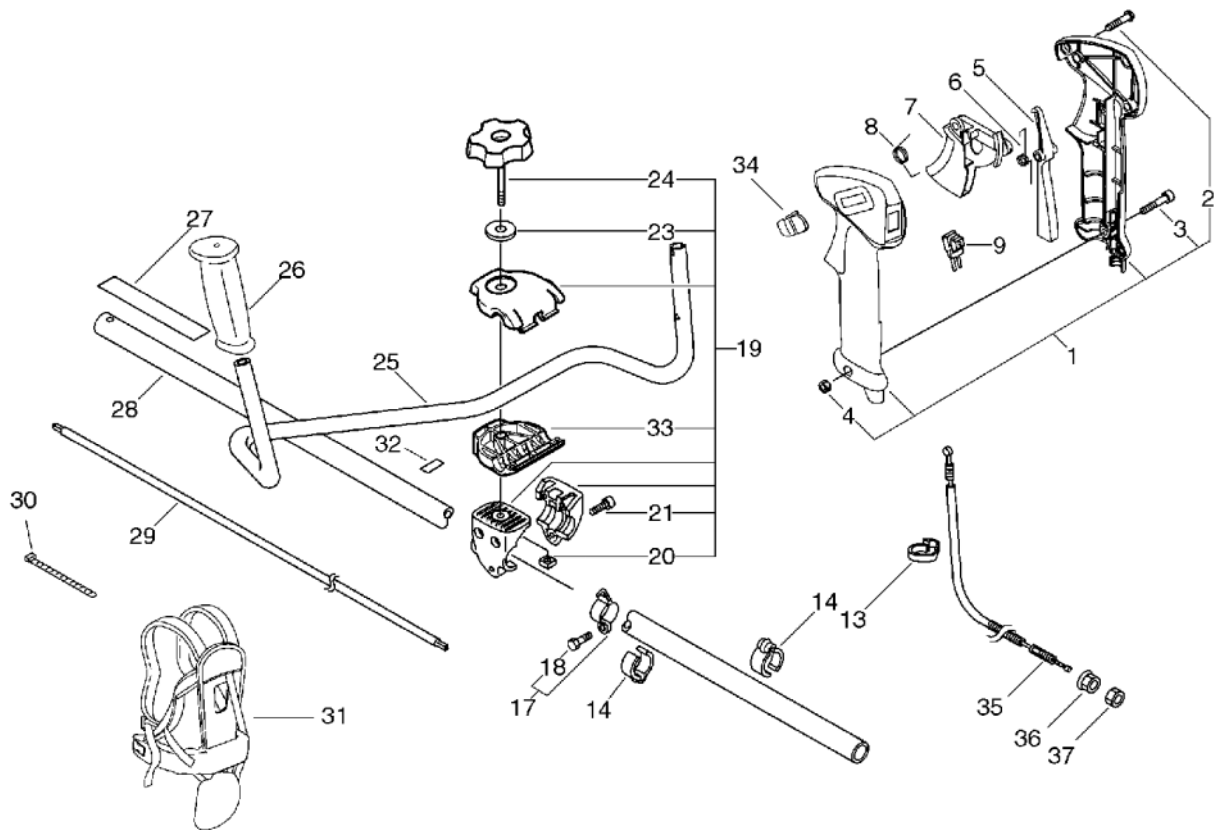
KEY	LV	PART NUMBER	Q'TY	DESCRIPTION	REMARKS	NOTE1	NOTE2
5		A356-000030	1	VALVE,CHECK			
6		132012-56030	1	PIPE	3*6*80 YL		
7		V471-001200	1	PIPE	3*5*70 NBR		
8		132115-46730	1	GROMMET, FUEL			
9		132013-09820	1	CLIP	6MM		
10		131205-07320	1	STRAINER, FUEL			
11		V471-002130	1	PIPE	3*5*220		
12		91118-05020	2	BOLT	CM-5*20		
14		900603-00005	2	WASHER 5	5.5*12*0.8		
15		A350-000480	1	TANK, FUEL			
16		P021-012210	1	CAP,FUEL ASY			
17	+	131016-55830	1	GASKET, FUEL CAP			
18	+	A365-000060	1	CONNECTOR,CAP	L=123		

5. U-HANDLE



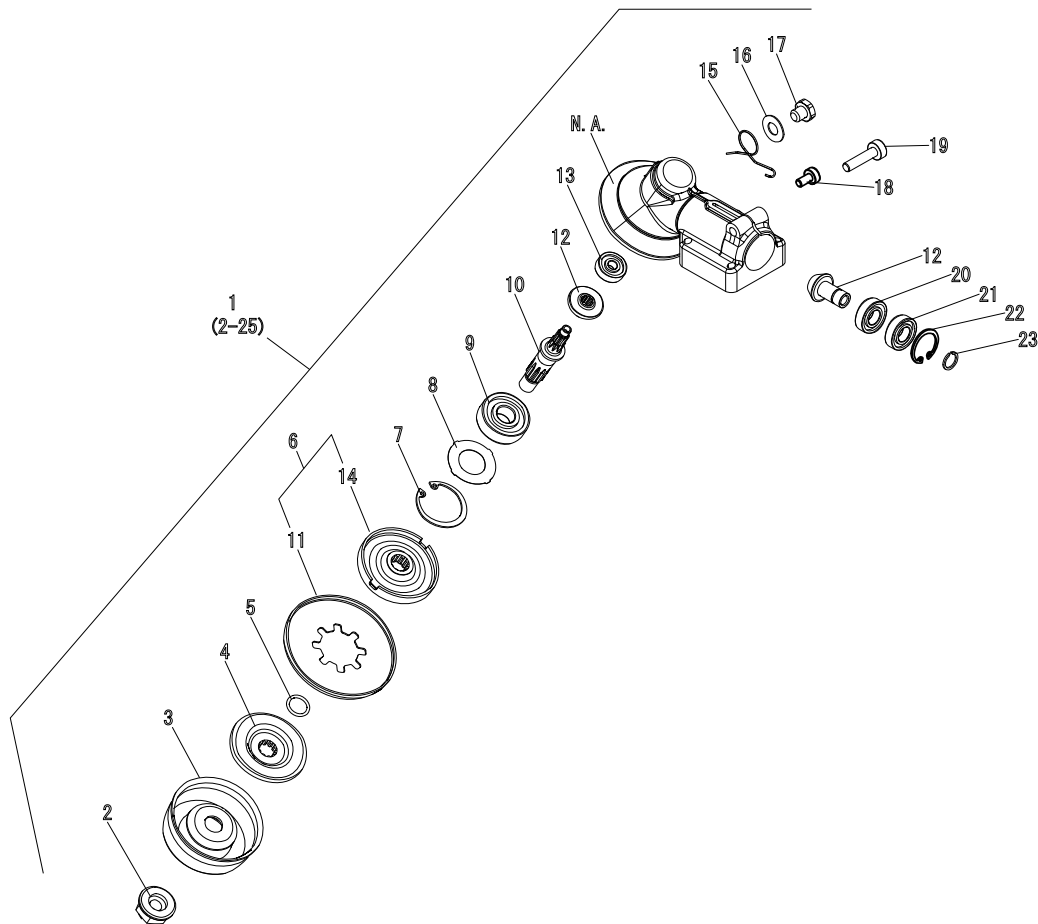
KEY	LV	PART NUMBER	Q'TY	DESCRIPTION	REMARKS	NOTE1	NOTE2
1		P021-014090	1	GRIP ASY,F-HANDLE			
2	+	900256-04016	3	SCREW 4*16			
3	+	91119-05030	1	BOLT			
4	+	900500-00005	1	NUT 5	5		
5		C460-000111	1	LOCKOUT, THROTTLE	70MM		
6		V452-000350	1	SPRING,TORSION			
7		C450-000270	1	CONTROL, THROTTLE			
8		V452-000360	1	SPRING,TORSION			
9		A440-001121	1	SWITCH, ON OFF			
13		159112-09961	1	CLIP			
14		224924-52130	2	CLIP	25MM		
17		P021-013000	1	RING, HARNESS ASSY	SRM-2655SI		
18	+	91119-05012	1	BOLT			
19		P021-012821	1	FIXTURE,ASY HANDLE	SRM-2655SI		
20	+	900565-50008	1	NUT			
21	+	91118-05030	3	BOLT			
23	+	605014-54230	1	WASHER			
24	+	V299-000110	1	KNOB,FASTENER			
33	+	C423-000042	1	FIXTURE,HANDLE			
25		C400-000000	1	HANDLE,FRONT			
26		C403-000031	1	GRIP,HANDLE			
27		890617-43130	1	LABEL,CAUTION			
28		610206-28230	1	HOUSING ASS'Y D,SFT.			
29		610018-27830	1	SHAFT, DRIVE			
30		178121-08550	1	BAND	CV-100		
31		C062-000192	1	HARNESS,SHOULDER			

5. U-HANDLE



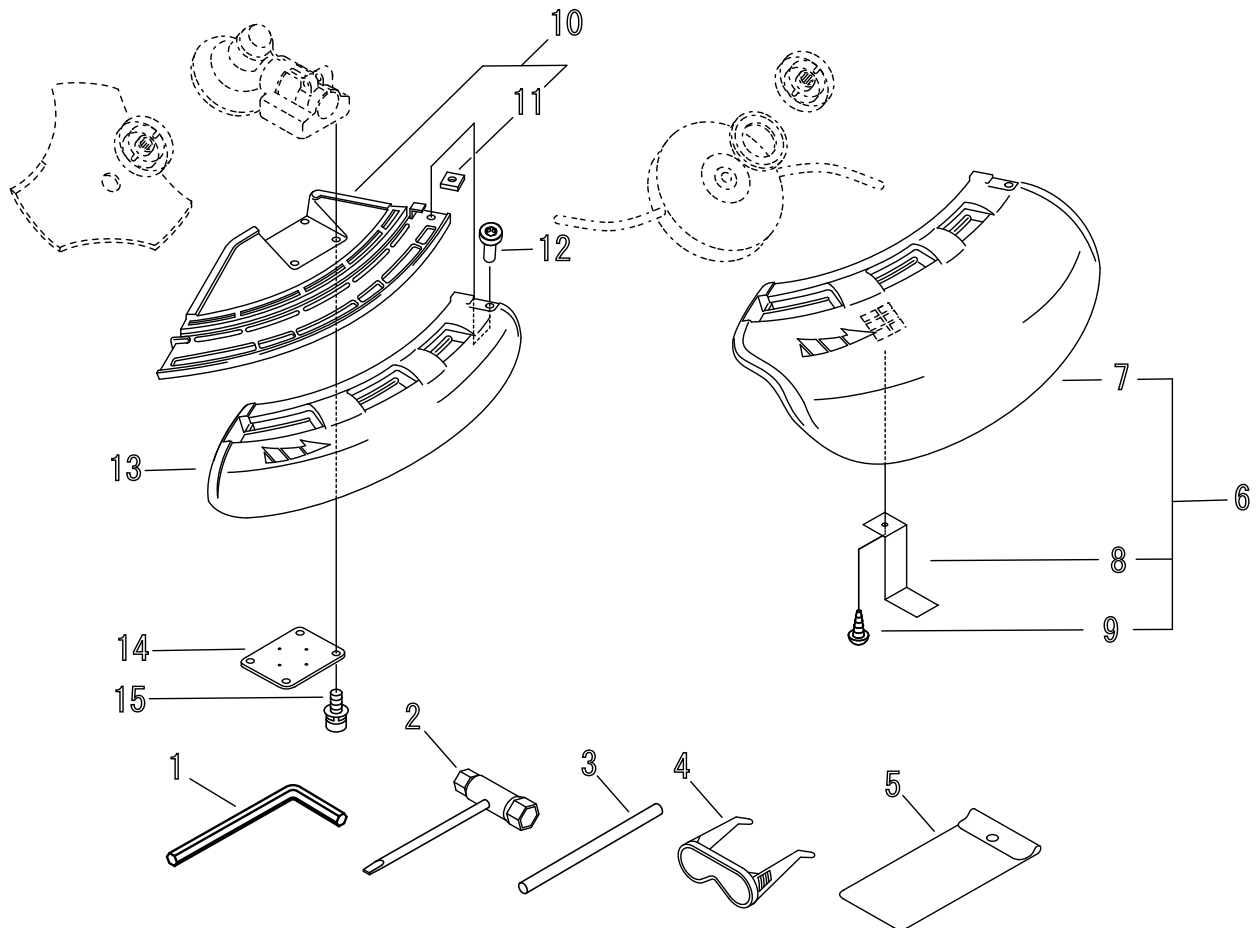
KEY	LV	PART NUMBER	Q'TY	DESCRIPTION	REMARKS	NOTE1	NOTE2
32		890152-04930	1	LABEL, CAUTION			
34		C463-000020	1	KNOB, LATCH			
35		V430-002330	1	CABLE, BOWDEN	960+90		
36		900518-00006	1	NUT, FLANGE	6		
37		900502-00006	1	NUT 6 (3N)	3N6		
38		V202-000090	1	BOLT, 4	4*16		

6. GEAR CASE



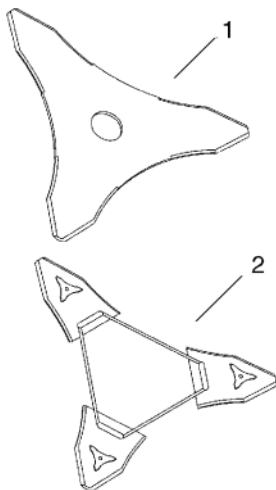
KEY	LV	PART NUMBER	Q'TY	DESCRIPTION	REMARKS	NOTE1	NOTE2
1		P021-012612	1	CASE,GEAR			
1		P021-012613	1	CASE,GEAR			
2	+	610320-52130	1	NUT 10			
3	+	699229-56830	1	PLATE, COVER			
4	+	610314-52130	1	PLATE, ADAPTER (L)			
5	+	900720-00012	1	O-RING 12	P-12		
6	+	610313-52932	1	FIXTURE,BLADE			
7	++	610352-56830	1	PLATE, CUP			
8	++	610313-52132	1	FIXTURE,BLADE			
9	+	900702-00032	1	CIRCLIP 32	CR-32		
10	+	610444-56830	1	WASHER			
11	+	900812-06201	1	BEARING, BALL 6201	6201DDU(LLU)		
12	+	610310-56831	1	SHAFT, P.T.O.			
13	+	610300-40830	1	GEAR SET			
14	+	94060-00626	1	BEARING, BALL			
15	+	V452-001310	1	SPRING,TORSION			
16	+	900603-50008	1	WASHER	8.5*18*0.8T		
17	+	610434-50031	1	BOLT 8* 8	M8*8		
18	+	900242-05010	1	SCREW 5*10			
19	+	91118-06025	1	BOLT			
20	+	94060-06900	1	BEARING BALL	WEPON BB6900		
21	+	94063-06900	1	BEARING BALL	WEPON BB6900Z		
22	+	900702-00022	1	CIRCLIP 22	CR-22		
23	+	900706-00010	1	CIRCLIP 10	WR-10		

7. SHIELD



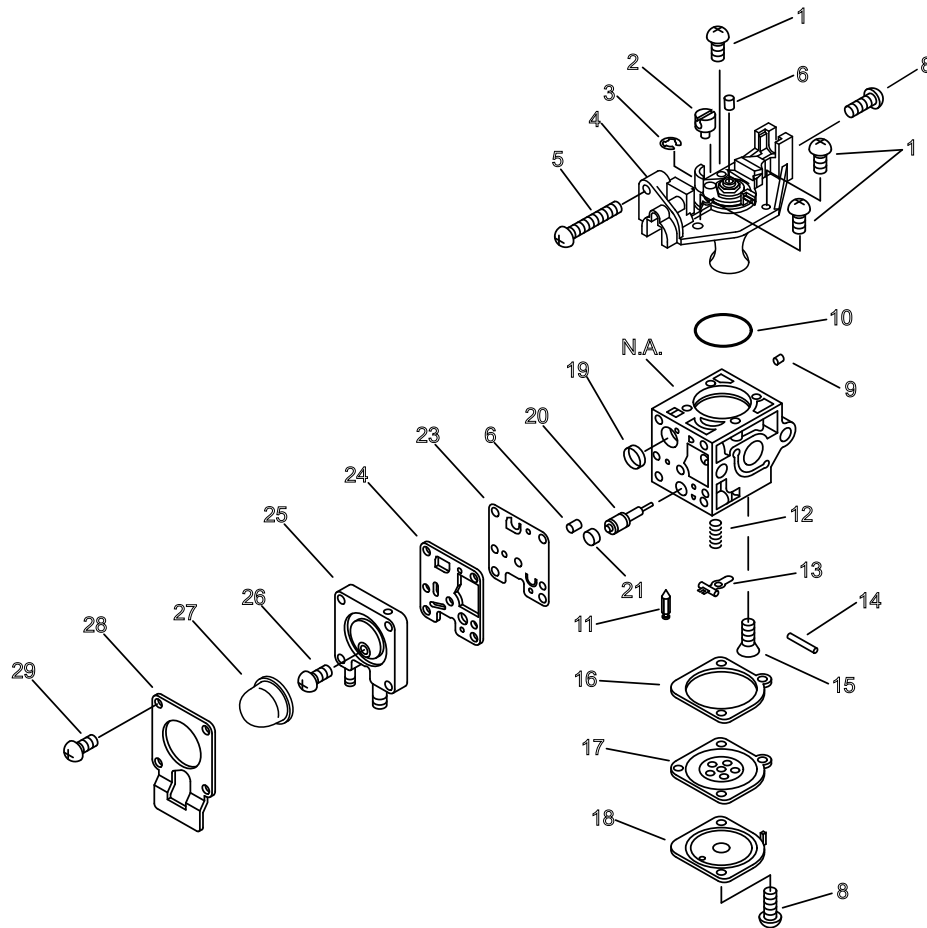
KEY	LV	PART NUMBER	Q'TY	DESCRIPTION	REMARKS	NOTE1	NOTE2
1		895610-00130	1	L-WRENCH (4MM)			
2		X602-000020	1	TOOL,WRENCH	17*19 L200		
3		X606-000080	1	TOOL,BAR	5*120		
4		X690-000050	1	GOGGLE	GOGGLE + NOTE		
5		898510-07130	1	BAG, TOOL			
6		P021-002620	1	SHIELD,BLADE(W/KNIFE)			
7	+	C550-000080	1	SHIELD,BLADE			
8	+	C554-000000	1	KNIFE,CORD			
9	+	900252-05012	1	SCREW 5*12			
10		C550-000100	1	SHIELD,BLADE			
11	+	900565-00005	1	NUT	5		
12		900242-05018	1	SCREW 5*18	5*18		
13		C550-000090	1	SHIELD,BLADE			
14		699013-56830	1	PLATE, SHIELD			
15		91118-05025	4	BOLT			

8. CUTTER



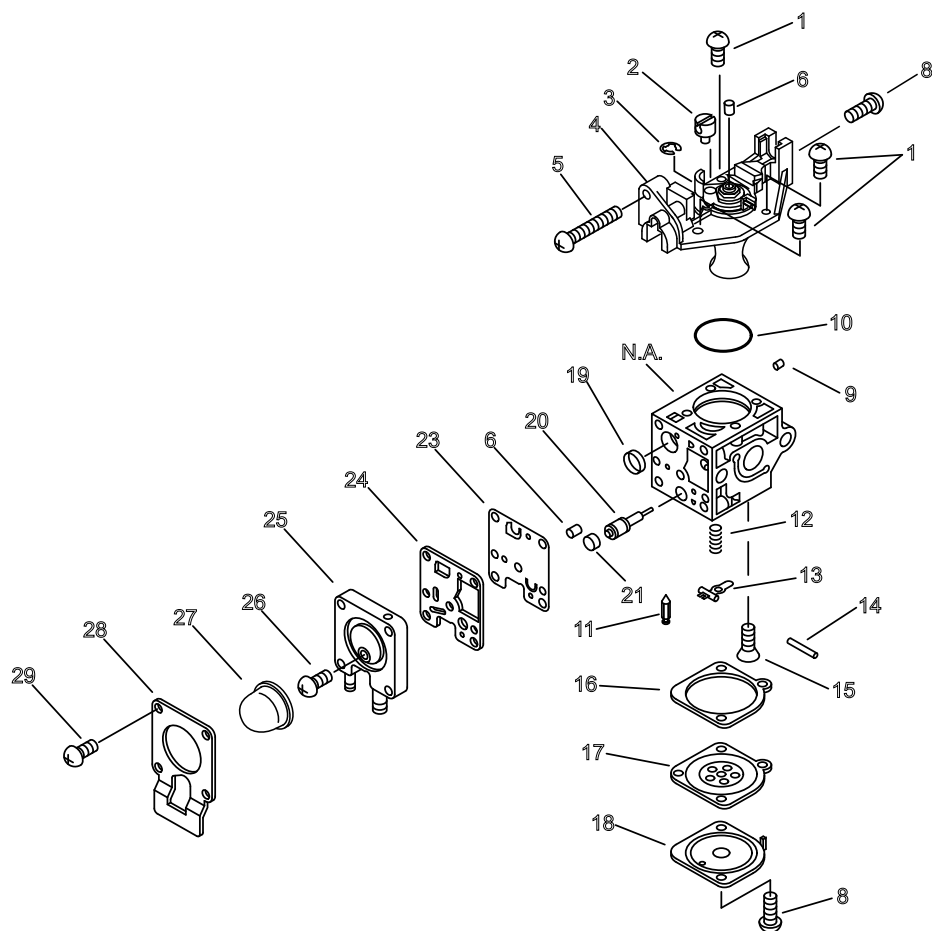
KEY	LV	PART NUMBER	Q'TY	DESCRIPTION	REMARKS	NOTE1	NOTE2
1		P021-014310	1	SAW,BUSH CUTTER	230*T3.0		
2		X495-000280	1	SCABBARD,BLADE	9", 10" 3 CUTTER		

9. CARBURETOR



KEY	LV	PART NUMBER	Q'TY	DESCRIPTION	REMARKS	NOTE1	NOTE2
		A021-001690	1	CARBURETOR,DIAPHRAGM	ZAMA RB-X1746		
1	+	125344-13931	3	SCREW			
2	+	P005-001240	1	POST			
3	+	P005-000190	1	E-RING			
4	+	P005-002050	1	COVER ASY, ROTOR			
5	+	P005-000100	1	SCREW,THROTTLADJUST			
6	+	P005-001270	2	PLUG, H AJUST SCREW			
8	+	125344-52130	3	SCREW			
9	+	P005-001000	1	ROLLER, GUIDE			
10	+	P005-000280	1	O-RING			
11	+	125337-08260	1	VALVE, INLET NEEDLE			
12	+	P005-000940	1	SPRING, METER. LEVER			
13	+	125323-08260	1	ARM, VALVE			
14	+	125338-13930	1	PIN, METERING ARM			
15	+	125339-42030	1	SCREW			
16	+	P005-000200	1	GASKET, METERING			
17	+	P005-001780	1	DIAPHRAGM			
18	+	125342-52130	1	COVER, DIAPHRAGM			
19	+	P005-000010	1	STRAINER			
20	+	P005-001260	1	SCREW,MAINN MIXTURE			
21	+	P005-001250	1	RETAINER,PLUG BALL			
23	+	P005-000510	1	DIAPHRAGM, PUMP			
24	+	P005-000520	1	GASKET, PUMP			
25	+	P005-001890	1	BASE, ASY PRIMER			
26	+	P005-000270	1	SCREW			

9. CARBURETOR



KEY	LV	PART NUMBER	Q'TY	DESCRIPTION	REMARKS	NOTE1	NOTE2
27	+	125381-46730	1	PUMP, PRIMING			
28	+	P005-000250	1	RETAINER			
29	+	P005-001900	4	SCREW			

Index

Patrs Number	Key No.	Patrs Number	Key No.	Patrs Number	Key No.
100013-11520	1 - 10	610018-27830	5 - 29	91118-05020	4 - 12
100014-11520	1 - 12	610206-28230	5 - 28	91118-05025	1 - 42
100015-04630	1 - 11	610300-40830	6 - 13	91118-05025	7 - 15
100204-52132	1 - 13	610310-56831	6 - 12	91118-05030	5 - 21
100204-52133	1 - 13	610313-52132	6 - 8	91118-06025	6 - 19
100212-42031	1 - 14	610313-52932	6 - 6	91119-05012	5 - 18
100215-03930	1 - 15	610314-52130	6 - 4	91119-05030	5 - 3
100215-03930	1 - 27	610320-52130	6 - 2	91121-04008	3 - 27
100242-42030	1 - 18	610352-56830	6 - 7	91367-04010	3 - 23
125323-08260	9 - 13	610434-50031	6 - 17	94035-36201	1 - 16
125337-08260	9 - 11	610444-56830	6 - 10	94060-00626	6 - 14
125338-13930	9 - 14	610910-55230	1 - 37	94060-06900	6 - 20
125339-42030	9 - 15	610922-27432	1 - 41	94063-06900	6 - 21
125342-52130	9 - 18	610923-55230	1 - 40	A011-000101	1 - 3
125344-13931	9 - 1	699013-56830	7 - 14	A021-001690	3 - 28
125344-52130	9 - 8	699229-56830	6 - 3	A021-001690	9 -
125381-46730	9 - 27	890152-04930	5 - 32	A101-000090	1 - 9
129011-52730	3 - 12	890332-52730	3 - 17	A130-000540	1 - 5
130010-13410	3 - 9	890617-43130	5 - 27	A160-000890	1 - 23
130010-42032	3 - 5	895610-00130	7 - 1	A162-000160	1 - 22
130017-44331	3 - 7	898510-07130	7 - 5	A226-001410	3 - 14
130310-54130	3 - 14	900105-05055	3 - 26	A313-000600	3 - 22
130313-05863	3 - 15	900162-04020	2 - 8	A350-000480	4 - 15
131016-55830	4 - 17	900162-05022	1 - 6	A356-000030	4 - 5
131205-07320	4 - 10	900162-05028	1 - 19	A365-000060	4 - 18
132012-56030	4 - 6	900220-05065	3 - 13	A409-000210	2 - 7
132013-09820	4 - 9	900238-05012	1 - 44	A411-000140	2 - 9
132112-22031	1 - 43	900238-05016	1 - 21	A425-000000	2 - 12
132115-46730	4 - 8	900238-05022	3 - 8	A440-001121	5 - 9
145862-40630	3 - 20	900242-05010	6 - 18	A556-000530	1 - 33
156112-40630	2 - 13	900242-05018	7 - 12	C062-000192	5 - 31
159011-03432	2 - 11	900252-05012	7 - 9	C400-000000	5 - 25
159012-03433	2 - 10	900256-04016	5 - 2	C403-000031	5 - 26
159112-09961	5 - 13	900500-00005	3 - 6	C423-000042	5 - 33
175000-52734	2 - 6	900500-00005	5 - 4	C450-000270	5 - 7
175018-52131	2 - 14	900502-00006	5 - 37	C460-000111	5 - 5
177200-54130	2 - 26	900518-00006	5 - 36	C463-000020	5 - 34
177202-44331	2 - 20	900565-00005	7 - 11	C550-000080	7 - 7
177218-44330	2 - 24	900565-50008	5 - 20	C550-000090	7 - 13
177220-42030	2 - 33	900603-00005	4 - 14	C550-000100	7 - 10
177226-44330	2 - 30	900603-50008	6 - 16	C554-000000	7 - 8
177227-42030	2 - 31	900701-00012	1 - 36	P005-000010	9 - 19
177228-06530	2 - 32	900702-00022	6 - 22	P005-000100	9 - 5
177234-12220	2 - 23	900702-00028	1 - 34	P005-000190	9 - 3
177236-44330	2 - 27	900702-00032	6 - 9	P005-000200	9 - 16
178121-08550	5 - 30	900706-00010	6 - 23	P005-000250	9 - 28
210417-52730	3 - 16	900720-00012	6 - 5	P005-000270	9 - 26
224924-52130	5 - 14	900807-06001	1 - 35	P005-000280	9 - 10
605014-54230	5 - 23	900812-06201	6 - 11	P005-000510	9 - 23

Index

Patrs Number	Key No.	Patrs Number	Key No.	Patrs Number	Key No.
P005-000520	9 - 24	X505-002310	1 - 28		
P005-000940	9 - 12	X547-001220	1 - 24		
P005-001000	9 - 9	X602-000020	7 - 2		
P005-001240	9 - 2	X606-000080	7 - 3		
P005-001250	9 - 21	X690-000050	7 - 4		
P005-001260	9 - 20				
P005-001270	9 - 6				
P005-001780	9 - 17				
P005-001890	9 - 25				
P005-001900	9 - 29				
P005-002050	9 - 4				
P021-002620	7 - 6				
P021-004480	3 - 11				
P021-007712	1 - 8				
P021-008101	3 - 19				
P021-012210	4 - 16				
P021-012612	6 - 1				
P021-012613	6 - 1				
P021-012821	5 - 19				
P021-013000	5 - 17				
P021-014090	5 - 1				
P021-014310	8 - 1				
P021-014530	1 - 39				
P021-014540	1 - 25				
P021-016640	3 - 19				
P021-016641	3 - 19				
P022-006210	2 - 29				
V100-000160	1 - 7				
V104-000360	3 - 21				
V104-000500	3 - 18				
V104-001760	3 - 21				
V150-000371	3 - 24				
V202-000090	1 - 20				
V202-000090	1 - 26				
V202-000090	2 - 35				
V202-000090	5 - 38				
V299-000110	5 - 24				
V347-000000	3 - 25				
V430-002330	5 - 35				
V452-000350	5 - 6				
V452-000360	5 - 8				
V452-001310	6 - 15				
V471-001200	4 - 7				
V471-002130	4 - 11				
V475-003960	2 - 18				
V485-001020	2 - 16				
V553-000060	1 - 4				
X495-000280	8 - 2				
X502-000330	2 - 36				

YAMABIKO CORPORATION

7-2 SUEHIROCHO 1-CHOME, OHME, TOKYO 198-8760, JAPAN
PHONE: 81-428-32-6118. FAX: 81-428-32-6145.



10Hb
No. 64-196