



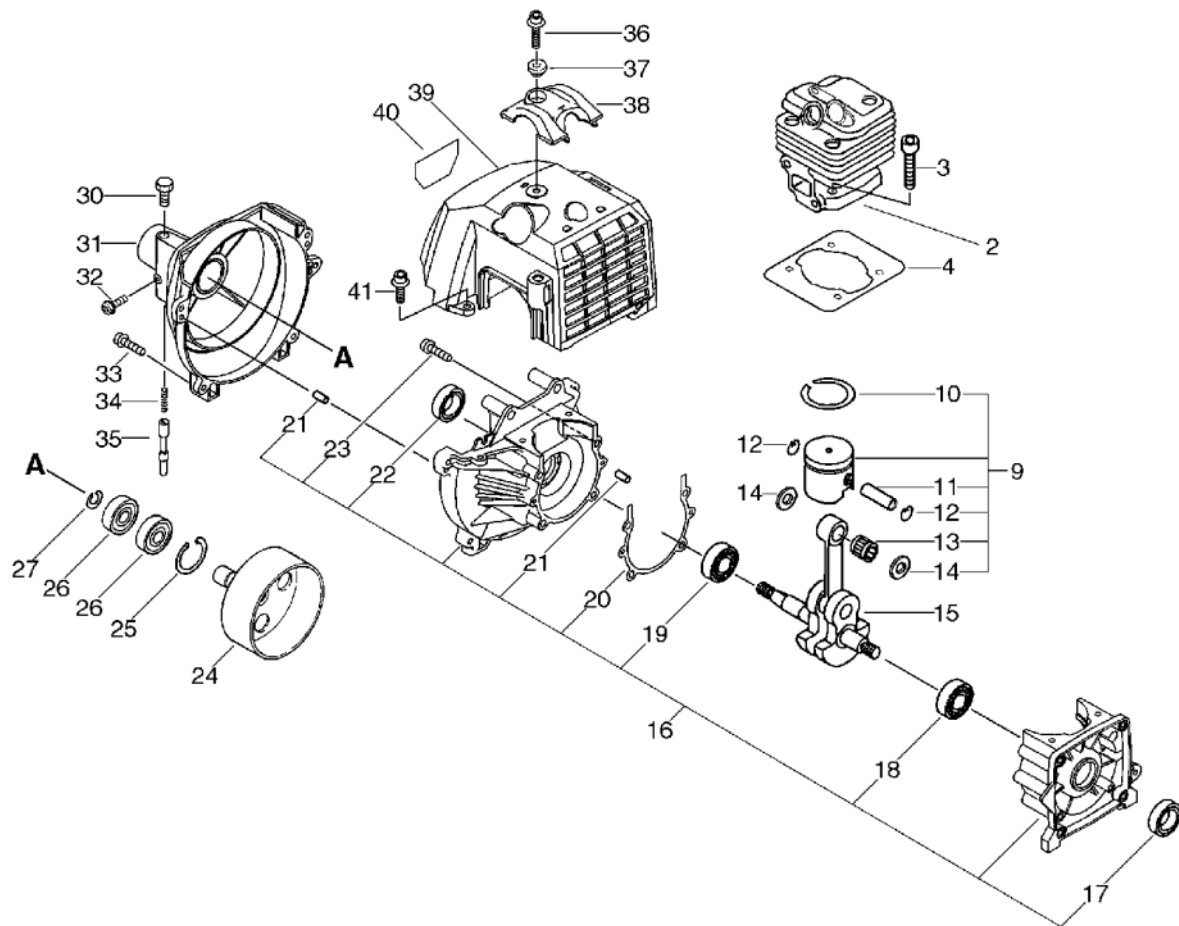
**PARTS CATALOGUE**

**BACKPACK BRUSHCUTTER**

**RM-510(36)**

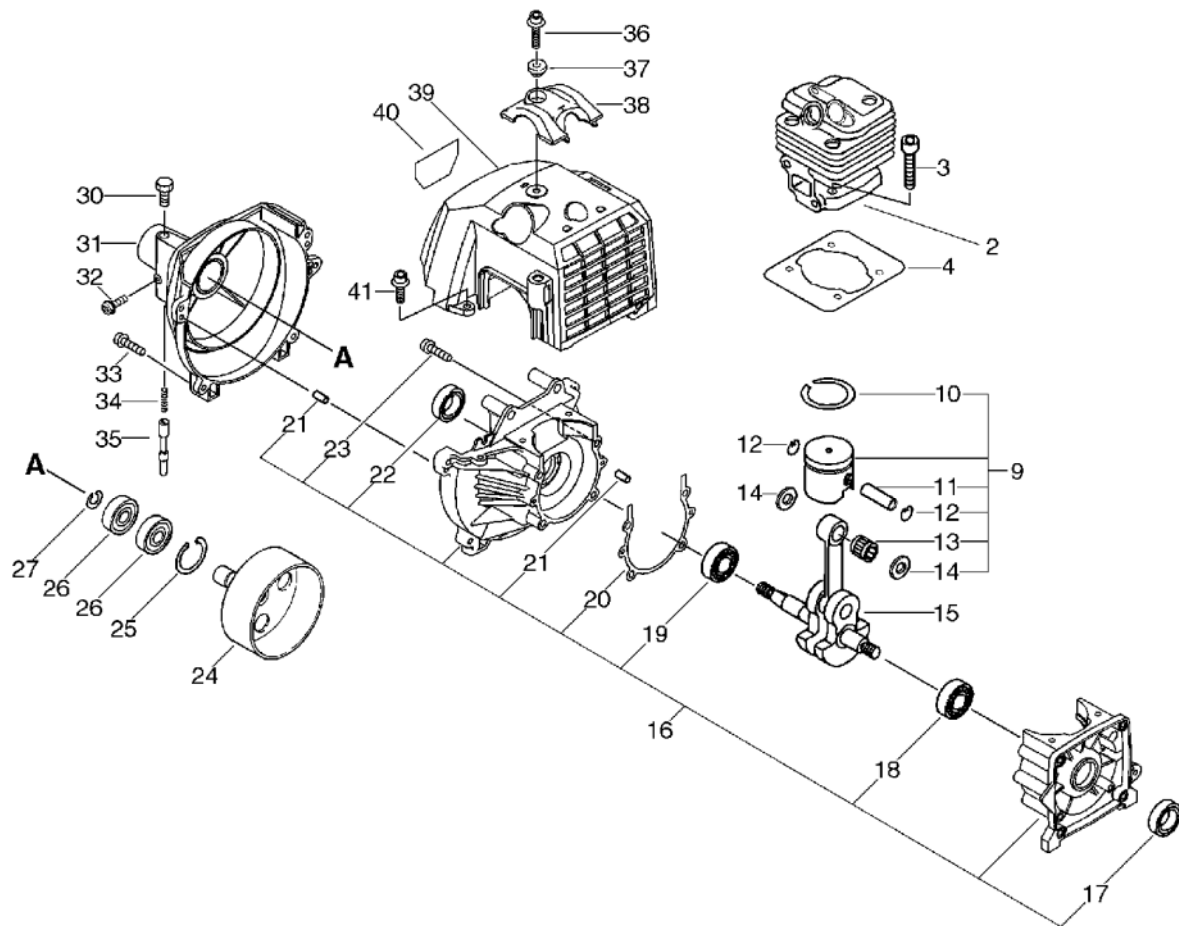
**36000001 -**

# 1. CYLINDER, CRANKCASE, PISTON



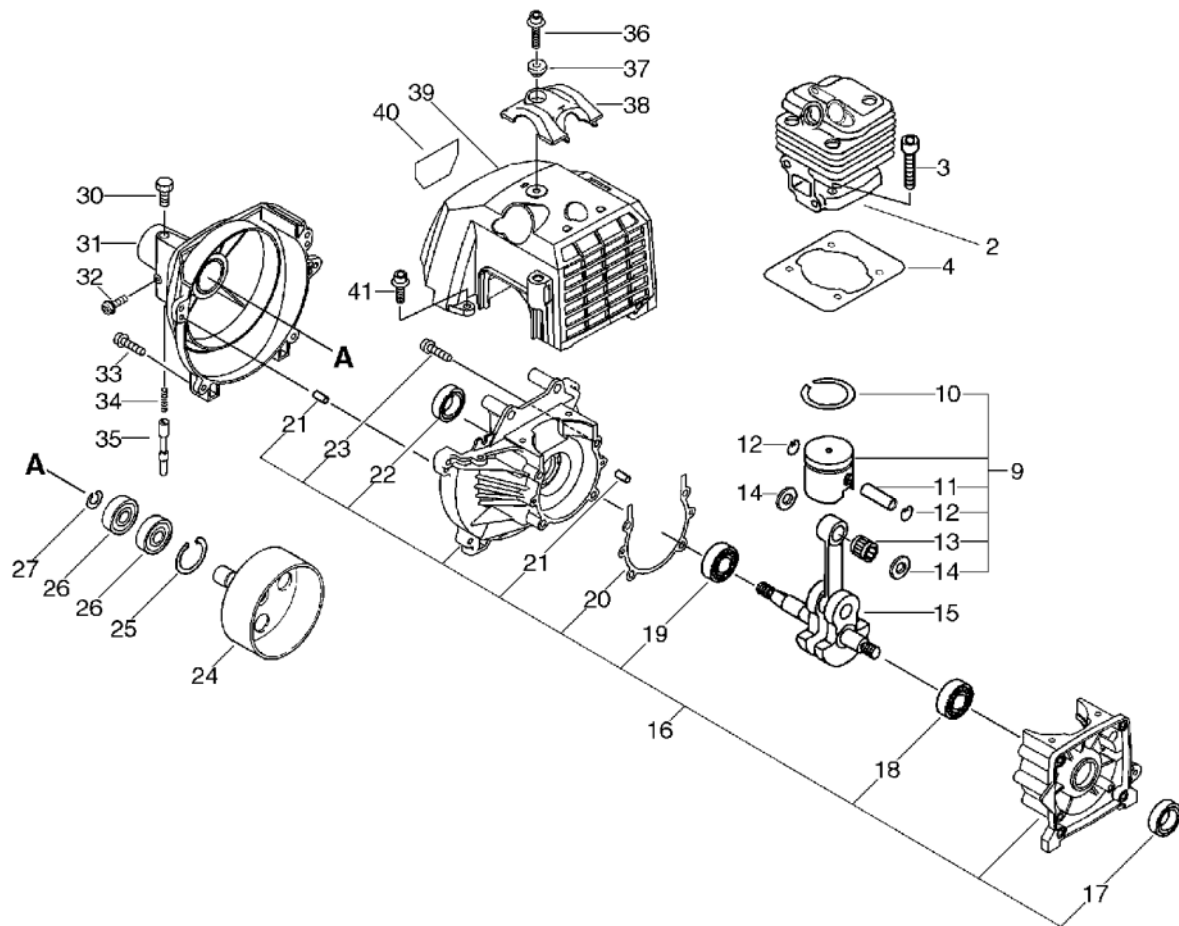
KEY	LV	PART NUMBER	Q'TY	DESCRIPTION	REMARKS	NOTE1	NOTE2
2		A130-000960	1	CYLINDER			
3		900162-05020	4	BOLT, H.S. 5*20	5*20 W,SW		
4		V100-000280	1	GASKET,CYL			
9		P021-016630	1	PISTON KIT			
10	+	A101-000220	1	RING, PISTON	44*1.5*1.8		
11	+	V608-000000	1	PIN,ENG 10			
12	+	V580-000010	2	RING,END	φ0.8		
13	+	100012-12331	1	BEARING, NEEDLE			
14	+	V307-000060	2	WASHER,CIRCULAR 10			
15		A011-000120	1	CRANKSHAFT,ASM			
16		P021-002471	1	CRANKCASE SET			
17	+	100213-05530	1	OILSEAL	ISCD 12 22 7		
18	+	94035-36201	1	BEARING BALL	6201X3JR2C3		
19	+	900810-36202	1	BEARING, BALL 6202	6202/C3		
20	+	V102-000001	1	GASKET,CRANKCASE			
21	+	100215-03930	4	PIN, DOWEL			
22	+	100213-00310	1	OILSEAL	ISCD 15 25 7		
23	+	900162-05035	4	BOLT, H.S. 5*35	5*35 W,SW		
24		A556-000151	1	DRUM,CLUTCH			
25		900702-00028	1	CIRCLIP 28	CR-28		
26		94042-06001	2	BEARING BALL	6001LLU		
27		900701-00012	1	CIRCLIP 12	CS-12		
30		610250-45930	1	BOLT			
31		A172-000140	1	COVER,FAN			
32		900241-04008	1	SCREW 4*8	4*8		
33		91118-05020	4	BOLT	CM-5*20		

# 1. CYLINDER, CRANKCASE, PISTON



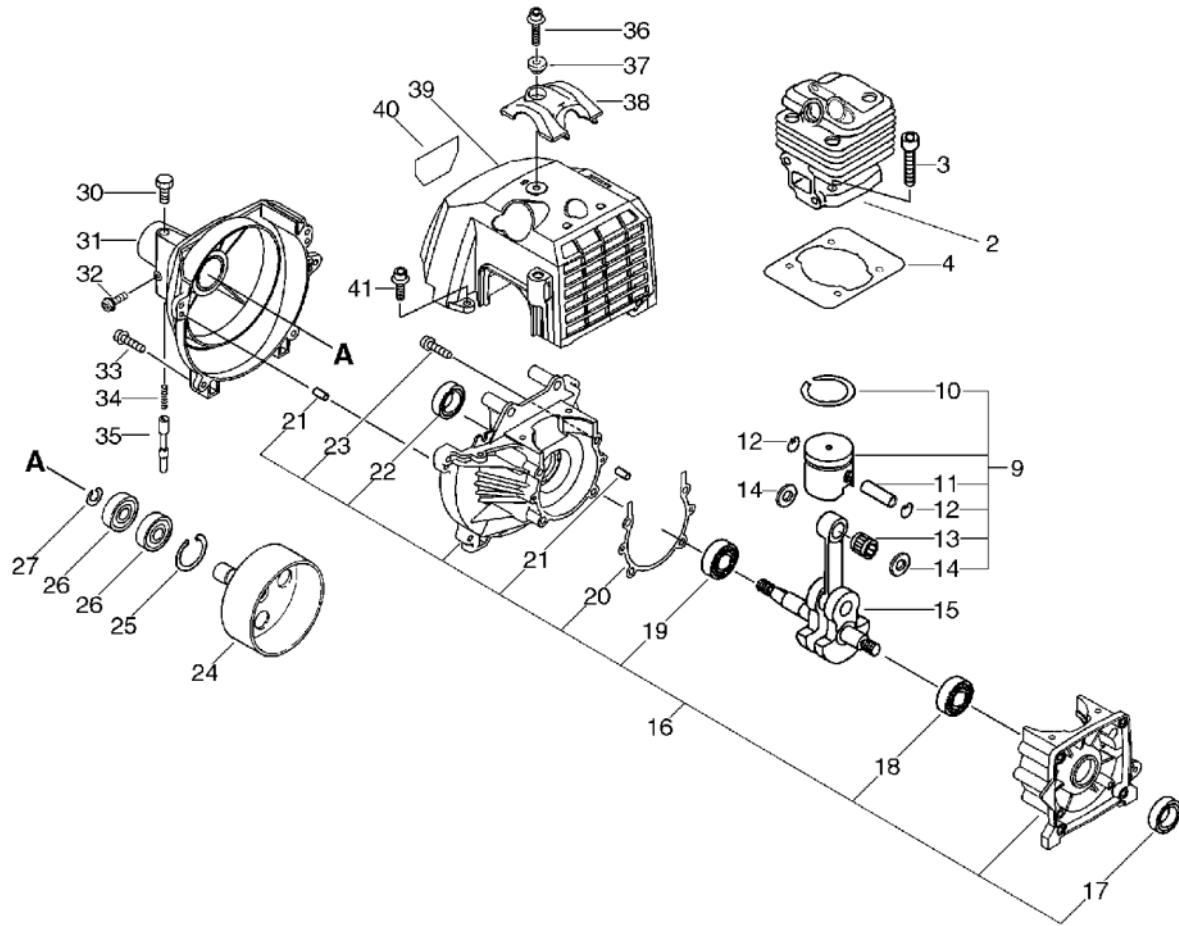
KEY	LV	PART NUMBER	Q'TY	DESCRIPTION	REMARKS	NOTE1	NOTE2
34		610251-45930	1	SPRING			
35		610252-45931	1	LOCKPIN			
36		91121-05020	1	BOLT, FLANGE	10.9 SILVER		
37		V353-000020	1	COLLAR,5	12*5.5*4.5L		
38		A162-000020	1	GUARD, TOP			
40		X547-001600	1	LABEL, ECHO			
41		91121-05012	1	BOLT, FLANGE	10.9 SILVER		
2		A130-000960	1	CYLINDER			
3		900162-05020	4	BOLT, H.S. 5*20	5*20 W, SW		
4		V100-000280	1	GASKET, CYL			
9		P021-016630	1	PISTON KIT			
10	+	A101-000220	1	RING, PISTON	44*1.5*1.8		
11	+	V608-000000	1	PIN, ENG 10			
12	+	V580-000010	2	RING, END	φ0.8		
13	+	100012-12331	1	BEARING, NEEDLE			
14	+	V307-000060	2	WASHER, CIRCULAR 10			
15		A011-000120	1	CRANKSHAFT, ASM			
16		P021-002471	1	CRANKCASE SET			
17	+	100213-05530	1	OILSEAL	ISCD 12 22 7		
18	+	94035-36201	1	BEARING BALL	6201X3JR2C3		
19	+	900810-36202	1	BEARING, BALL 6202	6202/C3		
20	+	V102-000001	1	GASKET, CRANKCASE			
21	+	100215-03930	4	PIN, DOWEL			
22	+	100213-00310	1	OILSEAL	ISCD 15 25 7		
23	+	900162-05035	4	BOLT, H.S. 5*35	5*35 W, SW		
24		A556-000151	1	DRUM, CLUTCH			

# 1. CYLINDER, CRANKCASE, PISTON



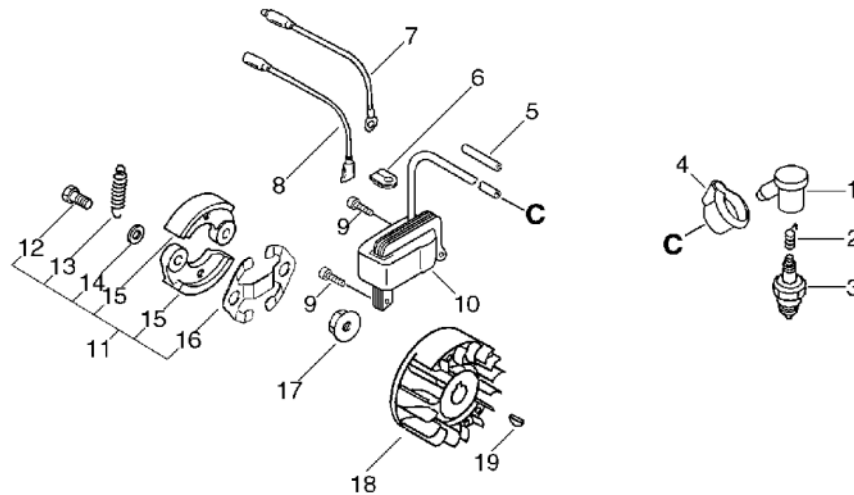
KEY	LV	PART NUMBER	Q'TY	DESCRIPTION	REMARKS	NOTE1	NOTE2
25		900702-00028	1	CIRCLIP 28	CR-28		
26		94042-06001	2	BEARING BALL	6001LLU		
27		900701-00012	1	CIRCLIP 12	CS-12		
30		610250-45930	1	BOLT			
31		A172-000140	1	COVER,FAN			
32		900241-04008	1	SCREW 4*8	4*8		
33		91118-05020	4	BOLT	CM-5*20		
34		610251-45930	1	SPRING			
35		610252-45931	1	LOCKPIN			
36		91121-05020	1	BOLT, FLANGE	10.9 SILVER		
37		V353-000020	1	COLLAR,5	12*5.5*4.5L		
38		A162-000020	1	GUARD, TOP			
40		X547-001600	1	LABEL,ECHO			
41		91121-05012	1	BOLT, FLANGE	10.9 SILVER		

# 1. CYLINDER, CRANKCASE, PISTON



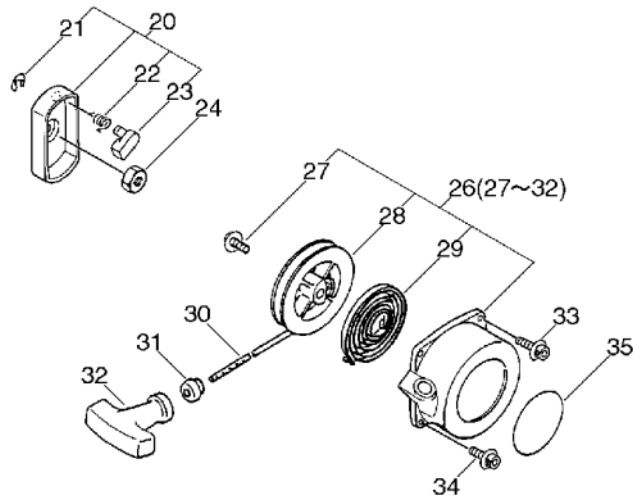
KEY	LV	PART NUMBER	Q'TY	DESCRIPTION	REMARKS	NOTE1	NOTE2
41		91121-05012	1	BOLT, FLANGE	10.9 SILVER		

## MGN. MAGNETO, CLUTCH



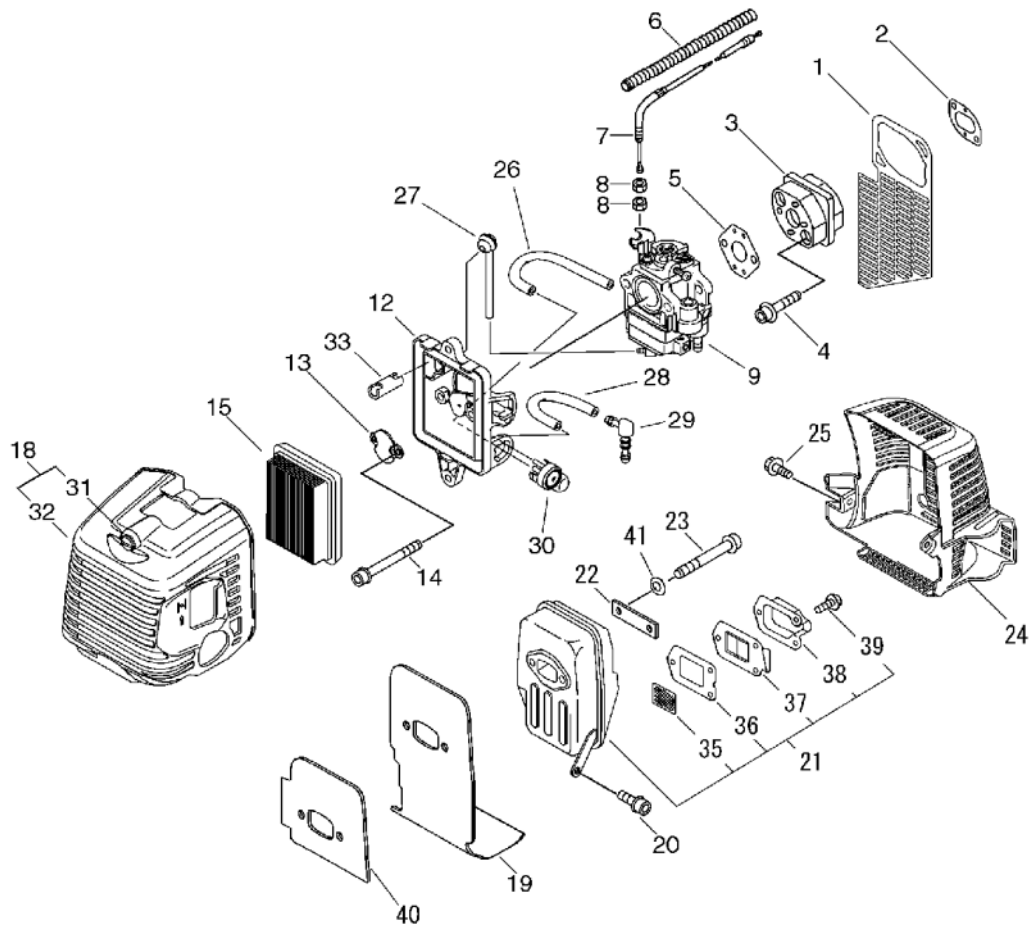
KEY	LV	PART NUMBER	Q'TY	DESCRIPTION	REMARKS	NOTE1	NOTE2
1		A427-000000	1	CAP, SPARK PLUG			
2		A426-000000	1	TERMINAL, SPARK PLUG			
3		159010-10230	1	PLUG, SPARK (BPMR-7A)	BPMR-7A		
4		V141-000020	1	GROMMET, PLUG			
5		V475-001610	1	TUBE	7*8.6*55 HST-10		
6		156114-04920	1	GROMMET			
7		162010-29330	1	LEAD, GROUND			
8		V485-000150	1	LEAD			
9		900162-05020	2	BOLT, H.S. 5*20	5*20 W, SW		
10		A411-000480	1	COIL, IGNITION			
11		P021-016610	1	CLUTCH ASY			
12	+	A557-000000	2	SHAFT, CLUTCH			
13	+	V451-000480	1	SPRING, TENSION			
14	+	175049-03920	2	WASHER			
15	+	A553-000040	2	ARM, CLUTCH			
16	+	V453-000100	1	SPRING, FLAT	10.2		
17		900519-00010	1	NUT, FLANGE 10	10*1.25		
18		A409-000380	1	ROTOR, MAGNETO			
19		900323-03014	1	KEY WOODRUFF	3*14		

## 3. RECOIL STARTER



KEY	LV	PART NUMBER	Q'TY	DESCRIPTION	REMARKS	NOTE1	NOTE2
20		A052-000011	1	PULLEY,ASM STARTER			
21	+	P022-002100	1	E-RING	4		
22	+	177234-40630	1	SPRING, RETURN			
23	+	177218-40630	1	PAWL, STARTER	WHITE		
24		900502-00008	1	NUT 8 (3N)	3N8		
26		A051-000070	1	STARTER.RECOIL			
27	+	177236-06910	1	SCREW			
28	+	P022-002080	1	DRUM, STARTER			
29	+	177220-06310	1	SPRING, REWIND			
30	+	177226-06310	1	ROPE, STARTER	3.8*1150		
31	+	177227-42030	1	GUIDE, ROPE			
32	+	177228-27030	1	GRIP, STARTER			
33		91121-05020	2	BOLT, FLANGE	10.9 SILVER		
34		91121-05025	2	BOLT, FLANGE	10.9 SILVER		
35		X502-000460	1	LABEL,ECHO			

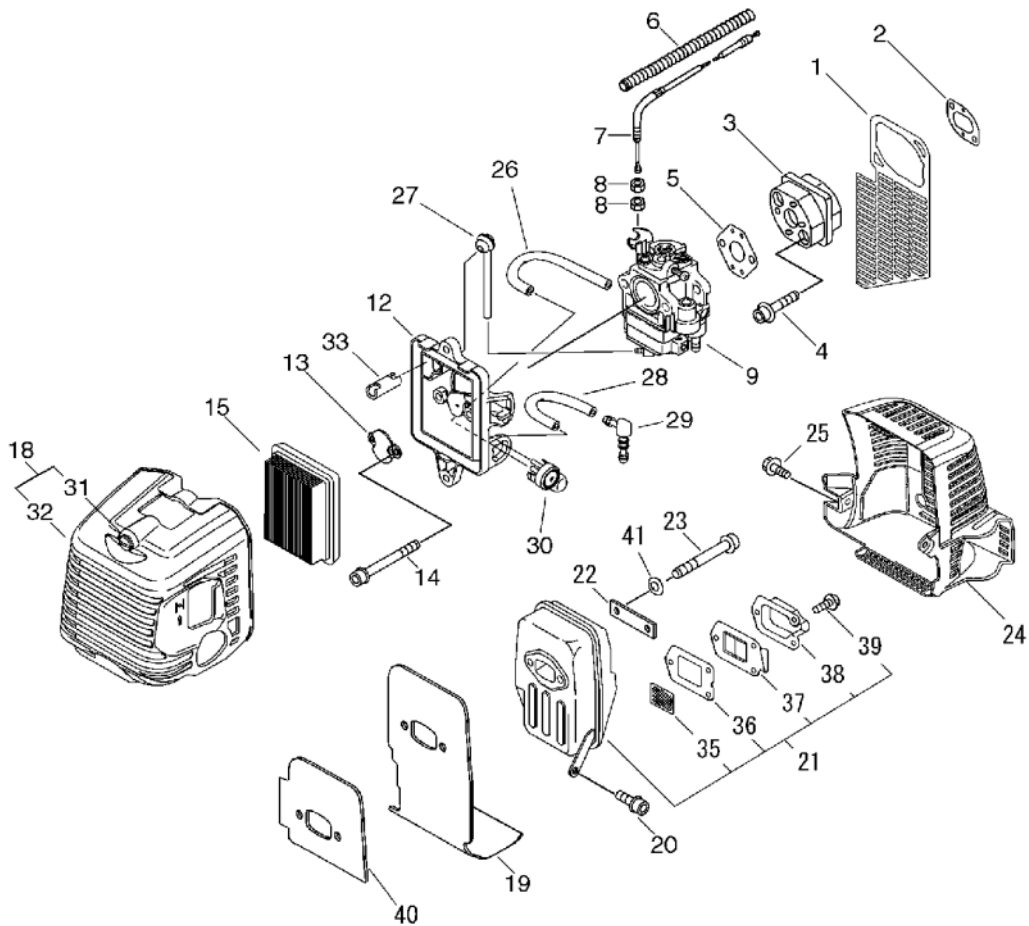
## AFL. AIR CLEANER, CARBURETOR, MUFFLER



KEY	LV	PART NUMBER	Q'TY	DESCRIPTION	REMARKS	NOTE1	NOTE2
1		A128-000060	1	PLATE,DUST			
2		V103-000070	1	GASKET,INTAKE			
3		A200-000060	1	INSULATOR,INTAKE			
4		900106-05025	2	BOLT, H.S. 5*25	5*25		
5		V103-000080	1	GASKET,INTAKE			
6		V475-001510	1	TUBE			
7		V430-000310	1	CABLE,BOWDEN	L320*28		
8		900502-00006	2	NUT 6 (3N)	3N6		
9		A021-001860	1	CARBURETOR,DIAPHRAGM	WYK-341		
12		P021-009590	1	CASE, AIR CLEANER			
13		A244-000010	1	PLATE,PREVENT			
14		900105-05055	2	BOLT, H.S. 5*55	5*55		
15		A226-000360	1	ELEMENT, AIR FILTER	AFP-2010K-300		
18		P021-009600	1	LID,CLEANER ASY			
31	+	V253-000100	2	SCREW,5	5*20		
32	+	A232-000320	1	LID,CLEANER			
19		V104-000930	1	GASKET,EXHAUST	T:1.0		
20		900162-05012	1	BOLT, H.S. 5*12	5*12 W,SW		
21		P021-016890	1	MUFFLER ASY			
35	+	A310-000110	1	SCREEN, ARRESTOR			
36	+	145866-42031	1	GASKET, MUFFLER LID			
37	+	145863-04560	1	HOLDER, SCREEN			
38	+	A313-001060	1	GUIDE, EXHAUST			
39	+	900242-04010	3	SCREW 4*10	4*10		
22		V150-000550	1	PLATE,EYE			

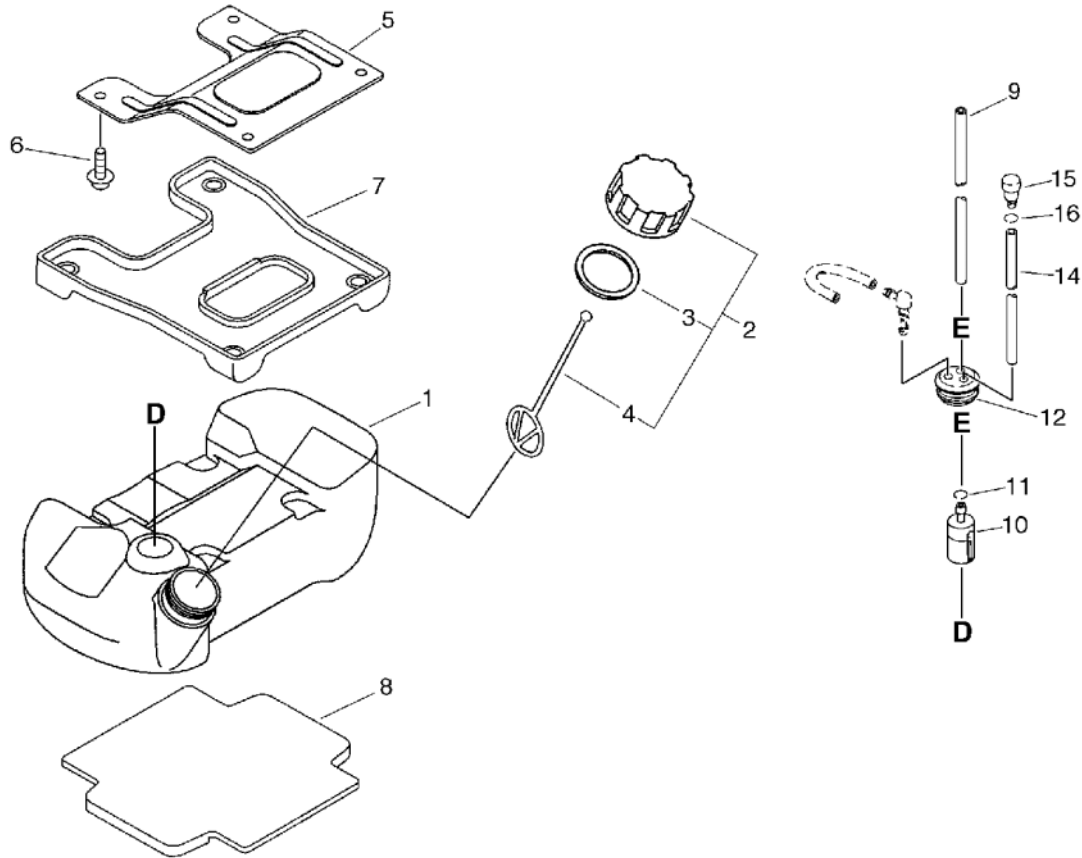


**AFL. AIR CLEANER, CARBURETOR, MUFFLER**



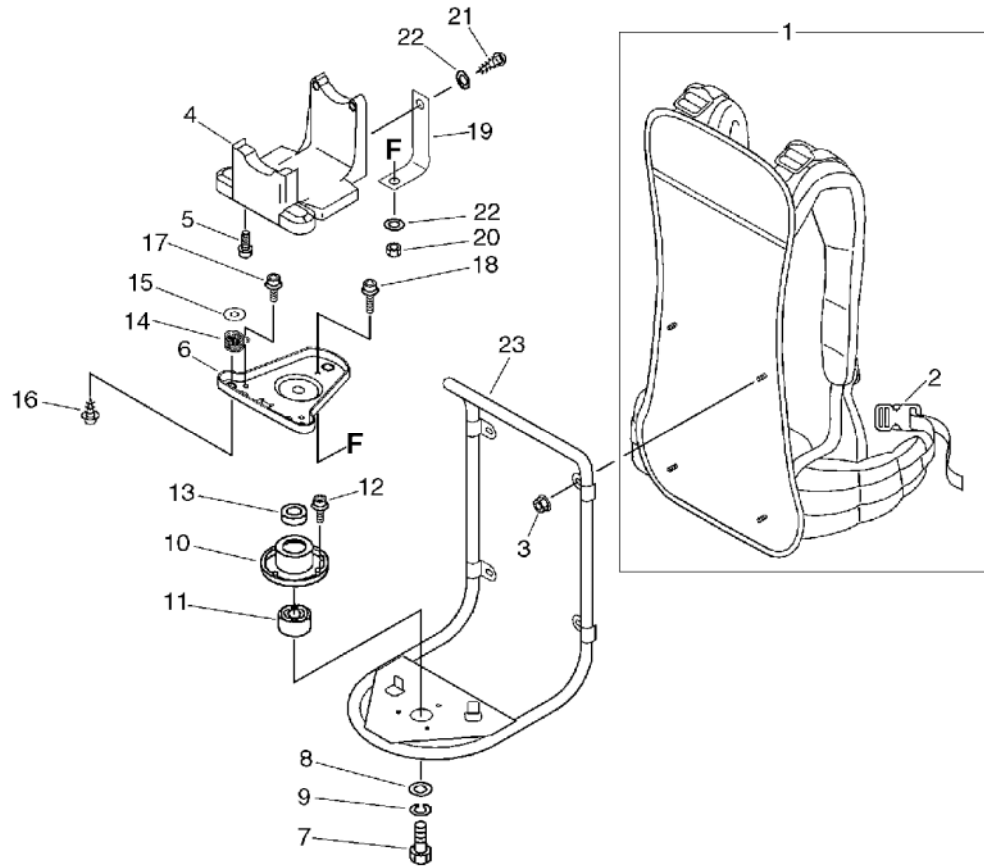
KEY	LV	PART NUMBER	Q'TY	DESCRIPTION	REMARKS	NOTE1	NOTE2
23		91100-06070	2	BOLT HSH	CB-6*70		
24		P021-016860	1	COVER, MUFFLER			
25		91121-05012	1	BOLT, FLANGE	10.9 SILVER		
26		V471-001560	1	PIPE	2.4*5*80		
27		132012-39331	1	PIPE	3*6*105		
28		437215-20760	1	PIPE 3*6*60	3*6*60 YL		
29		V186-000080	1	JOINT, PIPE			
30		123181-39130	1	PUMP, PRIMER			
33		A239-000050	1	PIPE, INTAKE			
40		A312-000000	1	PLATE, EXHUST			
41		900628-00006	2	WASHER, SPRING 6	6		

**FTN. FUEL TANK**



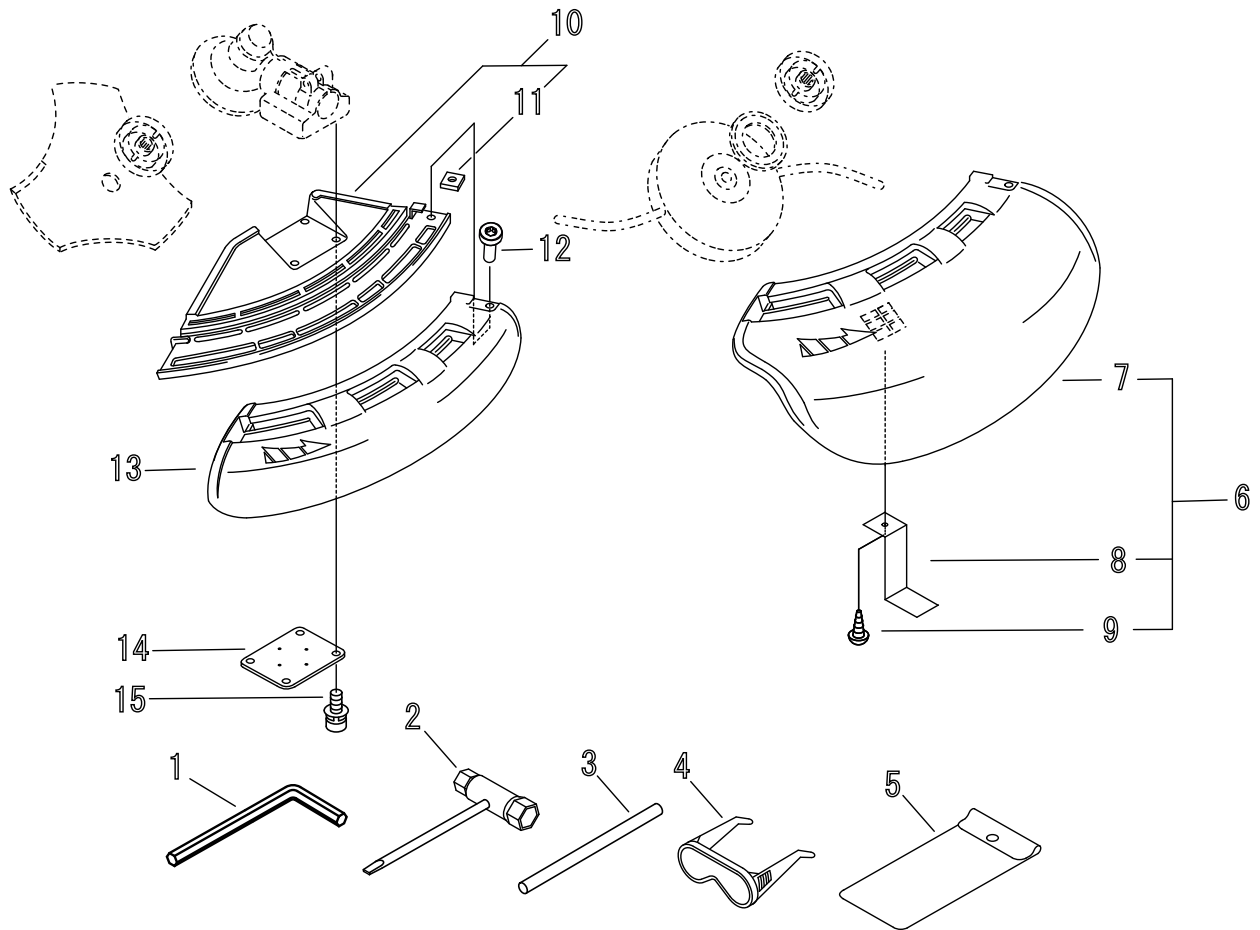
KEY	LV	PART NUMBER	Q'TY	DESCRIPTION	REMARKS	NOTE1	NOTE2
1		A350-000081	1	TANK,FUEL			
2		131004-55530	1	CAP ASSY, FUEL TANK			
3	+	131016-55830	1	GASKET, FUEL CAP			
4	+	131051-56030	1	CLIP, FUEL CAP	100L		
5		A393-000030	1	BRACKET,FUEL TANK			
6		900106-05012	4	BOLT, H.S. 5*12	5*12		
7		A390-000000	1	SEAT,FUEL TANK			
8		A390-000010	1	SEAT,FUEL TANK			
9		132010-53630	1	PIPE	3*6*180 NBR		
10		131205-19831	1	STRAINER, FUEL			
11		132013-26630	1	CLIP	6.5MM		
12		132115-55930	1	GROMMET, FUEL			
14		132012-02960	1	PIPE, FUEL	3*6*120L		
15		131300-56430	1	VALVE, CHECK			
16		132013-26630	1	CLIP	6.5MM		

**BPH. BACKPACK HARNESS**



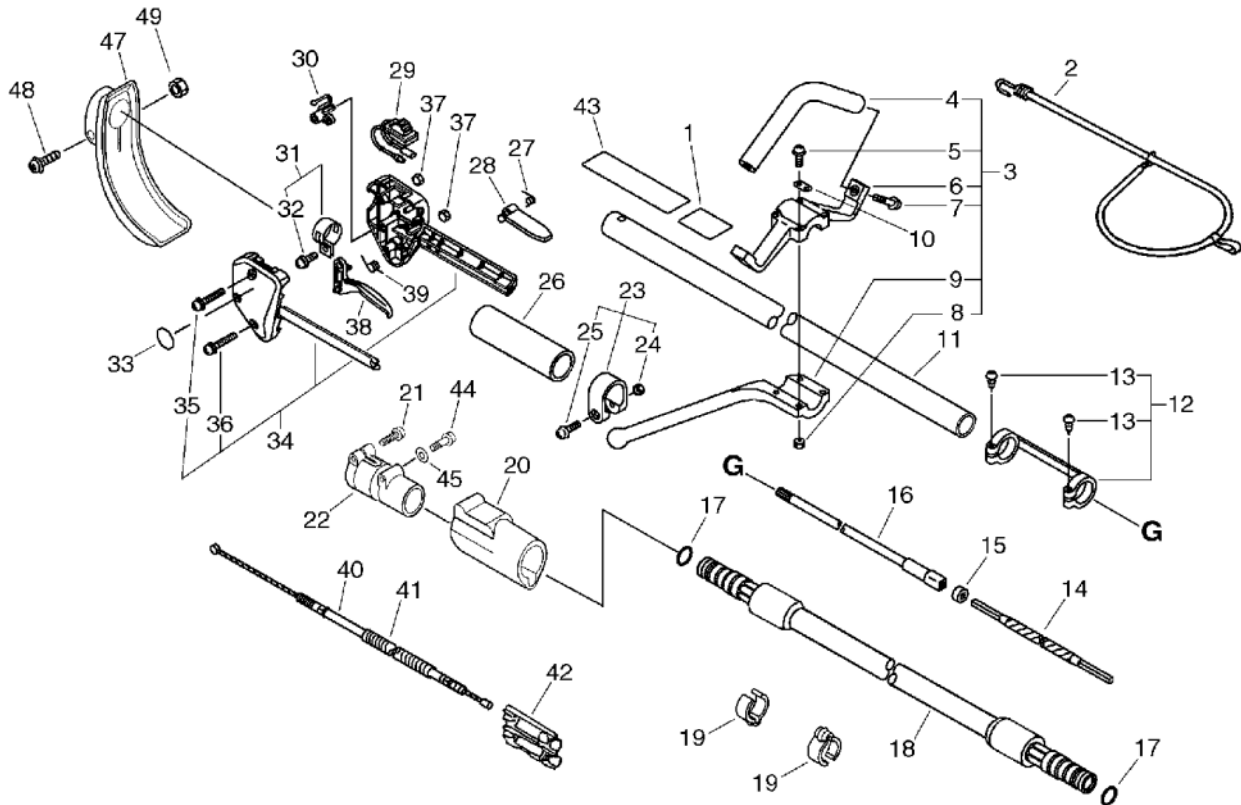
KEY	LV	PART NUMBER	Q'TY	DESCRIPTION	REMARKS	NOTE1	NOTE2
1		C061-000041	1	HARNESS,ASM BACKPACK			
2	+	P022-007890		BUCKLE	40MM		
3		900516-00005	4	NUT, FRANGE 5	5		
4		C632-000010	1	PLATE,ENG			
5		900106-05020	2	BOLT, H.S. 5*20	5*20		
6		C627-000020	1	PLATE,ROTATION			
7		900100-10025	1	BOLT 10*25	10*25		
8		900600-00010	1	WASHER 10	10		
9		900605-00010	1	WASHER, SPRING 10	10		
10		104926-56230	1	HOLDER, BEARING			
11		94064-06202	1	BEARING BALL	BB620ZZ		
12		91121-05012	3	BOLT, FLANGE	10.9 SILVER		
13		604044-12560	1	COLLER15.3*21.5*3.2T	15.3*21.5*3.2T		
14		V450-000141	3	SPRING,COMPRESSION			
15		177214-02830	3	WASHER	5.2*16*1.0T		
16		91147-05020	3	BOLT HS FL TAPP			
17		900106-05012	2	BOLT, H.S. 5*12	5*12		
18		900106-05016	1	BOLT, H.S. 5*16	5*16		
19		C617-000090	1	STOPPER			
20		900502-00005	1	NUT 5 (3N)	3N5		
21		91145-05016	1	BOLT HS TAPPING	5*16		
22		900600-00005	2	WASHER 5	5		
23		C620-000110	1	FRAME,BACKPACK			

SHT. SHIELD



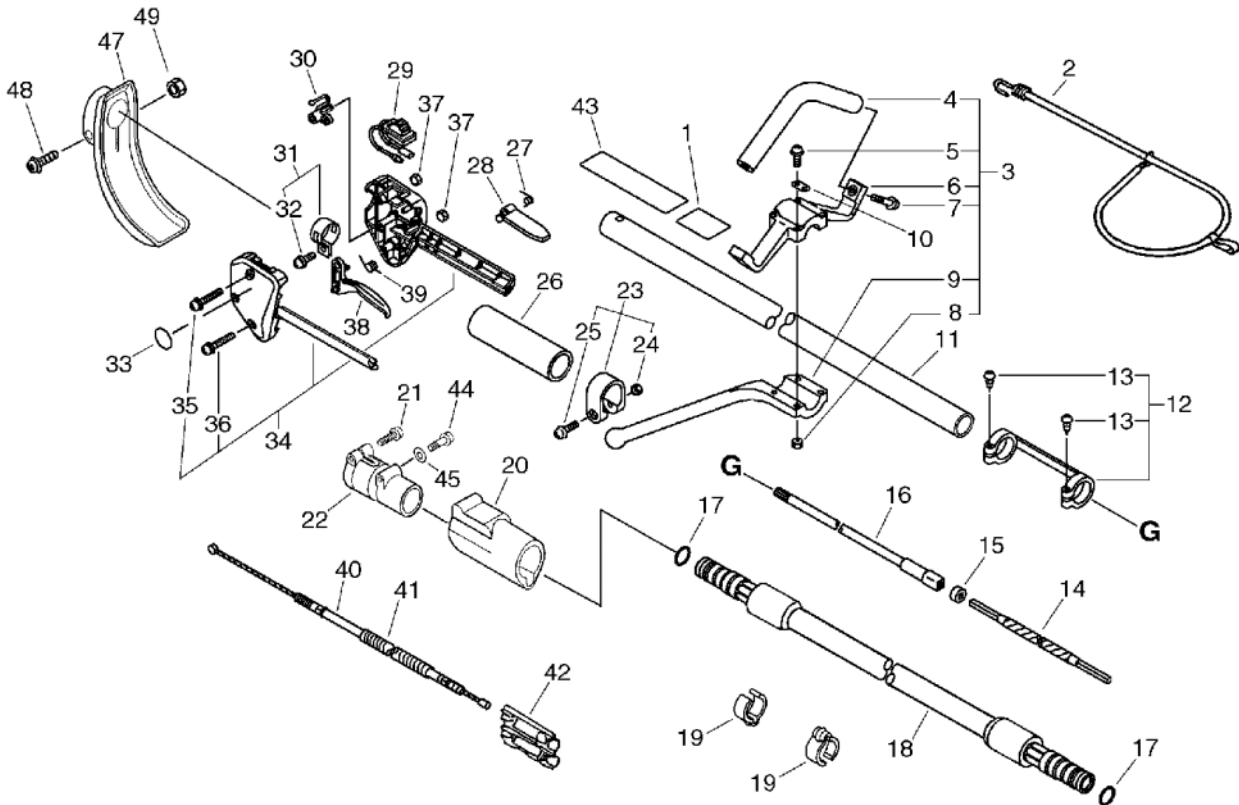
KEY	LV	PART NUMBER	Q'TY	DESCRIPTION	REMARKS	NOTE1	NOTE2
1		895610-00130	1	L-WRENCH (4MM)			
2		X602-000020	1	TOOL,WRENCH	17*19 L200		
3		X606-000080	1	TOOL,BAR	5*120		
4		P021-002861	1	GOGGLES			
5		898510-07130	1	BAG, TOOL			
6		P021-013770	1	SHIELD KIT			
7	+	C550-000080	1	SHIELD,BLADE			
8	+	C554-000030	1	KNIFE, CORD			
9	+	900252-05012	1	SCREW 5*12			
10		C550-000100	1	SHIELD,BLADE			
11	+	900565-00005	1	NUT	5		
12		900242-05018	1	SCREW 5*18	5*18		
13		C550-000090	1	SHIELD,BLADE			
14		699013-56830	1	PLATE, SHIELD			
15		91118-05025	4	BOLT			

**RHND. HANDLE**



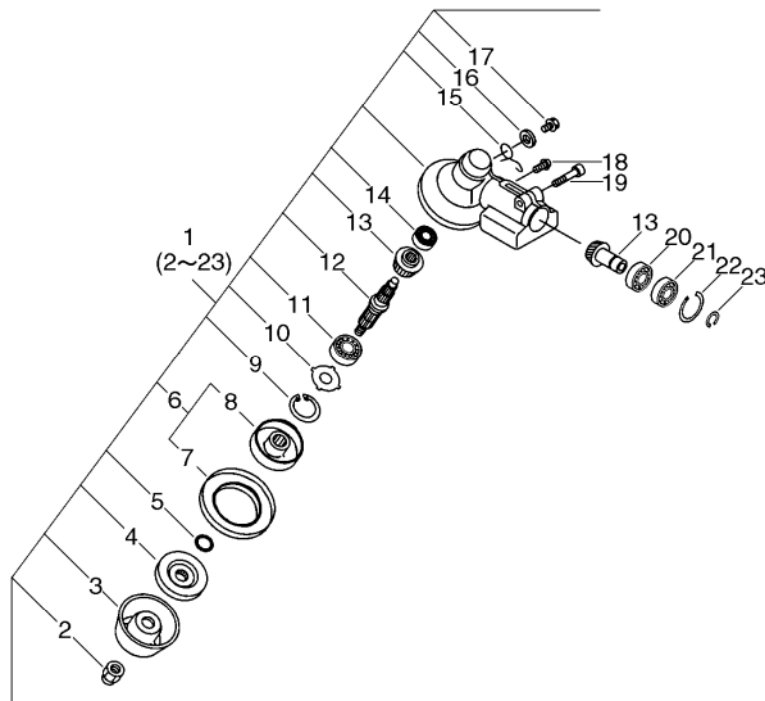
KEY	LV	PART NUMBER	Q'TY	DESCRIPTION	REMARKS	NOTE1	NOTE2
1		890160-42230	1	LABEL, CAUTION			
2		300500-07131	1	ROPE, ELASTIC			
3		351201-50431	1	HANDLE ASSY, LOOP			
4	+	351205-07131	1	HANDLE			
5	+	900242-05035	4	SCREW 5*35	5*35		
6	+	351232-07130	1	BRACKET, HANDLE 28			
7	+	900242-05014	2	SCREW 5*14			
8	+	900500-00005	4	NUT 5	5		
9	+	351643-55630	1	BRACKET, HANDLE			
10		300515-07130	1	PLATE, ROPE			
11		C050-000040	1	PIPE,MAIN			
12		610280-42230	1	COLLAR			
13	+	900253-04025	2	SCREW 4*25	4*25		
14		610013-27630	1	SHAFT, FLEXIBLE(HARD)			
15		610020-07131	1	ADAPTER, FLX. SHAFT			
16		C504-000070	1	SHAFT,DRIVE			
17		900720-00018	2	O-RING 18	P-18		
18		C508-000020	1	COVER,FLEX SHAFT			
19		224924-52130	2	CLIP	25MM		
20		C483-000010	1	BOOT,CONNECTOR			
21		91118-05030	1	BOLT			
22		C510-000020	1	COUPLING,MAIN PIPE			
23		610272-51830	1	BAND			
24	+	900500-00005	1	NUT 5	5		
25	+	900242-05028	1	SCREW 5*28	5*28		
26		351213-51830	1	GRIP, FRONT HANDLE			

**RHND. HANDLE**



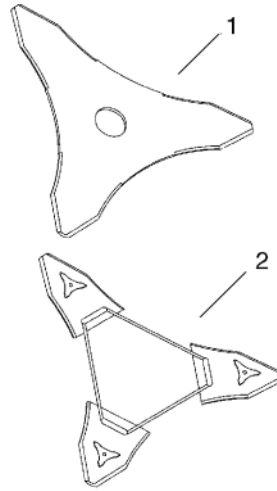
KEY	LV	PART NUMBER	Q'TY	DESCRIPTION	REMARKS	NOTE1	NOTE2
27		178013-52630	1	SPRING, THR. LOCK			
28		178090-52632	1	LOCKOUT, T. CONTROL			
29		163400-41630	1	SWITCH, IGNITION			
30		178012-52630	1	LOCKOUT, THROTTLE			
31		301200-42230	1	HOOK ASSY			
32	+	900242-05014	1	SCREW 5*14			
33		890157-39130	1	LABEL, SWITCH			
34		178003-51830	1	BRACKET SET, THROTTLE			
35	+	900242-05035	1	SCREW 5*35	5*35		
36	+	900242-05025	1	SCREW 5*25	5*25		
37	+	900500-00005	2	NUT 5	5		
38		178010-52130	1	CONTROL, THROTTLE			
39		178043-42230	1	SPRING, THR. RETURN			
40		V430-000321	1	CABLE, BOWDEN	940*64		
41		V475-001500	1	TUBE	7*740		
42		178081-55932	1	CONNECTOR, CABLE			
43		890617-43130	1	LABEL, CAUTION			
44		610257-56330	1	BOLT	5*30		
45		900600-00005	1	WASHER 5	5		
47		A248-000000	1	GUARD, LEVER			
48		900242-05025	1	SCREW 5*25	5*25		
49		900500-00005	1	NUT 5	5		

## GCSU. GEAR CASE



KEY	LV	PART NUMBER	Q'TY	DESCRIPTION	REMARKS	NOTE1	NOTE2
1		P021-012591	1	CASE,GEAR			
2	+	610320-52130	1	NUT 10			
3	+	699229-56830	1	PLATE, COVER			
4	+	610314-52130	1	PLATE, ADAPTER (L)			
5	+	900720-00012	1	O-RING 12	P-12		
6	+	610313-52932	1	FIXTURE, BLADE			
7	++	610352-56830	1	PLATE, CUP			
8	++	610313-52132	1	FIXTURE, BLADE			
9	+	900702-00032	1	CIRCLIP 32	CR-32		
10	+	610444-56830	1	WASHER			
11	+	900812-06201	1	BEARING, BALL 6201	6201DDU(LLU)		
12	+	610310-56931	1	SHAFT, P.T.O.			
13	+	610300-56930	1	GEAR SET			
14	+	900810-00629	1	BEARING, BALL 629			
15	+	610473-52131	1	SPRING			
16	+	900603-50008	1	WASHER	8.5*18*0.8T		
17	+	610434-50031	1	BOLT 8*8	M8*8		
18	+	900242-05010	1	SCREW 5*10			
19	+	91118-06030	1	BOLT			
20	+	900800-06001	1	BEARING, BALL 6001			
21	+	900803-06001	1	BEARING, BALL 6001			
22	+	900702-00028	1	CIRCLIP 28	CR-28		
23	+	900701-00012	1	CIRCLIP 12	CS-12		

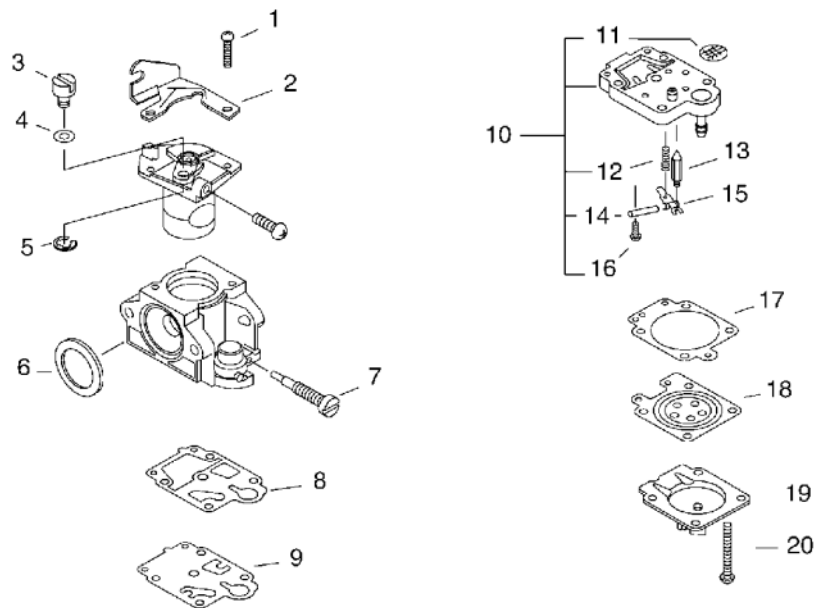
**BLD. CUTTER**



KEY	LV	PART NUMBER	Q'TY	DESCRIPTION	REMARKS	NOTE1	NOTE2
1		P021-014320	1	SAW,BUSH CUTTER	255*T3.0		
2		X495-000280	1	SCABBARD,BLADE	9", 10" 3 CUTTER		



## 11. CARBURETOR



KEY	LV	PART NUMBER	Q'TY	DESCRIPTION	REMARKS	NOTE1	NOTE2
		A021-001860	1	CARBURETOR,DIAPHRAGM	WYK-341		
1	+	123114-40630	2	SCREW			
2	+	P003-000180	1	BRACKET CABLE			
3	+	123172-45130	1	SWIVEL			
4	+	123149-54230	1	WASHER			
5	+	123173-07930	1	CLIP			
6	+	123143-12110	1	RING, PACKING			
7	+	P003-001130	1	NEEDLE, HIGH SPEED			
8	+	P003-000100	1	GASKET, PUMP			
9	+	123112-40630	1	DIAPHRAGM, PUMP			
10	+	P003-001490	1	BODY ASSEMBLY, PUMP			
11	++	123126-10631	1	SCREEN, INLET			
12	++	123122-05560	1	SPRING, METER. LEVER			
13	++	123137-19830	1	VALVE, INLET NEEDLE			
14	++	123138-03930	1	PIN, METERING LEVER			
15	++	123123-03930	1	LEVER, METERING			
16	++	123139-05560	1	SCREW, M. LEVER PIN			
17	+	123140-27230	1	GASKET,M. DIAPHRAGM			
18	+	P003-001850	1	DIAPHRAGM, METERING			
19	+	P003-001500	1	COVER, PRIMER PUMP			
20	+	123144-44330	4	SCREW			

**Index**

<b>Patrs Number</b>	<b>Key No.</b>	<b>Patrs Number</b>	<b>Key No.</b>	<b>Patrs Number</b>	<b>Key No.</b>
100012-12331	1 - 13	177236-06910	3 - 27	900106-05012	FTN - 6
100012-12331	1 - 13	178003-51830	IND - 34	900106-05012	3PH - 17
100213-00310	1 - 22	178010-52130	IND - 38	900106-05016	3PH - 18
100213-00310	1 - 22	178012-52630	IND - 30	900106-05020	3PH - 5
100213-05530	1 - 17	178013-52630	IND - 27	900106-05025	AFL - 4
100213-05530	1 - 17	178043-42230	IND - 39	900162-05012	AFL - 20
100215-03930	1 - 21	178081-55932	IND - 42	900162-05020	1 - 3
100215-03930	1 - 21	178090-52632	IND - 28	900162-05020	1 - 3
104926-56230	3PH - 10	224924-52130	IND - 19	900162-05020	IGN - 9
123112-40630	11 - 9	300500-07131	IND - 2	900162-05035	1 - 23
123114-40630	11 - 1	300515-07130	IND - 10	900162-05035	1 - 23
123122-05560	11 - 12	301200-42230	IND - 31	900241-04008	1 - 32
123123-03930	11 - 15	351201-50431	IND - 3	900241-04008	1 - 32
123126-10631	11 - 11	351205-07131	IND - 4	900242-04010	AFL - 39
123137-19830	11 - 13	351213-51830	IND - 26	900242-05010	3SU - 18
123138-03930	11 - 14	351232-07130	IND - 6	900242-05014	IND - 7
123139-05560	11 - 16	351643-55630	IND - 9	900242-05014	IND - 32
123140-27230	11 - 17	437215-20760	AFL - 28	900242-05018	3HT - 12
123143-12110	11 - 6	604044-12560	3PH - 13	900242-05025	IND - 36
123144-44330	11 - 20	610013-27630	IND - 14	900242-05025	IND - 48
123149-54230	11 - 4	610020-07131	IND - 15	900242-05028	IND - 25
123172-45130	11 - 3	610250-45930	1 - 30	900242-05035	IND - 5
123173-07930	11 - 5	610250-45930	1 - 30	900242-05035	IND - 35
123181-39130	AFL - 30	610251-45930	1 - 34	900252-05012	3HT - 9
131004-55530	FTN - 2	610251-45930	1 - 34	900253-04025	IND - 13
131016-55830	FTN - 3	610252-45931	1 - 35	900323-03014	IGN - 19
131051-56030	FTN - 4	610252-45931	1 - 35	900500-00005	IND - 8
131205-19831	FTN - 10	610257-56330	IND - 44	900500-00005	IND - 24
131300-56430	FTN - 15	610272-51830	IND - 23	900500-00005	IND - 37
132010-53630	FTN - 9	610280-42230	IND - 12	900500-00005	IND - 49
132012-02960	FTN - 14	610300-56930	3SU - 13	900502-00005	3PH - 20
132012-39331	AFL - 27	610310-56931	3SU - 12	900502-00006	AFL - 8
132013-26630	FTN - 11	610313-52132	3SU - 8	900502-00008	3 - 24
132013-26630	FTN - 16	610313-52932	3SU - 6	900516-00005	3PH - 3
132115-55930	FTN - 12	610314-52130	3SU - 4	900519-00010	IGN - 17
145863-04560	AFL - 37	610320-52130	3SU - 2	900565-00005	3HT - 11
145866-42031	AFL - 36	610352-56830	3SU - 7	900600-00005	3PH - 22
156114-04920	IGN - 6	610434-50031	3SU - 17	900600-00005	IND - 45
159010-10230	IGN - 3	610444-56830	3SU - 10	900600-00010	3PH - 8
162010-29330	IGN - 7	610473-52131	3SU - 15	900603-50008	3SU - 16
163400-41630	IND - 29	699013-56830	3HT - 14	900605-00010	3PH - 9
175049-03920	IGN - 14	699229-56830	3SU - 3	900628-00006	AFL - 41
177214-02830	3PH - 15	890157-39130	IND - 33	900701-00012	1 - 27
177218-40630	3 - 23	890160-42230	IND - 1	900701-00012	1 - 27
177220-06310	3 - 29	890617-43130	IND - 43	900701-00012	3SU - 23
177226-06310	3 - 30	895610-00130	3HT - 1	900702-00028	1 - 25
177227-42030	3 - 31	898510-07130	3HT - 5	900702-00028	1 - 25
177228-27030	3 - 32	900100-10025	3PH - 7	900702-00028	3SU - 22
177234-40630	3 - 22	900105-05055	AFL - 14	900702-00032	3SU - 9

**Index**

<b>Patrs Number</b>	<b>Key No.</b>	<b>Patrs Number</b>	<b>Key No.</b>	<b>Patrs Number</b>	<b>Key No.</b>
900720-00012	:SU - 5	A248-000000	IND - 47	P022-002080	3 - 28
900720-00018	IND - 17	A310-000110	AFL - 35	P022-002100	3 - 21
900800-06001	:SU - 20	A312-000000	AFL - 40	P022-007890	:PH - 2
900803-06001	:SU - 21	A313-001060	AFL - 38	V100-000280	1 - 4
900810-00629	:SU - 14	A350-000081	:TN - 1	V100-000280	1 - 4
900810-36202	1 - 19	A390-000000	:TN - 7	V102-000001	1 - 20
900810-36202	1 - 19	A390-000010	:TN - 8	V102-000001	1 - 20
900812-06201	:SU - 11	A393-000030	:TN - 5	V103-000070	AFL - 2
91100-06070	AFL - 23	A409-000380	IGN - 18	V103-000080	AFL - 5
91118-05020	1 - 33	A411-000480	IGN - 10	V104-000930	AFL - 19
91118-05020	1 - 33	A426-000000	IGN - 2	V141-000020	IGN - 4
91118-05025	:HT - 15	A427-000000	IGN - 1	V150-000550	AFL - 22
91118-05030	IND - 21	A553-000040	IGN - 15	V186-000080	AFL - 29
91118-06030	:SU - 19	A556-000151	1 - 24	V253-000100	AFL - 31
91121-05012	1 - 41	A556-000151	1 - 24	V307-000060	1 - 14
91121-05012	1 - 41	A557-000000	IGN - 12	V307-000060	1 - 14
91121-05012	AFL - 25	C050-000040	IND - 11	V353-000020	1 - 37
91121-05012	:PH - 12	C061-000041	:PH - 1	V353-000020	1 - 37
91121-05020	1 - 36	C483-000010	IND - 20	V430-000310	AFL - 7
91121-05020	1 - 36	C504-000070	IND - 16	V430-000321	IND - 40
91121-05020	3 - 33	C508-000020	IND - 18	V450-000141	:PH - 14
91121-05025	3 - 34	C510-000020	IND - 22	V451-000480	IGN - 13
91145-05016	:PH - 21	C550-000080	:HT - 7	V453-000100	IGN - 16
91147-05020	:PH - 16	C550-000090	:HT - 13	V471-001560	AFL - 26
94035-36201	1 - 18	C550-000100	:HT - 10	V475-001500	IND - 41
94035-36201	1 - 18	C554-000030	:HT - 8	V475-001510	AFL - 6
94042-06001	1 - 26	C617-000090	:PH - 19	V475-001610	IGN - 5
94042-06001	1 - 26	C620-000110	:PH - 23	V485-000150	IGN - 8
94064-06202	:PH - 11	C627-000020	:PH - 6	V580-000010	1 - 12
A011-000120	1 - 15	C632-000010	:PH - 4	V580-000010	1 - 12
A011-000120	1 - 15	P003-000100	11 - 8	V608-000000	1 - 11
A021-001860	11 -	P003-000180	11 - 2	V608-000000	1 - 11
A021-001860	AFL - 9	P003-001130	11 - 7	X495-000280	:LD - 2
A051-000070	3 - 26	P003-001490	11 - 10	X502-000460	3 - 35
A052-000011	3 - 20	P003-001500	11 - 19	X547-001600	1 - 40
A101-000220	1 - 10	P003-001850	11 - 18	X547-001600	1 - 40
A101-000220	1 - 10	P021-002471	1 - 16	X602-000020	:HT - 2
A128-000060	AFL - 1	P021-002471	1 - 16	X606-000080	:HT - 3
A130-000960	1 - 2	P021-002861	:HT - 4		
A130-000960	1 - 2	P021-009590	AFL - 12		
A162-000020	1 - 38	P021-009600	AFL - 18		
A162-000020	1 - 38	P021-012591	:SU - 1		
A172-000140	1 - 31	P021-013770	:HT - 6		
A172-000140	1 - 31	P021-014320	:LD - 1		
A200-000060	AFL - 3	P021-016610	IGN - 11		
A226-000360	AFL - 15	P021-016630	1 - 9		
A232-000320	AFL - 32	P021-016630	1 - 9		
A239-000050	AFL - 33	P021-016860	AFL - 24		
A244-000010	AFL - 13	P021-016890	AFL - 21		

# YAMABIKO CORPORATION

7-2 SUEHIROCHO 1-CHOME, OHME, TOKYO 198-8760, JAPAN  
PHONE: 81-428-32-6118. FAX: 81-428-32-6145.



10Hb  
No. 66-051