



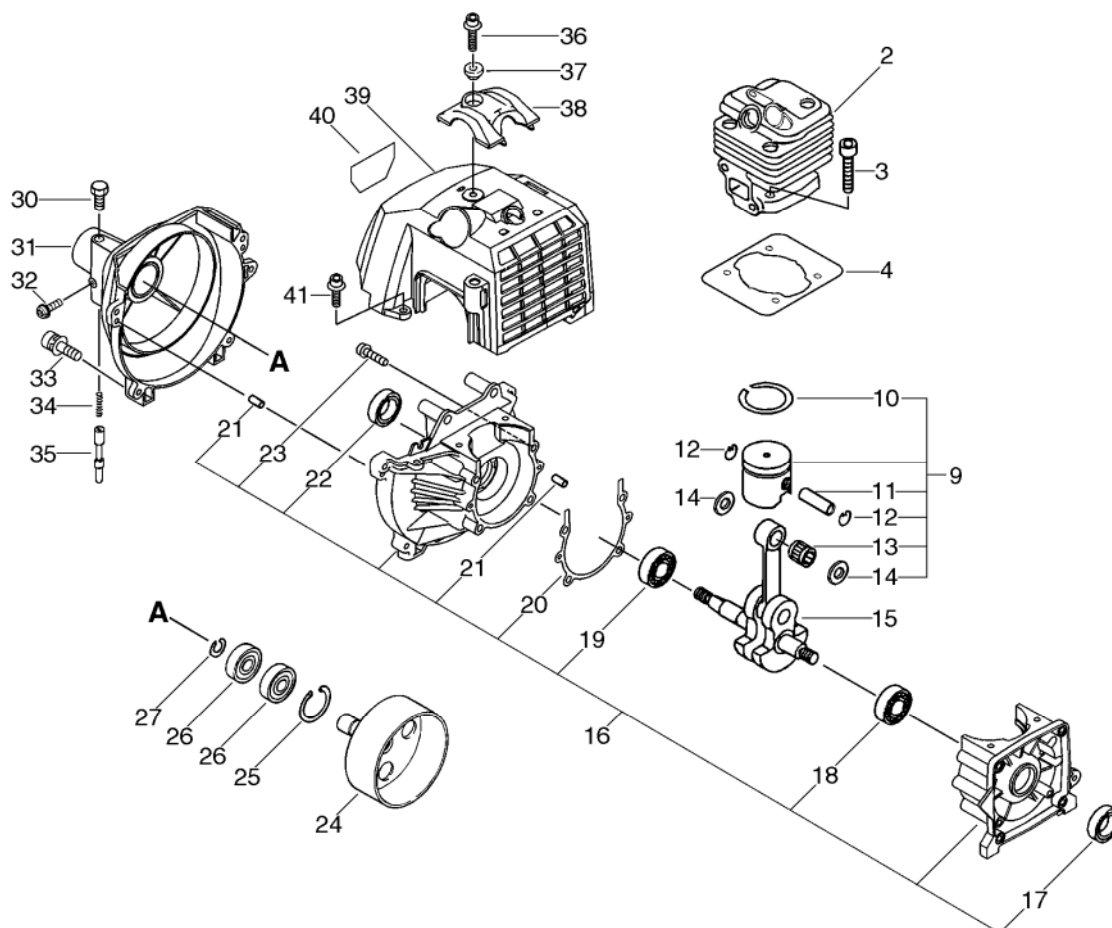
PARTS CATALOGUE

BACKPACK BRUSHCUTTER

RM-410ES(36)

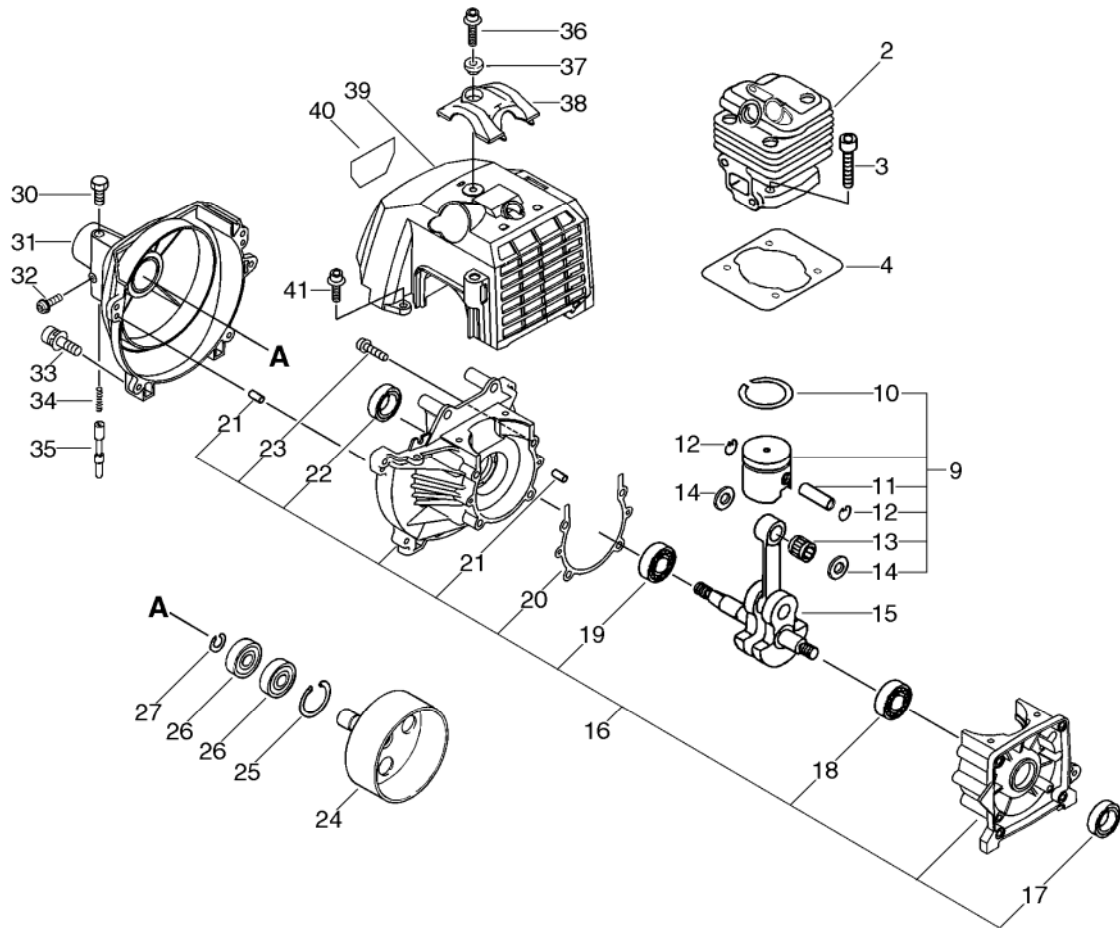
36000001 - 36003524

1. CYLINDER, CRANKCASE, PISTON



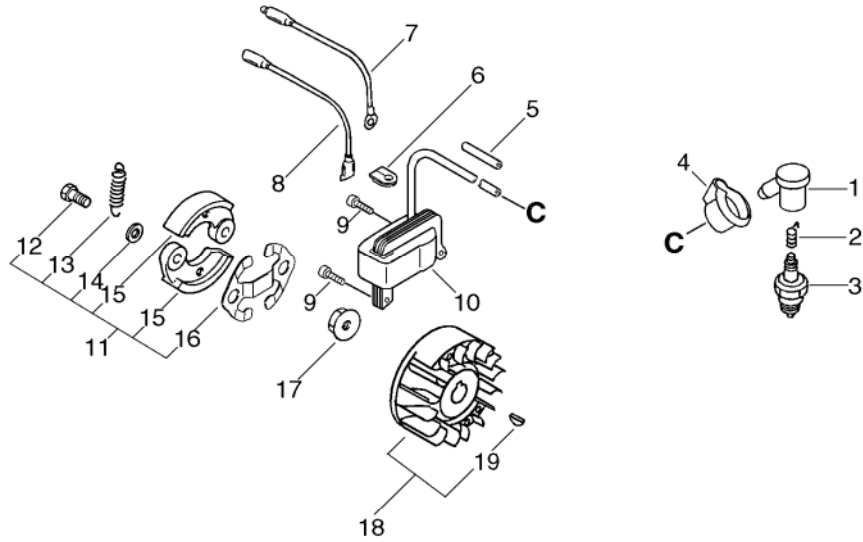
KEY	LV	PART NUMBER	Q'TY	DESCRIPTION	REMARKS	NOTE1	NOTE2
2		A130-000870	1	CYLINDER			
3		900162-05020	4	BOLT, H.S. 5*20	5*20 W,SW		
4		V100-000040	1	GASKET,CYL			
9		P021-014260	1	PISTON KIT			
10	+	100011-10530	1	RING, PISTON			
11	+	V608-000000	1	PIN,ENG 10			
12	+	V580-000010	2	RING,END	φ0.8		
13	+	100012-12331	1	BEARING, NEEDLE			
14	+	V307-000060	2	WASHER,CIRCULAR 10			
15		A011-000120	1	CRANKSHAFT,ASM			
16		P021-002471	1	CRANKCASE SET			
17	+	100213-05530	1	OILSEAL	ISCD 12 22 7		
18	+	94035-36201	1	BEARING BALL	6201X3JR2C3		
19	+	900810-36202	1	BEARING, BALL 6202	6202/C3		
20	+	V102-000001	1	GASKET,CRANKCASE			
21	+	100215-03930	4	PIN, DOWEL			
22	+	100213-00310	1	OILSEAL	ISCD 15 25 7		
23	+	900162-05035	4	BOLT, H.S. 5*35	5*35 W,SW		
24		A556-000151	1	DRUM,CLUTCH			
25		900702-00028	1	CIRCLIP 28	CR-28		
26		94042-06001	2	BEARING BALL	6001LLU		
27		900701-00012	1	CIRCLIP 12	CS-12		
30		610250-45930	1	BOLT			
31		A172-000140	1	COVER,FAN			
32		900241-04008	1	SCREW 4*8	4*8		
33		91118-05020	4	BOLT	CM-5*20		

1. CYLINDER, CRANKCASE, PISTON



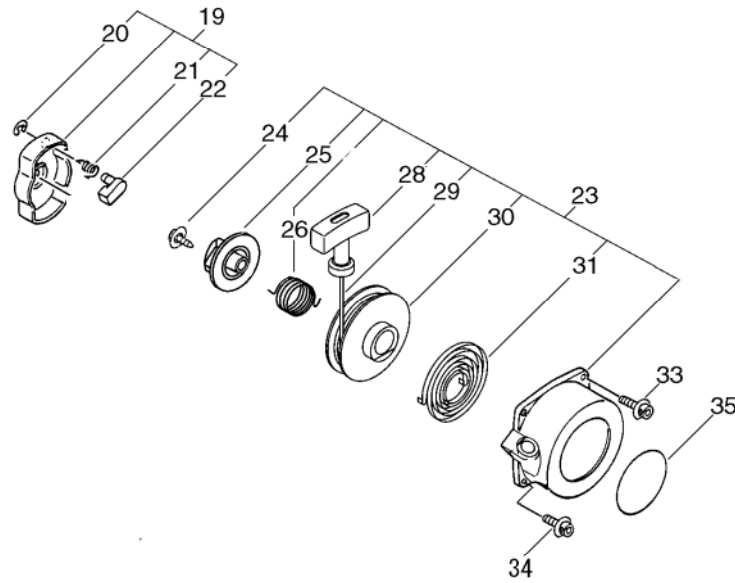
KEY	LV	PART NUMBER	Q'TY	DESCRIPTION	REMARKS	NOTE1	NOTE2
34		610251-45930	1	SPRING			
35		610252-45931	1	LOCKPIN			
36		91121-05020	1	BOLT, FLANGE	10.9 SILVER		
37		V353-000020	1	COLLAR,5	12*5.5*4.5L		
38		A162-000020	1	GUARD, TOP			
39		A160-000241	1	COVER, CYLINDER			
40		X547-001400	1	LABEL, ECHO	RM-410ES		
41		91121-05012	1	BOLT, FLANGE	10.9 SILVER		

2. MAGNETO



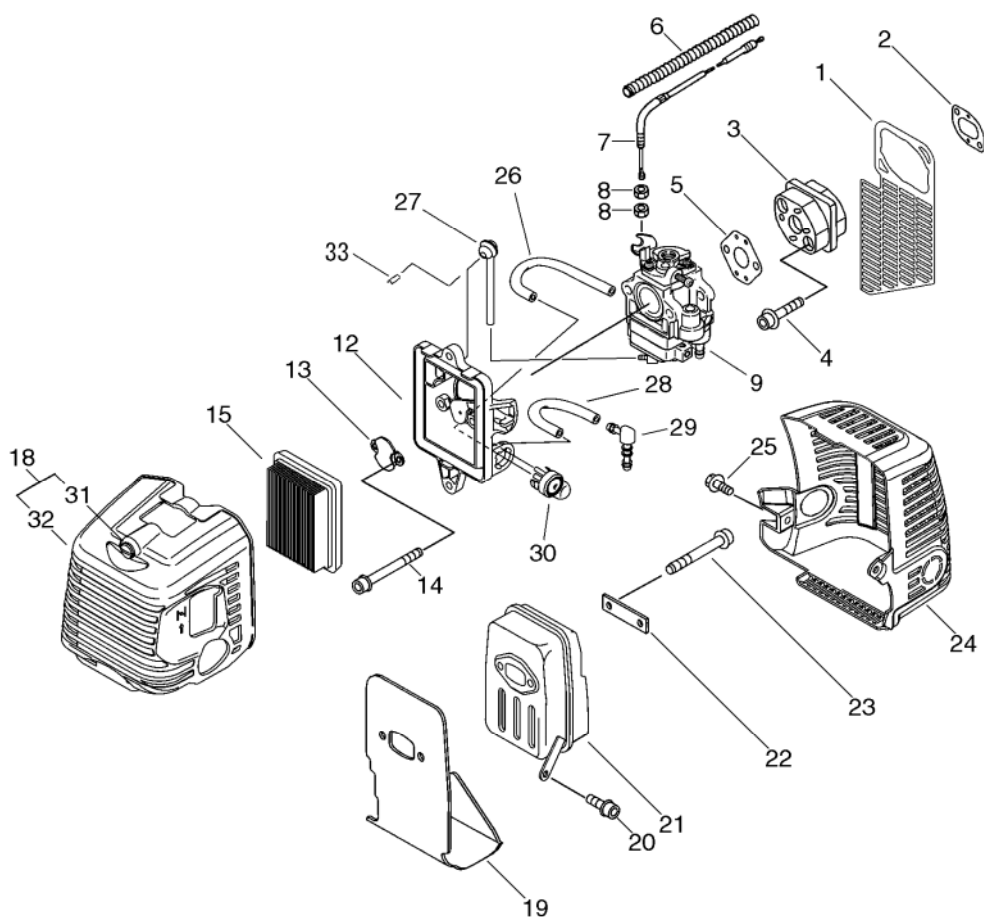
KEY	LV	PART NUMBER	Q'TY	DESCRIPTION	REMARKS	NOTE1	NOTE2
1		A427-000000	1	CAP, SPARK PLUG			
2		A426-000000	1	TERMINAL, SPARK PLUG			
3		159010-10230	1	PLUG, SPARK (BPMR-7A)	BPMR-7A		
4		V141-000020	1	GROMMET, PLUG			
5		V475-001610	1	TUBE	7*8.6*55 HST-10		
6		156114-04920	1	GROMMET			
7		162010-29330	1	LEAD, GROUND			
8		V485-000150	1	LEAD			
9		900162-05020	2	BOLT, H.S. 5*20	5*20 W, SW		
10		A411-000050	1	COIL, IGNITION			
11		P021-016610	1	CLUTCH ASY			
12	+	A557-000000	2	SHAFT, CLUTCH			
13	+	V451-000480	1	SPRING, TENSION			
14	+	175049-03920	2	WASHER			
15	+	A553-000040	2	ARM, CLUTCH			
16	+	V453-000100	1	SPRING, FLAT	10.2		
17		900519-00010	1	NUT, FLANGE 10	10*1.25		
18		P021-005911	1	ROTOR, MAGNETO KIT			
19	+	900323-03014	1	KEY WOODRUFF	3*14		

3. RECOIL STARTER



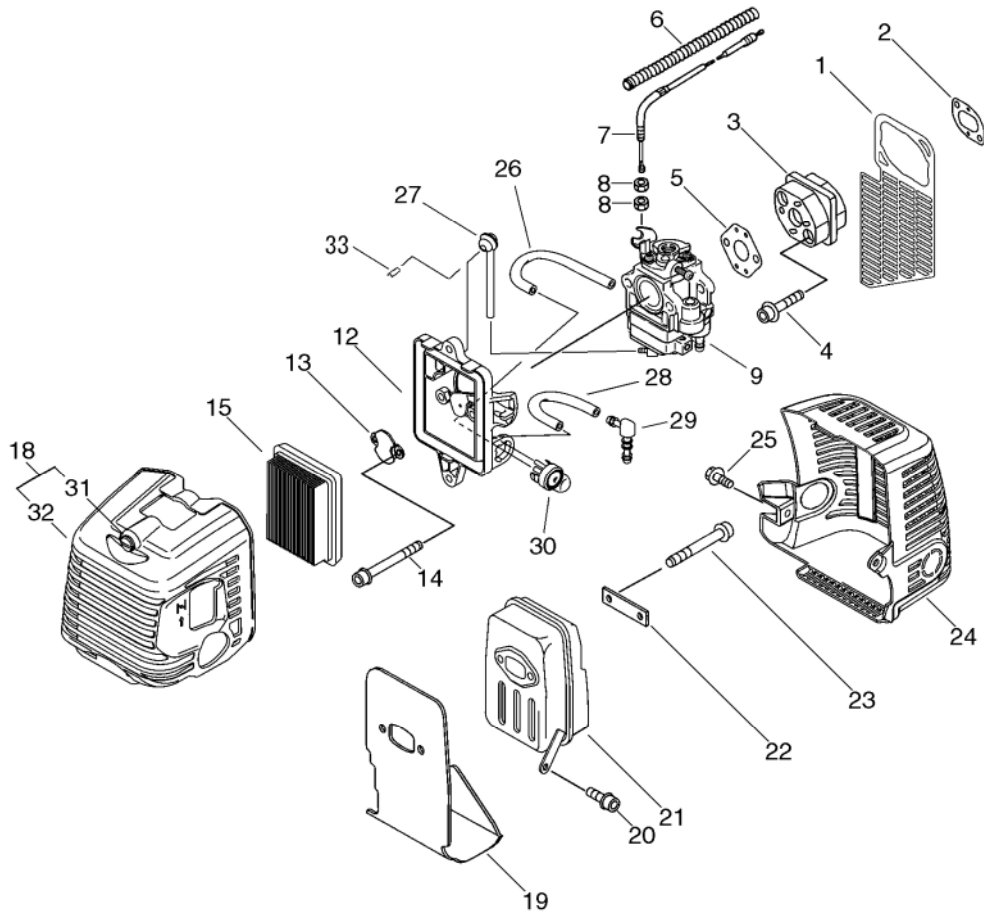
KEY	LV	PART NUMBER	Q'TY	DESCRIPTION	REMARKS	NOTE1	NOTE2
19		A052-000230	1	PULLEY,ASM STARTER			
20	+	P022-002100	2	E-RING	4		
21	+	P022-003130	2	SPRING, RETURN			
22	+	P022-023090	2	PAWL, STARTER			
23		A051-001350	1	STARTER,RECOIL ASY			
24	+	P022-023110	1	SCREW			
25	+	P022-023130	1	PLATE, CAM			
26	+	P022-023120	1	SPRING,DAMPER			
28	+	177228-27030	1	GRIP, STARTER			
29	+	P022-023100	1	ROPE, STARTER			
30	+	P022-023140	1	DRUM, STARTER			
31	+	P022-004680	1	SPRING, SPIRAL			
33		91121-05025	2	BOLT, FLANGE	10.9 SILVER		
34		91121-05020	2	BOLT, FLANGE	10.9 SILVER		
35		X502-000460	1	LABEL,ECHO			

4. AIR CLEANER, MUFFLER



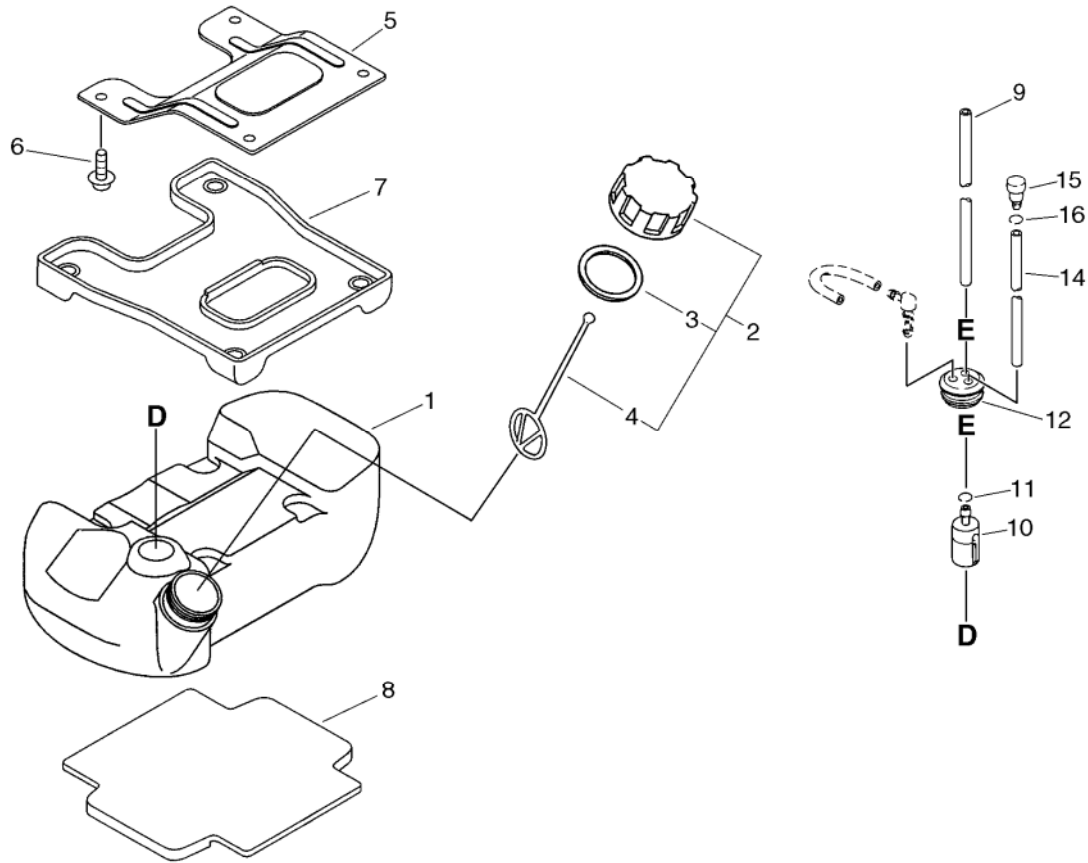
KEY	LV	PART NUMBER	Q'TY	DESCRIPTION	REMARKS	NOTE1	NOTE2
1		A128-000060	1	PLATE,DUST			
2		V103-000070	1	GASKET,INTAKE			
3		A200-000060	1	INSULATOR,INTAKE			
4		900106-05025	2	BOLT, H.S. 5*25	5*25		
5		V103-000080	1	GASKET,INTAKE			
6		V475-001510	1	TUBE			
7		V430-000310	1	CABLE,BOWDEN	L320*28		
8		900502-00006	2	NUT 6 (3N)	3N6		
9		A021-001171	1	CARBURETOR,DIAPHRAGM	WYK-226A		
12		P021-009590	1	CASE, AIR CLEANER			
13		A244-000010	1	PLATE,PREVENT			
14		900105-05055	2	BOLT, H.S. 5*55	5*55		
15		A226-000360	1	ELEMENT, AIR FILTER	AFP-2010K-300		
18		P021-009600	1	LID,CLEANER ASY			
32	+	A232-000320	1	LID,CLEANER			
31	+	V253-000100	2	SCREW,5	5*20		
19		V104-000210	1	GASKET,EXHAUST			
20		900162-05012	1	BOLT, H.S. 5*12	5*12 W,SW		
21		P021-008910	1	MUFFLER ASY			
22		V150-000550	1	PLATE,EYE			
23		900105-06060	2	BOLT, H.S. 6*60	6*60		
24		A320-000071	1	COVER,MUFFLER			
25		91121-05012	1	BOLT, FLANGE	10.9 SILVER		
26		V471-001560	1	PIPE	2.4*5*80		
27		132012-39331	1	PIPE	3*6*105		

4. AIR CLEANER, MUFFLER



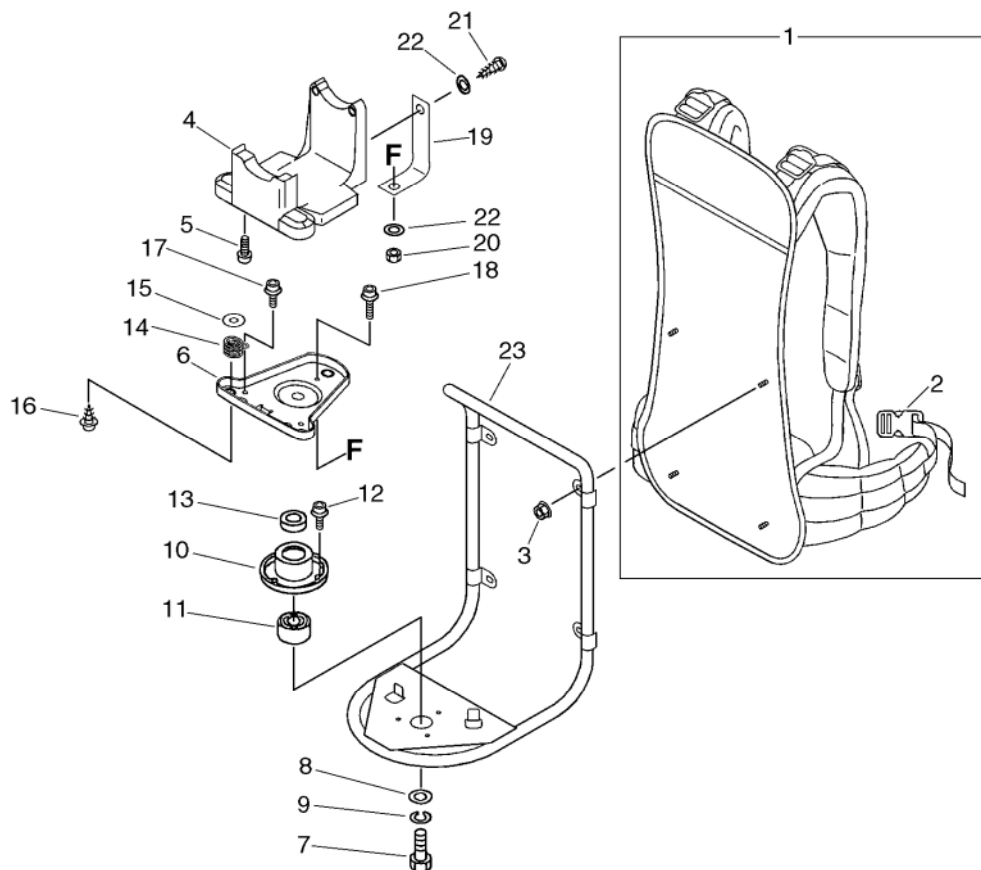
KEY	LV	PART NUMBER	Q'TY	DESCRIPTION	REMARKS	NOTE1	NOTE2
28		437215-20760	1	PIPE 3*6*60	3*6*60 YL		
29		V186-000080	1	JOINT,PIPE			
30		123181-39130	1	PUMP, PRIMER			
33		A239-000050	1	PIPE, INTAKE			

5. FUEL TANK



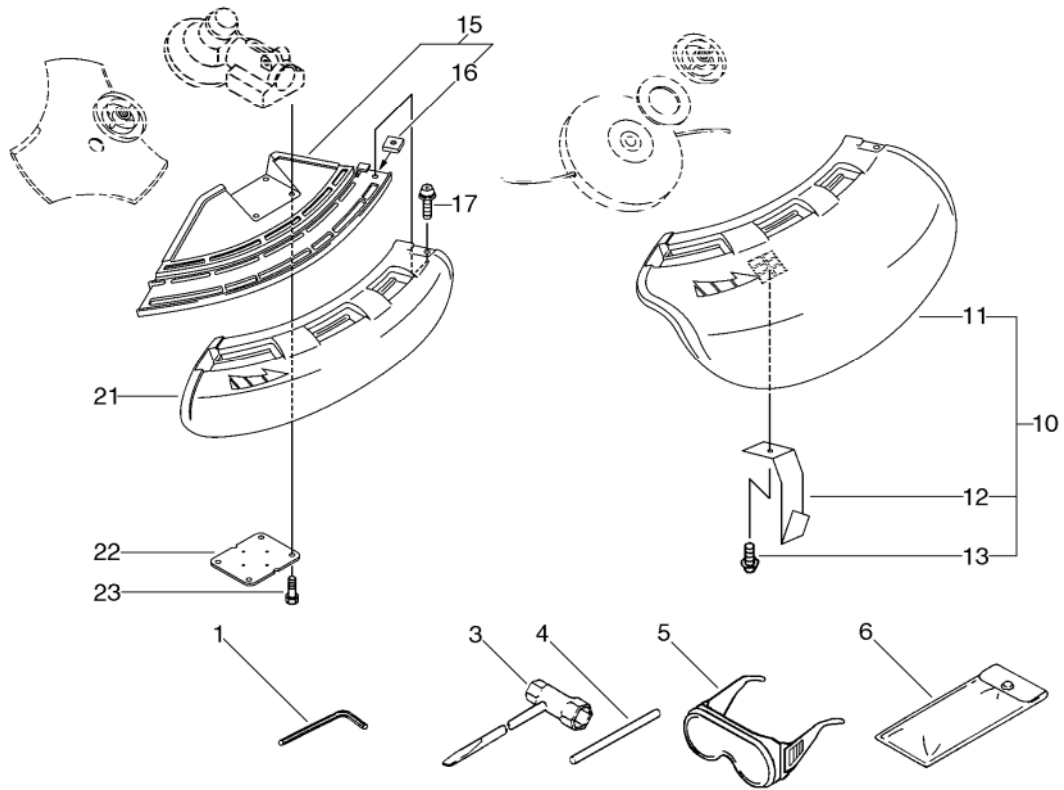
KEY	LV	PART NUMBER	Q'TY	DESCRIPTION	REMARKS	NOTE1	NOTE2
1		A350-000081	1	TANK,FUEL			
2		131004-55530	1	CAP ASSY, FUEL TANK			
3	+	131016-55830	1	GASKET, FUEL CAP			
4	+	131051-56030	1	CLIP, FUEL CAP	100L		
5		A393-000030	1	BRACKET,FUEL TANK			
6		900106-05012	4	BOLT, H.S. 5*12	5*12		
7		A390-000000	1	SEAT,FUEL TANK			
8		A390-000010	1	SEAT,FUEL TANK			
9		132010-53630	1	PIPE	3*6*180 NBR		
10		131205-19831	1	STRAINER, FUEL			
11		132013-26630	1	CLIP	6.5MM		
12		132115-55930	1	GROMMET, FUEL			
14		132012-02960	1	PIPE, FUEL	3*6*120L		
15		131300-56430	1	VALVE, CHECK			
16		132013-26630	1	CLIP	6.5MM		

6. BACKPACK HARNESS



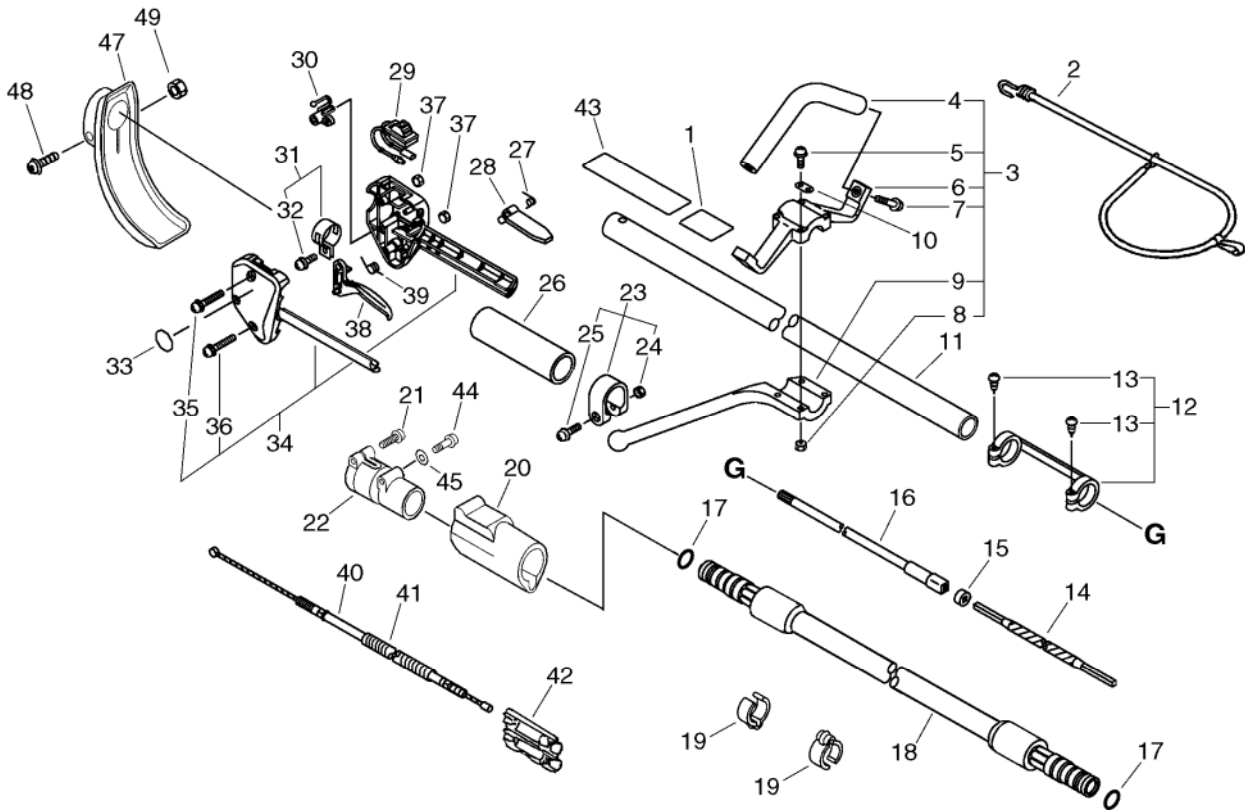
KEY	LV	PART NUMBER	Q'TY	DESCRIPTION	REMARKS	NOTE1	NOTE2
1		C061-000041	1	HARNESS,ASM BACKPACK			
2		P022-007890	1	BUCKLE	40MM		
3		900516-00005	4	NUT, FRANGE 5	5		
4		C632-000010	1	PLATE,ENG			
5		900106-05020	2	BOLT, H.S. 5*20	5*20		
6		C627-000020	1	PLATE,ROTATION			
7		900100-10025	1	BOLT 10*25	10*25		
8		900600-00010	1	WASHER 10	10		
9		900605-00010	1	WASHER, SPRING 10	10		
10		104926-56230	1	HOLDER, BEARING			
11		94064-06202	1	BEARING BALL	BB6202ZZ		
12		900106-05012	2	BOLT, H.S. 5*12	5*12		
13		604044-12560	1	COLLER15.3*21.5*3.2T	15.3*21.5*3.2T		
14		V450-000141	3	SPRING,COMPRESSION			
15		177214-02830	3	WASHER	5.2*16*1.0T		
16		91147-05020	3	BOLT HS FL TAPP			
17		91121-05012	3	BOLT, FLANGE	10.9 SILVER		
18		900106-05016	1	BOLT, H.S. 5*16	5*16		
19		C617-000090	1	STOPPER			
20		900502-00005	1	NUT 5 (3N)	3N5		
21		91145-05016	1	BOLT HS TAPPING	5*16		
22		900600-00005	2	WASHER 5	5		
23		C620-000110	1	FRAME,BACKPACK			

7. SHIELD



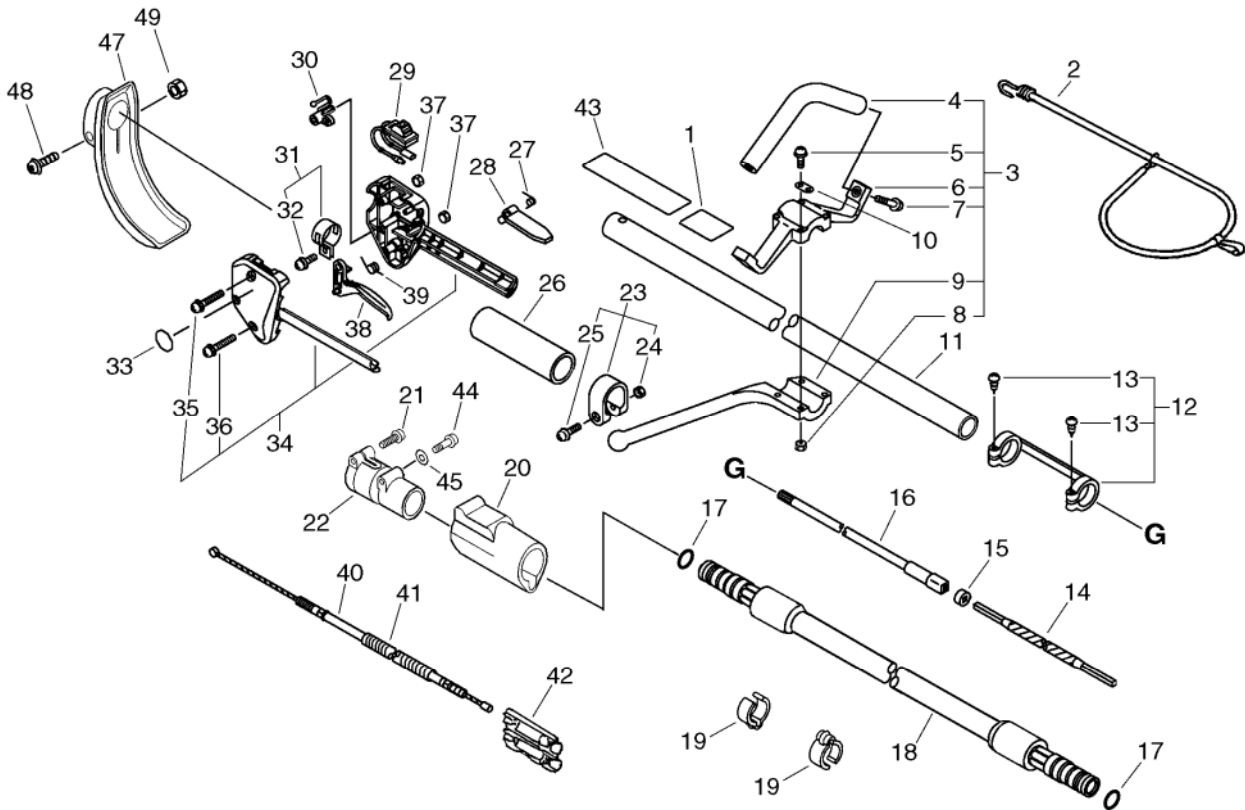
KEY	LV	PART NUMBER	Q'TY	DESCRIPTION	REMARKS	NOTE1	NOTE2
1		895610-00130	1	L-WRENCH (4MM)			
3		X602-000020	1	TOOL,WRENCH	17*19 L200		
4		X606-000080	1	TOOL,BAR	5*120		
5		X690-000050	1	GOGGLE	GOGGLE + NOTE		
6		898510-07130	1	BAG, TOOL			
10		P021-013770	1	SHIELD KIT			
11	+	C550-000080	1	SHIELD,BLADE			
12	+	C554-000030	1	KNIFE, CORD			
13	+	900252-05012	1	SCREW 5*12			
15		C550-000100	1	SHIELD,BLADE			
16	+	900565-00005	1	NUT	5		
17		900242-05018	1	SCREW 5*18	5*18		
21		C550-000090	1	SHIELD,BLADE			
22		699013-56830	1	PLATE, SHIELD			
23		91118-05025	4	BOLT			

8. DRIVE SHAFT



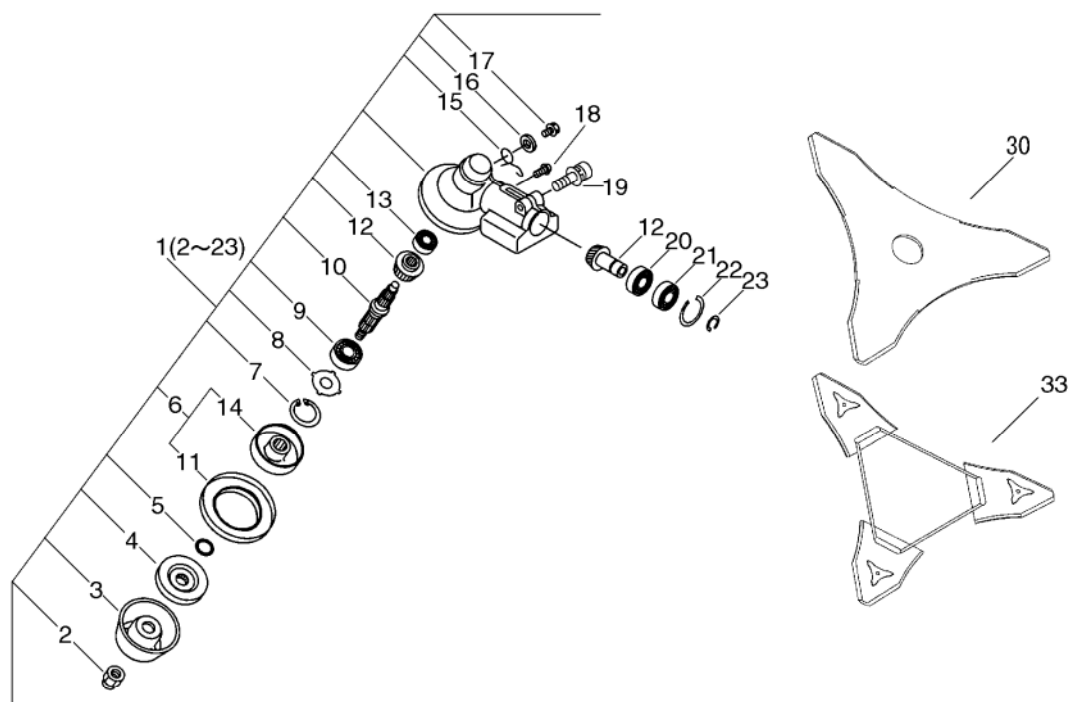
KEY	LV	PART NUMBER	Q'TY	DESCRIPTION	REMARKS	NOTE1	NOTE2
1		890160-42230	1	LABEL, CAUTION			
2		300500-07131	1	ROPE, ELASTIC			
3		351201-50431	1	HANDLE ASSY, LOOP			
4	+	351205-07131	1	HANDLE			
5	+	900242-05035	4	SCREW 5*35	5*35		
6	+	351232-07130	1	BRACKET, HANDLE 28			
7	+	900242-05014	2	SCREW 5*14			
8	+	900500-00005	4	NUT 5	5		
9	+	351643-55630	1	BRACKET, HANDLE			
10		300515-07130	1	PLATE, ROPE			
11		C050-000040	1	PIPE,MAIN			
12		610281-42230	1	COLLER			
13	+	900253-04025	2	SCREW 4*25	4*25		
14		610013-27630	1	SHAFT, FLEXIBLE(HARD)			
15		610020-07131	1	ADAPTER, FLX. SHAFT			
16		C504-000070	1	SHAFT,DRIVE			
17		900720-00018	2	O-RING 18	P-18		
18		C508-000020	1	COVER,FLEX SHAFT			
19		224924-52130	2	CLIP	25MM		
20		C483-000010	1	BOOT,CONNECTOR			
21		91118-05030	1	BOLT			
22		C510-000020	1	COUPLING,MAIN PIPE			
23		610272-51830	1	BAND			
24	+	900500-00005	1	NUT 5	5		
25	+	900242-05028	1	SCREW 5*28	5*28		
26		351213-51830	1	GRIP, FRONT HANDLE			

8. DRIVE SHAFT



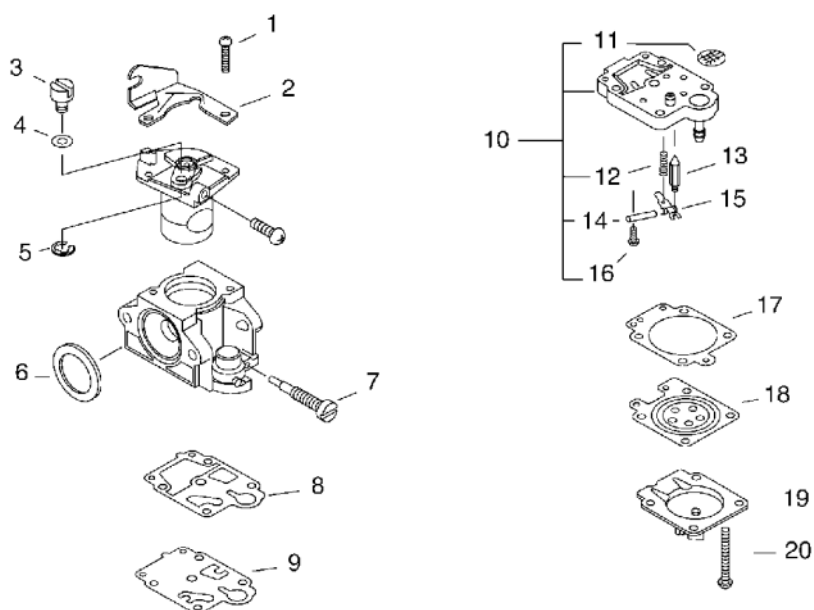
KEY	LV	PART NUMBER	Q'TY	DESCRIPTION	REMARKS	NOTE1	NOTE2
27		178013-52630	1	SPRING, THR. LOCK			
28		178090-52632	1	LOCKOUT, T. CONTROL			
29		163400-41630	1	SWITCH, IGNITION			
30		178012-52630	1	LOCKOUT, THROTTLE			
31		301200-42230	1	HOOK ASSY			
32	+	900242-05014	1	SCREW 5*14			
33		890157-39130	1	LABEL, SWITCH			
34		178003-51830	1	BRACKET SET, THROTTLE			
35	+	900242-05035	1	SCREW 5*35	5*35		
36	+	900242-05025	1	SCREW 5*25	5*25		
37	+	900500-00005	2	NUT 5	5		
38		178010-52130	1	CONTROL, THROTTLE			
39		178043-42230	1	SPRING, THR. RETURN			
40		V430-000321	1	CABLE, BOWDEN	940*64		
41		V475-001500	1	TUBE	7*740		
42		178081-55931	1	CONNECTOR, CABLE			
43		890617-43130	1	LABEL, CAUTION			
44		610257-56330	1	BOLT	5*30		
45		900600-00005	1	WASHER 5	5		
47		A248-000000	1	GUARD, LEVER			
48		900242-05025	1	SCREW 5*25	5*25		
49		900500-00005	1	NUT 5	5		

9. GEAR CASE



KEY	LV	PART NUMBER	Q'TY	DESCRIPTION	REMARKS	NOTE1	NOTE2
1		P021-012591	1	CASE,GEAR			
2	+	610320-52130	1	NUT 10			
3	+	699229-56830	1	PLATE, COVER			
4	+	610314-52130	1	PLATE, ADAPTER (L)			
5	+	900720-00012	1	O-RING 12	P-12		
6	+	610313-52932	1	FIXTURE,BLADE			
11	++	610352-56830	1	PLATE, CUP			
14	++	610313-52132	1	FIXTURE,BLADE			
7	+	900702-00032	1	CIRCLIP 32	CR-32		
8	+	610444-56830	1	WASHER			
9	+	900812-06201	1	BEARING, BALL 6201	6201DDU(LLU)		
10	+	610310-56931	1	SHAFT, P.T.O.			
12	+	610300-56930	1	GEAR SET			
13	+	900810-00629	1	BEARING, BALL 629			
15	+	610473-52131	1	SPRING			
16	+	900603-50008	1	WASHER	8.5*18*0.8T		
17	+	610434-50031	1	BOLT 8* 8	M8*8		
18	+	900242-05010	1	SCREW 5*10			
19	+	91118-06030	1	BOLT			
20	+	900800-06001	1	BEARING, BALL 6001			
21	+	900803-06001	1	BEARING, BALL 6001			
22	+	900702-00028	1	CIRCLIP 28	CR-28		
23	+	900701-00012	1	CIRCLIP 12	CS-12		
30		P021-014320	1	SAW,BUSH CUTTER	255*T3.0		
33		X495-000270	1	SCABBARD,BLADE			

10. CARBURETOR



KEY	LV	PART NUMBER	Q'TY	DESCRIPTION	REMARKS	NOTE1	NOTE2
		A021-001171	1	CARBURETOR,DIAPHRAGM	WYK-226A		
		A021-001172	1	CARBURETOR,DIAPHRAGM	WYK-226A		
1	+	123114-40630	2	SCREW			
2	+	P003-000180	1	BRACKET CABLE			
3	+	123172-45130	1	SWIVEL			
4	+	123149-54230	1	WASHER			
5	+	123173-07930	1	CLIP			
6	+	123143-12110	1	RING, PACKING			
7	+	P003-001130	1	NEEDLE, HIGH SPEED			
8	+	P003-000100	1	GASKET, PUMP			
9	+	123112-40630	1	DIAPHRAGM, PUMP			
10	+	P003-001490	1	BODY ASSEMBLY, PUMP			
11	++	123126-10631	1	SCREEN, INLET			
12	++	123122-05560	1	SPRING, METER. LEVER			
13	++	123137-19830	1	VALVE, INLET NEEDLE			
14	++	123138-03930	1	PIN, METERING LEVER			
15	++	123123-03930	1	LEVER, METERING			
16	++	123139-05560	1	SCREW, M. LEVER PIN			
17	+	123140-27230	1	GASKET,M. DIAPHRAGM			
18	+	P003-000090	1	METERING, DIAPHRAGM			
18	+	P003-001850	1	DIAPHRAGM, METERING			
19	+	P003-001500	1	COVER, PRIMER PUMP			
20	+	123144-44330	4	SCREW			

Index

Patrs Number	Key No.	Patrs Number	Key No.	Patrs Number	Key No.
100011-10530	1 - 10	301200-42230	8 - 31	900242-05018	7 - 17
100012-12331	1 - 13	351201-50431	8 - 3	900242-05025	8 - 36
100213-00310	1 - 22	351205-07131	8 - 4	900242-05025	8 - 48
100213-05530	1 - 17	351213-51830	8 - 26	900242-05028	8 - 25
100215-03930	1 - 21	351232-07130	8 - 6	900242-05035	8 - 5
104926-56230	6 - 10	351643-55630	8 - 9	900242-05035	8 - 35
123112-40630	10 - 9	437215-20760	4 - 28	900252-05012	7 - 13
123114-40630	10 - 1	604044-12560	6 - 13	900253-04025	8 - 13
123122-05560	10 - 12	610013-27630	8 - 14	900323-03014	2 - 19
123123-03930	10 - 15	610020-07131	8 - 15	900500-00005	8 - 8
123126-10631	10 - 11	610250-45930	1 - 30	900500-00005	8 - 24
123137-19830	10 - 13	610251-45930	1 - 34	900500-00005	8 - 37
123138-03930	10 - 14	610252-45931	1 - 35	900500-00005	8 - 49
123139-05560	10 - 16	610257-56330	8 - 44	900502-00005	6 - 20
123140-27230	10 - 17	610272-51830	8 - 23	900502-00006	4 - 8
123143-12110	10 - 6	610281-42230	8 - 12	900516-00005	6 - 3
123144-44330	10 - 20	610300-56930	9 - 12	900519-00010	2 - 17
123149-54230	10 - 4	610310-56931	9 - 10	900565-00005	7 - 16
123172-45130	10 - 3	610313-52132	9 - 14	900600-00005	6 - 22
123173-07930	10 - 5	610313-52932	9 - 6	900600-00005	8 - 45
123181-39130	4 - 30	610314-52130	9 - 4	900600-00010	6 - 8
131004-55530	5 - 2	610320-52130	9 - 2	900603-50008	9 - 16
131016-55830	5 - 3	610352-56830	9 - 11	900605-00010	6 - 9
131051-56030	5 - 4	610434-50031	9 - 17	900701-00012	1 - 27
131205-19831	5 - 10	610444-56830	9 - 8	900701-00012	9 - 23
131300-56430	5 - 15	610473-52131	9 - 15	900702-00028	1 - 25
132010-53630	5 - 9	699013-56830	7 - 22	900702-00028	9 - 22
132012-02960	5 - 14	699229-56830	9 - 3	900702-00032	9 - 7
132012-39331	4 - 27	890157-39130	8 - 33	900720-00012	9 - 5
132013-26630	5 - 11	890160-42230	8 - 1	900720-00018	8 - 17
132013-26630	5 - 16	890617-43130	8 - 43	900800-06001	9 - 20
132115-55930	5 - 12	895610-00130	7 - 1	900803-06001	9 - 21
156114-04920	2 - 6	898510-07130	7 - 6	900810-00629	9 - 13
159010-10230	2 - 3	900100-10025	6 - 7	900810-36202	1 - 19
162010-29330	2 - 7	900105-05055	4 - 14	900812-06201	9 - 9
163400-41630	8 - 29	900105-06060	4 - 23	91118-05020	1 - 33
175049-03920	2 - 14	900106-05012	5 - 6	91118-05025	7 - 23
177214-02830	6 - 15	900106-05012	6 - 12	91118-05030	8 - 21
177228-27030	3 - 28	900106-05016	6 - 18	91118-06030	9 - 19
178003-51830	8 - 34	900106-05020	6 - 5	91121-05012	1 - 41
178010-52130	8 - 38	900106-05025	4 - 4	91121-05012	4 - 25
178012-52630	8 - 30	900162-05012	4 - 20	91121-05012	6 - 17
178013-52630	8 - 27	900162-05020	1 - 3	91121-05020	1 - 36
178043-42230	8 - 39	900162-05020	2 - 9	91121-05020	3 - 34
178081-55931	8 - 42	900162-05035	1 - 23	91121-05025	3 - 33
178090-52632	8 - 28	900241-04008	1 - 32	91145-05016	6 - 21
224924-52130	8 - 19	900242-05010	9 - 18	91147-05020	6 - 16
300500-07131	8 - 2	900242-05014	8 - 7	94035-36201	1 - 18
300515-07130	8 - 10	900242-05014	8 - 32	94042-06001	1 - 26

Index

Patrs Number	Key No.	Patrs Number	Key No.	Patrs Number	Key No.
94064-06202	6 - 11	P003-001850	10 - 18	X690-000050	7 - 5
A011-000120	1 - 15	P021-002471	1 - 16		
A021-001171	4 - 9	P021-005911	2 - 18		
A021-001171	10 -	P021-008910	4 - 21		
A021-001172	10 -	P021-009590	4 - 12		
A051-001350	3 - 23	P021-009600	4 - 18		
A052-000230	3 - 19	P021-012591	9 - 1		
A128-000060	4 - 1	P021-013770	7 - 10		
A130-000870	1 - 2	P021-014260	1 - 9		
A160-000241	1 - 39	P021-014320	9 - 30		
A162-000020	1 - 38	P021-016610	2 - 11		
A172-000140	1 - 31	P022-002100	3 - 20		
A200-000060	4 - 3	P022-003130	3 - 21		
A226-000360	4 - 15	P022-004680	3 - 31		
A232-000320	4 - 32	P022-007890	6 - 2		
A239-000050	4 - 33	P022-023090	3 - 22		
A244-000010	4 - 13	P022-023100	3 - 29		
A248-000000	8 - 47	P022-023110	3 - 24		
A320-000071	4 - 24	P022-023120	3 - 26		
A350-000081	5 - 1	P022-023130	3 - 25		
A390-000000	5 - 7	P022-023140	3 - 30		
A390-000010	5 - 8	V100-000040	1 - 4		
A393-000030	5 - 5	V102-000001	1 - 20		
A411-000050	2 - 10	V103-000070	4 - 2		
A426-000000	2 - 2	V103-000080	4 - 5		
A427-000000	2 - 1	V104-000210	4 - 19		
A553-000040	2 - 15	V141-000020	2 - 4		
A556-000151	1 - 24	V150-000550	4 - 22		
A557-000000	2 - 12	V186-000080	4 - 29		
C050-000040	8 - 11	V253-000100	4 - 31		
C061-000041	6 - 1	V307-000060	1 - 14		
C483-000010	8 - 20	V353-000020	1 - 37		
C504-000070	8 - 16	V430-000310	4 - 7		
C508-000020	8 - 18	V430-000321	8 - 40		
C510-000020	8 - 22	V450-000141	6 - 14		
C550-000080	7 - 11	V451-000480	2 - 13		
C550-000090	7 - 21	V453-000100	2 - 16		
C550-000100	7 - 15	V471-001560	4 - 26		
C554-000030	7 - 12	V475-001500	8 - 41		
C617-000090	6 - 19	V475-001510	4 - 6		
C620-000110	6 - 23	V475-001610	2 - 5		
C627-000020	6 - 6	V485-000150	2 - 8		
C632-000010	6 - 4	V580-000010	1 - 12		
P003-000090	10 - 18	V608-000000	1 - 11		
P003-000100	10 - 8	X495-000270	9 - 33		
P003-000180	10 - 2	X502-000460	3 - 35		
P003-001130	10 - 7	X547-001400	1 - 40		
P003-001490	10 - 10	X602-000020	7 - 3		
P003-001500	10 - 19	X606-000080	7 - 4		

YAMABIKO CORPORATION

7-2 SUEHIROCHO 1-CHOME, OHME, TOKYO 198-8760, JAPAN
PHONE: 81-428-32-6118. FAX: 81-428-32-6145.



11Cb
No. 65-110