

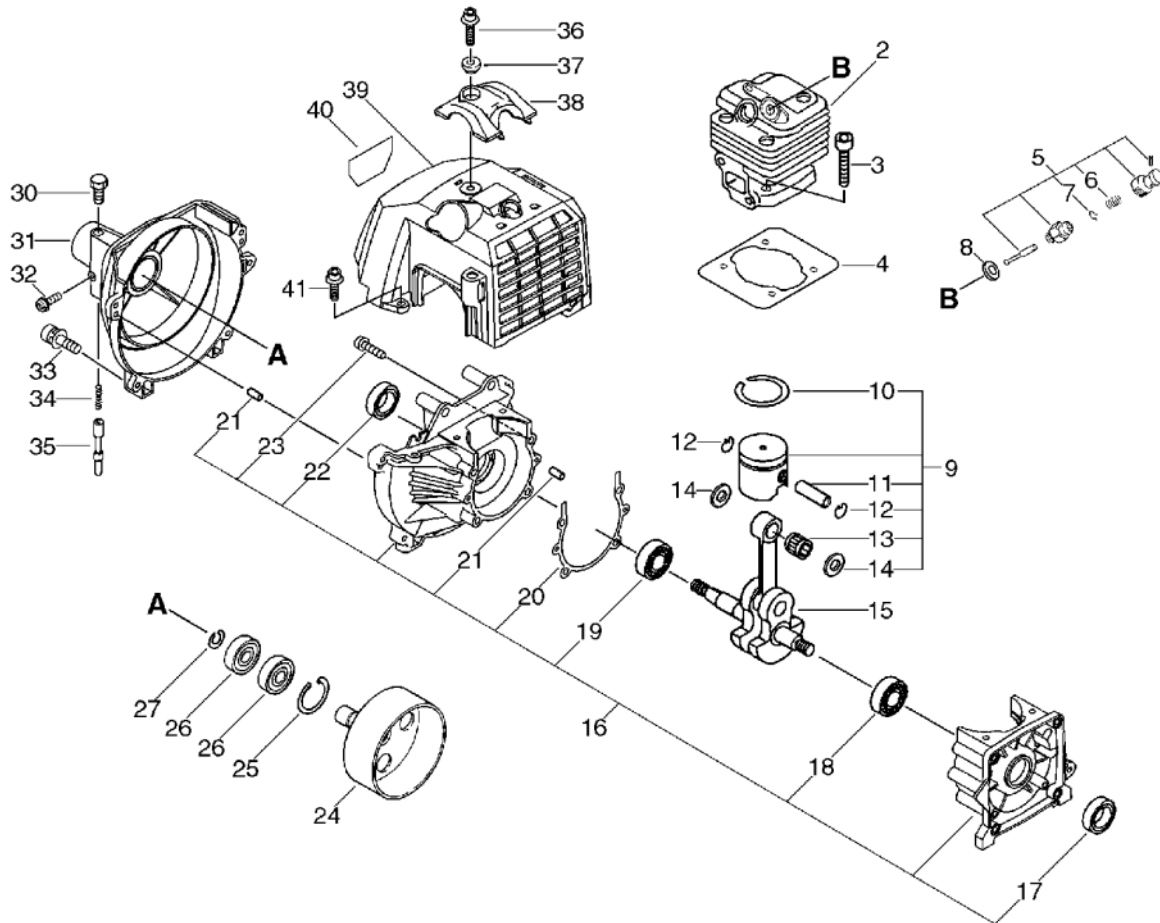


# **PARTS CATALOGUE**

## **BACKPACK BRUSHCUTTER RM-4000(6digits)(35)(36)**

RM-4000(6digits)(35)(36)

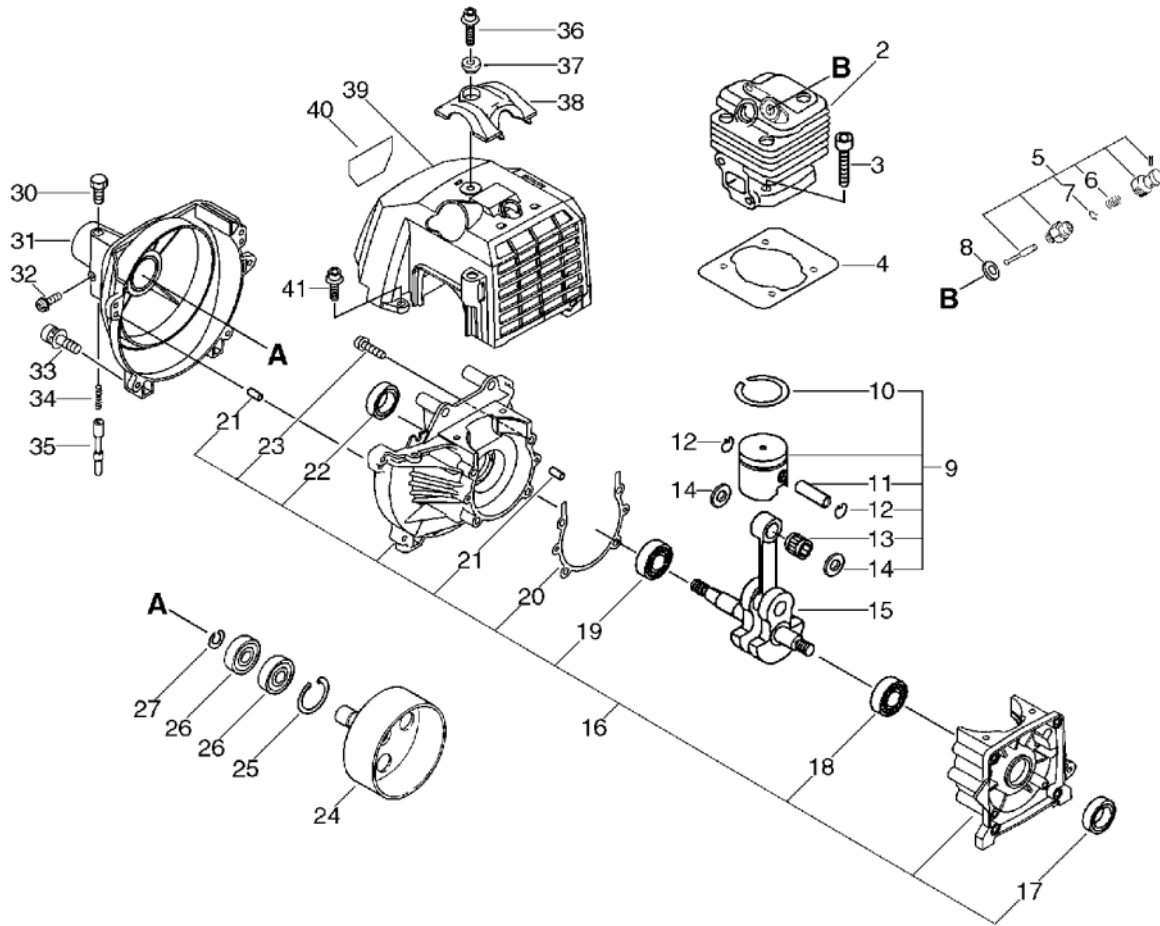
1. Cylinder, Crankcase, Piston, Fan Cover(Sr/Nr 36004202 and before)



KEY	LV	PART NUMBER	Q'TY	DESCRIPTION	REMARKS	NOTE1	NOTE2
2		A130-000200	1	CYLINDER		Sus. by A130-000203	
2		A130-000201	1	CYLINDER		Sus. by A130-000203	
2		A130-000202	1	CYLINDER		Sus. by A130-000203	
2		A130-000203	1	CYLINDER		Sr/Nr 36002808 and before	
2		A130-000720	1	CYLINDER		Sus. by A130-000721	
2		A130-000721	1	CYLINDER		Sr/Nr 36002809 and after	
3		900162-05020	4	BOLT, H.S. 5*20	5*20 W,SW		
4		V100-000040	1	GASKET,CYL			
5		A014-000000	1	DECOMP,ASM			
6	+	101113-37530	1	SPRING			
7	+	P022-002110	1	CLIP			
8		159025-37530	1	GASKET			
9		P021-002460	1	PISTON KIT			
9		P021-002461	1	PISTON KIT		Sr/Nr 36002808 and before	
9		P021-009470	1	PISTON KIT		Sr/Nr 36002809 and after	Sus. by P021-011210

ore)

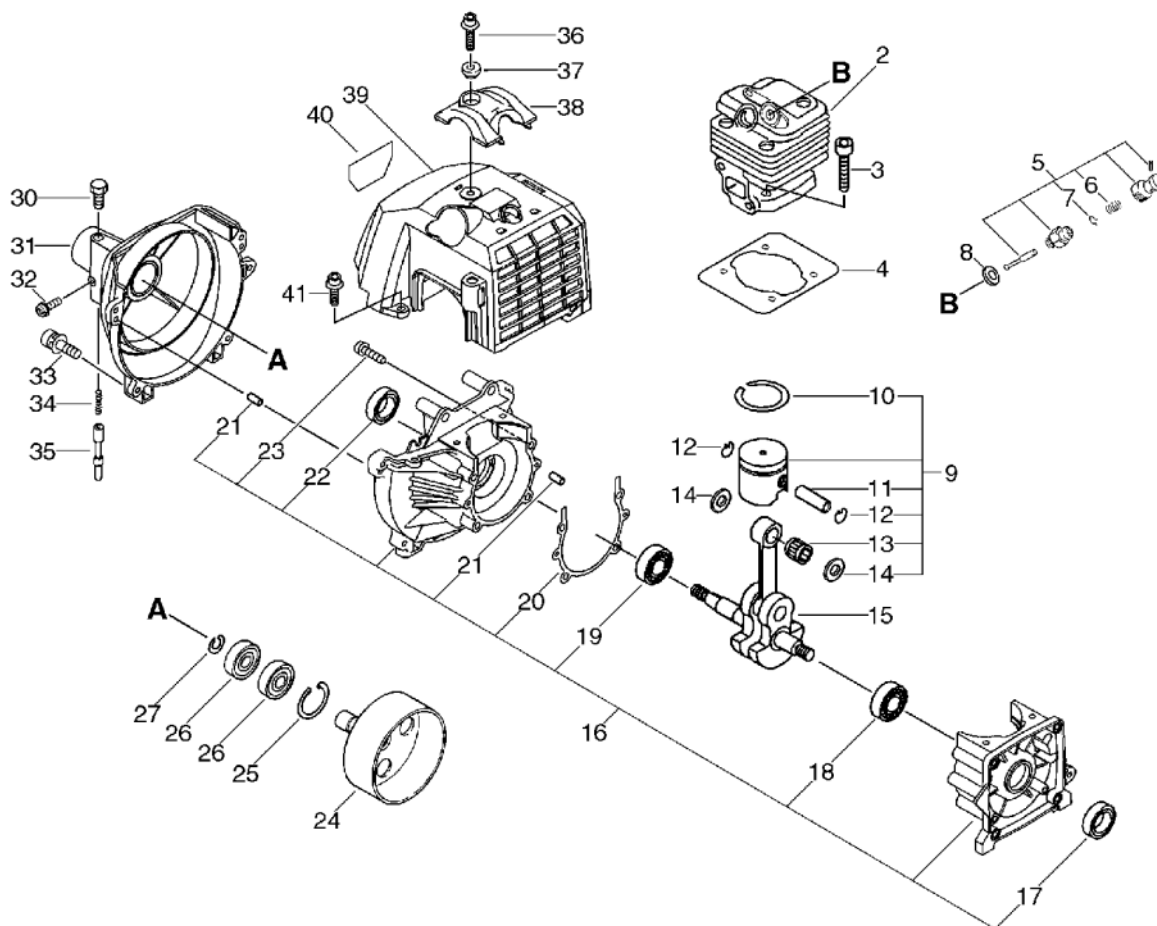
1. Cylinder, Crankcase, Piston, Fan Cover(Sr/Nr 36004202 and before)



KEY	LV	PART NUMBER	Q'TY	DESCRIPTION	REMARKS	NOTE1	NOTE2
10	+	100011-10530	2	RING, PISTON		Can be used on P021-002460,-1 only	
10	+	100011-10530	1	RING, PISTON		Can be used on P021-009470 only	
11	+	V608-000000	1	PIN,ENG 10			
12	+	100015-00120	2	CIRCLIP, PISTON PIN		Can be used on P021-002460,-1 only	
12	+	V580-000010	2	RING,END	φ0.8	Can be used on P021-009470 only	
13	+	100012-12331	1	BEARING, NEEDLE			
14	+	V307-000060	2	WASHER,CIRCULAR 10			
15		A011-000120	1	CRANKSHAFT,ASM			
16		P021-002470	1	CRANKCASE SET		Sus. by P021-002471	
16		P021-002471	1	CRANKCASE SET			
17	+	100213-05530	1	OILSEAL	ISCD 12 22 7		
18	+	94035-36201	1	BEARING BALL	6201X3JR2C3		
19	+	900810-36202	1	BEARING, BALL 6202	6202/C3		
20	+	V102-000000	1	GASKET,CRANKCASE		Sus. by V102-000001	
20	+	V102-000001	1	GASKET,CRANKCASE			
21	+	100215-03930	4	PIN, DOWEL			

ore)

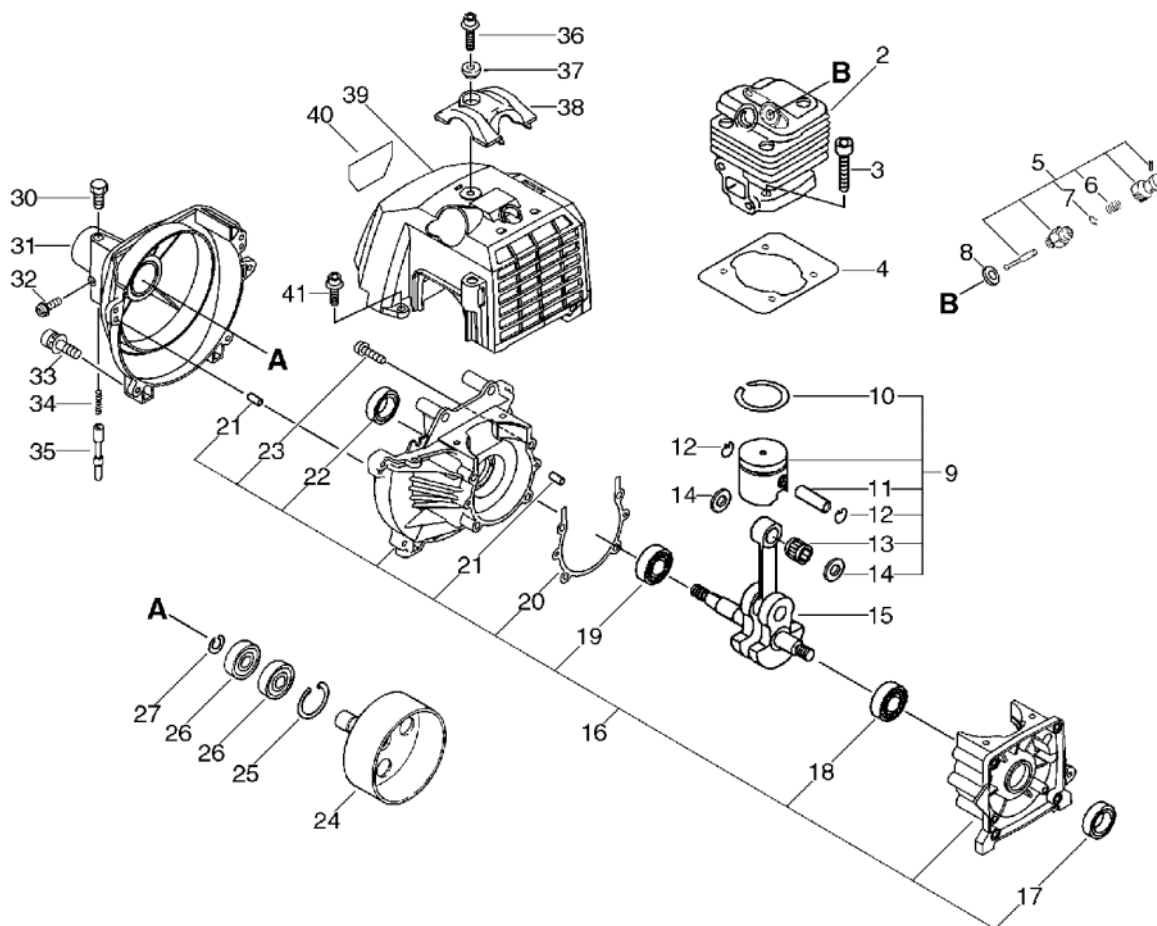
1. Cylinder, Crankcase, Piston, Fan Cover(Sr/Nr 36004202 and before)



KEY	LV	PART NUMBER	Q'TY	DESCRIPTION	REMARKS	NOTE1	NOTE2
22	+	100213-00310	1	OILSEAL	ISCD 15 25 7		
23	+	900162-05035	4	BOLT, H.S. 5*35	5*35 W,SW		
24		A556-000150	1	DRUM,CLUTCH		Sus. by A556-000151	
24		A556-000151	1	DRUM,CLUTCH			
25		900702-00028	1	CIRCLIP 28	CR-28		
26		94042-06001	2	BEARING BALL	6001LLU		
27		900701-00012	1	CIRCLIP 12	CS-12		
30		610250-45930	1	BOLT			
31		A172-000140	1	COVER,FAN			
32		900241-04008	1	SCREW 4*8	4*8		
33		900162-05020	4	BOLT, H.S. 5*20	5*20 W,SW	Sus. by 91118-05020	
34		610251-45930	1	SPRING			
35		610252-45931	1	LOCKPIN			
36		900106-05020	1	BOLT, H.S. 5*20	5*20	Sus. by 91121-05020	
37		V353-000020	1	COLLAR,5	12*5.5*4.5L		
38		A162-000020	1	GUARD, TOP			
39		A160-000240	1	COVER,CYLINDER		Sus. by A160-000241	
39		A160-000241	1	COVER,CYLINDER			
40		X503-001960	1	LABEL,MODEL	RM-4000	Sus. by X547-001080	
41		900106-05012	1	BOLT, H.S. 5*12	5*12	Sus. by 91121-05012	

ore)

2. Cylinder, Crankcase, Piston, Fan Cover(Sr/Nr 36004203 and after)

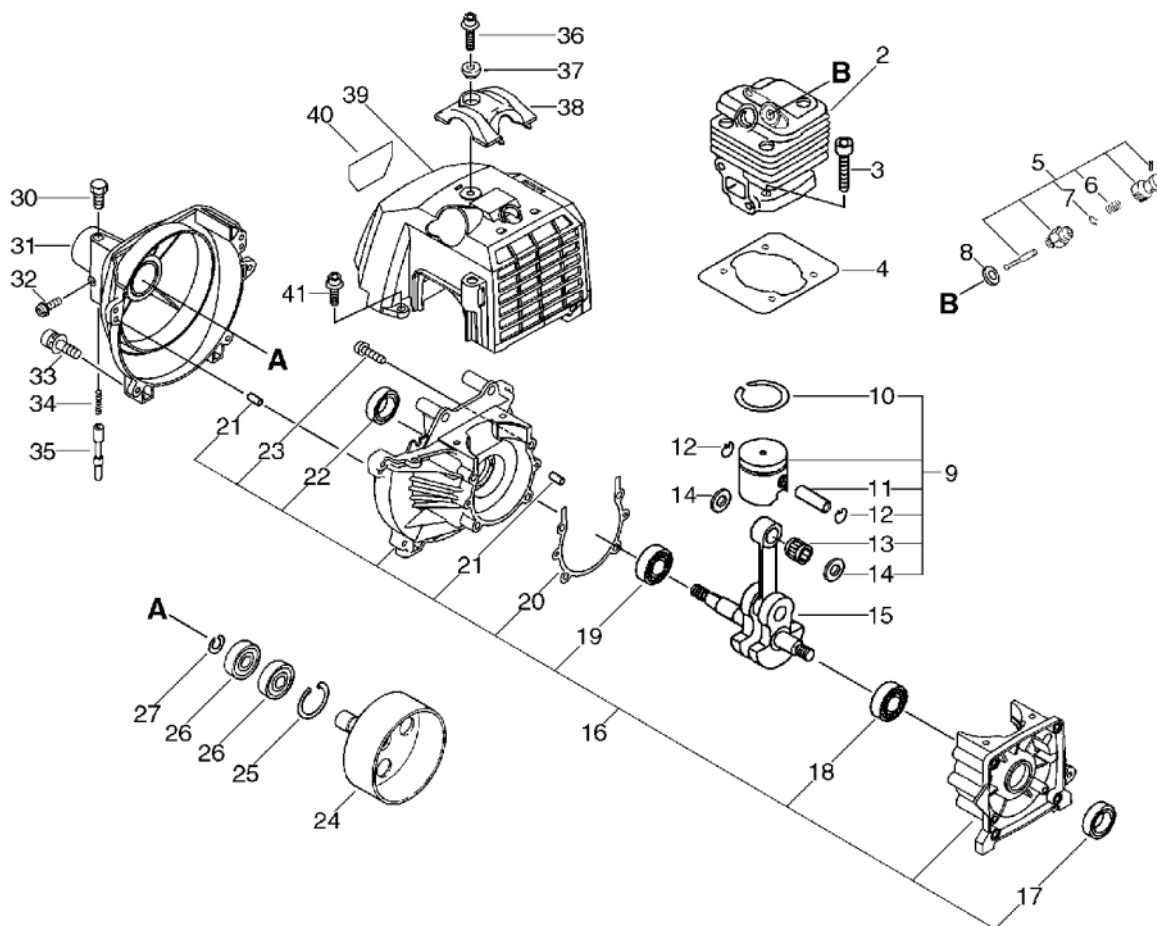


KEY	LV	PART NUMBER	Q'TY	DESCRIPTION	REMARKS	NOTE1	NOTE2
2		A130-000721	1	CYLINDER		Sus. by A130-000880	
3		900162-05020	4	BOLT, H.S. 5*20	5*20 W,SW		
4		V100-000040	1	GASKET,CYL			
5		A014-000000	1	DECOMP,ASM		Sus. by A014-000030	
6	+	101113-37530	1	SPRING			
7	+	P022-002110	1	CLIP			
8		159025-37530	1	GASKET			
9		P021-011210	1	PISTON KIT		Sus. by P021-014260	
10	+	100011-10530	1	RING, PISTON			
11	+	V608-000000	1	PIN,ENG 10			
12	+	V580-000010	2	RING,END	φ0.8		
13	+	100012-12331	1	BEARING, NEEDLE			
14	+	V307-000060	2	WASHER,CIRCULAR 10			
15		A011-000120	1	CRANKSHAFT,ASM			
16		P021-002471	1	CRANKCASE SET			
17	+	100213-05530	1	OILSEAL	ISCD 12 22 7		
18	+	94035-36201	1	BEARING BALL	6201X3JR2C3		
19	+	900810-36202	1	BEARING, BALL 6202	6202/C3		
20	+	V102-000001	1	GASKET,CRANKCASE			
21	+	100215-03930	4	PIN, DOWEL			
22	+	100213-00310	1	OILSEAL	ISCD 15 25 7		
23	+	900162-05035	4	BOLT, H.S. 5*35	5*35 W,SW		
24		A556-000151	1	DRUM,CLUTCH			



er)

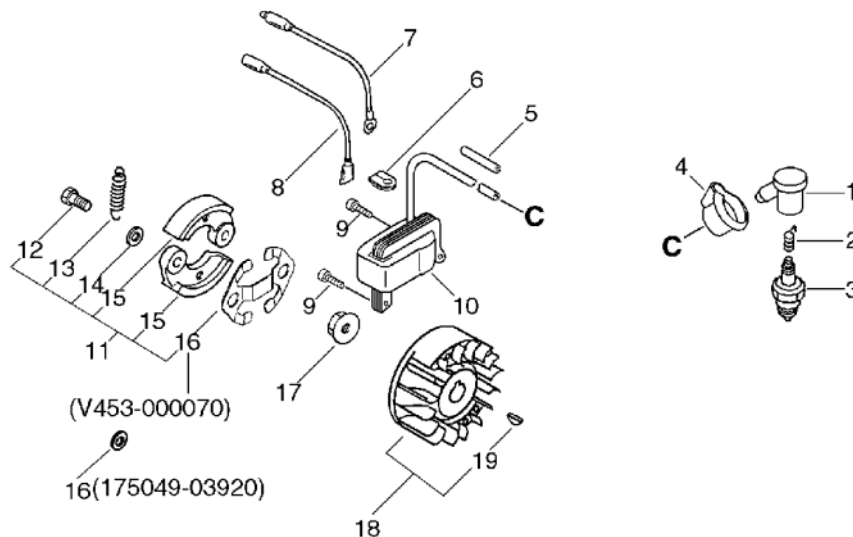
2. Cylinder, Crankcase, Piston, Fan Cover(Sr/Nr 36004203 and after)



KEY	LV	PART NUMBER	Q'TY	DESCRIPTION	REMARKS	NOTE1	NOTE2
25		900702-00028	1	CIRCLIP 28	CR-28		
26		94042-06001	2	BEARING BALL	6001LLU		
27		900701-00012	1	CIRCLIP 12	CS-12		
30		610250-45930	1	BOLT			
31		A172-000140	1	COVER,FAN			
32		900241-04008	1	SCREW 4*8	4*8		
33		900162-05020	4	BOLT, H.S. 5*20	5*20 W,SW		
33		91118-05020	4	BOLT	CM-5*20		
34		610251-45930	1	SPRING			
35		610252-45931	1	LOCKPIN			
36		900106-05020	1	BOLT, H.S. 5*20	5*20	Sus. by 91121-05020	
36		91121-05020	1	BOLT, FLANGE	10.9 SILVER		
37		V353-000020	1	COLLAR,5	12*5.5*4.5L		
38		A162-000020	1	GUARD, TOP			
39		A160-000241	1	COVER,CYLINDER			
40		X503-001960	1	LABEL,MODEL	RM-4000	Sus. by X547-001080	
40		X547-001080	1	LABEL,ECHO	ECHO+RM-4000		
41		900106-05012	1	BOLT, H.S. 5*12	5*12	Sus. by 91121-05012	
41		91121-05012	1	BOLT, FLANGE	10.9 SILVER		

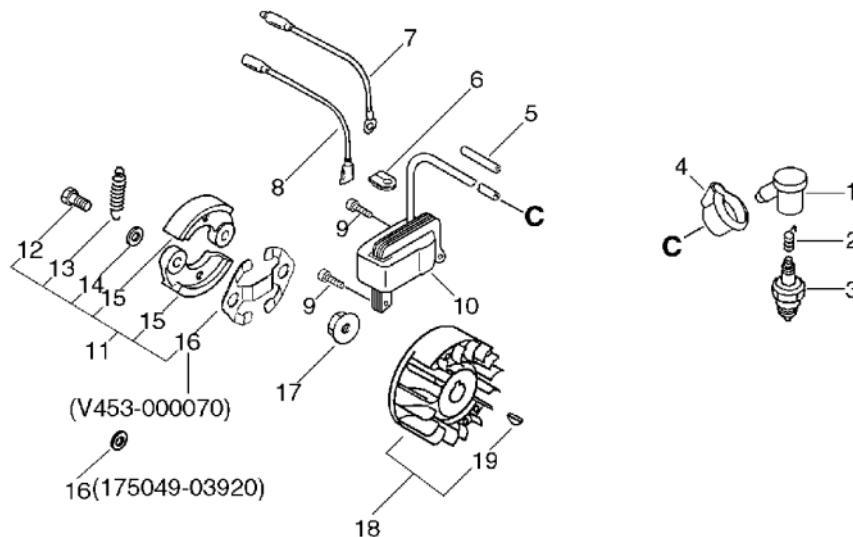
er)

### 3. Magneto, Clutch



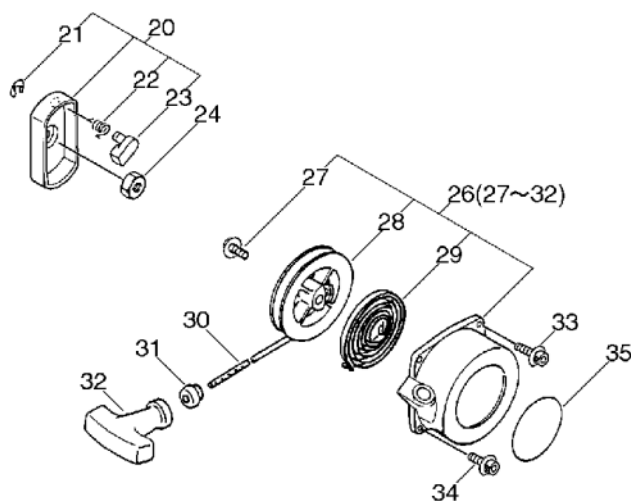
KEY	LV	PART NUMBER	Q'TY	DESCRIPTION	REMARKS	NOTE1	NOTE2
1		A427-000000	1	CAP, SPARK PLUG			
2		A426-000000	1	TERMINAL, SPARK PLUG			
3		159010-10230	1	PLUG, SPARK (BPMR-7A)	BPMR-7A		
4		V141-000020	1	GROMMET, PLUG			
5		V475-001610	1	TUBE	7*8.6*55 HST-10		
6		156114-04920	1	GROMMET			
7		162010-29330	1	LEAD, GROUND			
8		V485-000150	1	LEAD			
9		900162-05020	2	BOLT, H.S. 5*20	5*20 W, SW		
10		A411-000050	1	COIL, IGNITION			
11		P021-002480	1	CLUTCH ASY		Sus. By P021-008190	
11		P021-002481	1	CLUTCH ASY		Sus. By P021-008190	
11		P021-008190	1	CLUTCH ASY			
12	+	A557-000000	2	SHAFT, CLUTCH			
13	+	V451-000230	1	SPRING, TENSION		Sus. by V451-000480	
13	+	V451-000480	1	SPRING, TENSION			
14	+	V346-000000	2	WASHER, WAVE		Sr/Nr 36001095 and before	
14	+	175048-03920	2	WASHER		Sr/Nr 36001095 and after	
15	+	A553-000030	2	ARM, CLUTCH		Sr/Nr 36001095 and before	

### 3. Magneto, Clutch



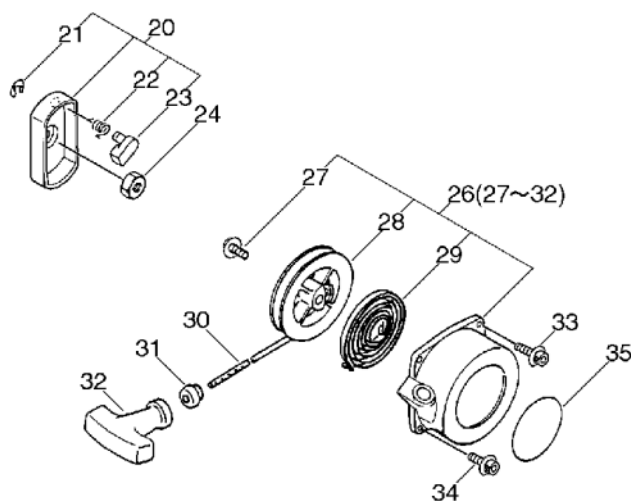
KEY	LV	PART NUMBER	Q'TY	DESCRIPTION	REMARKS	NOTE1	NOTE2
15	+	A553-000040	2	ARM,CLUTCH		Sr/Nr 36001096 and after	
16	+	175049-03920	2	WASHER		Sr/Nr 36001095 and before	
16	+	V453-000070	1	SPRING,FLAT		Sr/Nr 36001096 and after	
17		900519-00010	1	NUT, FLANGE 10	10*1.25		
18		A409-000060	1	ROTOR,MAGNETO		Sus. by P021- 005911	
18		A409-000061	1	ROTOR,MAGNETO		Sus. by P021- 005911	
18		P021-005910	1	ROTOR,MAGNETO KIT		Sus. by P021- 005911	
18		P021-005911	1	ROTOR,MAGNETO KIT			
19	+	900323-03014	1	KEY WOODRUFF	3*14	Can be used on P021- 005910,005911	

## 4. Starter(Sr/Nr 36004202 and before)



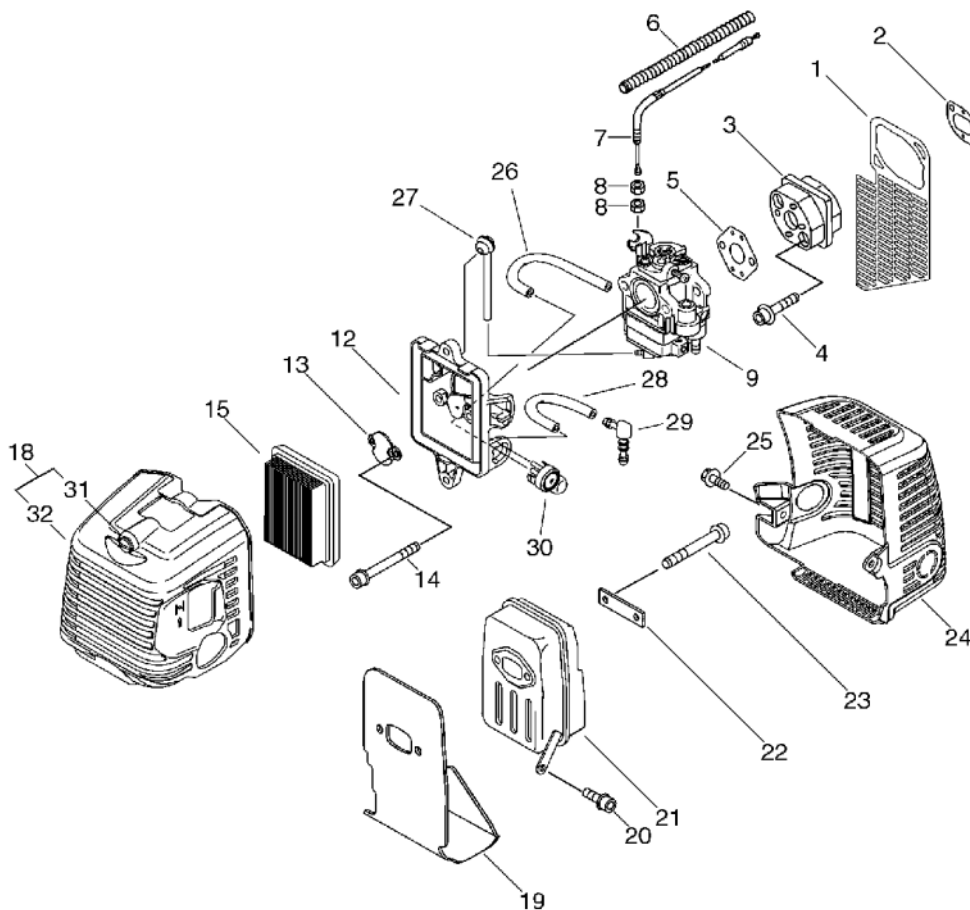
KEY	LV	PART NUMBER	Q'TY	DESCRIPTION	REMARKS	NOTE1	NOTE2
20		A052-000010	1	PULLEY,ASM STARTER		Sus. by A052-000011	
20		A052-000011	1	PULLEY,ASM STARTER			
21	+	P022-002100	1	E-RING	4		
22	+	P022-002090	1	SPRING, RETURN	A0522160050		
23	+	177218-40630	1	PAWL, STARTER	WHITE		
24		900502-00008	1	NUT 8 (3N)	3N8		
26		A051-000070	1	STARTER,RECOIL			
27	+	177236-06910	1	SCREW			
28	+	P022-002080	1	DRUM, STARTER			
29	+	177220-06310	1	SPRING, REWIND			
30	+	177226-06310	1	ROPE, STARTER	3.8*1150		
31	+	177227-42030	1	GUIDE, ROPE			
32	+	177228-27030	1	GRIP, STARTER			
33		900106-05020	2	BOLT, H.S. 5*20	5*20	Sus. by 91121-05020	
34		900106-05025	2	BOLT, H.S. 5*25	5*25	Sus. by 91121-05025	
35		890118-17930	1	LABEL, ECHO		Sus. by X502-000460	

## 5. Starter(Sr/Nr 36004203 and after)



KEY	LV	PART NUMBER	Q'TY	DESCRIPTION	REMARKS	NOTE1	NOTE2
20		A052-000011	1	PULLEY,ASM STARTER			
21	+	P022-002100	1	E-RING	4		
22	+	P022-002090	1	SPRING, RETURN	A0522160050		
23	+	177218-40630	1	PAWL, STARTER	WHITE		
24		900502-00008	1	NUT 8 (3N)	3N8		
26		A051-000070	1	STARTER.RECOIL			
27	+	177236-06910	1	SCREW			
28	+	P022-002080	1	DRUM, STARTER			
29	+	177220-06310	1	SPRING, REWIND			
30	+	177226-06310	1	ROPE, STARTER	3.8*1150		
31	+	177227-42030	1	GUIDE, ROPE			
32	+	177228-27030	1	GRIP, STARTER			
33		900106-05020	2	BOLT, H.S. 5*20	5*20	Sus. by 91121-05020	
33		91121-05020	2	BOLT, FLANGE	10.9 SILVER		
34		900106-05025	2	BOLT, H.S. 5*25	5*25	Sus. by 91121-05025	
34		91121-05025	2	BOLT, FLANGE	10.9 SILVER		
35		890118-17930	1	LABEL, ECHO		Sus. by X502-000460	
35		X502-000460	1	LABEL,ECHO			

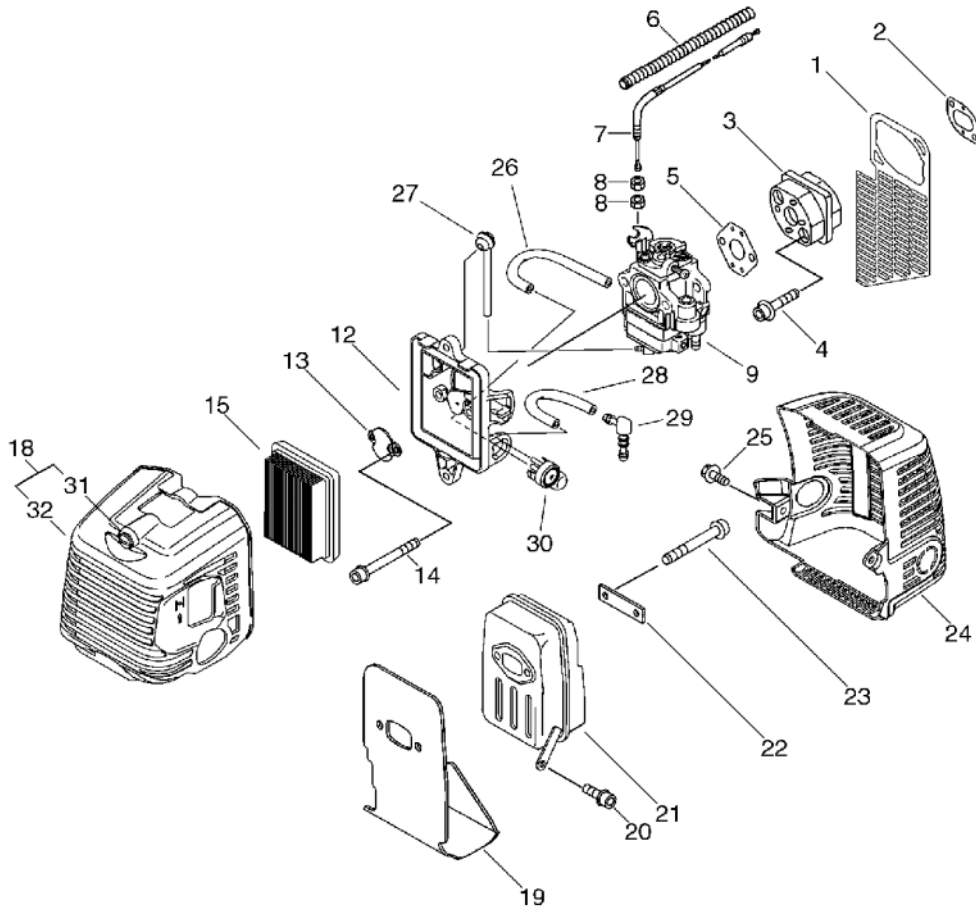
6. Air Cleaner, Muffler(Sr/Nr 36004202 and before)



KEY	LV	PART NUMBER	Q'TY	DESCRIPTION	REMARKS	NOTE1	NOTE2
1		A128-000060	1	PLATE,DUST		Sr/Nr 36001792 and after	
2		V103-000070	1	GASKET,INTAKE			
3		A200-000060	1	INSULATOR,INTAKE			
4		900106-05025	2	BOLT, H.S. 5*25	5*25		
5		V103-000080	1	GASKET,INTAKE			
6		178127-06960	1	TUBE	7*150	Sus. by V475- 001510	
6		V475-001510	1	TUBE			
7		V430-000310	1	CABLE,BOWDEN	L320*28		
8		900502-00006	2	NUT 6 (3N)	3N6		
9		A021-000280	1	CARBURETOR,DIAPHRAGM	WYK-134B	Sus. by A021- 001050	
9		A021-000281	1	CARBURETOR,DIAPHRAGM	WYK-134B	Sus. by A021- 001050	
9		A021-000282	1	CARBURETOR,DIAPHRAGM	WYK-134C	Sus. by A021- 001050	
9		A021-001050	1	CARBURETOR,DIAPHRAGM	WYK-218	Sr/Nr 36002902 and before	
9		A021-001170	1	CARBURETOR,DIAPHRAGM	WYK-226	Sr/Nr 36002903 and after Sus. by A021-001171	
10		A235-000060	1	NOB,CLEANER LID		Sr/Nr 36002902 and before	

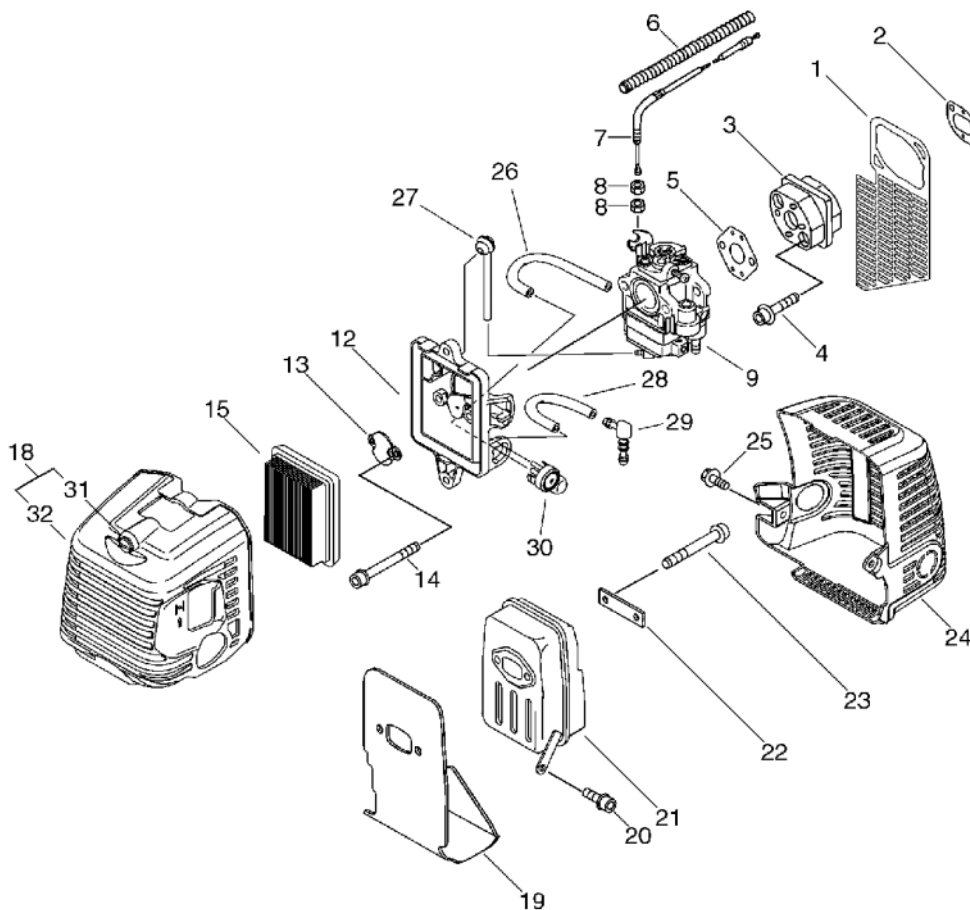


6. Air Cleaner, Muffler(Sr/Nr 36004202 and before)



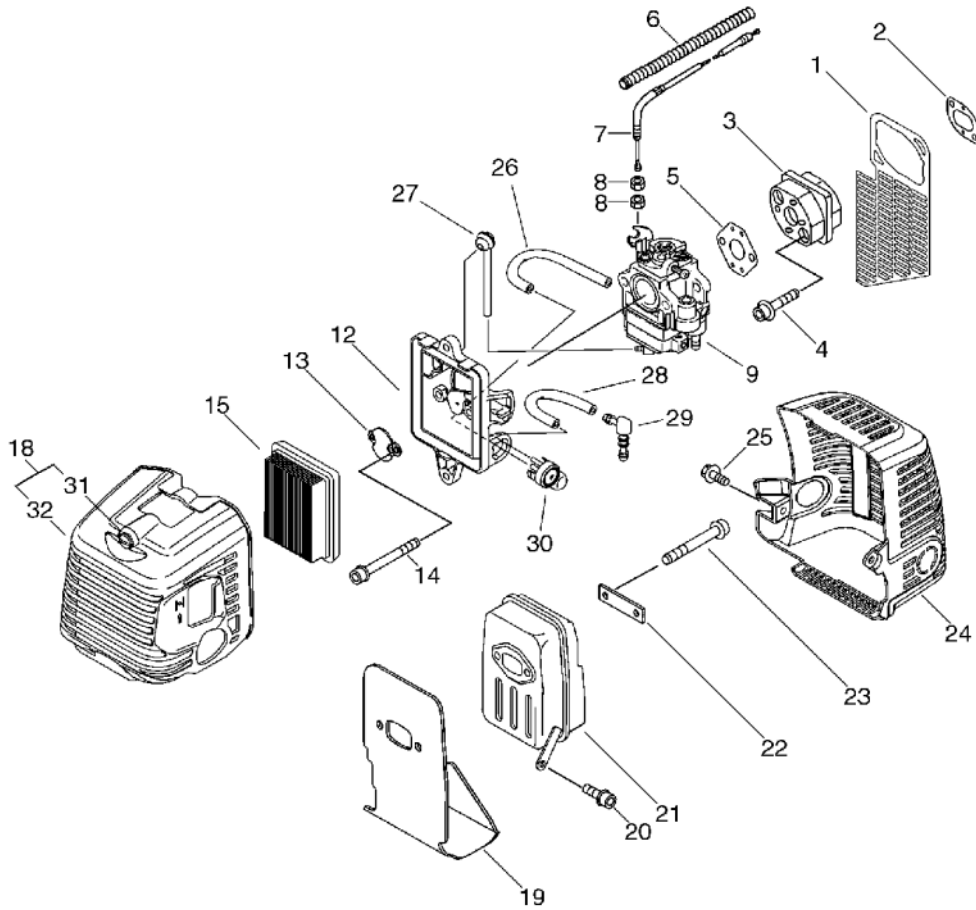
KEY	LV	PART NUMBER	Q'TY	DESCRIPTION	REMARKS	NOTE1	NOTE2
11		J485-000030	1	HINGE		Sr/Nr 36002902 and before	
12		P021-002490	1	CASE, AIR CLEANER		Sus. by P021-002491	
12		P021-002491	1	CASE, AIR CLEANER		Sr/Nr 36002902 and before	
12		P021-009590	1	CASE, AIR CLEANER		Sr/Nr 36002903 and after	
13		A244-000010	1	PLATE,PREVENT			
14		900105-05055	2	BOLT, H.S. 5*55	5*55		
15		A226-000080	1	ELEMENT,AIR FILTER		Sus. by A226-000220	
15		A226-000220	1	ELEMENT,AIR FILTER		Sr/Nr 36002902 and before	
15		A226-000320	1	ELEMENT, AIR FILTER		Sr/Nr 36002903 and after	Sus. by A226-000360
16		900253-04008	1	SCREW 4*8	4*8	Sr/Nr 36002902 and before	
17		A323-000000	1	PIECE,COVER		Sr/Nr 36002902 and before	
18		A232-000090	1	LID,CLEANER		Sus. by A232-000300	
18		A232-000091	1	LID,CLEANER		Sus. by A232-000300	

6. Air Cleaner, Muffler(Sr/Nr 36004202 and before)



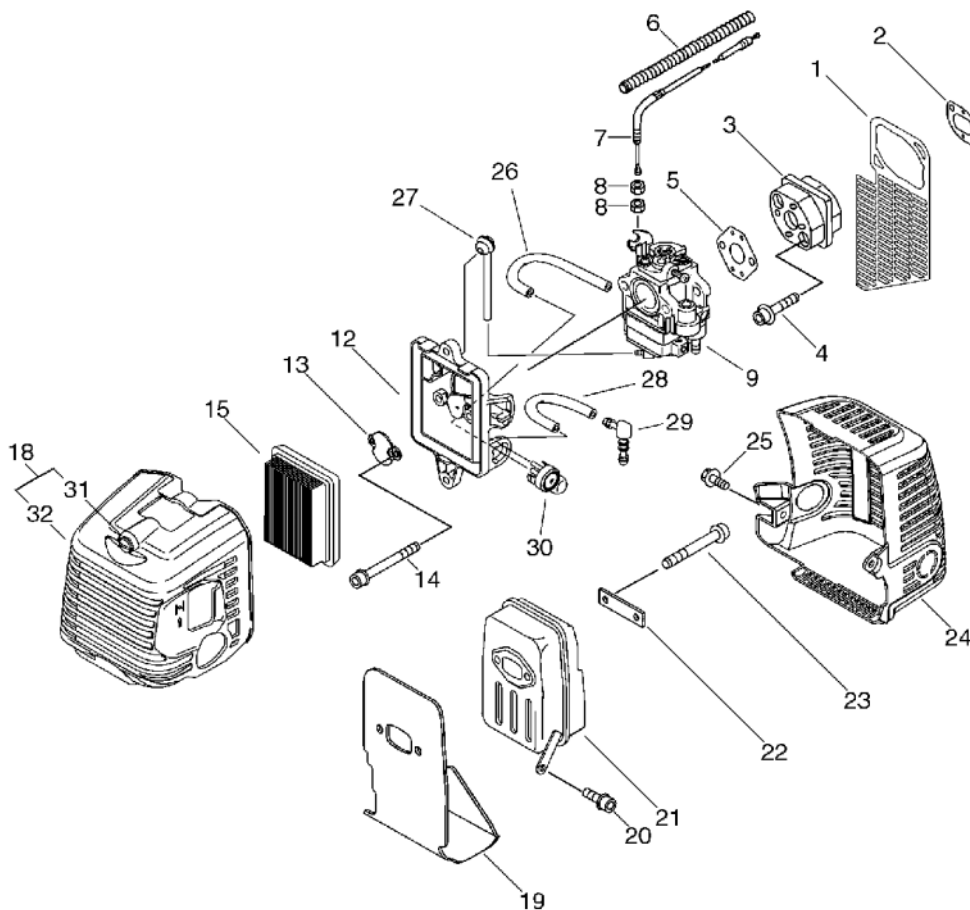
KEY	LV	PART NUMBER	Q'TY	DESCRIPTION	REMARKS	NOTE1	NOTE2
18		A232-000300	1	LID,CLEANER		Sr/Nr 36002902 and before	
18		P021-009600	1	LID,CLEANER ASY		Sr/Nr 36002903 and after	
31	+	V253-000100	2	SCREW,5	5*20		
32	+	A232-000320	1	LID,CLEANER			
19		V104-000210	1	GASKET,EXHAUST			
20		900162-05012	1	BOLT, H.S. 5*12	5*12 W,SW		
21		A300-000180	1	MUFFLER,EXHAUST		Sus. by P021-008910	
21		P021-008910	1	MUFFLER ASY			
22		V150-000550	1	PLATE,EYE			
23		900105-06060	2	BOLT, H.S. 6*60	6*60		
24		A320-000070	1	COVER,MUFFLER			
25		900106-05012	1	BOLT, H.S. 5*12	5*12	Sus. by 91121-05012	
26		V471-001560	1	PIPE	2.4*5*80	Sr/Nr 36002902 and after	
27		132012-39330	1	PIPE, W/GROMMET	L105 NBR	Sr/Nr 36002902 and after	Sus. by 132012-39331
28		437215-20760	1	PIPE 3*6*60	3*6*60 YL	Sr/Nr 36002902 and after	

6. Air Cleaner, Muffler(Sr/Nr 36004202 and before)



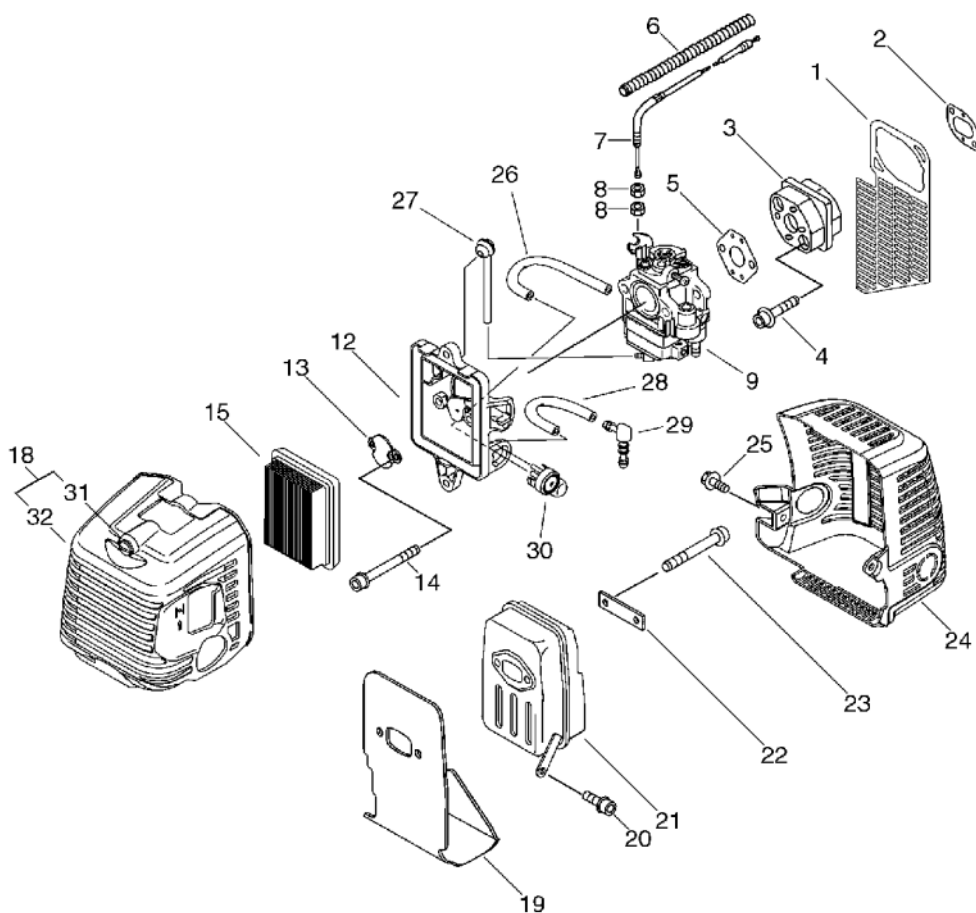
KEY	LV	PART NUMBER	Q'TY	DESCRIPTION	REMARKS	NOTE1	NOTE2
29		V186-000120	1	JOINT,PIPE	5.4	Sr/Nr 36002902 and after Sus. by V186-000080	
30		123181-39130	1	PUMP, PRIMER		Sr/Nr 36002902 and after	

7. Air Cleaner, Muffler(Sr/Nr 36004203 to 36006142)



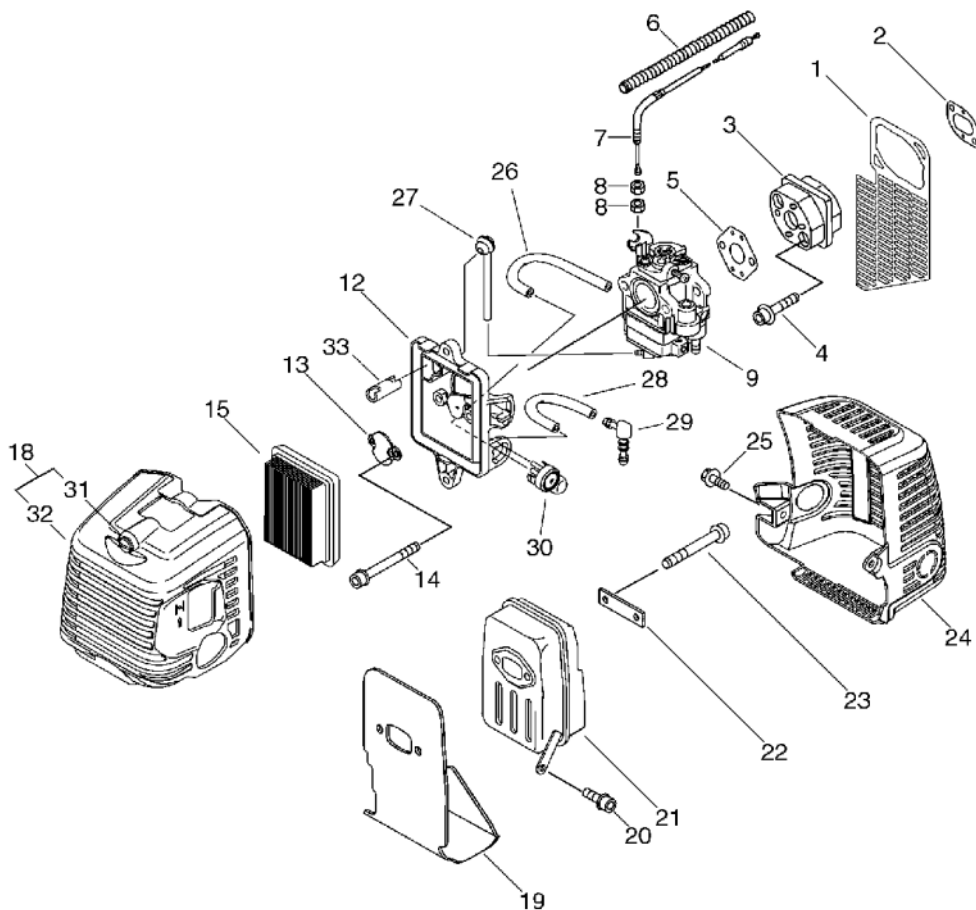
KEY	LV	PART NUMBER	Q'TY	DESCRIPTION	REMARKS	NOTE1	NOTE2
1		A128-000060	1	PLATE,DUST			
2		V103-000070	1	GASKET,INTAKE			
3		A200-000060	1	INSULATOR,INTAKE			
4		900106-05025	2	BOLT, H.S. 5*25	5*25		
5		V103-000080	1	GASKET,INTAKE			
6		V475-001510	1	TUBE			
7		V430-000310	1	CABLE,BOWDEN	L320*28		
8		900502-00006	2	NUT 6 (3N)	3N6		
9		A021-001170	1	CARBURETOR,DIAPHRAGM	WYK-226	Sus. by A021-001171	
12		P021-009590	1	CASE, AIR CLEANER			
13		A244-000010	1	PLATE,PREVENT			
14		900105-05055	2	BOLT, H.S. 5*55	5*55		
15		A226-000320	1	ELEMENT, AIR FILTER		Sus. by A226-000360	
15		A226-000360	1	ELEMENT, AIR FILTER	AFP-2010K-300		
18		P021-009600	1	LID,CLEANER ASY			
31	+	V253-000100	2	SCREW,5	5*20		
32	+	A232-000320	1	LID,CLEANER			
19		V104-000210	1	GASKET,EXHAUST			
20		900162-05012	1	BOLT, H.S. 5*12	5*12 W,SW		
21		P021-008910	1	MUFFLER ASY			
22		V150-000550	1	PLATE,EYE			
23		900105-06060	2	BOLT, H.S. 6*60	6*60		

7. Air Cleaner, Muffler(Sr/Nr 36004203 to 36006142)



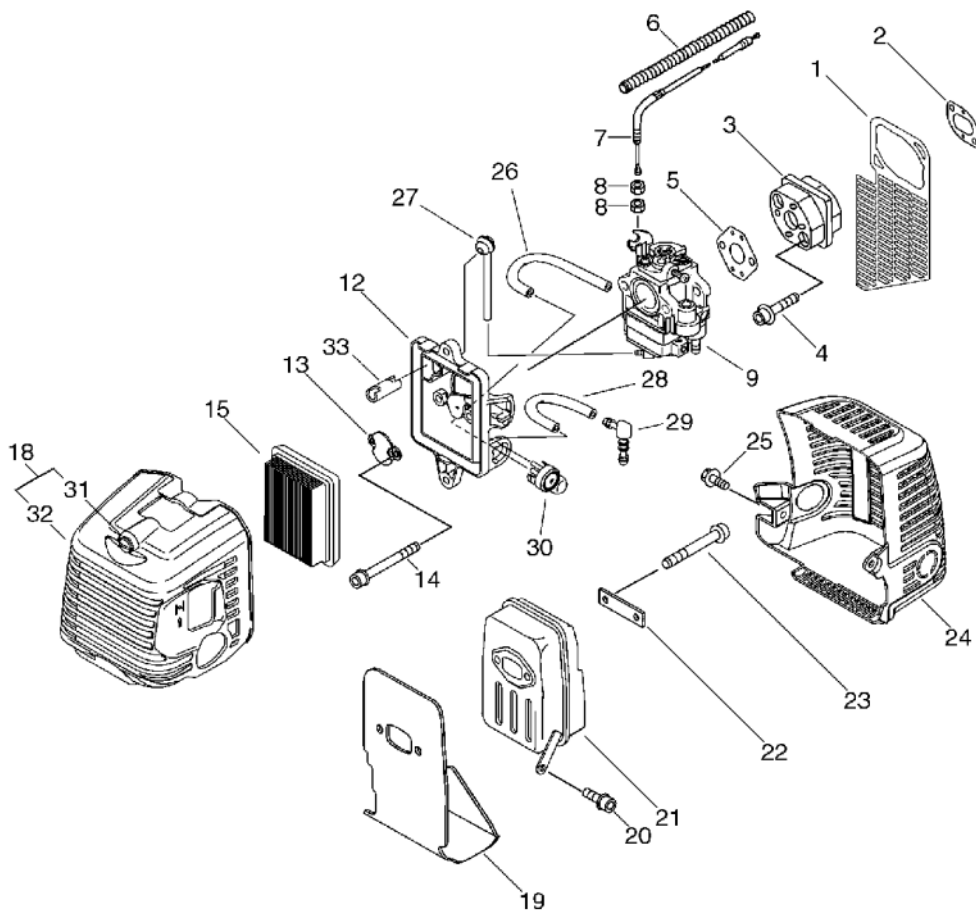
KEY	LV	PART NUMBER	Q'TY	DESCRIPTION	REMARKS	NOTE1	NOTE2
24		A320-000070	1	COVER,MUFFLER		Sus. by A320-000071	
25		900106-05012	1	BOLT, H.S. 5*12	5*12	Sus. by 91121-05012	
25		91121-05012	1	BOLT, FLANGE	10.9 SILVER		
26		V471-001560	1	PIPE	2.4*5*80		
27		132012-39330	1	PIPE, W/GROMMET	L105 NBR	Sus. by 132012-39331	
27		132012-39331	1	PIPE	3*6*105		
28		437215-20760	1	PIPE 3*6*60	3*6*60 YL		
29		V186-000120	1	JOINT,PIPE	5.4	Sus. by V186-000080	
29		V186-000080	1	JOINT,PIPE			
30		123181-39130	1	PUMP, PRIMER			

8. Air Cleaner, Muffler(Sr/Nr 36006143 and after)



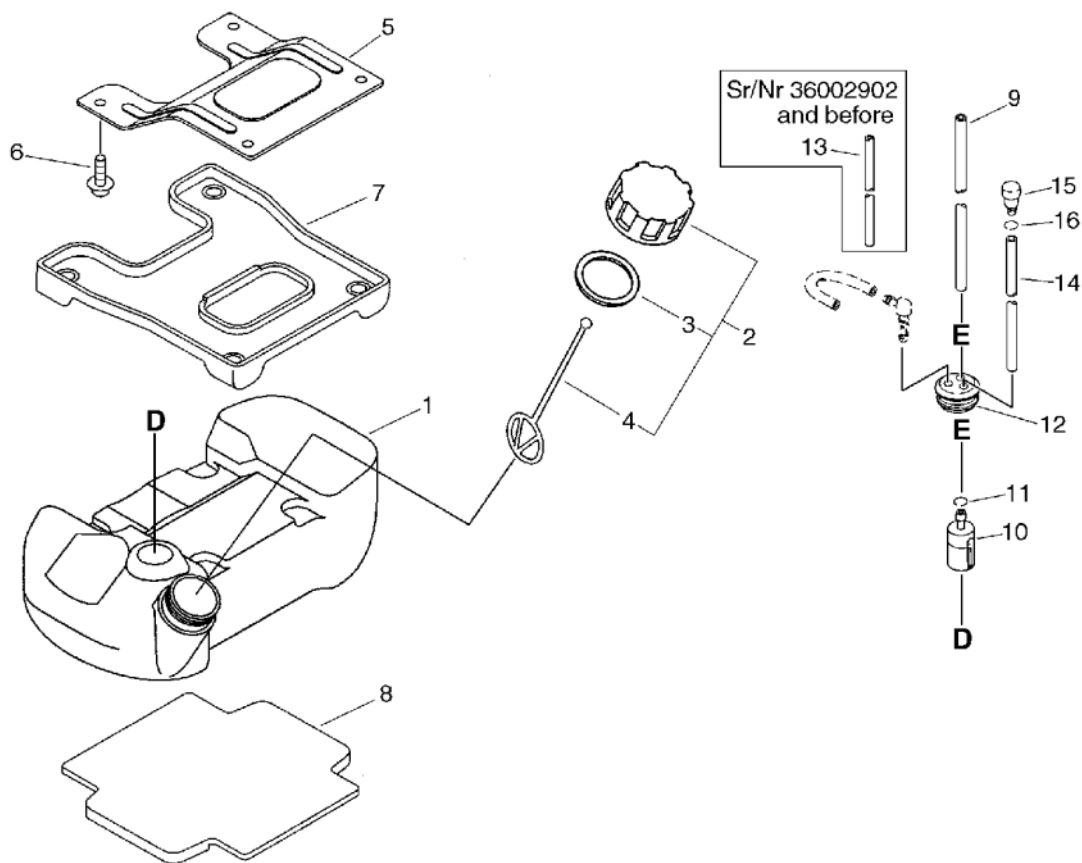
KEY	LV	PART NUMBER	Q'TY	DESCRIPTION	REMARKS	NOTE1	NOTE2
1		A128-000060	1	PLATE,DUST			
2		V103-000070	1	GASKET,INTAKE			
3		A200-000060	1	INSULATOR,INTAKE			
4		900106-05025	2	BOLT, H.S. 5*25	5*25		
5		V103-000080	1	GASKET,INTAKE			
6		V475-001510	1	TUBE			
7		V430-000310	1	CABLE,BOWDEN	L320*28		
8		900502-00006	2	NUT 6 (3N)	3N6		
9		A021-001170	1	CARBURETOR,DIAPHRAGM	WYK-226	Sus. by A021-001171	
9		A021-001171	1	CARBURETOR,DIAPHRAGM	WYK-226A		
12		P021-009590	1	CASE, AIR CLEANER			
13		A244-000010	1	PLATE,PREVENT			
14		900105-05055	2	BOLT, H.S. 5*55	5*55		
15		A226-000360	1	ELEMENT, AIR FILTER	AFP-2010K-300		
18		P021-009600	1	LID,CLEANER ASY			
31	+	V253-000100	2	SCREW,5	5*20		
32	+	A232-000320	1	LID,CLEANER			
19		V104-000210	1	GASKET,EXHAUST			
20		900162-05012	1	BOLT, H.S. 5*12	5*12 W,SW		
21		P021-008910	1	MUFFLER ASY			
22		V150-000550	1	PLATE,EYE			
23		900105-06060	2	BOLT, H.S. 6*60	6*60		
24		A320-000070	1	COVER,MUFFLER		Sus. by A320-000071	

8. Air Cleaner, Muffler(Sr/Nr 36006143 and after)



KEY	LV	PART NUMBER	Q'TY	DESCRIPTION	REMARKS	NOTE1	NOTE2
24		A320-000071	1	COVER,MUFFLER			
25		91121-05012	1	BOLT, FLANGE	10.9 SILVER		
26		V471-001560	1	PIPE	2.4*5*80		
27		132012-39331	1	PIPE	3*6*105		
28		437215-20760	1	PIPE 3*6*60	3*6*60 YL		
29		V186-000080	1	JOINT,PIPE			
30		123181-39130	1	PUMP, PRIMER			
33		A239-000050	1	PIPE, INTAKE		Sr/Nr 36006143 and after	

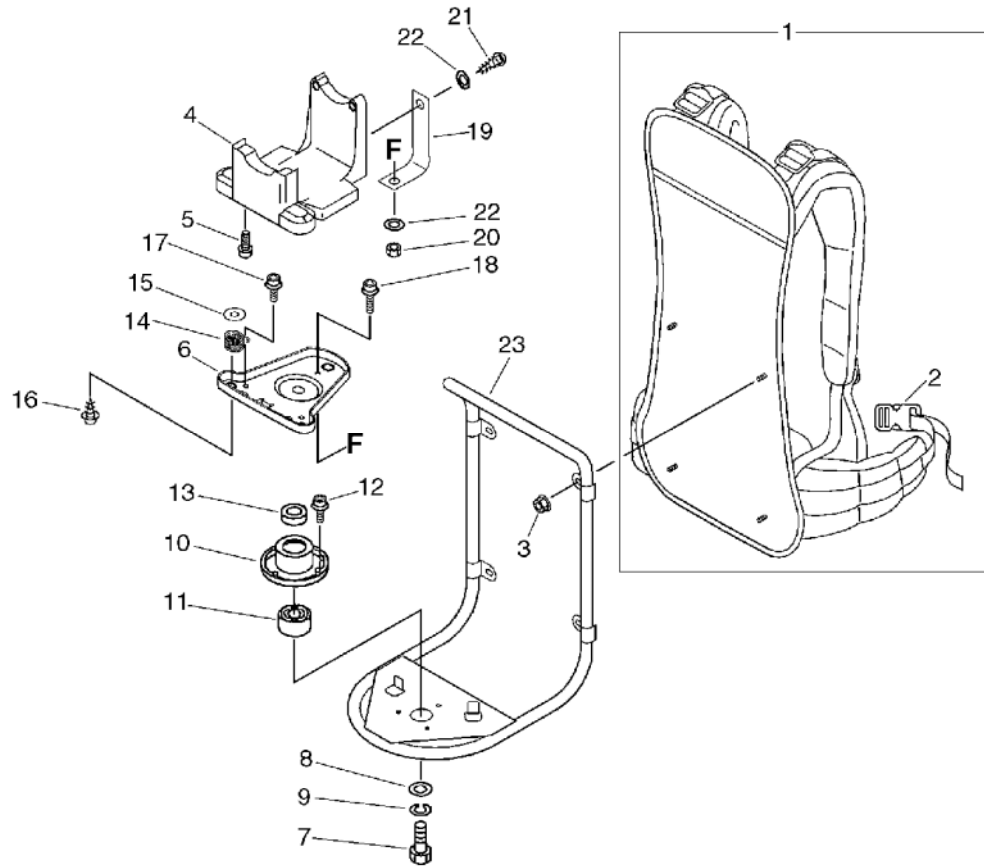
9. Fuel Tank



KEY	LV	PART NUMBER	Q'TY	DESCRIPTION	REMARKS	NOTE1	NOTE2
1		A350-000080	1	TANK,FUEL		Sus. by A350-000081	
1		A350-000081	1	TANK,FUEL			
2		131004-55530	1	CAP ASSY, FUEL TANK			
3	+	131016-55830	1	GASKET, FUEL CAP			
4	+	131051-56030	1	CLIP, FUEL CAP	100L		
5		A393-000030	1	BRACKET,FUEL TANK			
6		900106-05012	4	BOLT, H.S. 5*12	5*12		
7		A390-000000	1	SEAT,FUEL TANK			
8		A390-000010	1	SEAT,FUEL TANK			
9		132010-53630	1	PIPE	3*6*180 NBR		
10		131205-19830	1	STRAINER, FUEL		Sus. by 13120519831	
11		132013-26630	1	CLIP	6.5MM		
12		132115-55930	1	GROMMET, FUEL			
13		437215-20760	1	PIPE 3*6*60	3*6*60 YL	Sr/Nr 36002901 and before	
14		132012-02960	1	PIPE, FUEL	3*6*120L		
15		131300-56430	1	VALVE, CHECK			
16		132013-26630	1	CLIP	6.5MM		

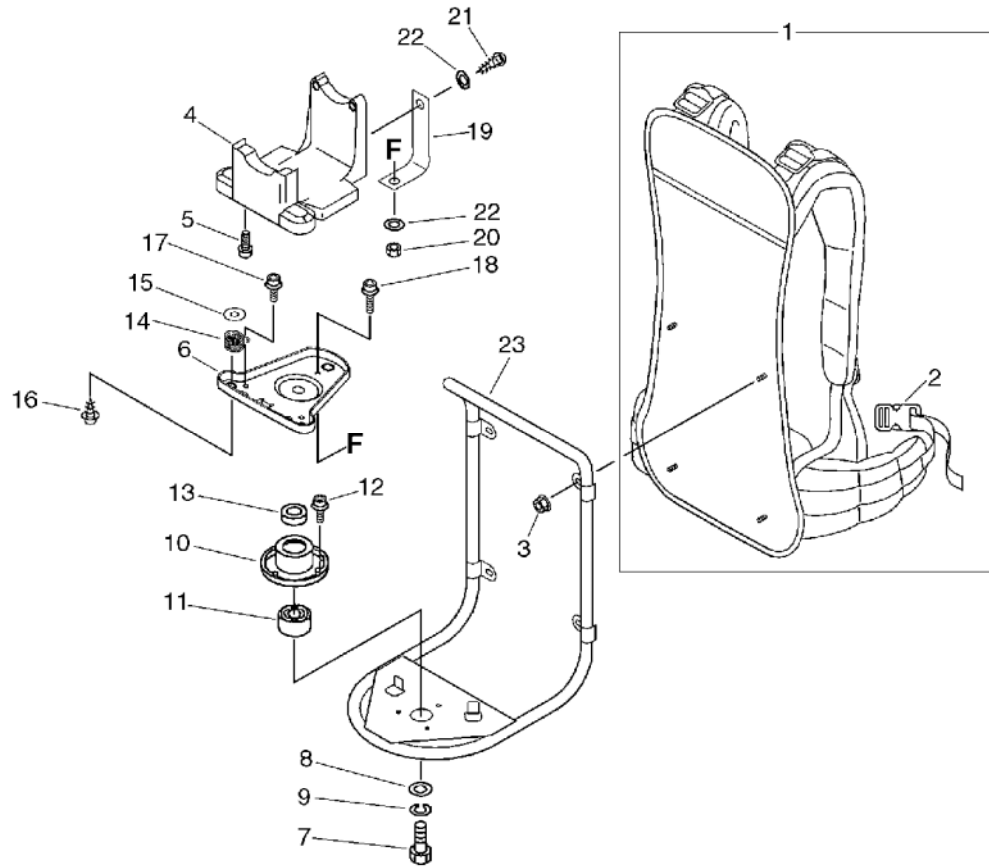


10. Harness(Sr/Nr 36004202 and before)



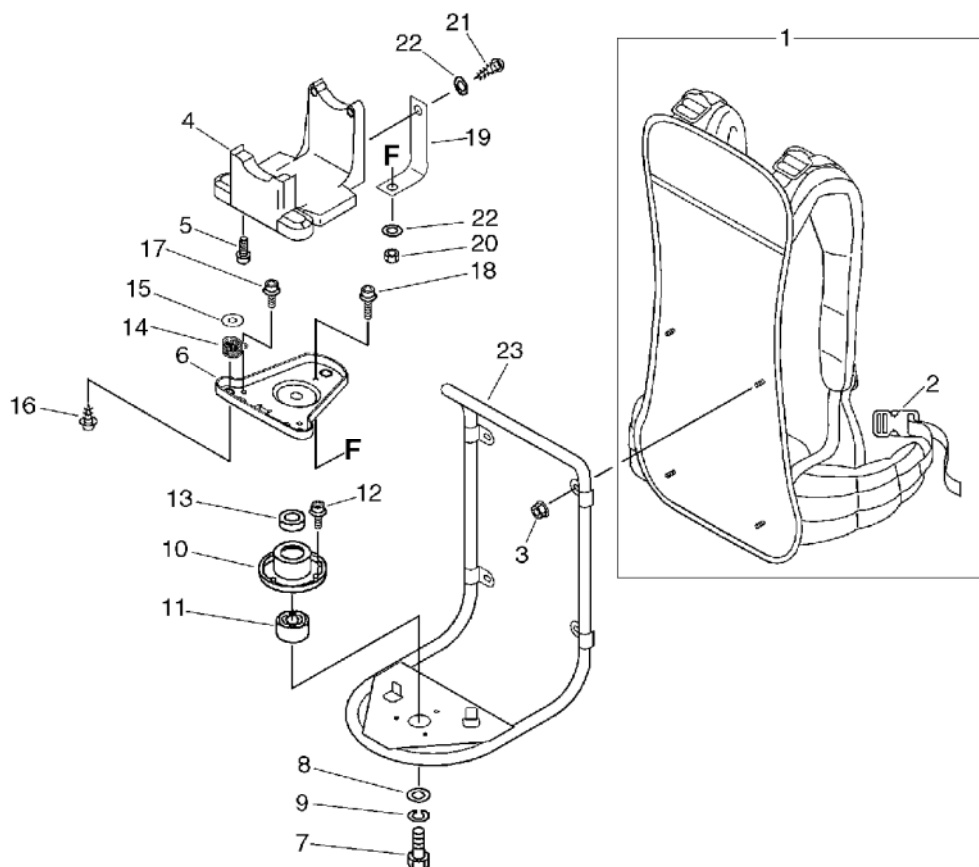
KEY	LV	PART NUMBER	Q'TY	DESCRIPTION	REMARKS	NOTE1	NOTE2
1		C061-000040	1	HARNESS,ASM BACKPACK		Sus. by C061-000041	
1		C061-000041	1	HARNESS,ASM BACKPACK			
2		P022-007890	1	BUCKLE	40MM		
3		900516-00005	4	NUT, FRANGE 5	5		
4		C632-000010	1	PLATE,ENG			
5		900106-05020	2	BOLT, H.S. 5*20	5*20		
6		C627-000020	1	PLATE,ROTATION			
7		900100-10020	1	BOLT 10*20	10*20	Sus. by 900100-10025	
8		900600-00010	1	WASHER 10	10		
9		900605-00010	1	WASHER, SPRING 10	10		
10		104926-56230	1	HOLDER, BEARING			
11		900814-06202	1	BEARING, BALL 6202	6202ZZ	Sus. by 94064-06202	
11		94064-06202	1	BEARING BALL	BB6202ZZ		
12		900106-05012	3	BOLT, H.S. 5*12	5*12		
13		604044-12560	1	COLLER15.3*21.5*3.2T	15.3*21.5*3.2T		
14		V450-000140	3	SPRING,COMPRESSION		Sus. by V450-000141	
14		V450-000141	3	SPRING,COMPRESSION			
15		177214-02830	3	WASHER	5.2*16*1.0T		
16		91147-05020	3	BOLT HS FL TAPP			
17		900106-05012	2	BOLT, H.S. 5*12	5*12	Sus. by 91121-05012	

10. Harness(Sr/Nr 36004202 and before)



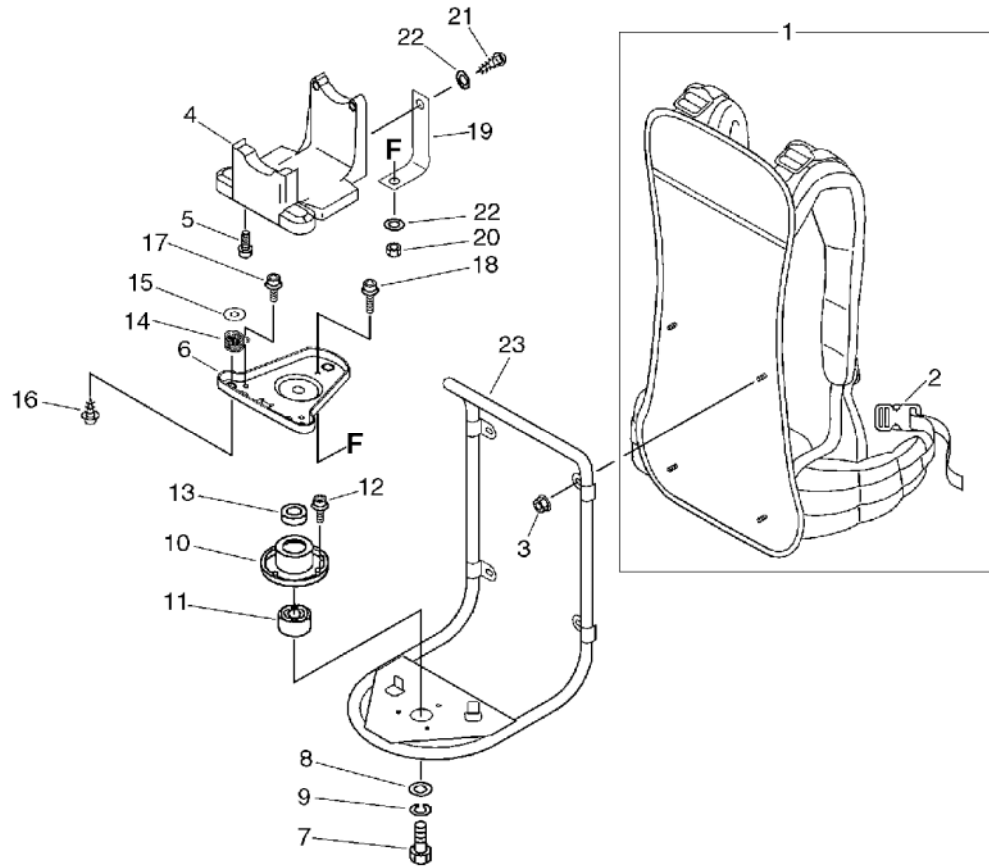
KEY	LV	PART NUMBER	Q'TY	DESCRIPTION	REMARKS	NOTE1	NOTE2
18		900106-05016	1	BOLT, H.S. 5*16	5*16		
19		C617-000090	1	STOPPER			
20		900502-00005	1	NUT 5 (3N)	3N5		
21		91145-05016	1	BOLT HS TAPPING	5*16		
22		900600-00005	2	WASHER 5	5		
23		C620-000110	1	FRAME BACKPACK			

## 11. Harness(Sr/Nr 36004203 and after)



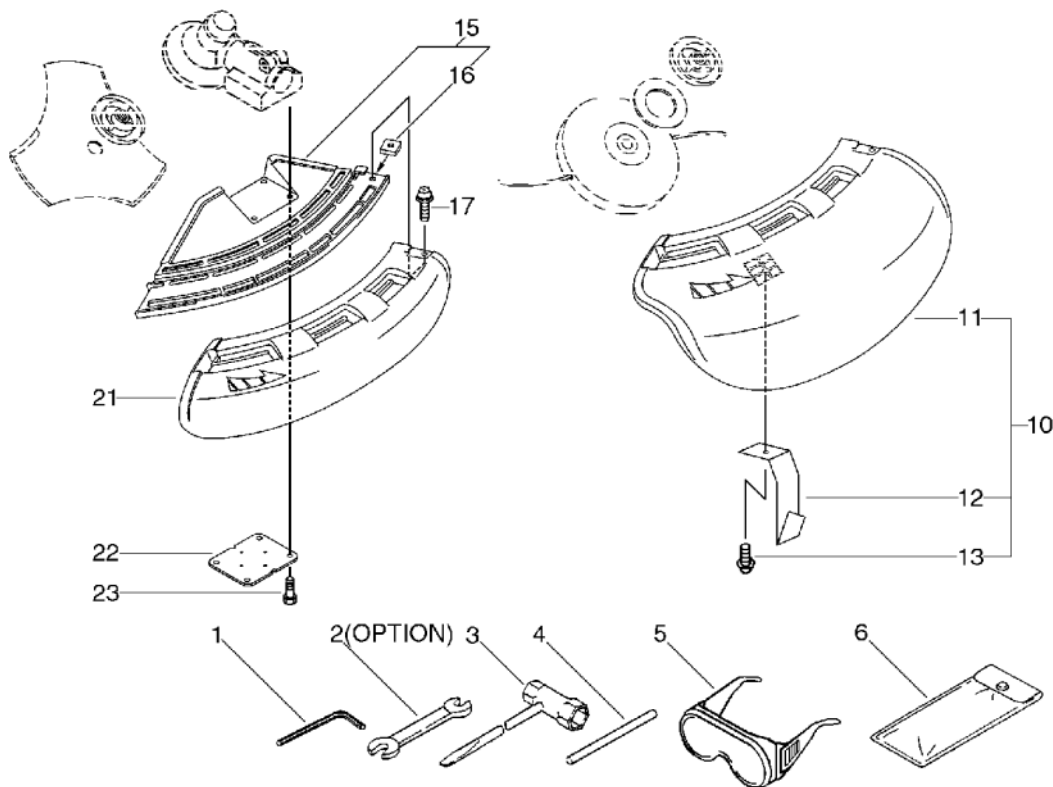
KEY	LV	PART NUMBER	Q'TY	DESCRIPTION	REMARKS	NOTE1	NOTE2
1		C061-000041	1	HARNES,ASM BACKPACK			
2	+	P022-007890	1	BUCKLE	40MM		
3		900516-00005	4	NUT, FRANGE 5	5		
4		C632-000010	1	PLATE,ENG			
5		900106-05020	2	BOLT, H.S. 5*20	5*20		
6		C627-000020	1	PLATE,ROTATION			
7		900100-10020	1	BOLT 10*20	10*20	Sus. by 900100-10025	
7		900100-10025	1	BOLT 10*25	10*25		
8		900600-00010	1	WASHER 10	10		
9		900605-00010	1	WASHER, SPRING 10	10		
10		104926-56230	1	HOLDER, BEARING			
11		94064-06202	1	BEARING BALL	BB6202ZZ		
12		900106-05012	3	BOLT, H.S. 5*12	5*12		
13		604044-12560	1	COLLER15.3*21.5*3.2T	15.3*21.5*3.2T		
14		V450-000141	3	SPRING, COMPRESSION			
15		177214-02830	3	WASHER	5.2*16*1.0T		
16		91147-05020	3	BOLT HS FL TAPP			
17		900106-05012	2	BOLT, H.S. 5*12	5*12	Sus. by 91121-05012	
17		91121-05012	3	BOLT, FLANGE	10.9 SILVER		
18		900106-05016	1	BOLT, H.S. 5*16	5*16		
19		C617-000090	1	STOPPER			
20		900502-00005	1	NUT 5 (3N)	3N5		
21		91145-05016	1	BOLT HS TAPPING	5*16		

11. Harness(Sr/Nr 36004203 and after)



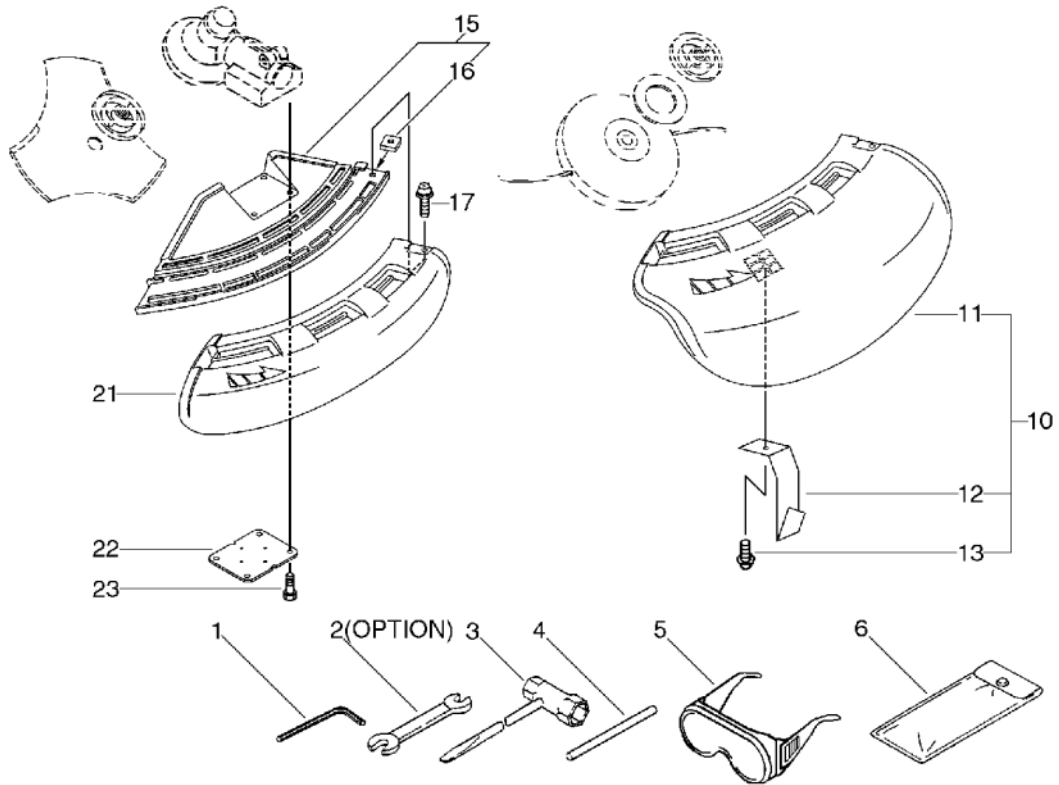
KEY	LV	PART NUMBER	Q'TY	DESCRIPTION	REMARKS	NOTE1	NOTE2
22		900600-00005	2	WASHER 5	5		
23		C620-000110	1	FRAME,BACKPACK			

12. Shield, Tools(Drive Shaft Sr/Nr 025197 and before)



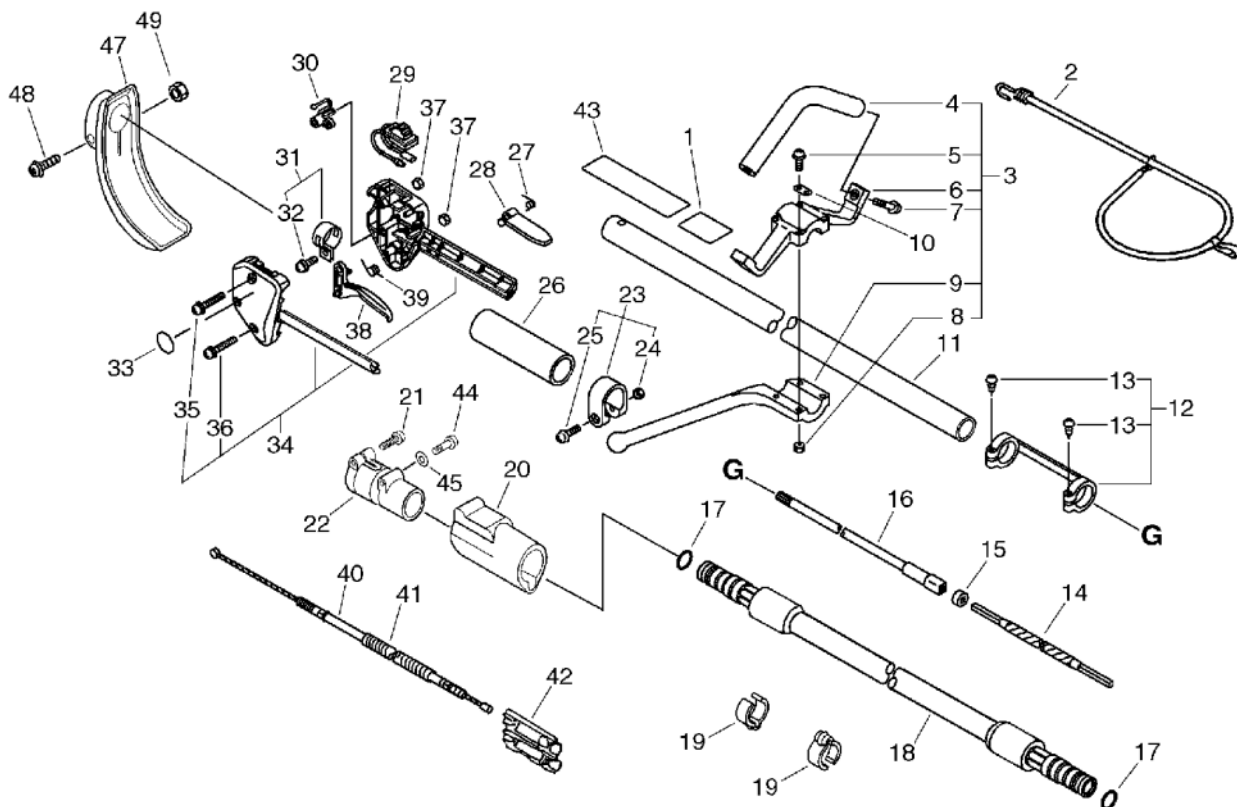
KEY	LV	PART NUMBER	Q'TY	DESCRIPTION	REMARKS	NOTE1	NOTE2
1		895610-00130	1	L-WRENCH (4MM)			
2		895112-00330	1	SPANNER 8*10		OPTION	
3		895410-08030	1	WRENCH, W/S. DRIVER		Sus. by X602-000020	
3		X602-000020	1	TOOL,WRENCH	17*19 L200		
4		897518-01131	1	LOCKING TOOL			
5		899580-68730	1	SAFETY GLASSES		Sus. by X690-000030	
5		X690-000030	1	GOGGLE			
6		898510-39130	1	BAG, TOOL			
10		P021-002620	1	SHIELD,BLADE(W/KNIFE		Drive Shaft Sr/Nr 025197 and before	
11	+	C550-000080	1	SHIELD,BLADE			
12	+	C554-000000	1	KNIFE,CORD		Drive Shaft Sr/Nr 025197 and before	
13	+	900252-05012	1	SCREW 5*12	5*12		
16		900565-00005	1	NUT	5		
17		900242-05018	1	SCREW 5*18	5*18		
20		C550-000100	1	SHIELD,BLADE			
21		C550-000090	1	SHIELD,BLADE			
22		699013-56830	1	PLATE, SHIELD			
23		900162-05025	4	BOLT, H.S. 5*25	5*25 W,SW	Sus. by 91118-05025	

13. Shield, Tools(Drive Shaft Sr/Nr 025198 and after)



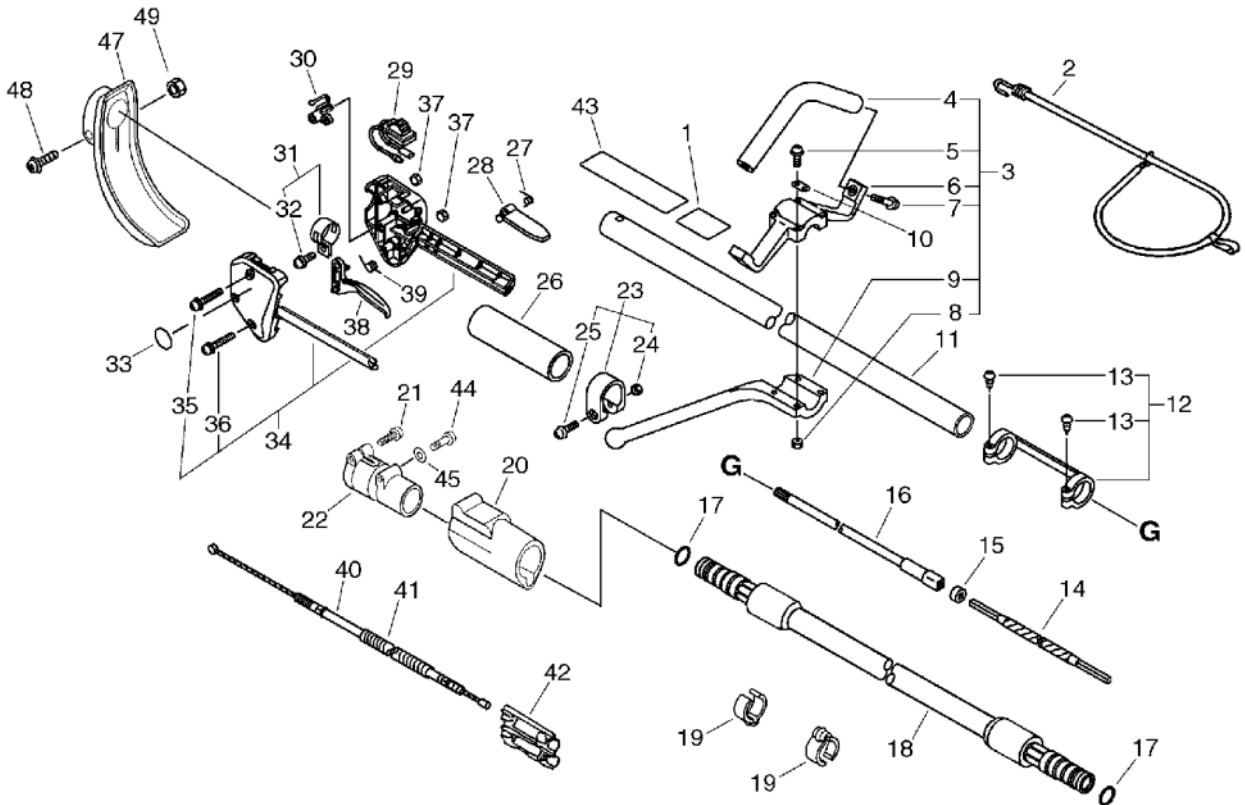
KEY	LV	PART NUMBER	Q'TY	DESCRIPTION	REMARKS	NOTE1	NOTE2
1		895610-00130	1	L-WRENCH (4MM)			
2		895112-00330	1	SPANNER 8*10			
3		X602-000020	1	TOOL,WRENCH	17*19 L200		
4		897518-01131	1	LOCKING TOOL			
5		X690-000030	1	GOGGLE			
6		898510-39130	1	BAG, TOOL			
18		P021-013770	1	SHIELD KIT			
11	+	C550-000080	1	SHIELD,BLADE			
12	+	C554-000030	1	KNIFE, CORD	17INCH		
13	+	900252-05012	1	SCREW 5*12	5*12		
15		C550-000100	1	SHIELD,BLADE			
16	+	900565-00005	1	NUT	5		
17		900242-05018	1	SCREW 5*18	5*18		
21		C550-000090	1	SHIELD,BLADE			
22		699013-56830	1	PLATE, SHIELD			
23		91118-05025	4	BOLT	CM-5*25		

14. Handle(Sr/Nr 36004202 and before)



KEY	LV	PART NUMBER	Q'TY	DESCRIPTION	REMARKS	NOTE1	NOTE2
1		890160-42230	1	LABEL, CAUTION			
2		300500-07131	1	ROPE, ELASTIC			
3		351201-50430	1	HANDLE ASSY, LOOP		Sus. by 351201-50431	
3		351201-50431	1	HANDLE ASSY, LOOP			
4	+	351205-07130	1	HANDLE		Sus. by 351205-07131	
4	+	351205-07131	1	HANDLE			
5	+	900242-05035	4	SCREW 5*35	5*35		
6	+	351232-07130	1	BRACKET, HANDLE 28			
7	+	900242-05014	2	SCREW 5*14	5*14		
8	+	900500-00005	4	NUT 5	5		
9	+	351643-55630	1	BRACKET, HANDLE			
10		300515-07130	1	PLATE, ROPE			
11		C050-000040	1	PIPE,MAIN			
12		610281-42230	1	COLLER			
13	+	900253-04025	2	SCREW 4*25	4*25		
14		610013-27630	1	SHAFT, FLEXIBLE(HARD)			
15		610020-07131	1	ADAPTER, FLX. SHAFT			
16		C504-000070	1	SHAFT,DRIVE			
17		900720-00018	2	O-RING 18	P-18		
18		C508-000020	1	COVER,FLEX SHAFT			
19		224924-52130	2	CLIP	25MM		
20		C483-000010	1	BOOT,CONNECTOR			
21		900162-05030	1	BOLT, H.S. 5*30	5*30 W,SW	Sus. by 91118-05030	

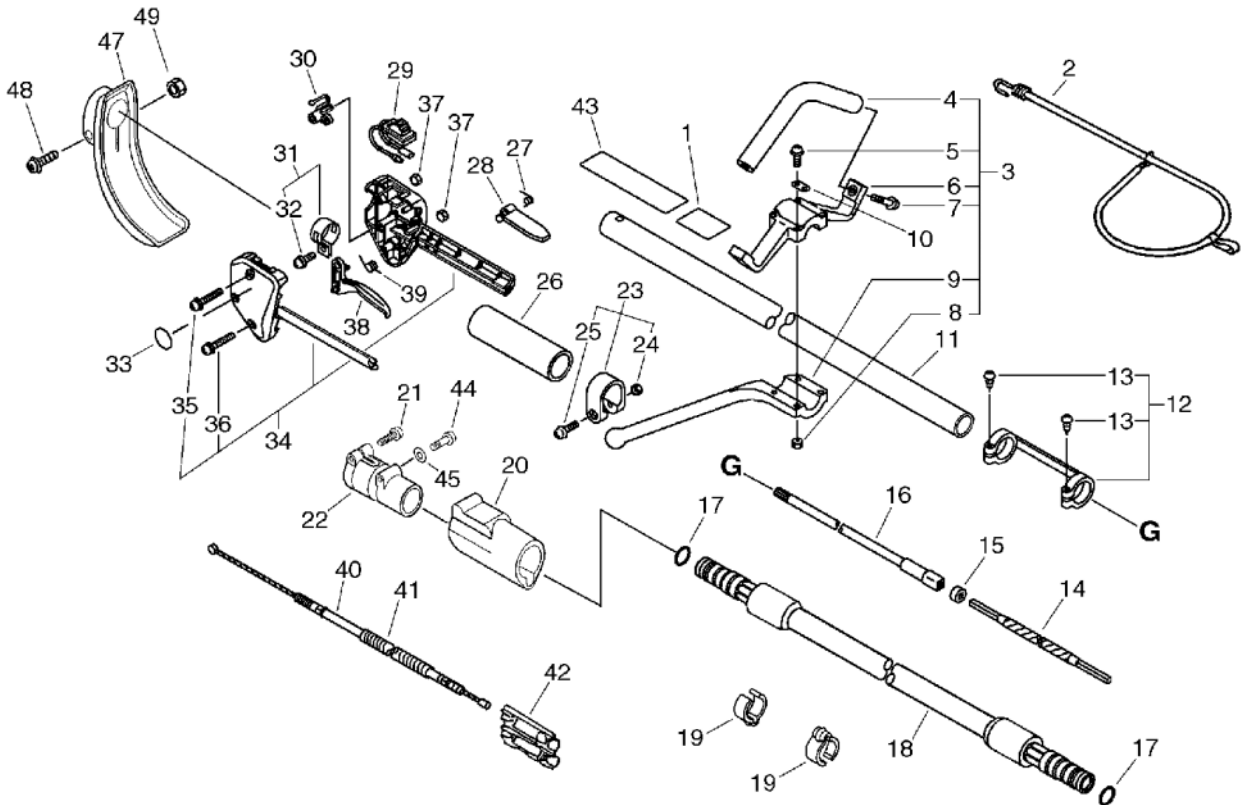
14. Handle(Sr/Nr 36004202 and before)



KEY	LV	PART NUMBER	Q'TY	DESCRIPTION	REMARKS	NOTE1	NOTE2
22		C510-000020	1	COUPLING,MAIN PIPE			
23		610272-51830	1	BAND			
24	+	900500-00005	1	NUT 5	5		
25	+	900242-05028	1	SCREW 5*28	5*28		
26		351213-51830	1	GRIP, FRONT HANDLE			
27		178013-52630	1	SPRING, THR. LOCK			
28		178090-52630	1	LOCKOUT, T. CONTROL		Sus. by 178090-52632	
28		178090-52631	1	LOCKOUT, T. CONTROL		Sus. by 178090-52632	
28		178090-52632	1	LOCKOUT, T. CONTROL			
29		163400-41630	1	SWITCH, IGNITION			
30		178012-52630	1	LOCKOUT, THROTTLE			
31		301200-42230	1	HOOK ASSY			
32	+	900242-05014	1	SCREW 5*14	5*14		
33		890157-39130	1	LABEL, SWITCH			
34		178003-51830	1	BRACKET SET,THROTTLE			
35	+	900242-05035	1	SCREW 5*35	5*35		
36	+	900242-05025	1	SCREW 5*25	5*25		
37	+	900500-00005	2	NUT 5	5		
38		178010-52130	1	CONTROL, THROTTLE			
39		178043-42230	1	SPRING, THR. RETURN			
40		V430-000320	1	CABLE,BOWDEN		Sus. by V430-000321	
40		V430-000321	1	CABLE,BOWDEN	940*64		
41		V475-001500	1	TUBE	7*740		

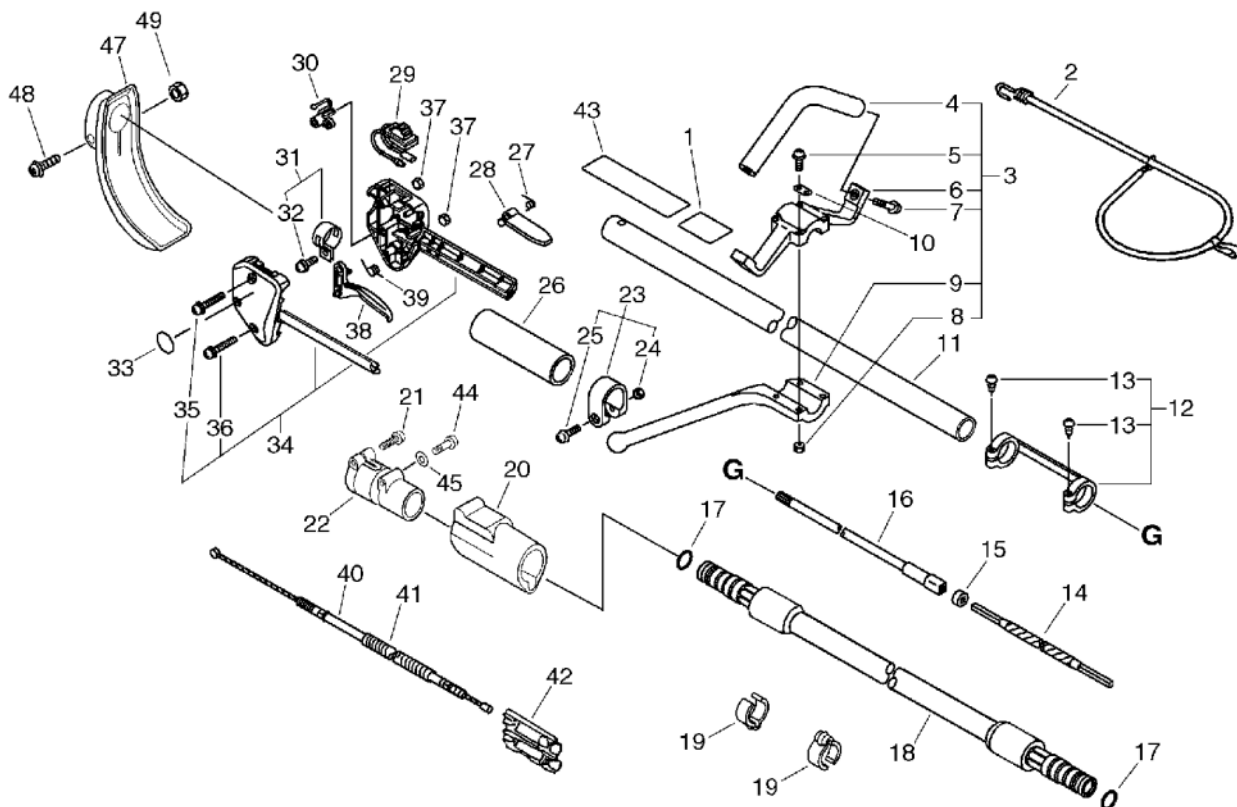


14. Handle(Sr/Nr 36004202 and before)



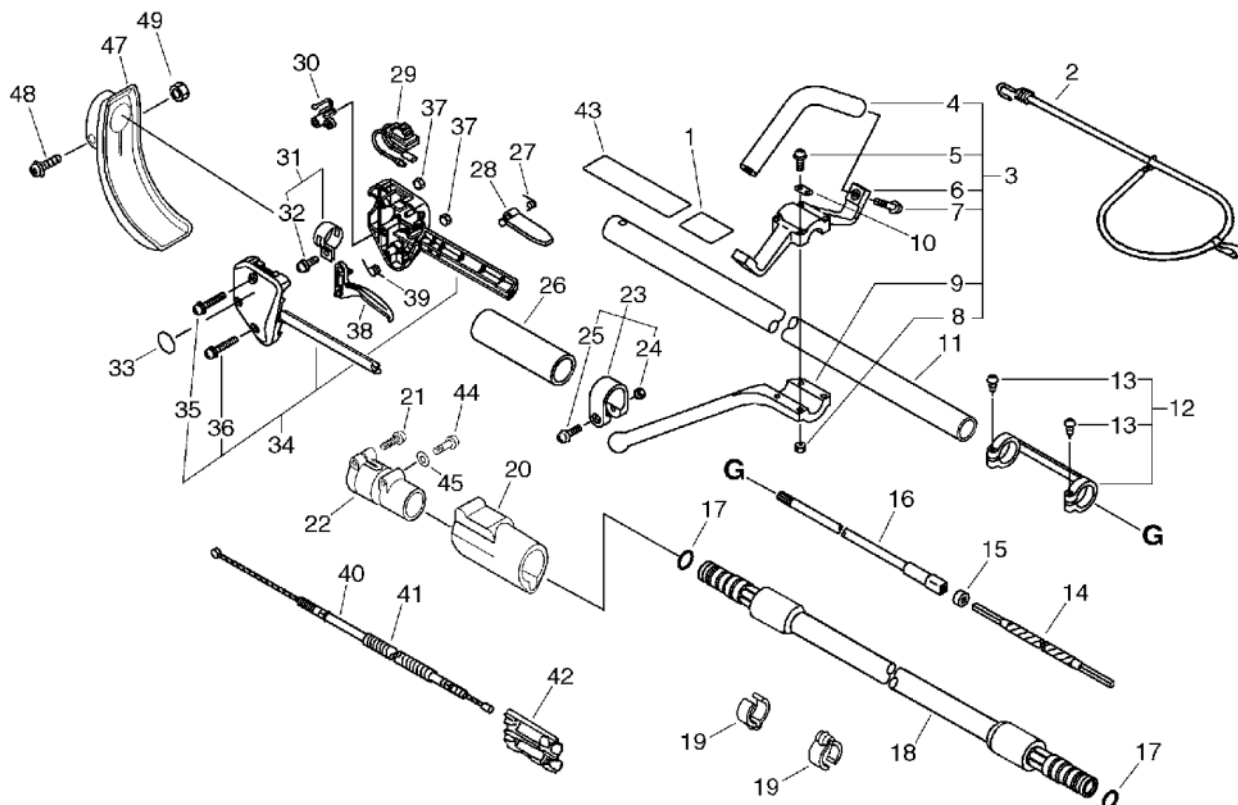
KEY	LV	PART NUMBER	Q'TY	DESCRIPTION	REMARKS	NOTE1	NOTE2
42		178081-55931	1	CONNECTOR,CABLE			
43		890617-43130	1	LABEL,CAUTION			
44		610257-56330	1	BOLT	5*30		
45		900600-00005	1	WASHER 5	5		
46		900605-00005	1	WASHER, SPRING 5	5	Drive Shaft Sr/Nr 0011374 and before	
47		A248-000000	1	GUARD,LEVER			
48		900242-05025	1	SCREW 5*25	5*25		
49		900500-00005	1	NUT 5	5		

15. Handle(Sr/Nr 36004203 and after)



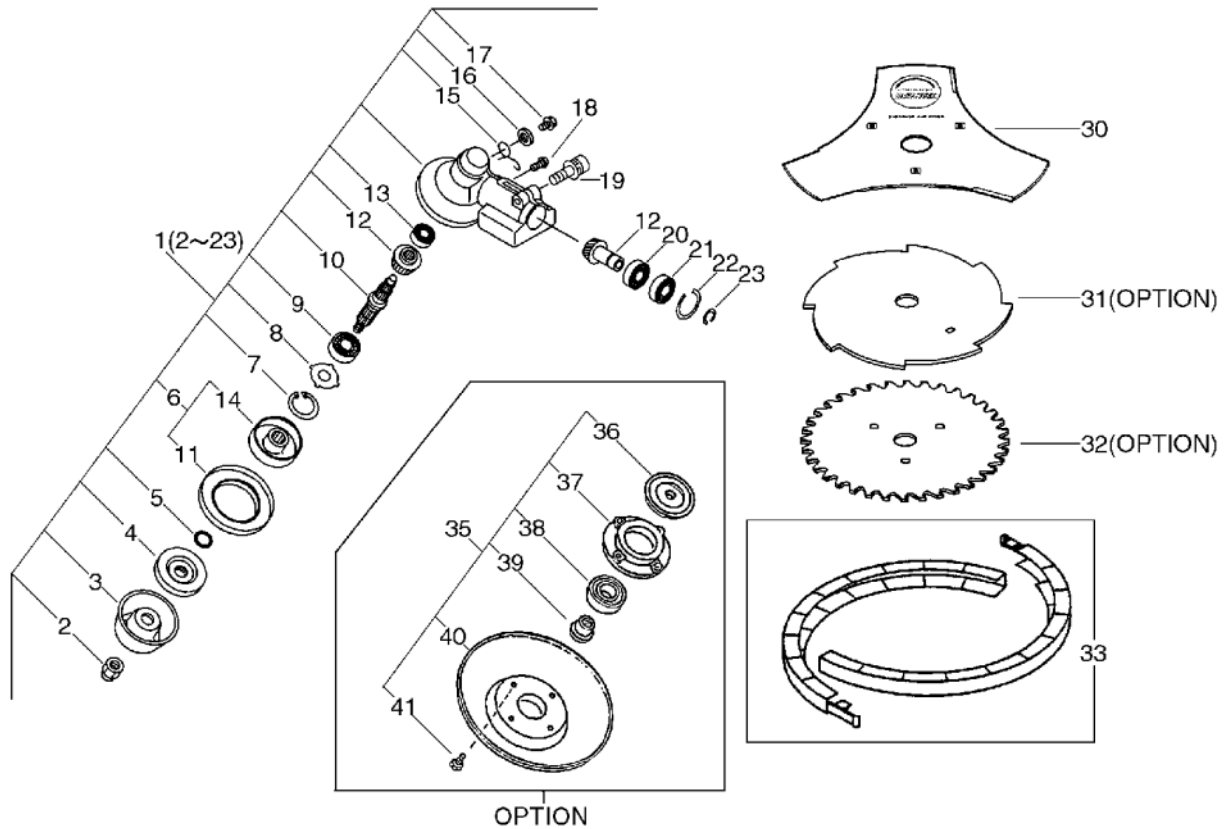
KEY	LV	PART NUMBER	Q'TY	DESCRIPTION	REMARKS	NOTE1	NOTE2
1		890160-42230	1	LABEL, CAUTION			
2		300500-07131	1	ROPE, ELASTIC			
3		351201-50431	1	HANDLE ASSY, LOOP			
4	+	351205-07131	1	HANDLE			
5	+	900242-05035	4	SCREW 5*35	5*35		
6	+	351232-07130	1	BRACKET, HANDLE 28			
7	+	900242-05014	2	SCREW 5*14	5*14		
8	+	900500-00005	4	NUT 5	5		
9	+	351643-55630	1	BRACKET, HANDLE			
10		300515-07130	1	PLATE, ROPE			
11		C050-000040	1	PIPE,MAIN			
12		610281-42230	1	COLLER			
13	+	900253-04025	2	SCREW 4*25	4*25		
14		610013-27630	1	SHAFT, FLEXIBLE(HARD)			
15		610020-07131	1	ADAPTER, FLX. SHAFT			
16		C504-000070	1	SHAFT,DRIVE			
17		900720-00018	2	O-RING 18	P-18		
18		C508-000020	1	COVER,FLEX SHAFT			
19		224924-52130	2	CLIP	25MM		
20		C483-000010	1	BOOT,CONNECTOR			
21		900162-05030	1	BOLT, H.S. 5*30	5*30 W,SW	Sus. by 91118-05030	
21		91118-05030	1	BOLT			
22		C510-000020	1	COUPLING,MAIN PIPE			
23		610272-51830	1	BAND			
24	+	900500-00005	1	NUT 5	5		

## 15. Handle(Sr/Nr 36004203 and after)



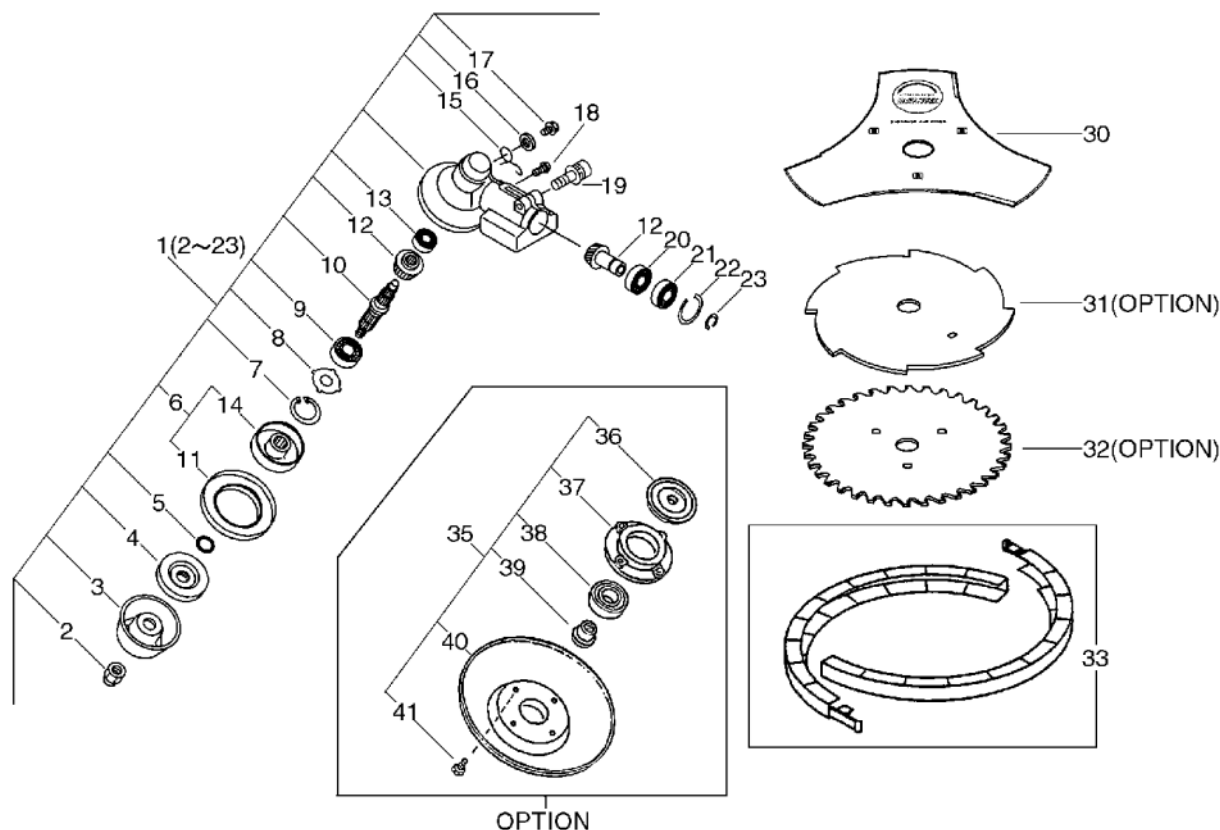
KEY	LV	PART NUMBER	Q'TY	DESCRIPTION	REMARKS	NOTE1	NOTE2
25	+	900242-05028	1	SCREW 5*28	5*28		
26		351213-51830	1	GRIP, FRONT HANDLE			
27		178013-52630	1	SPRING, THR. LOCK			
28		178090-52632	1	LOCKOUT, T. CONTROL			
29		163400-41630	1	SWITCH, IGNITION			
30		178012-52630	1	LOCKOUT, THROTTLE			
31		301200-42230	1	HOOK ASSY			
32	+	900242-05014	1	SCREW 5*14	5*14		
33		890157-39130	1	LABEL, SWITCH			
34		178003-51830	1	BRACKET SET, THROTTLE			
35	+	900242-05035	1	SCREW 5*35	5*35		
36	+	900242-05025	1	SCREW 5*25	5*25		
37	+	900500-00005	2	NUT 5	5		
38		178010-52130	1	CONTROL, THROTTLE			
39		178043-42230	1	SPRING, THR. RETURN			
40		V430-000321	1	CABLE, BOWDEN	940*64		
41		V475-001500	1	TUBE	7*740		
42		178081-55931	1	CONNECTOR, CABLE			
43		890617-43130	1	LABEL, CAUTION			
44		610257-56330	1	BOLT	5*30		
45		900600-00005	1	WASHER 5	5		
47		A248-000000	1	GUARD, LEVER			
48		900242-05025	1	SCREW 5*25	5*25		
49		900500-00005	1	NUT 5	5		

16. Gear Case, Blade(Sr/Nr 36004202 and before)



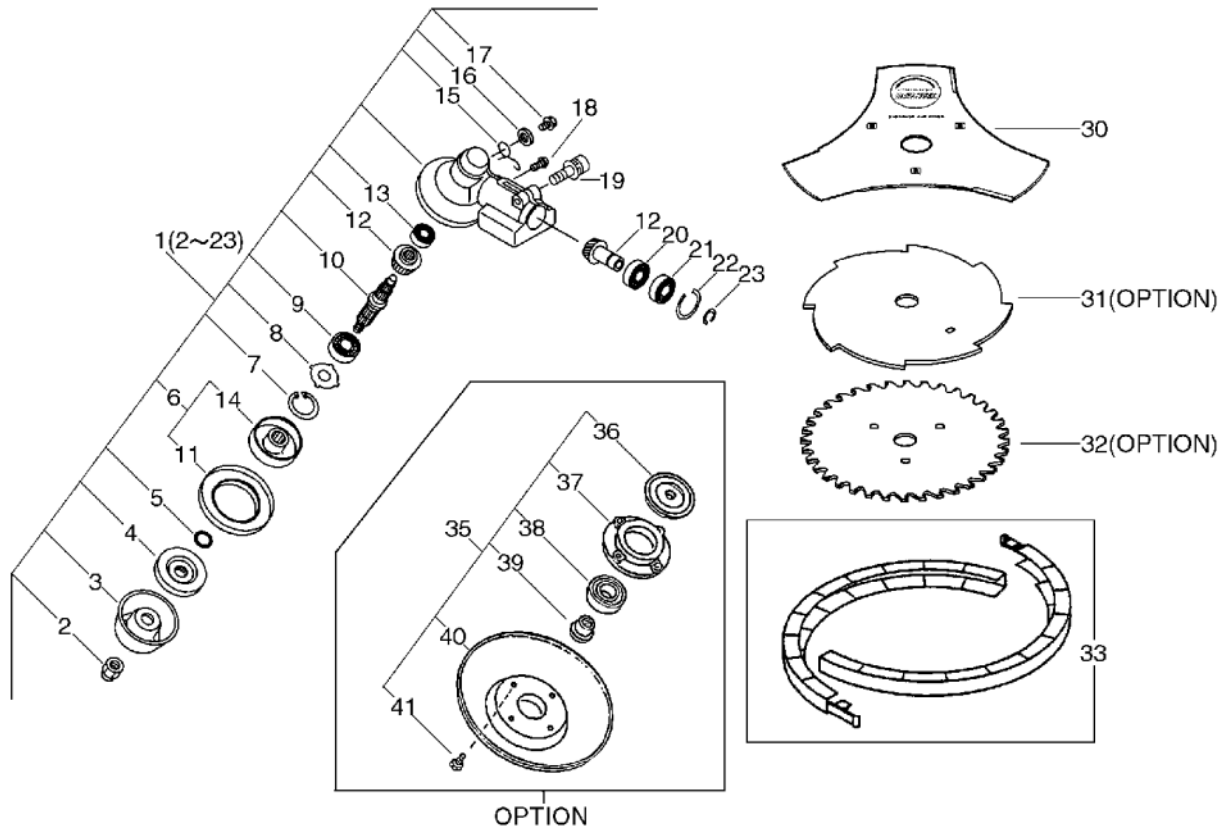
KEY	LV	PART NUMBER	Q'TY	DESCRIPTION	REMARKS	NOTE1	NOTE2
1		610400-56931	1	CASE ASY, GEAR		Sus. by 610400-56932	
1		610400-56932	1	CASE ASY, GEAR		Sus. by P021-012590	
2	+	610320-52130	1	NUT 10			
3	+	699229-56830	1	PLATE, COVER			
4	+	610314-52130	1	PLATE, ADAPTER (L)			
5	+	900720-00012	1	O-RING 12	P-12		
6	+	C535-000000	1	FIXTURE, BLADE		Sus. by C535-000001	
6	+	C535-000001	1	FIXTURE, BLADE			
11	++	610352-56830	1	PLATE, CUP			
14	++	C535-000010	1	FIXTURE, BLADE		Sus. by C535-000011	
14	++	C535-000011	1	FIXTURE, BLADE			
7	+	900702-00032	1	CIRCLIP 32	CR-32		
8	+	610444-56830	1	WASHER			
9	+	900812-06201	1	BEARING, BALL 6201	6201DDU(LLU)		
10	+	610310-56930	1	SHAFT, P.T.O.			
12	+	610300-56930	1	GEAR SET			
13	+	900810-00629	1	BEARING, BALL 629	629		
15	+	610473-52131	1	SPRING			
16	+	900603-50008	1	WASHER	8.5*18*0.8T		
17	+	610434-50030	1	BOLT 8*6		Sus. by 610434-50031	
17	+	610434-50031	1	BOLT 8*8	M8*8		

16. Gear Case, Blade(Sr/Nr 36004202 and before)



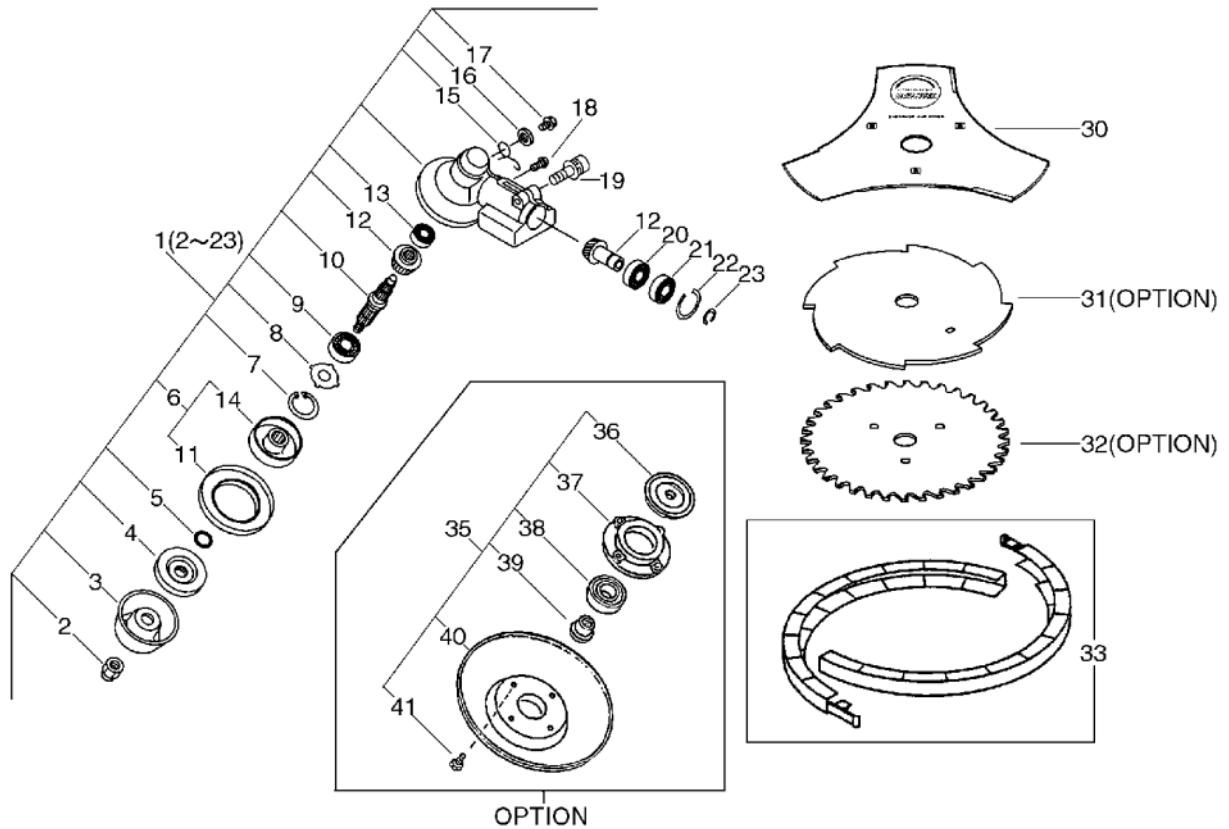
KEY	LV	PART NUMBER	Q'TY	DESCRIPTION	REMARKS	NOTE1	NOTE2
18	+	900242-05010	1	SCREW 5*10	5*10		
19	+	900162-06030	1	BOLT, H.S. 6*30	6*30W, SW	Sus. by 91118-06030	
20	+	900800-06001	1	BEARING, BALL 6001	6001		
21	+	900803-06001	1	BEARING, BALL 6001	6001Z		
22	+	900702-00028	1	CIRCLIP 28	CR-28		
23	+	900701-00012	1	CIRCLIP 12	CS-12		
30		X405-000000	1	SAW,BUSH CUTTER	3*255*25.4*T2.0	Sus. by X405-000001	
30		X405-000001	1	SAW,BUSH CUTTER	3*255*25.4*T2.0		
33		898503-50030	1	SCABBARD KIT, BLADE		Sus. by P021-007470	
33		P021-007470	1	SCABBARD,BLADE			
34	+	898562-43230	1	FIXTURE, SCABBARD		Can be used on 898503-50030 only	
31		696001-55630	1	BLADE, 8-CUTTER 10IN		Sus. by 696001-55631	
31		696001-55631	1	BLADE, 8-CUTTER 10IN	255*8T*1.4 PD25	OPTION	
32		695001-55630	1	SAW,CIRCULAR 10*80T		Sus. by 695001-55631	
32		695001-55631	1	SAW, CIRCULAR 10*80T	255*80T*1.4 PD25	OPTION	
35		699200-56830	1	CAP ASSY, FREE		OPTION	

16. Gear Case, Blade(Sr/Nr 36004202 and before)



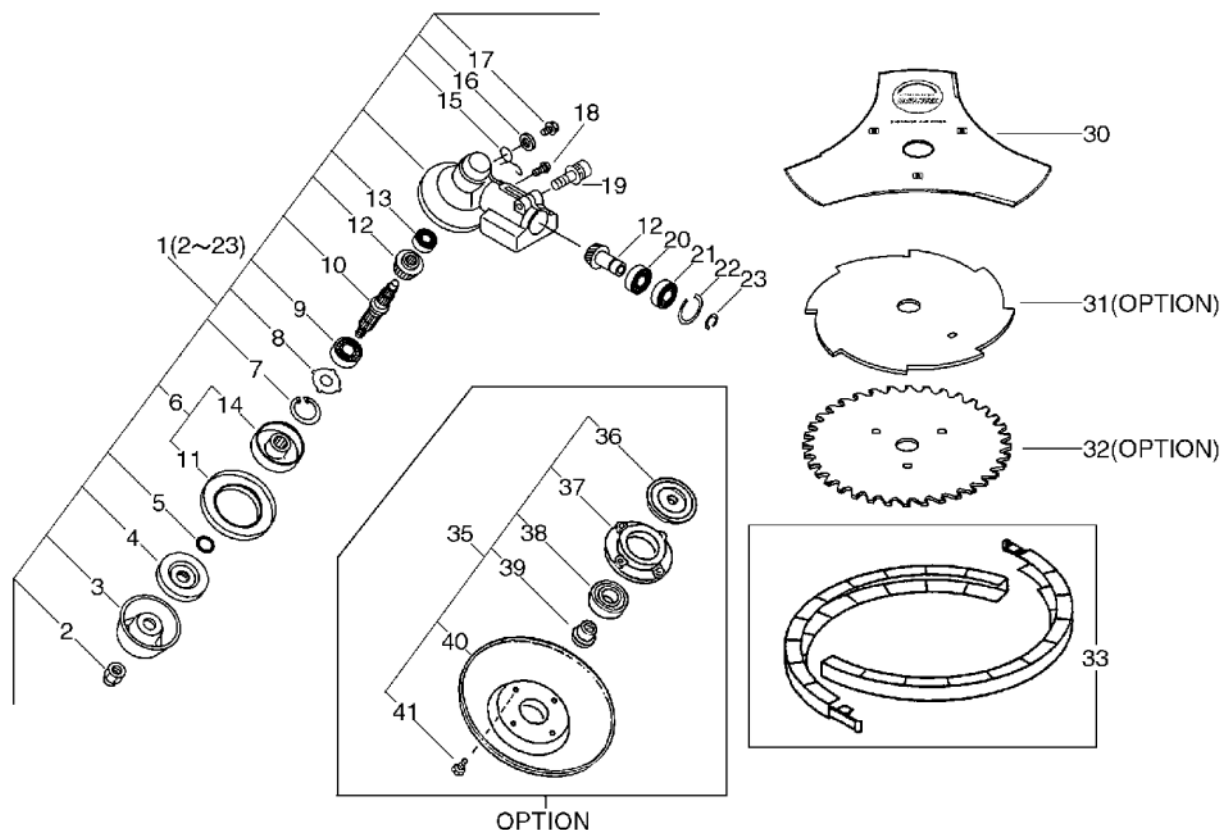
KEY	LV	PART NUMBER	Q'TY	DESCRIPTION	REMARKS	NOTE1	NOTE2
36	+	610313-56830	1	PLATE, ADAPTER (U)		OPTION	
37	+	699226-05430	1	HOLDER, BEARING		OPTION	
38	+	900814-06202	1	BEARING, BALL 6202	6202ZZ	OPTION	
39	+	699227-04630	1	NUT		OPTION	
40	+	699228-08930	1	PLATE, COVER		OPTION	
41	+	900141-05012	4	BOLT 5*12	5*12	OPTION	

17. Gear Case, Blade(Sr/Nr 36004203 and after)



KEY	LV	PART NUMBER	Q'TY	DESCRIPTION	REMARKS	NOTE1	NOTE2
1		610400-56932	1	CASE ASY, GEAR		Sus. by P021-012590	
1		P021-012590	1	CASE, GEAR			
2	+	610320-52130	1	NUT 10			
3	+	699229-56830	1	PLATE, COVER			
4	+	610314-52130	1	PLATE, ADAPTER (L)			
5	+	900720-00012	1	O-RING 12	P-12		
6	+	C535-000001	1	FIXTURE, BLADE			
11	++	610352-56830	1	PLATE, CUP			
14	++	C535-000011	1	FIXTURE, BLADE			
8	+	610444-56830	1	WASHER			
9	+	900812-06201	1	BEARING, BALL 6201	6201DDU(LLU)		
10	+	610310-56930	1	SHAFT, P.T.O.		Sus. by 610310-56931	
7	+	900702-00032	1	CIRCLIP 32	CR-32		
12	+	610300-56930	1	GEAR SET			
13	+	900810-00629	1	BEARING, BALL 629	629		
15	+	610473-52131	1	SPRING			
16	+	900603-50008	1	WASHER	8.5*18*0.8T		
17	+	610434-50031	1	BOLT 8*8	M8*8		
18	+	900242-05010	1	SCREW 5*10	5*10		
19	+	900162-06030	1	BOLT, H.S. 6*30	6*30W, SW	Sus. by 91118-06030	
19	+	91118-06030	1	BOLT	CM-6*30		
20	+	900800-06001	1	BEARING, BALL 6001	6001		
21	+	900803-06001	1	BEARING, BALL 6001	6001Z		

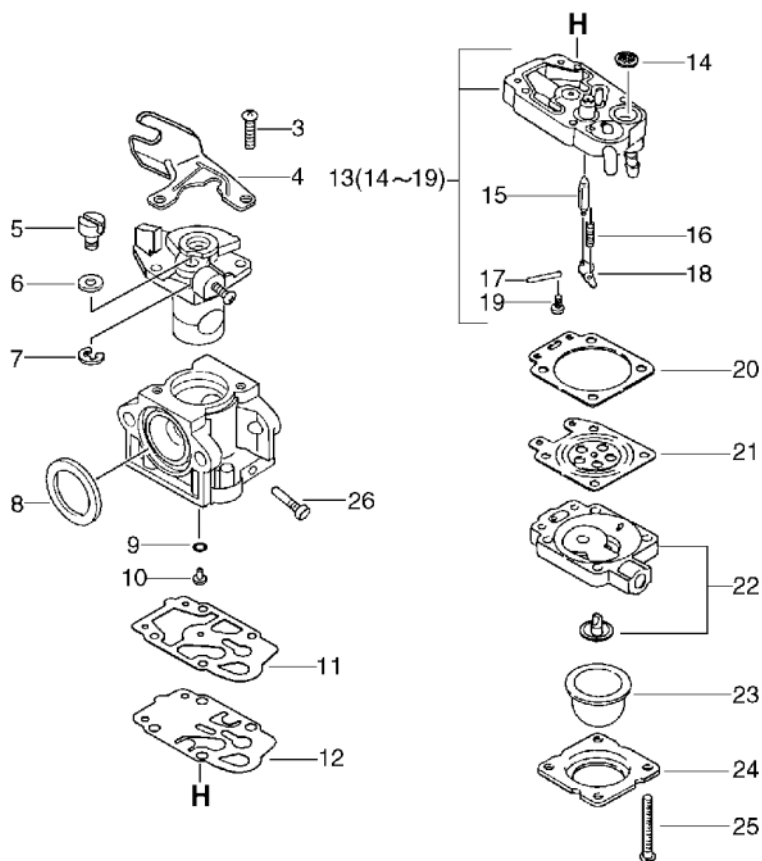
17. Gear Case, Blade(Sr/Nr 36004203 and after)



KEY	LV	PART NUMBER	Q'TY	DESCRIPTION	REMARKS	NOTE1	NOTE2
22	+	900702-00028	1	CIRCLIP 28	CR-28		
23	+	900701-00012	1	CIRCLIP 12	CS-12		
30		X405-000001	1	SAW,BUSH CUTTER	3*255*25.4*T2.0		
33		P021-007470	1	SCABBARD,BLADE			
31		696001-55631	1	BLADE, 8-CUTTER 10IN	255*8T*1.4 PD25		
32		695001-55631	1	SAW, CIRCULAR 10*80T	255*80T*1.4 PD25		
35		699200-56830	1	CAP ASSY, FREE			
36	+	610313-56830	1	PLATE, ADAPTER (U)			
37	+	699226-05430	1	HOLDER, BEARING			
38	+	900814-06202	1	BEARING, BALL 6202	6202ZZ		
39	+	699227-04630	1	NUT			
40	+	699228-08930	1	PLATE, COVER			
41	+	900141-05012	4	BOLT 5*12	5*12		

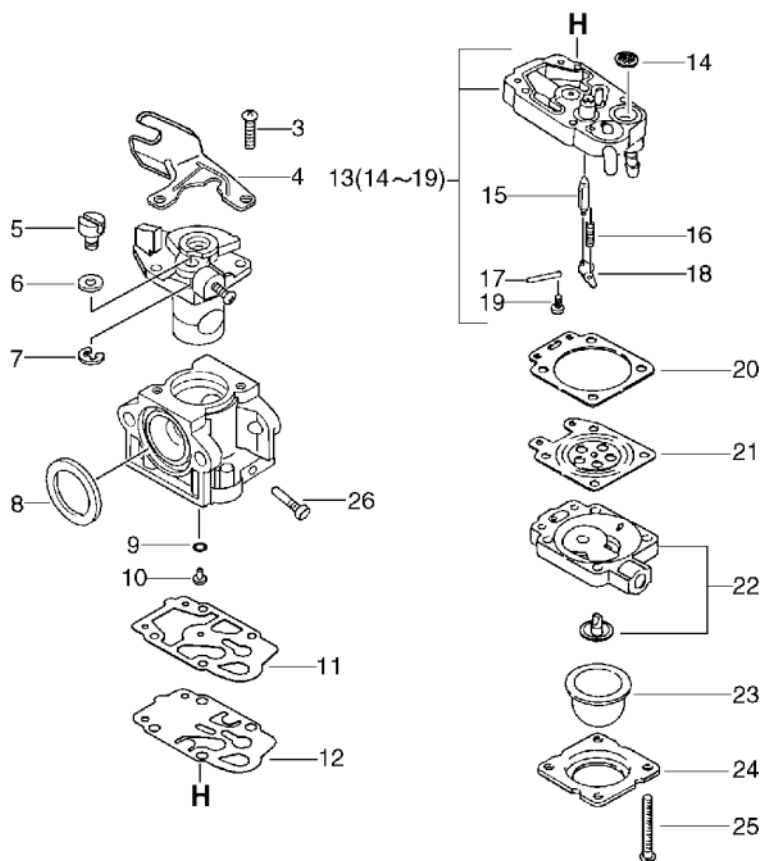


18. Carburetor(Sr/Nr 36002902 and before)



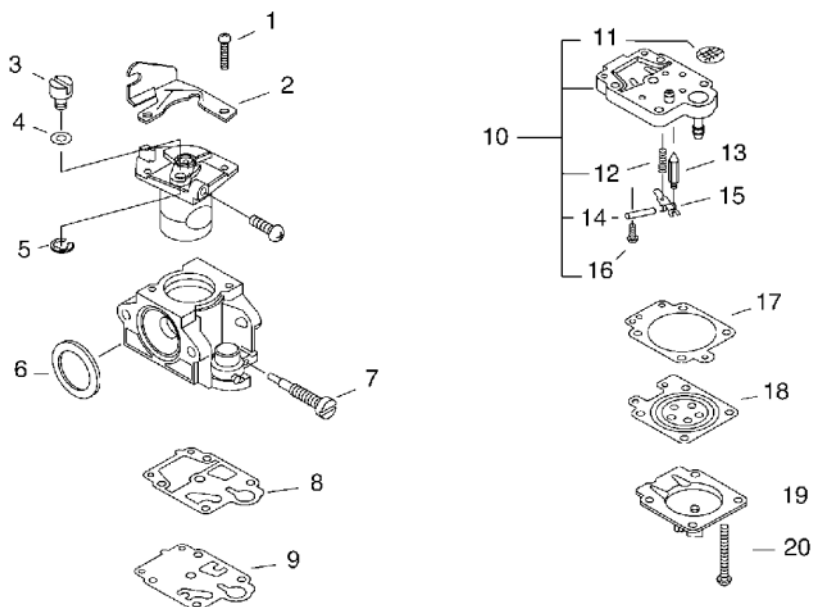
KEY	LV	PART NUMBER	Q'TY	DESCRIPTION	REMARKS	NOTE1	NOTE2
		A021-000280	1	CARBURETOR,DIAPHRAGM	WYK-134B	Sus. by A021-001050	
		A021-000281	1	CARBURETOR,DIAPHRAGM	WYK-134B	Sus. by A021-001050	
		A021-000282	1	CARBURETOR,DIAPHRAGM	WYK-134C	Sus. by A021-001050	
		A021-001050	1	CARBURETOR,DIAPHRAGM	WYK-218		
2	+	P003-000500	1	VALVE ASY THROTTLE		Can be used on A021-000280,281	
3	+	123114-40630	2	SCREW			
4	+	P003-000180	1	BRACKET CABLE			
5	+	123172-45130	1	SWIVEL			
6	+	123149-54230	1	WASHER			
7	+	123173-07930	1	CLIP			
8	+	123143-12110	1	RING, PACKING			
9	+	123183-40630	1	O-RING		Sr/Nr 36001256 and before	
10	+	P003-000490	1	JET		Sr/Nr 001410 and before	
10	+	P003-000530	1	JET		Sr/Nr 001411 to 36001256	
11	+	123125-40630	1	GASKET, PUMP			
12	+	123112-40630	1	DIAPHRAGM, PUMP			
13	+	P003-000510	1	BODY ASSEMBLY, PUMP			
14	++	123126-10631	1	SCREEN, INLET			

18. Carburetor(Sr/Nr 36002902 and before)



KEY	LV	PART NUMBER	Q'TY	DESCRIPTION	REMARKS	NOTE1	NOTE2
15	++	123137-19830	1	VALVE, INLET NEEDLE			
16	++	123122-05560	1	SPRING, METER. LEVER			
17	++	123138-03930	1	PIN, METERING LEVER			
18	++	123123-03930	1	LEVER, METERING			
19	++	123139-05560	1	SCREW, M. LEVER PIN			
20	+	123140-05560	1	GASKET, M. DIAPHRAGM			
21	+	123141-03930	1	DIAPHRAGM, METERING		Sr/Nr 001410 and before	
21	+	P003-000090	1	METERING, DIAPHRAGM		Sr/Nr 001411 and after	
22	+	123180-05560	1	BODY, AIR PURGE			
23	+	123181-40630	1	PUMP, PRIMER			
24	+	123142-05560	1	COVER, PRIMER PUMP			
25	+	123110-05560	4	SCREW, PUMP COVER			
26	+	P003-001130	1	NEEDLE, HIGH SPEED		Sr/Nr 36001257 and after	

19. Carburetor(Sr/Nr 36002903 and after)



KEY	LV	PART NUMBER	Q'TY	DESCRIPTION	REMARKS	NOTE1	NOTE2
		A021-001170	1	CARBURETOR,DIAPHRAGM	WYK-226	Sus. by A021-001171	
1	+	123114-40630	2	SCREW			
2	+	P003-000180	1	BRACKET CABLE			
3	+	123172-45130	1	SWIVEL			
4	+	123149-54230	1	WASHER			
5	+	123173-07930	1	CLIP			
6	+	123143-12110	1	RING, PACKING			
7	+	P003-001130	1	NEEDLE, HIGH SPEED			
8	+	P003-000100	1	GASKET, PUMP			
9	+	123112-40630	1	DIAPHRAGM, PUMP			
10	+	P003-001490	1	BODY ASSEMBLY, PUMP			
11	++	123126-10631	1	SCREEN, INLET			
12	++	123122-05560	1	SPRING, METER. LEVER			
13	++	123137-19830	1	VALVE, INLET NEEDLE			
14	++	123138-03930	1	PIN, METERING LEVER			
15	++	123123-03930	1	LEVER, METERING			
16	++	123139-05560	1	SCREW, M. LEVER PIN			
17	+	123140-27230	1	GASKET,M. DIAPHRAGM			
18	+	P003-000090	1	METERING, DIAPHRAGM			
19	+	P003-001500	1	COVER, PRIMER PUMP			
20	+	123144-44330	4	SCREW			

**Index**

<b>Patrs Number</b>	<b>Key No.</b>	<b>Patrs Number</b>	<b>Key No.</b>	<b>Patrs Number</b>	<b>Key No.</b>
100011-10530	1 - 10	123181-39130	7 - 30	178043-42230	14 - 39
100011-10530	1 - 10	123181-39130	8 - 30	178043-42230	15 - 39
100011-10530	2 - 10	123181-40630	18 - 23	178081-55931	14 - 42
100012-12331	1 - 13	123183-40630	18 - 9	178081-55931	15 - 42
100012-12331	2 - 13	131004-55530	9 - 2	178090-52630	14 - 28
100015-00120	1 - 12	131016-55830	9 - 3	178090-52631	14 - 28
100213-00310	1 - 22	131051-56030	9 - 4	178090-52632	14 - 28
100213-00310	2 - 22	131205-19830	9 - 10	178090-52632	15 - 28
100213-05530	1 - 17	131300-56430	9 - 15	178127-06960	6 - 6
100213-05530	2 - 17	132010-53630	9 - 9	224924-52130	14 - 19
100215-03930	1 - 21	132012-02960	9 - 14	224924-52130	15 - 19
100215-03930	2 - 21	132012-39330	6 - 27	300500-07131	14 - 2
101113-37530	1 - 6	132012-39330	7 - 27	300500-07131	15 - 2
101113-37530	2 - 6	132012-39331	7 - 27	300515-07130	14 - 10
104926-56230	10 - 10	132012-39331	8 - 27	300515-07130	15 - 10
104926-56230	11 - 10	132013-26630	9 - 11	301200-42230	14 - 31
123110-05560	18 - 25	132013-26630	9 - 16	301200-42230	15 - 31
123112-40630	18 - 12	132115-55930	9 - 12	351201-50430	14 - 3
123112-40630	19 - 9	156114-04920	3 - 6	351201-50431	14 - 3
123114-40630	18 - 3	159010-10230	3 - 3	351201-50431	15 - 3
123114-40630	19 - 1	159025-37530	1 - 8	351205-07130	14 - 4
123122-05560	18 - 16	159025-37530	2 - 8	351205-07131	14 - 4
123122-05560	19 - 12	162010-29330	3 - 7	351205-07131	15 - 4
123123-03930	18 - 18	163400-41630	14 - 29	351213-51830	14 - 26
123123-03930	19 - 15	163400-41630	15 - 29	351213-51830	15 - 26
123125-40630	18 - 11	175048-03920	3 - 14	351232-07130	14 - 6
123126-10631	18 - 14	175049-03920	3 - 16	351232-07130	15 - 6
123126-10631	19 - 11	177214-02830	10 - 15	351643-55630	14 - 9
123137-19830	18 - 15	177214-02830	11 - 15	351643-55630	15 - 9
123137-19830	19 - 13	177218-40630	4 - 23	437215-20760	6 - 28
123138-03930	18 - 17	177218-40630	5 - 23	437215-20760	7 - 28
123138-03930	19 - 14	177220-06310	4 - 29	437215-20760	8 - 28
123139-05560	18 - 19	177220-06310	5 - 29	437215-20760	9 - 13
123139-05560	19 - 16	177226-06310	4 - 30	604044-12560	10 - 13
123140-05560	18 - 20	177226-06310	5 - 30	604044-12560	11 - 13
123140-27230	19 - 17	177227-42030	4 - 31	610013-27630	14 - 14
123141-03930	18 - 21	177227-42030	5 - 31	610013-27630	15 - 14
123142-05560	18 - 24	177228-27030	4 - 32	610020-07131	14 - 15
123143-12110	18 - 8	177228-27030	5 - 32	610020-07131	15 - 15
123143-12110	19 - 6	177236-06910	4 - 27	610250-45930	1 - 30
123144-44330	19 - 20	177236-06910	5 - 27	610250-45930	2 - 30
123149-54230	18 - 6	178003-51830	14 - 34	610251-45930	1 - 34
123149-54230	19 - 4	178003-51830	15 - 34	610251-45930	2 - 34
123172-45130	18 - 5	178010-52130	14 - 38	610252-45931	1 - 35
123172-45130	19 - 3	178010-52130	15 - 38	610252-45931	2 - 35
123173-07930	18 - 7	178012-52630	14 - 30	610257-56330	14 - 44
123173-07930	19 - 5	178012-52630	15 - 30	610257-56330	15 - 44
123180-05560	18 - 22	178013-52630	14 - 27	610272-51830	14 - 23
123181-39130	6 - 30	178013-52630	15 - 27	610272-51830	15 - 23

**Index**

<b>Patrs Number</b>	<b>Key No.</b>	<b>Patrs Number</b>	<b>Key No.</b>	<b>Patrs Number</b>	<b>Key No.</b>
610281-42230	14 - 12	890617-43130	15 - 43	900162-05020	1 - 3
610281-42230	15 - 12	895112-00330	12 - 2	900162-05020	1 - 33
610300-56930	16 - 12	895112-00330	13 - 2	900162-05020	2 - 3
610300-56930	17 - 12	895410-08030	12 - 3	900162-05020	2 - 33
610310-56930	16 - 10	895610-00130	12 - 1	900162-05020	3 - 9
610310-56930	17 - 10	895610-00130	13 - 1	900162-05025	12 - 23
610313-56830	16 - 36	897518-01131	12 - 4	900162-05030	14 - 21
610313-56830	17 - 36	897518-01131	13 - 4	900162-05030	15 - 21
610314-52130	16 - 4	898503-50030	16 - 33	900162-05035	1 - 23
610314-52130	17 - 4	898510-39130	12 - 6	900162-05035	2 - 23
610320-52130	16 - 2	898510-39130	13 - 6	900162-06030	16 - 19
610320-52130	17 - 2	898562-43230	16 - 34	900162-06030	17 - 19
610352-56830	16 - 11	899580-68730	12 - 5	900241-04008	1 - 32
610352-56830	17 - 11	900100-10020	10 - 7	900241-04008	2 - 32
610400-56931	16 - 1	900100-10020	11 - 7	900242-05010	16 - 18
610400-56932	16 - 1	900100-10025	11 - 7	900242-05010	17 - 18
610400-56932	17 - 1	900105-05055	6 - 14	900242-05014	14 - 7
610434-50030	16 - 17	900105-05055	7 - 14	900242-05014	14 - 32
610434-50031	16 - 17	900105-05055	8 - 14	900242-05014	15 - 7
610434-50031	17 - 17	900105-06060	6 - 23	900242-05014	15 - 32
610444-56830	16 - 8	900105-06060	7 - 23	900242-05018	12 - 17
610444-56830	17 - 8	900105-06060	8 - 23	900242-05018	13 - 17
610473-52131	16 - 15	900106-05012	10 - 12	900242-05025	14 - 36
610473-52131	17 - 15	900106-05012	10 - 17	900242-05025	14 - 48
695001-55630	16 - 32	900106-05012	1 - 41	900242-05025	15 - 36
695001-55631	16 - 32	900106-05012	11 - 12	900242-05025	15 - 48
695001-55631	17 - 32	900106-05012	11 - 17	900242-05028	14 - 25
696001-55630	16 - 31	900106-05012	2 - 41	900242-05028	15 - 25
696001-55631	16 - 31	900106-05012	6 - 25	900242-05035	14 - 5
696001-55631	17 - 31	900106-05012	7 - 25	900242-05035	14 - 35
699013-56830	12 - 22	900106-05012	9 - 6	900242-05035	15 - 5
699013-56830	13 - 22	900106-05016	10 - 18	900242-05035	15 - 35
699200-56830	16 - 35	900106-05016	11 - 18	900252-05012	12 - 13
699200-56830	17 - 35	900106-05020	10 - 5	900252-05012	13 - 13
699226-05430	16 - 37	900106-05020	1 - 36	900253-04008	6 - 16
699226-05430	17 - 37	900106-05020	11 - 5	900253-04025	14 - 13
699227-04630	16 - 39	900106-05020	2 - 36	900253-04025	15 - 13
699227-04630	17 - 39	900106-05020	4 - 33	900323-03014	3 - 19
699228-08930	16 - 40	900106-05020	5 - 33	900500-00005	14 - 8
699228-08930	17 - 40	900106-05025	4 - 34	900500-00005	14 - 24
699229-56830	16 - 3	900106-05025	5 - 34	900500-00005	14 - 37
699229-56830	17 - 3	900106-05025	6 - 4	900500-00005	14 - 49
890118-17930	4 - 35	900106-05025	7 - 4	900500-00005	15 - 8
890118-17930	5 - 35	900106-05025	8 - 4	900500-00005	15 - 24
890157-39130	14 - 33	900141-05012	16 - 41	900500-00005	15 - 37
890157-39130	15 - 33	900141-05012	17 - 41	900500-00005	15 - 49
890160-42230	14 - 1	900162-05012	6 - 20	900502-00005	10 - 20
890160-42230	15 - 1	900162-05012	7 - 20	900502-00005	11 - 20
890617-43130	14 - 43	900162-05012	8 - 20	900502-00006	6 - 8

**Index**

<b>Patrs Number</b>	<b>Key No.</b>	<b>Patrs Number</b>	<b>Key No.</b>	<b>Patrs Number</b>	<b>Key No.</b>
900502-00006	7 - 8	91118-05030	15 - 21	A130-000721	1 - 2
900502-00006	8 - 8	91118-06030	17 - 19	A130-000721	2 - 2
900502-00008	4 - 24	91121-05012	11 - 17	A160-000240	1 - 39
900502-00008	5 - 24	91121-05012	2 - 41	A160-000241	1 - 39
900516-00005	10 - 3	91121-05012	7 - 25	A160-000241	2 - 39
900516-00005	11 - 3	91121-05012	8 - 25	A162-000020	1 - 38
900519-00010	3 - 17	91121-05020	2 - 36	A162-000020	2 - 38
900565-00005	12 - 16	91121-05020	5 - 33	A172-000140	1 - 31
900565-00005	13 - 16	91121-05025	5 - 34	A172-000140	2 - 31
900600-00005	10 - 22	91145-05016	10 - 21	A200-000060	6 - 3
900600-00005	11 - 22	91145-05016	11 - 21	A200-000060	7 - 3
900600-00005	14 - 45	91147-05020	10 - 16	A200-000060	8 - 3
900600-00005	15 - 45	91147-05020	11 - 16	A226-000080	6 - 15
900600-00010	10 - 8	94035-36201	1 - 18	A226-000220	6 - 15
900600-00010	11 - 8	94035-36201	2 - 18	A226-000320	6 - 15
900603-50008	16 - 16	94042-06001	1 - 26	A226-000320	7 - 15
900603-50008	17 - 16	94042-06001	2 - 26	A226-000360	7 - 15
900605-00005	14 - 46	94064-06202	10 - 11	A226-000360	8 - 15
900605-00010	10 - 9	94064-06202	11 - 11	A232-000090	6 - 18
900605-00010	11 - 9	A011-000120	1 - 15	A232-000091	6 - 18
900701-00012	1 - 27	A011-000120	2 - 15	A232-000300	6 - 18
900701-00012	16 - 23	A014-000000	1 - 5	A232-000320	6 - 32
900701-00012	17 - 23	A014-000000	2 - 5	A232-000320	7 - 32
900701-00012	2 - 27	A021-000280	18 -	A232-000320	8 - 32
900702-00028	1 - 25	A021-000280	6 - 9	A235-000060	6 - 10
900702-00028	16 - 22	A021-000281	18 -	A239-000050	8 - 33
900702-00028	17 - 22	A021-000281	6 - 9	A244-000010	6 - 13
900702-00028	2 - 25	A021-000282	18 -	A244-000010	7 - 13
900702-00032	16 - 7	A021-000282	6 - 9	A244-000010	8 - 13
900702-00032	17 - 7	A021-001050	18 -	A248-000000	14 - 47
900720-00012	16 - 5	A021-001050	6 - 9	A248-000000	15 - 47
900720-00012	17 - 5	A021-001170	19 -	A300-000180	6 - 21
900720-00018	14 - 17	A021-001170	6 - 9	A320-000070	6 - 24
900720-00018	15 - 17	A021-001170	7 - 9	A320-000070	7 - 24
900800-06001	16 - 20	A021-001170	8 - 9	A320-000070	8 - 24
900800-06001	17 - 20	A021-001171	8 - 9	A320-000071	8 - 24
900803-06001	16 - 21	A051-000070	4 - 26	A323-000000	6 - 17
900803-06001	17 - 21	A051-000070	5 - 26	A350-000080	9 - 1
900810-00629	16 - 13	A052-000010	4 - 20	A350-000081	9 - 1
900810-00629	17 - 13	A052-000011	4 - 20	A390-000000	9 - 7
900810-36202	1 - 19	A052-000011	5 - 20	A390-000010	9 - 8
900810-36202	2 - 19	A128-000060	6 - 1	A393-000030	9 - 5
900812-06201	16 - 9	A128-000060	7 - 1	A409-000060	3 - 18
900812-06201	17 - 9	A128-000060	8 - 1	A409-000061	3 - 18
900814-06202	10 - 11	A130-000200	1 - 2	A411-000050	3 - 10
900814-06202	16 - 38	A130-000201	1 - 2	A426-000000	3 - 2
900814-06202	17 - 38	A130-000202	1 - 2	A427-000000	3 - 1
91118-05020	2 - 33	A130-000203	1 - 2	A553-000030	3 - 15
91118-05025	13 - 23	A130-000720	1 - 2	A553-000040	3 - 15

**Index**

<b>Patrs Number</b>	<b>Key No.</b>	<b>Patrs Number</b>	<b>Key No.</b>	<b>Patrs Number</b>	<b>Key No.</b>
A556-000150	1 - 24	P003-001130	18 - 26	V103-000070	8 - 2
A556-000151	1 - 24	P003-001130	19 - 7	V103-000080	6 - 5
A556-000151	2 - 24	P003-001490	19 - 10	V103-000080	7 - 5
A557-000000	3 - 12	P003-001500	19 - 19	V103-000080	8 - 5
C050-000040	14 - 11	P021-002460	1 - 9	V104-000210	6 - 19
C050-000040	15 - 11	P021-002461	1 - 9	V104-000210	7 - 19
C061-000040	10 - 1	P021-002470	1 - 16	V104-000210	8 - 19
C061-000041	10 - 1	P021-002471	1 - 16	V141-000020	3 - 4
C061-000041	11 - 1	P021-002471	2 - 16	V150-000550	6 - 22
C483-000010	14 - 20	P021-002480	3 - 11	V150-000550	7 - 22
C483-000010	15 - 20	P021-002481	3 - 11	V150-000550	8 - 22
C504-000070	14 - 16	P021-002490	6 - 12	V186-000080	7 - 29
C504-000070	15 - 16	P021-002491	6 - 12	V186-000080	8 - 29
C508-000020	14 - 18	P021-002620	12 - 10	V186-000120	6 - 29
C508-000020	15 - 18	P021-005910	3 - 18	V186-000120	7 - 29
C510-000020	14 - 22	P021-005911	3 - 18	V253-000100	6 - 31
C510-000020	15 - 22	P021-007470	16 - 33	V253-000100	7 - 31
C535-000000	16 - 6	P021-007470	17 - 33	V253-000100	8 - 31
C535-000001	16 - 6	P021-008190	3 - 11	V307-000060	1 - 14
C535-000001	17 - 6	P021-008910	6 - 21	V307-000060	2 - 14
C535-000010	16 - 14	P021-008910	7 - 21	V346-000000	3 - 14
C535-000011	16 - 14	P021-008910	8 - 21	V353-000020	1 - 37
C535-000011	17 - 14	P021-009470	1 - 9	V353-000020	2 - 37
C550-000080	12 - 11	P021-009590	6 - 12	V430-000310	6 - 7
C550-000080	13 - 11	P021-009590	7 - 12	V430-000310	7 - 7
C550-000090	12 - 21	P021-009590	8 - 12	V430-000310	8 - 7
C550-000090	13 - 21	P021-009600	6 - 18	V430-000320	14 - 40
C550-000100	12 - 20	P021-009600	7 - 18	V430-000321	14 - 40
C550-000100	13 - 15	P021-009600	8 - 18	V430-000321	15 - 40
C554-000000	12 - 12	P021-011210	2 - 9	V450-000140	10 - 14
C554-000030	13 - 12	P021-012590	17 - 1	V450-000141	10 - 14
C617-000090	10 - 19	P021-013770	13 - 18	V450-000141	11 - 14
C617-000090	11 - 19	P022-002080	4 - 28	V451-000230	3 - 13
C620-000110	10 - 23	P022-002080	5 - 28	V451-000480	3 - 13
C620-000110	11 - 23	P022-002090	4 - 22	V453-000070	3 - 16
C627-000020	10 - 6	P022-002090	5 - 22	V471-001560	6 - 26
C627-000020	11 - 6	P022-002100	4 - 21	V471-001560	7 - 26
C632-000010	10 - 4	P022-002100	5 - 21	V471-001560	8 - 26
C632-000010	11 - 4	P022-002110	1 - 7	V475-001500	14 - 41
J485-000030	6 - 11	P022-002110	2 - 7	V475-001500	15 - 41
P003-000090	18 - 21	P022-007890	10 - 2	V475-001510	6 - 6
P003-000090	19 - 18	P022-007890	11 - 2	V475-001510	7 - 6
P003-000100	19 - 8	V100-000040	1 - 4	V475-001510	8 - 6
P003-000180	18 - 4	V100-000040	2 - 4	V475-001610	3 - 5
P003-000180	19 - 2	V102-000000	1 - 20	V485-000150	3 - 8
P003-000490	18 - 10	V102-000001	1 - 20	V580-000010	1 - 12
P003-000500	18 - 2	V102-000001	2 - 20	V580-000010	2 - 12
P003-000510	18 - 13	V103-000070	6 - 2	V608-000000	1 - 11
P003-000530	18 - 10	V103-000070	7 - 2	V608-000000	2 - 11

**Index**

<b>Patrs Number</b>	<b>Key No.</b>	<b>Patrs Number</b>	<b>Key No.</b>	<b>Patrs Number</b>	<b>Key No.</b>
X405-000000	16 - 30				
X405-000001	16 - 30				
X405-000001	17 - 30				
X502-000460	5 - 35				
X503-001960	1 - 40				
X503-001960	2 - 40				
X547-001080	2 - 40				
X602-000020	12 - 3				
X602-000020	13 - 3				
X690-000030	12 - 5				
X690-000030	13 - 5				



# YAMABIKO CORPORATION

7-2 SUEHIROCHO 1-CHOME, OHME, TOKYO 198-8760, JAPAN  
PHONE: 81-428-32-6118. FAX: 81-428-32-6145.

