



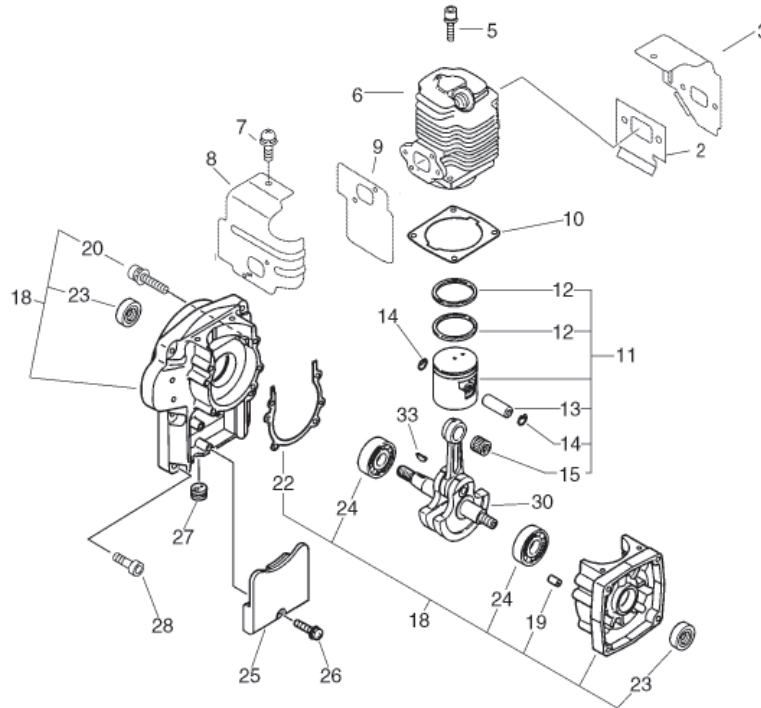
PARTS CATALOGUE

MIST BLOWER

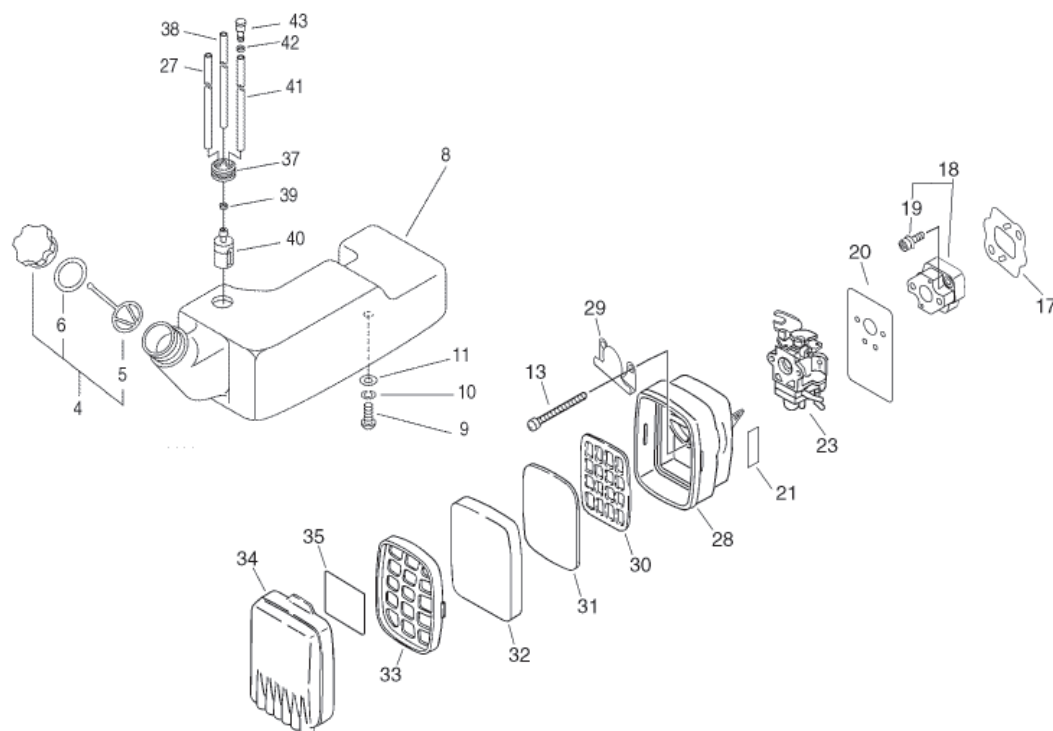
MB-580



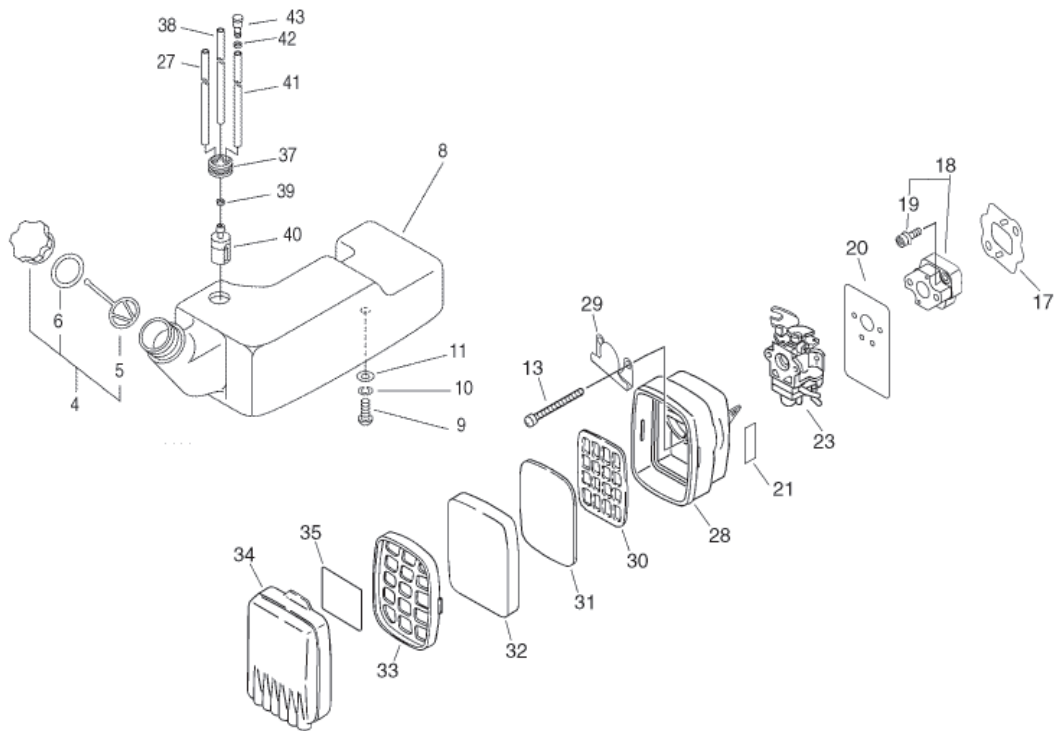
P014-001550-11Gb



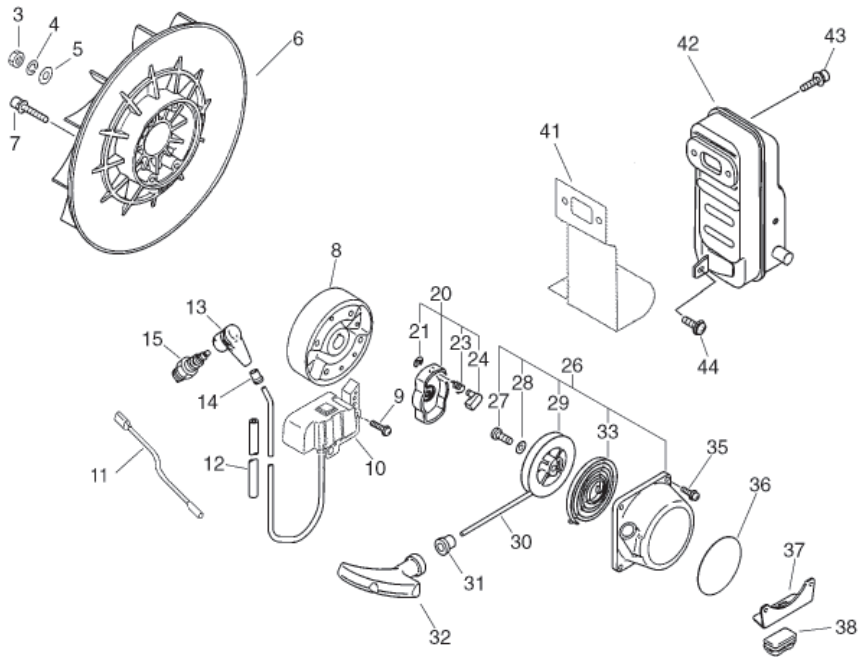
KEY	LV	PART NUMBER	Q'TY	DESCRIPTION	REMARKS
2		V104-001920	1	GASKET,EXHAUST	
3		A160-000450	1	COVER,CYLINDER	
5		900162-05022	4	BOLT, H.S. 5*22	
6		A130-000111	1	CYLINDER	
7		900242-05010	1	SCREW 5*10	
8		101514-08260	1	COVER, CYLINDER	
9		V103-001490	1	GASKET,INTAKE	
10		101010-06211	1	GASKET, CYL. BASE	
11		P021-038580	1	PISTON KIT	
12	+	100011-08360	2	RING, PISTON	
13	+	100013-06210	1	PIN, PISTON	
14	+	V580-000010	2	RING,END	
15	+	100012-12330	1	BEARING, NEEDLE	
18		P021-014700	1	CRANKCASE SET	
19	+	100215-03930	2	PIN, DOWEL	
20	+	900162-05040	4	BOLT, H.S. 5*40	
22	+	100242-10721	1	GASKET, CRANKCASE	
23	+	100213-00310	2	OILSEAL	
24	+	900810-36202	2	BEARING, BALL 6202	
25		159129-08261	1	COVER, DUST	
26		900238-05018	1	SCREW 5*18	
27		151112-04630	1	BUSHING	
28		900292-05025	6	SCREW 5*25	
30		100100-06210	1	CRANKSHAFT ASSY	
33		900323-03014	1	KEY WOODRUFF	



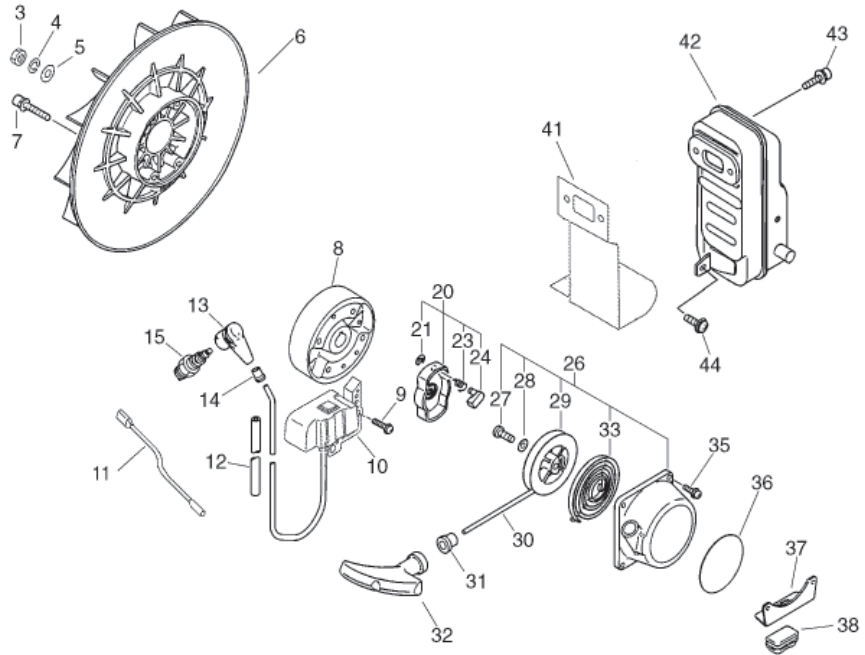
KEY	LV	PART NUMBER	Q'TY	DESCRIPTION	REMARKS
4		131004-55530	1	CAP ASSY, FUEL TANK	
5	+	131051-56030	1	CLIP, FUEL CAP	
6	+	131016-55830	1	GASKET, FUEL CAP	
8		A350-001910	1	TANK, FUEL	
9		900220-06014	2	SCREW +-SR 6*14	
10		900605-00006	2	WASHER, SPRING 6	
11		145642-00760	2	WASHER 6.5*18*1.6	
13		91331-05060	2	SCREW	
17		V103-000000	1	GASKET,INTAKE	
18		P021-010211	1	INSULATOR,INTAKE KIT	
19	+	900106-05030	2	BOLT, H.S.H. 5*30	
20		V103-001440	1	GASKET,INTAKE	
21		890121-65830	1	LABEL, CHOKE	
23		A021-003590	1	CARBURETOR,DIAPHRAGM	
27		V471-000550	1	PIPE	
28		P021-038090	1	CLEANER CASE ASY	
29		A244-000020	1	PLATE,PREVENT	
30		130319-03710	1	GRID, AIR CLEANER	
31		130317-03710	1	FILTER, AIR	
32		130310-02910	1	FILTER, AIR	
33		130311-03710	1	GRID, AIR CLEANER	
34		130313-10720	1	COVER, AIR CLEANER	
35		890187-03710	1	LABEL, CLEANER	
37		132115-55930	1	GROMMET, FUEL	



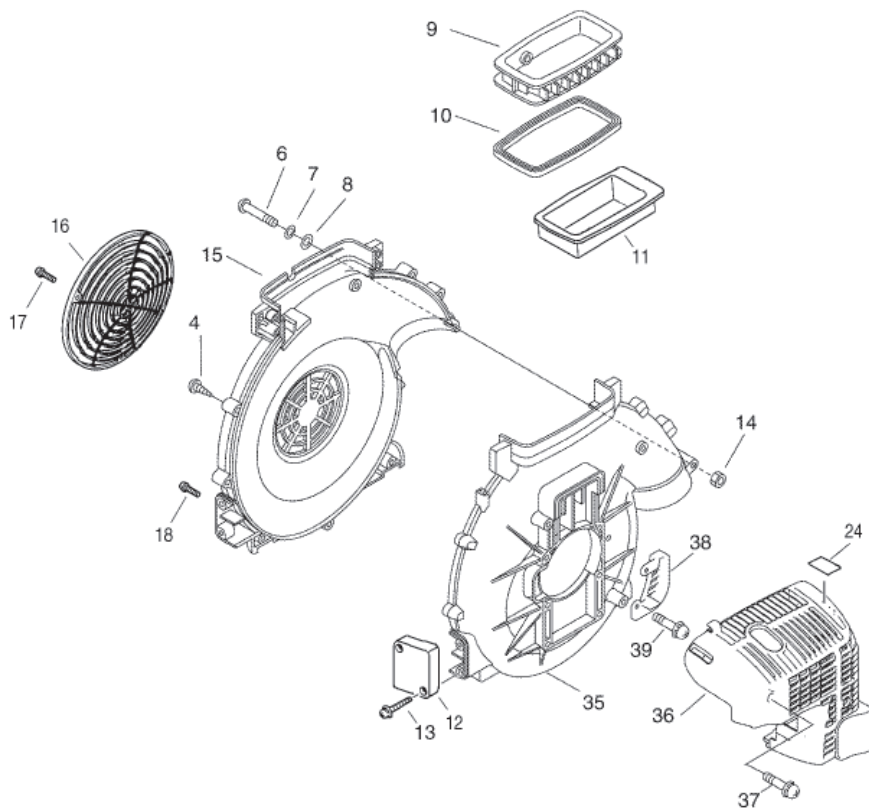
KEY	LV	PART NUMBER	Q'TY	DESCRIPTION	REMARKS
38		V471-000770	1	PIPE	
39		132013-26630	2	CLIP	
40		131205-19831	1	STRAINER, FUEL	
41		132010-56030	1	PIPE 3*6*110	
42		132013-05060	1	CLIP, PIPE	
43		A356-000030	1	VALVE,CHECK	



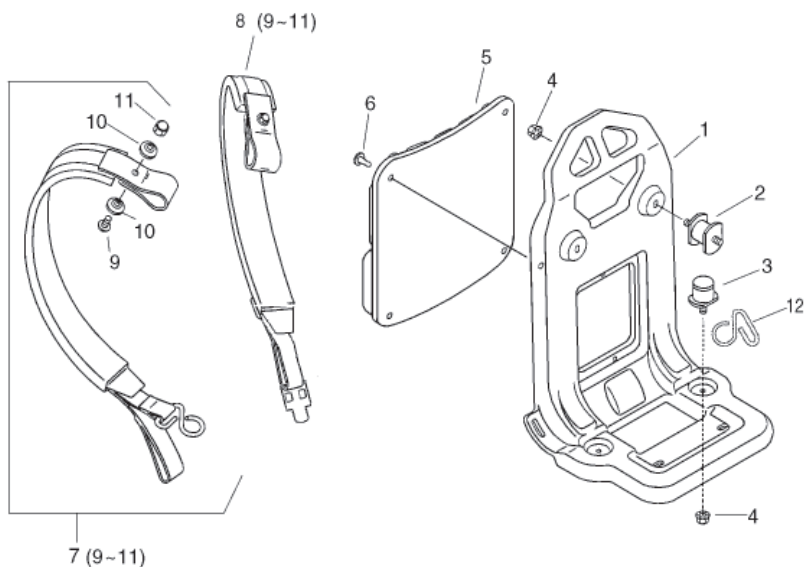
KEY	LV	PART NUMBER	Q'TY	DESCRIPTION	REMARKS
3		900501-00010	1	NUT 10*1.25	
4		900605-00010	1	WASHER, SPRING 10	
5		900602-00010	1	WASHER 10(10.5*21*2)	
6		200005-06210	1	FAN	
7		900148-05035	4	BOLT 5*35	
8		156800-06161	1	ROTOR, MAGNETO	
9		900238-05018	2	SCREW 5*18	
10		A415-000010	1	MODULE, CDI	
11		V485-000190	1	LEAD	
12		156611-04260	1	TUBE	
13		159012-10230	1	CAP, SPARK PLUG	
14		159016-05330	1	ADAPTER, PLUG CAP	
15		159010-10230	1	PLUG, SPARK (BPMR-7A	
20		177202-06210	1	PAWL ASSY, STARTER	
21	+	900700-00004	1	E-RING 4	
23	+	177234-40630	1	SPRING, RETURN	
24	+	177218-40630	1	PAWL, STARTER	
26		177200-06210	1	STARTER ASSY	
27	+	177236-40630	1	SCREW	
28	+	177214-40630	1	WASHER	
29	+	177215-11120	1	DRUM, STARTER	
30	+	177226-11120	1	ROPE, STARTER	
31	+	177227-42030	1	GUIDE, ROPE	
32	+	177228-11120	1	GRIP, STARTER	



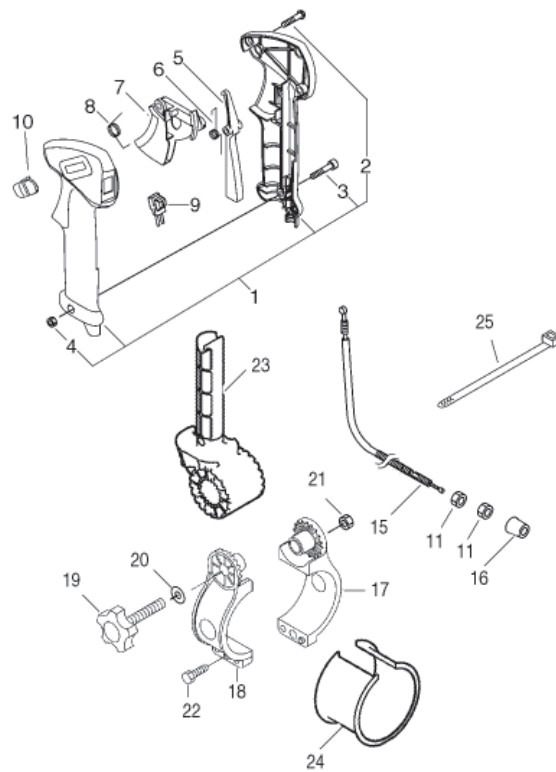
KEY	LV	PART NUMBER	Q'TY	DESCRIPTION	REMARKS
33	+	177220-11120	1	REWIND SPRING	
35		900292-04018	4	SCREW 4*18	
36		X502-000410	1	LABEL,ECHO	
37		V152-002980	1	PLATE,ANGLE	
38		305117-03360	1	CUSHION	
41		V104-001940	1	GASKET,EXHAUST	
42		P021-008630	1	MUFFLER ASY	
43		900105-06020	2	BOLT, H.S. 6*20	
44		900242-05014	1	SCREW 5*14	



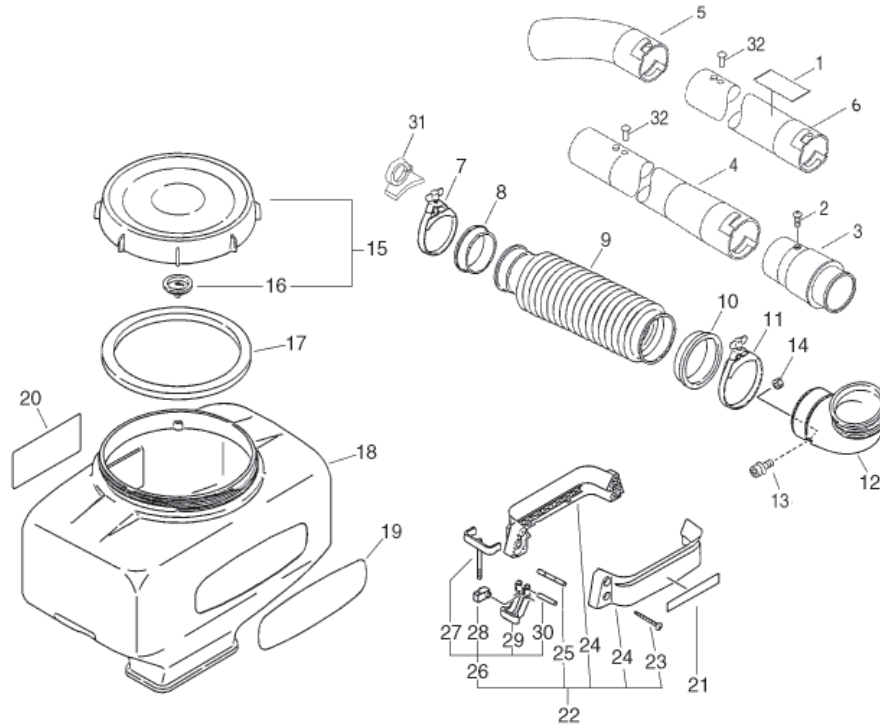
KEY	LV	PART NUMBER	Q'TY	DESCRIPTION	REMARKS
4		900286-05025	11	SCREW 5*25 SUS	
6		210425-04110	2	BOLT	
7		900609-00005	2	WASHER, SPRING 5 SUS	
8		900604-00005	2	WASHER 5 SUS	
9		270010-06211	1	TANK, LOWER	
10		270018-06210	1	PACKING	
11		E109-000050	1	LID,FANCASE	
12		E109-000060	1	LID,FANCASE	
13		900286-05016	2	SCREW 5*16 SUS	
14		900504-00005	2	NUT 5B	
15		200105-07712	1	CASE, FAN	
16		200124-09860	1	GRID, FAN CASE	
17		900286-05016	3	SCREW 5*16 SUS	
18		900292-05014	2	SCREW 5*14	
24		X505-002310	1	LABEL,CAUTION	
35		200107-07717	1	CASE, FAN	
36		A190-001130	1	COVER,ENGINE	
37		900292-05020	3	SCREW 5*20	
38		A190-001120	1	COVER,ENGINE	
39		900292-05014	2	SCREW 5*14	



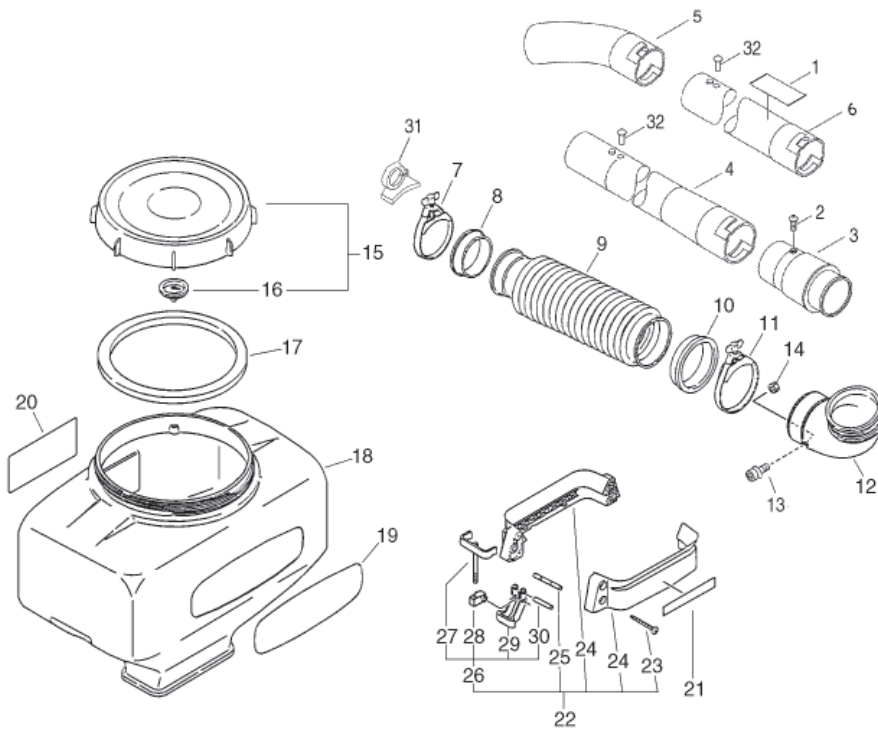
KEY	LV	PART NUMBER	Q'TY	DESCRIPTION	REMARKS
1		300010-07311	1	FRAME, BACKPACK	
2		200910-06210	2	CUSHION	
3		200916-03210	2	CUSHION	
4		250916-06210	4	NUT	
5		300111-14010	1	CUSHION, KNAPSACK	
6		300333-06160	4	CLIP	
7		C061-000410	1	HARNESS,ASM BACKPACK	
8		C061-000420	1	HARNESS,ASM BACKPACK	
9	+	900216-05016	2	SCREW, 5*16	
10	+	300328-03210	4	WASHER, HARNESS	
11	+	900560-00005	2	NUT, LOCK 5	
12		C646-000110	1	RING, HARNESS	



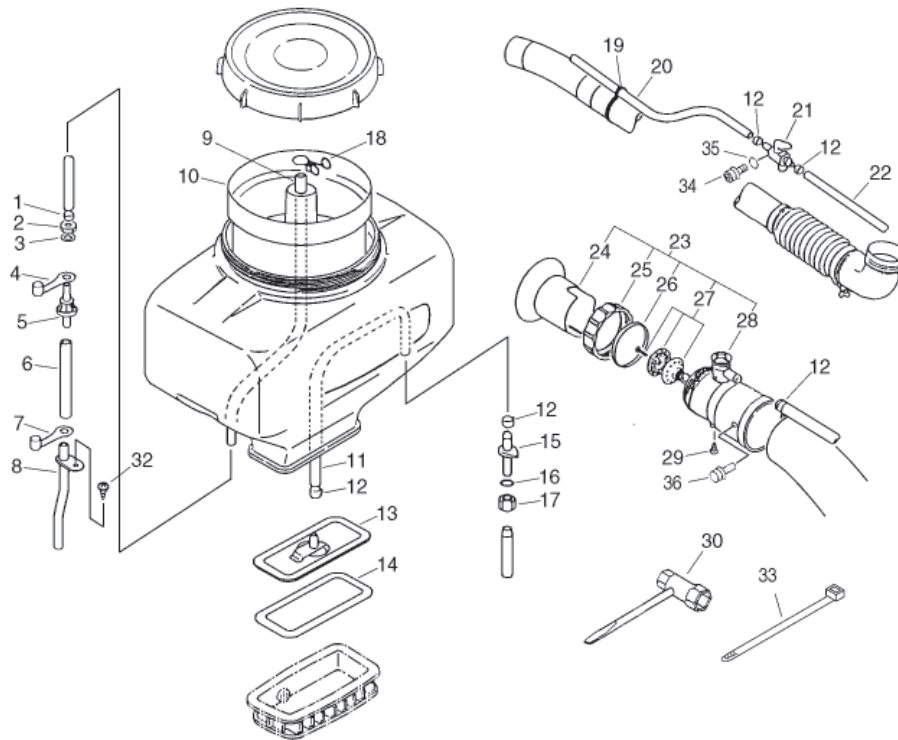
KEY	LV	PART NUMBER	Q'TY	DESCRIPTION	REMARKS
1		P021-014090	1	GRIP ASY,F-HANDLE	
2	+	900256-04016	3	SCREW 4*16	
3	+	91119-05030	1	BOLT	
4	+	900500-00005	1	NUT 5	
5		C460-000111	1	LOCKOUT, THROTTLE	
6		V452-000350	1	SPRING, TORSION	
7		C450-000270	1	CONTROL, THROTTLE	
8		V452-000360	1	SPRING, TORSION	
9		A440-001930	1	SWITCH, ON OFF	
10		C463-000020	1	KNOB, LATCH	
11		900502-00006	2	NUT 6 (3N)	
15		V430-003660	1	CABLE, BOWDEN	
16		V494-000080	1	CAP	
17		C405-000250	1	BRACKET, HANDLE	
18		C405-000260	1	BRACKET, HANDLE	
19		305812-08260	1	KNOB, FASTENER	
20		178516-07560	1	WASHER 6	
21		433019-03933	1	NUT, FLANGE 6	
22		900253-05020	1	SCREW 5*20	
23		C472-000110	1	FIXTURE, TRIGGER BRKT	
24		E281-000000	1	COLLAR, BLOW PIPE	
25		178121-43230	1	BAND	



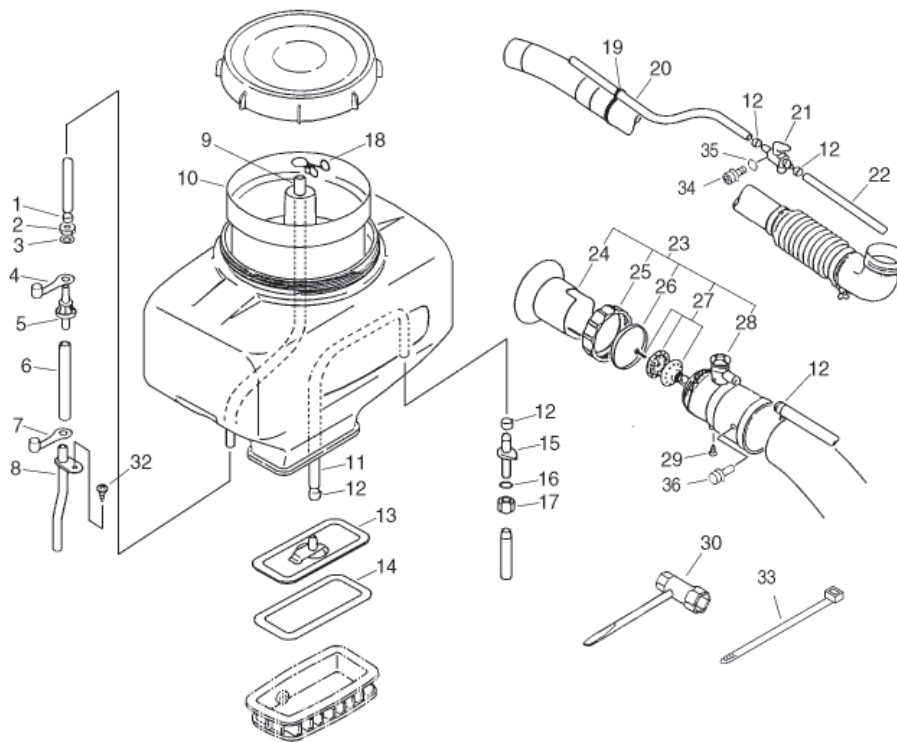
KEY	LV	PART NUMBER	Q'TY	DESCRIPTION	REMARKS
1		X524-003900	1	LABEL	
2		900256-05010	1	SCREW, TAPPING	
3		210002-04111	1	PIPE, SWIVEL	
4		E165-000570	1	PIPE, BLOWER	
5		E165-000591	1	PIPE, BLOWER	
6		E165-000580	1	PIPE, BLOWER	
7		V495-000430	1	BAND	
8		210032-04110	1	PACKING, FLX. PIPE	
9		210013-04111	1	PIPE, FLEXIBLE	
10		210036-04110	1	GASKET, FLX. PIPE	
11		V495-000440	1	BAND	
12		210011-05510	1	ELBOW, BLOWING	
13		900242-05014	1	SCREW 5*14	
14		900500-00005	1	NUT 5	
15		250001-05610	1	CAP, CHEMICAL TANK	
16	+	250013-00310	1	CAP, INSIDE	
17		250011-02011	1	PACKING	
18		250017-08013	1	TANK, CHEMICAL	
19		X502-000440	1	LABEL, ECHO	
20		890160-09461	1	LABEL, CAUTION	
21		X503-010950	1	LABEL, MODEL	
22		270000-06311	1	HOLDER ASSY, C.TANK	
23	+	91148-05035	4	BOLT HS FL TAPP	
24	+	E115-000060	2	FIXTURE, TANK	



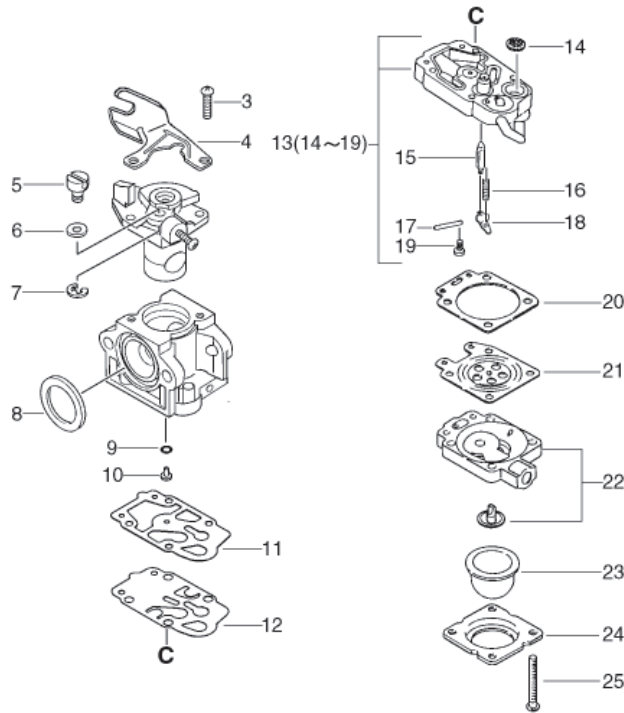
KEY	LV	PART NUMBER	Q'TY	DESCRIPTION	REMARKS
25	+	250914-06210	2	PIN, TANK HOLDER	
26	+	250902-06310	1	BRACKET ASSY, C.TANK	
27	++	250915-06310	2	BOLT, TANK HOLDER	
28	++	250930-06210	2	CONNECTOR, BRACKET	
29	++	250932-06210	2	BRACKET, TANK	
30	++	900333-70380	2	PIN, STRAIGHT	
31		V491-000191	1	CLIP	
32		V490-001120	3	CLIP	



KEY	LV	PART NUMBER	Q'TY	DESCRIPTION	REMARKS
1		132013-14010	1	BAND	
2		363019-00310	1	NUT, CONNECTOR	
3		363018-00310	1	WASHER	
4		363022-00510	1	PLUG	
5		363017-00310	1	CONNECTOR, PIPE	
6		363011-00210	1	PIPE, AIR (OUTER)	
7		363021-01110	1	PLUG	
8		E105-000000	1	PIPE, AIR	
9		363014-03210	1	PIPE (INNER)	
10		254210-03210	1	FILTER	
11		382011-01110	1	PIPE (9*13)	
12		V495-000310	2	BAND	
13		253010-08010	1	PLATE, TANK BOTTOM	
14		270119-06210	1	GASKET, SHUTTER	
15		357010-01110	1	NIPPLE, OUTLET	
16		357014-01110	1	O-RING	
17		357015-01110	1	NUT, HOLLOW	
18		363023-01110	1	CLIP	
19		357911-00111	1	CLIP, PIPE	
20		V471-003290	1	PIPE	
21		E022-000010	1	COCK, LIQUID	
22		V471-003300	1	PIPE	
23		212500-01112	1	NOZZLE ASM., MIST	
24	+	212515-01110	1	COLLAR, NOZZLE	



KEY	LV	PART NUMBER	Q'TY	DESCRIPTION	REMARKS
25	+	212514-01110	1	NUT, MISTING NOZZLE	
26	+	212513-01110	1	RING, MISTING NOZZLE	
27	+	222000-01110	1	NOZZLE	
28	+	212501-01111	1	HEAD, NOZZLE	BL
29	+	900246-05012	1	SCREW 5*12	
30		X602-000020	1	TOOL,WRENCH	
32		900286-05016	1	SCREW 5*16	SUS
33		V495-000310	4	BAND	
34		403226-13411	1	PLUG	
35		900725-01013	1	O-RING 1013	
36		V490-001120	1	CLIP	



KEY	LV	PART NUMBER	Q'TY	DESCRIPTION	REMARKS
		A021-003590	1	CARBURETOR,DIAPHRAGM	
3	+	123114-40630	2	SCREW	
4	+	P003-000180	1	BRACKET CABLE	
5	+	123172-45130	1	SWIVEL	
6	+	123149-54230	1	WASHER	
7	+	123173-07930	1	CLIP	
8	+	123143-12110	1	RING, PACKING	
9	+	123183-40630	1	O-RING	
10	+	P003-000990	1	JET	
11	+	123125-40630	1	GASKET, PUMP	
12	+	123112-40630	1	DIAPHRAGM, PUMP	
13	+	123179-05560	1	BODY ASSY, PUMP	
14	++	123126-10631	1	SCREEN, INLET	
15	++	123137-19830	1	VALVE, INLET NEEDLE	
16	++	123122-05560	1	SPRING, METER. LEVER	
17	++	123138-03930	1	PIN, METERING LEVER	
18	++	123123-03930	1	LEVER, METERING	
19	++	123139-05560	1	SCREW, M. LEVER PIN	
20	+	123140-05560	1	GASKET, M. DIAPHRAGM	
21	+	P003-001850	1	DIAPHRAGM, METERING	
22	+	123180-05560	1	BODY, AIR PURGE	
23	+	123181-40630	1	PUMP, PRIMER	
24	+	123142-05560	1	COVER, PRIMER PUMP	
25	+	123110-05560	4	SCREW, PUMP COVER	

Index

Parts Number	Key No.	Parts Number	Key No.	Parts Number	Key No.
100011-08360	1 - 12	159016-05330	3 - 14	300010-07311	5 - 1
100012-12330	1 - 15	159129-08261	1 - 25	300111-14010	5 - 5
100013-06210	1 - 13	177200-06210	3 - 26	300328-03210	5 - 10
100100-06210	1 - 30	177202-06210	3 - 20	300333-06160	5 - 6
100213-00310	1 - 23	177214-40630	3 - 28	305117-03360	3 - 38
100215-03930	1 - 19	177215-11120	3 - 29	305812-08260	6 - 19
100242-10721	1 - 22	177218-40630	3 - 24	357010-01110	8 - 15
101010-06211	1 - 10	177220-11120	3 - 33	357014-01110	8 - 16
101514-08260	1 - 8	177226-11120	3 - 30	357015-01110	8 - 17
123110-05560	9 - 25	177227-42030	3 - 31	357911-00111	8 - 19
123112-40630	9 - 12	177228-11120	3 - 32	363011-00210	8 - 6
123114-40630	9 - 3	177234-40630	3 - 23	363014-03210	8 - 9
123122-05560	9 - 16	177236-40630	3 - 27	363017-00310	8 - 5
123123-03930	9 - 18	178121-43230	6 - 25	363018-00310	8 - 3
123125-40630	9 - 11	178516-07560	6 - 20	363019-00310	8 - 2
123126-10631	9 - 14	200005-06210	3 - 6	363021-01110	8 - 7
123137-19830	9 - 15	200105-07712	4 - 15	363022-00510	8 - 4
123138-03930	9 - 17	200107-07717	4 - 35	363023-01110	8 - 18
123139-05560	9 - 19	200124-09860	4 - 16	382011-01110	8 - 11
123140-05560	9 - 20	200910-06210	5 - 2	403226-13411	8 - 34
123142-05560	9 - 24	200916-03210	5 - 3	433019-03933	6 - 21
123143-12110	9 - 8	210002-04111	7 - 3	890121-65830	2 - 21
123149-54230	9 - 6	210011-05510	7 - 12	890160-09461	7 - 20
123172-45130	9 - 5	210013-04111	7 - 9	890187-03710	2 - 35
123173-07930	9 - 7	210032-04110	7 - 8	900105-06020	3 - 43
123179-05560	9 - 13	210036-04110	7 - 10	900106-05030	2 - 19
123180-05560	9 - 22	210425-04110	4 - 6	900148-05035	3 - 7
123181-40630	9 - 23	212500-01112	8 - 23	900162-05022	1 - 5
123183-40630	9 - 9	212501-01111	8 - 28	900162-05040	1 - 20
130310-02910	2 - 32	212513-01110	8 - 26	900216-05016	5 - 9
130311-03710	2 - 33	212514-01110	8 - 25	900220-06014	2 - 9
130313-10720	2 - 34	212515-01110	8 - 24	900238-05018	1 - 26
130317-03710	2 - 31	222000-01110	8 - 27	900238-05018	3 - 9
130319-03710	2 - 30	250001-05610	7 - 15	900242-05010	1 - 7
131004-55530	2 - 4	250011-02011	7 - 17	900242-05014	3 - 44
131016-55830	2 - 6	250013-00310	7 - 16	900242-05014	7 - 13
131051-56030	2 - 5	250017-08013	7 - 18	900246-05012	8 - 29
131205-19831	2 - 40	250902-06310	7 - 26	900253-05020	6 - 22
132010-56030	2 - 41	250914-06210	7 - 25	900256-04016	6 - 2
132013-05060	2 - 42	250915-06310	7 - 27	900256-05010	7 - 2
132013-14010	8 - 1	250916-06210	5 - 4	900286-05016	4 - 13
132013-26630	2 - 39	250930-06210	7 - 28	900286-05016	4 - 17
132115-55930	2 - 37	250932-06210	7 - 29	900286-05016	8 - 32
145642-00760	2 - 11	253010-08010	8 - 13	900286-05025	4 - 4
151112-04630	1 - 27	254210-03210	8 - 10	900292-04018	3 - 35
156611-04260	3 - 12	270000-06311	7 - 22	900292-05014	4 - 18
156800-06161	3 - 8	270010-06211	4 - 9	900292-05014	4 - 39
159010-10230	3 - 15	270018-06210	4 - 10	900292-05020	4 - 37
159012-10230	3 - 13	270119-06210	8 - 14	900292-05025	1 - 28

Index

Parts Number	Key No.	Parts Number	Key No.	Parts Number	Key No.
900323-03014	1 - 33	P003-000990	9 - 10		
900333-70380	7 - 30	P003-001850	9 - 21		
900500-00005	6 - 4	P021-008630	3 - 42		
900500-00005	7 - 14	P021-010211	2 - 18		
900501-00010	3 - 3	P021-014090	6 - 1		
900502-00006	6 - 11	P021-014700	1 - 18		
900504-00005	4 - 14	P021-038090	2 - 28		
900560-00005	5 - 11	P021-038580	1 - 11		
900602-00010	3 - 5	V103-000000	2 - 17		
900604-00005	4 - 8	V103-001440	2 - 20		
900605-00006	2 - 10	V103-001490	1 - 9		
900605-00010	3 - 4	V104-001920	1 - 2		
900609-00005	4 - 7	V104-001940	3 - 41		
900700-00004	3 - 21	V152-002980	3 - 37		
900725-01013	8 - 35	V430-003660	6 - 15		
900810-36202	1 - 24	V452-000350	6 - 6		
91119-05030	6 - 3	V452-000360	6 - 8		
91148-05035	7 - 23	V471-000550	2 - 27		
91331-05060	2 - 13	V471-000770	2 - 38		
A021-003590	2 - 23	V471-003290	8 - 20		
A021-003590	9 -	V471-003300	8 - 22		
A130-000111	1 - 6	V485-000190	3 - 11		
A160-000450	1 - 3	V490-001120	7 - 32		
A190-001120	4 - 38	V490-001120	8 - 36		
A190-001130	4 - 36	V491-000191	7 - 31		
A244-000020	2 - 29	V494-000080	6 - 16		
A350-001910	2 - 8	V495-000310	8 - 12		
A356-000030	2 - 43	V495-000310	8 - 33		
A415-000010	3 - 10	V495-000430	7 - 7		
A440-001930	6 - 9	V495-000440	7 - 11		
C061-000410	5 - 7	V580-000010	1 - 14		
C061-000420	5 - 8	X502-000410	3 - 36		
C405-000250	6 - 17	X502-000440	7 - 19		
C405-000260	6 - 18	X503-010950	7 - 21		
C450-000270	6 - 7	X505-002310	4 - 24		
C460-000111	6 - 5	X524-003900	7 - 1		
C463-000020	6 - 10	X602-000020	8 - 30		
C472-000110	6 - 23				
C646-000110	5 - 12				
E022-000010	8 - 21				
E105-000000	8 - 8				
E109-000050	4 - 11				
E109-000060	4 - 12				
E115-000060	7 - 24				
E165-000570	7 - 4				
E165-000580	7 - 6				
E1650-00591	7 - 5				
E281-000000	6 - 24				
P003-000180	9 - 4				

YAMABIKO CORPORATION

7-2 SUEHIROCHO 1-CHOME, OHME, TOKYO 198-8760, JAPAN
PHONE: 81-428-32-6118. FAX: 81-428-32-6145.

