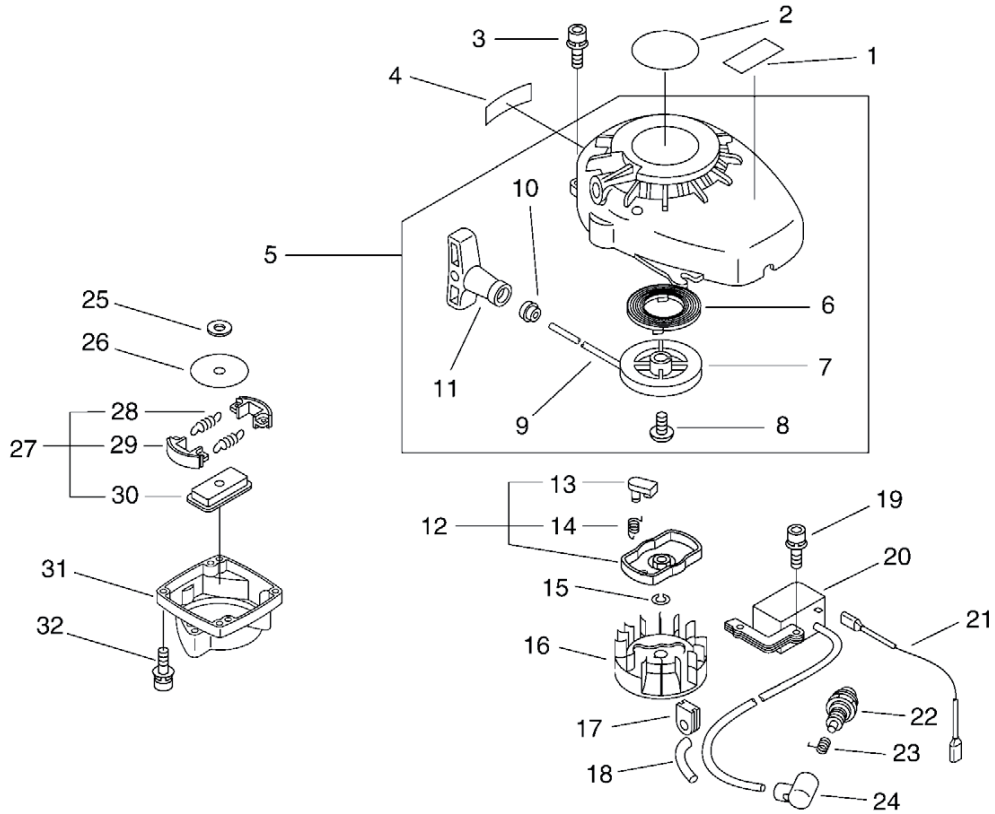


ECHO®



HCR-1510

No.2



Parts List

Date:25.11.2008 Page: 1

Group:Hedge Trimmers Model:HCR-1510 Section:Starter, Magneto, Clutch

Key	Lv	Part Number	Q'ty	Description	Remarks	Note
1		890617-07660	1	LABEL, CAUTION		
2		X547-000110	1	LABEL,ECHO		
3		900162-04016	4	BOLT, H.S. 4*16		
4		890123-13360	1	LABEL, CAUTION		
5		177200-05363	1	STARTER ASSEMBLY		
6 +		177220-42030	1	SPRING, REWIND		
7 +		177215-44430	1	DRUM, STARTER		
8 +		177236-44330	1	SCREW		
9 +		177226-05530	1	ROPE, STARTER		
10 +		177227-42030	1	GUIDE, ROPE		
11 +		177228-06530	1	GRIP, STARTER		
21		177202-44331	1	PAWL ASM., STARTER		
13 +		177218-44330	1	PAWL, STARTER		
14 +		177234-42030	1	SPRING, RETURN		
15		900605-00008	1	WASHER, SPRING 8		
16		A409-000150	1	ROTOR,MAGNETO		
17		156110-04920	1	BUSHING		
18		V475-002200	1	TUBE		
19		900162-04020	2	BOLT, H.S. 4*20		
20		A411-000171	1	COIL,IGNITION		
21		V485-000610	1	LEAD		
22		159010-10230	1	PLUG, SPARK (BPMR-7A		
23		159011-03432	1	COIL, SPARK PLUG		
24		159012-03433	1	CAP, SPARK PLUG		
25		175014-05360	1	WASHER, CLUTCH		
26		175019-04920	1	PLATE, CLUTCH		
27		175000-06560	1	CLUTCH ASSY		
28 +		175018-05960	2	SPRING, CLUTCH		

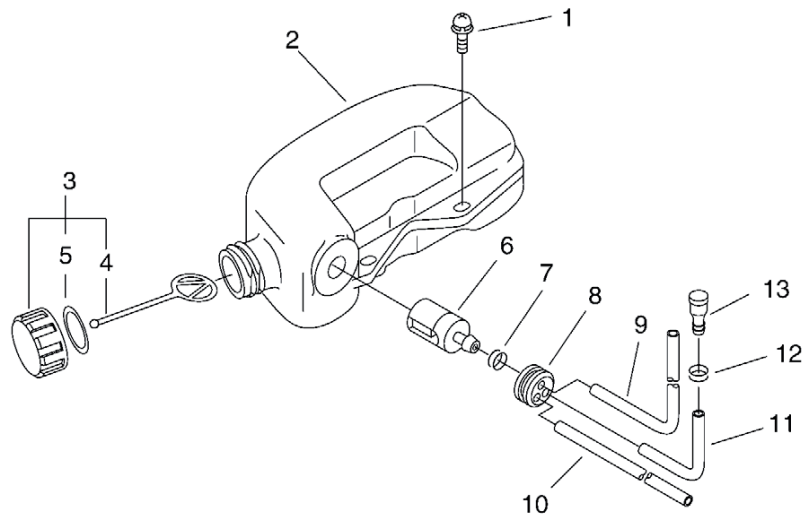
Parts List

Group:Hedge Trimmers Model:HCR-1510 Section:Air Cleaner, Muffler

Key	Lv	Part Number	Q'ty	Description	Remarks	Note
1		900105-05070	2	BOLT, H.S. 5*70		
2		900600-00005	2	WASHER 5		
3		V150-000371	1	PLATE,EYE		
4		A300-000600	1	MUFFLER, EXHAUST		
5		91107-04008	1	BOLT HSH FLANGE		
6		V104-000410	1	GASKET,EXHAUST		
7		A313-000740	1	GUIDE, EXHAUST		
8		A313-000750	1	GUIDE, EXHAUST		
9		900242-04010	2	SCREW 4*10		
10		130010-42032	1	GASKET,INTAKE		
11		900500-00005	2	NUT 5		
12		130017-42031	1	INSULATOR, INTAKE		
13		900238-05020	2	SCREW 5*20		
14		130016-42031	1	GASKET, INTAKE		
15		125200-13125	1	CARBURETOR		
16		130301-51730	1	CASE, AIR CLEANER		
17 +		178810-05230	1	GROMMET		
18		178510-51730	1	ROD, CHOKE		
19		178516-00830	1	SPACER		
20		178515-05060	1	SHUTTER, CHOKE		
21		129011-52131	1	PLATE		
22		900242-05057	2	SCREW 5*57		
23		130310-51830	1	FILTER, AIR		
24		A232-000041	1	LID,CLEANER		
25		V141-000010	1	GROMMET,PLUG		
26		X506-000070	1	LABEL,CHOKE		
27		130406-52131	1	KNOB, FASTENER		

Group:Hedge Trimmers Model:HCR-1510 Section:Fuel Tank

No.4



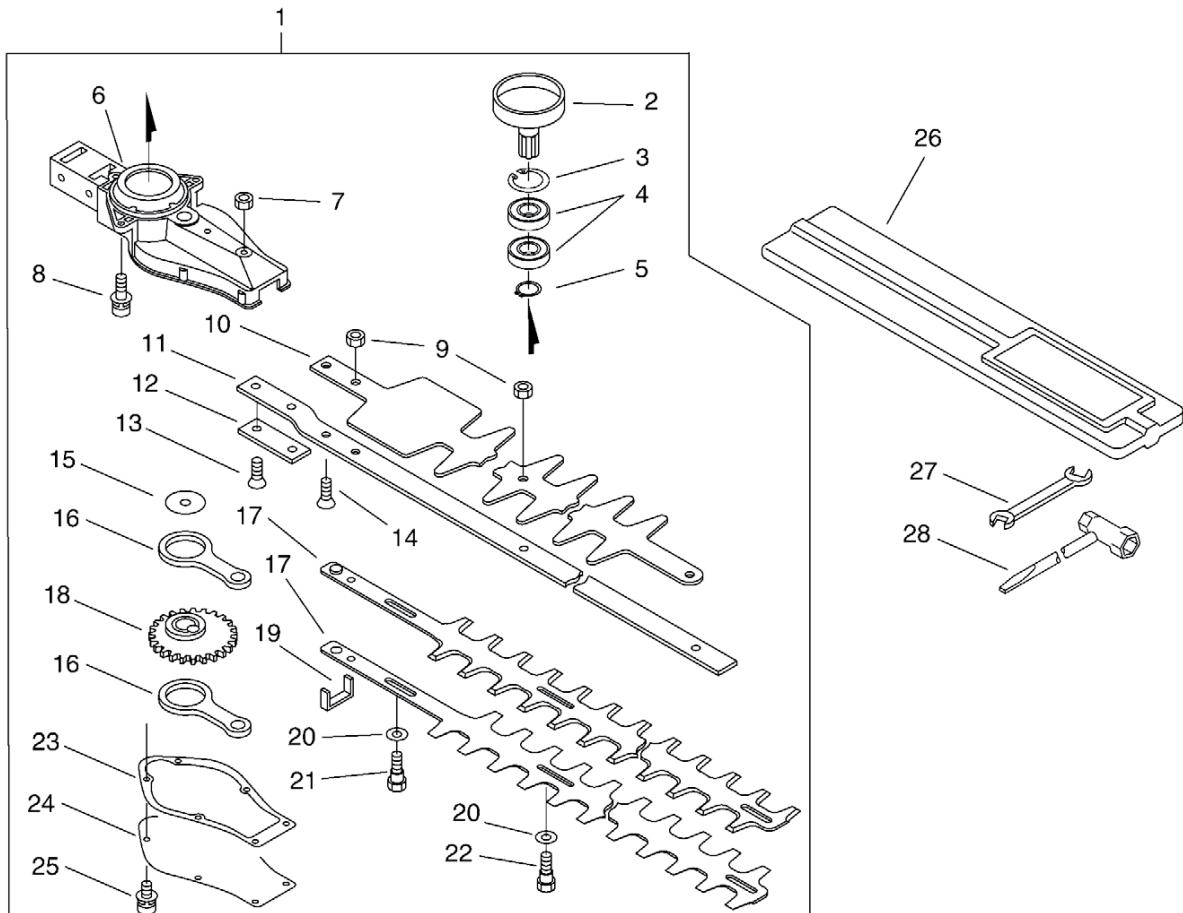
Parts List

Group:Hedge Trimmers Model:HCR-1510 Section:Handle

Key	Lv	Part Number	Q'ty	Description	Remarks	Note
1		900502-00006	2	NUT 6 (3N)		
2		900600-00006	2	WASHER 6		
3		178001-13360	1	CABLE, THROTTLE		
4		V475-003620	2	TUBE		
5		351101-13360	1	HANDLE SET, REAR		
6 +		351313-13361	1	BRACKET, HANDLE		
7 +		178302-13360	1	LATCH ASY		
8 +		900256-04016	5	SCREW 4*16		
9		178129-13361	1	WASHER		
10		689025-13361	1	WASHER, CIRCULAR		
11		351308-13360	1	FIXTURE, HANDLE		
12 +		900220-05045	2	SCREW 5*45		
13 +		351312-13361	1	BRACKET, HANDLE		
14		900600-00005	4	WASHER 5		
15		900560-00005	3	NUT, LOCK 5		
16		178043-13360	2	SPRING		
17		605611-13360	2	PIN		
18		890157-39130	1	LABEL, SWITCH		
19		900238-05030	2	SCREW 5*30		
20		178013-13660	1	SPRING, TORSION		
21		178010-13361	1	TRIGGER, THROTTLE		
22		178012-13360	1	LOCKOUT, THROTTLE		
23		351648-13360	1	STOPPER, HANDLE		
24		178043-13660	1	SPRING, TORSION		
25		163400-13360	1	SWITCH, ON OFF		
26		351611-05360	1	WASHER		
27		351610-05360	1	HANDLE, FRONT		
28		X502-000260	1	LABEL, ECHO		

Group:Hedge Trimmers Model:HCR-1510 Section:Gear Case, Cutter, Tools

No.6



Parts List

Group:Hedge Trimmers Model:HCR-1510 Section:Gear Case, Cutter, Tools

Key	Lv	Part Number	Q'ty	Description	Remarks	Note
1		P021-009620	1	CASE,GEAR ASY		
2	+	A556-000380	1	DRUM, CLUTCH		
3	+	900702-00035	1	CIRCLIP 35		
4	+	900804-06003	2	BEARING, BALL 6003		
5	+	900701-00016	1	CIRCLIP 16		
6	+	P021-009610	1	CASE,GEAR		
7	+	900500-00006	2	NUT 6		
8	+	900162-05020	3	BOLT, H.S. 5*20		
9	+	433022-06460	4	NUT		
10	+	699125-06560	1	BLUNT		
11	+	699110-06960	1	BAR, FRAME		
12	+	610440-04560	1	HOLDER, FRAME		
13	+	900212-06025	2	SCREW 6*25		
14	+	900212-05030	1	SCREW (5*30*P0.8)		
15	+	610350-04560	1	WASHER		
16	+	C532-000130	2	ROD, CONNECTING		
17	+	X411-000280	2	CUTTER		
18	+	V650-000260	1	GEAR, SPUR		
19	+	610425-04560	1	SEAL		
20	+	699118-04560	4	WASHER		
21	+	699115-05360	1	BOLT		
22	+	699115-04660	3	BOLT 6		
23	+	610414-05360	1	GASKET, GEAR HOUSING		
24	+	610411-05361	1	LID, GEARCASE		
25	+	900162-04010	6	BOLT, H.S. 4*10		
26	+	X495-000051	1	SCABBARD, BLADE		
27	+	895112-00330	1	SPANNER 8*10		
28	+	895410-00430	1	WRENCH, W/S. DRIVER		

Group:Hedge Trimmers Model:HCR-1510 Section:Carburetor

No.7

