



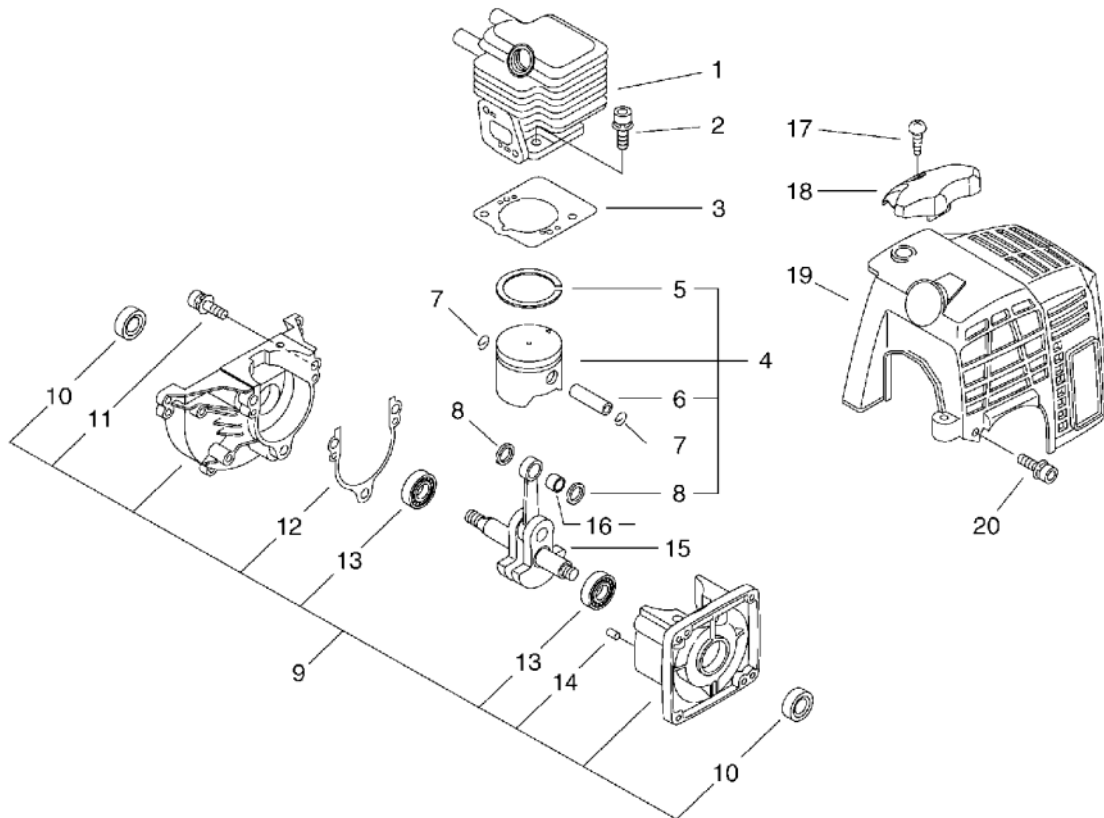
# **PARTS CATALOGUE**

## **GRASS-TRIMMER / BRUSHCUTTER**

### **GT-220ES(36)**

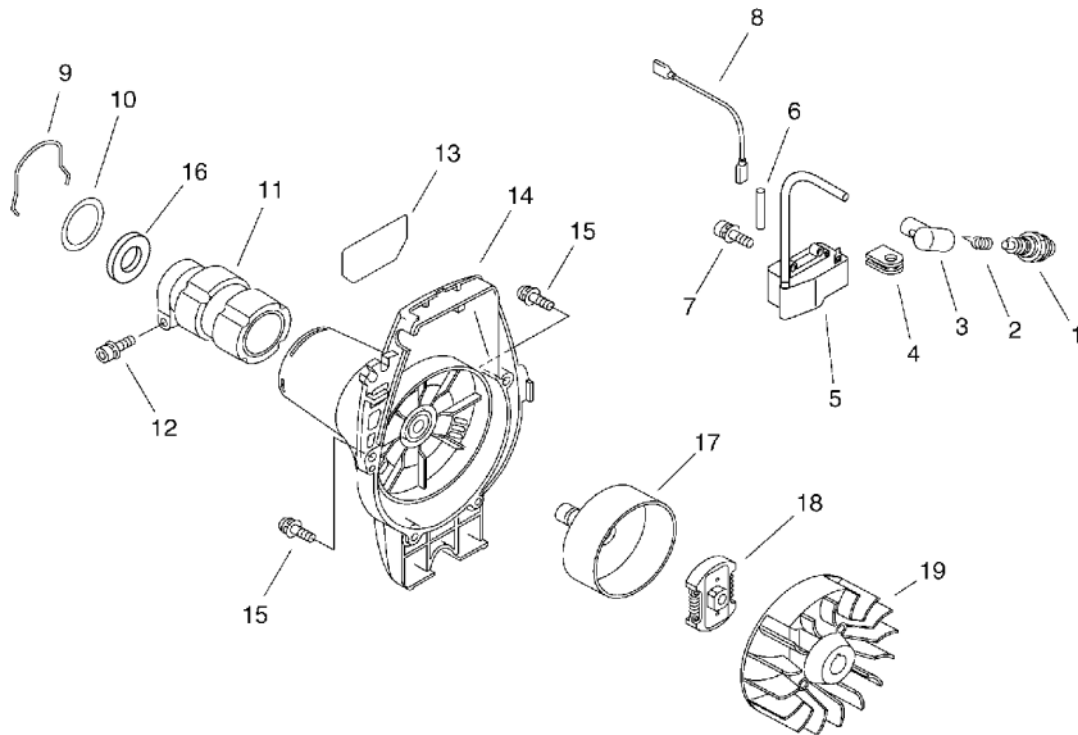
- 36001930

# 1. Cylinder, Crankcase, Piston



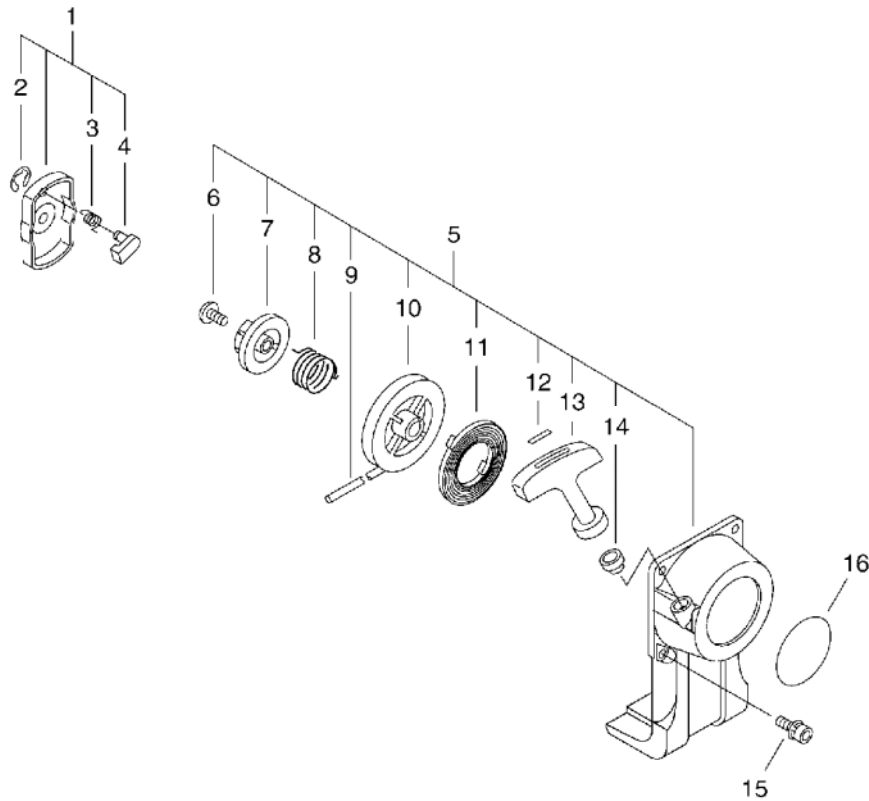
KEY	LV	PART NUMBER	Q'TY	DESCRIPTION	REMARKS	NOTE1	NOTE2
1		A130-000540	1	CYLINDER			
2		900162-05022	2	BOLT, H.S. 5*22	5*22 W,SW		
3		V100-000160	1	GASKET, CYL			
4		P021-007712	1	PISTON KIT			
5	+	A101-000090	1	RING, PISTON			
6	+	100013-11520	1	PIN, PISTON			
7	+	100015-04630	2	CIRCLIP, PISTON PIN			
8	+	100014-11520	2	SPACER, PISTON PIN			
9		100204-52132	1	CRANKCASE KIT			
10	+	100212-42031	2	OILSEAL	ISCD 12*22*4.5		
11	+	900162-05028	3	BOLT, H.S. 5*28	5*28 W,SW		
12	+	100242-42030	1	GASKET, CRANKCASE			
13	+	94035-36201	2	BEARING BALL	6201X3JR2C3		
14	+	100215-03930	2	PIN, DOWEL			
15		A011-000101	1	CRANKSHAFT, ASM			
16	+	V553-000010	1	BEARING, NEEDLE 8	HK0810		
17		900253-05020	1	SCREW 5*20	5*20		
18		A162-000130	1	GUARD, TOP			
19		A160-000890	1	COVER, CYLINDER			
20		V202-000090	2	BOLT, 4	4*16		

## 2. Magneto, Clutch, Fan Cover



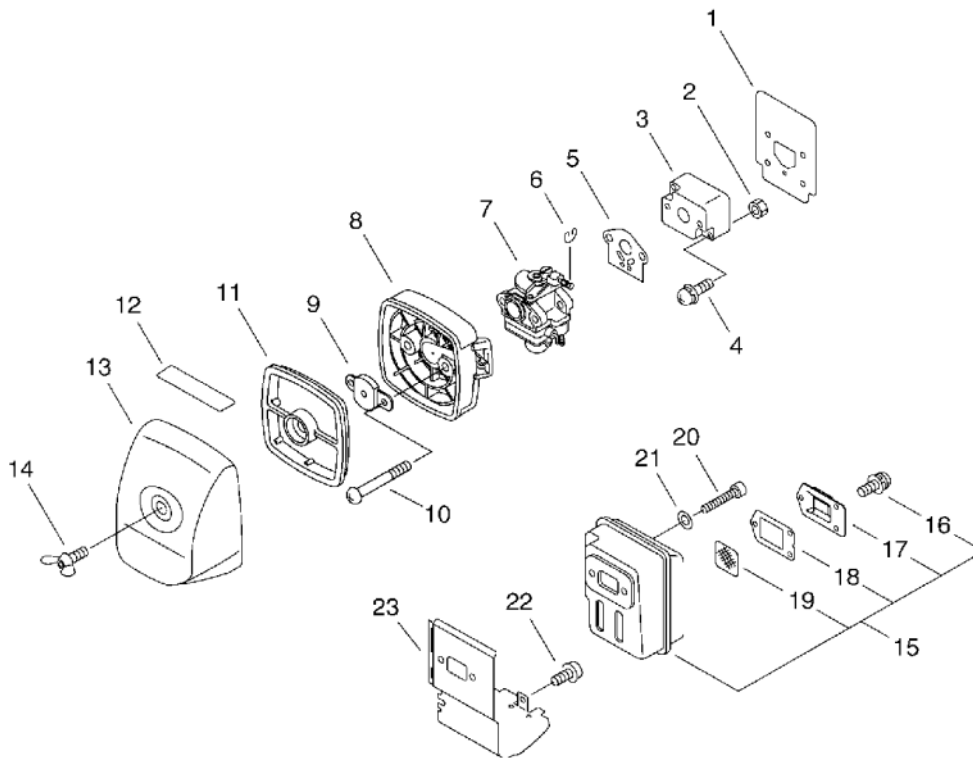
KEY	LV	PART NUMBER	Q'TY	DESCRIPTION	REMARKS	NOTE1	NOTE2
1		A425-000000	1	SPARKPLUG	BPMR8Y		
2		159011-03432	1	COIL, SPARK PLUG			
3		159012-03433	1	CAP, SPARK PLUG			
4		156112-40630	1	GROMMET			
5		A411-000140	1	COIL,IGNITION			
6		156110-54930	1	TUBE	7*8.6*18.5	Sus. by V475-003960	
6		V475-003960	1	TUBE			
7		900162-04020	2	BOLT, H.S. 4*20	4*20 W,SW		
8		162010-52830	1	LEAD, GROUND			
9		660316-55630	1	CLIP			
10		V315-000030	1	WASHER,CIRCULAR 30	33.5*41.0*T0.5		
11		610922-55931	1	HOLDER, MAIN PIPE			
12		91118-05028	1	BOLT	CM-5*28		
13		X547-000540	1	LABEL,ECHO	GT-220ES		
14		A172-000320	1	COVER,FAN			
15		91363-04016	4	SCREW	SMB-4*16/W,SW		
16		175313-20430	1	RING, FELT			
17		175005-44331	1	DRUM, CLUTCH			
18		175000-56830	1	CLUTCH ASSY		Sus. by 175000-56831	
18		175000-56831	1	CLUTCH ASSEMBLY			
19		A409-000210	1	ROTOR,MAGNETO			

### 3. Starter



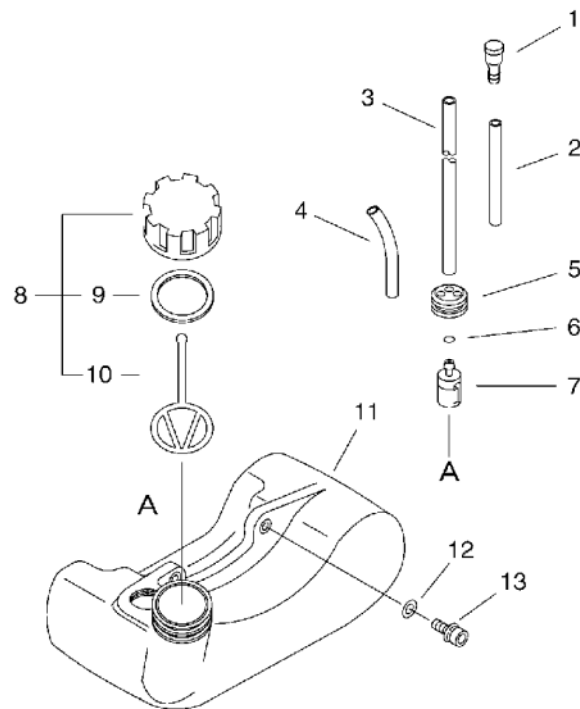
KEY	LV	PART NUMBER	Q'TY	DESCRIPTION	REMARKS	NOTE1	NOTE2
1		A052-000180	1	PULLEY,ASM STARTER			
2	+	P022-002100	2	E-RING	4		
3	+	P022-006510	2	SPRING, RETURN			
4	+	P022-006850	2	PAWL, STARTER			
5		A051-000680	1	STARTER,RECOIL			
6	+	177236-61830	1	SCREW			
7	+	P022-008280	1	PLATE, CAM			
8	+	P022-008270	1	SPRING,DAMPER			
9	+	P022-008260	1	ROPE	3M/M		
10	+	P022-006830	1	DRUM			
11	+	177220-42030	1	SPRING, REWIND			
12	+	177246-11120	1	CLIP, STARTER ROPE			
13	+	177228-27030	1	GRIP, STARTER			
14	+	177227-42030	1	GUIDE, ROPE			
15		V202-000090	2	BOLT,4	4*16		
16		X502-000330	1	LABEL,ECHO	ECHO		

## 4. Air Cleaner, Carburetor, Muffler



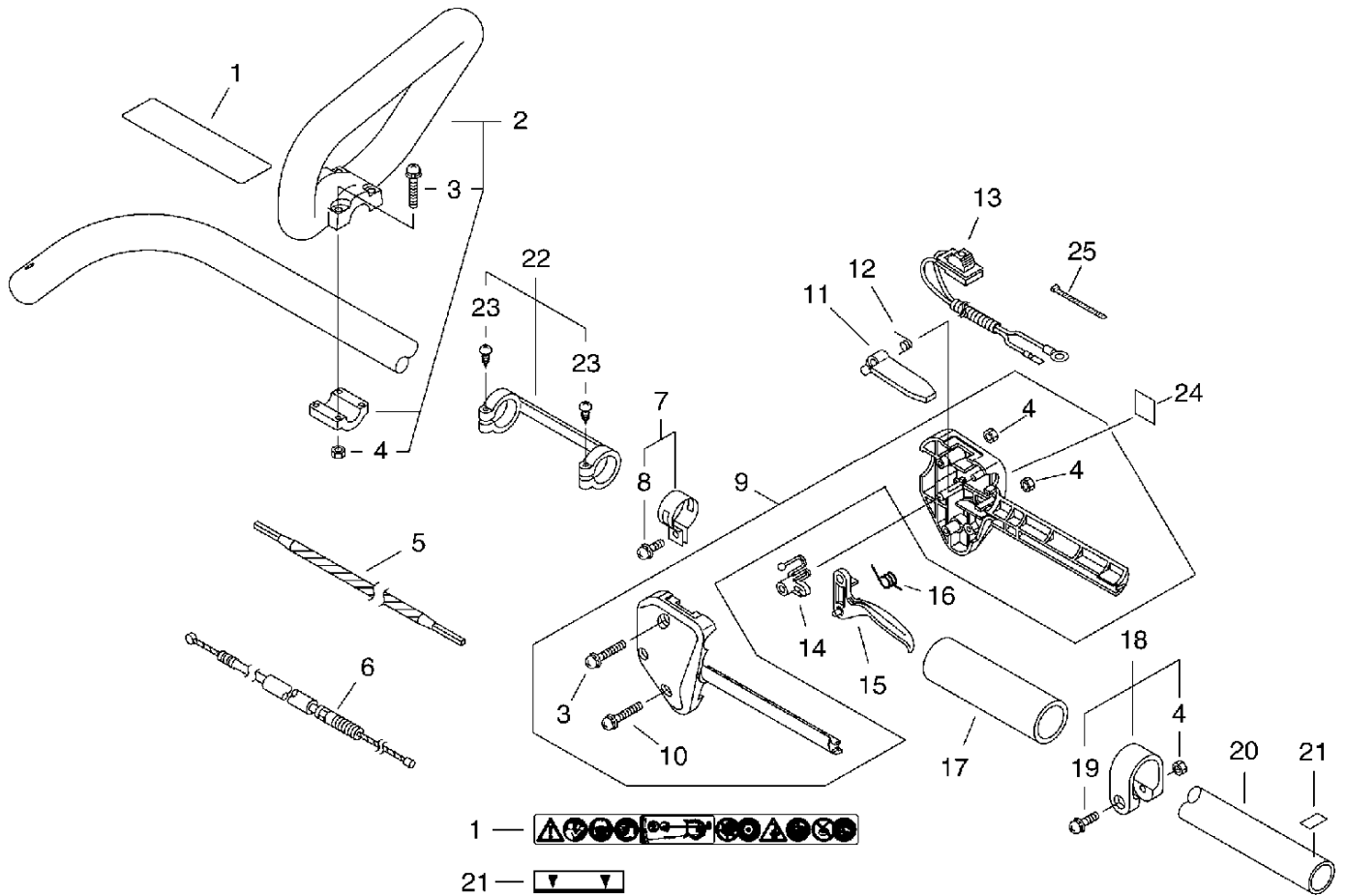
KEY	LV	PART NUMBER	Q'TY	DESCRIPTION	REMARKS	NOTE1	NOTE2
1		130010-42032	1	GASKET,INTAKE			
2		900500-00005	2	NUT 5	5		
3		130017-44330	1	INSULATOR			
4		900238-05020	2	SCREW 5*20	5*20		
5		130010-13410	1	GASKET, INTAKE			
6		100015-00120	1	CIRCLIP, PISTON PIN			
7		A021-001460	1	CARBURETOR,DIAPHRAGM	RB-K87		
8		P021-004480	1	CASE, AIR CLEANER			
9		129011-52730	1	PLATE, PREVENT			
10		900220-05065	2	SCREW 5*65	5*65		
11		130310-54130	1	FILTER, AIR			
12		890332-52730	1	LABEL, CHOKE			
13		130313-05863	1	LID, AIR CLEANER			
14		210417-52730	1	BOLT, WING	5*20		
15		P021-007420	1	MUFFLER ASY			
16	+	900242-04010	3	SCREW 4*10	4*10		
17	+	A313-000580	1	GUIDE,EXH			
18	+	145866-42031	1	GASKET, MUFFLER LID			
19	+	145862-40630	1	SCREEN, MUFFLER			
20		900105-05055	2	BOLT, H.S. 5*55	5*55		
21		900600-00005	2	WASHER 5	5		
22		91121-04008	1	BOLT, FLANGE	M4*8 10.9		
23		V104-000500	1	GASKET,EXHAUST			

## 5. Fuel Tank



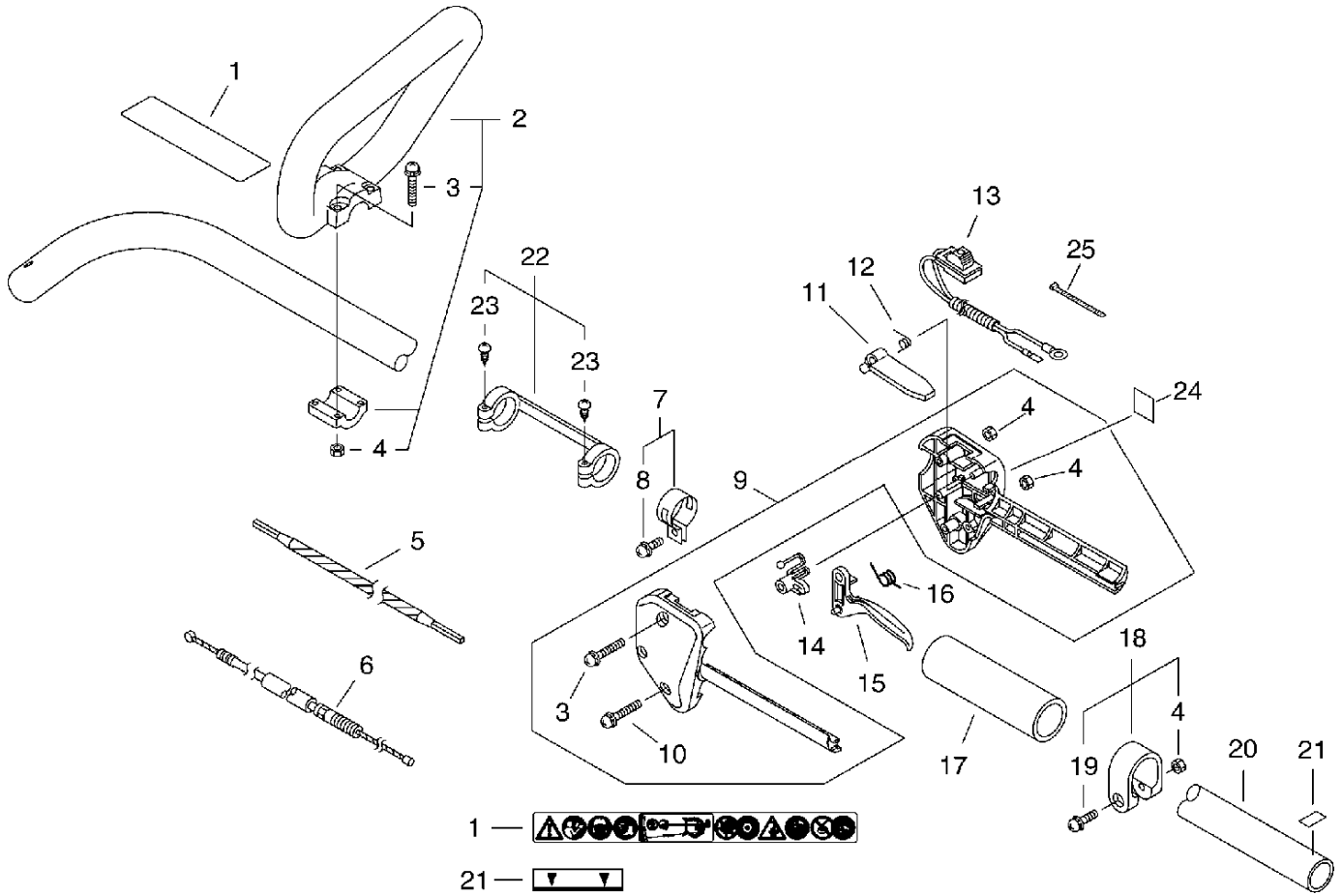
KEY	LV	PART NUMBER	Q'TY	DESCRIPTION	REMARKS	NOTE1	NOTE2
1		A356-000030	1	VALVE,CHECK			
2		V471-001200	1	PIPE	3*5*70 NBR		
3		V471-001190	1	PIPE	3*5*180 NBR		
4		132012-56030	1	PIPE	3*6*80 YL		
5		132115-46730	1	GROMMET, FUEL			
6		132013-09820	1	CLIP	6MM		
7		131205-07320	1	STRAINER, FUEL			
8		P021-012210	1	CAP,FUEL ASY			
9	+	131016-55830	1	GASKET, FUEL CAP			
10	+	A365-000060	1	CONNECTOR,CAP	L=123		
11		A350-000480	1	TANK, FUEL			
12		900603-00005	2	WASHER 5	5.5*12*0.8		
13		91118-05020	2	BOLT	CM-5*20		

## 6. Handle



KEY	LV	PART NUMBER	Q'TY	DESCRIPTION	REMARKS	NOTE1	NOTE2
1		X505-000140	1	LABEL,CAUTION			
2		351201-40830	1	HANDLE ASSY, LOOP			
3	+	900242-05035	4	SCREW 5*35	5*35		
4	+	900500-00005	4	NUT 5	5		
5		C506-000090	1	SHAFT, FLEXIBLE	L:1330 3251-096A		
6		V430-001880	1	CABLE,BOWDEN	320+71		
7		301200-29430	1	BAND ASSY			
8	+	900242-05014	1	SCREW 5*14	5*14		
9		178003-52130	1	BRACKET SET,THROTTLE			
3	+	900242-05035	1	SCREW 5*35	5*35		
4	+	900500-00005	2	NUT 5	5		
10	+	900242-05025	1	SCREW 5*25	5*25		
11		178090-52632	1	LOCKOUT, T. CONTROL			
12		178013-52630	1	SPRING, THR. LOCK			
13		A440-000831	1	SWITCH, ON OFF			
14		178012-52630	1	LOCKOUT, THROTTLE			
15		178010-52130	1	CONTROL, THROTTLE			
16		178043-42230	1	SPRING, THR. RETURN			
17		C403-000140	1	GRIP, HANDLE	L129.5*28		
18		610272-52130	1	BAND			
4	+	900500-00005	1	NUT 5	5		
19	+	900242-05028	1	SCREW 5*28	5*28		
20		C050-000470	1	PIPE,MAIN			
21		890152-04930	1	LABEL, CAUTION			
22		610281-54130	1	COLLER			

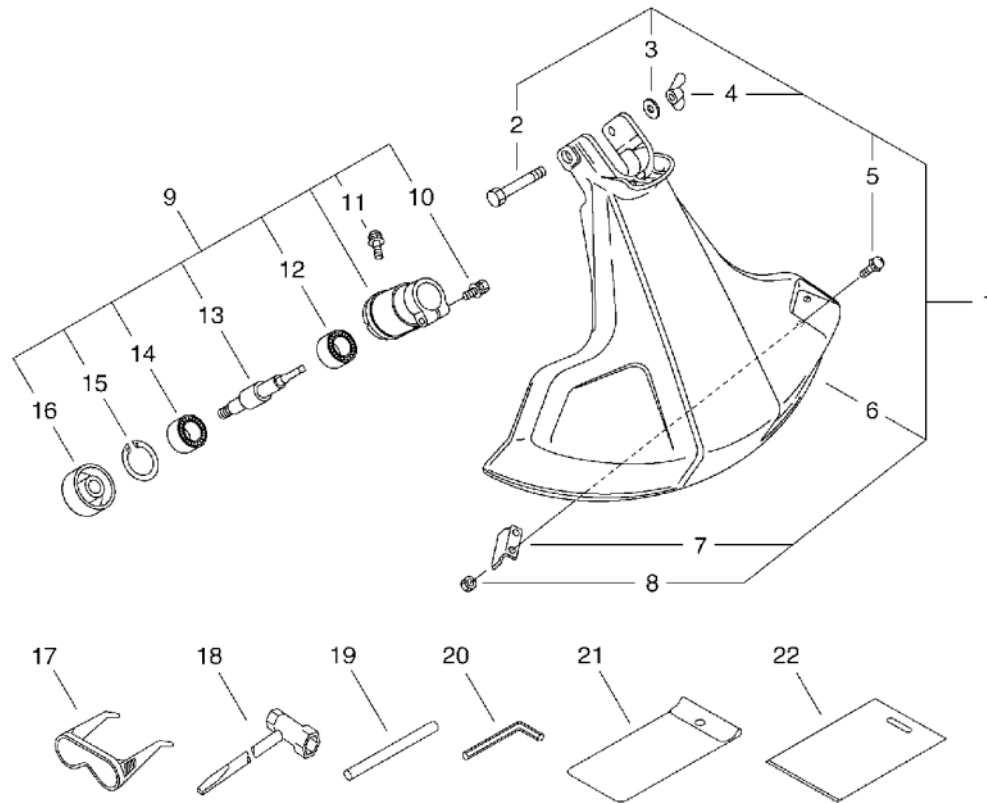
6. Handle



KEY	LV	PART NUMBER	Q'TY	DESCRIPTION	REMARKS	NOTE1	NOTE2
23	+	900253-04025	2	SCREW 4*25	4*25		
24		890157-39130	1	LABEL, SWITCH			
25		178121-08550	1	BAND	CV-100		

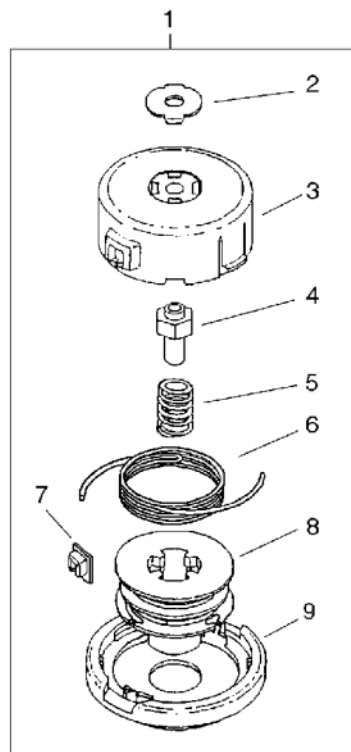


## 7. Gear Case, Shield, Tools



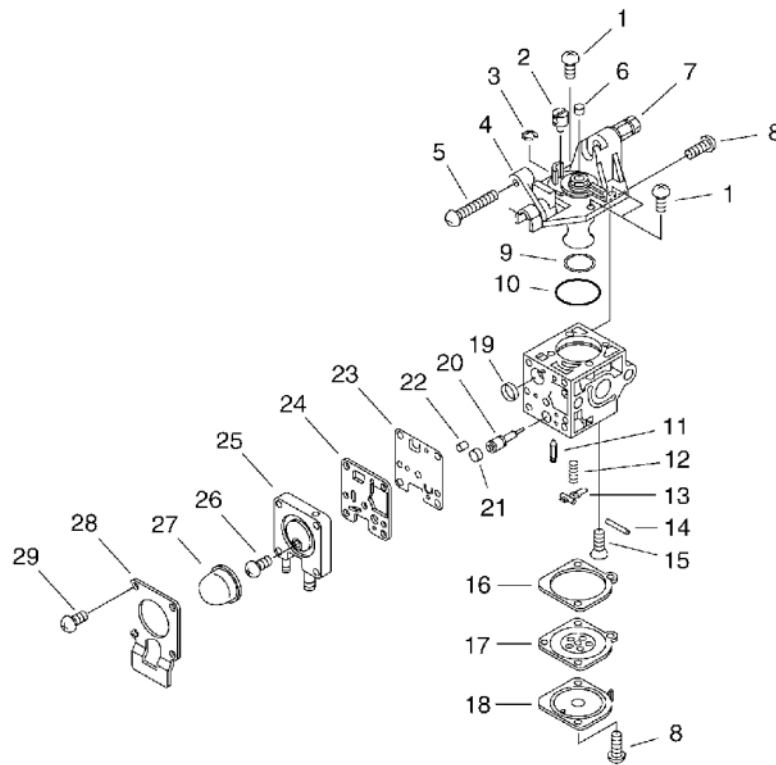
KEY	LV	PART NUMBER	Q'TY	DESCRIPTION	REMARKS	NOTE1	NOTE2
1		P021-009552	1	SHIELD KIT			
2	+	900017-08064	1	BOLT 1/4-20*2A	1/4-20*2A		
3	+	910300-27700	1	WASHER,CIRCULAR 6			
4	+	900033-00008	1	NUT, WING 1/4-20	1/4-20		
5	+	900238-05012	2	SCREW 5*12	5*12		
6	+	699010-44330	1	SHIELD (INCH)			
7	+	C554-000021	1	KNIFE, CORD			
8	+	900500-00005	2	NUT 5	5		
9		P021-009461	1	CASE,ASM BEARING			
10	+	91118-05025	1	BOLT	CM-5*25		
11	+	900242-04010	1	SCREW 4*10	4*10		
12	+	900810-06200	1	BEARING, BALL 6200	6200		
13	+	610310-52430	1	SHAFT, P.T.O.			
14	+	900811-06200	1	BEARING, BALL 6200	6200DU(LU)		
15	+	900702-00030	1	CIRCLIP 30	CR-30		
16	+	C535-000340	1	FIXTURE, BLADE	3/8-24UNF		
17		P021-002861	1	GOGGLES			
18		895410-02830	1	WRENCH, W/S. DRIVER			
19		897518-01131	1	LOCKING TOOL			
20		895610-00130	1	L-WRENCH (4MM)			
21		898510-39130	1	BAG, TOOL			
22		X698-000040	1	TOOL,CASE	400*500		

## 8. Nylon Line Head



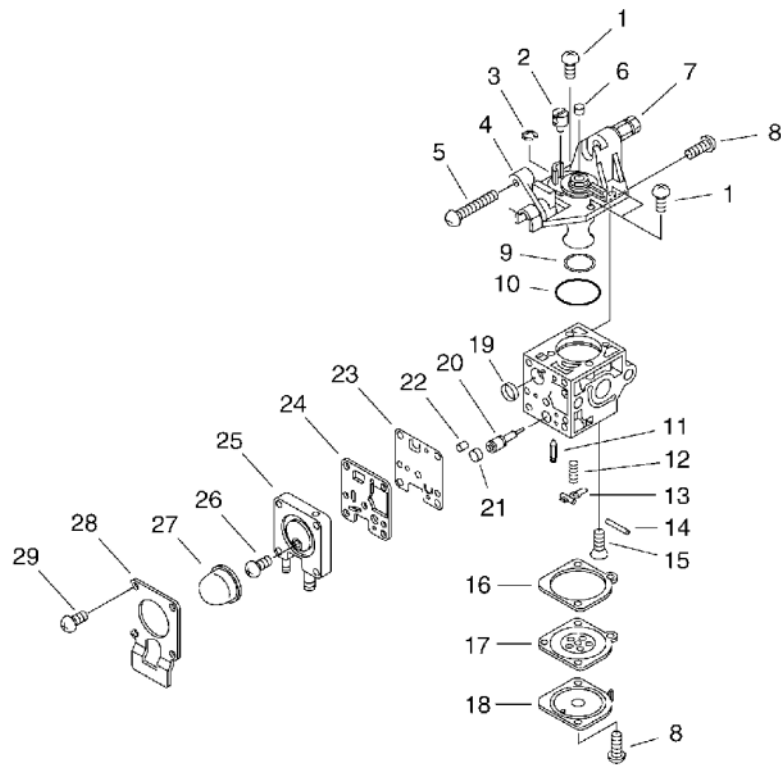
KEY	LV	PART NUMBER	Q'TY	DESCRIPTION	REMARKS	NOTE1	NOTE2
1		X047-000380	1	CUTTER,ASM LINE	B4-R		
2	+	P022-000670	1	TOP PLATE	T4		
3	+	P022-010740	1	HOUSING			
4	+	P022-010730	1	NUT			
5	+	P022-000720	1	SPRING	T4		
6	+	P022-006190	1	NYLON CODE	3.0*2M		
7	+	P022-000710	2	EYELET	T4		
8	+	P022-000700	1	BOBBIN	T4		
9	+	P022-010720	1	COVER			

## 9. Carburetor



KEY	LV	PART NUMBER	Q'TY	DESCRIPTION	REMARKS	NOTE1	NOTE2
		A021-001460	1	CARBURETOR,DIAPHRAGM	RB-K87		
1	+	125344-13931	3	SCREW			
2	+	P005-001240	1	POST			
3	+	P005-000190	1	E-RING			
4	+	P005-001320	1	COVER ASY, ROTOR			
5	+	P005-000100	1	SCREW,THROTTLEADJUST			
6	+	P005-001270	1	PLUG, H AJUST SCREW			
7	+	C486-000000	1	CABLE, ADJUSTER			
8	+	125344-52130	3	SCREW			
9	+	P005-001000	1	ROLLER, GUIDE			
10	+	P005-000280	1	O-RING			
11	+	125337-08260	1	VALVE, INLET NEEDLE			
12	+	P005-000940	1	SPRING, METER. LEVER			
13	+	125323-08260	1	ARM, VALVE			
14	+	125338-13930	1	PIN, METERING ARM			
15	+	125339-42030	1	SCREW			
16	+	P005-000200	1	GASKET, METERING			
17	+	P005-001780	1	DIAPHRAGM			
18	+	125342-52130	1	COVER, DIAPHRAGM			
19	+	P005-000010	1	STRAINER			
20	+	P005-001260	1	SCREW,MAINN MIXTURE			
21	+	P005-001270	1	PLUG, H AJUST SCREW			
22	+	P005-001250	1	RETAINER,PLUG BALL			
23	+	P005-000510	1	DIAPHRAGM, PUMP			
24	+	P005-000520	1	GASKET, PUMP			

## 9. Carburetor



KEY	LV	PART NUMBER	Q'TY	DESCRIPTION	REMARKS	NOTE1	NOTE2
25	+	P05-000930	1	BASE, ASY PRIMER		Sus. by P05-001890	
25	+	P05-001890	1	BASE, ASY PRIMER			
26	+	P05-000270	1	SCREW			
27	+	125381-46730	1	PUMP, PRIMING			
28	+	P05-000250	1	RETAINER			
29	+	P05-001900	4	SCREW			

## 10. Repair Kit

KEY	LV	PART NUMBER	Q'TY	DESCRIPTION	REMARKS	NOTE1	NOTE2
		P005-001660	1	DIAPHRAGM/GASKET KIT			
9-16	+	P005-000200	1	GASKET, METERING			
9-17	+	P005-001780	1	DIAPHRAGM			
9-23	+	P005-000510	1	DIAPHRAGM, PUMP			
9-24	+	P005-000520	1	GASKET, PUMP			
		P005-001670	1	REBUILD KIT			
9-9	+	P005-001000	1	ROLLER, GUIDE			
9-11	+	125337-08260	1	VALVE, INLET NEEDLE			
9-13	+	125323-08260	1	ARM, VALVE			
9-14	+	125338-13930	1	PIN, METERING ARM			
9-16	+	P005-000200	1	GASKET, METERING			
9-17	+	P005-001780	1	DIAPHRAGM			
9-19	+	P005-000010	1	STRAINER			
9-20	+	P005-000940	1	SPRING, METER. LEVER			
9-23	+	P005-000510	1	DIAPHRAGM, PUMP			
9-24	+	P005-000520	1	GASKET, PUMP			

**Index**

<b>Patrs Number</b>	<b>Key No.</b>	<b>Patrs Number</b>	<b>Key No.</b>	<b>Patrs Number</b>	<b>Key No.</b>
100013-11520	1 - 6	178013-52630	6 - 12	91118-05020	5 - 13
100014-11520	1 - 8	178043-42230	6 - 16	91118-05025	7 - 10
100015-00120	4 - 6	178090-52632	6 - 11	91118-05028	2 - 12
100015-04630	1 - 7	178121-08550	6 - 25	91121-04008	4 - 22
100204-52132	1 - 9	210417-52730	4 - 14	91363-04016	2 - 15
100212-42031	1 - 10	301200-29430	6 - 7	94035-36201	1 - 13
100215-03930	1 - 14	351201-40830	6 - 2	A011-000101	1 - 15
100242-42030	1 - 12	610272-52130	6 - 18	A021-001460	4 - 7
125323-08260	10 - 9-13	610281-54130	6 - 22	A021-001460	9 -
125323-08260	9 - 13	610310-52430	7 - 13	A051-000680	3 - 5
125337-08260	10 - 9-11	610922-55931	2 - 11	A052-000180	3 - 1
125337-08260	9 - 11	660316-55630	2 - 9	A101-000090	1 - 5
125338-13930	10 - 9-14	699010-44330	7 - 6	A130-000540	1 - 1
125338-13930	9 - 14	890152-04930	6 - 21	A160-000890	1 - 19
125339-42030	9 - 15	890157-39130	6 - 24	A162-000130	1 - 18
125342-52130	9 - 18	890332-52730	4 - 12	A172-000320	2 - 14
125344-13931	9 - 1	895410-02830	7 - 18	A313-000580	4 - 17
125344-52130	9 - 8	895610-00130	7 - 20	A350-000480	5 - 11
125381-46730	9 - 27	897518-01131	7 - 19	A356-000030	5 - 1
129011-52730	4 - 9	898510-39130	7 - 21	A365-000060	5 - 10
130010-13410	4 - 5	900017-08064	7 - 2	A409-000210	2 - 19
130010-42032	4 - 1	900033-00008	7 - 4	A411-000140	2 - 5
130017-44330	4 - 3	900105-05055	4 - 20	A425-000000	2 - 1
130310-54130	4 - 11	900162-04020	2 - 7	A440-000831	6 - 13
130313-05863	4 - 13	900162-05022	1 - 2	C050-000470	6 - 20
131016-55830	5 - 9	900162-05028	1 - 11	C403-000140	6 - 17
131205-07320	5 - 7	900220-05065	4 - 10	C486-000000	9 - 7
132012-56030	5 - 4	900238-05012	7 - 5	C506-000090	6 - 5
132013-09820	5 - 6	900238-05020	4 - 4	C535-000340	7 - 16
132115-46730	5 - 5	900242-04010	4 - 16	C554-000021	7 - 7
145862-40630	4 - 19	900242-04010	7 - 11	P005-000010	10 - 9-19
145866-42031	4 - 18	900242-05014	6 - 8	P005-000010	9 - 19
156110-54930	2 - 6	900242-05025	6 - 10	P005-000100	9 - 5
156112-40630	2 - 4	900242-05028	6 - 19	P005-000190	9 - 3
159011-03432	2 - 2	900242-05035	6 - 3	P005-000200	10 - 9-16
159012-03433	2 - 3	900242-05035	6 - 3	P005-000200	10 - 9-16
162010-52830	2 - 8	900253-04025	6 - 23	P005-000200	9 - 16
175000-56830	2 - 18	900253-05020	1 - 17	P005-000250	9 - 28
175000-56831	2 - 18	900500-00005	4 - 2	P005-000270	9 - 26
175005-44331	2 - 17	900500-00005	6 - 4	P005-000280	9 - 10
175313-20430	2 - 16	900500-00005	6 - 4	P005-000510	10 - 9-23
177220-42030	3 - 11	900500-00005	6 - 4	P005-000510	10 - 9-23
177227-42030	3 - 14	900500-00005	7 - 8	P005-000510	9 - 23
177228-27030	3 - 13	900600-00005	4 - 21	P005-000520	10 - 9-24
177236-61830	3 - 6	900603-00005	5 - 12	P005-000520	10 - 9-24
177246-11120	3 - 12	900702-00030	7 - 15	P005-000520	9 - 24
178003-52130	6 - 9	900810-06200	7 - 12	P005-000930	9 - 25
178010-52130	6 - 15	900811-06200	7 - 14	P005-000940	10 - 9-20
178012-52630	6 - 14	910300-27700	7 - 3	P005-000940	9 - 12

**Index**

<b>Patrs Number</b>	<b>Key No.</b>	<b>Patrs Number</b>	<b>Key No.</b>	<b>Patrs Number</b>	<b>Key No.</b>
P005-001000	10 - 9-9	X505-000140	6 - 1		
P005-001000	9 - 9	X547-000540	2 - 13		
P005-001240	9 - 2	X698-000040	7 - 22		
P005-001250	9 - 22				
P005-001260	9 - 20				
P005-001270	9 - 6				
P005-001270	9 - 21				
P005-001320	9 - 4				
P005-001660	10 -				
P005-001670	10 -				
P005-001780	10 - 9-17				
P005-001780	10 - 9-17				
P005-001780	9 - 17				
P005-001890	9 - 25				
P005-001900	9 - 29				
P021-002861	7 - 17				
P021-004480	4 - 8				
P021-007420	4 - 15				
P021-007712	1 - 4				
P021-009461	7 - 9				
P021-009552	7 - 1				
P021-012210	5 - 8				
P022-000670	8 - 2				
P022-000700	8 - 8				
P022-000710	8 - 7				
P022-000720	8 - 5				
P022-002100	3 - 2				
P022-006190	8 - 6				
P022-006510	3 - 3				
P022-006830	3 - 10				
P022-006850	3 - 4				
P022-008260	3 - 9				
P022-008270	3 - 8				
P022-008280	3 - 7				
P022-010720	8 - 9				
P022-010730	8 - 4				
P022-010740	8 - 3				
V100-000160	1 - 3				
V104-000500	4 - 23				
V202-000090	1 - 20				
V202-000090	3 - 15				
V315-000030	2 - 10				
V430-001880	6 - 6				
V471-001190	5 - 3				
V471-001200	5 - 2				
V475-003960	2 - 6				
V553-000010	1 - 16				
X047-000380	8 - 1				
X502-000330	3 - 16				

# YAMABIKO CORPORATION

7-2 SUEHIROCHO 1-CHOME, OHME, TOKYO 198-8760, JAPAN  
PHONE: 81-428-32-6118. FAX: 81-428-32-6145.

