



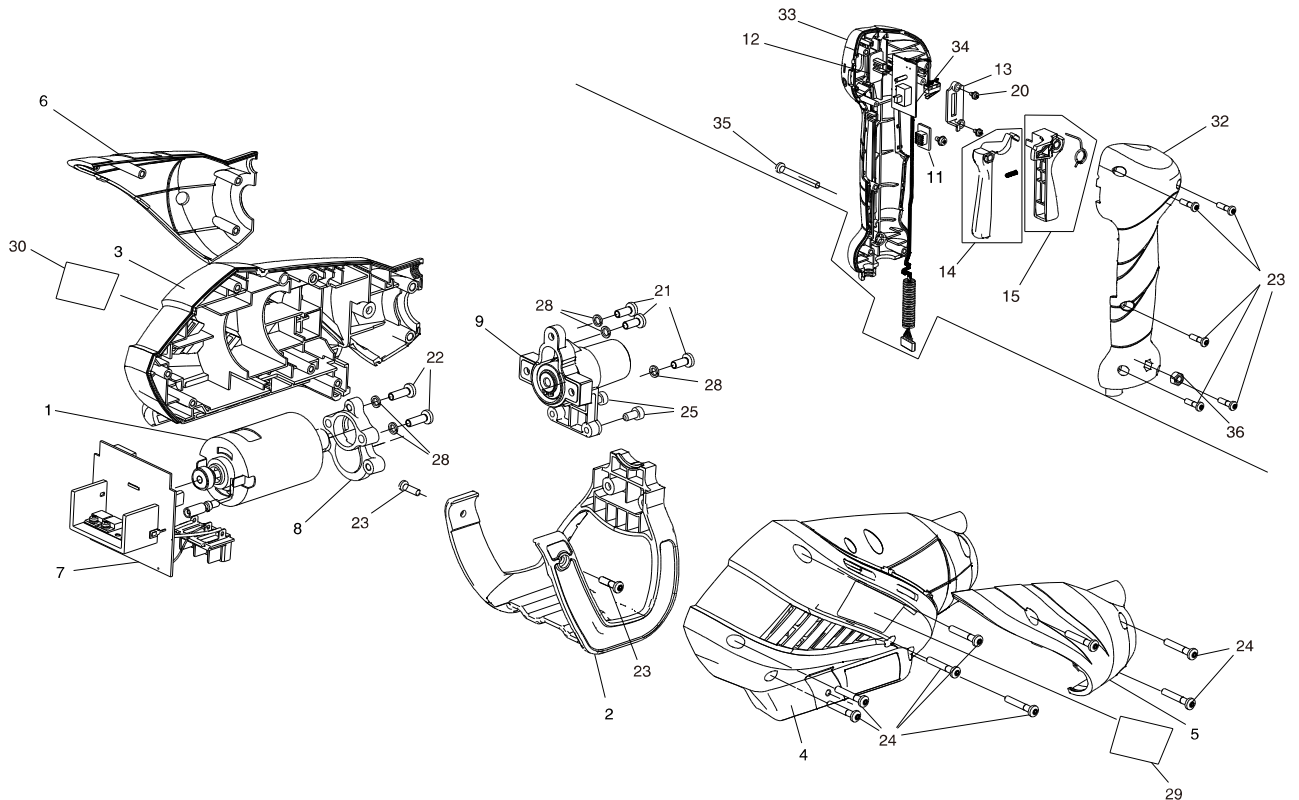
PARTS CATALOG

TRIMMER ESR-2300/U EU



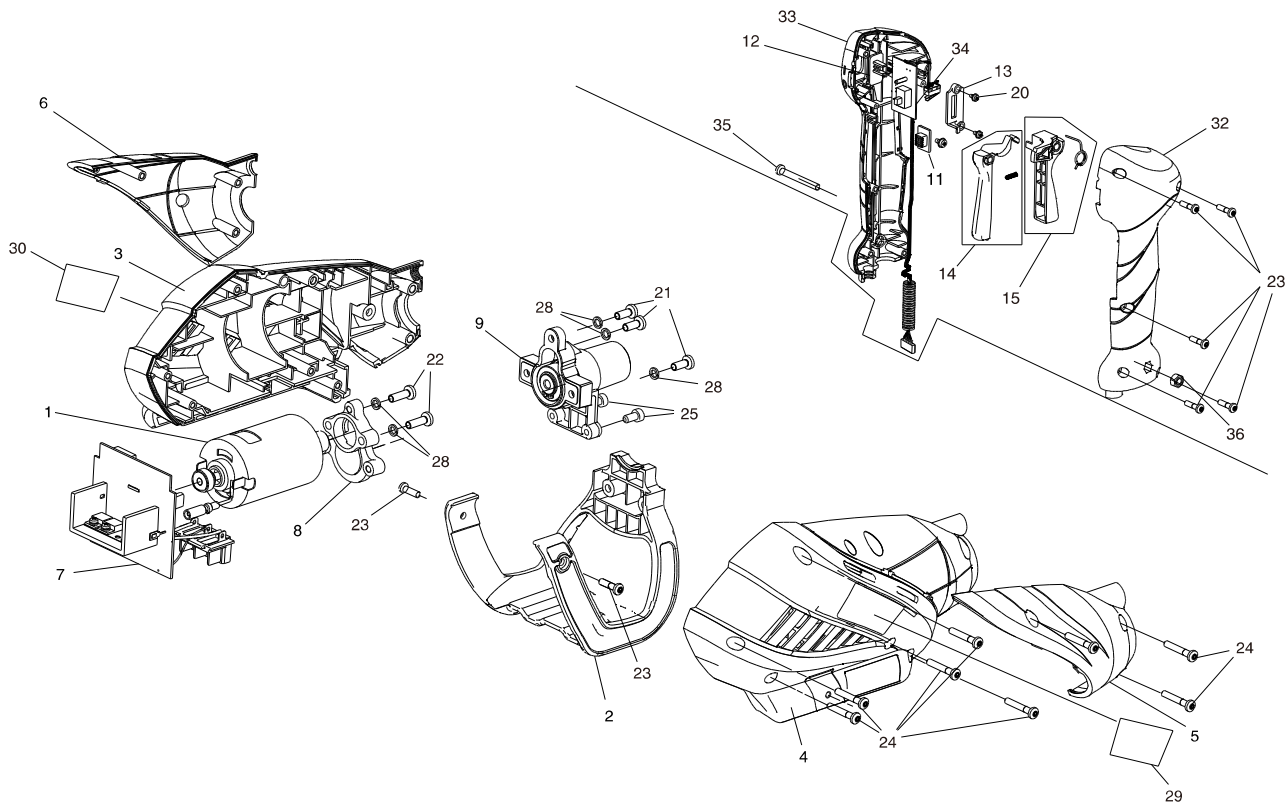
P014-001930-12Db

ESR-2300/U EU 1 MOTOR



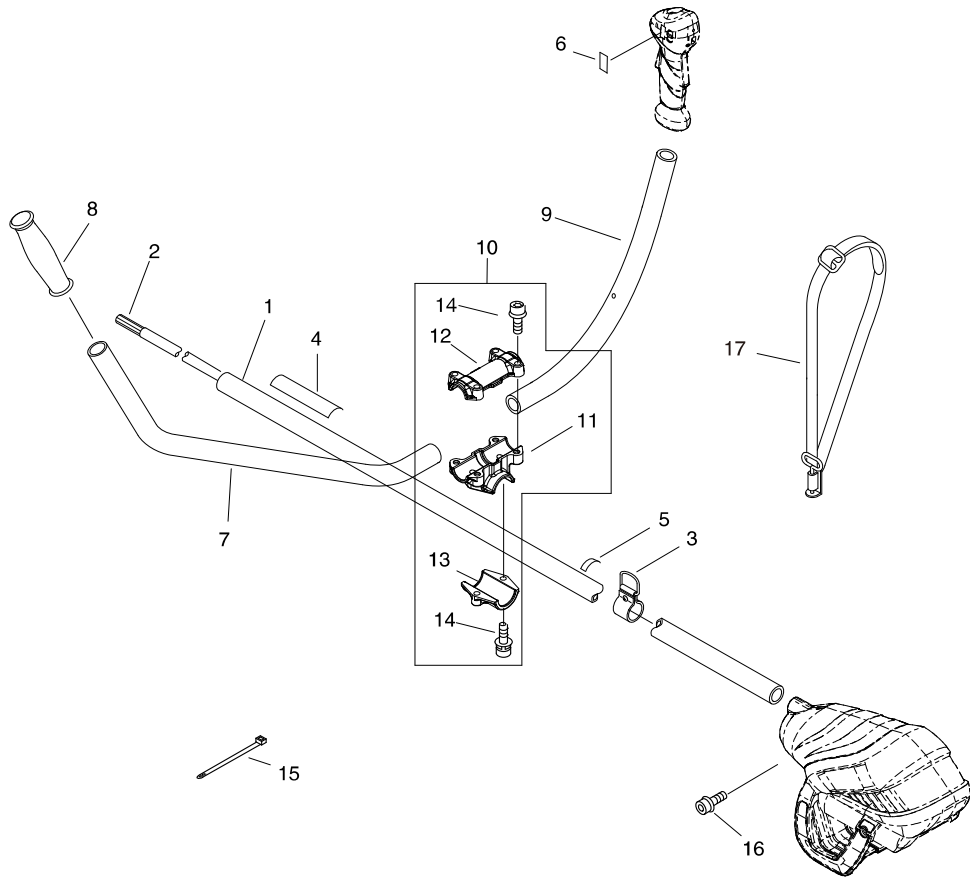
KEY	LV	PART NUMBER	Q'TY	DESCRIPTION	REMARKS
1		P022-033380	1	MOTOR ASY	
2		P022-033390	1	STAND	
3		P022-033400	1	MOTOR COVER	
4		P022-033410	1	MOTOR COVER	
5		P022-033420	1	COVER	
6		P022-033430	1	COVER	
7		P022-033440	1	PCB ASY	
8		P022-033450	1	GEAR CASE COVER	
9		P022-033460	1	GEAR CASE ASY	
11		P022-033470	1	ON OFF SWITCH	
12		P022-033480	1	SWITCH	
13		P022-033490	1	SWITCH BRACKET	
14		P022-033500	1	THROTTLE LOCK OUT	
15		P022-033510	1	THROTTLE TRIGGER	
20		P022-033560	3	SCREW WITH WASHER	
21		P022-033570	3	SCREW	
22		P022-033580	2	SCREW	
23		P022-033590	7	SCREW	
24		P022-033600	8	SCREW	
25		P022-033610	2	SCREW	
28		P022-033640	5	SPRING WASHER	
29		X502-000920	1	LABEL,ECHO	
30		X502-000910	1	LABEL,ECHO	
32		P022-033650	1	HANDLE GRIP	
33		P022-033660	1	HANDLE GRIP	
34		P022-033670	1	PCB ASY	

ESR-2300/U EU 1 MOTOR



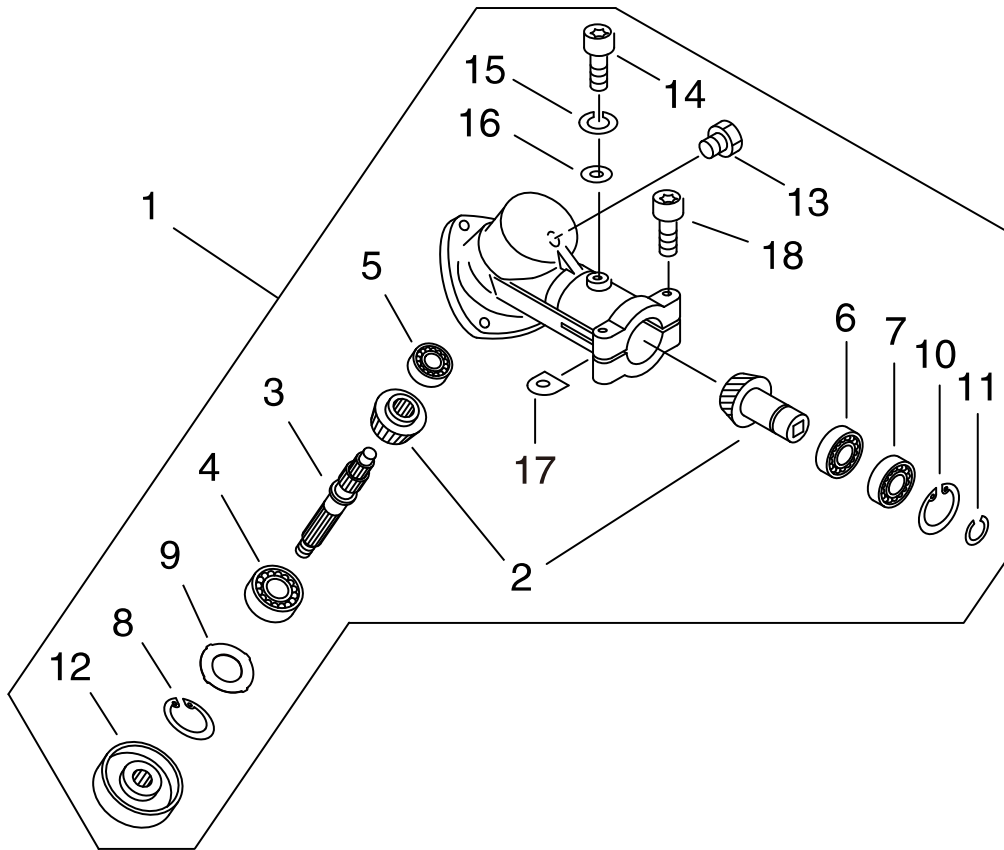
KEY	LV	PART NUMBER	Q'TY	DESCRIPTION	REMARKS
35		900220-05030	1	SCREW 5*30	
36		900500-00005	1	NUT 5	

ESR-2300/U EU 2 MAIN PIPE



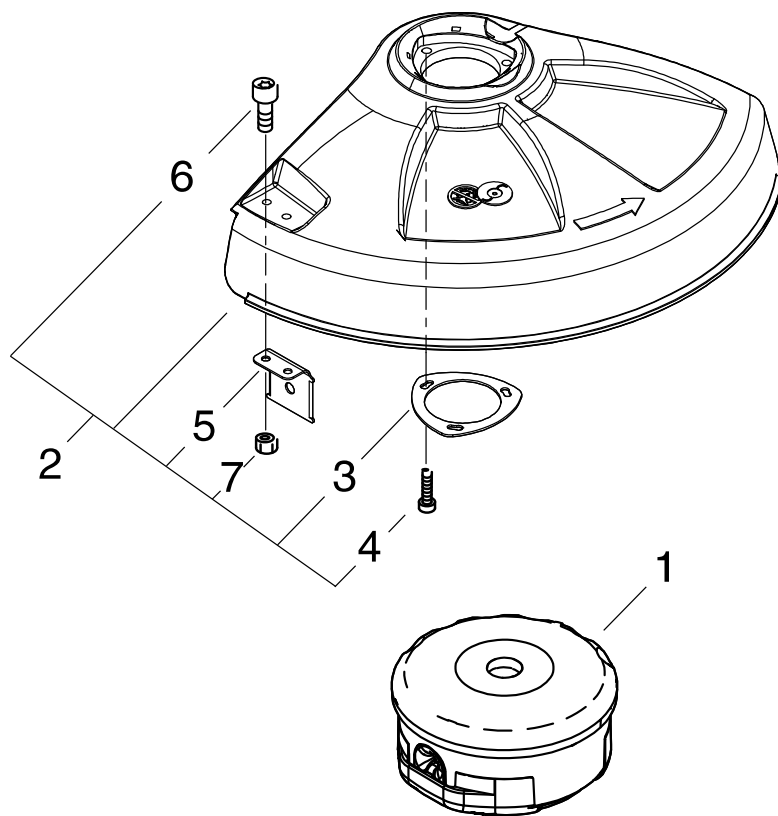
KEY	LV	PART NUMBER	Q'TY	DESCRIPTION	REMARKS
1		C050-002410	1	PIPE, MAIN	
2		C504-001170	1	SHAFT, DRIVE	
3		C063-000040	1	HOOK,LIFTING	
4		X505-007030	1	LABEL,CAUTION	
5		890152-04930	1	LABEL, CAUTION	
6		X511-000220	1	LABEL,THROTTLE	
7		C400-001140	1	HANDLE, FRONT	
8		351311-02330	1	GRIP, HANDLE	
9		C400-001300	1	HANDLE, FRONT	
10		P021-041050	1	BRACKET ASY, HANDLE	
11	+	351312-22331	1	BRACKET, HANDLE (C)	
12	+	351313-22332	1	BRACKET, HANDLE (U)	
13	+	351314-22332	1	BRACKET, HANDLE (L)	
14	+	V805-000260	6	BOLT, TORX 5	
15		178121-43230	3	BAND	
16		900105-05010	1	BOLT, H.S. 5*10	
17		C062-000021	1	HARNES,SHOULDER	

ESR-2300/U EU 3 GEAR CASE



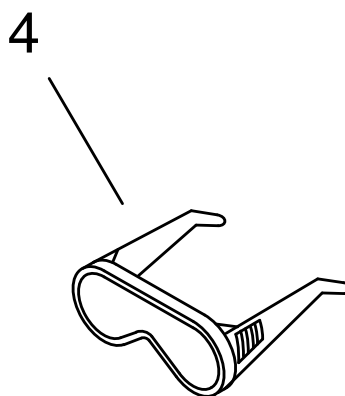
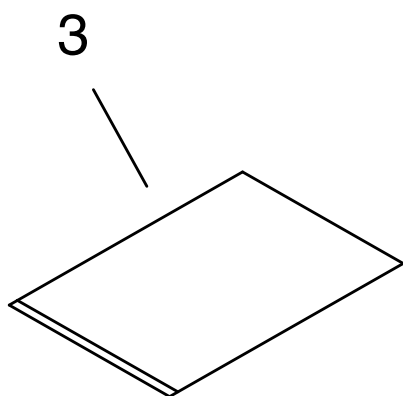
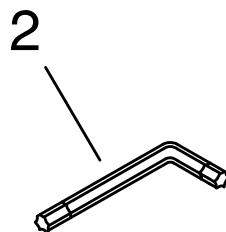
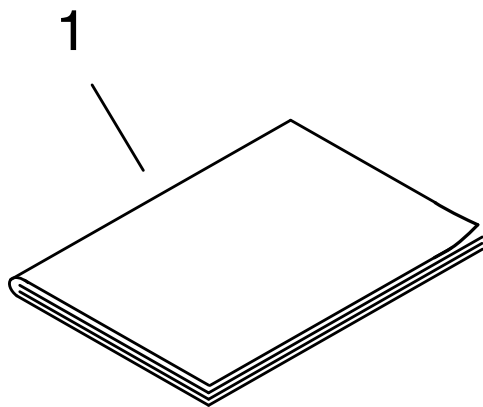
KEY	LV	PART NUMBER	Q'TY	DESCRIPTION	REMARKS
1		P021-041010	1	GEAR CASE	
2	+	V000-000180	1	GEAR SET, BEVEL	
3	+	C534-000270	1	SHAFT, GEAR	
4	+	900812-06201	1	BEARING, BALL 6201	
5	+	94060-00609	1	BEARING BALL	
6	+	94060-06900	1	BEARING BALL	
7	+	94063-06900	1	BEARING BALL	
8	+	900702-00032	1	CIRCLIP 32	
9	+	V340-000180	1	WASHER	
10	+	900702-00022	1	CIRCLIP 22	
11	+	900706-00010	1	CIRCLIP 10	
12	+	C535-000210	1	FIXTURE, BLADE	
13	+	610434-50031	1	BOLT 8* 8	
14	+	V805-000130	1	BOLT, TORX 5	
15	+	900605-00005	1	WASHER, SPRING 5	
16	+	900600-00005	1	WASHER 5	
17	+	610239-04130	2	WASHER, SHIM	
18	+	V805-000260	2	BOLT, TORX 5	

ESR-2300/U EU 4 NYLON LINE CUTTER



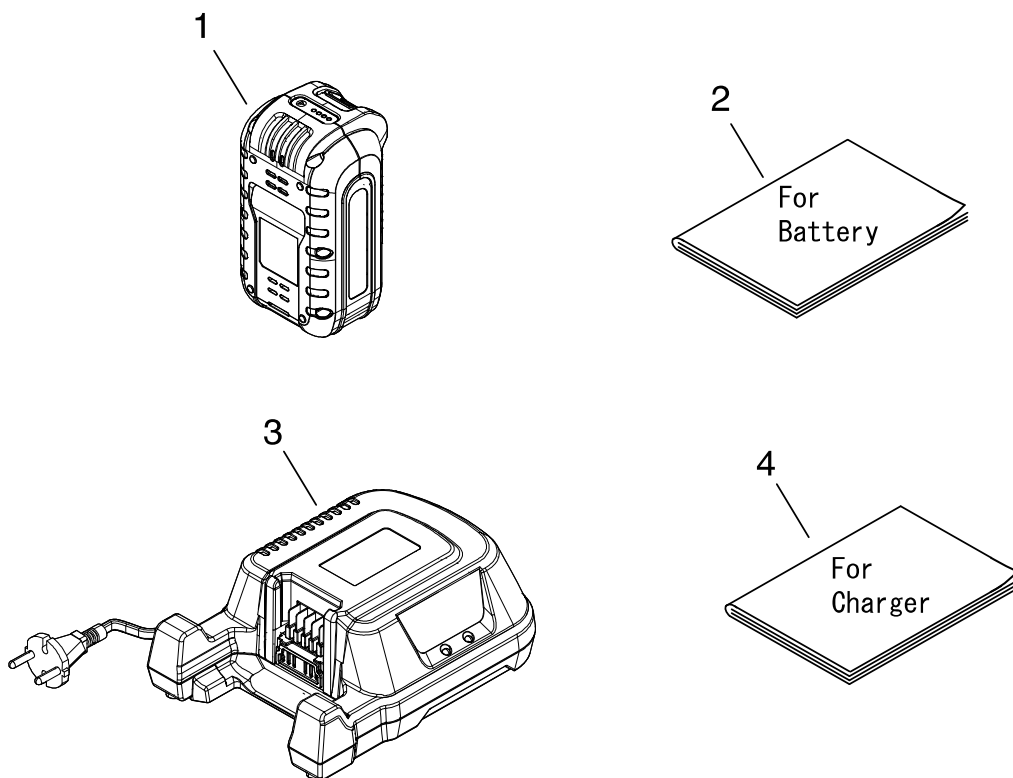
KEY	LV	PART NUMBER	Q'TY	DESCRIPTION	REMARKS
1		X047-001020	1	CUTTER,ASM LINE	
2		P021-041030	1	SHIELD KIT	
3	+	C552-000220	1	PLATE, SHIELD	
4	+	V203-002110	3	BOLT,5	
5	+	C554-000070	1	KNIFE, CORD	
6	+	V805-000140	2	BOLT, TORX 5	
7	+	900500-00005	2	NUT 5	

ESR-2300/U EU 5 ACCESSORIES



KEY	LV	PART NUMBER	Q'TY	DESCRIPTION	REMARKS
1		X750-020860	1	MANUAL, OPERATOR	
2		X605-000170	1	TOOL, L WRENCH	
3		898510-07130	1	BAG, TOOL	
4		X690-000050	1	GOGGLE	

ESR-2300/U EU 6 BATTERY



KEY	LV	PART NUMBER	Q'TY	DESCRIPTION	REMARKS
1		V046-000130	1	BATTERY,ASM	
2		X750-020870	1	MANUAL,OPERATOR	
3		A046-000140	1	CHARGER	
4		X750-020880	1	MANUAL,OPERATOR	

Index

Patrs Number	Key No.	Patrs Number	Key No.	Patrs Number	Key No.
178121-43230	2 - 15	P022-033510	1 - 15		
351311-02330	2 - 8	P022-033560	1 - 20		
351312-22331	2 - 11	P022-033570	1 - 21		
351313-22332	2 - 12	P022-033580	1 - 22		
351314-22332	2 - 13	P022-033590	1 - 23		
610239-04130	3 - 17	P022-033600	1 - 24		
610434-50031	3 - 13	P022-033610	1 - 25		
890152-04930	2 - 5	P022-033640	1 - 28		
898510-07130	5 - 3	P022-033650	1 - 32		
900105-05010	2 - 16	P022-033660	1 - 33		
900220-05030	1 - 35	P022-033670	1 - 34		
900500-00005	1 - 36	V000-000180	3 - 2		
900500-00005	4 - 7	V046-000130	6 - 1		
900600-00005	3 - 16	V203-002110	4 - 4		
900605-00005	3 - 15	V340-000180	3 - 9		
900702-00022	3 - 10	V805-000130	3 - 14		
900702-00032	3 - 8	V805-000140	4 - 6		
900706-00010	3 - 11	V805-000260	2 - 14		
900812-06201	3 - 4	V805-000260	3 - 18		
94060-00609	3 - 5	X047-001020	4 - 1		
94060-06900	3 - 6	X502-000910	1 - 30		
94063-06900	3 - 7	X502-000920	1 - 29		
A046-000140	6 - 3	X505-007030	2 - 4		
C050-002410	2 - 1	X511-000220	2 - 6		
C062-000021	2 - 17	X605-000170	5 - 2		
C063-000040	2 - 3	X690-000050	5 - 4		
C400-001140	2 - 7	X750-020860	5 - 1		
C400-001300	2 - 9	X750-020870	6 - 2		
C504-001170	2 - 2	X750-020880	6 - 4		
C534-000270	3 - 3				
C535-000210	3 - 12				
C552-000220	4 - 3				
C554-000070	4 - 5				
P021-041010	3 - 1				
P021-041030	4 - 2				
P021-041050	2 - 10				
P022-033380	1 - 1				
P022-033390	1 - 2				
P022-033400	1 - 3				
P022-033410	1 - 4				
P022-033420	1 - 5				
P022-033430	1 - 6				
P022-033440	1 - 7				
P022-033450	1 - 8				
P022-033460	1 - 9				
P022-033470	1 - 11				
P022-033480	1 - 12				
P022-033490	1 - 13				
P022-033500	1 - 14				

YAMABIKO CORPORATION

7-2 SUEHIROCHO 1-CHOME, OHME, TOKYO 198-8760, JAPAN
PHONE: 81-428-32-6118. FAX: 81-428-32-6145.



12Db
No. 04-332