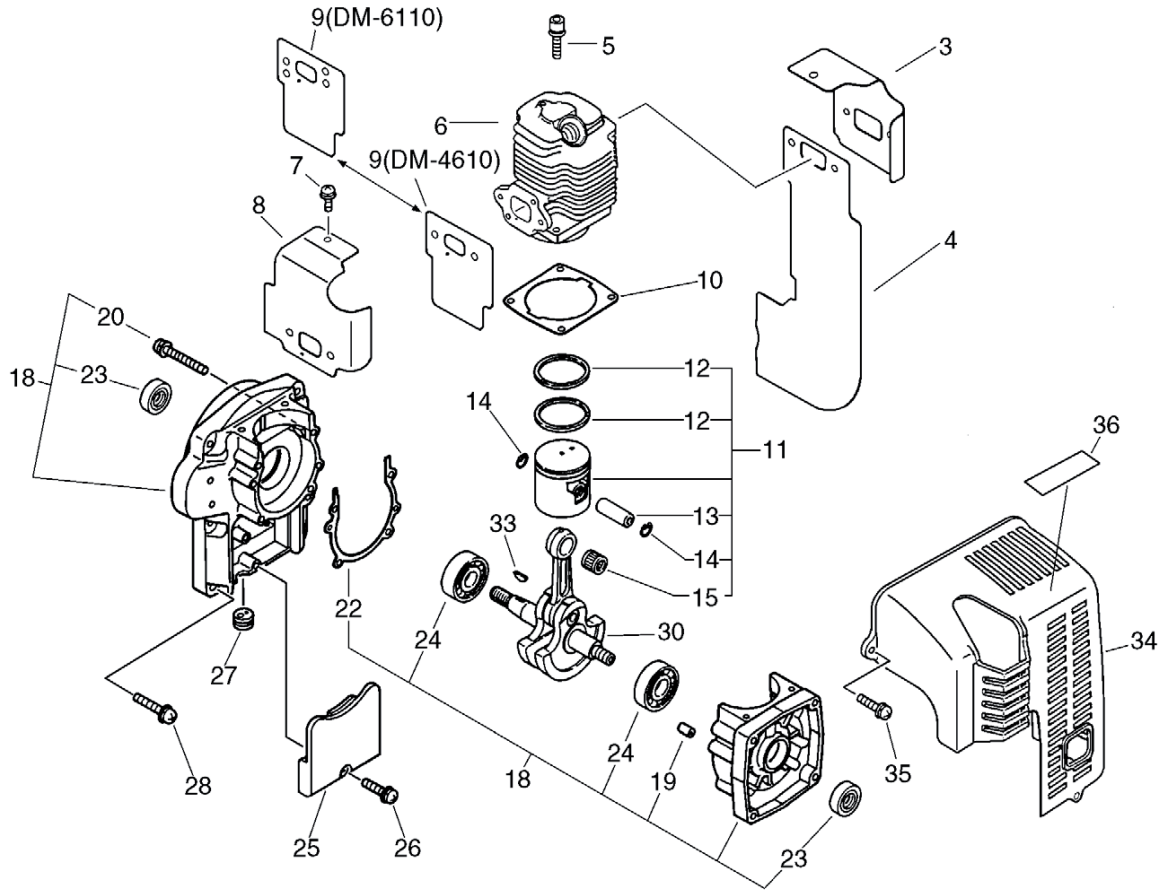


No.1



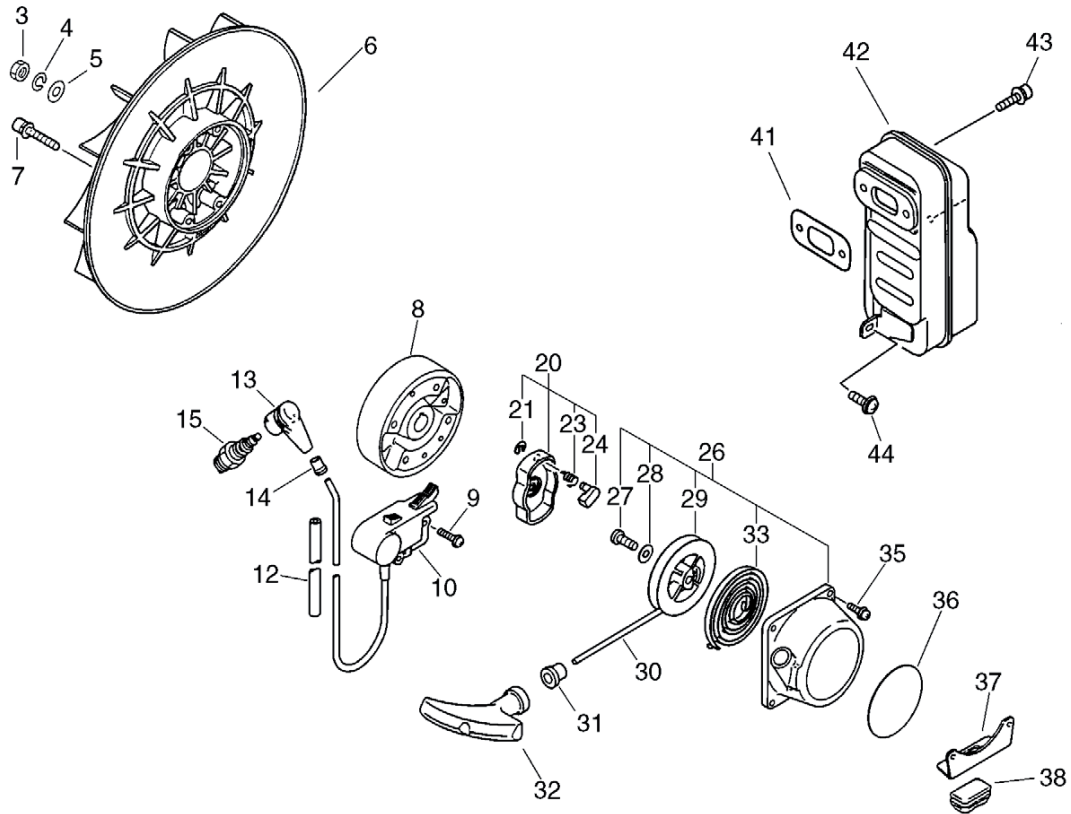
Parts List

Date:24.11.2008 Page: 1

Group:Duster/Mist Blowers Model:DM-6110(SrNr 005057 and before) Section:Cylinder, Crankcase, Piston

Key	Lv	Part Number	Q'ty	Description	Remarks	Note
3		101514-06210	1	COVER, CYLINDER		
4		145512-06210	1	GASKET, MUFFLER	Sus. by 145512-06211	
4		145512-06211	1	GASKET, MUFFLER		
5		900162-05020	4	BOLT, H.S. 5*20		
6		101011-08261	1	CYLINDER	DM-4610	
6		101011-06310	1	CYLINDER	DM-6110	
7		900242-05010	1	SCREW 5*10		
8		101514-06410	1	COVER, CYLINDER	DM-4610	
8		101576-06210	1	COVER, CYLINDER	DM-6110	
9		130010-06410	1	GASKET, INTAKE	DM-4610	
9		130016-06211	1	GASKET, INTAKE	DM-6110	
10		101010-10722	1	GASKET, CYL. BASE	DM-4610	
10		101010-06211	1	GASKET, CYL. BASE	DM-6110	
11		100000-03210	1	PISTON KIT	DM-4610	
11		100000-06210	1	PISTON KIT	DM-6110	
12	+	100011-10530	2	RING, PISTON	DM-4610	
12	+	100011-32330	2	RING, PISTON	DM-6110	
13	+	100013-00410	1	PIN, PISTON	DM-4610	
13	+	100013-06210	1	PIN, PISTON	DM-6110	
14	+	100015-00120	2	CIRCLIP, PISTON PIN		
15	+	100012-12331	1	BEARING, NEEDLE		
18		100204-08261	1	CRANKCASE KIT		
19	+	100215-03930	2	PIN, DOWEL		
20	+	900242-05040	4	SCREW 5*40		
22	+	100242-10721	1	GASKET, CRANKCASE		
23	+	100213-00310	2	OILSEAL		
24	+	900810-36202	2	BEARING, BALL 6202		
25		159129-08260	1	COVER, DUST		

No.3



Parts List

Date:24.11.2008 Page: 1

Group:Duster/Mist Blowers Model:DM-6110(SrNr 005057 and before) Section:Starter, Magneto, Muffler

Key	Lv	Part Number	Q'ty	Description	Remarks	Note
3		900501-00010	1	NUT 10*1.25		
4		900605-00010	1	WASHER, SPRING 10		
5		900602-00010	1	WASHER 10(10.5*21*2)		
6		200005-06210	1	FAN		
7		900148-05035	4	BOLT 5*35		
8		156800-06161	1	ROTOR, MAGNETO		
9		900242-05018	2	SCREW 5*18		
10		156601-06211	1	C.D. IGNITION MODULE		
12		156611-04260	1	TUBE		
13		159012-10230	1	CAP, SPARK PLUG		
14		159016-05330	1	ADAPTER, PLUG CAP		
15		159010-10230	1	PLUG, SPARK (BPMR-7A		
20		177202-06210	1	PAWL ASSY, STARTER		
21 +		900700-00004	1	E-RING 4		
23 +		177234-40630	1	SPRING, RETURN		
24 +		177218-40630	1	PAWL, STARTER		
26		177200-06210	1	STARTER ASSY		
27 +		177236-40630	1	SCREW		
28 +		177214-40630	1	WASHER		
29 +		177215-11120	1	DRUM, STARTER		
30 +		177226-11120	1	ROPE, STARTER		
31 +		177227-42030	1	GUIDE, ROPE		
32 +		177228-11120	1	GRIP, STARTER		
33 +		177220-11120	1	REWIND SPRING		
35		900292-04018	4	SCREW 4*18		
36		890118-49330	1	LABEL, ECHO		
37		300029-06210	1	PLATE, ANGLE		
38		305117-03360	1	CUSHION		

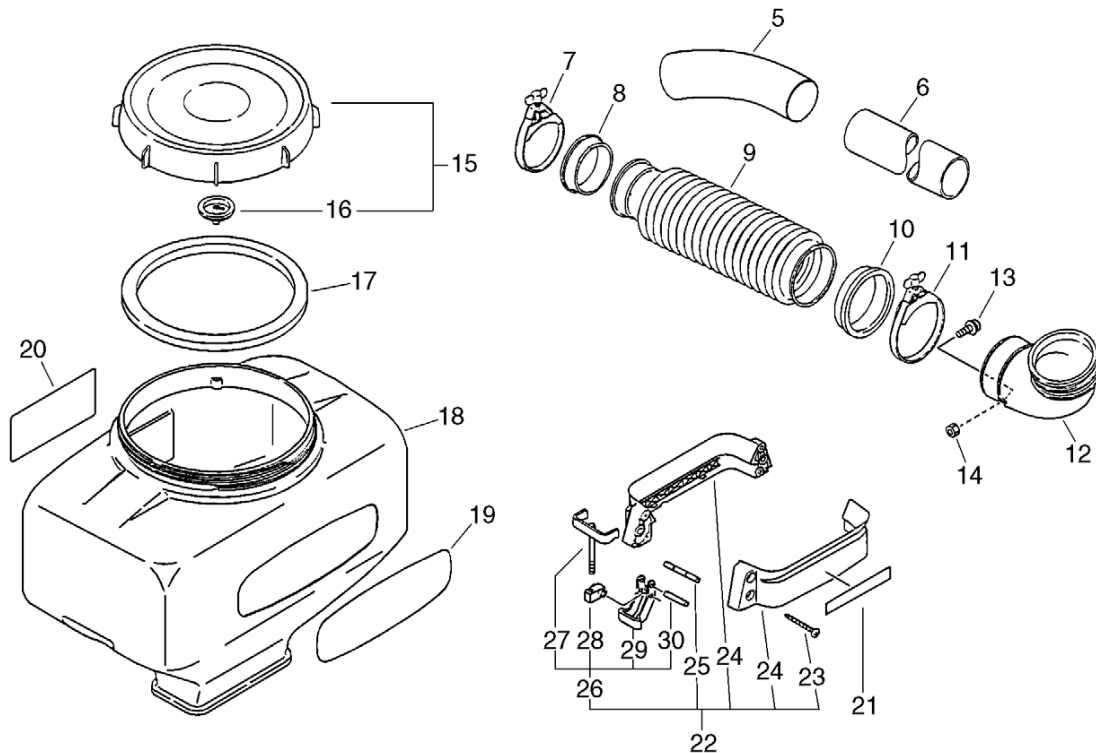
Parts List

Group:Duster/Mist Blowers Model:DM-6110(SrNr 005057 and before) Section:Control Lever

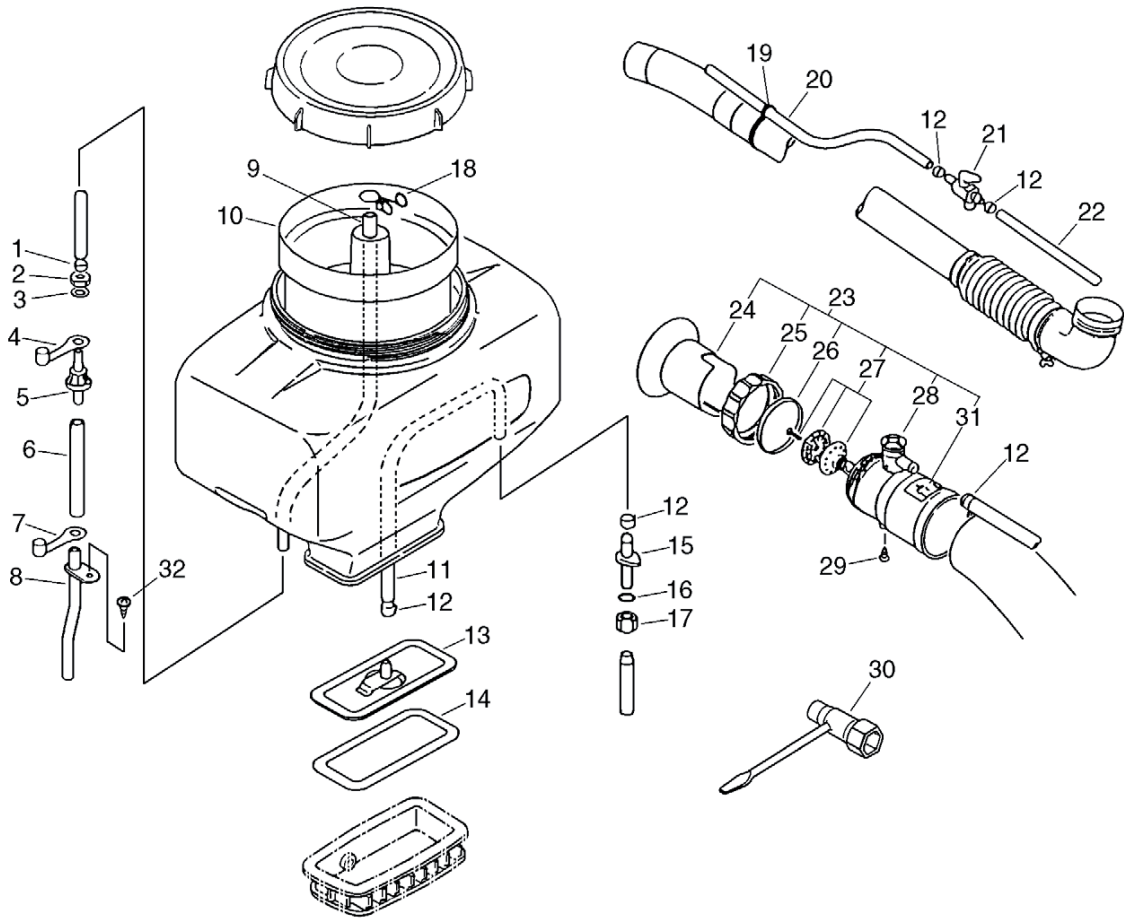
Key	Lv	Part Number	Q'ty	Description	Remarks	Note
5		890348-05060	1	LABEL, SPEED		
6		890157-39130	1	LABEL, SWITCH		
7		900292-05025	2	SCREW 5*25		
8		701111-06210	1	DIAL	Sus. by 701111-06212	
8		701111-06211	1	DIAL	Sus. by 701111-06212	
8		701111-06212	1	DIAL		
9		900504-00005	2	NUT 5B		
10		701112-06410	1	BRACKET, DIAL		
11		701021-02910	1	KNOB, LEVER		
12		178005-06410	1	LEVER, THROTTLE	Sus. by 178005-06411	
12		178005-06411	1	LEVER, THROTTLE		
13		900286-05025	4	SCREW 5*25 SUS		
14		900292-05014	2	SCREW 5*14		
15		701007-06610	1	KNOB, LEVER		
16		900502-00006	1	NUT 6 (3N)		
17		701010-06610	1	LEVER, CONTROL		
18		701020-05510	1	CONNECTOR		
19		900500-00005	1	NUT 5		
20		701014-06510	1	ROD, CONTROL LEVER		
21		605612-06510	1	PIN, SNAP		
22		178001-05810	1	WIRE, THROTTLE	DM-4610	
22		178001-05510	1	WIRE, THROTTLE	DM-6110	
23		900600-00008	1	WASHER 8		
24		701028-06210	1	HOLDER, STOPPER		
25		900503-00006	1	NUT (3N 6*0.75)	DM-4610	

Group:Duster/Mist Blowers Model:DM-6110(SrNr 005057 and before) Section:Chemical Tank

No.7



No.8



Parts List

Date:24.11.2008 Page: 1

Group:Duster/Mist Blowers Model:DM-6110(SrNr 005057 and before) Section:Mist Blower, Tool

Key	Lv	Part Number	Q'ty	Description	Remarks	Note
1		357013-00210	1	CLIP 11	Sus. by 132013-14010	
1		132013-14010	1	BAND		
2		363019-00310	1	NUT, CONNECTOR		
3		363018-00310	1	WASHER		
4		363022-00510	1	PLUG		
5		363017-00310	1	CONNECTOR, PIPE		
6		363024-04010	1	PIPE L-170		
7		363021-01110	1	PLUG		
8		363015-03210	1	PIPE, INTAKE	Sus. by E105-000000	
8		E105-000000	1	PIPE, AIR		
9		363014-00310	1	PIPE (INNER)	13L	
9		363014-03210	1	PIPE (INNER)	23L(OPTION)	
10		254210-03210	1	FILTER		
11		382011-01110	1	PIPE (9*13)		
12		357023-01110	5	CLIP 13	Sus. by V495-000310	
12		V495-000310	5	BAND		
13		253010-08010	1	PLATE, TANK BOTTOM		
14		270119-06210	1	GASKET, SHUTTER		
15		357010-01110	1	NIPPLE, OUTLET		
16		357014-01110	1	O-RING		
17		357015-01110	1	NUT, HOLLOW		
18		363023-01110	1	CLIP		
19		357911-00110	1	CLIP, PIPE		
20		357011-02410	1	PIPE (L-650)		
21		358100-01110	1	VALVE ASS'Y, PIPE		
22		357032-01110	1	PIPE (L-720)		
23		212500-01111	1	NOZZLE ASS'Y, MISTBL		
24 +		212515-01110	1	COLLAR, NOZZLE		

