



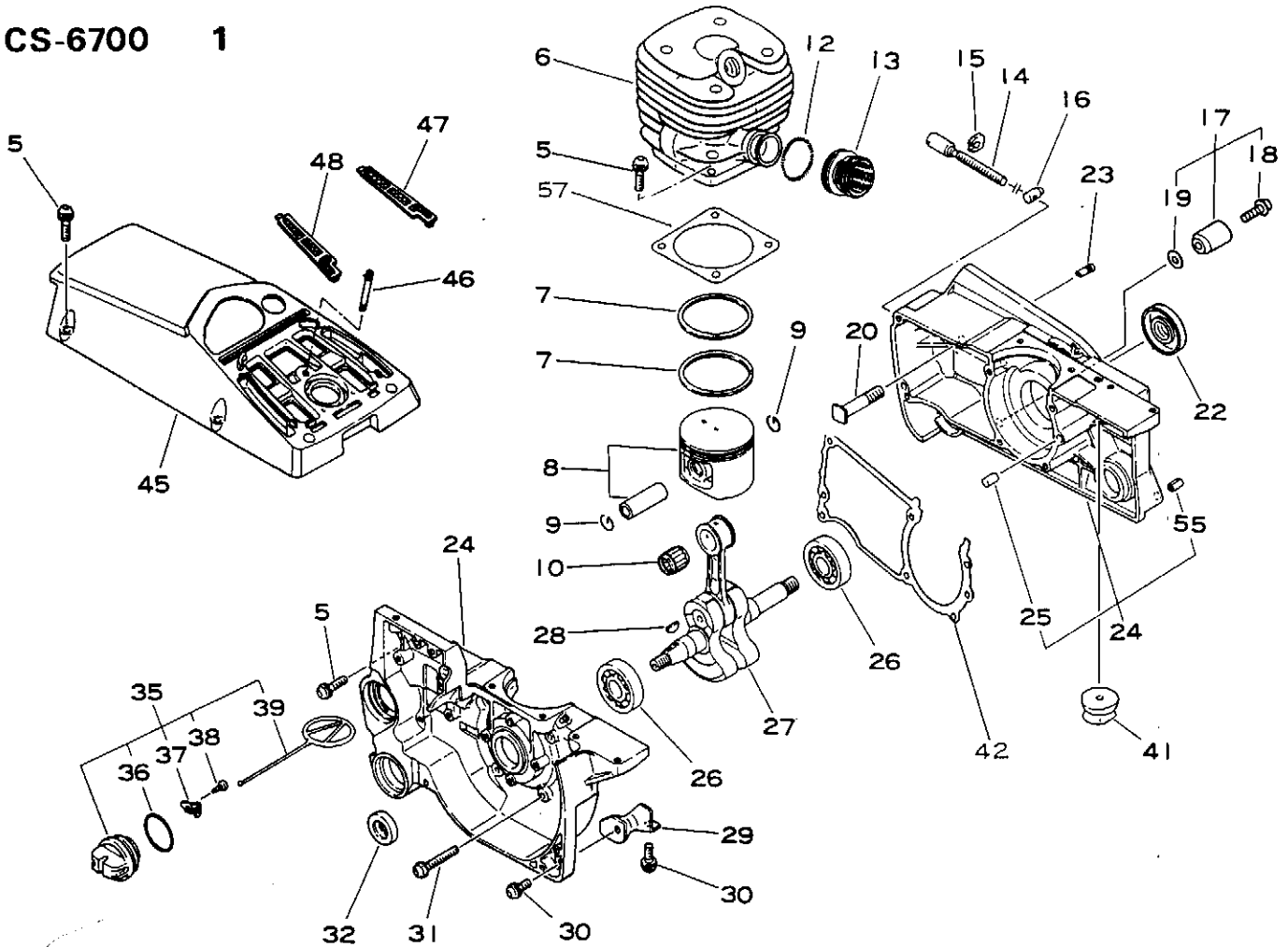
PARTS CATALOGUE

ECHO CHAIN SAW CS-6700

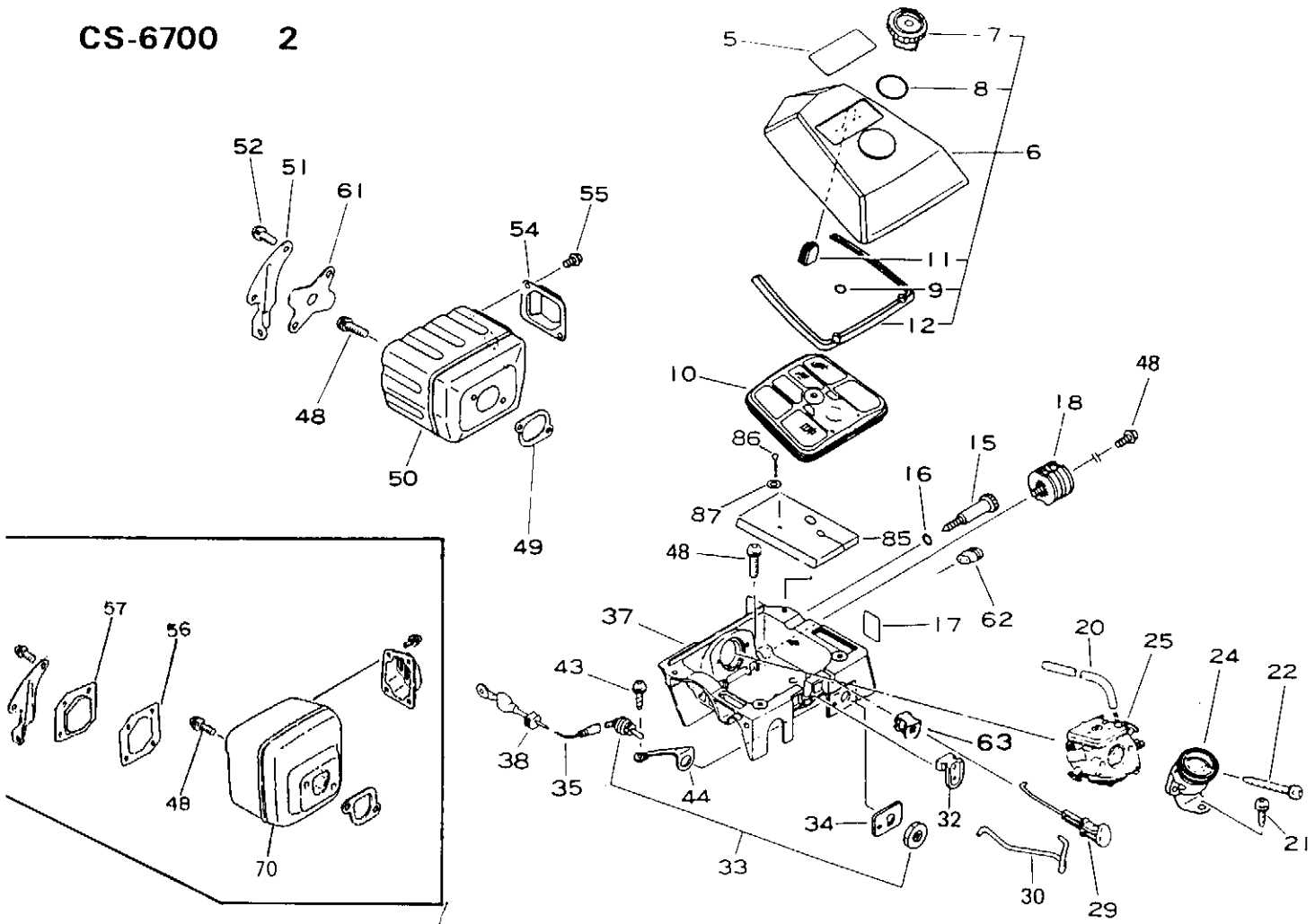


898 617-3263 2

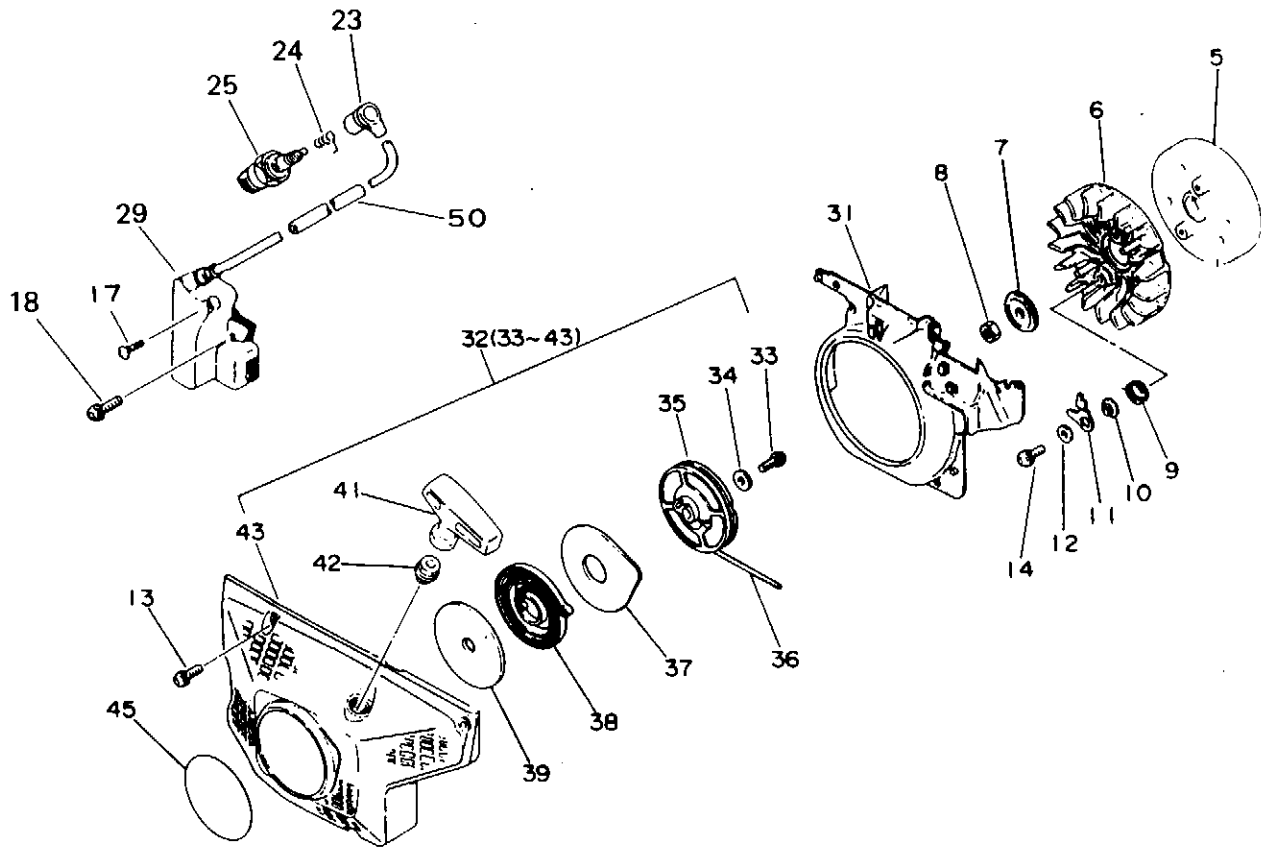
CS-6700 1



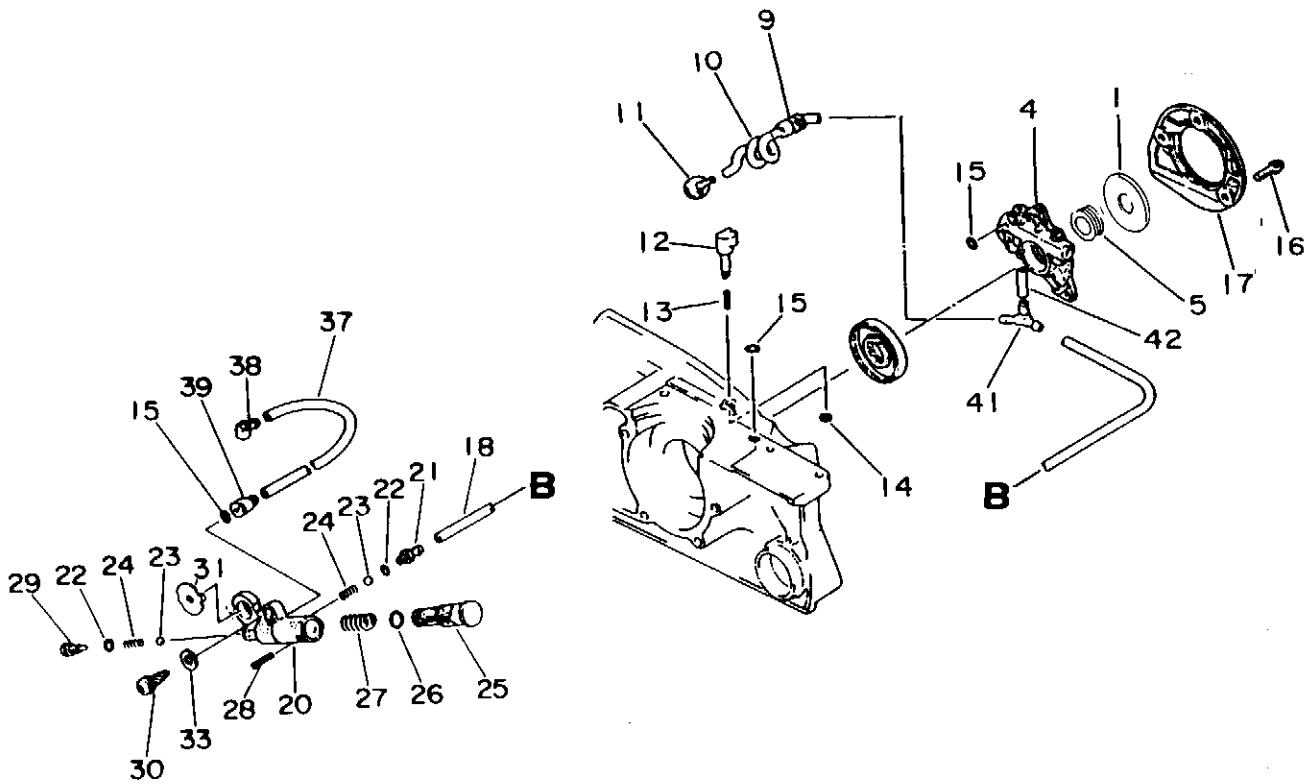
Key No.	Part Number	Q'ty	Description	Key No.	Part Number	Q'ty	Description
1- 5	900 162-0502 0	11	Screw 5x20	55	-900 345-0501 5	1	Pin, spring
6	101 005-3243 1	1	Cylinder	22	-100 212-3243 0	1	Oilseal
7	100 011-3243 0	2	Ring, piston				
8	100 003-3243 0	1s	Piston + piston pin	1-42	-100 242-3243 0	1	Gasket, crankcase
9	100 015-0023 0	2	Circlip, piston pin	1-57	101 010-3243 1	1	Gasket, cyl.base
				1-27	100 100-3243 0	1	Crankshaft assembly
12	130 516-3083 0	1	Band	10	-100 012-3243 0	1	Bearing, needle
13	130 510-3243 0	1	Adapter, intake	28	100 142-3083 0	1	Key, Woodruff
14	433 016-1103 1	1	Screw, adjustment	29	100 917-3243 0	1	Cushion
15	433 028-1103 0	1	Clip	30	900 238-0501 4	1	Screw 5x14
16	433 014-0283 0	1	Tensioner	31	900 162-0502 0	4	Screw 5x35
				35	436 001-1983 2	1	Cap assembly, oil
17	433 000-1983 1	1	Catcher kit, chain	36	-436 012-1983 0	1	Gasket
18	-900 238-0502 0	1	Screw 5x20	37	-131 050-1983 0	1	Holder
19	-900 600-0000 5	1	Washer 5	38	-900 258-0300 8	1	Screw 3x8
24	100 301-3243 2	1s	Crankcase set	39	-131 051-1983 0	1	Connector
20	-433 011-1983 0	2	Stud	45	101 506-3263 0	1	Cover, cylinder
23	-436 114-1393 0	1	Valve	46	101 014-0593 1	1	Stud
25	-100 215-0283 0	2	Pin, dowel	47	130 822-3233 0	1	Filter, air
26	-100 121-1983 0	1s	Bearing set, ball	48	130 823-3233 0	1	Filter, air
32	-100 212-1983 0	1	Oilseal				
41	-100 251-3243 0	1	Cushion				



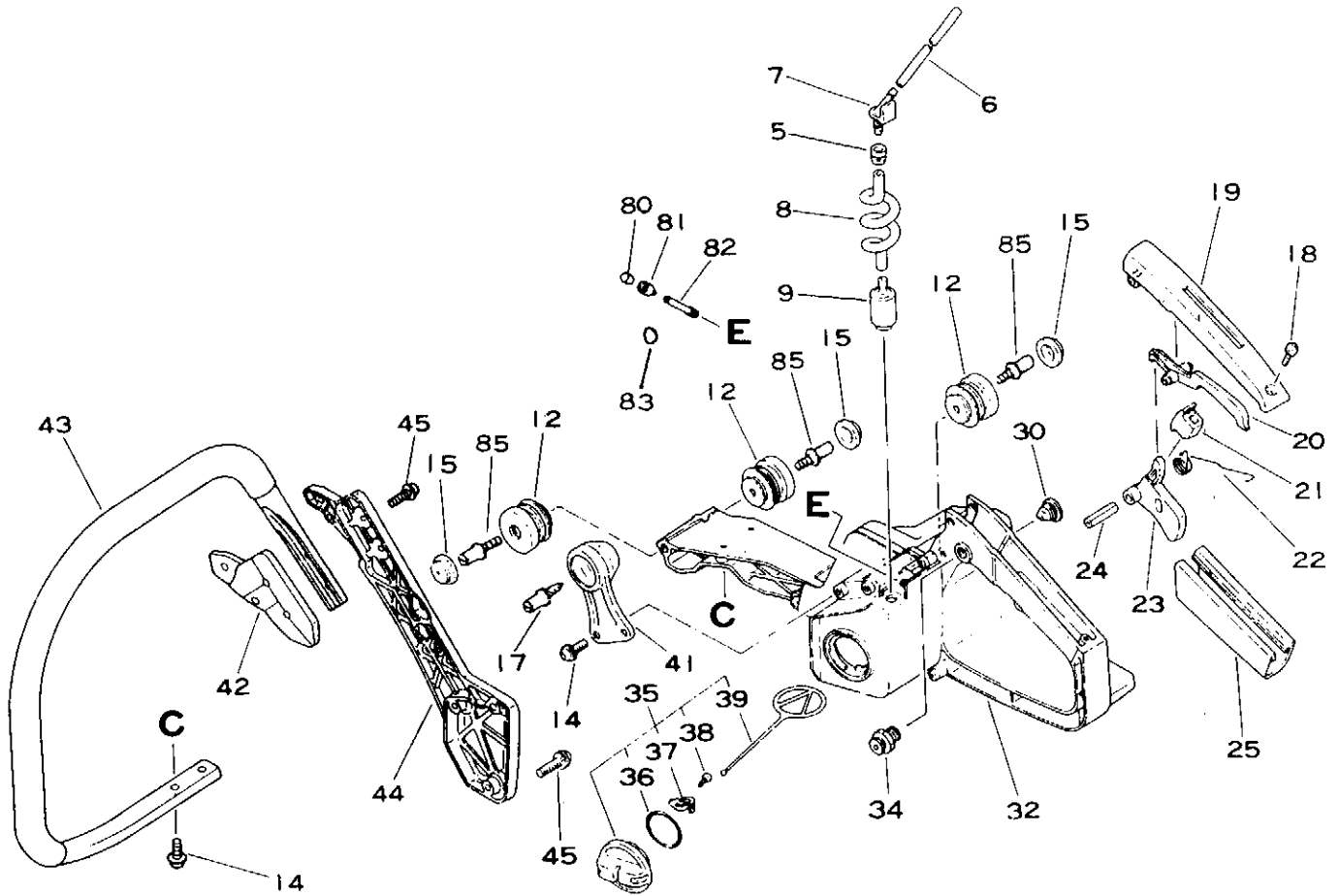
Key No.	Part Number	Q'ty	Description	Key No.	Part Number	Q'ty	Description
2- 5	890 151-3263 0	1	Label	30	178 011-3263 0	1	Rod, throttle
6	130 302-3253 0	1	Cover	32	178 114-3263 0	1	Holder, throttle wire
7	-130 406-3253 0	1	Knob, cleaner cover	33	163 400-3083 0	1	Switch, ignition
8	-900 720-0002 2	1	O-ring 22	34	890 157-1983 0	1	Label
9	-900 720-0001 1	1	O-ring 11	35	162 021-3243 0	1	Lead, ground
11	-130 338-3243 0	1	Plug	37	130 306-0606 0	1	Case, carburetor
12	-130 365-3243 0	1	Gasket	43			
10	130 300-3243 1	1	Cleaner assembly, air	38	156 114-0492 0	1	Grommet
15	129 013-3083 1	1	Screw, idle speed	44	156 635-3243 0	1	Plate
16	900 720-0000 7	1	O-ring 7	48	900 162-0502 0	7	Screw 5x20
17	890 324-3013 0	1	Label	49	145 510-3243 0	1	Gasket, muffler
18	100 905-3233 1	1	Cushion	50	145 610-3243 0	1	Muffler
20	132 010-1393 2	1	Pipe	51	145 711-3243 0	1	Bracket
21	900 246-0501 4	1	Screw 5x14	52	900 238-0501 4	2	Screw 5x14
22	900 252-0505 3	2	Screw 5x55	54	145 861-3243 0	1	Lid, muffler
23	129 011-1983 1	1	Plate	55	900 242-0401 0	2	Screw 4x10
24	130 518-3243 1	1	Connector	61	145 813-3173 0	1	Cover, muffler
25	123 000-3243 2	1	Carburetor	62	129 010-3243 0	1	Grommet
29	178 510-3233 0	1	Rod, choke	63	178 810-3333 0	1	Grommet
				53	145 862-3263 0	1	Screen OPTION
				56	145 816-3263 0	1	Gasket OPTION
				57	145 813-3263 0	1	Lid OPTION
				70	145 810-3263 0	1	Muffler OPTION
				85	130 320-3263 0	1	Pad
				86	900 300-3001 8	1	Pin
				87	433 162-1993 0	1	Washer



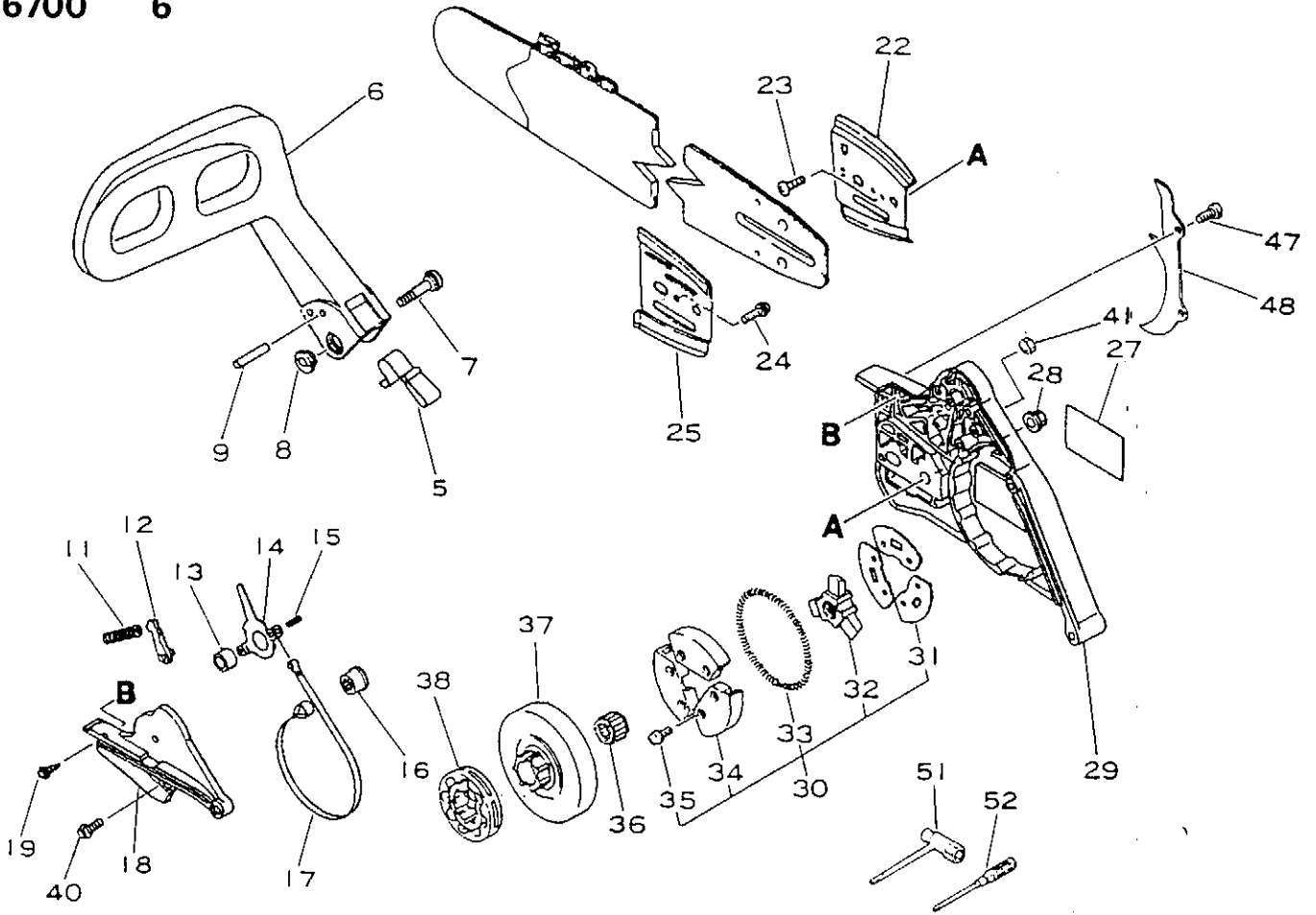
Key No.	Part Number	Q'ty	Description	Key No.	Part Number	Q'ty	Description
3- 5	156 800-3013 1	1	Flywheel	3-33	-900 238-0501 4	1	Screw 5x14
6	101 521-3233 0	1	Fan	34	-900 603-0000 5	1	Washer
7	100 143-1983 0	1	Washer	35	-177 215-3233 0	1	Reel, starter
8	900 500-0000 8	1	Nut 8	36	-177 226-0283 0	1	Rope, starter
9	177 234-1983 0	2	Spring, pawl	37	-177 221-3243 0	1	Plate
10	177 247-1983 0	2	Spacer	38	-177 220-0283 4	1	Spring, rewind
11	177 218-1453 0	2	Pawl, starter	39	-177 221-0283 0	1	Plate
12	900 603-0000 5	2	Washer 5	41	-177 228-3083 0	1	Grip, starter
13	900 238-0502 0	4	Screw 5x20	42	-177 227-1063 0	1	Guide, rope
14	900 162-0501 4	2	Screw 5x14	43	-101 507-3233 1	1	Cover, fan
18	900 281-0402 0	4	Screw 4x20	45	890 112-1833 1	1	Label
23	159 012-0343 3	1	Cap, spark plug				
24	159 011-0343 2	1	Coil, spark plug cap				
25	159 017-1643 1	1	Plug, spark				
27	900 242-0400 8	1	Screw				
29	156 601-3263 0	1	Module, CDI				
31	101 535-3243 0	1	Cover, fan				
32	177 200-3233 1	1	Starter assembly				



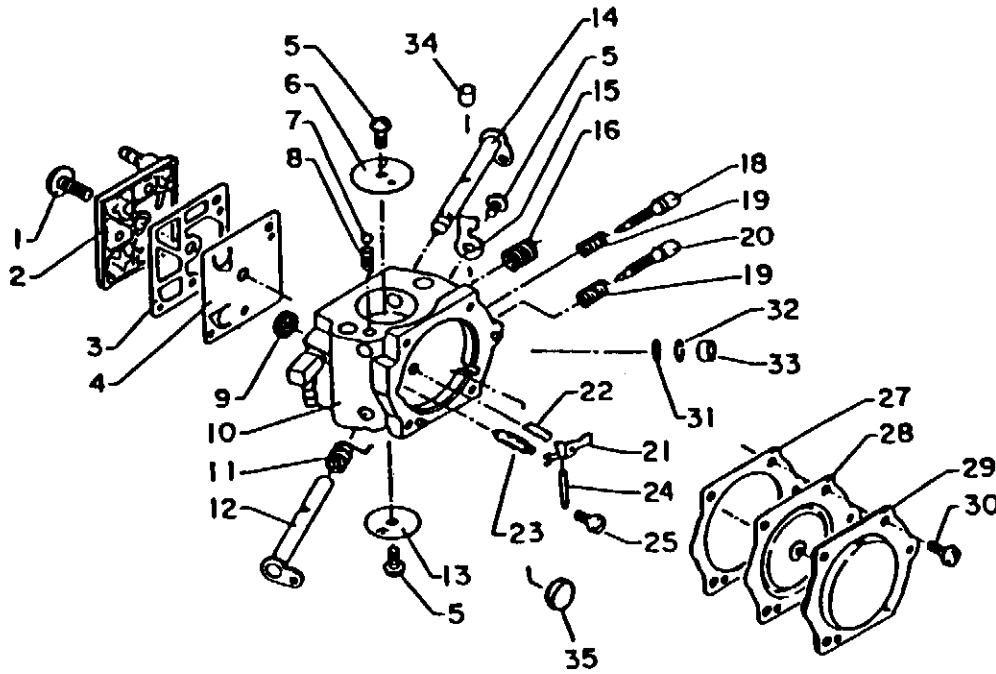
Key No.	Part Number	Q'ty	Description	Key No.	Part Number	Q'ty	Description
4-1	437 066-3263 0	1	Cover	23	-437 012-0033 0	2	Ball, valve
4	437 000-3753 0	1	Auto-oiler assembly	24	-437 013-0033 0	2	Spring
5	437 063-1993 0	1	Wheel, worm	25	-437 112-1983 1	1	Piston, oil pump
15	900 720-0000 3	1	O-ring 3	26	-900 720-0000 7	1	O-ring 7
				27	-437 111-1983 0	1	Spring
9	132 115-1233 0	1	Grommet	28	-900 345-2001 6	1	Pin, spring 2x16
10	437 210-3243 0	1	Pipe	29	-437 121-1013 0	1	Plug
11	436 205-1473 0	1	Strainer, oil	30	900 246-0502 0	1	Screw 5x20
12	437 039-1983 1	1	Dial, auto-oiler	33	900 603-0000 5	1	Washer 5
13	437 015-1983 0	1	Spring	37	437 216-3263 0	1	Pipe
14	900 700-0000 3	1	E-ring 3	38	437 232-3263 0	1	Connector
15	900 720-0000 3	1	O-ring 3	39	437 212-3263 0	1	Connector
16	900 281-0401 4	3	Screw 4x14	41	437 211-3243 0	1	Connector
17	437 605-3243 0	1	Plate	42	437 212-3243 0	1	Pipe
18	437 210-1513 0	1	Pipe	31	437 413-1983 0	1	Plate
15	-900 720-0000 3	1	O-ring 3				
20	-437 110-1983 1	1	Body, oil pump				
21	-437 118-1983 0	1	Nipple				
22	-437 122-0343 0	2	O-ring				




Key No.	Part Number	Q'ty	Description	Key No.	Part Number	Q'ty	Description
5- 5	132 115-0146 0	2	Grommet	39	-131 051-1983 0	1	Connector
6	132 012-3243 0	1	Pipe	41	100 921-3243 0	1	Cushion
7	132 011-1983 0	1	Connector	42	351 614-3243 0	1	Supporter, front handle
8	132 010-3083 0	1	Pipe	43	351 606-3263 0	1	Handle, front
9	131 205-0023 0	1	Strainer, fuel	44	351 616-3243 0	1	Supporter, front handle
12	100 910-3243 0	3	Cushion	45	900 281-0502 0	5	Screw 5x20
14	900 238-0501 4	4	Screw 5x14	80	131 300-4063 0	1	Vent
15	100 918-1983 0	3	Plug	81	131 328-4063 0	1	Cover, vent
17	100 915-3393 0	1	Screw 5x20	82	131 312-3243 0	1	Pipe, vent
18	900 238-0401 4	1	Screw 4x14	83	130 111-0053 0	1	Clip
19	351 155-3013 0	1	Grip, rear handle	85	100 915-3253 0	3	Screw
20	178 090-3013 0	1	Lockout, throttle control				
21	178 073-3243 0	1	Cushion				
22	178 043-1983 0	1	Spring				
23	178 010-1983 0	1	Control, throttle				
24	900 345-5002 5	1	Pin, spring 5x25				
25	351 111-1983 0	1	Grip, rear handle				
30	131 329-3233 0	1	Plug				
32	351 103-3243 1	1	Handle, rear				
34	178 302-1233 0	1	Latch, throttle				
35	131 004-1983 0	1	Cap assembly, fuel				
36	-900 720-0002 9	1	O-ring 29				
37	-131 050-1983 0	1	Holder				
38	-900 258-0300 8	1	Screw 3x8				



Key No.	Part Number	Q'ty	Description	Key No.	Part Number	Q'ty	Description
6-5	433 114-3813 0	1	Spring, flat	6-29	433 005-3813 0	1	Guard, sprocket
6	433 105-3813 0	1	Lever, brake	30	175 000-1983 0	1	Clutch assembly
7	433 113-3013 0	1	Pin, pivot	31	-175 019-1983 0	3	Plate
8	900 330-3526 0	1	Pin	32	-175 016-1983 0	1	Hub, clutch
9	433 137-3013 0	1	Nut	33	-175 018-1983 0	1	Spring, clutch
11	433 122-3813 0	1	Spring	34	-175 002-1983 0	1s	Shoe set, clutch
12	433 209-3543 0	1	STopper	35	-900 238-0400 8	6	Screw 4x8
13	433 116-3543 0	1	Collar	36	175 012-1983 0	1	Bearing, needle
14	433 208-3543 0	1	Connector	37	175 105-1983 1	1	Drum, clutch
15	900 345-4000 8	1	Pin, spring	38	175 114-1253 0	1	Sprocket, rim
16	433 142-3543 0	1	Adjuster	40	900 220-0301 8	1	Screw
17	433 123-3813 0	1	Band, brake	41	900 500-0000 3	1	Nut
18	433 310-3813 0	1	Cover, brake	47	880 211-3013 0	2	Bolt
19	900 252-0401 2	2	Screw	48	880 210-3243 0	1	Bumper, spiked
22	433 012-3083 0	1	Plate, outer	51	895 410-0283 0	1	Wrench w/screwdriver
23	900 241-0300 6	1	Screw 3x6	52	895 812-0393 0	1	Screwdriver
24	900 281-0400 8	1	Screw 4x8				
25	433 013-3083 0	1	Plate inner				
27	890 118-1833 1	1	Label				
28	433 019-1233 0	2	Nut				



Key No.	Part Number	Q'ty	Description	Key No.	Part Number	Q'ty	Description
7-	123 000-3243	2	Carburetor	22	-123 122-1613	0	Spring, metering lever
1	-123 110-1613	0	Screw	23	-123 137-1983	0	Valve, inlet needle
2	-123 124-1983	0	Cover, pump	24	-123 138-0393	0	Pin, metering lever
3	-123 125-1233	0	Gasket, pump	25	-123 139-0393	0	Screw
4	-123 112-1233	0	Diaphragm, pump	27	-123 140-1613	1	Gasket, metering diaphragm
5	-123 114-0393	0	Screw	28	-123 141-1613	1	Diaphragm, metering
6	-123 132-3243	0	Valve, choke	29	-123 142-1733	0	Cover, metering diaphragm
7	-123 136-1063	0	Ball	30	-123 130-0296	0	Screw
8	-123 135-1063	0	Spring	31	-123 168-1063	1	Screen
9	-123 126-1063	1	Screen, inlet	32	-123 169-1063	0	Ring, retaining
11	-123 113-1613	0	Spring, throttle return	33	-123 146-1733	0	Plug, Welch
12	-123 117-3263	0	Shaft, throttle	34	-123 178-1503	0	Plug, flection
13	-123 132-1613	0	Valve, throttle	35	-123 146-1063	0	Plug, Welch
14	-123 131-1983	0	Rod, choke control				
15	-123 156-1233	0	Stop, throttle				
16	-123 133-1113	0	Spring, idle screw				
18	-123 118-1833	0	Needle, idle				
19	-123 121-1613	0	Spring, needle				
20	-123 120-3243	0	Needle				
21	-123 123-1833	0	Lever, metering				


KIORITZ CORPORATION
 5-1, SHIMORENJAKU 7-CHOME, MITAKA, TOKYO 181, JAPAN
 PHONE:0422-48-6115 P.O. BOX 10 MITAKA TOKYO
 CABLE ADDRESS:KIORITZ MITAKA TELEX:KIORITZ A J26592