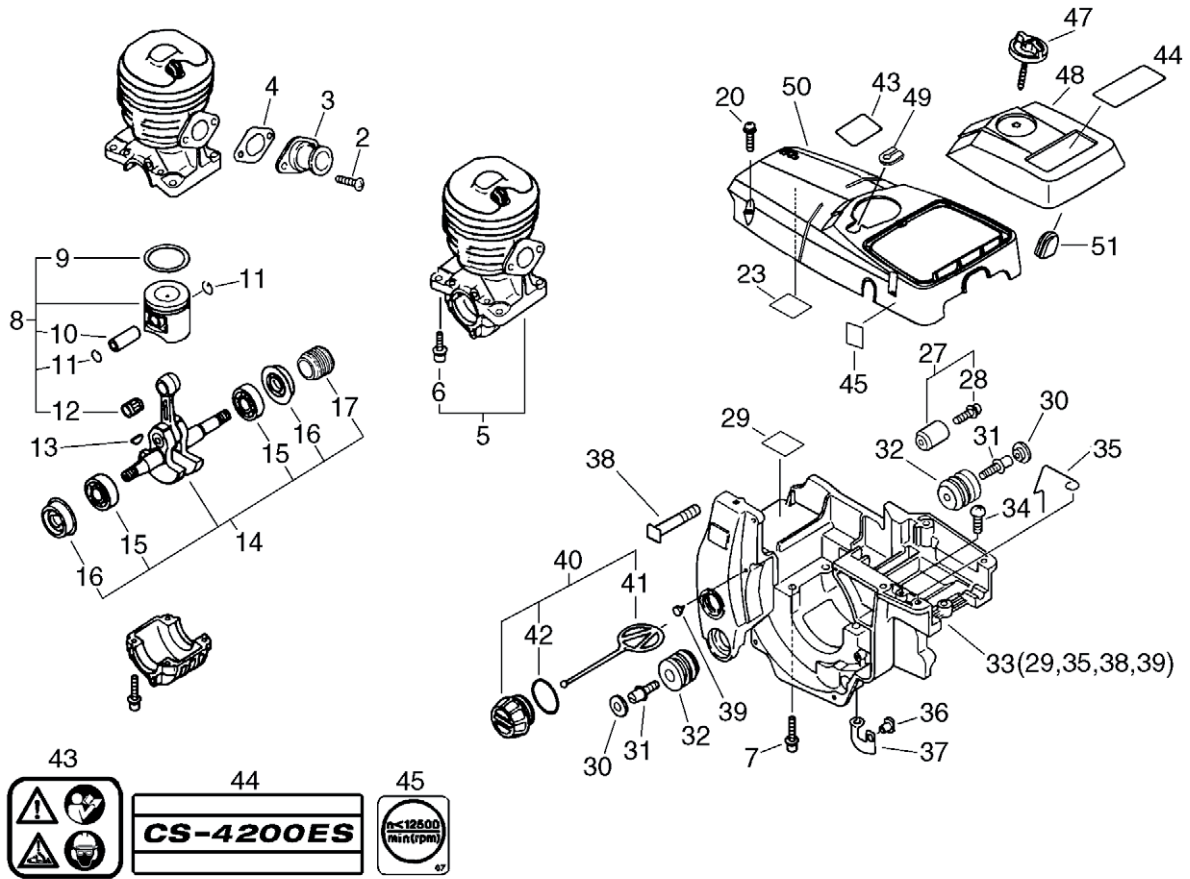


ECHO®



CS-4200 ES

No.1



Parts List

Date:24.11.2008 Page: 1

Group:Chain Saws Model:CS-4200ES Section:Cylinder, Crankcase, Piston

Key	Lv	Part Number	Q'ty	Description	Remarks	Note
2		900238-05012	2	SCREW 5*12		
3		130510-39932	1	ADAPTER, INTAKE		
4		130016-39930	1	GASKET, INTAKE		
5		P021-004131	1	CRANKCASE SET		
6 +		900162-05022	4	BOLT, H.S. 5*22		
7		900162-05030	4	BOLT, H.S. 5*30		
8		100000-59531	1	PISTON KIT		
9 +		100011-37330	1	RING, PISTON		
10 +		100013-35430	1	PIN, PISTON		
11 +		100015-03931	2	CIRCLIP, PISTON PIN		
12 +		100012-35430	1	BEARING, NEEDLE		
13		100142-39130	1	KEY, WOODRUFF		
14		P021-007240	1	CRANKSHAFT ASY		
15 +		900888-36201	2	BEARING, BALL 6201		
16 +		V505-000010	2	SEAL,OIL 12		
17 +		437063-38330	1	GEAR, WORM		
20		163890-38330	3	BOLT, 5		
23		101520-35430	1	COVER		
27		433000-60930	1	CATCHER KIT, CHAIN		
28 +		900253-05020	1	SCREW 5*20		
30		100918-19830	2	CAP, CUSHION		
31		100915-33930	2	SCREW		
32		100910-60030	2	CUSHION		
33		P021-007180	1	COVER, ENGINE		
29 +		101520-35430	1	COVER		
35 +		606416-60631	1	WIRE		
38 +		433011-19830	2	STUD, GUIDE BAR		
39 +		436114-13930	1	VALVE, CHECK		

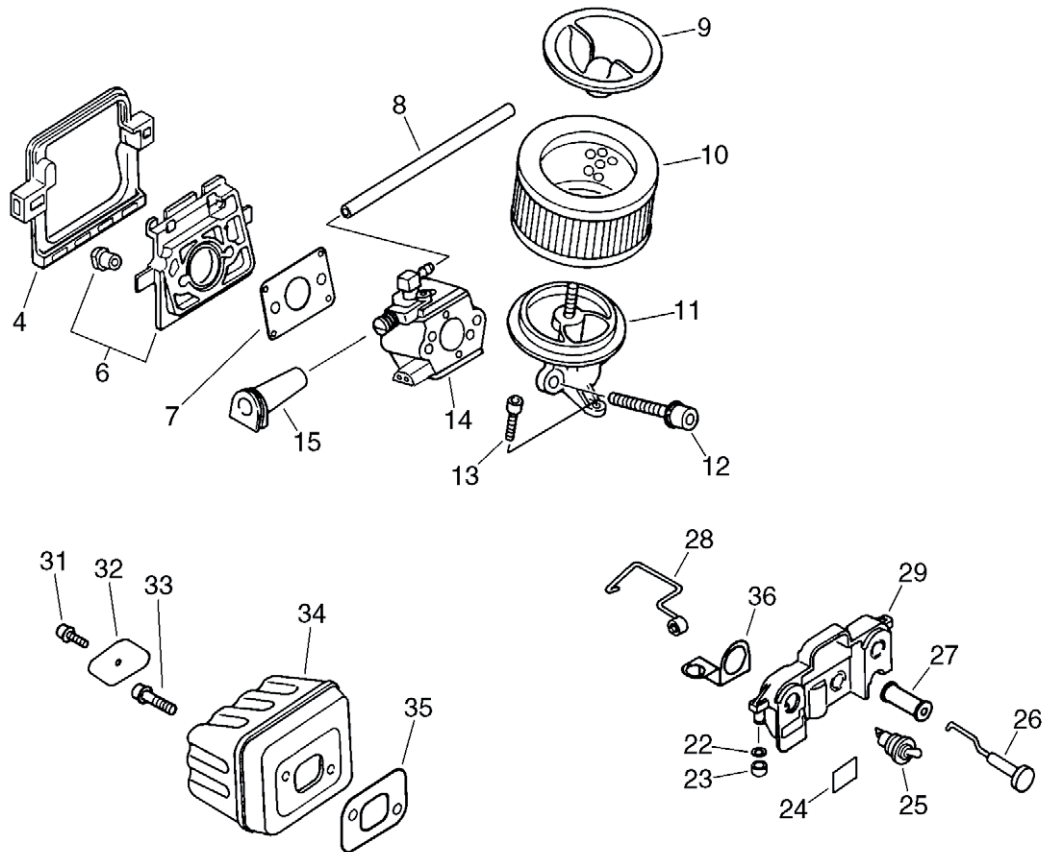
Parts List

Group:Chain Saws Model:CS-4200ES Section:Cylinder, Crankcase, Piston

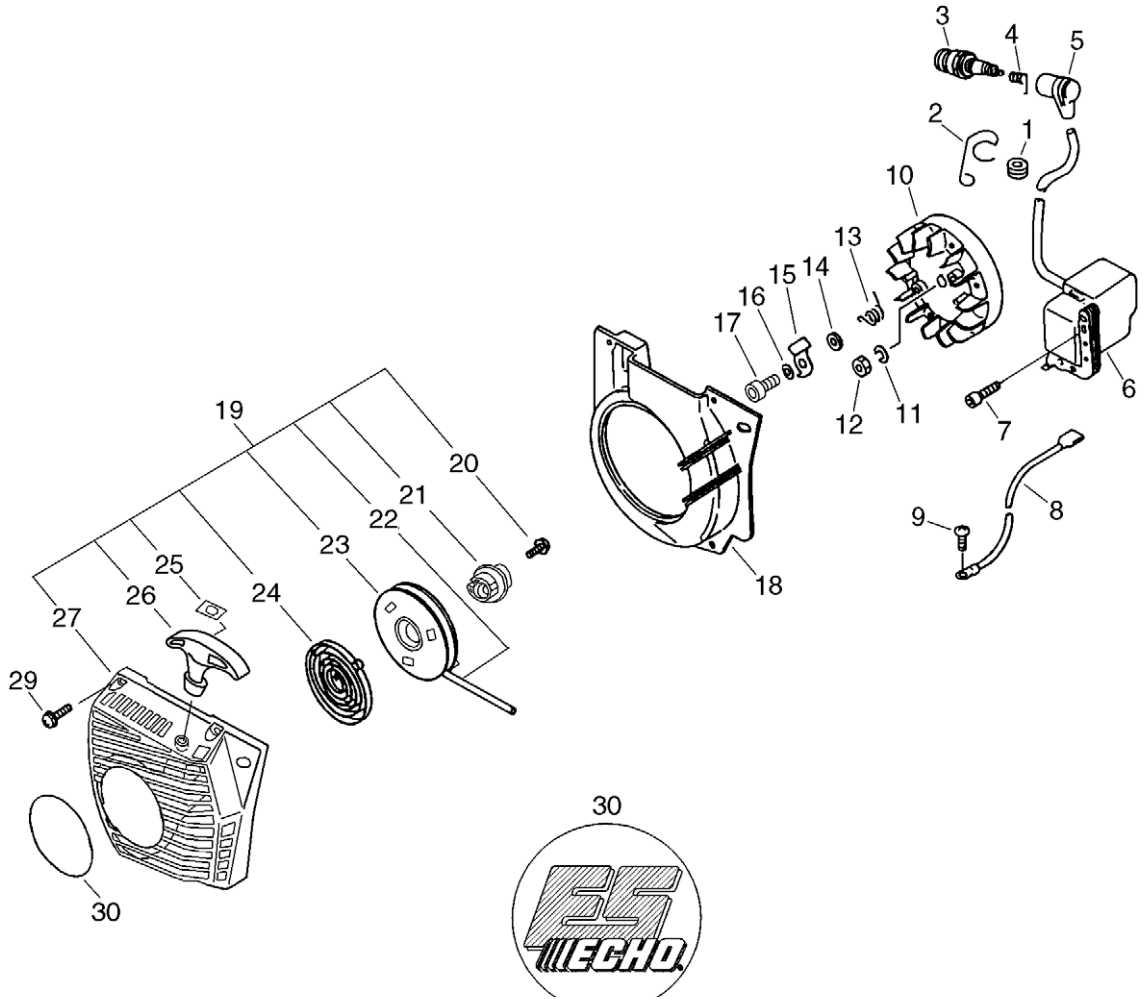
Key	Lv	Part Number	Q'ty	Description	Remarks	Note
34		900253-04008	1	SCREW 4*8		
36		130020-60630	2	NUT 5		
37		162011-60630	1	PLATE, GROUND		
40		436001-65631	1	CAP, OIL	Sus. by 436001-39232	
40		436001-39232	1	CAP, OIL		
41	+	A365-000050	1	CONNECTOR, CAP		
42	+	900725-02025	1	O-RING	Sus. by 900721-00025	
42	+	900721-00025	1	O-RING		
43		890345-39230	1	LABEL, CAUTION		
44		X503-006140	1	LABEL, MODEL	Sus. by X503-006141	
44		X503-006141	1	LABEL, MODEL		
45		890631-38130	1	LABEL, CAUTION		
47		A235-000020	1	KNOB, CLEANER LID		
48		A232-000020	1	LID, CLEANER	Sus. by A232-000021	
48		A232-000021	1	LID, CLEANER		
49		V135-000010	1	GROMMET, HT CORD		
50		A160-000014	1	COVER, CYLINDER		
51		130338-32430	1	PLUG, COVER		

Group:Chain Saws Model:CS-4200ES Section:Air Cleaner, Muffler

No.2



No.3



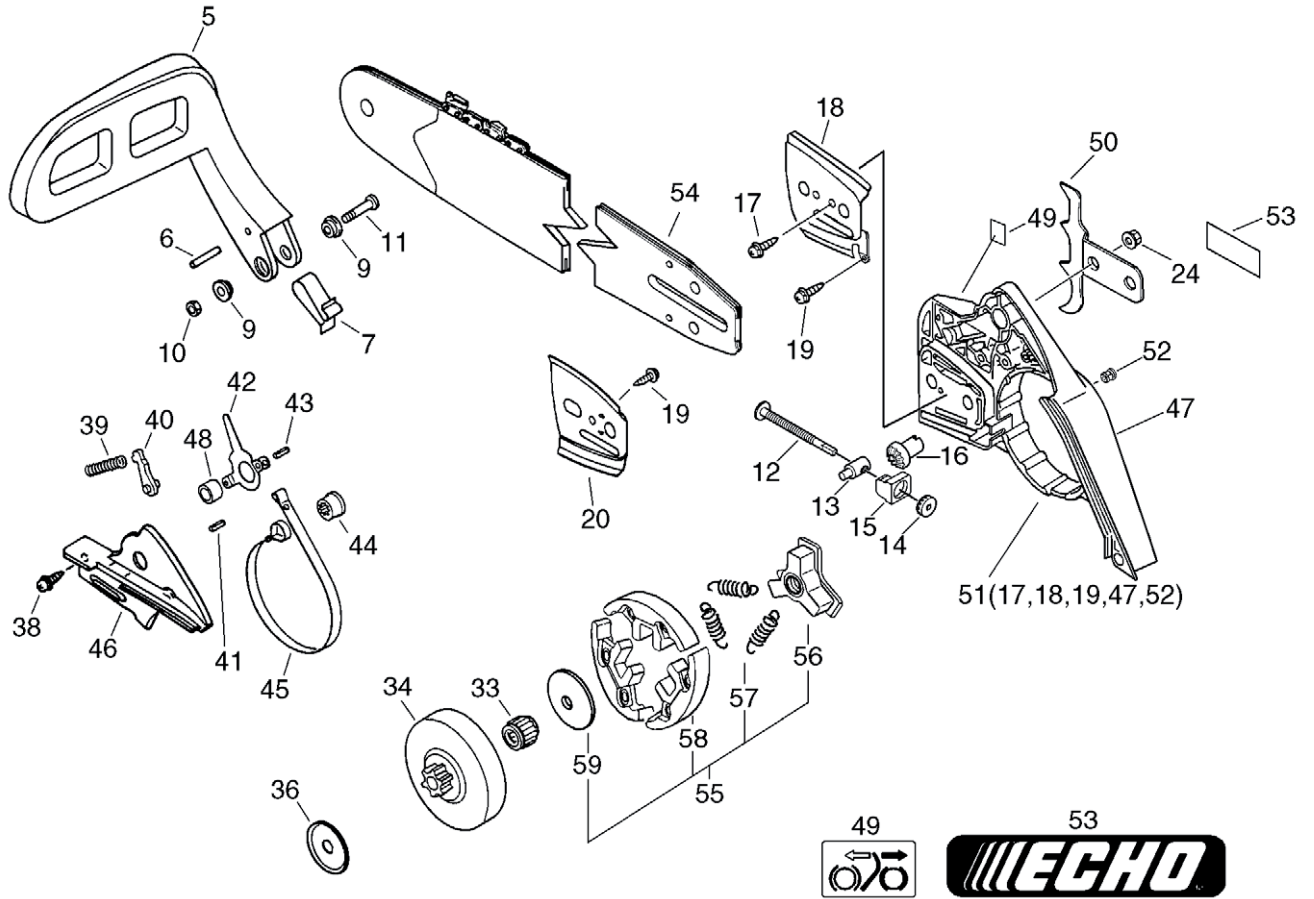
Parts List

Date:24.11.2008 Page: 1

Group:Chain Saws Model:CS-4200ES Section:Starter, Magneto

Key	Lv	Part Number	Q'ty	Description	Remarks	Note
1		151112-04630	1	BUSHING		
2		159118-39930	1	GUIDE, CORD		
3		159017-31730	1	PLUG, SPARK RCJ-6Y	Sus. by 159010-10230	
3		159010-10230	1	PLUG, SPARK (BPMR-7A		
4		A426-000010	1	TERMINAL, SPARKPLUG		
5		A427-000011	1	CAP, SPARK PLUG	Sus. by A427-000012	
5		A427-000012	1	CAP, SPARK PLUG		
6		156626-60630	1	COIL, IGNITION		
7		900162-05022	2	BOLT, H.S. 5*22		
8		156630-39930	1	LEAD, GROUND		
9		900216-04006	1	SCREW		
10		156801-60630	1	FLYWHEEL		
11		900605-00008	1	WASHER, SPRING 8		
12		900500-00008	1	NUT 8		
13		177234-35430	2	SPRING, RETURN		
14		177247-04630	2	SPACER, RATCHET		
15		177218-35430	2	PAWL, STARTER		
16		900603-00005	2	WASHER 5		
17		900105-05014	2	BOLT, H.S. 5*14	Sus. by V203-000090	
17		V203-000090	2	BOLT, 5		
18		101535-39932	1	COVER, FAN		
19		A051-000581	1	STARTER, RECOIL		
20	+	P022-004630	1	SCREW		
21	+	A507-000010	1	CATCHER, PAWL		
22	+	P022-006230	1	ROPE		
23	+	P022-006240	1	REEL COMP		
24	+	P022-006250	1	SPRING, SPIRAL		
25	+	177246-11120	1	CLIP, STARTER ROPE		

No.5



Parts List

Date:24.11.2008 Page: 1

Group:Chain Saws Model:CS-4200ES Section:Clutch, Sprocket

Key	Lv	Part Number	Q'ty	Description	Remarks	Note
5		433105-60030	1	LEVER, BRAKE		
6 +		900330-30240	1	PIN 3*24		
7 +		433114-38331	1	SPRING		
9		433167-39130	2	SPACER		
10		900560-00005	1	NUT, LOCK 5	Sus. by 900562-50005	
10		900562-50005	1	NUT, LOCK 5		
11		91318-05032	1	SCREW		
12		V203-000041	1	BOLT, 5		
13		C309-000030	1	TENSIONER, CHAIN		
14		V651-000011	1	GEAR, BEVEL		
15		V355-000270	1	COLLAR, 8		
16		V651-000001	1	GEAR, BEVEL		
19		900253-04008	1	SCREW 4*8		
20		433012-39930	1	PLATE, GUIDE		
24		433019-12330	2	NUT, FLANGE 8		
33		175012-00831	1	BEARING, NEEDLE		
34		A556-000171	1	DRUM, CLUTCH		
36		175019-38330	1	PLATE, CLUTCH		
38		900253-04010	2	SCREW 4*10		
39		433122-35430	1	SPRING, BRAKE		
40		433209-35430	1	STOPPER, BRAKE		
41		900342-25012	1	PIN, SPRING 2.5*12		
42		433208-35431	1	LEVER, BRAKE		
43		900330-40088	1	ROLLER 4*8.8		
44		433142-35430	1	ADJUSTER, BRAKE		
45		C328-000060	1	BAND, BRAKE		
46		433310-38330	1	COVER, BRAKE		
48		433115-38330	1	WASHER 5.2*12*14		

Parts List

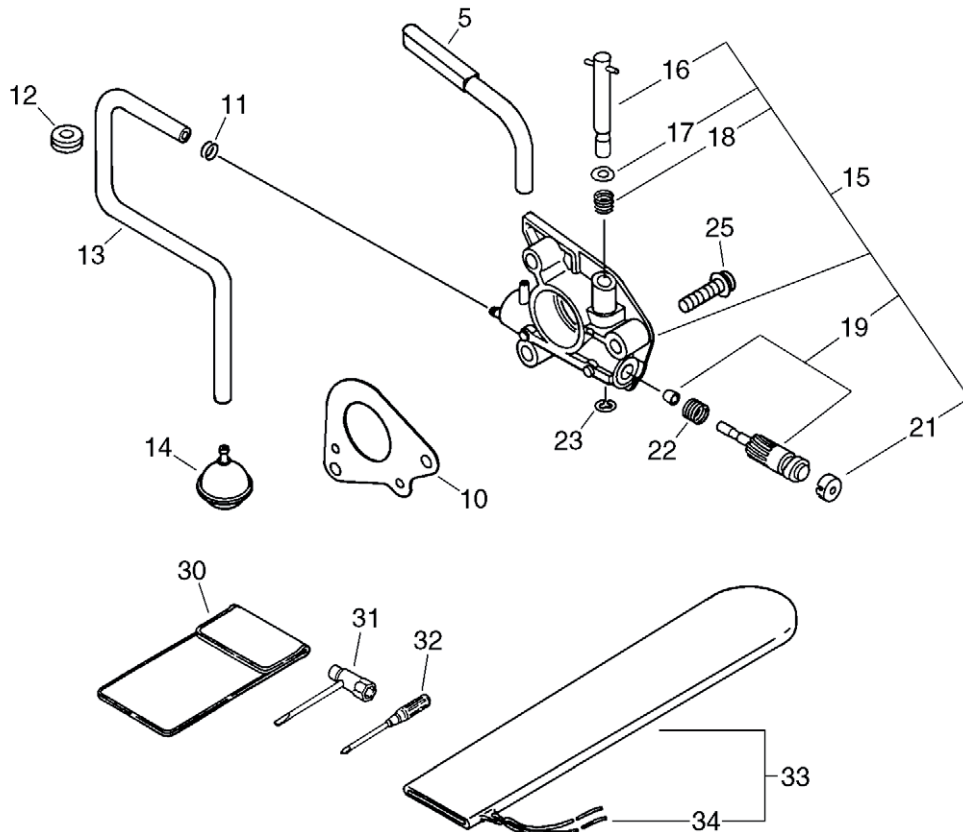
Date:24.11.2008 Page: 2

Group:Chain Saws Model:CS-4200ES Section:Clutch, Sprocket

Key	Lv	Part Number	Q'ty	Description	Remarks	Note
49		890316-39130	1	LABEL, CAUTION	Sr/Nr 36014810 and before	
50		880210-36031	1	BUMPER, SPIKED		
51		P021-001312	1	GUARD, SPROCKET SET		
17	+	900220-03006	1	SCREW 3*6		
18	+	C305-000011	1	PLATE, SPROCKET GUARD		
19	+	900253-04008	1	SCREW 4*8		
47	+	433005-60935	1	GUARD, SPROCKET		
52	+	V162-000020	1	PLUG		
53		X502-000020	1	LABEL, ECHO		
54		430521-37331	1	BAR, GUIDE 38RD58-325	Sus. by 430521-37332	
54		430521-37332	1	BAR, GUIDE 38RD58-325	OPTION	
55		P021-007060	1	CLUTCH ASY W/PLATE		
56	+	A552-000060	1	HUB, CLUTCH		
57	+	V451-000500	3	SPRING, TENSION		
58	+	P021-007050	1	CLUTCH SHOE SET		
59	+	175019-39430	1	PLATE, CLUTCH		

Group:Chain Saws Model:CS-4200ES Section:Auto-Oiler, Tools

No.6



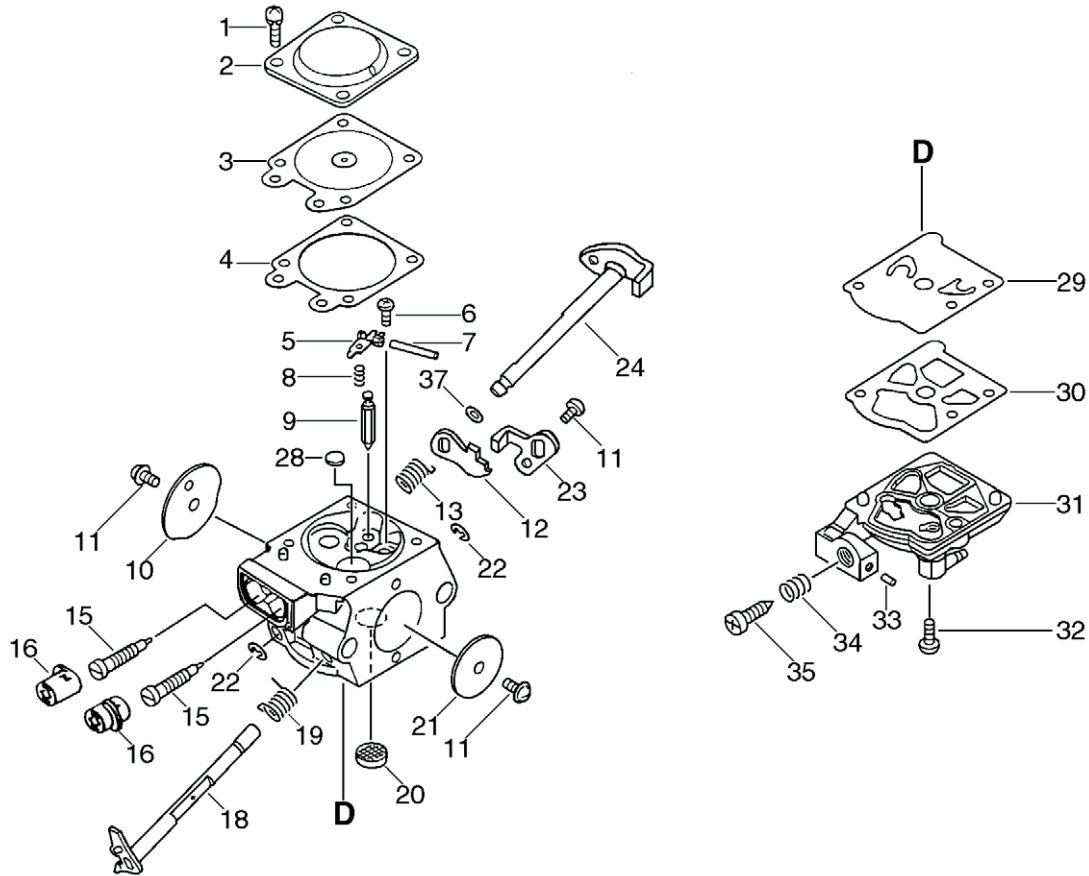
Parts List

Group:Chain Saws Model:CS-4200ES Section:Auto-Oiler, Tools

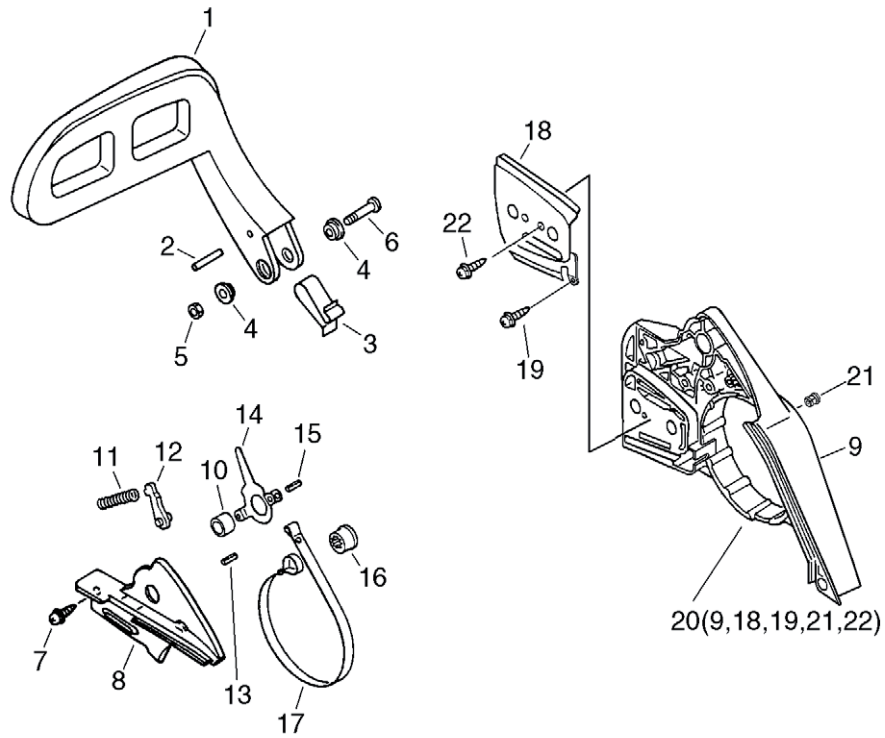
Key	Lv	Part Number	Q'ty	Description	Remarks	Note
5		437210-39931	1	PIPE		
10		175310-38330	1	PLATE, SEAL		
11		132013-26630	1	CLIP		
12		132115-12330	1	GROMMET		
13		437210-35430	1	PIPE		
14		436205-14730	1	STRAINER, OIL		
15		437002-38330	1	AUTO-OILER ASSY		
16 +		437016-38330	1	NEEDLE, ADJUST		
17 +		437029-37330	1	WASHER		
18 +		437015-37330	1	SPRING		
19 +		437024-37330	1	PLUNGER		
21 +		437062-38330	1	CAP, OIL PUMP		
22 +		437019-38330	1	SPRING		
23 +		123127-15030	1	RING		
25		900223-04016	2	SCREW		
30		898510-39130	1	BAG, TOOL		
31		895410-02830	1	WRENCH, W/S. DRIVER		
32		895812-03930	1	DRIVER, SCREW 50		
33		898513-38330	1	SCABBARD, GUIDE BAR	OPTION	
34 +		898568-14530	1	ROPE	OPTION	

Group:Chain Saws Model:CS-4200ES Section:Carburetor

No.7



No.8



Parts List

Date:24.11.2008 Page: 1

Group:Chain Saws Model:CS-4200ES Section:Chain Brake Asy

Key	Lv	Part Number	Q'ty	Description	Remarks	Note
		C032-000016	1	BRAKE,ASM CHAIN	Sus. by C032-000017	
		C032-000017	1	BRAKE,ASM CHAIN		
1	+	433105-60030	1	LEVER, BRAKE		
2	++	900330-30240	1	PIN 3*24		
3	++	433114-38331	1	SPRING		
4	+	433167-39130	2	SPACER		
5	+	900560-00005	1	NUT, LOCK 5	Sus. by 900562-50005	
5	+	900562-50005	1	NUT, LOCK 5		
6	+	91318-05032	1	SCREW		
7	+	900253-04010	2	SCREW 4*10		
8	+	433310-38330	1	COVER, BRAKE		
10	+	433115-38330	1	WASHER 5.2*12*14		
11	+	433122-35430	1	SPRING, BRAKE		
12	+	433209-35430	1	STOPPER, BRAKE		
13	+	900342-25012	1	PIN, SPRING 2.5*12		
14	+	433208-35431	1	LEVER, BRAKE		
15	+	900330-40088	1	ROLLER 4*8.8		
16	+	433142-35430	1	ADJUSTER, BRAKE		
17	+	C328-000060	1	BAND, BRAKE		
20	+	P021-001312	1	GUARD, SPROCKET SET		
9	++	433005-60935	1	GUARD, SPROCKET		
18	++	C305-000011	1	PLATE, SPROCKET GUARD		
19	++	900253-04008	1	SCREW 4*8		
21	++	V162-000020	1	PLUG		
22	++	900220-03006	1	SCREW 3*6		