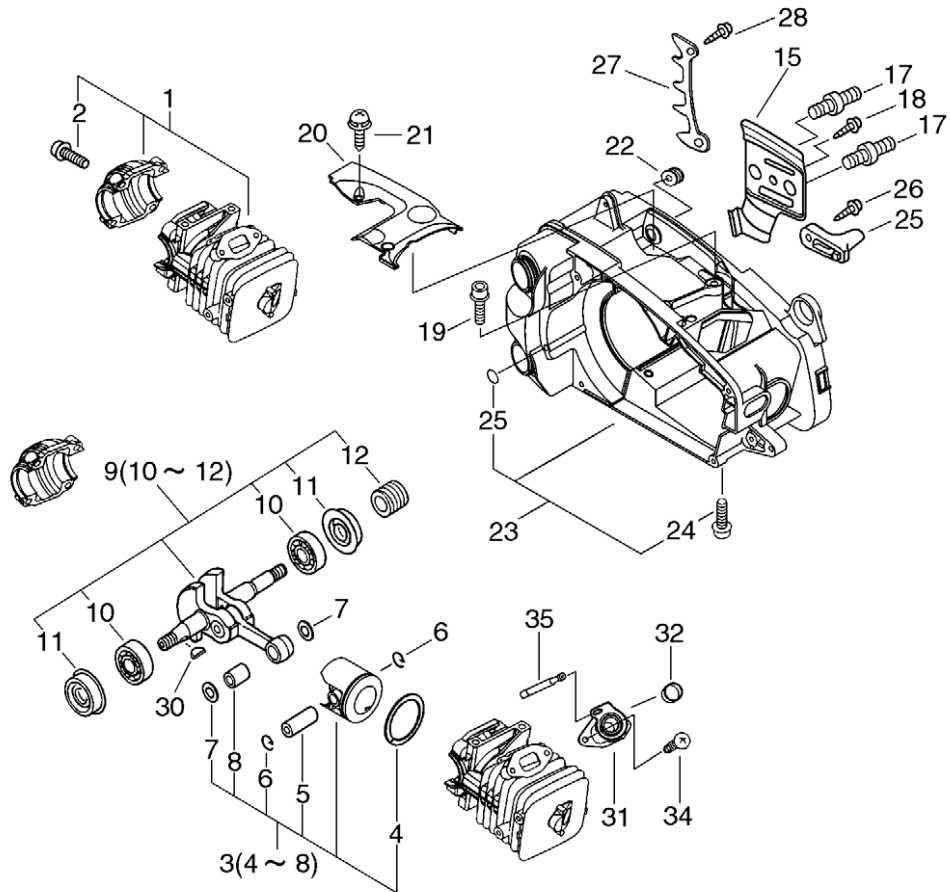


ECHO®



CS-350 TES

No.1



Parts List

Date:24.11.2008 Page: 1

Group:Chain Saws Model:CS-350TES Section:Cylinder, Crankcase, Piston

Key	Lv	Part Number	Q'ty	Description	Remarks	Note
1		P021-004921	1	CRANKCASE SET	Sus. by P021-009250	
1		P021-009250	1	CRANKCASE SET		
2 +		900162-05025	4	BOLT, H.S. 5*25		
3		P021-004931	1	PISTON KIT	Sus. by P021-009230	
3		P021-004932	1	PISTON KIT	Sus. by P021-009230	
3		P021-009230	1	PISTON KIT		
4 +		100011-13330	1	RING, PISTON	Sus. by A101-000120	
4 +		A101-000120	1	RING, PISTON		
5 +		100013-15330	1	PIN, PISTON		
6 +		100015-04630	2	CIRCLIP, PISTON PIN		
7 +		100014-60930	2	SPACER, PISTON PIN		
8 +		V553-000040	1	BEARING, NEEDLE 8		
9		P021-004940	1	CRANKSHAFT ASY	Sus. by P021-004941	
9		P021-004941	1	CRANKSHAFT ASY	Sr/Nr 36007533 and before	
9		P021-005511	1	CRANKSHAFT ASY	Sr/Nr 36007534 and after	
10 +		94035-36201	2	BEARING BALL		
11 +		V505-000010	2	SEAL, OIL 12		
12 +		V652-000010	1	GEAR, WORM		
15		C305-000070	1	PLATE, SPROCKET GUARD		
17		433011-03931	2	STUD, GUIDE BAR		
18		900253-04010	1	SCREW 4*10		
19		900106-05020	4	BOLT, H.S. 5*20	Sr/Nr 36005000 and before	
19		900106-05020	2	BOLT, H.S. 5*20	Sr/Nr 36005001 and after	
20		A127-000050	1	COVER, DUST		
21		900253-04012	2	SCREW		
22		163911-30130	1	PLUG		
23		P021-008670	1	COVER ENGINE	Sus. by P021-008675	
23		P021-008671	1	COVER ENGINE	Sus. by P021-008675	

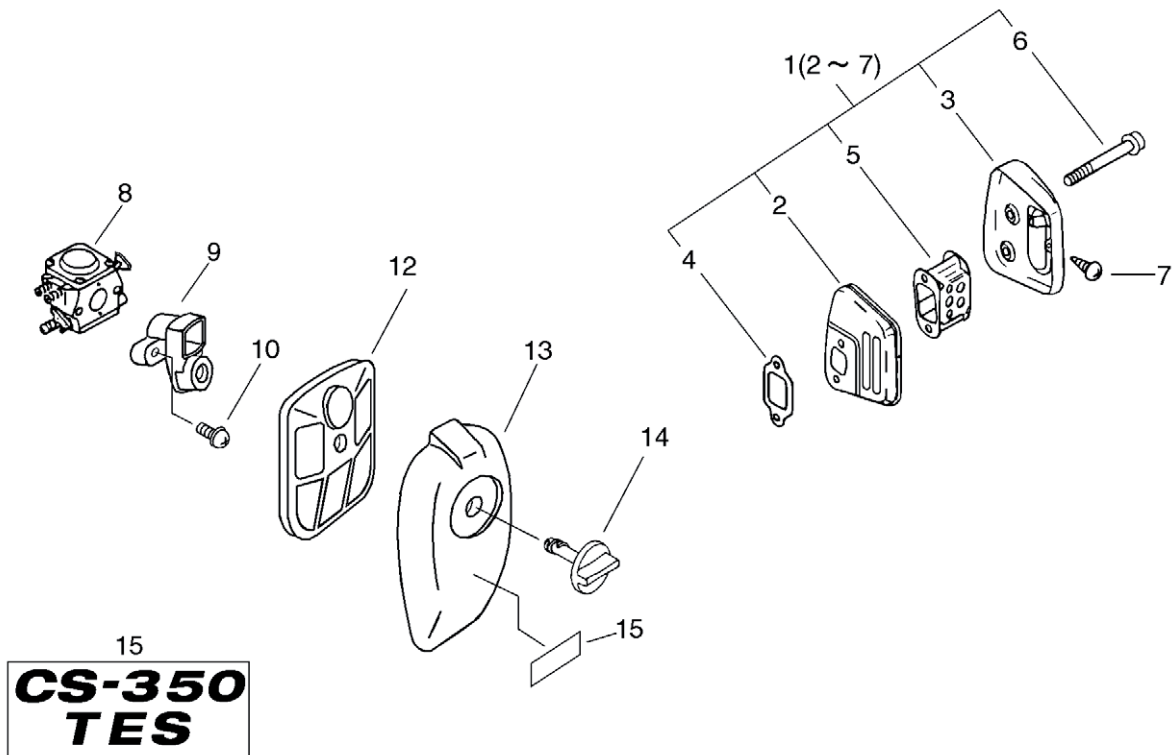
Parts List

Group:Chain Saws Model:CS-350TES Section:Cylinder, Crankcase, Piston

Key	Lv	Part Number	Q'ty	Description	Remarks	Note
23		P021-008672	1	COVER ENGINE	Sus. by P021-008675	
23		P021-008673	1	COVER ENGINE	Sus. by P021-008675	
23		P021-008674	1	COVER ENGINE	Sus. by P021-008675	
23		P021-008675	1	COVER ENGINE		
24	+	900106-05030	2	BOLT, H.S. 5*30	Sr/Nr 36005001 and after	
25	+	900724-00004	1	O-RING (S-4)	Sr/Nr 36006934 and after	
26		900253-05020	1	SCREW 5*20		
27		C304-000000	1	SPIKE		
28		900253-05020	1	SCREW 5*20		
30		100142-12330	1	KEY, WOODRUFF		
31		A202-000032	1	BELLOWS, INTAKE		
32		V359-000060	1	COLLAR, 16		
34		91420-05012	2	SCREW		
35		V470-000481	1	PIPE		
36		433026-35430	1	CATCHER, CHAIN		

Group:Chain Saws Model:CS-350TES Section:Air Cleaner, Muffler

No.2



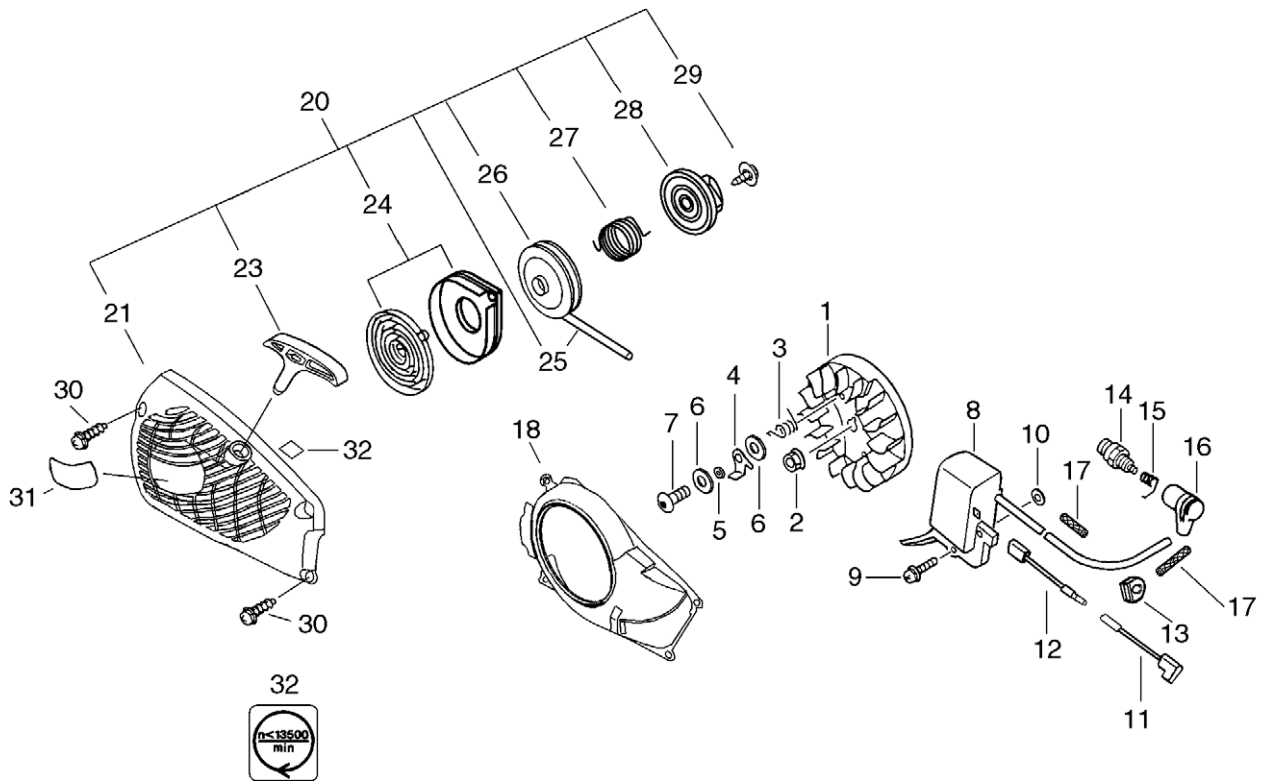
Parts List

Group:Chain Saws Model:CS-350TES Section:Air Cleaner, Muffler

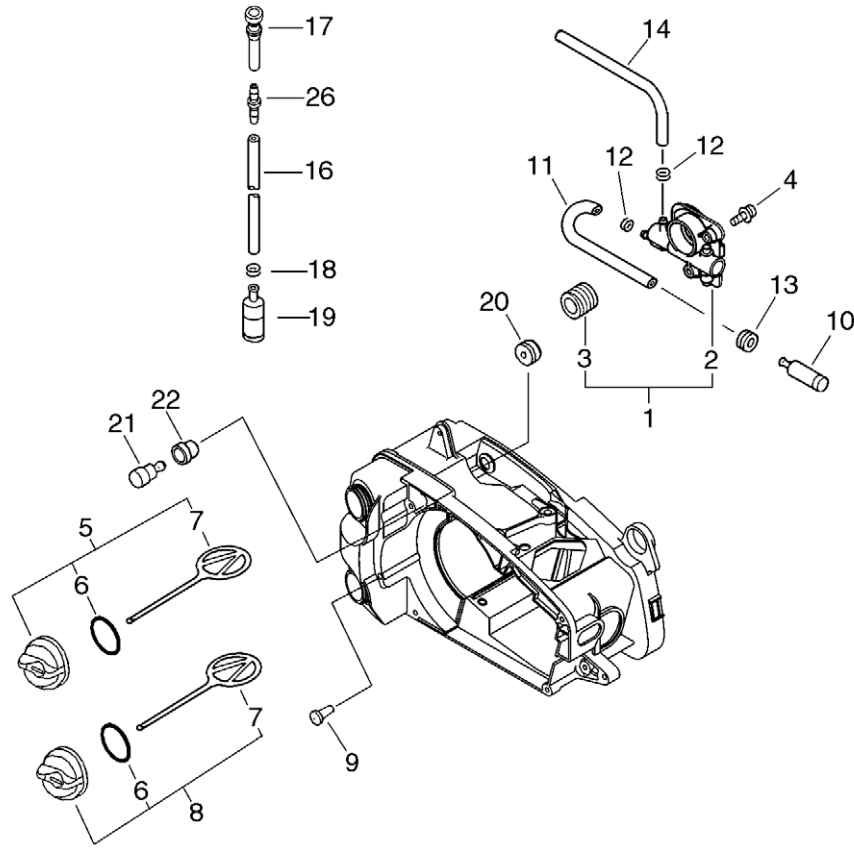
Key	Lv	Part Number	Q'ty	Description	Remarks	Note
1		P021-004952	1	MUFFLER ASY		
2	+	A300-000370	1	MUFFLER, EXHAUST		
3	+	P021-008650	1	MUFFLER LID ASY		
4	+	145510-13931	1	GASKET, MUFFLER		
5	+	A301-000000	1	PLATE, MUFFLER		
6	+	91107-05040	2	BOLT HSH FLANGE		
7	+	900250-04008	1	SCREW 4*8		
8		A021-000850	1	CARBURETOR, DIAPHRAGM	Sus. by A021-000861	
8		A021-000851	1	CARBURETOR, DIAPHRAGM	Sus. by A021-000861	
8		A021-000861	1	CARBURETOR, DIAPHRAGM		
9		A204-000040	1	ELBOW, CARBURETOR	Sus. by A204-000041	
9		A204-000041	1	ELBOW, CARBURETOR		
10		900238-05050	2	SCREW 5*50		
12		A226-000180	1	ELEMENT, AIR FILTER		
13		A232-000160	1	LID, CLEANER		
14		A235-000040	1	KNOB, CLEANER LID		
15		X503-006190	1	LABEL, MODEL		

Group:Chain Saws Model:CS-350TES Section:Starter, Magneto

No.3



No.4



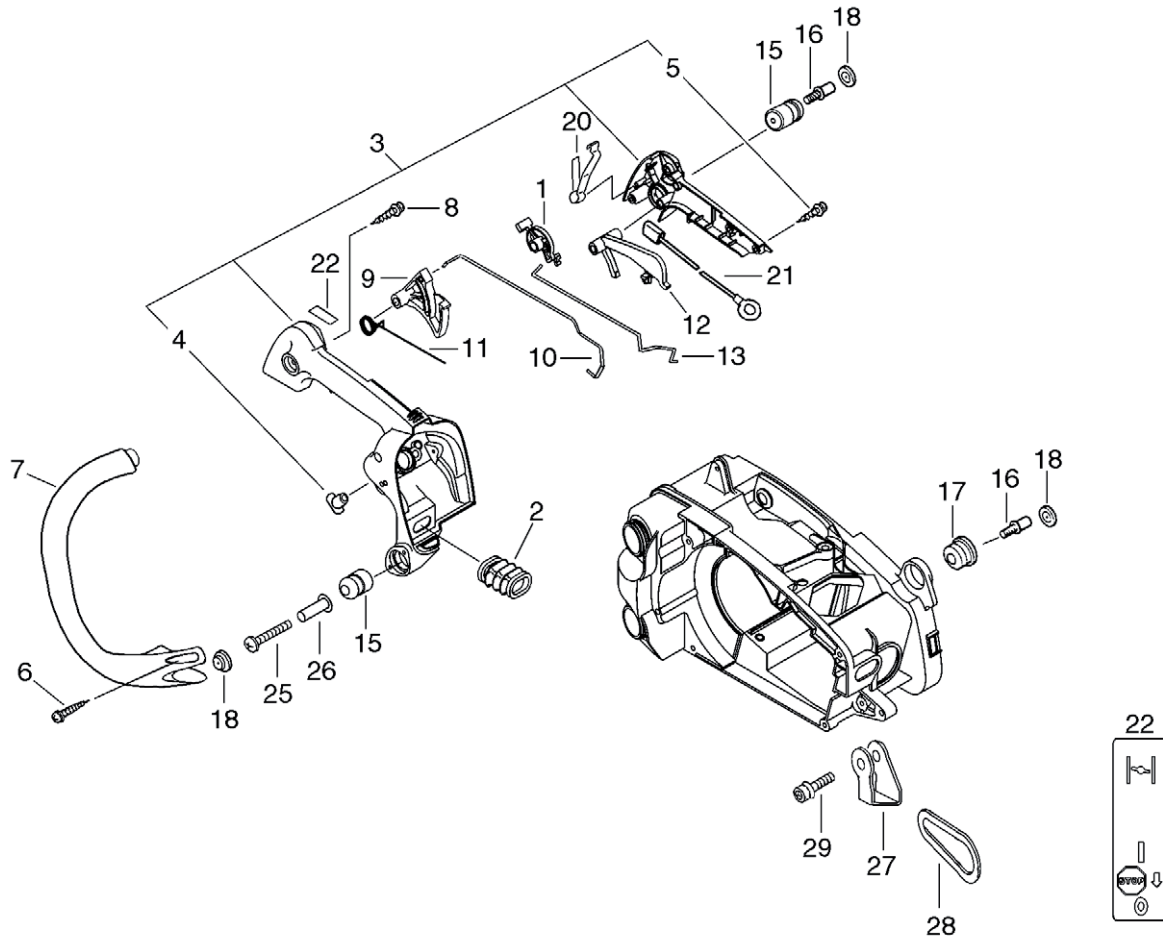
Parts List

Date:24.11.2008 Page: 1

Group:Chain Saws Model:CS-350TES Section:Auto-Oiler

Key	Lv	Part Number	Q'ty	Description	Remarks	Note
1		P021-001980	1	AUTO-OILER ASY		
2	+	C022-000000	1	OILER,ASM AUTO		
3	+	V652-000010	1	GEAR,WORM		
4		900238-04012	2	SCREW 4*12		
5		P021-005591	1	FUEL CAP ASY		
6	+	900720-00018	1	O-RING 18		
7	+	A365-000050	1	CONNECTOR,CAP		
8		P021-005581	1	OIL CAP ASY		
6	+	900720-00018	1	O-RING 18		
7	+	A365-000050	1	CONNECTOR,CAP		
9		436114-13930	1	VALVE, CHECK		
10		436205-02832	1	STRAINER, OIL		
11		V471-000740	1	PIPE		
12		132013-26630	1	CLIP	Sr/Nr 36006933 and before	
12		132013-26630	2	CLIP	Sr/Nr 36006934 after	
13		132115-01461	1	GROMMET, FUEL		
14		V471-000760	1	PIPE		
16		V471-000750	1	PIPE		
17		V470-000320	1	PIPE		
18		132013-09820	1	CLIP		
19		131205-14930	1	STRAINER, FUEL		
20		V137-000020	1	GROMMET,FUEL		
21		131300-56430	1	VALVE, CHECK		
22		V137-000000	1	GROMMET,FUEL		
26		V186-000020	1	JOINT,PIPE		

No.5



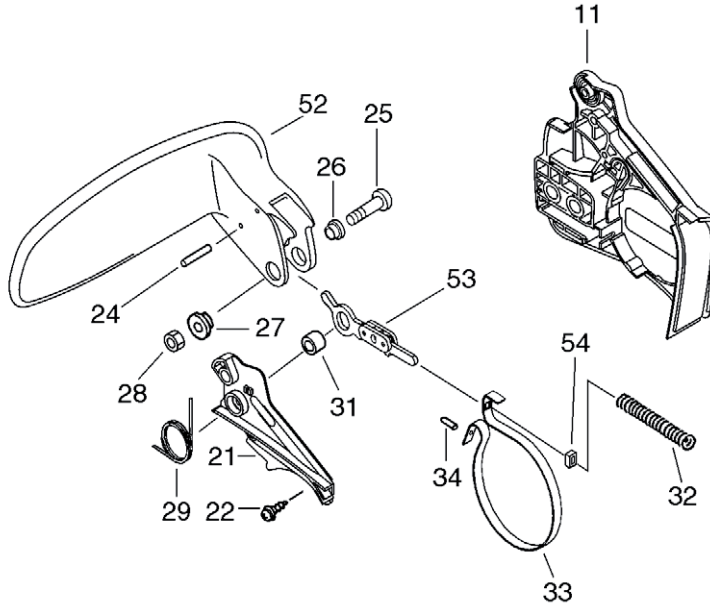
Parts List

Date:24.11.2008 Page: 1

Group:Chain Saws Model:CS-350TES Section:Handle

Key	Lv	Part Number	Q'ty	Description	Remarks	Note
1		A253-000043	1	LEVER, CONTROL		
2		A239-000000	1	PIPE, INTAKE		
3		P021-004965	1	HANDLE SET, REAR	Sus. by P021-004969	
3		P021-004966	1	HANDLE SET, REAR	Sus. by P021-004969	
3		P021-004967	1	HANDLE SET, REAR	Sus. by P021-004969	
3		P021-004968	1	HANDLE SET, REAR	Sus. by P021-004969	
3		P021-004969	1	HANDLE SET, REAR		
4 +		130020-33330	2	NUT		
5 +		900256-04016	4	SCREW 4*16		
6		900256-04016	2	SCREW 4*16		
7		C400-000160	1	HANDLE, FRONT		
8		900253-05020	1	SCREW 5*20		
9		C450-000010	1	TRIGGER, THROTTLE		
10		C454-000070	1	ROD, THROTTLE		
11		V452-000010	1	SPRING, TORSION		
12		C460-000002	1	LOCKOUT, THROTTLE		
13		A240-000001	1	ROD, CHOKE	Sus. by A240-000010	
13		A240-000010	1	ROD, CHOKE		
15		V400-000020	2	CUSHION, 4		
16		V202-000000	2	BOLT, 4		
17		100910-18830	1	CUSHION		
18		100918-15130	3	CAP		
20		V486-000010	1	TERMINAL, LEAD		
21		V485-000340	1	LEAD		
22		X524-000910	1	LABEL		
25		91481-04035	1	SCREW TAPPING		
26		V352-000020	1	COLLAR, 4		
27		C626-000040	1	FIXTURE, HARNESS		

No.7



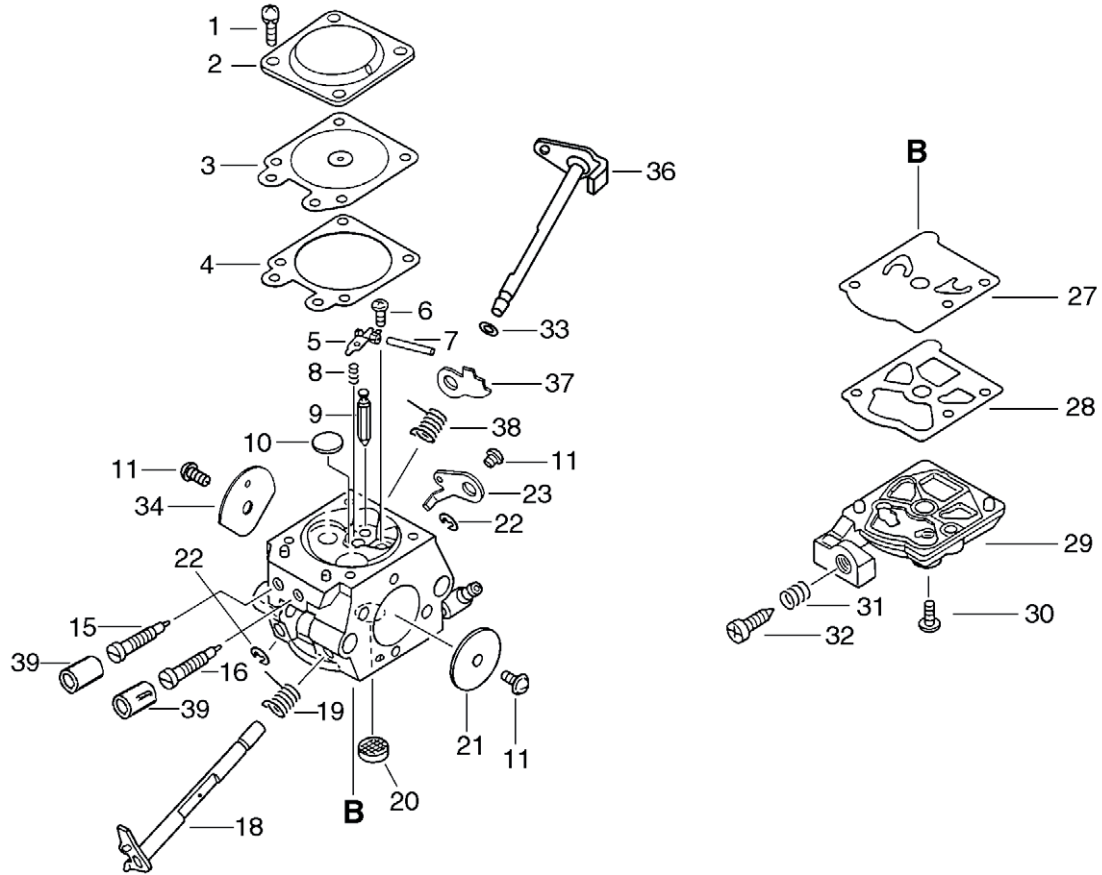
Parts List

Date:24.11.2008 Page: 1

Group:Chain Saws Model:CS-350TES Section:Chain Brake Asy

Key	Lv	Part Number	Q'ty	Description	Remarks	Note
		C032-000200	1	BRAKE,ASM CHAIN	Sus. by C032-000203	
		C032-000201	1	BRAKE,ASM CHAIN	Sus. by C032-000203	
		C032-000202	1	BRAKE,ASM CHAIN	Sus. by C032-000203	
		C032-000203	1	BRAKE,ASM CHAIN		
11	+	C300-000240	1	GUARD,SPROCKET	Sus. by C300-000241	
11	+	C300-000241	1	GUARD,SPROCKET		
21	+	C345-000082	1	COVER,BRAKE	Sus. by C345-000084	
21	+	C345-000083	1	COVER,BRAKE	Sus. by C345-000084	
21	+	C345-000084	1	COVER,BRAKE		
22	+	900253-04012	3	SCREW		
24	+	900330-30260	2	ROLLER 3*26		
25	+	91318-05032	1	SCREW		
26	+	433167-39130	1	SPACER		
27	+	V353-000060	1	COLLAR, 5		
28	+	900560-00005	1	NUT, LOCK 5	Sus. by 900562-50005	
28	+	900562-50005	1	NUT, LOCK 5		
29	+	V452-000110	1	SPRING,TORSION		
31	+	433116-35430	1	SPACER 8		
32	+	V450-000070	1	SPRING,COMPRESSION		
33	+	C328-000030	1	BAND,BRAKE		
34	+	93050-30098	1	ROLLER		
52	+	C320-000032	1	LEVER,BRAKE		
53	+	C334-000060	1	CONNECTOR,BRAKE	Sus. by C334-000070	
53	+	C334-000070	1	CONNECTOR,BRAKE		
54	+	V376-000540	1	SPACER	Sr/Nr 36001760 and before	
54	+	V376-000450	1	SPACER	Sr/Nr 36001761 and after	

No.8



Parts List

Date:24.11.2008 Page: 1

Group:Chain Saws Model:CS-350TES Section:Carburetor(Sr/Nr 36010653 and before)

Key	Lv	Part Number	Q'ty	Description	Remarks	Note
		A021-000850	1	CARBURETOR,DIAPHRAGM	Sus. by A021-000851	
		A021-000851	1	CARBURETOR,DIAPHRAGM	Sr/Nr 36010653 and before	
1 +		123130-02960	4	SCREW		
2 +		123142-03930	1	COVER, M. DIAPHRAGM		
3 +		123141-03930	1	DIAPHRAGM, METERING		
4 +		123140-03930	1	GASKET, M. DIAPHRAGM		
5 +		123123-03930	1	LEVER, METERING		
6 +		123139-03930	1	SCREW, M. LEVER PIN		
7 +		123138-03930	1	PIN, METERING LEVER		
8 +		123122-03660	1	SPRING, METER. LEVER		
9 +		123137-19830	1	VALVE, INLET NEEDLE		
10 +		123146-10631	1	PLUG, WELCH		
11 +		123114-38830	3	SCREW		
15 +		123118-39231	1	NEEDLE, IDLE		
16 +		123118-02261	1	NEEDLE, IDLE		
18 +		P003-000480	1	SHAFT, THROTTLE		
19 +		123113-37530	1	SPRING, THROTTLE RTN		
20 +		123126-10631	1	SCREEN, INLET		
21 +		123116-03930	1	VALVE, THROTTLE	Sr/Nr 36007533 and before	
21 +		123116-10530	1	VALVE, THROTTLE	Sr/Nr 36007534 to 36010653	
22 +		123127-15030	2	RING		
23 +		P003-000380	1	THROTTLE, LEVER		
27 +		123112-15030	1	DIAPHRAGM, FUEL PUMP		
28 +		123125-15030	1	GASKET, FUEL PUMP		
29 +		123124-24430	1	COVER, FUEL PUMP		
30 +		123110-03930	1	SCREW, PUMP COVER		
31 +		123133-04260	1	SPRING, IDLE ADJUST		
32 +		123134-04260	1	SCREW, IDLE ADJUST		

