

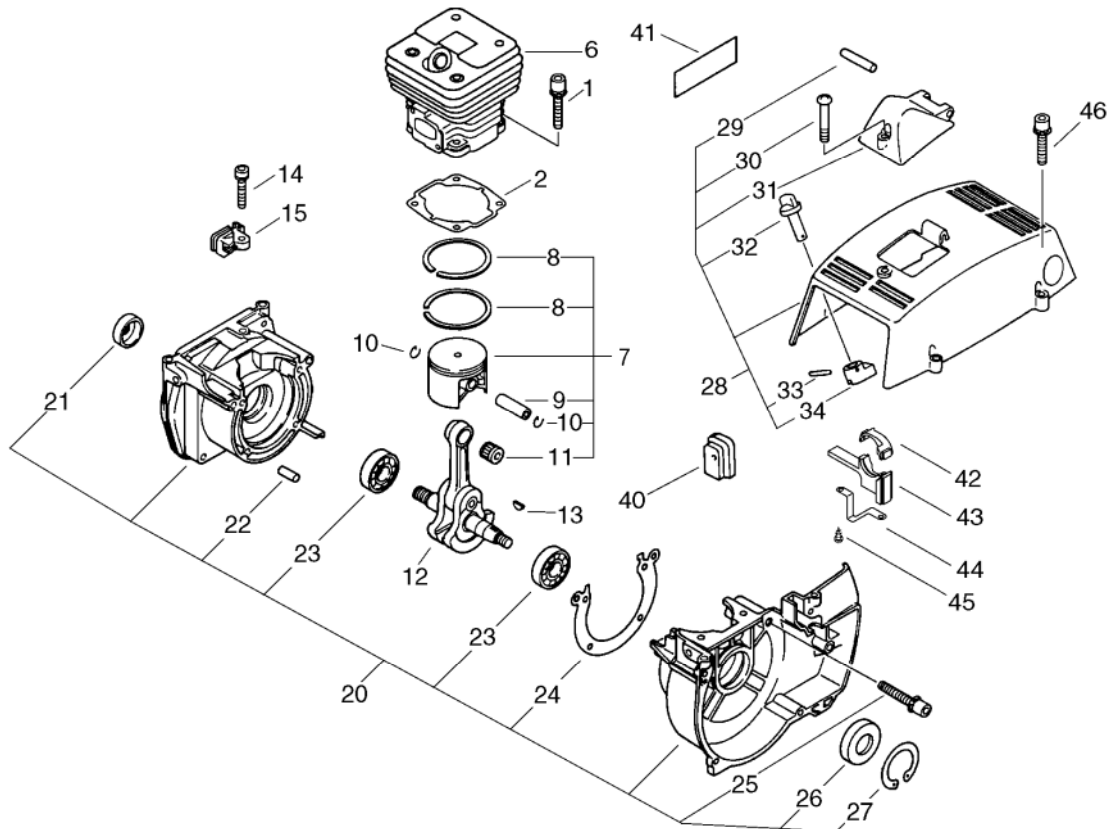


PARTS CATALOGUE

CLEARING SAW CLS-5810(36)

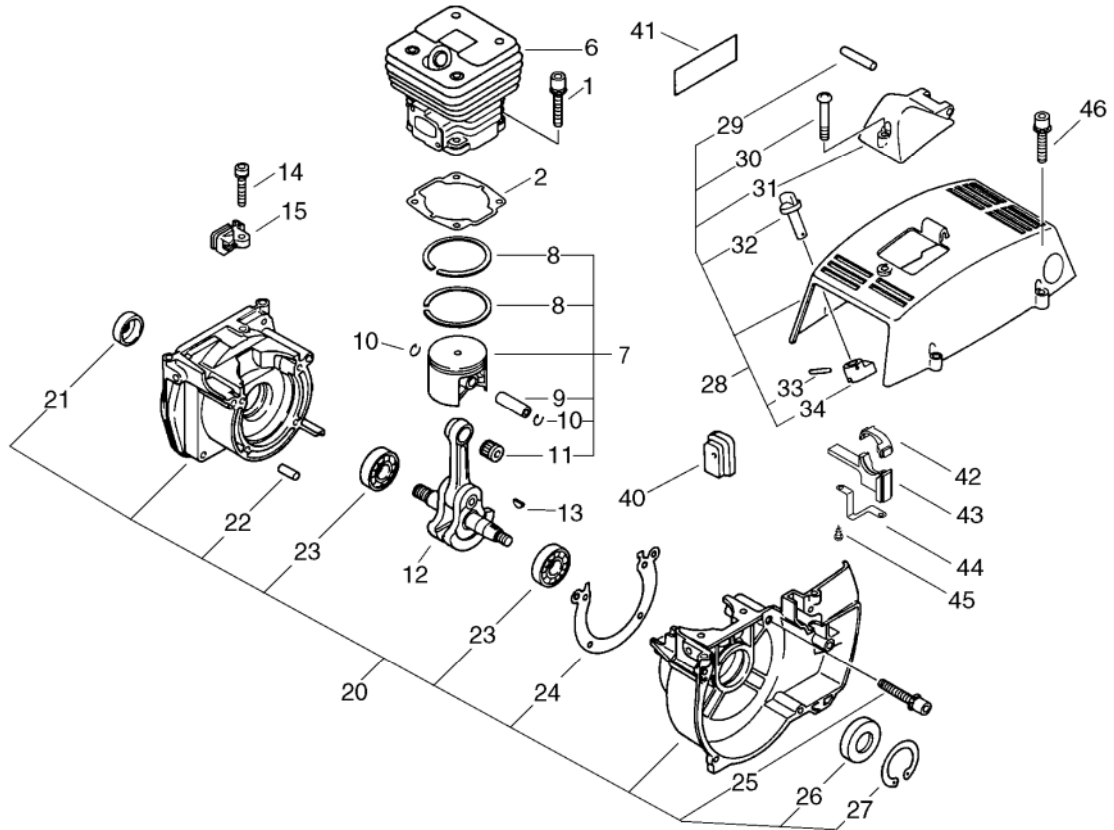
36005758 -

1. CYLINDER, CRANKCASE, PISTON



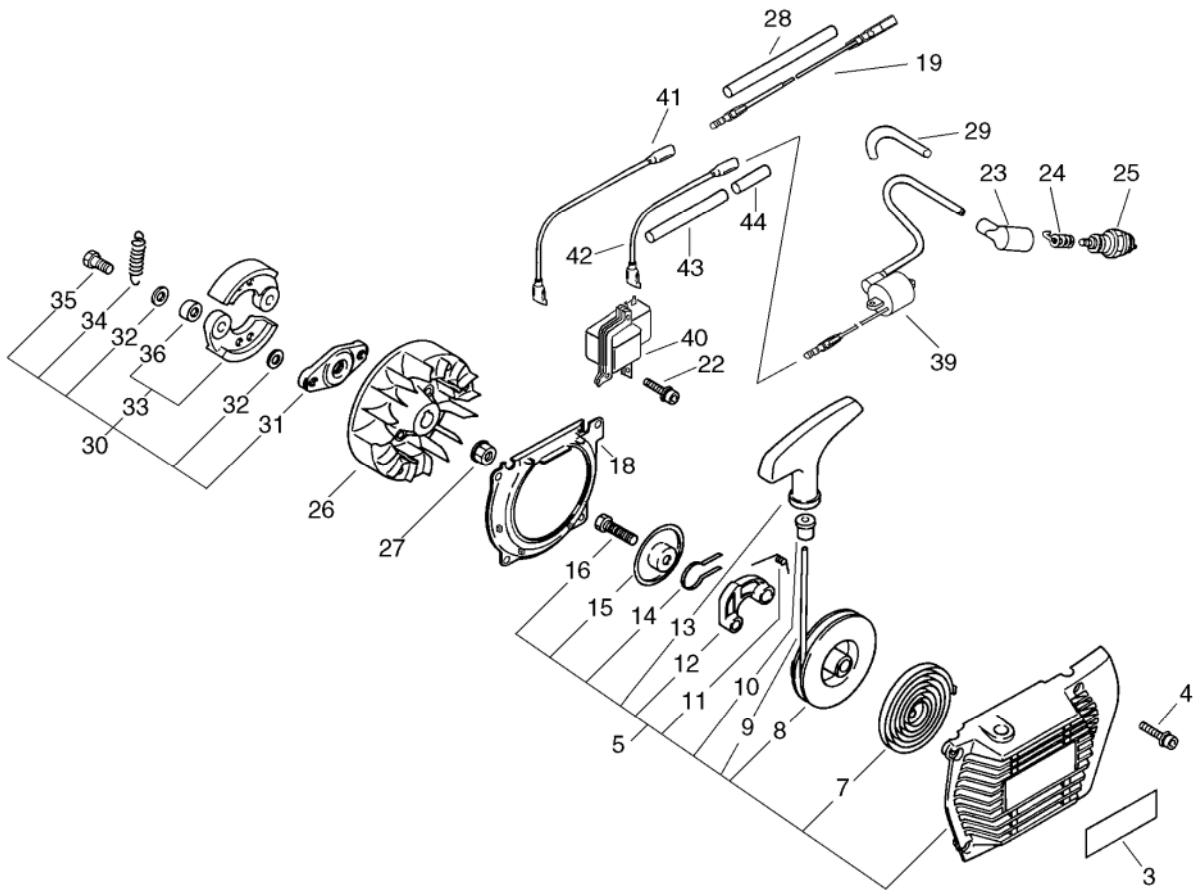
KEY	LV	PART NUMBER	Q'TY	DESCRIPTION	REMARKS	NOTE1	NOTE2
1		900162-05022	4	BOLT, H.S. 5*22	5*22 W,SW		
2		101010-54430	1	GASKET, CYL. BASE			
6		A130-000590	1	CYLINDER			
7		P021-034160	1	PISTON KIT		Sus. by P021-034161	
7		P021-034161	1	PISTON KIT			
8	+	100011-32330	2	RING, PISTON			
9	+	100013-54430	1	PIN, PISTON			
10	+	100015-00120	2	CIRCLIP, PISTON PIN			
10	+	V580-000010	2	RING,END	φ0.8	Can be used on the P021-034161	
11	+	100012-12331	1	BEARING, NEEDLE			
12		100100-54432	1	CRANKSHAFT			
13		900323-03014	1	KEY WOODRUFF	3*14		
14		900105-05016	1	BOLT, H.S. 5*16	5*16		
15		178112-54432	1	HOLDER, THROTTLE WIRE			
20		100204-54431	1	CRANKCASE KIT			
21	+	100212-19830	1	OILSEAL	ISM 15*25*6		
22	+	100215-03930	2	PIN, DOWEL			
23	+	900810-36202	2	BEARING, BALL 6202	6202/C3		
24	+	100242-54430	1	GASKET, CRANKCASE			
25	+	900162-05035	4	BOLT, H.S. 5*35	5*35 W,SW		
26	+	100213-02830	1	OILSEAL	ISMX15,35,6		
27	+	900702-00035	1	CIRCLIP 35	CR-35		
28		P021-007442	1	COVER, CYLINDER			

1. CYLINDER, CRANKCASE, PISTON



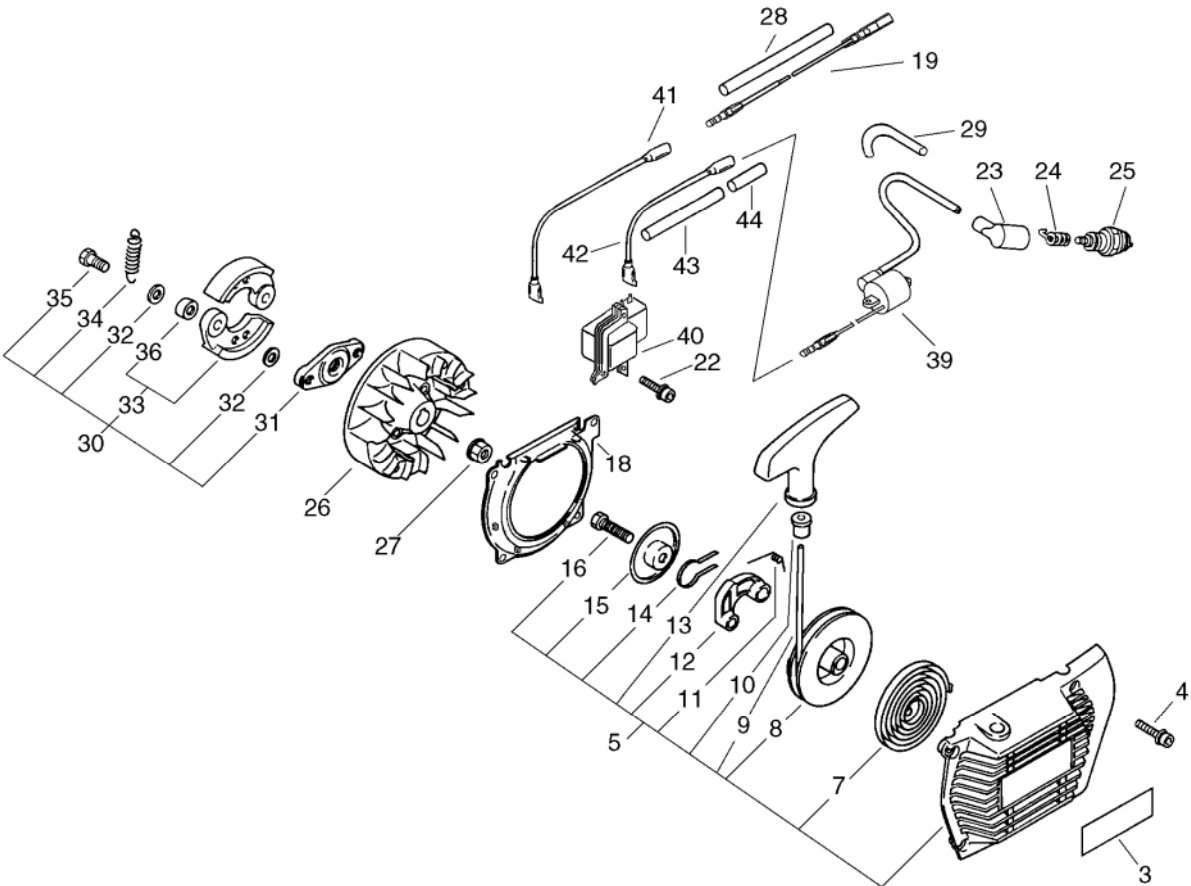
KEY	LV	PART NUMBER	Q'TY	DESCRIPTION	REMARKS	NOTE1	NOTE2
29	+	900330-40298	1	PIN 4*29.8	4*29.8		
30	+	163890-38330	1	BOLT, 5			
31	+	159015-54430	1	COVER, PLUG CAP			
32	+	178510-54430	1	ROD, CHOKE			
33	+	900342-20010	1	PIN, SPRING 2*10	2*10		
34	+	178522-54430	1	END, LEVER			
40		178215-54431	1	GROMMET			
41		X547-001120	1	LABEL,ECHO	ECHO+CLS-5800		
42		V541-000110	1	SEAL			
43		V541-000120	1	SEAL			
44		V152-001420	1	PLATE,ANGLE			
45		900253-04016	2	SCREW 4*16	4*16		
46		91118-05022	4	BOLT			

2. STARTER, MAGNETO, CLUTCH



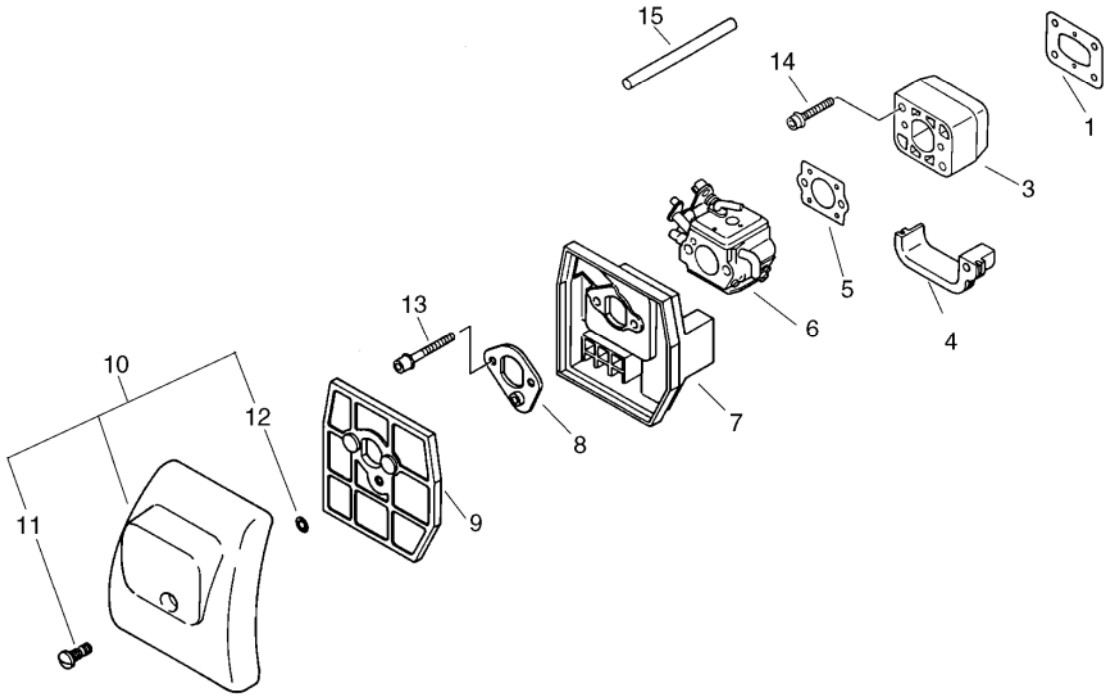
KEY	LV	PART NUMBER	Q'TY	DESCRIPTION	REMARKS	NOTE1	NOTE2
3		X502-000640	1	LABEL,ECHO	79.5*29.5		
4		91118-05022	4	BOLT			
5		177200-54432	1	STARTER ASSEMBLY			
7	+	177220-00220	1	SPRING, REWIND			
8	+	177215-06230	1	DRUM, STARTER			
9	+	177226-06230	1	ROPE, STARTER			
10	+	177227-05530	1	GUIDE, ROPE			
11	+	177234-54430	1	SPRING, RETURN			
12	+	177218-54430	1	PAWL, STARTER			
13	+	177228-11120	1	GRIP, STARTER			
14	+	177233-54430	1	SPRING, FRICTION			
15	+	177211-06230	1	PLATE, FRICTION			
16	+	900100-06012	1	BOLT 6*12	6*12		
18		101511-54431	1	COVER, FAN			
19		V485-000160	1	LEAD	L:640		
22		900162-05022	2	BOLT, H.S. 5*22	5*22 W,SW		
23		159012-01620	1	CAP, SPARK PLUG			
24		159011-03432	1	COIL, SPARK PLUG			
25		A425-000000	1	SPARKPLUG	BPMR8Y		
26		A409-000221	1	ROTOR,MAGNETO	ID#9483		
27		900517-00010	1	NUT	10		
28		V475-001610	1	TUBE	7*8.6*55 HST-10		
29		150623-16130	1	TUBE			
30		175000-54431	1	CLUTCH ASSY			
31	+	175016-54430	1	HUB, CLUTCH			

2. STARTER, MAGNETO, CLUTCH



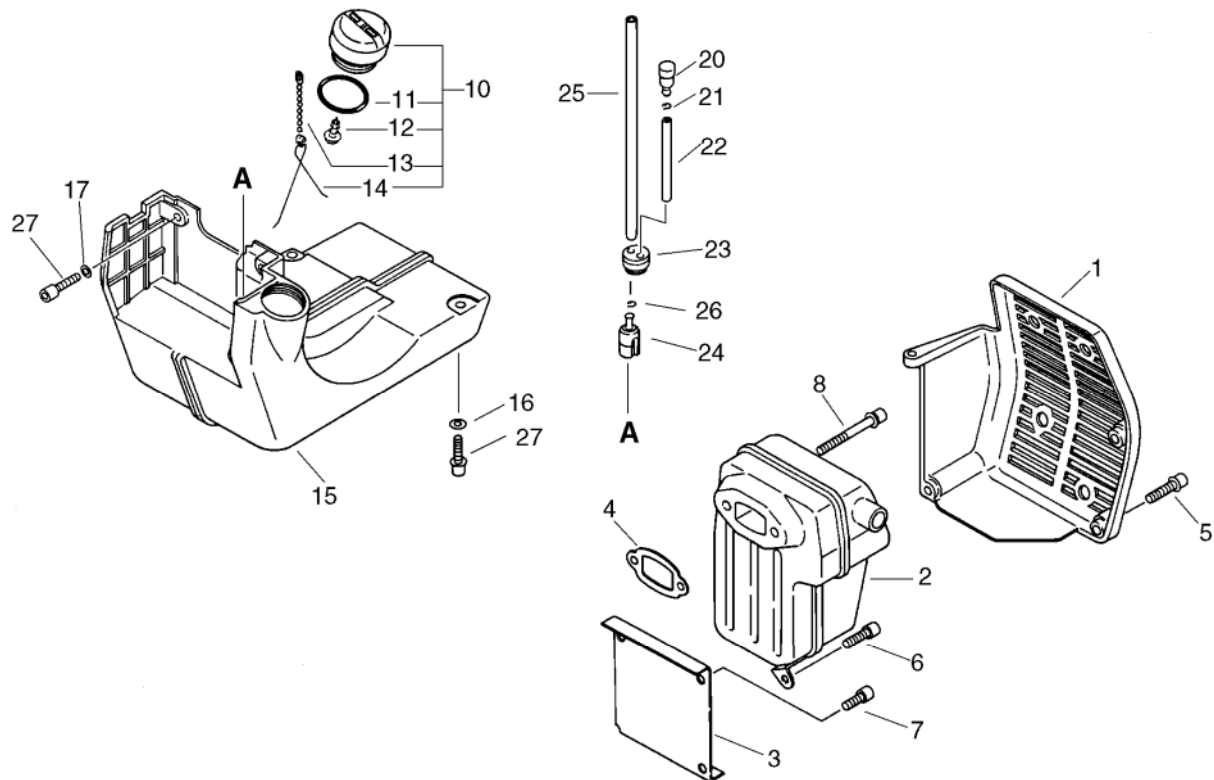
KEY	LV	PART NUMBER	Q'TY	DESCRIPTION	REMARKS	NOTE1	NOTE2
32	+	175014-11231	4	WASHER, CLUTCH			
33	+	175009-54430	1	SHOE, CLUTCH			
36	++	175030-54430	2	METAL			
34	+	175018-54430	1	SPRING, CLUTCH			
35	+	175046-54430	2	SHAFT, CLUTCH			
39		A411-000191	1	COIL,IGNITION	ID#C9478		
40		A410-000000	1	COIL,EXCITER			
41		162010-04561	1	LEAD, GROUND	210L		
42		V485-000510	1	LEAD			
43		V475-003570	1	TUBE	6*7*90		
44		178016-47430	1	TUBE	6*7*20 BL		

3. AIR CLEANER



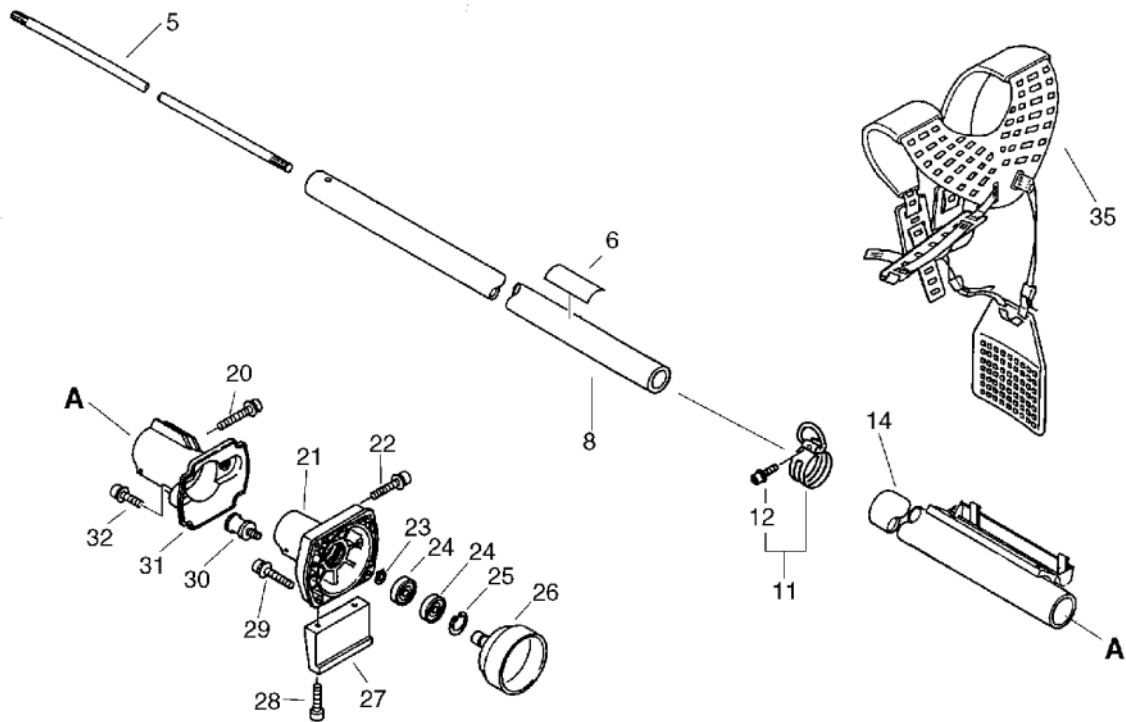
KEY	LV	PART NUMBER	Q'TY	DESCRIPTION	REMARKS	NOTE1	NOTE2
1		130010-54430	1	GASKET, INTAKE			
3		130007-54430	1	INSULATOR			
4		130012-54430	1	SEAL			
5		130016-54430	1	GASKET, INTAKE			
6		A021-000951	1	CARBURETOR,DIAPHRAGM	C3M-K80		
7		130314-54430	1	CASE, CLEANER			
8		130420-54430	1	BRACKET, AIR CLEANER			
9		130310-54430	1	FILTER, AIR			
10		130302-54431	1	COVER ASY, A.CLEANER			
11	+	130415-40630	1	SCREW			
12	+	900720-00004	1	O-RING (P-4)	P-4		
13		900105-05055	2	BOLT, H.S. 5*55	5*55		
14		900162-05030	2	BOLT, H.S. 5*30	5*30 W,SW		
15		130110-54430	1	PIPE, IMPULSE	3*6*105 NBR		

4. FUEL TANK, MUFFLER



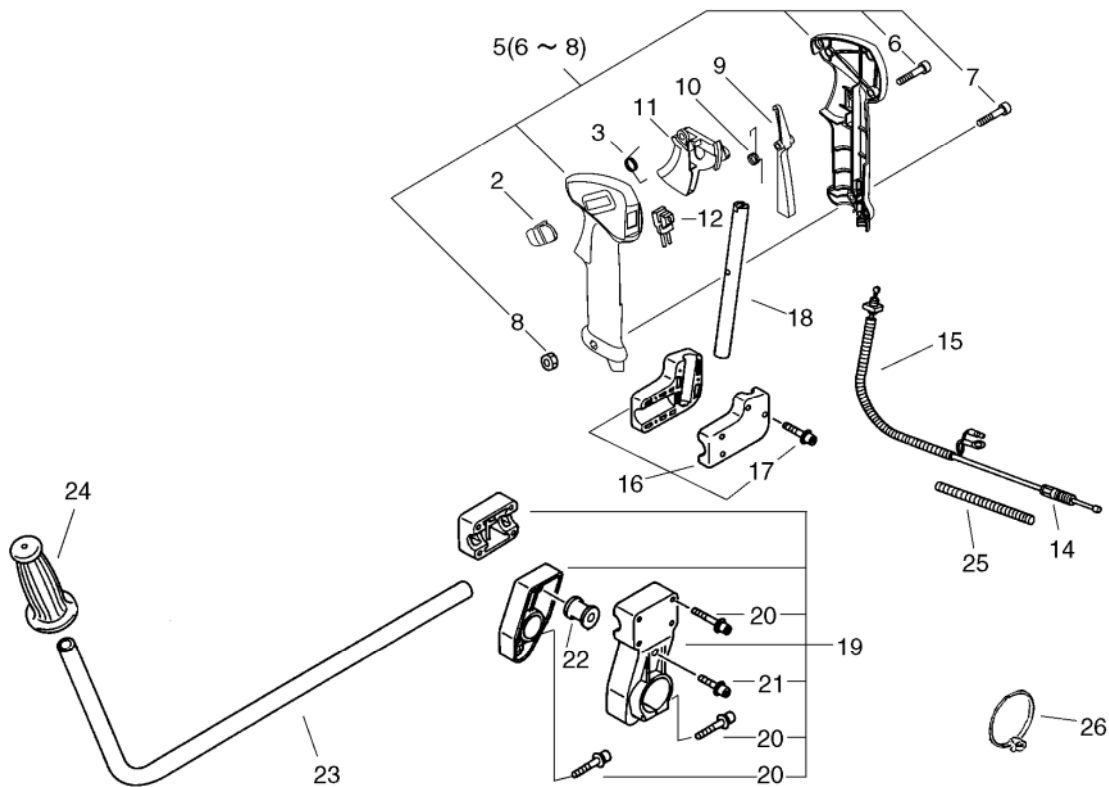
KEY	LV	PART NUMBER	Q'TY	DESCRIPTION	REMARKS	NOTE1	NOTE2
1		145906-54431	1	COVER, MUFFLER			
2		P021-008640	1	MUFFLER, EXHAUST			
3		145910-54430	1	INSULATOR, MUFFLER			
4		145510-54431	1	GASKET, MUFFLER			
5		91118-05018	3	BOLT			
6		900105-05016	1	BOLT, H.S. 5*16	5*16		
7		900105-05010	2	BOLT, H.S. 5*10	5*10		
8		900162-05075	2	BOLT, H.S. 5*75	5*75 W,SW		
10		131004-16432	1	CAP ASY, FUEL			
11	+	900720-00032	1	O-RING 32			
12	+	900246-03008	1	SCREW 3*8	3*8		
13	+	131023-14730	1	CHAIN, BALL			
14	+	131042-14730	1	SPRING, CLOSS			
15		131005-54430	1	TANK, FUEL			
16		900600-00005	4	WASHER 5	5		
17		130031-10230	2	WASHER			
20		131300-56430	1	VALVE, CHECK			
21		132013-09820	1	CLIP	6MM		
22		132010-02960	1	PIPE, FUEL	3*6*30		
23		132115-44330	1	GROMMET			
24		131205-19831	1	STRAINER, FUEL		Sus. by A369-000000	
24		A369-000000	1	STRAINER, FUEL	125-528		
25		132010-54430	1	PIPE	3*6*140 NBR		
26		132013-26630	1	CLIP	6.5MM		
27		91119-05016	6	BOLT	10.9 SILVER		

5. MAIN PIPE



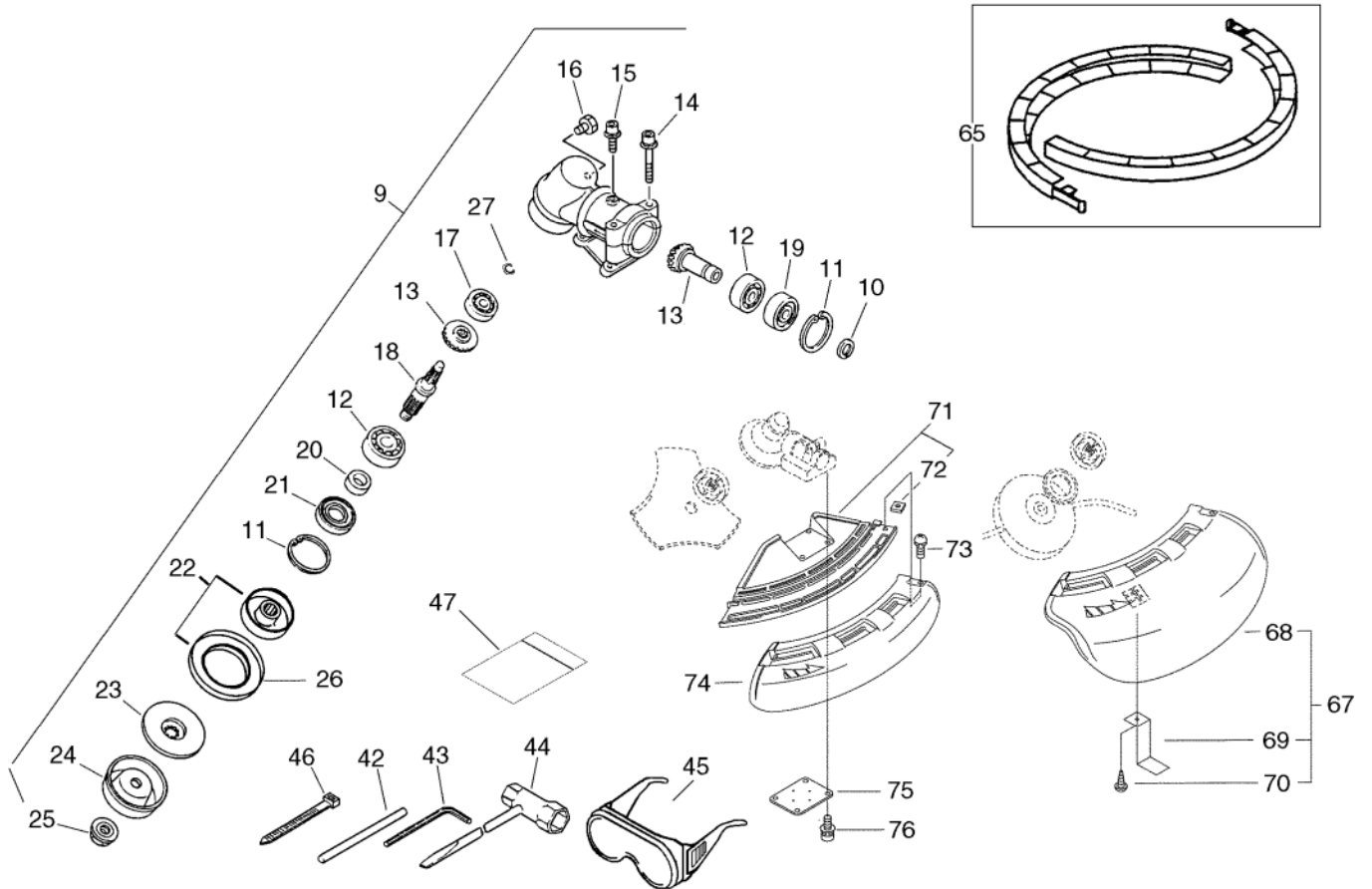
KEY	LV	PART NUMBER	Q'TY	DESCRIPTION	REMARKS	NOTE1	NOTE2
5		610011-51530	1	SHAFT, DRIVE			
6		890617-43130	1	LABEL, CAUTION			
8		C050-000610	1	PIPE, MAIN	35*1530		
11		P021-012710	1	HOOK			
12	+	91118-05020	1	BOLT	CM-5*20		
14		610603-54430	1	PIPE W/CABLE GUIDE			
20		91118-05035	1	BOLT			
21		610223-54430	1	FLANGE, D.S. HOUSING			
22		91118-05030	2	BOLT			
23		900701-00015	1	CIRCLIP 15	CS-15		
24		900819-06202	2	BEARING, BALL 6202	6202VV(LLB)		
25		900702-00035	1	CIRCLIP 35	CR-35		
26		175005-54430	1	DRUM, CLUTCH			
27		305110-54430	1	STAND			
28		91118-05020	2	BOLT	CM-5*20		
29		91118-05025	4	BOLT			
30		100905-51530	2	CUSHION			
31		610922-54430	1	HOLDER			
32		91118-05014	2	BOLT			
35		301000-51530	1	HARNESS, SHOULDER			

6. HANDLE



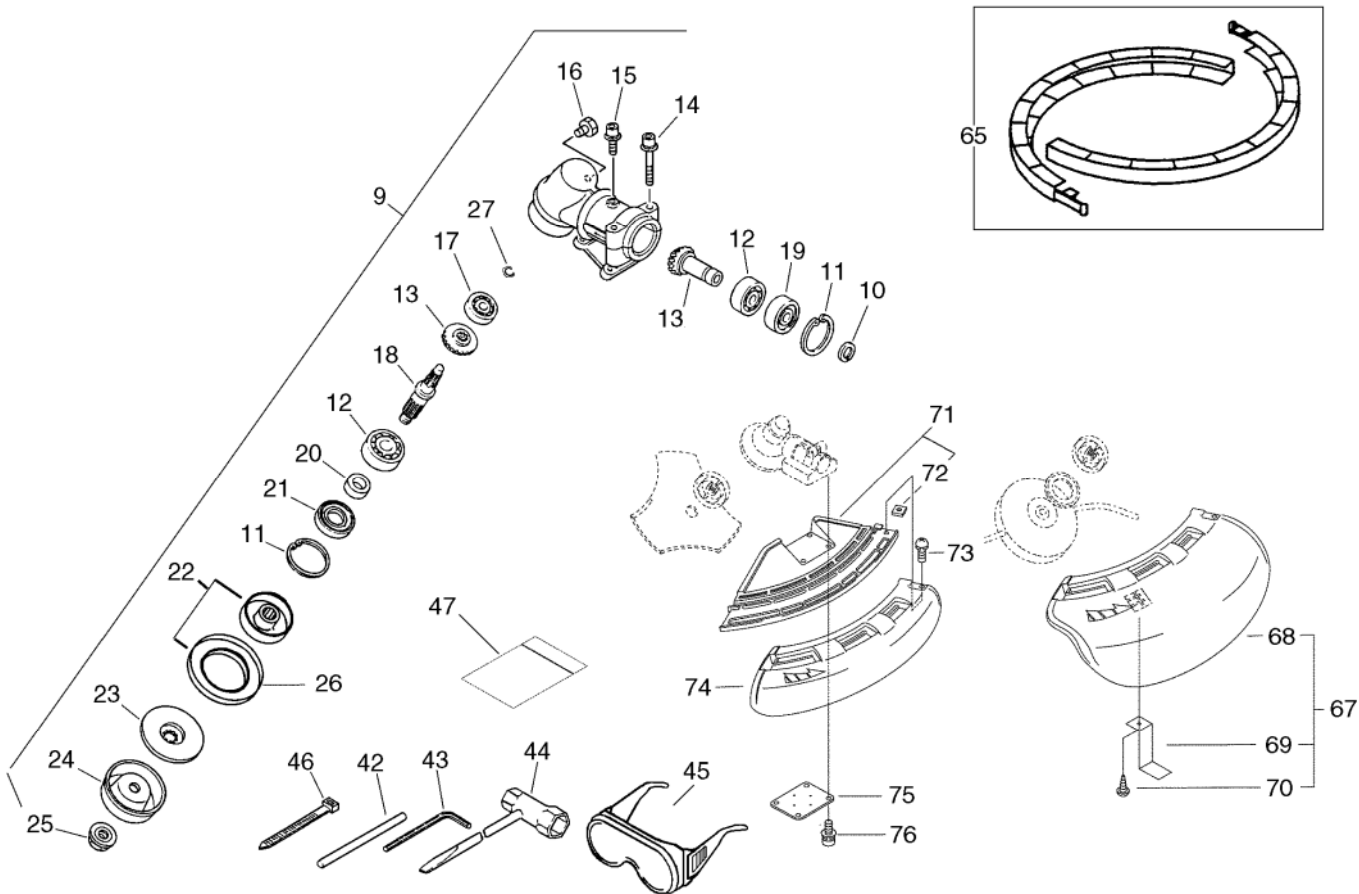
KEY	LV	PART NUMBER	Q'TY	DESCRIPTION	REMARKS	NOTE1	NOTE2
2		C463-000000	1	KNOB,LATCH			
3		V452-000060	1	SPRING,TORSION			
5		P021-013570	1	GRIP ASY,F-HANDLE			
6	+	900253-04016	3	SCREW 4*16	4*16		
7	+	900220-05030	1	SCREW 5*30	5*30		
8	+	900500-00005	1	NUT 5	5		
9		C460-000011	1	LOCKOUT,THROTTLE			
10		V452-000130	1	SPRING,TORSION			
11		C450-000022	1	TRIGGER,THROTTLE			
12		163401-54530	1	SWITCH,IGNITION			
14		V430-002030	1	CABLE,BOWDEN			
15		178127-54530	1	TUBE 7*10*130	7*10*130		
16		P021-012730	1	BRACKET ASY, HANDLE			
17	+	91118-05025	4	BOLT			
18		351210-47530	1	HANDLE, REAR			
19		P021-012690	1	BRACKET, HANDLE ASY			
20	+	91118-05035	6	BOLT			
21	+	91118-05014	2	BOLT			
22		100905-51530	2	CUSHION			
23		351110-54430	1	HANDLE, FRONT			
24		351213-47531	1	GRIP, HANDLE			
25		V475-002930	1	TUBE	7*450		
26		V495-000000	2	BAND	CV-200		

7. GEAR CASE, SHIELD, BLADE



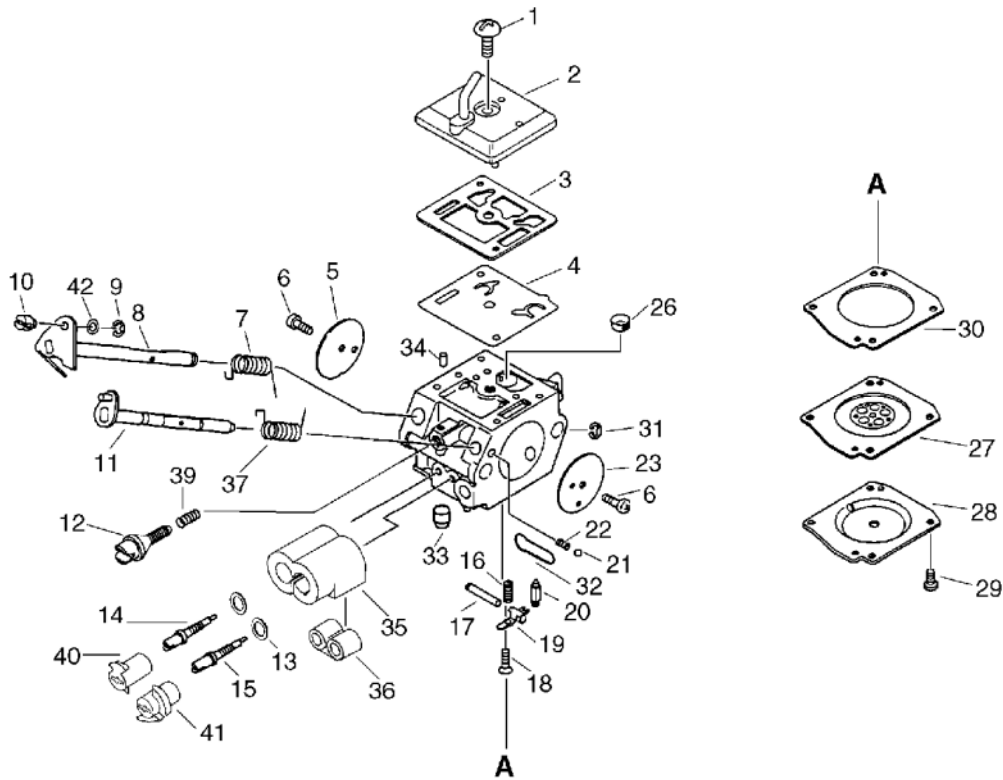
KEY	LV	PART NUMBER	Q'TY	DESCRIPTION	REMARKS	NOTE1	NOTE2
9		P021-017200	1	CASE ASY,GEAR			
9		P021-017201	1	CASE ASY,GEAR			
10	+	900701-00015	1	CIRCLIP 15	CS-15		
11	+	900702-00035	2	CIRCLIP 35	CR-35		
12	+	94060-06202	2	BEARING, BALL	BB6202		
13	+	610300-47530	1	GEAR SET			
14	+	91118-05035	2	BOLT			
15	+	91119-05012	1	BOLT			
16	+	610434-50031	1	BOLT 8* 8	M8*8		
17	+	94060-06001	1	BEARING, BALL	BB6001		
18	+	C534-000520	1	SHAFT, GEAR			
19	+	94063-06202	1	BEARING, BALL	BB6202Z		
20	+	610334-06230	1	SPACER, OILSEAL			
21	+	610413-47530	1	OILSEAL IS 20 35 7			
22	+	C535-000440	1	FIXTURE, BLADE		Sus. by C535-000441	
22	+	C535-000441	1	FIXTURE, BLADE			
26	++	610352-56830	1	PLATE, CUP			
23	+	C535-000460	1	FIXTURE, BLADE			
24	+	V151-000040	1	PLATE,CUP			
25	+	610320-47530	1	NUT, LOCK			
27	+	900701-00012	1	CIRCLIP 12	CS-12		
42		X606-000080	1	TOOL,BAR	5*120		
43		895610-00130	1	L-WRENCH (4MM)			
44		X602-000020	1	TOOL,WRENCH	17*19 L200		

7. GEAR CASE, SHIELD, BLADE



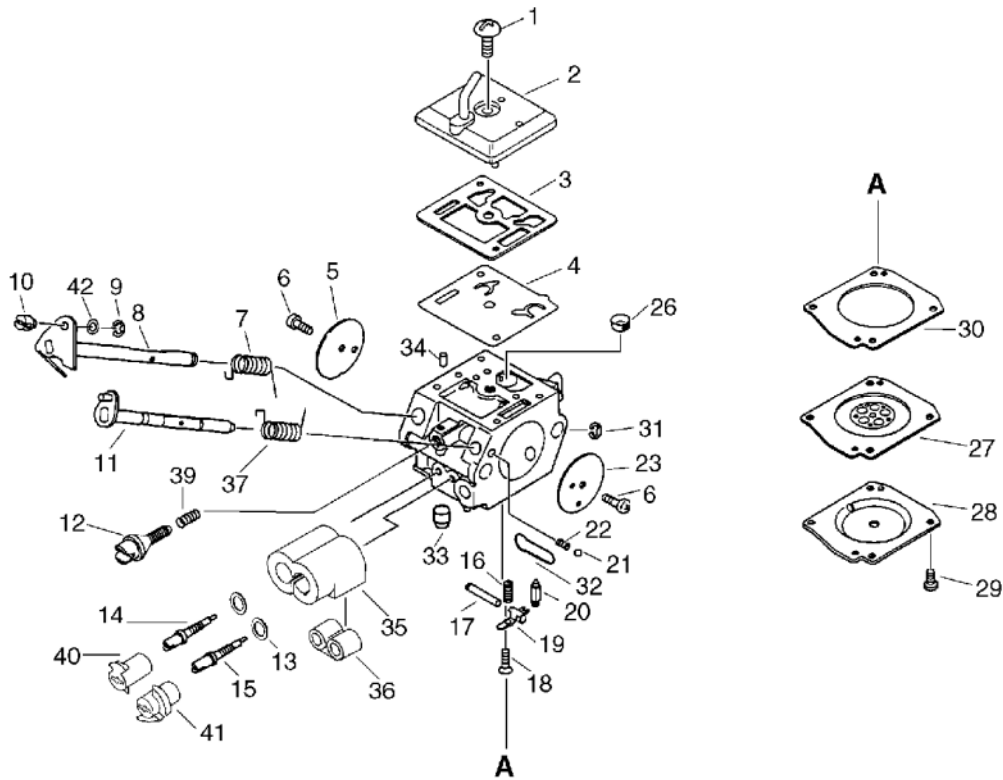
KEY	LV	PART NUMBER	Q'TY	DESCRIPTION	REMARKS	NOTE1	NOTE2
45		X690-000050	1	GOGGLE	GOGGLE + NOTE		
46		178121-43230	1	BAND	CV-150 BL		
47		898510-07130	1	BAG, TOOL			
65		P021-007470	1	SCABBARD, BLADE			
67		P021-013772	1	SHIELD KIT			
68	+	C550-000080	1	SHIELD, BLADE			
69	+	C554-000030	1	KNIFE, CORD			
70	+	900252-05012	1	SCREW 5*12			
71		C550-000100	1	SHIELD, BLADE			
72	+	900565-00005	1	NUT	5		
73		900242-05018	1	SCREW 5*18	5*18		
74		C550-000090	1	SHIELD, BLADE			
75		699013-56830	1	PLATE, SHIELD			
76		91118-05025	4	BOLT			

8. CARBURETOR



KEY	LV	PART NUMBER	Q'TY	DESCRIPTION	REMARKS	NOTE1	NOTE2
		A021-000951	1	CARBURETOR,DIAPHRAGM	C3M-K80		
1	+	125310-13930	1	SCREW			
2	+	125324-54430	1	COVER, PUMP			
3	+	P005-001430	1	GASKET, PUMP			
4	+	P005-001420	1	DIAPHRAGM, PUMP			
5	+	125316-54430	1	VALVE, THROTTLE			
6	+	125314-51230	2	SCREW	3*4.5		
7	+	125313-54430	1	SPRING, THRT. RETURN			
8	+	P005-001610	1	SHAFT ASY,THROTTLE			
9	+	125327-13930	1	CLIP			
10	+	P005-001860	1	SWIVEL		Can be used on the A021-000951 only	
11	+	P005-001490	1	SHAFT, CHOKE			
12	+	P005-001480	1	SCREW,THROTTLEADJUST			
13	+	125353-20560	2	WASHER			
14	+	P005-001460	1	SCREW, IDLE MIXTURE			
15	+	P005-001450	1	SCREW,MAINN MIXTURE			
16	+	125322-11520	1	SPRING, COIL			
17	+	125338-13930	1	PIN, METERING ARM			
18	+	125339-13930	1	SCREW			
19	+	125323-08260	1	ARM, VALVE			
20	+	125337-08260	1	VALVE, INLET NEEDLE			
21	+	125336-33330	1	BALL, STEEL			
22	+	125335-33330	1	SPRINGT, FRICTION			
23	+	125332-33330	1	VALVE, CHOKE			

8. CARBURETOR



KEY	LV	PART NUMBER	Q'TY	DESCRIPTION	REMARKS	NOTE1	NOTE2
26	+	125326-08360	1	STRAINER			
27	+	125341-54430	1	DIAPHRAGM			
28	+	P005-001850	1	COVER, DIAPHRAGM			
29	+	125344-52130	4	SCREW			
30	+	P005-001440	1	GASKET, METERING			
31	+	125327-15130	1	CLIP			
32	+	125345-15130	1	PLUG, WELCH			
33	+	P005-001470	1	NOZZLE, CHECK VALVE			
34	+	125378-13930	1	PIECE, FRICTION			
35	+	P005-001510	1	RETAINER, LIMIT CAP			
36	+	P005-001500	1	SCREW, BOOT ADJUST			
37	+	P005-001560	1	SPRING, CHOKE RETURN			
39	+	125333-08560	1	SPRING, ADJUST SCREW			
40	+	P005-001530	1	LIMITER, TEMPER			
41	+	P005-001520	1	LIMITER, TEMPER			
42	+	P005-001870	1	WASHER		Can be used on the A021-000951 only	

Index

Patrs Number	Key No.	Patrs Number	Key No.	Patrs Number	Key No.
100011-32330	1 - 8	131023-14730	4 - 13	610011-51530	5 - 5
100012-12331	1 - 11	131042-14730	4 - 14	610223-54430	5 - 21
100013-54430	1 - 9	131205-19831	4 - 24	610300-47530	7 - 13
100015-00120	1 - 10	131300-56430	4 - 20	610320-47530	7 - 25
100100-54432	1 - 12	132010-02960	4 - 22	610334-06230	7 - 20
100204-54431	1 - 20	132010-54430	4 - 25	610352-56830	7 - 26
100212-19830	1 - 21	132013-09820	4 - 21	610413-47530	7 - 21
100213-02830	1 - 26	132013-26630	4 - 26	610434-50031	7 - 16
100215-03930	1 - 22	132115-44330	4 - 23	610603-54430	5 - 14
100242-54430	1 - 24	145510-54431	4 - 4	610922-54430	5 - 31
100905-51530	5 - 30	145906-54431	4 - 1	699013-56830	7 - 75
100905-51530	6 - 22	145910-54430	4 - 3	890617-43130	5 - 6
101010-54430	1 - 2	150623-16130	2 - 29	895610-00130	7 - 43
101511-54431	2 - 18	159011-03432	2 - 24	898510-07130	7 - 47
125310-13930	8 - 1	159012-01620	2 - 23	900100-06012	2 - 16
125313-54430	8 - 7	159015-54430	1 - 31	900105-05010	4 - 7
125314-51230	8 - 6	162010-04561	2 - 41	900105-05016	1 - 14
125316-54430	8 - 5	163401-54530	6 - 12	900105-05016	4 - 6
125322-11520	8 - 16	163890-38330	1 - 30	900105-05055	3 - 13
125323-08260	8 - 19	175000-54431	2 - 30	900162-05022	1 - 1
125324-54430	8 - 2	175005-54430	5 - 26	900162-05022	2 - 22
125326-08360	8 - 26	175009-54430	2 - 33	900162-05030	3 - 14
125327-13930	8 - 9	175014-11231	2 - 32	900162-05035	1 - 25
125327-15130	8 - 31	175016-54430	2 - 31	900162-05075	4 - 8
125332-33330	8 - 23	175018-54430	2 - 34	900220-05030	6 - 7
125333-08560	8 - 39	175030-54430	2 - 36	900242-05018	7 - 73
125335-33330	8 - 22	175046-54430	2 - 35	900246-03008	4 - 12
125336-33330	8 - 21	177200-54432	2 - 5	900252-05012	7 - 70
125337-08260	8 - 20	177211-06230	2 - 15	900253-04016	1 - 45
125338-13930	8 - 17	177215-06230	2 - 8	900253-04016	6 - 6
125339-13930	8 - 18	177218-54430	2 - 12	900323-03014	1 - 13
125341-54430	8 - 27	177220-00220	2 - 7	900330-40298	1 - 29
125344-52130	8 - 29	177226-06230	2 - 9	900342-20010	1 - 33
125345-15130	8 - 32	177227-05530	2 - 10	900500-00005	6 - 8
125353-20560	8 - 13	177228-11120	2 - 13	900517-00010	2 - 27
125378-13930	8 - 34	177233-54430	2 - 14	900565-00005	7 - 72
130007-54430	3 - 3	177234-54430	2 - 11	900600-00005	4 - 16
130010-54430	3 - 1	178016-47430	2 - 44	900701-00012	7 - 27
130012-54430	3 - 4	178112-54432	1 - 15	900701-00015	5 - 23
130016-54430	3 - 5	178121-43230	7 - 46	900701-00015	7 - 10
130031-10230	4 - 17	178127-54530	6 - 15	900702-00035	1 - 27
130110-54430	3 - 15	178215-54431	1 - 40	900702-00035	5 - 25
130302-54431	3 - 10	178510-54430	1 - 32	900702-00035	7 - 11
130310-54430	3 - 9	178522-54430	1 - 34	900720-00004	3 - 12
130314-54430	3 - 7	301000-51530	5 - 35	900720-00032	4 - 11
130415-40630	3 - 11	305110-54430	5 - 27	900810-36202	1 - 23
130420-54430	3 - 8	351110-54430	6 - 23	900819-06202	5 - 24
131004-16432	4 - 10	351210-47530	6 - 18	91118-05014	5 - 32
131005-54430	4 - 15	351213-47531	6 - 24	91118-05014	6 - 21

Index

Patrs Number	Key No.	Patrs Number	Key No.	Patrs Number	Key No.
91118-05018	4 - 5	P005-001560	8 - 37		
91118-05020	5 - 12	P005-001610	8 - 8		
91118-05020	5 - 28	P005-001850	8 - 28		
91118-05022	1 - 46	P005-001860	8 - 10		
91118-05022	2 - 4	P005-001870	8 - 42		
91118-05025	5 - 29	P021-007442	1 - 28		
91118-05025	6 - 17	P021-007470	7 - 65		
91118-05025	7 - 76	P021-008640	4 - 2		
91118-05030	5 - 22	P021-012690	6 - 19		
91118-05035	5 - 20	P021-012710	5 - 11		
91118-05035	6 - 20	P021-012730	6 - 16		
91118-05035	7 - 14	P021-013570	6 - 5		
91119-05012	7 - 15	P021-013772	7 - 67		
91119-05016	4 - 27	P021-017200	7 - 9		
94060-06001	7 - 17	P021-017201	7 - 9		
94060-06202	7 - 12	P021-034160	1 - 7		
94063-06202	7 - 19	P021-034161	1 - 7		
A021-000951	3 - 6	V151-000040	7 - 24		
A021-000951	8 -	V152-001420	1 - 44		
A130-000590	1 - 6	V430-002030	6 - 14		
A369-000000	4 - 24	V452-000060	6 - 3		
A409-000221	2 - 26	V452-000130	6 - 10		
A410-000000	2 - 40	V475-001610	2 - 28		
A411-000191	2 - 39	V475-002930	6 - 25		
A425-000000	2 - 25	V475-003570	2 - 43		
C050-000610	5 - 8	V485-000160	2 - 19		
C450-000022	6 - 11	V485-000510	2 - 42		
C460-000011	6 - 9	V495-000000	6 - 26		
C463-000000	6 - 2	V541-000110	1 - 42		
C534-000520	7 - 18	V541-000120	1 - 43		
C535-000440	7 - 22	V580-000010	1 - 10		
C535-000441	7 - 22	X502-000640	2 - 3		
C535-000460	7 - 23	X547-001120	1 - 41		
C550-000080	7 - 68	X602-000020	7 - 44		
C550-000090	7 - 74	X606-000080	7 - 42		
C550-000100	7 - 71	X690-000050	7 - 45		
C554-000030	7 - 69				
P005-001420	8 - 4				
P005-001430	8 - 3				
P005-001440	8 - 30				
P005-001450	8 - 15				
P005-001460	8 - 14				
P005-001470	8 - 33				
P005-001480	8 - 12				
P005-001490	8 - 11				
P005-001500	8 - 36				
P005-001510	8 - 35				
P005-001520	8 - 41				
P005-001530	8 - 40				

YAMABIKO CORPORATION

7-2 SUEHIROCHO 1-CHOME, OHME, TOKYO 198-8760, JAPAN
PHONE: 81-428-32-6118. FAX: 81-428-32-6145.



10lc
No. 61-072