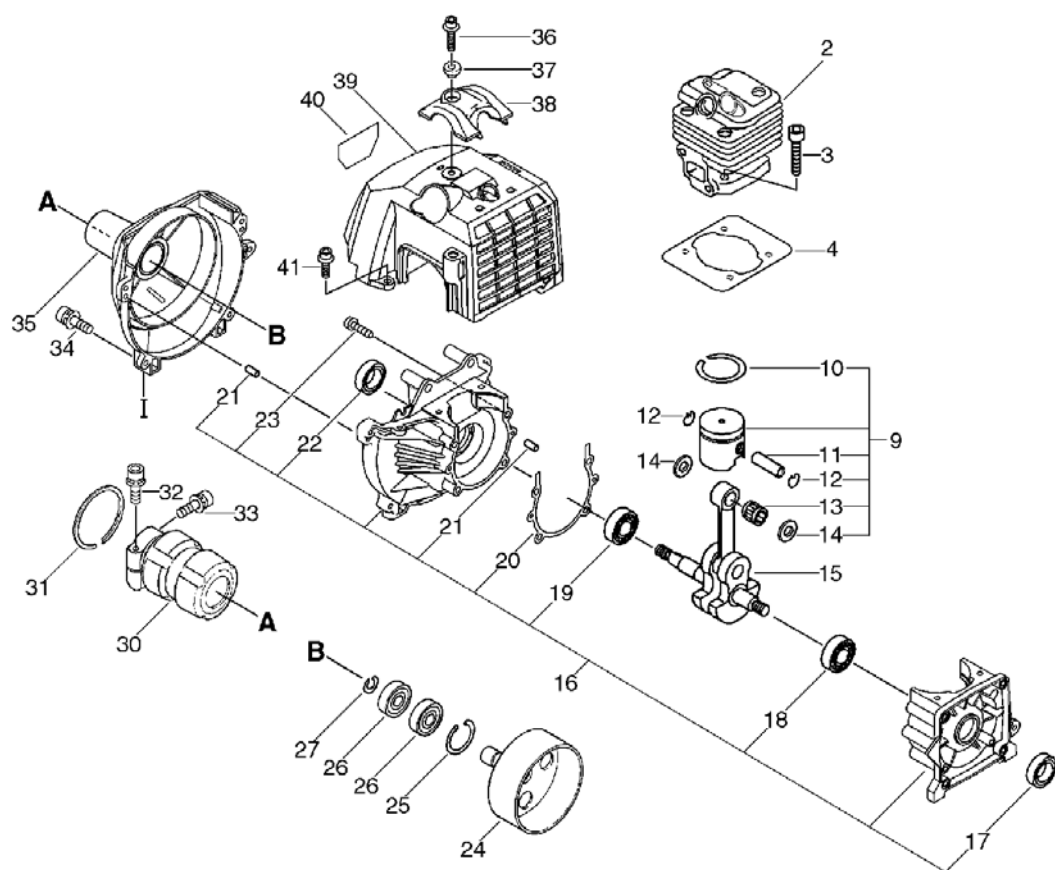


Cylinder, Crankcase, Piston

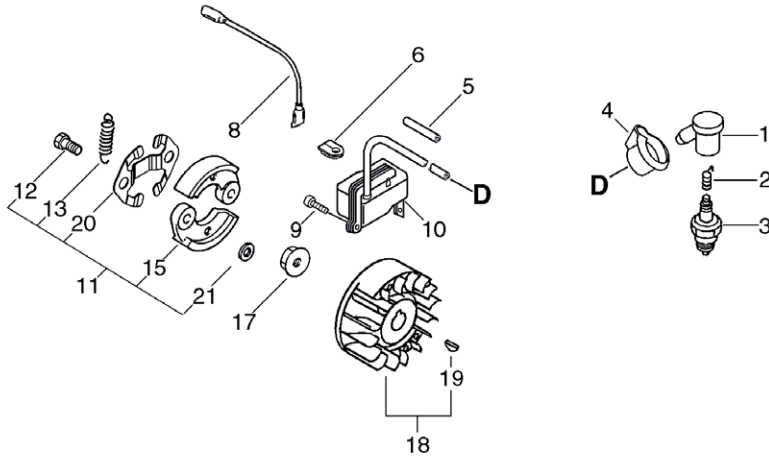


Cylinder, Crankcase, Piston

Key	Lv	Part no.	Part description	Quantity
2		A130-000870	CYLINDER	1
3		900162-05020	BOLT, H.S. 5*20	4
4		V100-000040	GASKET,CYL	1
9		P021-014260	PISTON KIT	1
10	+	100011-10530	RING, PISTON	1
11	+	V608-000000	PIN,ENG 10	1
12	+	V580-000010	RING,END	2
13	+	100012-12331	BEARING, NEEDLE	1
14	+	V307-000060	WASHER,CIRCULAR 10	2
15		A011-000120	CRANKSHAFT,ASM	1
16		P021-002471	CRANKCASE SET	1
17	+	100213-05530	OILSEAL	1
18	+	94035-36201	BEARING BALL	1
19	+	900810-36202	BEARING, BALL 6202	1
20	+	V102-000001	GASKET,CRANKCASE	1
21	+	100215-03930	PIN, DOWEL	4
22	+	100213-00310	OILSEAL	1
23	+	900162-05035	BOLT, H.S. 5*35	4
24		A556-000181	DRUM,CLUTCH	1
25		900702-00028	CIRCLIP 28	1
26		900807-06001	BEARING, BALL 6001	2
27		900701-00012	CIRCLIP 12	1
30		V420-000980	CUSHION	1
31		900702-00045	RING, RETAINING(IN)	1

32		91118-05028	BOLT	1
33		91118-05012	BOLT	1
34		91118-05020	BOLT	4
35		A172-000150	COVER,FAN	1
36		91121-05020	BOLT, FLANGE	1
37		V353-000020	COLLAR,5	1
38		A162-000020	GUARD, TOP	1
39		A160-000241	COVER,CYLINDER	1
40		X547-001390	LABEL,ECHO	1
41		91121-05012	BOLT, FLANGE	1

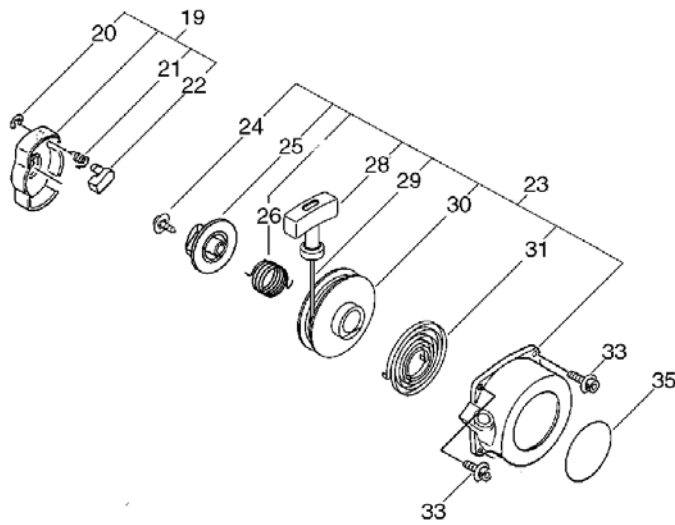
Magneto, Clutch



Magneto, Clutch

Key	Lv	Part no.	Part description	Quantity
1		A427-000000	CAP, SPARK PLUG	1
2		A426-000000	TERMINAL, SPARKPLUG	1
3		159017-31730	PLUG, SPARK RCJ-6Y	1
4		V141-000020	GROMMET, PLUG	1
5		V475-001610	TUBE	1
6		156114-04920	GROMMET	1
8		162010-55630	LEAD, GROUND	1
9		900162-05020	BOLT, H.S. 5*20	2
10		A411-000050	COIL, IGNITION	1
11		P021-016610	CLUTCH ASY	1
12	+	A557-000000	SHAFT, CLUTCH	2
13	+	V451-000480	SPRING, TENSION	1
21	+	175049-03920	WASHER	2
15	+	A553-000040	ARM, CLUTCH	2
20	+	V453-000100	SPRING, FLAT	1
17		900519-00010	NUT, FLANGE 10	1
18		P021-005911	ROTOR, MAGNETO KIT	1
19	+	900323-03014	KEY WOODRUFF	1

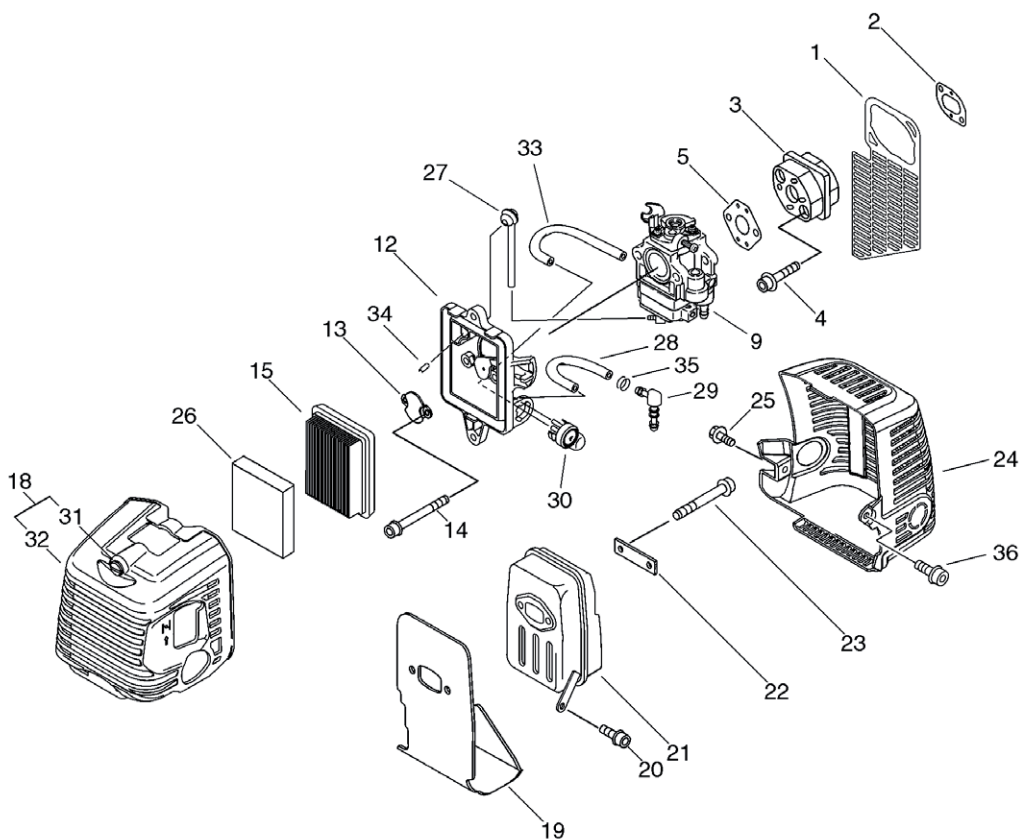
Recoil Starter



Recoil Starter

Key	Lv	Part no.	Part description	Quantity
19		A052-000230	PULLEY,ASM STARTER	1
20	+	P022-002100	E-RING	2
21	+	P022-003130	SPRING, RETURN	2
22	+	P022-023090	PAWL, STARTER	2
23		A051-001350	STARTER,RECOIL ASY	1
24	+	P022-023110	SCREW	1
25	+	P022-023130	PLATE, CAM	1
26	+	P022-023120	SPRING,DAMPER	1
28	+	177228-27030	GRIP, STARTER	1
29	+	P022-023100	ROPE, STARTER	1
30	+	P022-023140	DRUM, STARTER	1
31	+	P022-004680	SPRING, SPIRAL	1
33		91121-05020	BOLT, FLANGE	1
35		X502-000460	LABEL,ECHO	1

Air Cleaner, Carburettor, Muffler

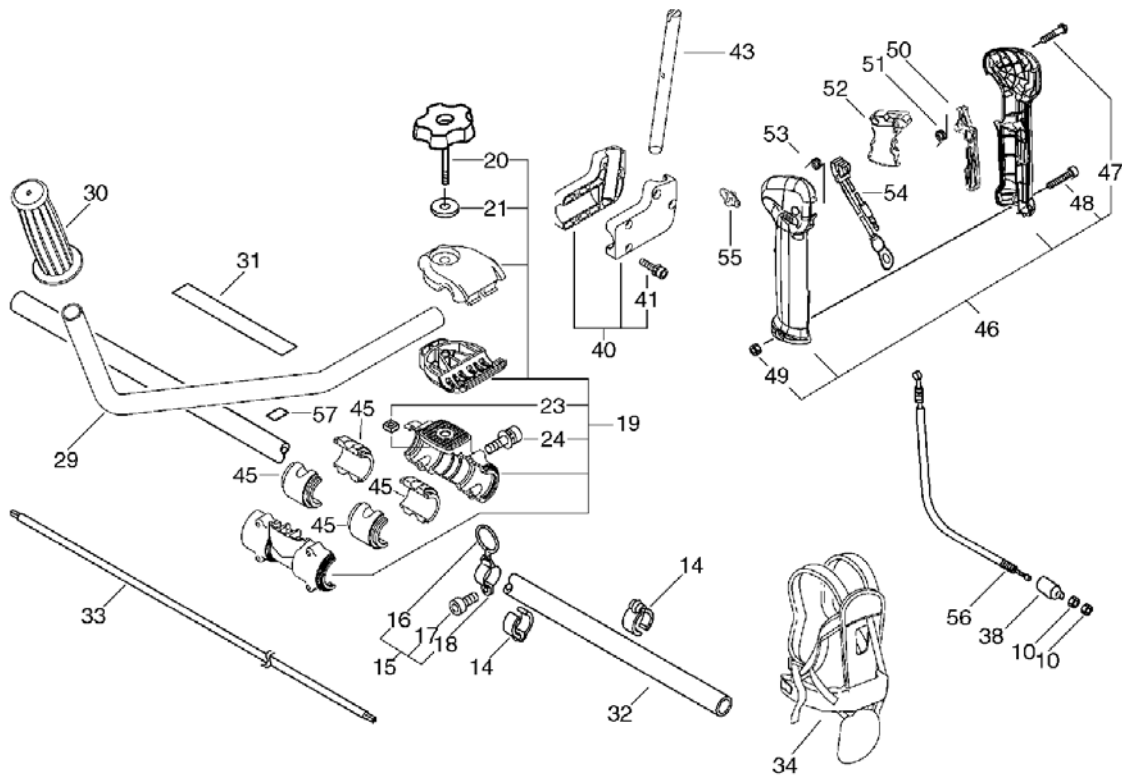


Air Cleaner, Carburettor, Muffler

Key	Lv	Part no.	Part description	Quantity
1		A128-000060	PLATE,DUST	1
2		V103-000070	GASKET,INTAKE	1
3		A200-000060	INSULATOR,INTAKE	1
4		900106-05025	BOLT, H.S. 5*25	2
5		V103-000080	GASKET,INTAKE	1
9		A021-001172	CARBURETOR,DIAPHRAGM	1
12		P021-009590	CASE, AIR CLEANER	1
13		A244-000010	PLATE,PREVENT	1
14		900105-05055	BOLT, H.S. 5*55	2
15		A226-000360	ELEMENT, AIR FILTER	1
18		P021-009600	LID,CLEANER ASY	1
31	+	V253-000100	SCREW,5	2
32	+	A232-000320	LID,CLEANER	1
19		V104-000210	GASKET,EXHAUST	1
20		900162-05012	BOLT, H.S. 5*12	1
21		P021-008900	MUFFLER ASY	1
22		V150-000550	PLATE,EYE	1
23		900105-06060	BOLT, H.S. 6*60	2
24		A320-000080	COVER,MUFFLER	1
25		91121-05012	BOLT, FLANGE	1
27		132012-39331	PIPE	1
28		437215-20760	PIPE 3*6*60	1
29		V186-000080	JOINT,PIPE	1
30		123181-39130	PUMP, PRIMER	1

33	V471-001560	PIPE	1
34	A239-000050	PIPE, INTAKE	1
35	132013-26630	CLIP	1
36	91121-05020	BOLT, FLANGE	1

U-Handle



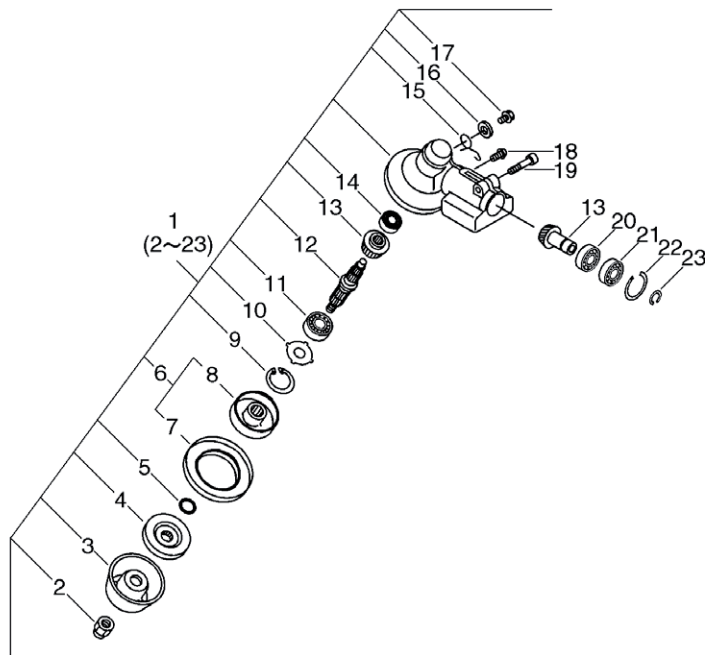
U-Handle

Key	Lv	Part no.	Part description	Quantity
10		900502-00006	NUT 6 (3N)	2
14		224924-52930	CLIP	2
15		P021-012660	HOOK ASY	1
16	+	301015-05330	HOOK, BAND	1
17	+	91119-05012	BOLT	1
18	+	301210-04630	HOOK	1
19		P021-012750	BRACKET ASY, HANDLE	1
20	+	V299-000110	KNOB,FASTENER	1
21	+	605014-54230	WASHER	1
23	+	900565-50008	NUT	1
24	+	91118-05035	BOLT	4
29		C400-000400	HANDLE,FRONT	1
30		351213-47531	GRIP, HANDLE	1
31		890617-43130	LABEL,CAUTION	1
32		C050-000880	PIPE, MAIN	1
33		610011-49931	SHAFT, DRIVE	1
34		C062-000192	HARNESS,SHOULDER	1
38		V494-000080	CAP	1
40		P021-012730	BRACKET ASY, HANDLE	1
41	+	91118-05025	BOLT	4
43		351210-47530	HANDLE, REAR	1
45		V420-001120	CUSHION	4
46		P021-014090	GRIP ASY,F-HANDLE	1
47	+	900256-04016	SCREW 4*16	3

PartsList Master - -

48	+	91119-05030	BOLT	1
49	+	900500-00005	NUT 5	1
50		C460-000111	LOCKOUT, THROTTLE	1
51		V452-000360	SPRING,TORSION	1
52		C450-000270	CONTROL, THROTTLE	1
53		V452-000350	SPRING,TORSION	1
54		P021-014620	SWITCH,ON OFF	1
55		C463-000020	KNOB, LATCH	1
56		V430-002090	CABLE,BOWDEN	1
57		890152-04930	LABEL, CAUTION	1

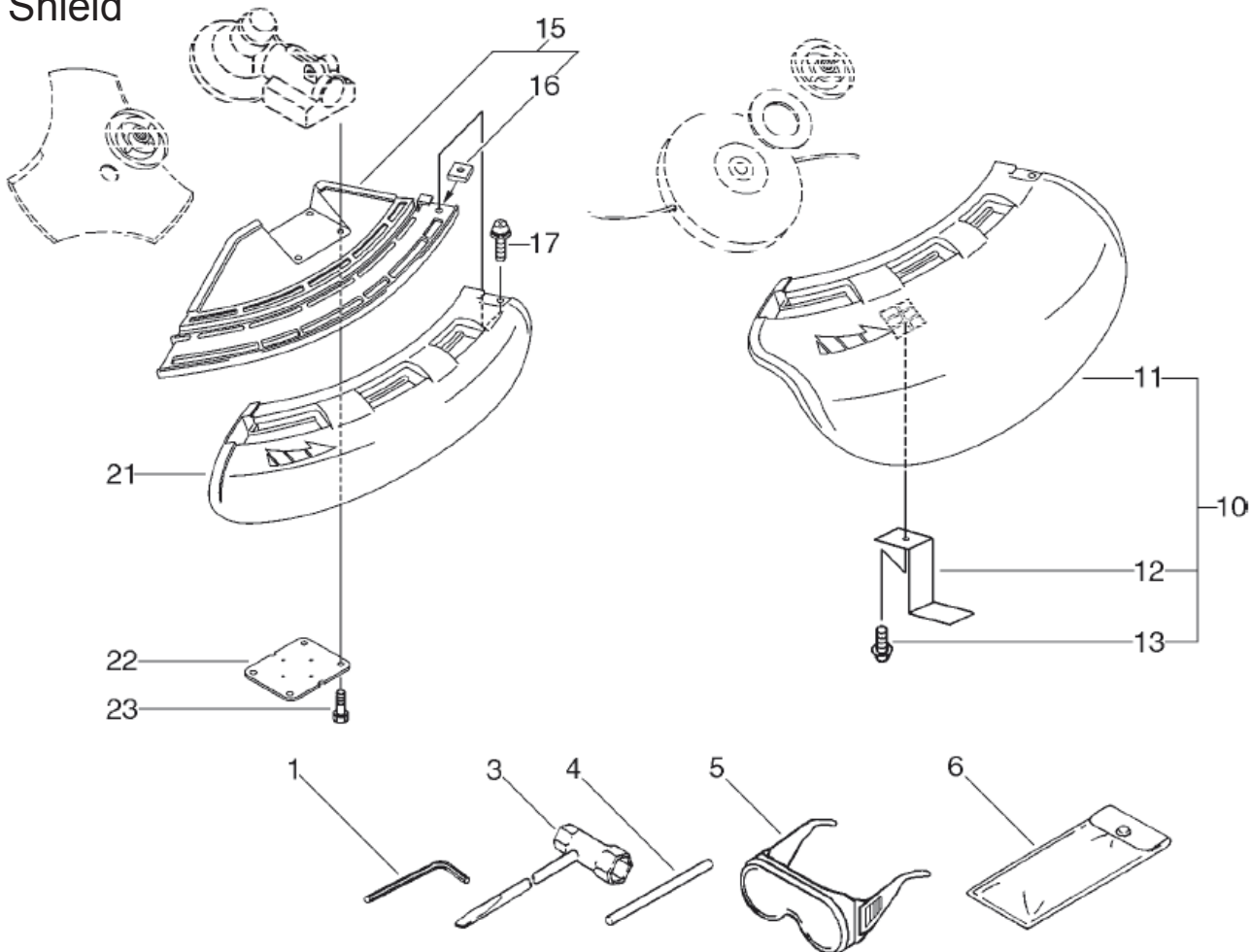
Gear Case



Gear Case

Key	Lv	Part no.	Part description	Quantity
1		P021-012591	CASE,GEAR	1
2	+	610320-52130	NUT 10	1
3	+	699229-56830	PLATE, COVER	1
4	+	610314-52130	PLATE, ADAPTER (L)	1
5	+	900720-00012	O-RING 12	1
6	+	610313-52932	FIXTURE,BLADE	1
7	++	610352-56830	PLATE, CUP	1
8	++	610313-52132	FIXTURE,BLADE	1
9	+	900702-00032	CIRCLIP 32	1
10	+	610444-56830	WASHER	1
11	+	900812-06201	BEARING, BALL 6201	1
12	+	610310-56931	SHAFT, P.T.O.	1
13	+	610300-56930	GEAR SET	1
14	+	900810-00629	BEARING, BALL 629	1
15	+	610473-52131	SPRING	1
16	+	900603-50008	WASHER	1
17	+	610434-50031	BOLT 8* 8	1
18	+	900242-05010	SCREW 5*10	1
19	+	91118-06030	BOLT	1
20	+	900800-06001	BEARING, BALL 6001	1
21	+	900803-06001	BEARING, BALL 6001	1
22	+	900702-00028	CIRCLIP 28	1
23	+	900701-00012	CIRCLIP 12	1

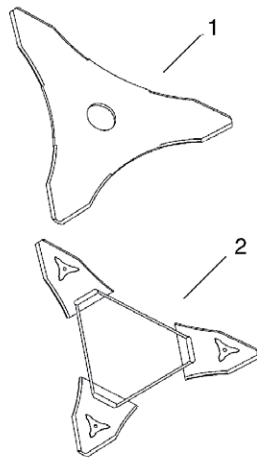
Shield



Shield

Key	Lv	Part Number	Q'ty	Remark
Clè		Nr. de Pièce	Qtè	Remarque
Tafel		Teil	Anz	Bemarkeren
N° rif		N° ricambio	Q.tà	Attenzione
1		895610-00130	1	
3		X602-000020	1	
4		897518-01131	1	
5		X690-000030	1	
6		898510-39130	1	
10		P021-002620	1	
11	+	C550-000080	1	
12	+	C554-000000	1	
13	+	900252-05012	1	
15		C550-000100	1	
16	+	900565-00005	1	
17		900242-05018	1	
21		C550-000090	1	
22		699013-56830	1	
23		900162-05025	4	

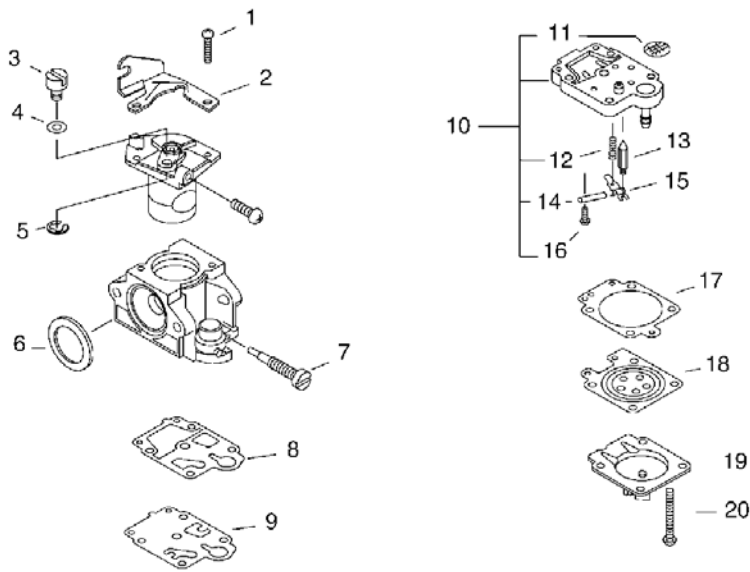
Cutter



Cutter

Key	Lv	Part no.	Part description	Quantity
1		P021-014320	SAW,BUSH CUTTER	1
2		X495-000280	SCABBARD,BLADE	1

Carburettor



Carburettor

Key	Lv	Part no.	Part description	Quantity
		A021-001171	CARBURETOR,DIAPHRAGM	1
		A021-001172	CARBURETOR,DIAPHRAGM	1
1	+	123114-40630	SCREW	2
2	+	P003-000180	BRACKET CABLE	1
3	+	123172-45130	SWIVEL	1
4	+	123149-54230	WASHER	1
5	+	123173-07930	CLIP	1
6	+	123143-12110	RING, PACKING	1
7	+	P003-001130	NEEDLE, HIGH SPEED	1
8	+	P003-000100	GASKET, PUMP	1
9	+	123112-40630	DIAPHRAGM, PUMP	1
10	+	P003-001490	BODY ASSEMBLY, PUMP	1
11	++	123126-10631	SCREEN, INLET	1
12	++	123122-05560	SPRING, METER. LEVER	1
13	++	123137-19830	VALVE, INLET NEEDLE	1
14	++	123138-03930	PIN, METERING LEVER	1
15	++	123123-03930	LEVER, METERING	1
16	++	123139-05560	SCREW, M. LEVER PIN	1
17	+	123140-27230	GASKET,M. DIAPHRAGM	1
18	+	P003-000090	METERING, DIAPHRAGM	1
18	+	P003-001850	DIAPHRAGM, METERING	1
19	+	P003-001500	COVER, PRIMER PUMP	1
20	+	123144-44330	SCREW	4