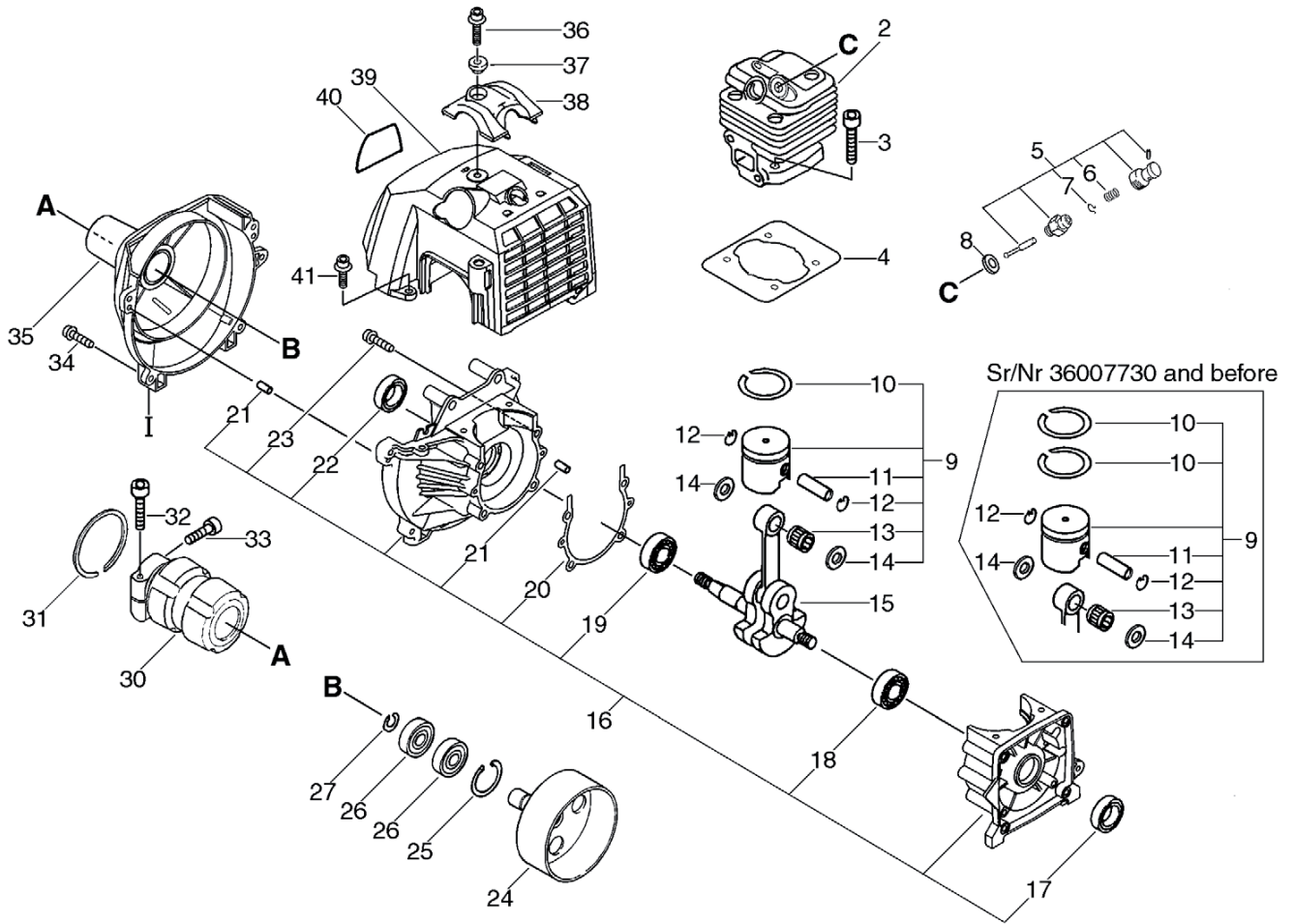


ECHO®



SRM-4000

No.1



Parts List

Date: 25.11.2008 Page: 1

Group: Trimmers/Brushcutters Model: SRM-4000 Section: Cylinder, Crankcase, Piston, Fan Cover

Key	Lv	Part Number	Q'ty	Description	Remarks	Note
2		A130-000200	1	CYLINDER	Sus. by A130-000203	
2		A130-000201	1	CYLINDER	Sus. by A130-000203	
2		A130-000202	1	CYLINDER	Sus. by A130-000203	
2		A130-000203	1	CYLINDER	Sr/Nr 36007730 and before	
2		A130-000720	1	CYLINDER	Sr/Nr 36007731 and after	
3		900162-05020	4	BOLT, H.S. 5*20		
4		V100-000040	1	GASKET, CYL		
5		A014-000000	1	DECOMP, ASM		
6 +		101113-37530	1	SPRING		
7 +		P022-002110	1	CLIP		
8		159025-37530	1	GASKET		
9		P021-002460	1	PISTON KIT	Sus. by P021-002461	
9		P021-002461	1	PISTON KIT	Sr/Nr 36007730 and before	
9		P021-009470	1	PISTON KIT	Sr/Nr 36007731 and after	
10 +		100011-10530	2	RING, PISTON	Can be used on P021-002460, -1 only	
10 +		100011-10530	1	RING, PISTON	Can be used on P021-009470 only	
11 +		V608-000000	1	PIN, ENG 10		
12 +		100015-00120	2	CIRCLIP, PISTON PIN	Can be used on P021-002460, -1 only	
12 +		V580-000010	2	CIRCLIP, PISTON PIN	Can be used on P021-009470 only	
13 +		100012-12331	1	BEARING, NEEDLE		
14 +		V307-000060	2	WASHER, CIRCULAR 10		
15		A011-000120	1	CRANKSHAFT, ASM		
16		P021-002470	1	CRANKCASE SET	Sus. by P021-002471	
16		P021-002471	1	CRANKCASE SET		
17 +		100213-05530	1	OILSEAL		
18 +		94035-36201	1	BEARING BALL		
19 +		900810-36202	1	BEARING, BALL 6202		
20 +		V102-000000	1	GASKET, CRANKCASE	Sus. by V102-000001	

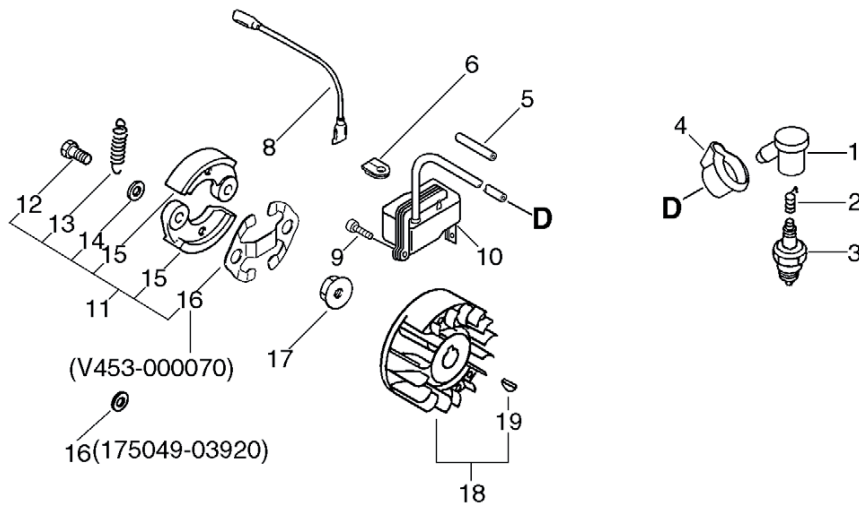
Parts List

Group:Trimmers/Brushcutters Model:SRM-4000 Section:Cylinder, Crankcase, Piston, Fan Cover

Key	Lv	Part Number	Q'ty	Description	Remarks	Note
20	+	V102-000001	1	GASKET,CRANKCASE		
21	+	100215-03930	4	PIN, DOWEL		
22	+	100213-00310	1	OILSEAL		
23	+	900162-05035	4	BOLT, H.S. 5*35		
24		A556-000160	1	DRUM,CLUTCH	Sus. by A556-000181	
24		A556-000161	1	DRUM,CLUTCH	Sus. by A556-000181	
24		A556-000180	1	DRUM,CLUTCH	Sus. by A556-000181	
24		A556-000181	1	DRUM,CLUTCH		
25		900702-00028	1	CIRCLIP 28		
26		900807-06001	2	BEARING, BALL 6001		
27		900701-00012	1	CIRCLIP 12		
30		V420-000420	1	CUSHION	Sus. by V420-000980	
30		V420-000980	1	CUSHION		
31		900702-00045	1	RING, RETAINING (IN)		
32		900162-05028	1	BOLT, H.S. 5*28		
33		900162-05012	1	BOLT, H.S. 5*12		
34		900162-05020	4	BOLT, H.S. 5*20		
35		A172-000150	1	COVER,FAN		
36		900106-05020	1	BOLT, H.S. 5*20		
37		V353-000020	1	COLLAR,5		
38		A162-000020	1	GUARD, TOP		
39		A160-000240	1	COVER,CYLINDER	Sus. by A160-000241	
39		A160-000241	1	COVER,CYLINDER		
40		X503-001970	1	LABEL,MODEL		
41		900106-05012	1	BOLT, H.S. 5*12		

Group:Trimmers/Brushcutters Model:SRM-4000 Section:Magneto, Clutch

No.2



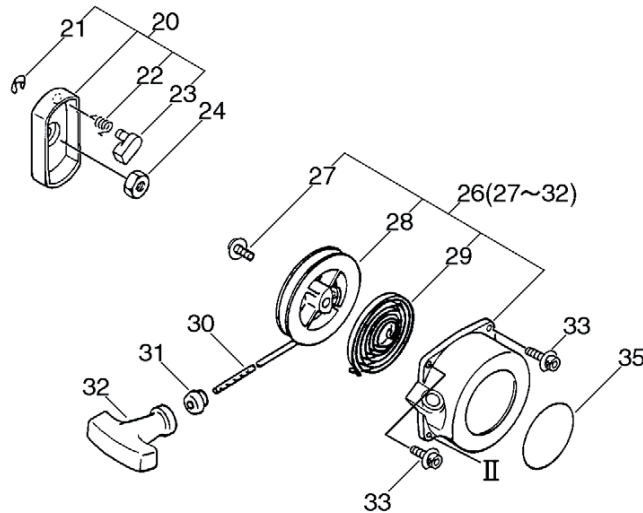
Parts List

Group:Trimmers/Brushcutters Model:SRM-4000 Section:Magneto, Clutch

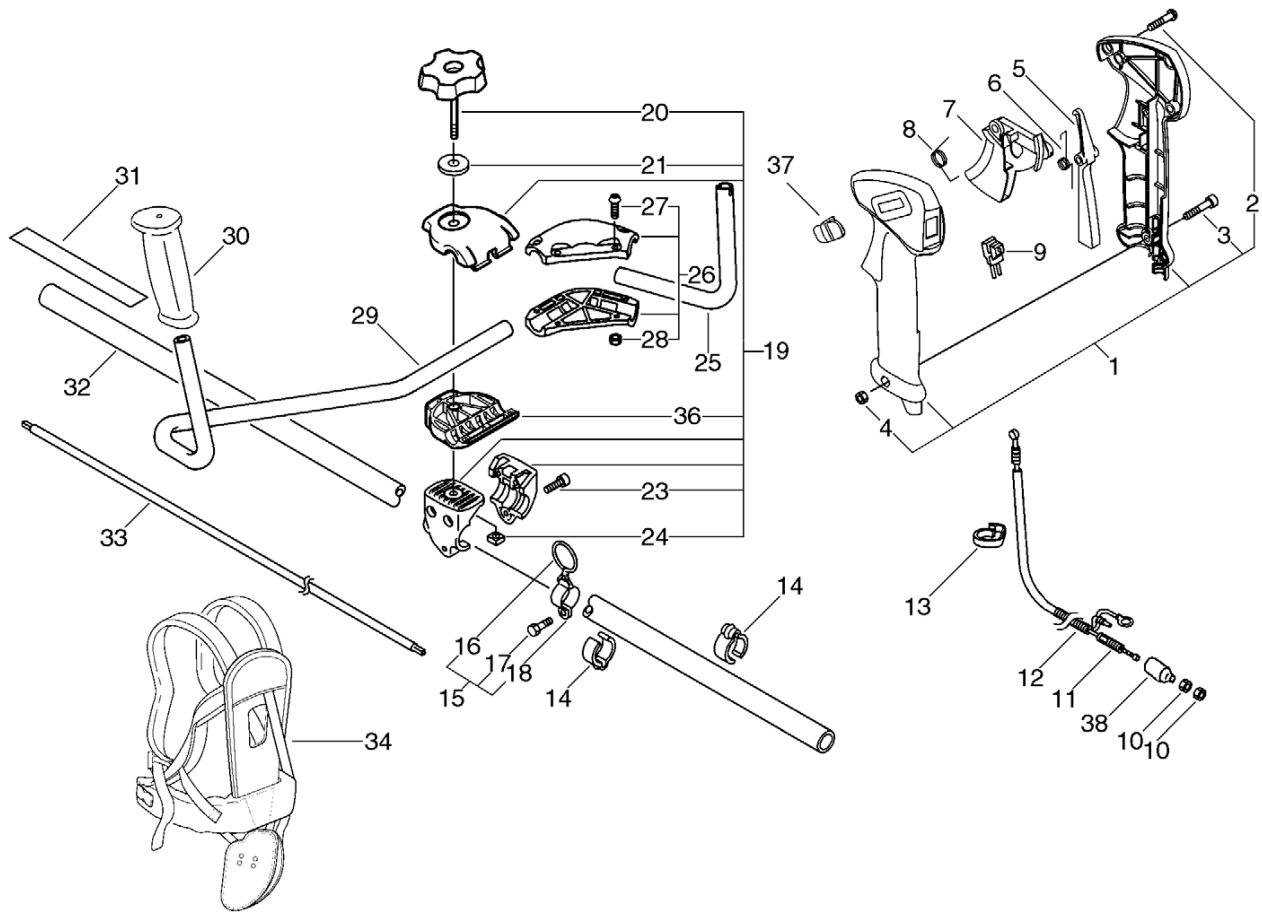
Key	Lv	Part Number	Q'ty	Description	Remarks	Note
1		A427-000000	1	CAP, SPARK PLUG		
2		A426-000000	1	TERMINAL, SPARKPLUG		
3		159017-31730	1	PLUG, SPARK RCJ-6Y		
4		V141-000020	1	GROMMET, PLUG		
5		V475-001610	1	TUBE		
6		156114-04920	1	GROMMET		
8		162010-55630	1	LEAD, GROUND		
9		900162-05020	2	BOLT, H.S. 5*20		
10		A411-000050	1	COIL, IGNITION		
11		P021-002480	1	CLUTCH ASY	Sus. by P021-008190	
11		P021-002481	1	CLUTCH ASY	Sus. by P021-008190	
11		P021-008190	1	CLUTCH ASY		
12	+	A557-000000	2	SHAFT, CLUTCH		
13	+	V451-000230	1	SPRING, TENSION	Sus. by V451-000480	
13	+	V451-000480	1	SPRING, TENSION		
14	+	V346-000000	2	WASHER, WAVE	Sr/Nr 36001720 and before	
14	+	175048-03920	2	WASHER	Sr/Nr 36001721 and after	
15	+	A553-000030	2	ARM, CLUTCH	Sr/Nr 36001720 and before	
15	+	A553-000040	2	ARM, CLUTCH	Sr/Nr 36001721 and after	
16	+	175049-03920	2	WASHER	Sr/Nr 36001720 and before	
16	+	V453-000070	1	SPRING, FLAT	Sr/Nr 36001721 and after	
17		900519-00010	1	NUT, FLANGE 10		
18		A409-000060	1	ROTOR, MAGNETO	Sus. by P021-005911	
18		A409-000061	1	ROTOR, MAGNETO	Sus. by P021-005911	
18		P021-005910	1	ROTOR, MAGNETO KIT	Sus. by P021-005911	
18		P021-005911	1	ROTOR, MAGNETO KIT		
19	+	900323-03014	1	KEY WOODRUFF	Can be used P021-005910,005911	

Group:Trimmers/Brushcutters Model:SRM-4000 Section:Starter

No.3



No.7



Parts List

Date: 25.11.2008 Page: 1

Group: Trimmers/Brushcutters Model: SRM-4000 Section: U-Handle (Sr/Nr 36003580 and before)

Key	Lv	Part Number	Q'ty	Description	Remarks	Note
1		P021-002610	1	GRIP ASY, F-HANDLE	Sus. by P021-002612	
1		P021-002611	1	GRIP ASY, F-HANDLE	Sus. by P021-002612	
1		P021-002612	1	GRIP ASY, F-HANDLE		
2 +		900253-04016	3	SCREW 4*16		
3 +		900220-05030	1	SCREW 5*30		
4 +		900500-00005	1	NUT 5		
5		C460-000010	1	LOCKOUT, THROTTLE	Sus. by C460-000011	
5		C460-000011	1	LOCKOUT, THROTTLE		
6		V452-000050	1	SPRING, TORSION	Sr/Nr 35008035 and before	
6		V452-000130	1	SPRING, TORSION	Sr/Nr 35008036 to 36003580	
7		C450-000020	1	TRIGGER, THROTTLE	Sus. by C450-000022	
7		C450-000021	1	TRIGGER, THROTTLE	Sus. by C450-000022	
7		C450-000022	1	TRIGGER, THROTTLE		
8		V452-000060	1	SPRING, TORSION		
9		A440-000240	1	SWITCH, ON OFF		
10		900502-00006	2	NUT 6 (3N)		
11		V430-000390	1	CABLE, BOWDEN	Sus. by V430-000960	
11		V430-000960	1	CABLE, BOWDEN		
12		178127-43230	1	TUBE		
13		159112-09960	1	CLIP		
14		224924-52930	2	CLIP		
15		301200-05230	1	HOOK ASS'Y		
16 +		301015-05330	1	HOOK, BAND		
17 +		900105-05012	1	BOLT, H.S. 5*12		
18 +		301210-04630	1	HOOK		
19		P021-002760	1	BRACKET ASY, HANDLE	Sus. by P021-002761	
19		P021-002761	1	BRACKET ASY, HANDLE		
20 +		V299-000110	1	KNOB, FASTENER		

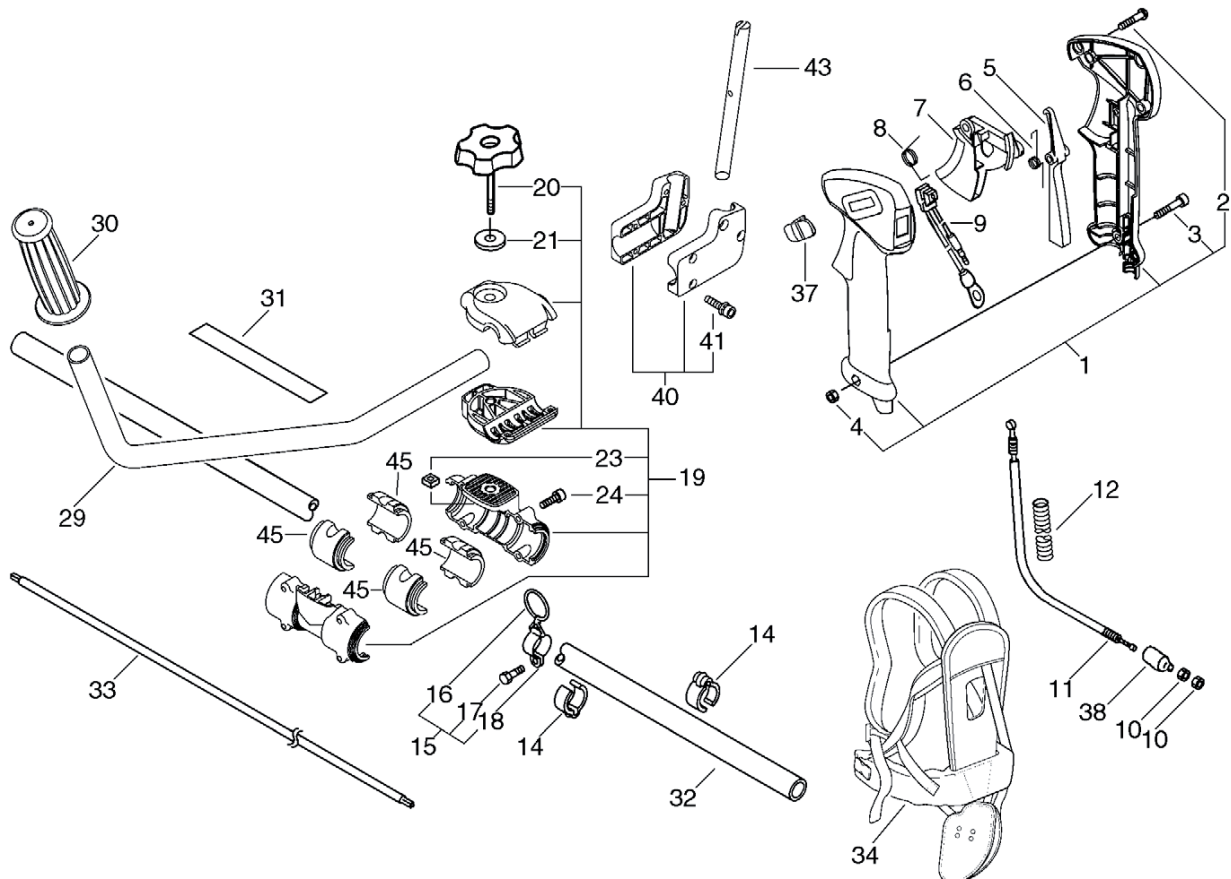
Parts List

Group:Trimmers/Brushcutters Model:SRM-4000 Section:U-Handle(Sr/Nr 36003580 and before)

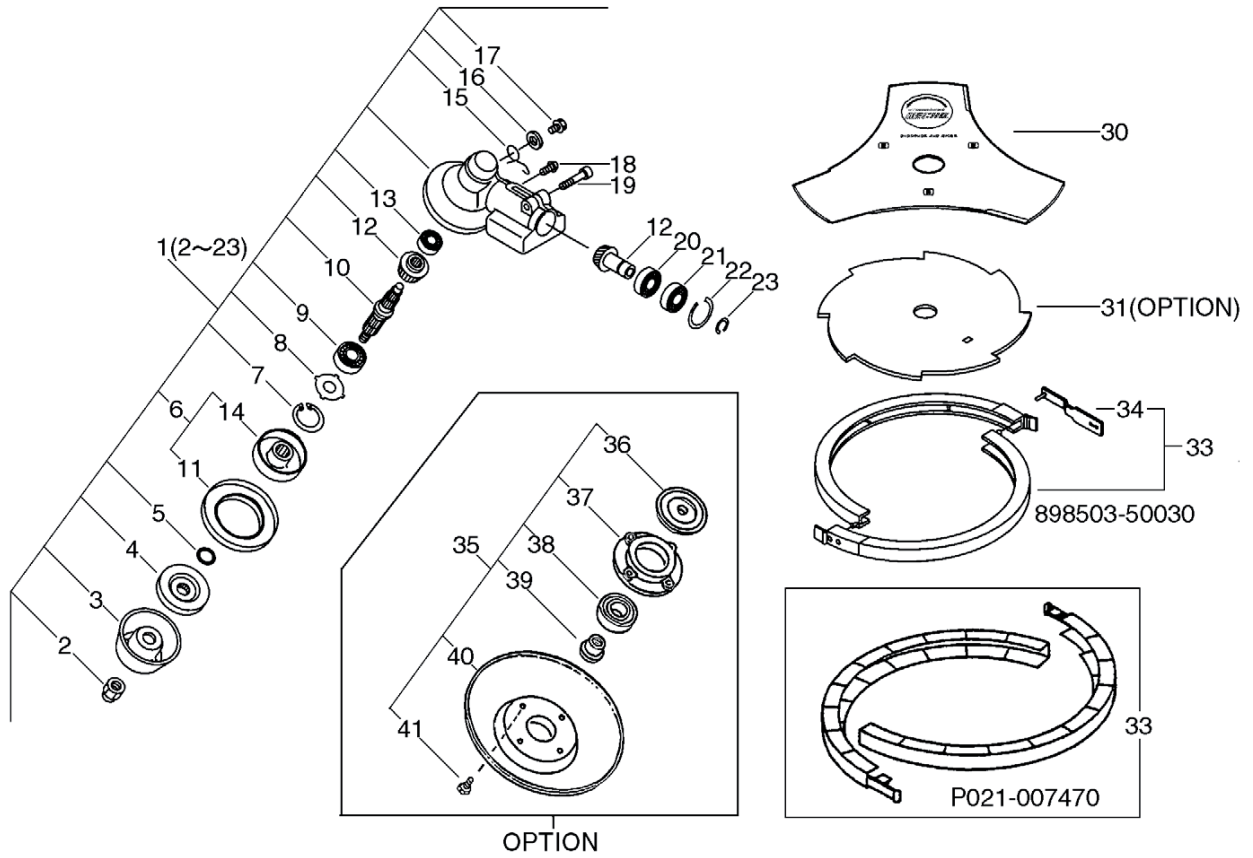
Key	Lv	Part Number	Q'ty	Description	Remarks	Note
21	+	605014-54230	1	WASHER		
23	+	900162-05030	3	BOLT, H.S. 5*30		
24	+	900565-50008	1	NUT		
36	+	C423-000041	1	FIXTURE, HANDLE		
25		351214-52931	1	HANDLE		
26		351202-51430	1	BRACKET ASSY, HANDLE		
27	+	900162-05020	4	BOLT, H.S. 5*20		
28	+	900500-00005	4	NUT 5		
29		351010-52931	1	HANDLE, FRONT		
30		C403-000030	1	GRIP, HANDLE	Sus. by C403-000031	
30		C403-000031	1	GRIP, HANDLE		
31		890617-43130	1	LABEL, CAUTION		
32		C050-000050	1	PIPE, MAIN		
33		610011-49930	1	SHAFT, DRIVE		
34		301001-56831	1	HARNESS ASY, SHOULDER	Sus. by C062-000180	
34		C062-000180	1	HARNESS ASY, SHOULDER		
37		C463-000000	1	KNOB, LATCH	Sr/Nr 35008036 to 36003580	
38		V494-000080	1	CAP	Sr/Nr 35006536 to 36003580	

Group:Trimmers/Brushcutters Model:SRM-4000 Section:U-Handle(Sr/Nr 36003581 and after)

No. 8



No.9



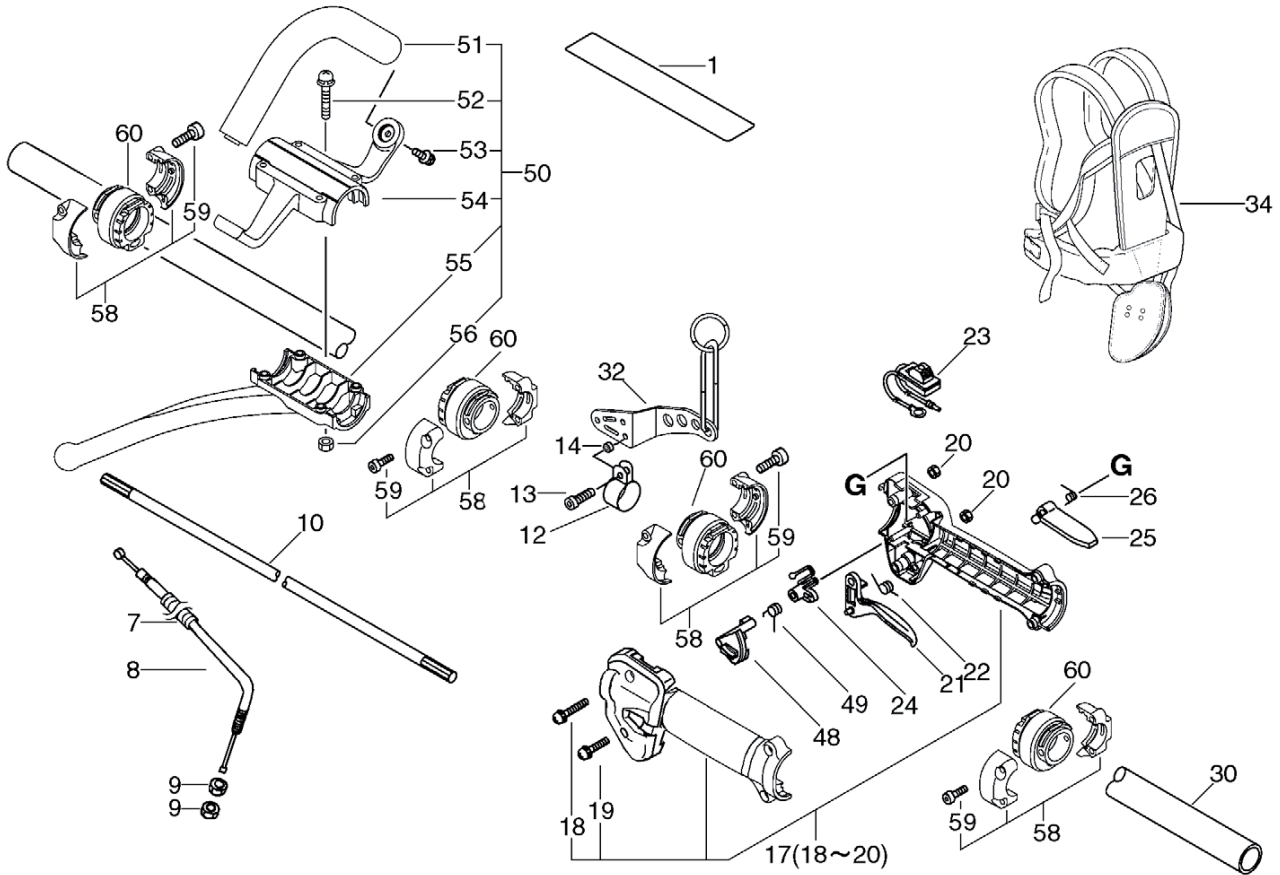
Parts List

Date: 25.11.2008 Page: 1

Group: Trimmers/Brushcutters Model: SRM-4000 Section: Gear Case (U-Handle Type), Blade

Key	Lv	Part Number	Q'ty	Description	Remarks	Note
1		610400-56931	1	CASE ASY, GEAR	Sus. by 610400-56932	
1		610400-56932	1	CASE ASY, GEAR		
2	+	610320-52130	1	NUT 10		
3	+	699229-56830	1	PLATE, COVER		
4	+	610314-52130	1	PLATE, ADAPTER (L)		
5	+	900720-00012	1	O-RING 12		
6	+	C535-000000	1	FIXTURE, BLADE	Sus. by C535-000001	
6	+	C535-000001	1	FIXTURE, BLADE		
11	++	610352-56830	1	PLATE, CUP		
14	++	C535-000010	1	FIXTURE, BLADE	Sus. by C535-000011	
14	++	C535-000011	1	FIXTURE, BLADE		
7	+	900702-00032	1	CIRCLIP 32		
8	+	610444-56830	1	WASHER		
9	+	900812-06201	1	BEARING, BALL 6201		
10	+	610310-56930	1	SHAFT, P.T.O.		
12	+	610300-56930	1	GEAR SET		
13	+	900810-00629	1	BEARING, BALL 629		
15	+	610473-52131	1	SPRING		
16	+	900603-50008	1	WASHER		
17	+	610434-50030	1	BOLT 8* 6	Sus. by 610434-50031	
17	+	610434-50031	1	BOLT 8* 8		
18	+	900242-05010	1	SCREW 5*10		
19	+	900162-06030	1	BOLT, H.S. 6*30		
20	+	900800-06001	1	BEARING, BALL 6001		
21	+	900803-06001	1	BEARING, BALL 6001		
22	+	900702-00028	1	CIRCLIP 28		
23	+	900701-00012	1	CIRCLIP 12		
30		X405-000000	1	SAW, BUSH CUTTER	Sus. by X405-000001	

No.11



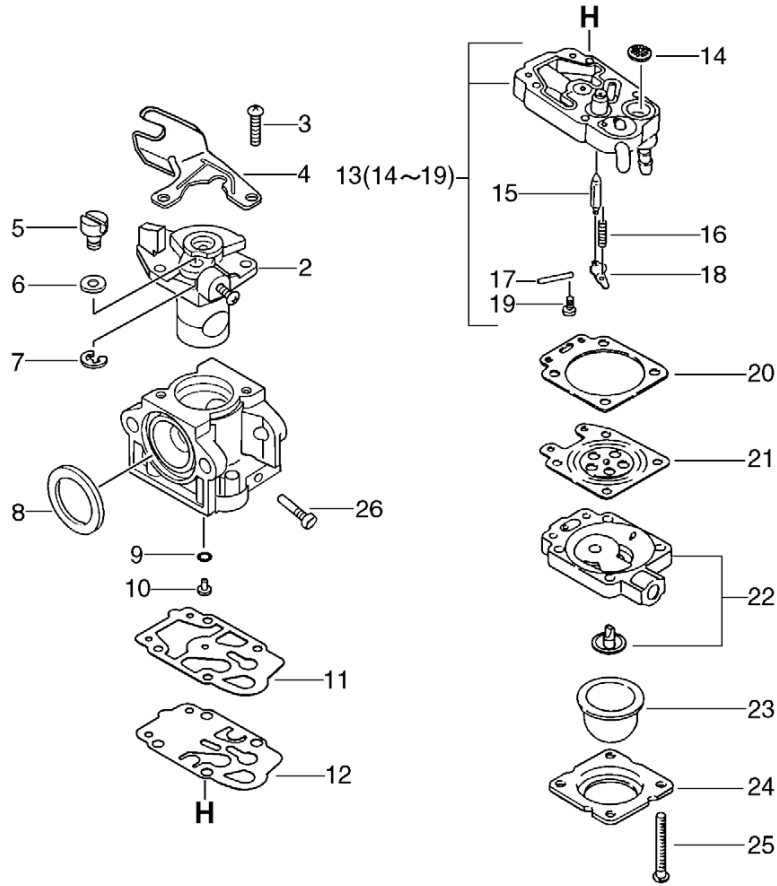
Parts List

Date:25.11.2008 Page: 1

Group:Trimmers/Brushcutters Model:SRM-4000 Section:Loop Handle(Sr/Nr 36004451 and after)

Key	Lv	Part Number	Q'ty	Description	Remarks	Note
1		X505-000140	1	LABEL, CAUTION		
7		V475-003580	1	TUBE		
8		V430-001460	1	CABLE, BOWDEN		
9		900502-00006	2	NUT 6 (3N)		
10		610011-49930	1	SHAFT, DRIVE		
12		301207-07530	2	HOOK		
13		900105-05018	2	BOLT, H.S. 5*18		
14		V353-000090	2	COLLAR, 5		
17		P021-007990	1	BRACKET SET, THROTTLE		
18 +		900242-05035	1	SCREW 5*35		
19 +		900242-05025	3	SCREW 5*25		
20 +		900500-00005	4	NUT 5		
21		C450-000110	1	TRIGGER, THROTTLE		
22		V452-000200	1	SPRING, TORSION		
23		A440-000600	1	SWITCH, ON OFF		
24		C461-000000	1	LATCH, THROTTLE		
25		178090-52631	1	LOCKOUT, T. CONTROL	Sus. by 178090-52632	
25		178090-52632	1	LOCKOUT, T. CONTROL		
26		178013-52630	1	SPRING, THR. LOCK		
30		C050-000050	1	PIPE, MAIN		
32		C624-000020	1	HANGER, HARNESS		
34		C062-000180	1	HARNESS, SHOULDER		
48		C461-000010	1	LATCH, THROTTLE		
49		V452-000120	1	SPRING, TORSION		
50		P021-009200	1	HANDLE ASY, LOOP		
51 +		351205-07130	1	HANDLE		
52 +		900242-05035	4	SCREW 5*35		
53 +		900242-05014	2	SCREW 5*14		

No.13



Parts List

Date: 25.11.2008 Page: 1

Group: Trimmers/Brushcutters Model: SRM-4000 Section: Carburetor (Sr/Nr 36007730 and before)

Key	Lv	Part Number	Q'ty	Description	Remarks	Note
		A021-000280	1	CARBURETOR, DIAPHRAGM	Sus. by A021-001050	
		A021-000281	1	CARBURETOR, DIAPHRAGM	Sus. by A021-001050	
		A021-000282	1	CARBURETOR, DIAPHRAGM	Sus. by A021-001050	
		A021-001050	1	CARBURETOR, DIAPHRAGM		
2	+	P003-000500	1	VALVE ASY THROTTLE	Can be used on A021-000280,281	
3	+	123114-40630	2	SCREW		
4	+	P003-000180	1	BRACKET CABLE		
5	+	123172-45130	1	SWIVEL		
6	+	123149-54230	1	WASHER		
7	+	123173-07930	1	CLIP		
8	+	123143-12110	1	RING, PACKING		
9	+	123183-40630	1	O-RING		
10	+	P003-000490	1	JET	Sr/Nr 001535 to 36002230	
10	+	P003-000530	1	JET	Sr/Nr 001536 to 36002230	
11	+	123125-40630	1	GASKET, PUMP		
12	+	123112-40630	1	DIAPHRAGM, PUMP		
13	+	P003-000510	1	BODY ASSEMBLY, PUMP		
14	++	123126-10631	1	SCREEN, INLET		
15	++	123137-19830	1	VALVE, INLET NEEDLE		
16	++	123122-05560	1	SPRING, METER. LEVER		
17	++	123138-03930	1	PIN, METERING LEVER		
18	++	123123-03930	1	LEVER, METERING		
19	++	123139-05560	1	SCREW, M. LEVER PIN		
20	+	123140-05560	1	GASKET, M. DIAPHRAGM		
21	+	123141-03930	1	DIAPHRAGM, METERING	Sr/Nr 001535 and before	
21	+	P003-000090	1	METERING, DIAPHRAGM	Sr/Nr 001536 and after	
22	+	123180-05560	1	BODY, AIR PURGE		
23	+	123181-40630	1	PUMP, PRIMER		

