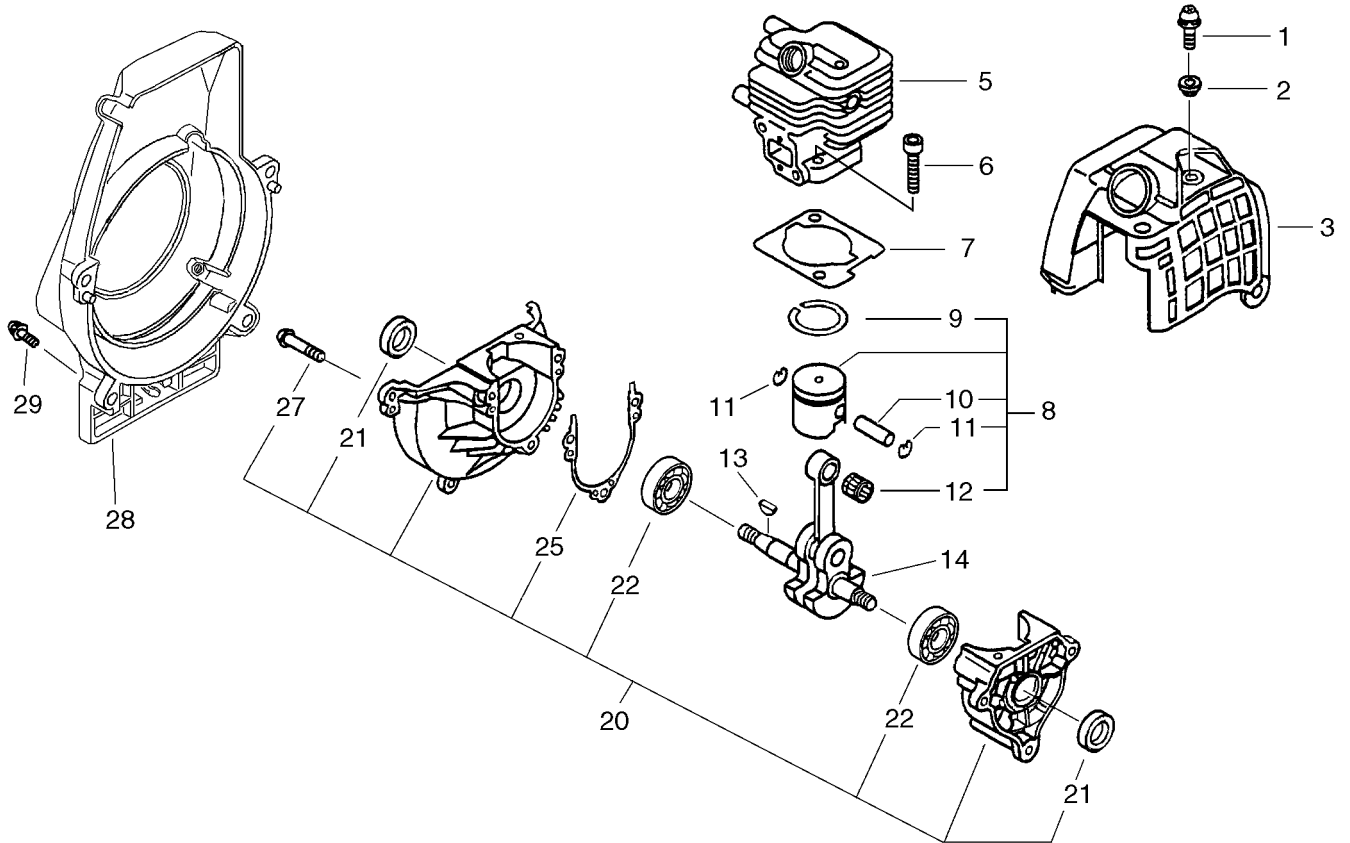


**ECHO**®



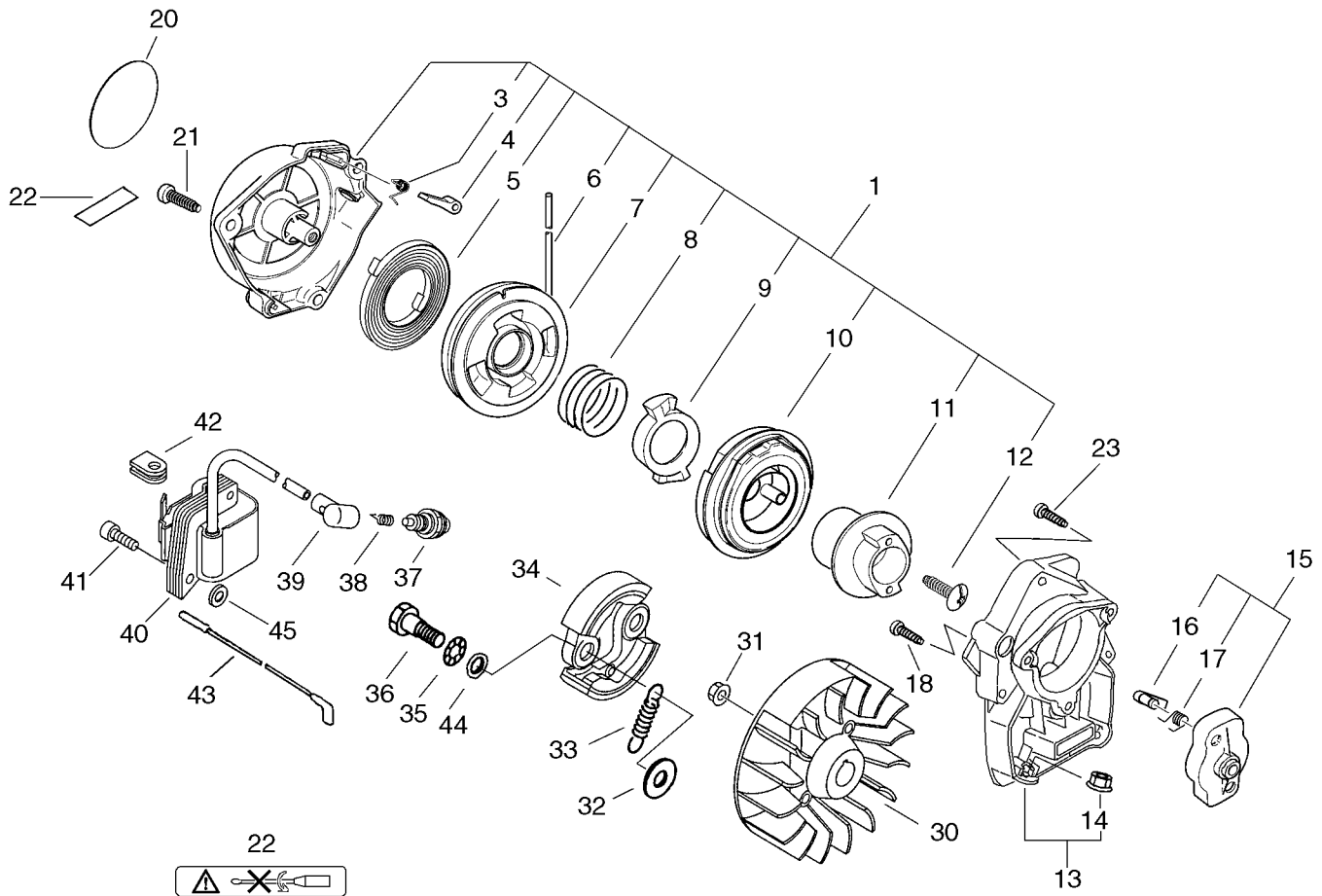
**SHR-150SI**

# SHR-150SI 1 Cylinder, Crankcase, Piston



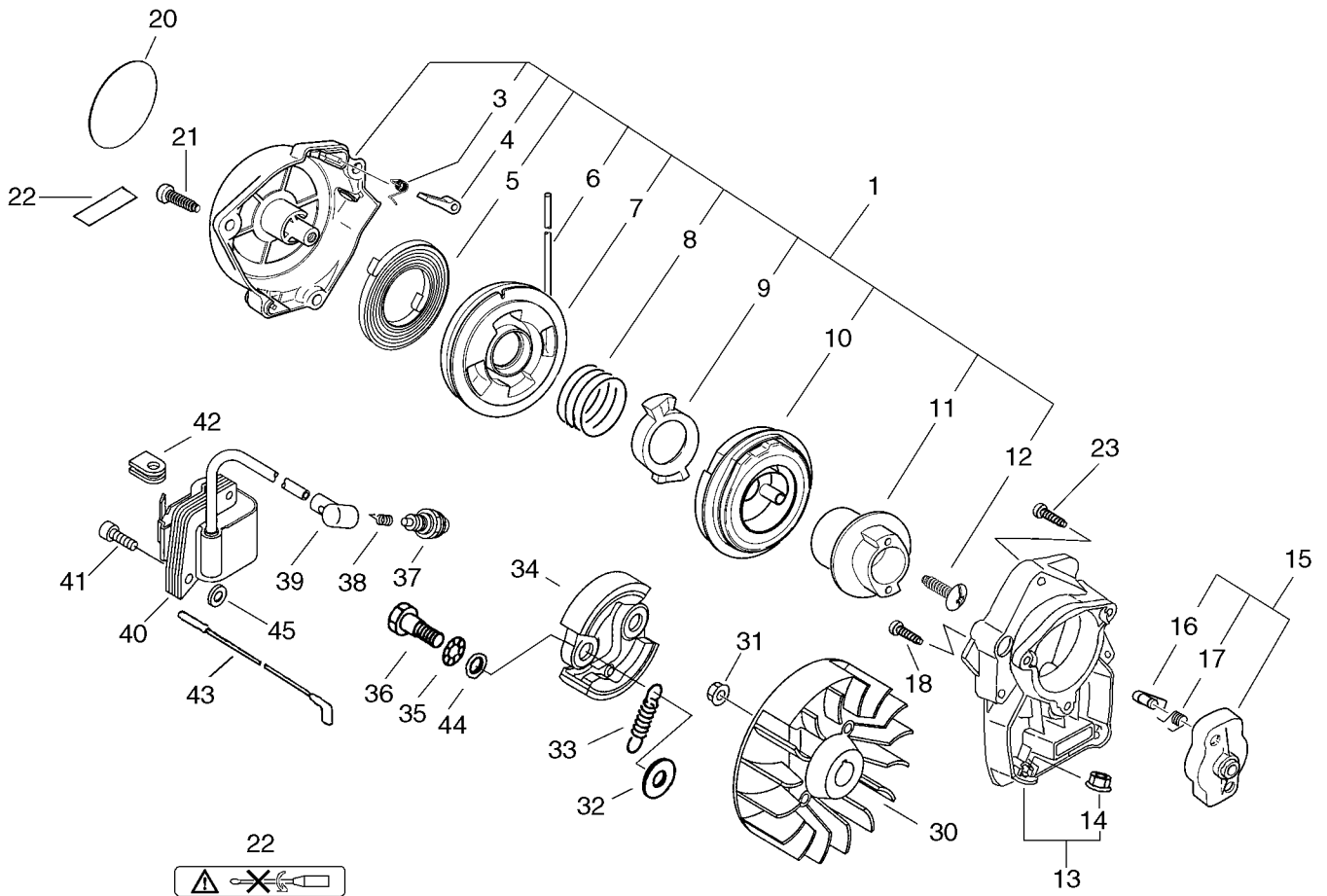
KEY	LV	PART NUMBER	Q'TY	DESCRIPTION	REMARKS
1		900239-05018	1	SCREW 5*18	
2		150117-16430	1	SPACER	
3		101514-61831	1	COVER, CYLINDER	
5		A130-000611	1	CYLINDER	
6		900162-05020	2	BOLT, H.S. 5*20	
7		V100-000120	1	GASKET, CYL	
8		P021-008710	1	PISTON KIT	
9	+	A101-000090	1	RING, PISTON	
10	+	100013-61830	1	PIN, PISTON	
11	+	100015-61830	2	RING, SNAP	
12	+	100012-61830	1	BEARING, NEEDLE	
13		100142-12330	1	KEY, WOODRUFF	
14		100100-61831	1	CRANKSHAFT	
20		P021-004340	1	CRANK CASE KIT	
21	+	100212-61830	2	OILSEAL	
22	+	900810-36000	2	BEARING, BALL	
25	+	100242-61830	1	GASKET, CRANKCASE	
27	+	900162-05025	3	BOLT, H.S. 5*25	
28		A172-000370	1	COVER, FAN	
29		900239-05016	4	SCREW 5*16	

# SHR-150SI 2 Starter, Magneto

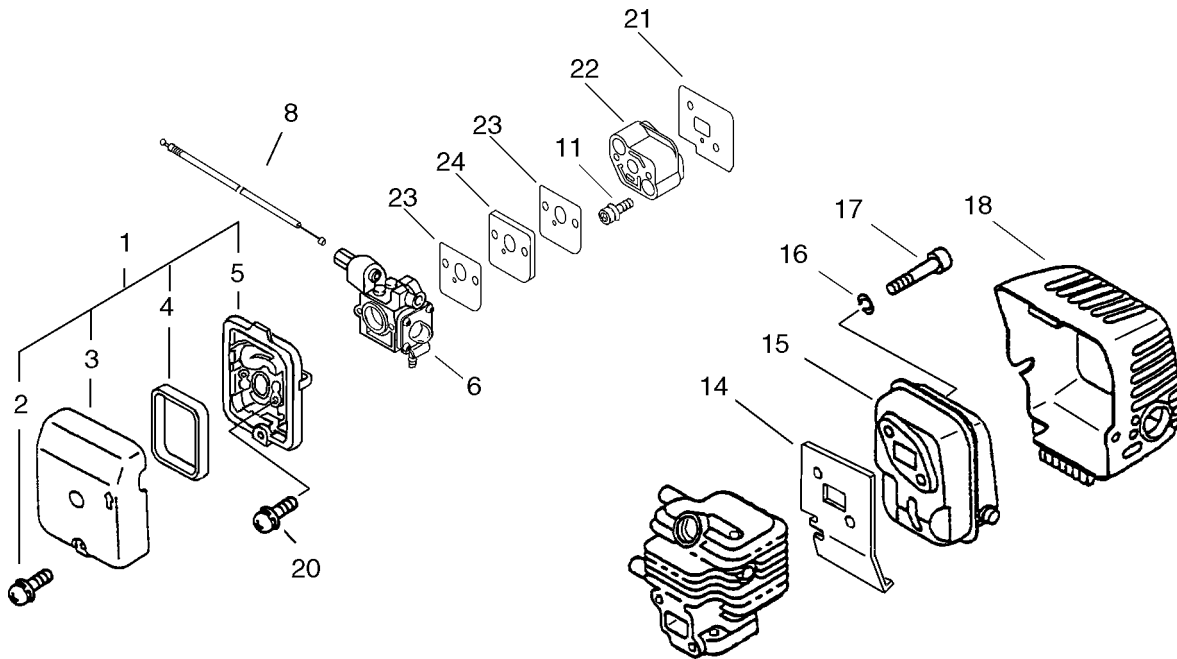


KEY	LV	PART NUMBER	Q'TY	DESCRIPTION	REMARKS
1		A051-000571	1	STARTER,RECOIL	
3	+	P022-004610	2	SPRING, RETURN	
4	+	P022-004620	2	PAWL, STARTER	
5	+	P022-004680	1	SPRING, SPIRAL	
6	+	P022-006430	1	ROPE, STARTER	
7	+	P022-004690	1	REEL, ROPE	
8	+	P022-004660	1	SPRING, RETURN	
9	+	P022-004670	1	PAWL, STARTER	
10	+	P022-005230	1	COMPLETE, SPRING	
11	+	P022-004640	1	PLATE, CAM	
12	+	P022-004630	1	SCREW	
13		V376-000460	1	SPACER	
14	+	900515-00006	2	NUT, FLANGE 6	
15		A052-000140	1	PULLEY,ASM STARTER	
16	+	P022-005080	2	PAWL, STARTER	
17	+	177234-12220	2	SPRING, PAWL	
18		900239-05022	1	SCREW 5*22	
20		X502-000460	1	LABEL,ECHO	
21		900253-05020	3	SCREW 5*20	
22		X505-000620	1	LABEL,CAUTION	
23		900239-05016	2	SCREW 5*16	
30		A409-000180	1	ROTOR,MAGNETO	
31		900515-00006	1	NUT, FLANGE 6	
32		175048-05530	2	WASHER (I)	

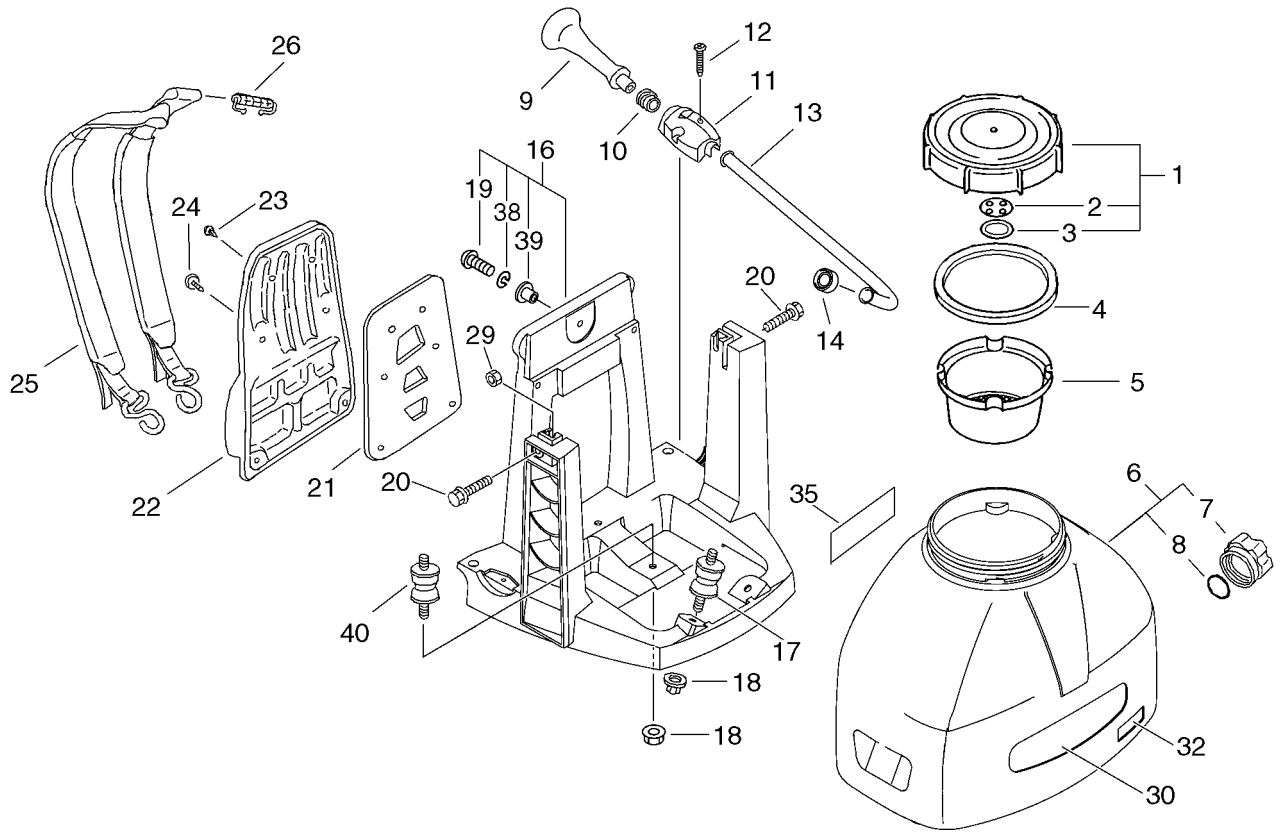
# SHR-150SI 2 Starter, Magneto



KEY	LV	PART NUMBER	Q'TY	DESCRIPTION	REMARKS
33		V451-000040	1	SPRING, TENSION	
34		175009-55931	2	SHOE, CLUTCH	
35		175049-56030	2	WASHER	
36		175046-56030	2	SHAFT, CLUTCH	
37		159010-10230	1	PLUG, SPARK (BPMR-7A)	
38		159011-03432	1	COIL, SPARK PLUG	
39		159012-03433	1	CAP, SPARK PLUG	
40		156626-61831	1	COIL, IGNITION	
41		91128-04022	2	BOLT HSH	
42		156112-61831	1	GROMMET, H.T. CORD	
43		V485-000410	1	LEAD	
44		V306-000020	2	WASHER, CIRCULAR 8	
45		150117-09130	2	SPACER	

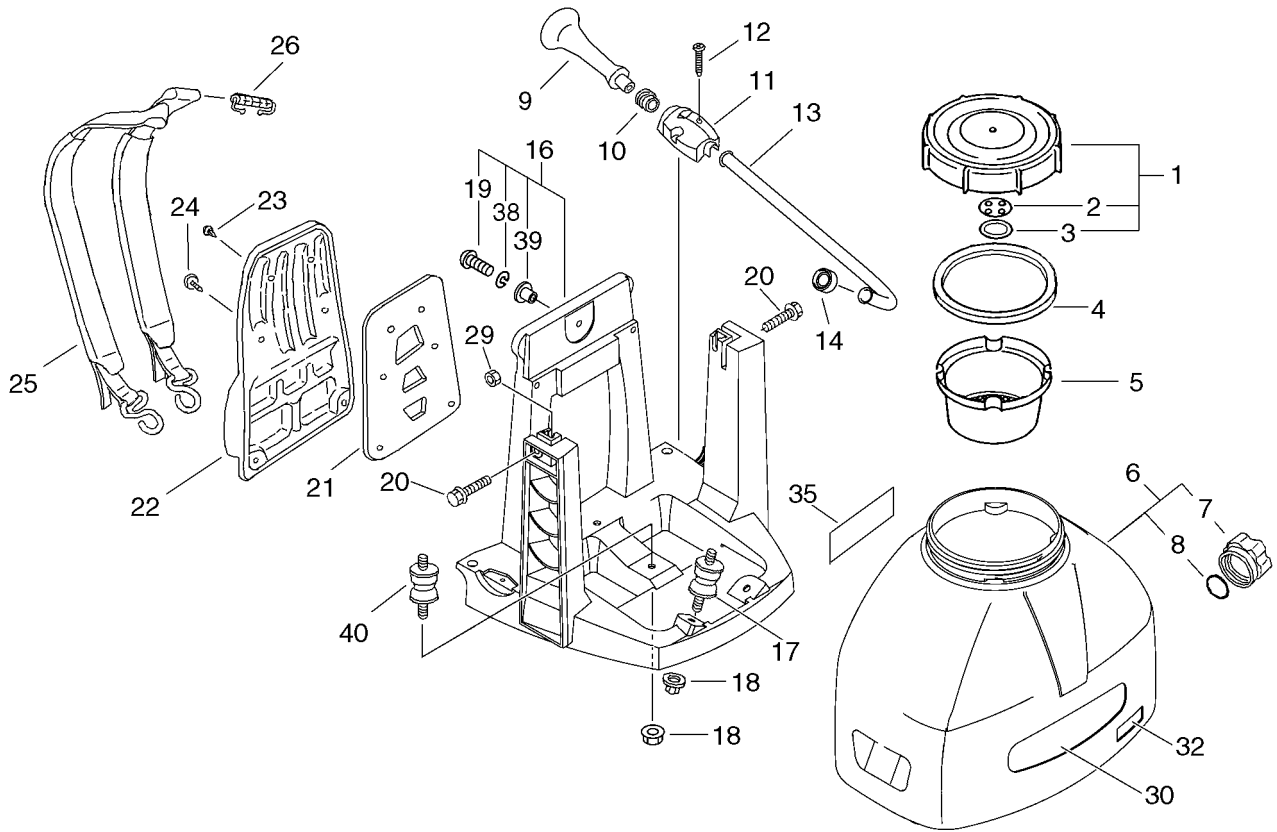


KEY	LV	PART NUMBER	Q'TY	DESCRIPTION	REMARKS
1		A027-00020	1	CLEANER,ASM AIR	
2	+	900238-05016	1	SCREW 5*16	
3	+	130308-13410	1	COVER, AIR CLEANER	
4	+	130310-13410	1	FILTER, AIR	
5	+	P022-006540	1	ASY,CLEANER BASE	
6		A021-000661	1	CARBURETOR,DIAPHRAGM	
8		V430-000890	1	CABLE,BOWDEN	
11		900106-05020	2	BOLT, H.S. 5*20	
14		145510-61832	1	GASKET, MUFFLER	
15		P021-008731	1	MUFFLER ASY	
16		900600-00005	2	WASHER 5	
17		900105-05050	2	BOLT, H.S. 5*50	
18		145621-61831	1	COVER, MUFFLER	
20		900242-05060	2	SCREW 5*60	
21		V103-000190	1	GASKET,INTAKE	
22		A200-000160	1	INSULATOR,INTAKE	
23		V103-000230	2	GASKET,INTAKE	
24		A200-000210	1	INSULATOR,INTAKE	



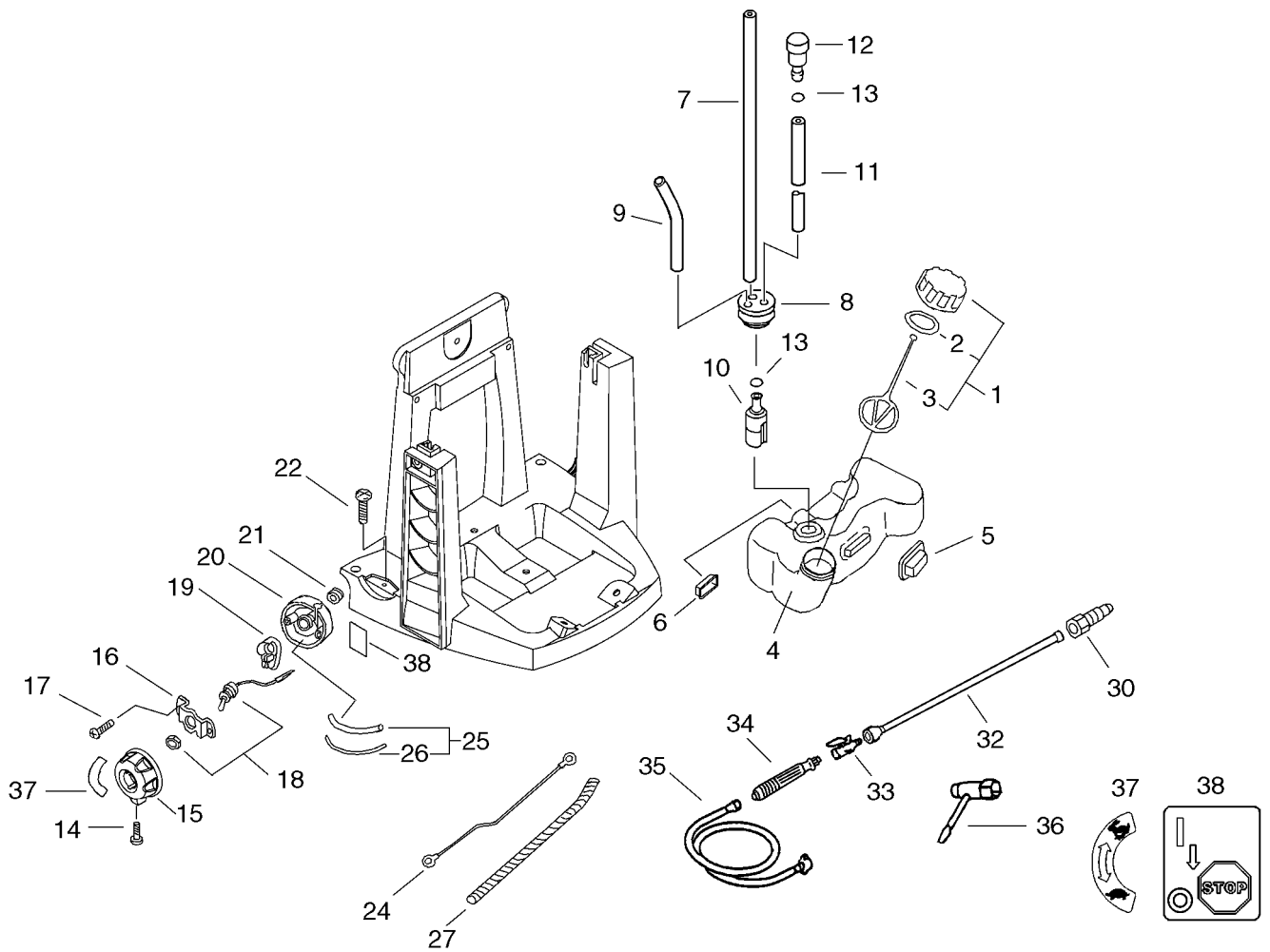
KEY	LV	PART NUMBER	Q'TY	DESCRIPTION	REMARKS
1		250001-14010	1	CAP, CHEMICAL TANK	
2	+	250026-11310	1	VALVE, AIR	
3	+	250027-11310	1	PACKING	
4		250011-01110	1	GASKET, CHMCL. TANK	
5		E220-000010	1	FILTER, TANK	
6		P021-005662	1	TANK, CHEMICAL SET	
7	+	250211-11410	1	NUT, HOSE	
8	+	900720-30028	1	O-RING P-28 (F)	
9		A511-000050	1	GRIP, STARTER	
10		A510-000040	1	GUIDE, ROPE	
11		C405-000080	1	BRACKET, HANDLE	
12		91428-05020	2	SCREW TAPPING	
13		A510-000050	1	GUIDE, ROPE	
14		V420-000630	1	CUSHION	
16		P021-010050	1	FRAME, BACKPACK KIT	
19	+	900220-06015	1	SCREW +SR 6*15	
38	+	900605-00006	1	WASHER, SPRING 6	
39	+	V354-000150	1	COLLAR, 6	
17		V402-000010	2	CUSHION, 6	
18		250916-06210	3	NUT	
20		900103-06020	2	BOLT, FLANGE 6*20	
21		C630-000030	1	SEAT, BACKPACK	
22		C630-000020	1	SEAT, BACKPACK	
23		300333-06160	2	CLIP	

# SHR-150SI 4 Back Pack, Chemical Tank



KEY	LV	PART NUMBER	Q'TY	DESCRIPTION	REMARKS
24		V491-000090	4	CLIP	
25		C061-000090	2	HARNES,ASM BACKPACK	
26		V491-000040	2	CLIP	
29		900518-00006	2	NUT, FLANGE	
30		X502-000470	1	LABEL,ECHO	
32		X503-008370	1	LABEL,MODEL	
35		890617-13210	1	LABEL, CAUTION	
40		V402-000030	1	CUSHION,6	

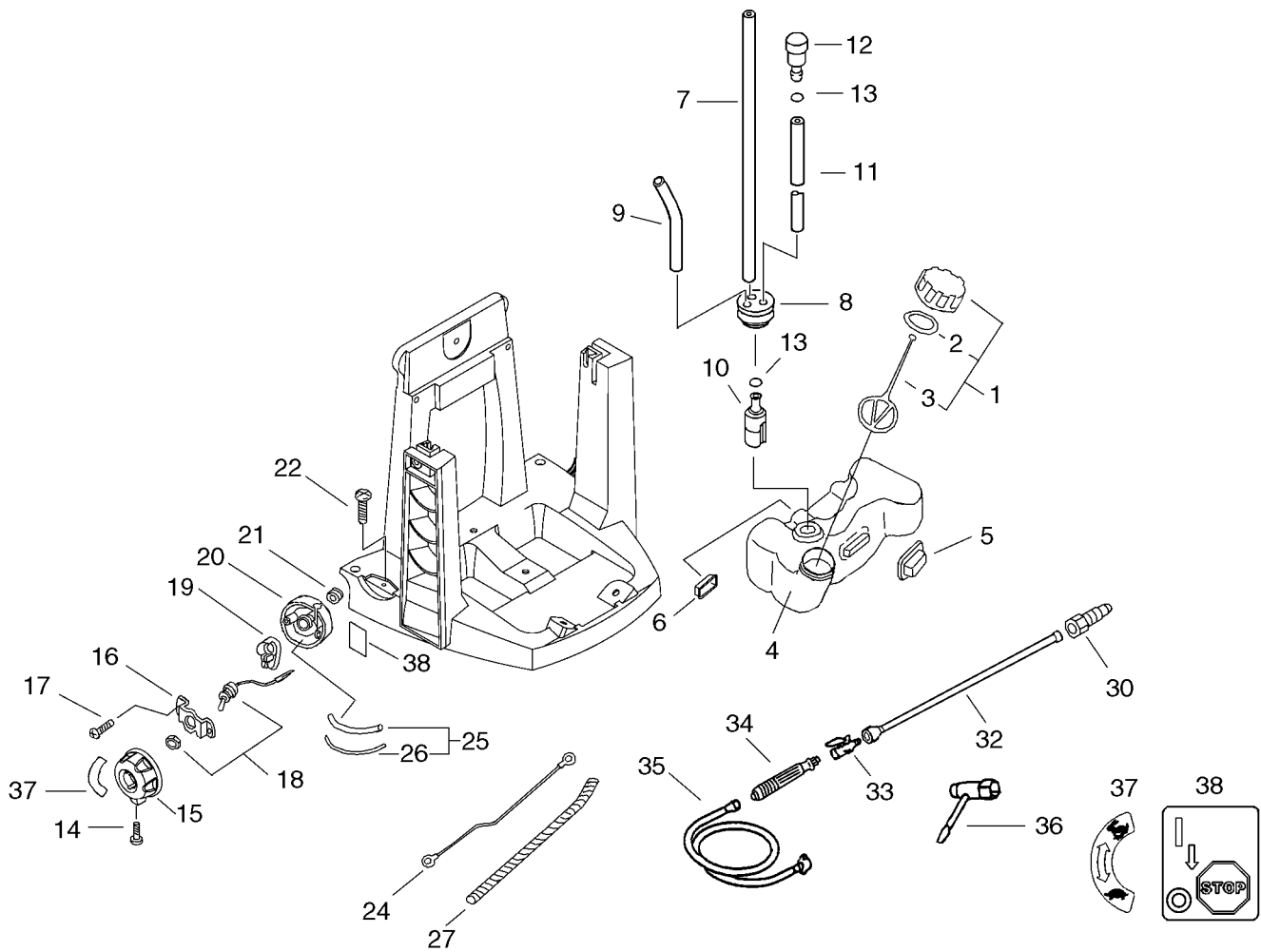
# SHR-150SI 5 Fuel Tank, Nozzel, Tool



KEY	LV	PART NUMBER	Q'TY	DESCRIPTION	REMARKS
1		131004-55530	1	CAP ASSY, FUEL TANK	
2	+	131016-55830	1	GASKET, FUEL CAP	
3	+	131051-56030	1	CLIP, FUEL CAP	
4		A350-000250	1	TANK, FUEL	
5		131920-61830	1	CUSHION, FUEL TANK	
6		131920-55430	2	CUSHION, FUEL TANK	
7		132010-52030	1	PIPE	
8		132115-46730	1	GROMMET, FUEL	
9		132010-56330	1	PIPE 3*6*90	
10		131205-07320	1	STRAINER, FUEL	
11		V471-000110	1	PIPE	
12		131300-56430	1	VALVE, CHECK	
13		132013-26630	2	CLIP	
14		900253-04014	1	SCREW 4*14	
15		C473-000011	1	KNOB, THROTTLE	
16		A439-000100	1	BRACKET, SWITCH	
17		900252-04010	2	SCREW 4*10	
18		A440-000420	1	SWITCH, ON OFF	
19		C453-000080	1	LEVER, THROTTLE	
20		C471-000070	1	FIXTURE, TRIGGER	
21		150614-02910	1	GROMMET	
22		91428-05020	1	SCREW TAPPING	
24		V485-000400	1	LEAD	
25		P021-007120	1	SPRING, FLAT SET	

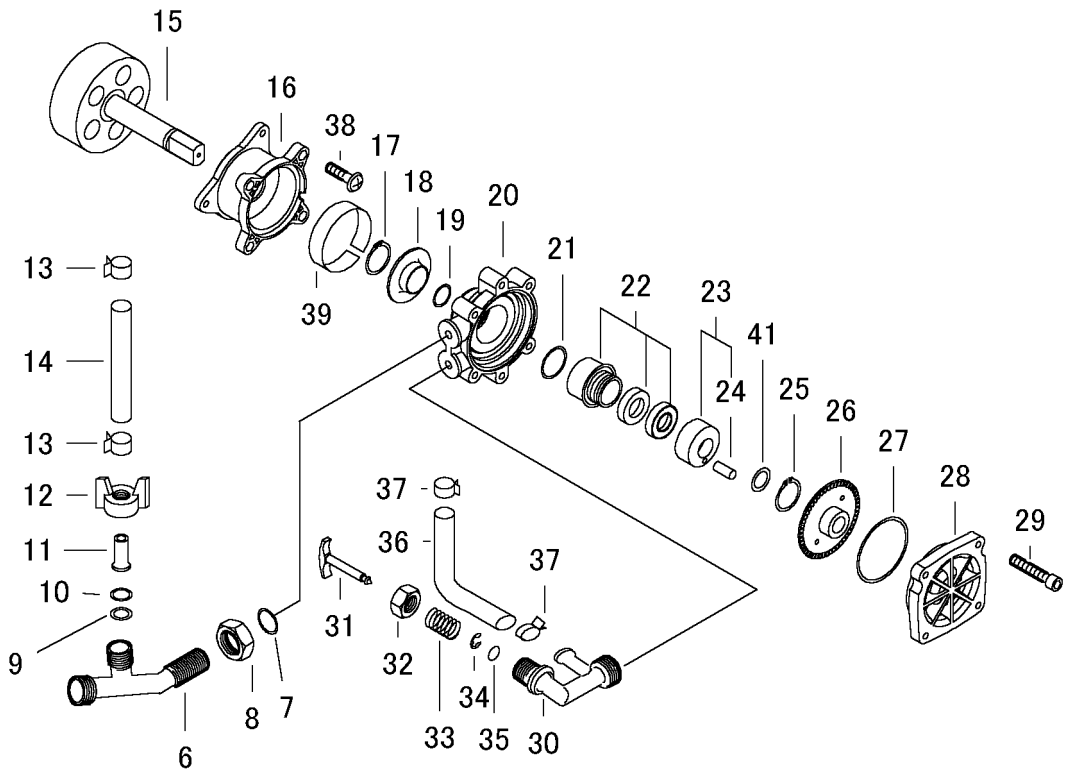


# SHR-150SI 5 Fuel Tank, Nozzel, Tool



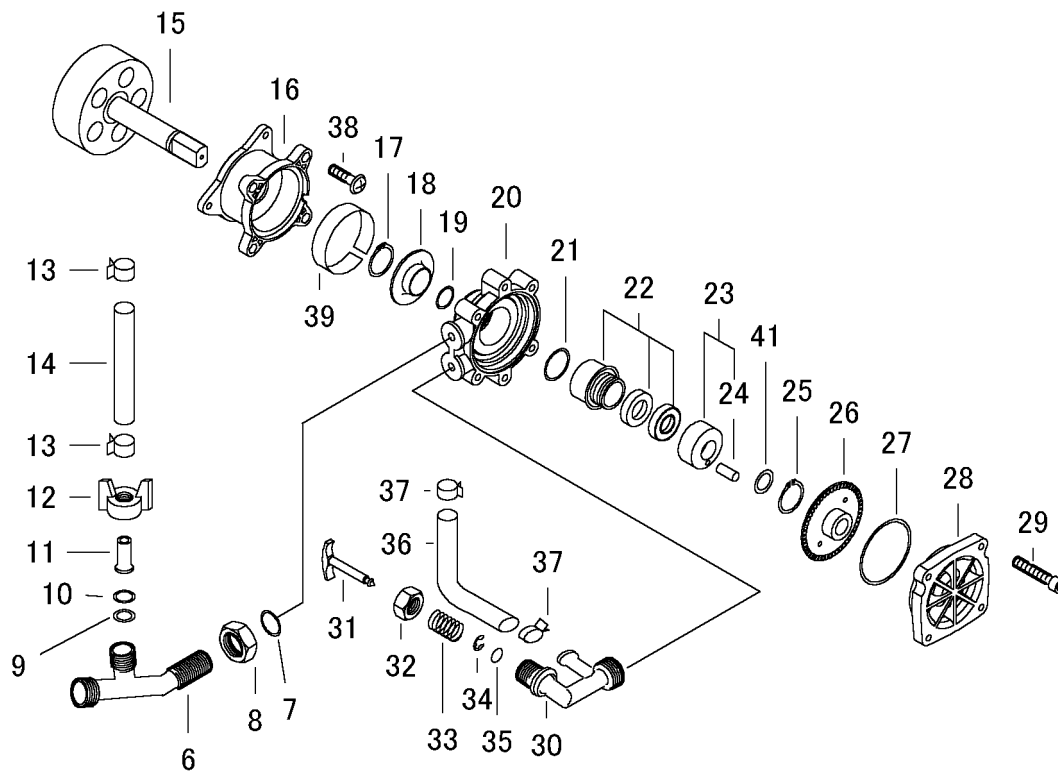
KEY	LV	PART NUMBER	Q'TY	DESCRIPTION	REMARKS
26	+	V453-000050	1	SPRING,FLAT	
27		V475-002740	1	TUBE	
30		224103-10610	1	NOZZLE, ADJUSTABLE	
32		E270-000030	1	PIPE,NOZZLE	
33		E245-000070	1	COCK,LIQUID	
34		E271-000000	1	GRIP,NOZZLE	
35		384002-12710	1	HOSE 7.5*1.2M BL	
36		895410-03930	1	WRENCH, W/S. DRIVER	
37		890015-13210	1	LABEL, THROTTLE	
38		890157-06560	1	LABEL, SWITCH	

# SHR-150SI 6 Pump



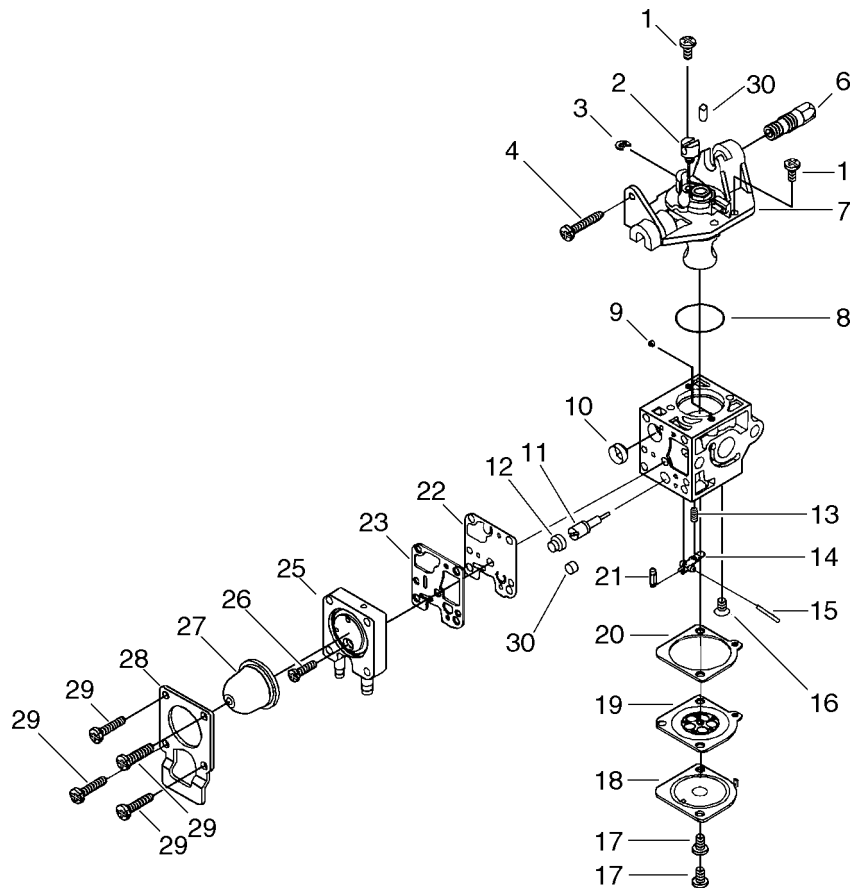
KEY	LV	PART NUMBER	Q'TY	DESCRIPTION	REMARKS
6		384013-11610	1	NIPPLE, OUTLET PUMP	
7		900722-00100	1	O-RING P-10A	
8		384029-10510	1	NUT	
9		386018-10510	1	WASHER, CIRCULAR	
10		386019-10510	1	GASKET, BYPASS NOZZLE	
11		386013-14010	1	NIPPLE, HOSE	
12		386015-10510	1	NUT, WING	
13		132013-14010	2	BAND	
14		382011-15310	1	PIPE	
15		A556-000240	1	DRUM, CLUTCH	
16		E202-000030	1	BASE, PUMP	
17		900701-00012	1	CIRCLIP 12	
18		405114-10510	1	PLATE	
19		900724-30010	1	O-RING	
20		E203-000012	1	CASE, PUMP	
21		900724-00029	1	O-RING (S-29)	
22		405100-11410	1	SEAL, UNIT	
23		P021-006750	1	COUPLING, SEAL UNIT	
24	+	405113-10510	1	PIN	
25		900704-00012	1	CIRCLIP 12	
26		405110-10512	1	IMPELLER	
27		900724-30067	1	O-RING	
28		E205-000001	1	LID, PUMP	
29		900162-05040	4	BOLT, H.S. 5*40	

# SHR-150SI 6 Pump



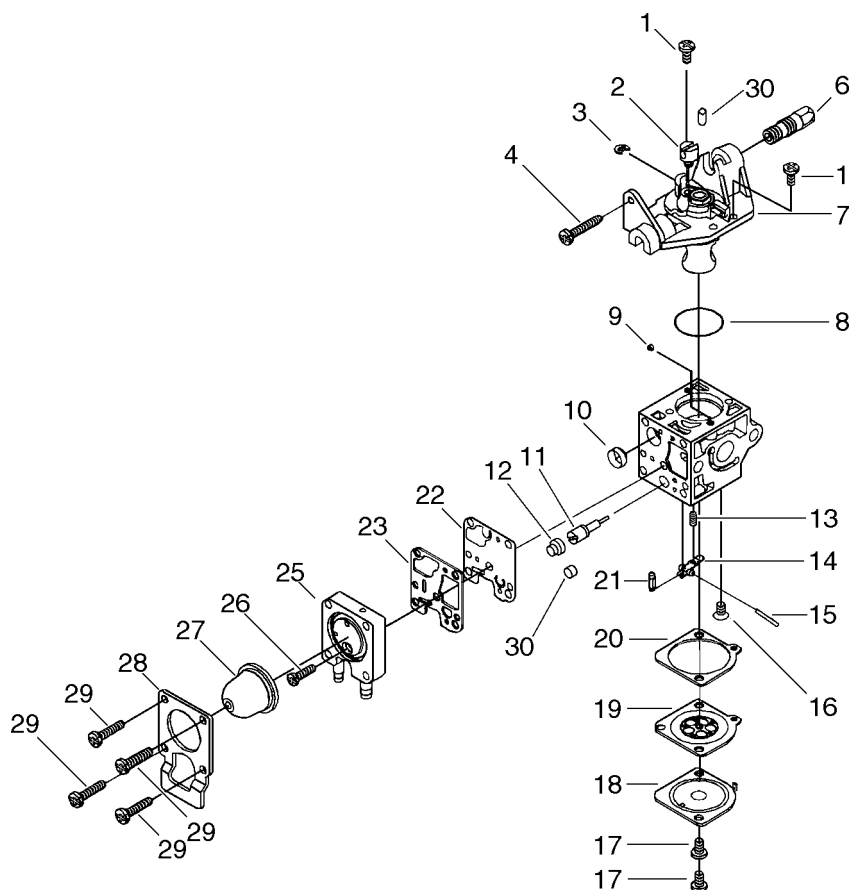
KEY	LV	PART NUMBER	Q'TY	DESCRIPTION	REMARKS
30		E230-000081	1	NIPPLE,HOSE	
31		E412-000010	1	ROD,VALVE	
32		V270-000000	1	NUT,16	
33		V450-000310	1	SPRING,COMPRESSION	
34		900703-00004	1	E-RING 4 SUS	
35		92500-00305	1	O-RING	
36		V471-000920	1	PIPE	
37		357013-14011	2	CLIP	
38		900239-05016	3	SCREW 5*16	
39		V420-000950	1	CUSHION	
41		400111-11410	1	WASHER	

# SHR-150SI 7 Carburettor



KEY	LV	PART NUMBER	Q'TY	DESCRIPTION	REMARKS
		A021-000661	1	CARBURETOR,DIAPHRAGM	
1	+	125344-13931	3	SCREW	
2	+	P005-001240	1	POST	
3	+	P005-000190	1	E-RING	
4	+	P005-000100	1	SCREW,THROTTLEADJUST	
6		P005-001330	1	SCREW, WIRW ADJUST	
7	+	P005-001880	1	COVER ASY, ROTOR	
8	+	P005-000280	1	O-RING	
9	+	P005-001000	1	ROLLER, GUIDE	
10	+	P005-000010	1	STRAINER	
11	+	P005-001260	1	SCREW,MAINN MIXTURE	
12	+	P005-001250	1	RETAINER,PLUG BALL	
13	+	125322-12620	1	SPRING, COIL	
14	+	125323-08260	1	ARM, VALVE	
15	+	125338-13930	1	PIN, METERING ARM	
16	+	125339-42030	1	SCREW	
17	+	125344-52130	2	SCREW	
18	+	125342-52130	1	COVER, DIAPHRAGM	
19	+	125341-42030	1	DIAPHRAGM	
20	+	P005-000200	1	GASKET, METERING	
21	+	125337-08260	1	VALVE, INLET NEEDLE	
22	+	P005-000510	1	DIAPHRAGM, PUMP	
23	+	P005-000520	1	GASKET, PUMP	
25	+	P005-001890	1	BASE, ASY PRIMER	

# SHR-150SI 7 Carburettor



KEY	LV	PART NUMBER	Q'TY	DESCRIPTION	REMARKS
26	+	P005-000270	1	SCREW	
27	+	125381-46730	1	PUMP, PRIMING	
28	+	P005-000250	1	RETAINER	
29	+	P005-001900	4	SCREW	
30	+	P005-001270	2	PLUG, H AJUST SCREW	

**SHR-150SI 8 Repair Kit**

KEY	LV	PART NUMBER	QTY	DESCRIPTION	REMARKS
		P005-001910	1	REBUILD KIT	
7-9	+	P005-001000	1	ROLLER, GUIDE	
7-10	+	P005-000010	1	STRAINER	
7-13	+	125322-12620	1	SPRING, COIL	
7-14	+	125323-08260	1	ARM, VALVE	
7-15	+	125338-13930	1	PIN, METERING ARM	
7-19	+	125341-42030	1	DIAPHRAGM	
7-20	+	P005-000200	1	GASKET, METERING	
7-21	+	125337-08260	1	VALVE, INLET NEEDLE	
7-22	+	P005-000510	1	DIAPHRAGM, PUMP	
7-23	+	P005-000520	1	GASKET, PUMP	

**Index**

<b>Parts Number</b>	<b>Key No.</b>	<b>Parts Number</b>	<b>Key No.</b>	<b>Parts Number</b>	<b>Key No.</b>
A021-000661	3 - 6	P005-001240	7 - 2	V491-000090	4 - 24
A021-000661	7 -	P005-001250	7 - 12	X502-000460	2 - 20
A027-000020	3 - 1	P005-001260	7 - 11	X502-000470	4 - 30
A051-000571	2 - 1	P005-001270	7 - 30	X503-008370	4 - 32
A052-000140	2 - 15	P005-001330	7 - 6	X505-000620	2 - 22
A101-000090	1 - 9	P005-001880	7 - 7	100012-61830	1 - 12
A130-000611	1 - 5	P005-001890	7 - 25	100013-61830	1 - 10
A172-000370	1 - 28	P005-001900	7 - 29	100015-61830	1 - 11
A200-000160	3 - 22	P005-001910	8 -	100100-61831	1 - 14
A200-000210	3 - 24	P021-004340	1 - 20	100142-12330	1 - 13
A350-000250	5 - 4	P021-005662	4 - 6	100212-61830	1 - 21
A409-000180	2 - 30	P021-006750	6 - 23	100242-61830	1 - 25
A439-000100	5 - 16	P021-007120	5 - 25	101514-61831	1 - 3
A440-000420	5 - 18	P021-008710	1 - 8	125322-12620	7 - 13
A510-000040	4 - 10	P021-008731	3 - 15	125322-12620	8 -
A510-000050	4 - 13	P021-010050	4 - 16	125323-08260	7 - 14
A511-000050	4 - 9	P022-004610	2 - 3	125323-08260	8 -
A556-000240	6 - 15	P022-004620	2 - 4	125337-08260	7 - 21
C061-000090	4 - 25	P022-004630	2 - 12	125337-08260	8 -
C405-000080	4 - 11	P022-004640	2 - 11	125338-13930	7 - 15
C453-000080	5 - 19	P022-004660	2 - 8	125338-13930	8 -
C471-000070	5 - 20	P022-004670	2 - 9	125339-42030	7 - 16
C473-000011	5 - 15	P022-004680	2 - 5	125341-42030	7 - 19
C630-000020	4 - 22	P022-004690	2 - 7	125341-42030	8 -
C630-000030	4 - 21	P022-005080	2 - 16	125342-52130	7 - 18
E202-000030	6 - 16	P022-005230	2 - 10	125344-13931	7 - 1
E203-000012	6 - 20	P022-006430	2 - 6	125344-52130	7 - 17
E205-000001	6 - 28	P022-006540	3 - 5	125381-46730	7 - 27
E220-000010	4 - 5	V100-000120	1 - 7	130308-13410	3 - 3
E230-000081	6 - 30	V103-000190	3 - 21	130310-13410	3 - 4
E245-000070	5 - 33	V103-000230	3 - 23	131004-55530	5 - 1
E270-000030	5 - 32	V270-000000	6 - 32	131016-55830	5 - 2
E271-000000	5 - 34	V306-000020	2 - 44	131051-56030	5 - 3
E412-000010	6 - 31	V354-000150	4 - 39	131205-07320	5 - 10
P005-000010	7 - 10	V376-000460	2 - 13	131300-56430	5 - 12
P005-000010	8 -	V402-000010	4 - 17	131920-55430	5 - 6
P005-000100	7 - 4	V402-000030	4 - 40	131920-61830	5 - 5
P005-000190	7 - 3	V420-000630	4 - 14	132010-52030	5 - 7
P005-000200	7 - 20	V420-000950	6 - 39	132010-56330	5 - 9
P005-000200	8 -	V430-000890	3 - 8	132013-14010	6 - 13
P005-000250	7 - 28	V450-000310	6 - 33	132013-26630	5 - 13
P005-000270	7 - 26	V451-000040	2 - 33	132115-46730	5 - 8
P005-000280	7 - 8	V453-000050	5 - 26	145510-61832	3 - 14
P005-000510	7 - 22	V471-000110	5 - 11	145621-61831	3 - 18
P005-000510	8 -	V471-000920	6 - 36	150117-09130	2 - 45
P005-000520	7 - 23	V475-002740	5 - 27	150117-16430	1 - 2
P005-000520	8 -	V485-000400	5 - 24	150614-02910	5 - 21
P005-001000	7 - 9	V485-000410	2 - 43	156112-61831	2 - 42
P005-001000	8 -	V491-000040	4 - 26	156626-61831	2 - 40

**Index**

<b>Parts Number</b>	<b>Key No.</b>	<b>Parts Number</b>	<b>Key No.</b>	<b>Parts Number</b>	<b>Key No.</b>
159010-10230	2 - 37	900253-04014	5 - 14		
159011-03432	2 - 38	900253-05020	2 - 21		
159012-03433	2 - 39	900515-00006	2 - 14		
175009-55931	2 - 34	900515-00006	2 - 31		
175046-56030	2 - 36	900518-00006	4 - 29		
175048-05530	2 - 32	900600-00005	3 - 16		
175049-56030	2 - 35	900605-00006	4 - 38		
177234-12220	2 - 17	900701-00012	6 - 17		
224103-10610	5 - 30	900703-00004	6 - 34		
250001-14010	4 - 1	900704-00012	6 - 25		
250011-01110	4 - 4	900720-30028	4 - 8		
250026-11310	4 - 2	900722-00100	6 - 7		
250027-11310	4 - 3	900724-00029	6 - 21		
250211-11410	4 - 7	900724-30010	6 - 19		
250916-06210	4 - 18	900724-30067	6 - 27		
300333-06160	4 - 23	900810-36000	1 - 22		
357013-14011	6 - 37	91128-04022	2 - 41		
382011-15310	6 - 14	91428-05020	4 - 12		
384002-12710	5 - 35	91428-05020	5 - 22		
384013-11610	6 - 6	92500-00305	6 - 35		
384029-10510	6 - 8				
386013-14010	6 - 11				
386015-10510	6 - 12				
386018-10510	6 - 9				
386019-10510	6 - 10				
400111-11410	6 - 41				
405100-11410	6 - 22				
405110-10512	6 - 26				
405113-10510	6 - 24				
405114-10510	6 - 18				
890015-13210	5 - 37				
890157-06560	5 - 38				
890617-13210	4 - 35				
895410-03930	5 - 36				
900103-06020	4 - 20				
900105-05050	3 - 17				
900106-05020	3 - 11				
900162-05020	1 - 6				
900162-05025	1 - 27				
900162-05040	6 - 29				
900220-06015	4 - 19				
900238-05016	3 - 2				
900239-05016	1 - 29				
900239-05016	2 - 23				
900239-05016	6 - 38				
900239-05018	1 - 1				
900239-05022	2 - 18				
900242-05060	3 - 20				
900252-04010	5 - 17				