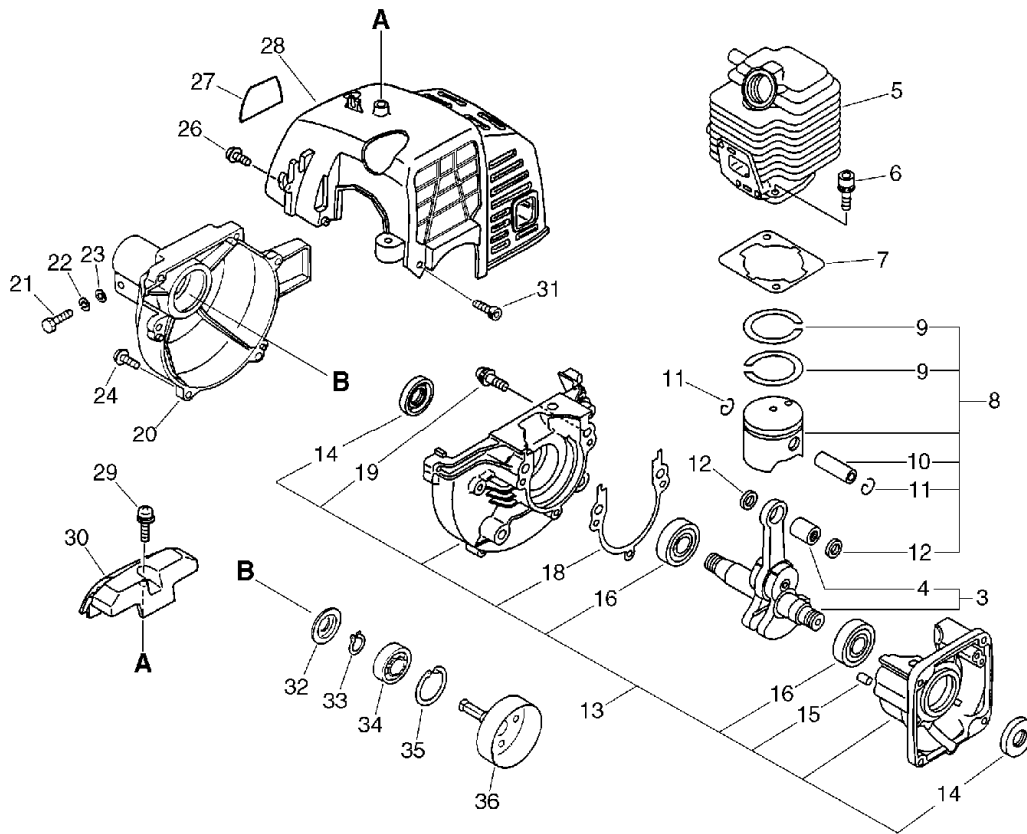


PPT-2100(CE), -1--1, Cylinder, Crankcase, Piston, Fan Cover  
PPT-2100(CE), 2008/11/28

**No.1**



PPT-2100(CE), -1--1, Cylinder, Crankcase, Piston, Fan Cover  
 PPT-2100(CE), 2008/11/28

Key	Lv	Part no.	Part description	Quantity	Note1	Note2
3		A011-000000	CRANKSHAFT,ASM	1	Sus. by A011-000002	
3		A011-000001	CRANKSHAFT,ASM	1	Sus. by A011-000002	
3		A011-000002	CRANKSHAFT,ASM	1		
4	+	100012-51230	BEARING, NEEDLE	1	Sus. by V553-000010	
4	+	V553-000030	BEARING,NEEDLE 8	1	Sus. by V553-000010	
4	+	V553-000010	BEARING,NEEDLE 8	1		
5		A130-000021	CYLINDER	1		
6		900162-05022	BOLT, H.S. 5*22	2		
7		101010-44332	GASKET, CYL. BASE	1		
8		P021-001101	PISTON KIT	1	Sus. by P021-001102	
8		P021-001102	PISTON KIT	1		
9	+	A101-000000	RING,PISTON	2		
10	+	100013-11520	PIN, PISTON	1		
11	+	100015-04630	CIRCLIP, PISTON PIN	2		
12	+	100014-11520	SPACER, PISTON PIN	2		
13		100204-52130	CRANKCASE KIT	1	Sus. by 100204-52131	
13		100204-52131	CRANKCASE KIT	1		
14	+	100212-42030	OILSEAL	2	Sus. by 100212-42031	
14	+	100212-42031	OILSEAL	2		
15	+	100215-03930	PIN, DOWEL	2		
16	+	94035-36201	BEARING BALL	2		
18	+	100242-42030	GASKET, CRANKCASE	1		
19	+	900162-05028	BOLT, H.S. 5*28	3		
20		101511-44630	COVER, FAN (BS)	1		
21		900151-05025	BOLT 5*25	1		
22		900605-00005	WASHER, SPRING 5	1	Disuse	
23		900600-00005	WASHER 5	1	Disuse	
24		900163-04016	BOLT HSH	4		
26		900238-04012	SCREW 4*12	2		
27		890068-24661	LABEL, BRAND	1		
28		101514-44531	COVER, CYLINDER	1		
29		900253-05016	SCREW	1		
30		159912-44530	GUARD, TOP	1		
31		900163-04016	BOLT HSH	2		
32		175053-04920	STOPPER	1		
33		900701-00012	CIRCLIP 12	1		

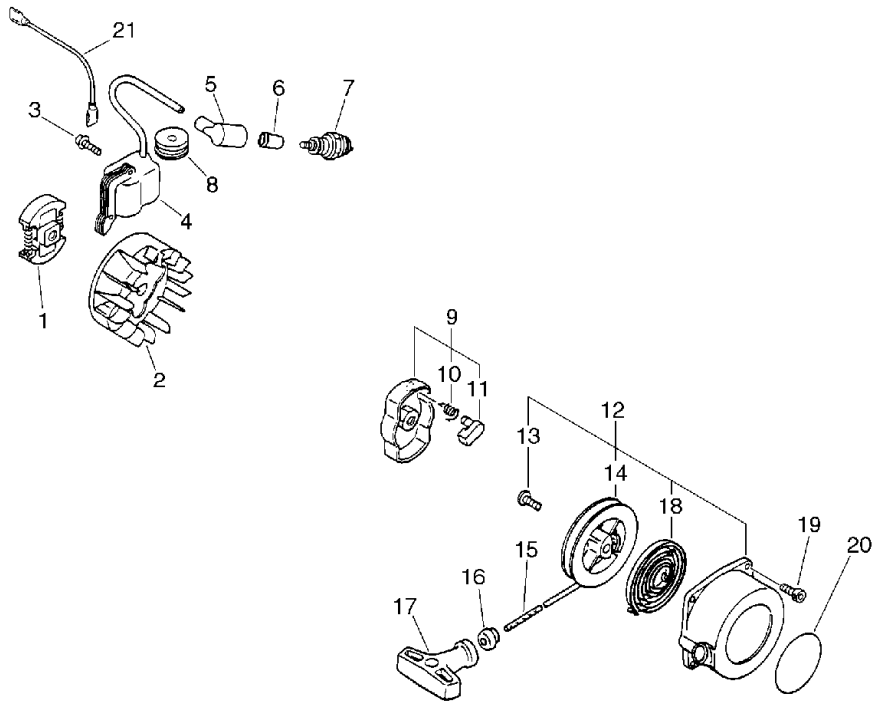
PPT-2100(CE), -1--1, Cylinder, Crankcase, Piston, Fan Cover  
 PPT-2100(CE), 2008/11/28

Key	Lv	Part no.	Part description	Quantity	Note1	Note2
34		900814-06201	BEARING, BALL 6201	1		

35	900702-00032	CIRCLIP 32	1		
36	175005-42030	DRUM, CLUTCH	1		

PPT-2100(CE), -1--1, Starter, Magneto, Clutch  
PPT-2100(CE), 2008/11/28

**No.2**



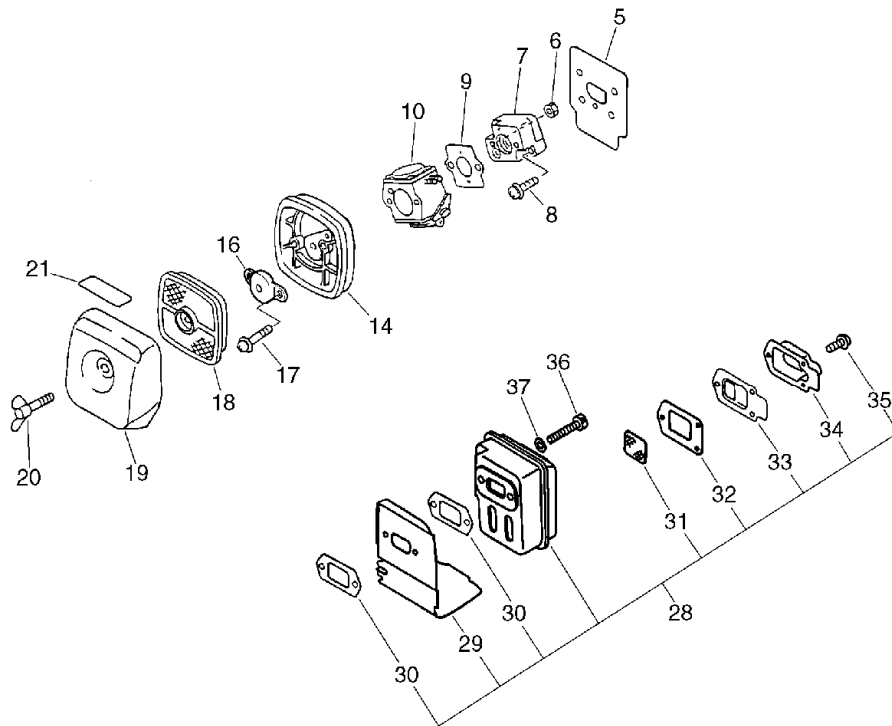
PPT-2100(CE), -1--1, Starter, Magneto, Clutch

PPT-2100(CE), 2008/11/28

Key	Lv	Part no.	Part description	Quantity	Note1	Note2
1		175000-56830	CLUTCH ASSY	1		
2		156801-09660	FLYWHEEL	1		
3		900162-04022	BOLT, H.S. 4*22	2		
4		156626-52730	COIL, IGNITION	1		
5		159012-10230	CAP, SPARK PLUG	1		
6		159016-05330	ADAPTER, PLUG CAP	1		
7		159010-10230	PLUG, SPARK (BPMR-7A	1		
8		150112-44330	BUSHING	1		
9		177202-44330	PAWL ASSY, STARTER	1	Sus. by 177202-44331	
9		177202-44331	PAWL ASM., STARTER	1		
10	+	177234-42030	SPRING, RETURN	1		
11	+	177218-44330	PAWL, STARTER	1		
12		177200-42033	STARTER ASSY	1		
13	+	177236-44330	SCREW	1		
14	+	177215-44430	DRUM, STARTER	1		
15	+	177226-10120	ROPE, STARTER	1		
16	+	177227-42030	GUIDE, ROPE	1		
17	+	177228-06530	GRIP, STARTER	1		
18	+	177220-42030	SPRING, REWIND	1		
19		900163-04016	BOLT HSH	2		
20		890118-49130	LABEL, ECHO	1		
21		162010-52830	LEAD, GROUND	1		

PPT-2100(CE), -1--1, Air Cleaner, Muffler  
PPT-2100(CE), 2008/11/28

**No.3**



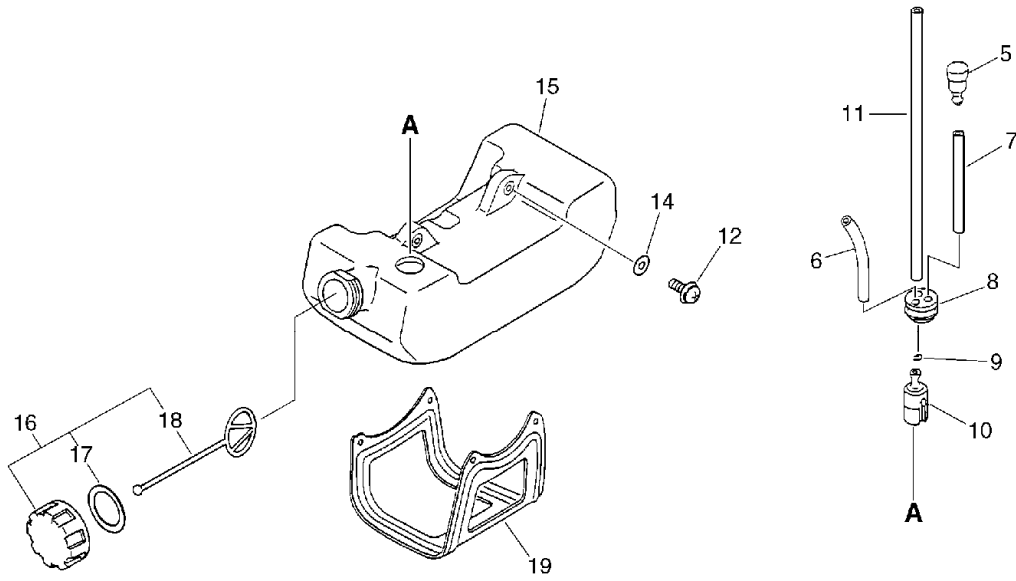
PPT-2100(CE), -1--1, Air Cleaner, Muffler

PPT-2100(CE), 2008/11/28

Key	Lv	Part no.	Part description	Quantity	Note1	Note2
5		130010-42032	GASKET,INTAKE	1		
6		900500-00005	NUT 5	2		
7		130017-42031	INSULATOR, INTAKE	1		
8		900238-05020	SCREW 5*20	2		
9		V103-000111	GASKET,INTAKE	1	Sus. by 130016-42031	
9		130016-42031	GASKET, INTAKE	1		
10		125200-13312	CARBURETOR	1	Sus. by 125200-13314	
10		125200-13313	CARBURETOR	1	Sus. by 125200-13314	
10		125200-13314	CARBURETOR	1		
14		130307-06761	CASE,AIR CLEANER	1	Sus. by P021-002921	
14		P021-004260	CASE, AIR CLEANER	1		
16		129011-52730	PLATE, PREVENT	1		
17		900242-05065	SCREW 5*65	2		
18		130310-54130	FILTER, AIR	1		
19		130313-05863	LID, AIR CLEANER	1		
20		210417-52730	BOLT, WING	1		
21		890121-05360	LABEL, METERING	1		
28		P021-000311	MUFFLER ASY	1	Sus. by P021-000314	
28		P021-000312	MUFFLER ASY	1	Sus. by P021-000314	
28		P021-000313	MUFFLER ASY	1	Sus. by P021-000314	
28		P021-000314	MUFFLER ASY	1		
29	+	145631-42030	COVER, MUFFLER	1	Sus. by A320-000251	
29	+	A320-000250	COVER,MUFFLER	1	Sus. by A320-000251	
29	+	A320-000251	COVER,MUFFLER	1		
30	+	V104-000160	GASKET,EXHAUST	2		
31	+	145862-40630	SCREEN, MUFFLER	1		
32	+	V104-000002	GASKET,EXHAUST	1	Sus. by V104-000003	
32	+	V104-000003	GASKET,EXHAUST	1		
33	+	145876-42030	LID, MUFFLER (B)	1		
34	+	A313-000000	GUIDE,EXH	1		
35	+	900238-04010	SCREW 4*10	3		
36		900105-05055	BOLT, H.S. 5*55	2		
37		900600-00005	WASHER 5	2		

PPT-2100(CE), -1--1, Fuel Tank  
PPT-2100(CE), 2008/11/28

**No.4**





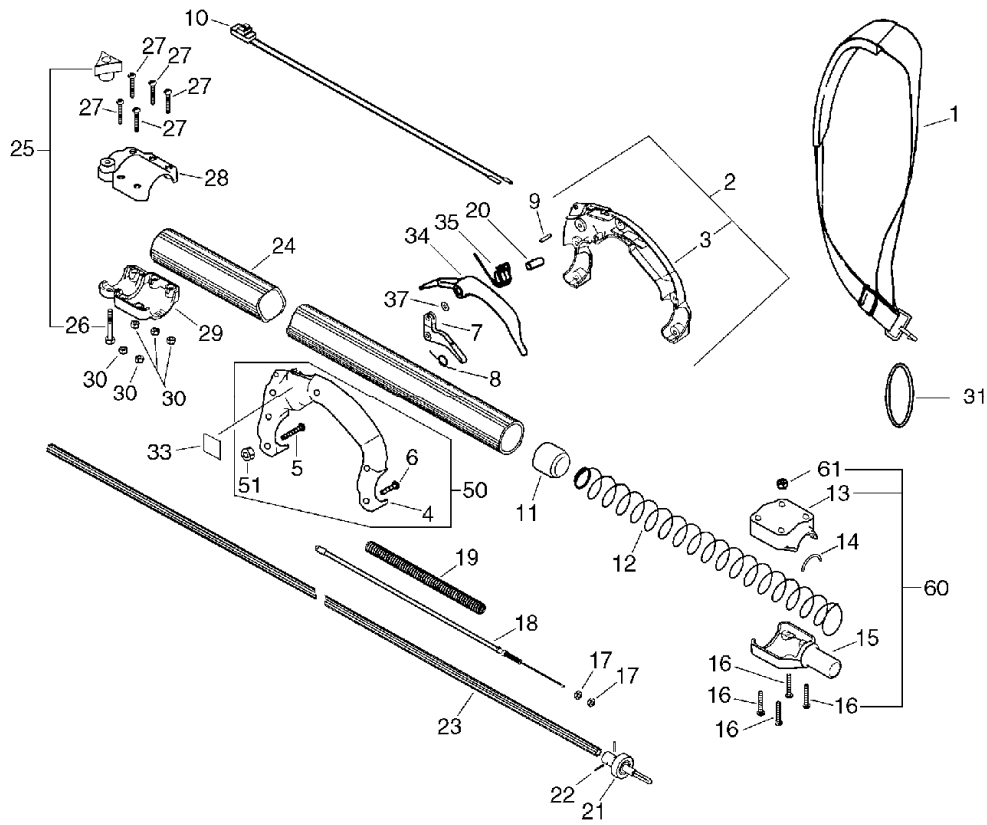
PPT-2100(CE), -1--1, Fuel Tank

PPT-2100(CE), 2008/11/28

Key	Lv	Part no.	Part description	Quantity	Note1	Note2
5		131300-56430	VALVE, CHECK	1	Sus. by A356-000030	
5		A356-000030	VALVE,CHECK	1		
6		132010-56330	PIPE 3*6*90	1		
7		131312-39130	PIPE	1	Sus. by V471-001200	
7		V471-001200	PIPE	1		
8		132115-46730	GROMMET, FUEL	1	Sus. by V137-000030	
8		V137-000030	GROMMET,FUEL	1		
9		132013-09820	CLIP	1		
10		131205-07320	STRAINER, FUEL	1		
11		132010-13930	PIPE, FUEL	1	Sus. by V471-001190	
11		V471-001190	PIPE	1		
12		900238-05016	SCREW 5*16	2		
14		900603-00005	WASHER 5	2		
15		131005-46830	TANK, FUEL	1	Sus. by 131005-46831	
15		131005-46831	TANK, FUEL	1		
16		131004-08960	CAP ASSY, FUEL	1		
17	+	131016-55830	GASKET, FUEL CAP	1		
18	+	131051-52430	CONNECTOR, CAP	1		
19		305110-42030	STAND (BL)	1		

PPT-2100(CE), -1--1, Handle  
 PPT-2100(CE), 2008/11/28

**No.5**



PPT-2100(CE), -1--1, Handle  
 PPT-2100(CE), 2008/11/28

Key	Lv	Part no.	Part description	Quantity	Note1	Note2
1		301000-22060	HARNES ASY, SHOULDER	1		
2		351100-22360	HANDLE SET, REAR	1	Sus. by 351100-22362	
2		351100-22361	HANDLE SET, REAR	1	Sus. by 351100-22362	
2		351100-22362	HANDLE SET, REAR	1		
3	+	351110-22562	HANDLE, REAR	1		
4	+	351101-22561	HANDLE, REAR	1	Sus. by P021-003531	
5	+	900053-00400	SCREW	4	Can be used on the 351100-22360 only	
6	+	900053-00300	SCREW	2	Can be used on the 351100-22360 only	
50	+	P021-003530	HANDLE ASY	1	Sus. by P021-003531	
50	+	P021-003531	HANDLE ASY	1		
4	++	C410-000090	HANDLE, REAR	1		
5	++	900053-00400	SCREW	6	Can be used on the P021-003530 only	
5	++	900053-00400	SCREW	2	Can be used on the P021-003531 only	
6	++	900053-00500	SCREW, PAN HEAD	4	Can be used on the P021-003531 only	
51	++	900031-50100	LOCKNUT	6		
7		178010-22560	TRIGGER, THROTTLE	1		
8		178043-22360	SPRING	1		
9		889960-22660	PIN, STRAIGHT	1		
10		163401-55630	SWITCH, IGNITION	1	Sus. by 163401-55631	
10		163401-55631	SWITCH, IGNITION	1		
11		433345-22660	GUIDE, SHAFT	1		
12		104940-22560	SPRING	1		
13		610810-22360	CAP, PIPE	1	Sus. by P021-003540	
60		P021-003540	CAP, MAIN PIPE ASY	1		
13	+	C525-000000	CAP, MAIN PIPE	1		
16	+	900053-00500	SCREW, PAN HEAD	4	Can be used on the P021-003540	
61	+	900031-50100	LOCKNUT	4		
14		104910-22460	CUSHION	1		
15		610248-22361	CONNECTOR, PIPE	1	Sus. by C510-000120	
15		610248-22362	CONNECTOR, PIPE	1	Sus. by C510-000120	
15		610248-22360	CONNECTOR, PIPE	1	Sus. by C510-000120	

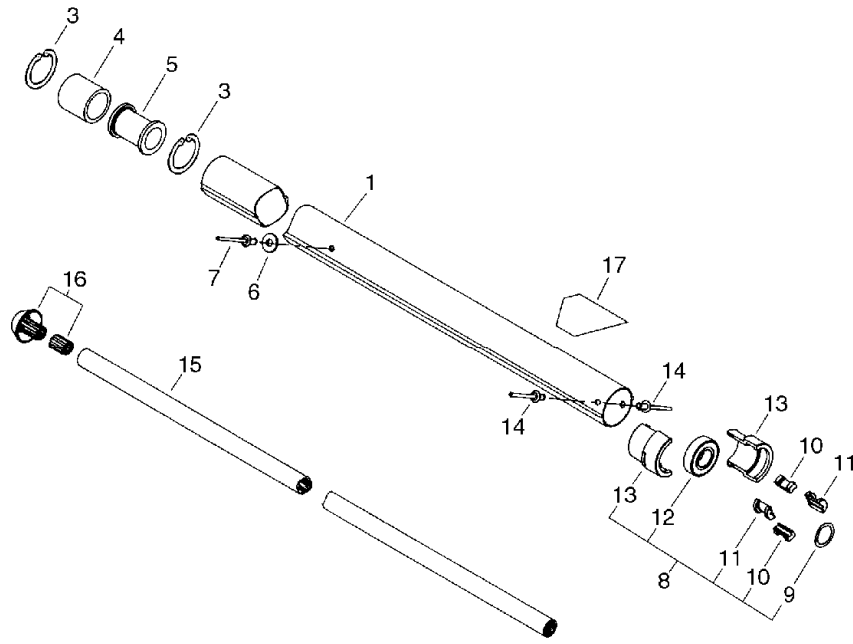
15	C510-000050	COUPLING,MAIN PIPE	1	Sus. by C510-000120	
15	C510-000120	COUPLING, MAIN PIPE	1		
16	900053-00400	SCREW	4	Can be used on the 610810-22360 only	
17	900502-00006	NUT 6 (3N)	2		
18	178001-51030	WIRE, THROTTLE	1		

PPT-2100(CE), -1--1, Handle  
 PPT-2100(CE), 2008/11/28

Key	Lv	Part no.	Part description	Quantity	Note1	Note2
19		178016-22360	TUBE	1		
20		610850-22560	COLLAR	1		
21		610012-22361	CONNECTOR, SHAFT	1	Sr/Nr 003116 and before	
21		C505-000120	CONNECTOR,SHAFT	1	Sr/Nr 003117 and after	
22		880050-22360	PIN, SPIRAL	2	Sus. by V645-000000	
22		V645-000000	PIN,SPIRAL	2		
23		610011-22060	SHAFT, DRIVE	1	Sus. by 610011-22061	
23		610011-22061	SHAFT, DRIVE	1		
24		610222-24660	PIPE, MAIN	1	Sus. by 610222-22360	
24		610222-22360	PIPE, MAIN	1		
25		130406-22360	THUMB	1		
26	+	900051-00100	SCREW	1		
27		900053-00400	SCREW	5		
28		610282-22460	COLLAR, MAIN PIPE	1		
29		610282-22360	COLLAR, MAIN PIPE	1		
30	+	900031-50100	LOCKNUT	5		
31		301016-52730	RING,HARNESS	1		
33		890157-39130	LABEL, SWITCH	1		
34		178090-22560	LOCKOUT, THR.CONTROL	1		
35		178043-22560	SPRING	1	Sus. by 178043-22562	
35		178043-22561	SPRING	1	Sus. by 178043-22562	
35		178043-22562	SPRING	1		
37		900603-00005	WASHER 5	1		

PPT-2100(CE), -1--1, Pipe  
PPT-2100(CE), 2008/11/28

**No.6**

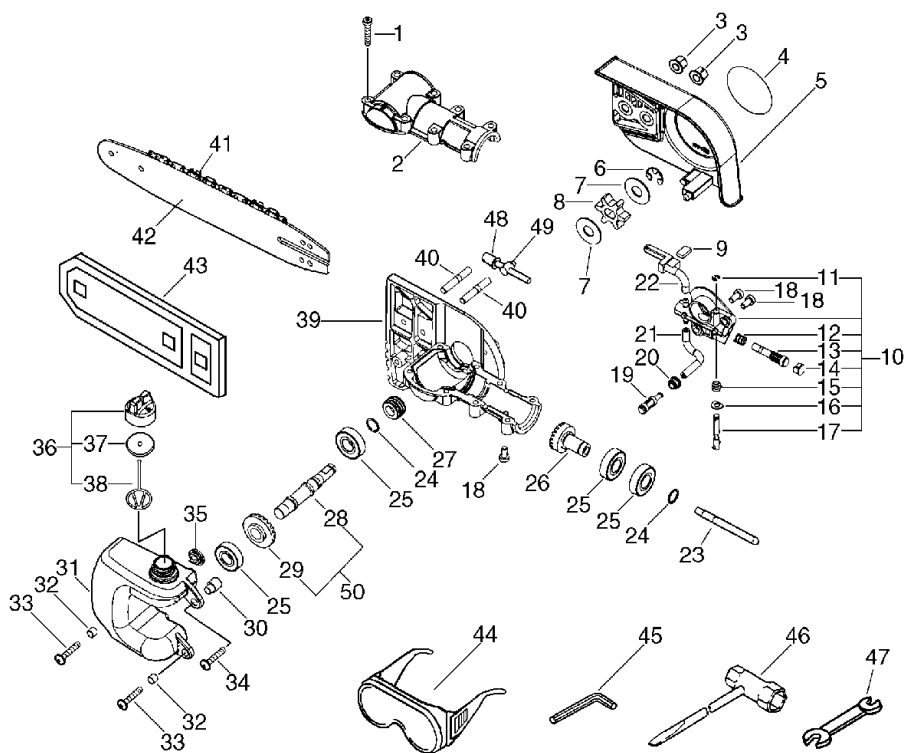


PPT-2100(CE), -1--1, Pipe  
 PPT-2100(CE), 2008/11/28

Key	Lv	Part no.	Part description	Quantity	Note1	Note2
1		610210-22361	PIPE, MAIN	1		
3		610335-22360	RING	2	Sus. by 610335-22460	
3		610335-22460	RING	2		
4		104293-22360	PAD, FOAM	1		
5		433345-22361	GUIDE, SHAFT	1		
6		400111-22360	WASHER	1		
7		890011-22460	RIVET	1		
8		610105-22360	BEARING, SHAFT	1		
9	+	178129-22360	WASHER	1		
10	+	433345-22460	GUIDE, SHAFT	2		
11	+	433345-22560	GUIDE, SHAFT	2		
12	+	900802-06002	BEARING, BALL 6002	1		
13	+	610111-22360	HOLDER, BEARING	2		
14		890011-22360	RIVET	2		
15		610011-22360	SHAFT, DRIVE	1		
16		610298-22360	SOCKET, SHAFT	1		
17		890160-22660	LABEL, CAUTION	1		

PPT-2100(CE), -1--1, Auto-Oiler, Gear Case, Tools  
 PPT-2100(CE), 2008/11/28

**No.7**





PPT-2100(CE), -1--1, Auto-Oiler, Gear Case, Tools  
 PPT-2100(CE), 2008/11/28

Key	Lv	Part no.	Part description	Quantity	Note1	Note2
1		V253-000000	SCREW,5	8		
2		C531-000030	CASE,GEAR	1		
3		433019-03933	NUT, FLANGE 6	2		
4		890118-49130	LABEL, ECHO	1		
5		C300-000000	GUARD,SPROCKET	1	Sus. by C300-000001	
5		C300-000001	GUARD,SPROCKET	1		
6		V583-000010	RING	1		
7		175014-39130	WASHER, CLUTCH	2	Sus. by 175014-39131	
7		175014-39131	WASHER, CLUTCH	2		
8		C580-000070	SPROCKET,DRIVE	1		
9		437244-39130	PAD, FORM	1		
10		437002-39130	AUTO-OILER ASSY	1		
11	+	123127-15030	RING	1		
12	+	437019-38330	SPRING	1		
13	+	437024-37330	PLUNGER	1		
14	+	437062-37330	CAP, OIL PUMP	1		
15	+	437015-37330	SPRING	1		
16	+	437029-37330	WASHER	1		
17	+	437016-39130	NEEDLE, ADJUST	1		
18		V253-000010	SCREW,5	3		
19		436205-02832	STRAINER, OIL	1		
20		132115-01461	GROMMET	1		
21		130110-12330	PIPE, IMPULSE	1		
22		V470-000180	PIPE	1		
23		610025-22360	CONNECTOR, SHAFT	1	Sus. by 610025-22361	
23		610025-22361	CONNECTOR, SHAFT	1		
24		900706-00012	CIRCLIP 12	2		
25		94042-06001	BEARING BALL	4		
26		V651-000041	GEAR,BEVEL	1	Sus. by V651-000042	
26		V651-000042	GEAR,BEVEL	1		
27		437063-38330	GEAR, WORM	1		
28		C534-000020	SHAFT,GEAR	1	Sus. by P021-005391	
29		610311-22061	GEAR	1	Sus. by P021-005391	
50		P021-005390	GEAR SET	1	Sus. by P021-005391	
50		P021-005391	GEAR SET	1		
28	+	C534-000180	SHAFT,GEAR	1	Can be used P021-005391	

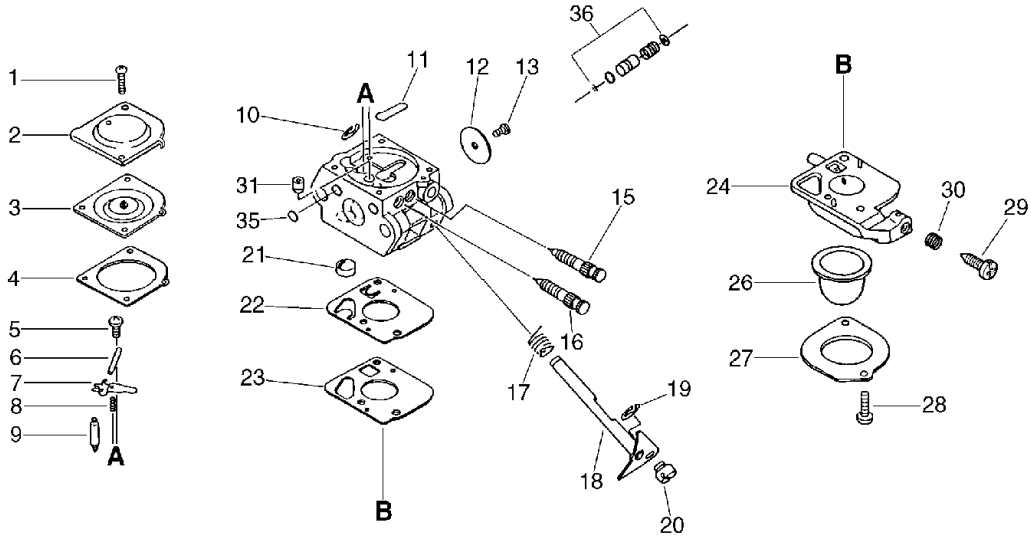
PPT-2100(CE), -1--1, Auto-Oiler, Gear Case, Tools  
 PPT-2100(CE), 2008/11/28

Key	Lv	Part no.	Part description	Quantity	Note1	Note2

29	+	V651-000100	GEAR,BEVEL	1	Sus. by V651-000111
29	+	V651-000110	GEAR,BEVEL	1	Sus. by V651-000111
29	+	V651-000111	GEAR,BEVEL	1	Can be used P021-005391
30		V354-000010	COLLAR,6	1	
31		C200-000000	TANK,OIL	1	
32		131045-28230	COLLAR	2	
33		V253-000030	SCREW,5	2	
34		V253-000020	SCREW,5	1	
35		131314-06320	VALVE, CHECK	1	
36		P021-000950	CAP ASSY, OIL	1	Sus. by P021-000951
36		P021-000951	CAP ASSY, OIL	1	
37	+	436012-37830	GASKET, CIRCULAR	1	
38	+	131051-19830	LINK	1	Sus. by A365-000050
38	+	A365-000050	CONNECTOR,CAP	1	
39		C531-000040	CASE,GEAR	1	
40		V224-000000	BOLT,STUD 6	2	
41		431610-22160	CHAIN, SAW	1	
42		430410-22160	BAR, GUIDE	1	Sr/Nr 002394 and before
42		X101-000070	BAR,GUIDE2580-43-3/8	1	Sr/Nr 002395 and after
43		898513-22160	SCABBARD, GUIDE BAR	1	Sus. by X490-000060
43		X490-000060	SCABBARD,CHAIN	1	
44		899580-68730	SAFETY GLASSES	1	Sus. by P021-002861
44		X690-000030	GOGGLE	1	Sus. by P021-002861
44		P021-002861	GOGGLES	1	
45		895612-03430	L-WRENCH (3MM)	1	Sus. by895610-00130
45		895610-00130	L-WRENCH (4MM)	1	
46		895410-39130	WRENCH, W/S-DRIVER	1	Sus. by 895410-39131
46		895410-39131	WRENCH, W/S-DRIVER	1	
47		895112-00330	SPANNER 8*10	1	
48		433016-39131	BOLT	1	
49		433014-03931	TENSIONER	1	

PPT-2100(CE), -1--1, Carburetor  
PPT-2100(CE), 2008/11/28

**No.8**



PPT-2100(CE), -1--1, Carburetor  
 PPT-2100(CE), 2008/11/28

Key	Lv	Part no.	Part description	Quantity	Note1	Note2
		125200-13312	CARBURETOR	1	Sus. by 125200-13314	
		125200-13313	CARBURETOR	1	Sus. by 125200-13314	
		125200-13314	CARBURETOR	1		
1	+	125344-52130	SCREW	2		
2	+	125342-13210	COVER, DIAPHRAGM	1		
3	+	125341-49030	DIAPHRAGM	1		
4	+	125340-51030	GASKET, DIAPHRAGM	1		
5	+	125339-42030	SCREW	1		
6	+	125338-13930	PIN, METERING ARM	1		
7	+	125323-42030	LEVER, METERING	1		
8	+	125322-42030	SPRING, COIL	1		
9	+	125337-06960	VALVE, INLET NEEDLE	1		
10	+	125327-15130	CLIP	1		
11	+	125345-15130	PLUG, WELCH	1		
12	+	125316-49030	VALVE, THROTTLE	1		
13	+	125314-13930	SCREW	1		
15	+	125318-13120	SCREW, IDLE NEEDLE	1		
16	+	125320-13310	NEEDLE, HIGH SPEED	1		
17	+	125313-42030	SPRING, THRT. RETURN	1		
18	+	125317-13310	SHAFT, THROTTLE	1		
19	+	125327-13930	CLIP	1		
20	+	125372-42030	SWIVEL	1		
21	+	125326-42030	STRAINER	1		
22	+	125312-12820	DIAPHRAGM, FUEL PUMP	1		
23	+	125325-13310	GASKET, PUMP	1		
24	+	125383-13310	BASE, PRIMER	1	Sus. by P005-000590	
24	+	P005-000590	BASE, ASY PRIMER	1		
26	+	125381-08660	PUMP, PRIMING	1		
27	+	125363-11610	RING	1		
28	+	125310-11610	SCREW	2		
29	+	125334-06960	SCREW, THROTTLE ADJUST	1		
30	+	125333-06960	SPRING, IDLE ADJUSTER	1		
31	+	125376-13120	NOZZLE, CHECK VALVE	1		
35	+	125345-13310	PLUG, WELCH	1		
36	+	125306-13120	PUMP KIT, ACC.	1		
		125303-13310	DIAPHRAGM/GASKET KIT	1		

PPT-2100(CE), -1--1, Carburetor  
PPT-2100(CE), 2008/11/28

Key	Lv	Part no.	Part description	Quantity	Note1	Note2
		125300-13310	REBUILD KIT	1		

PPT-2100(CE), -1--1, Repair Kit  
PPT-2100(CE), 2008/11/28

PPT-2100(CE), -1--1, Repair Kit

PPT-2100(CE), 2008/11/28

Key	Lv	Part no.	Part description	Quantity	Note1	Note2
		125303-13310	DIAPHRAGM/GASKET KIT	1		
8-3	+	125341-49030	DIAPHRAGM	1		
8-4	+	125340-51030	GASKET, DIAPHRAGM	1		
8-22	+	125312-12820	DIAPHRAGM, FUEL PUMP	1		
8-23	+	125325-13310	GASKET, PUMP	1		
		125300-13310	REBUILD KIT	1		
8-3	+	125341-49030	DIAPHRAGM	1		
8-4	+	125340-51030	GASKET, DIAPHRAGM	1		
8-6	+	125338-13930	PIN, METERING ARM	1		
8-7	+	125323-42030	LEVER, METERING	1		
8-8	+	125322-42030	SPRING, COIL	1		
8-9	+	125337-06960	VALVE, INLET NEEDLE	1		
8-11	+	125345-15130	PLUG, WELCH	1		
8-21	+	125326-42030	STRAINER	1		
8-22	+	125312-12820	DIAPHRAGM, FUEL PUMP	1		
8-23	+	125325-13310	GASKET, PUMP	1		