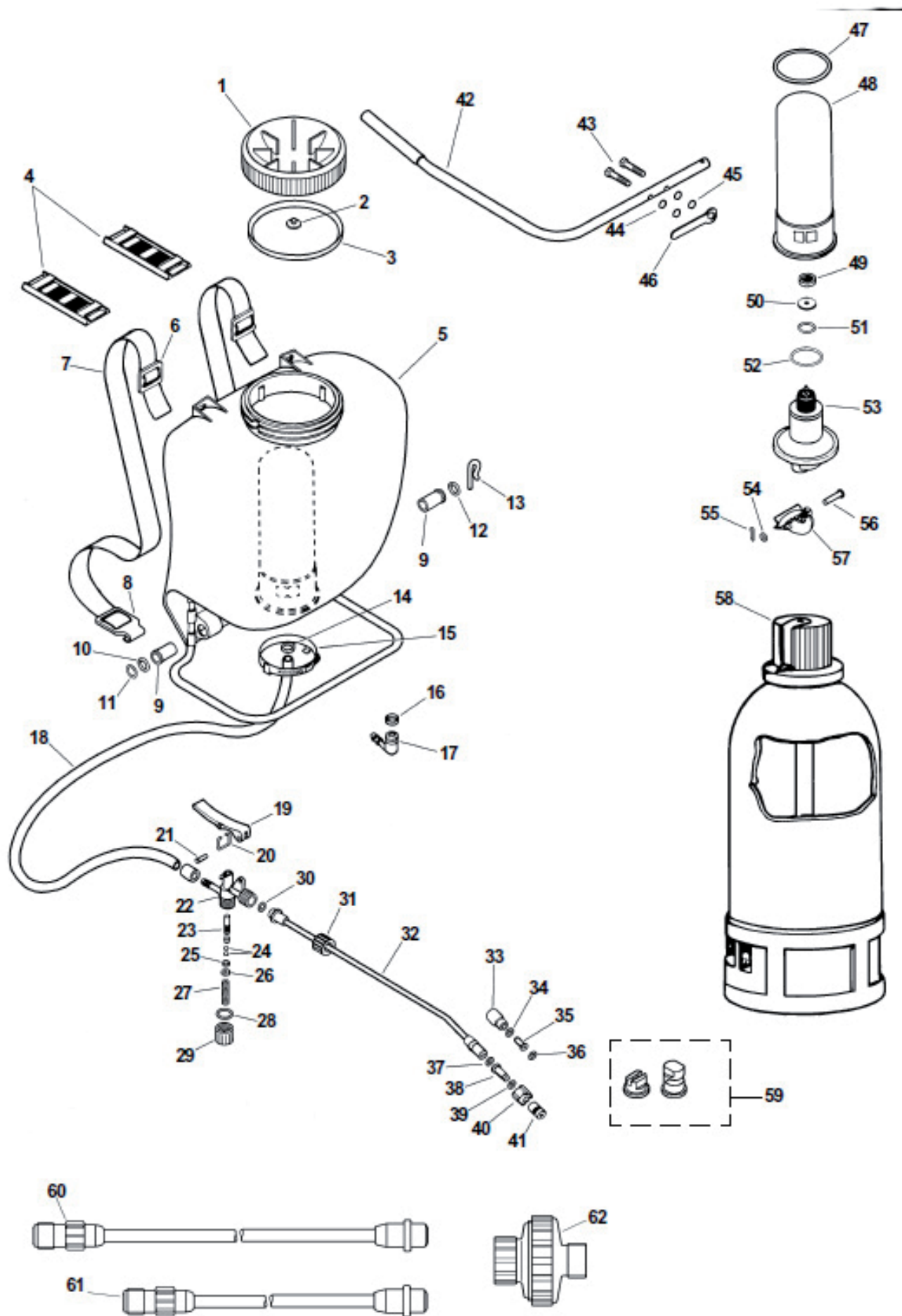


KEY	PART NUMBER	QTY	DESCRIPTION	REMARKS
1	4010503	1	CAP ASY	INCLUDES ITEMS 2 & 3
2	4020308	1	VALVE, CHECK	
3	4020100	1	SEAL	
4	4360000	1	SHOULDER PADS (QTY. 2)(OPT)	
5	4030503	1	TANK	
6	4310000	1	HOOK, STRAP	INCLUDES ITEM 8
7	4150000	1	STRAP ASY (STD)	INCLUDES ITEM 4, 7 & 8
8	NSS	1	HOOK, STRAP	USE ITEM 6
9	4040000	2	BEARING, NYLON	INCLUDES ITEMS 12 & 13
10	NSS	1	WASHER, NYLON	USE ITEM 9
11	NSS	1	WASHER, METAL	USE ITEM 42
12	NSS	1	WASHER, NYLON	USE ITEM 9
13	NSS	1	PIN, COTTER	USE ITEM 9
14	NSS	1	CLAMP, HOSE	USE ITEM 18
15	4031600	1	CLAMP	
16	NSS	1	HOLDER	USE ITEM 17
17	4160000	1	FITTING, 90 ELBOW	INCLUDES ITEM 16
18	4170000	1	HOSE (STD)	INCLUDES ITEM 14
18	4171800	1	HOSE, RUBBER (OPT)	
19	NSS	1	HANDLE, PISTON	USE ITEM 22
20	NSS	1	HOLDER	USE ITEM 31
21	NSS	1	PIN, PISTOL	USE ITEM 22
22	4180000	1	PISTOL (LIQUID CONTROL VALVE)	INCLUDES ITEMS 19-21, 23-29
23	4190000	1	SPINDLE ASY	INCLUDES ITEMS 24-26
24	4200000	2	O-RINGS	INCLUDES ITEM 28
25	NSS	1	STOPPER	USE ITEM 23
26	NSS	1	WASHER, RUBBER	USE ITEM 23
27	NSS	1	SPRING	USE ITEM 29
28	NSS	1	O-RING	USE ITEM 24
29	4210001	1	PLUG, CAP	INCLUDES ITEMS 27 & 28
30	NSS	1	O-RING	USE ITEM 22
31	NSS	1	COUPLER	USE ITEM 32
32	4330000	1	WAND, ALUMINUM (STD)	INCLUDES ITEMS 30 & 31
32	4220000	1	WAND, BRASS (OPT)	INCLUDES ITEMS 30 & 31
32	4330000	1	WAND, PLASTIC (OPT)	INCLUDES ITEMS 30 & 31
33	4270000	1	STRAINER (OPT)	INCLUDES ITEMS 34-26
34	NSS	1	WASHER	USE ITEM 33
35	NSS	1	CORE	USE ITEM 33
36	NSS	1	SCREEN	USE ITEM 33
37	NSS	1	O-RING	USE ITEM 40
38	NSS	1	JET	USE ITEM 41
39	4260000	1	O-RING	
40	4240000	1	COUPLER, NOZZLE	INCLUDES ITEM 37
41	4250000	1	NOZZLE ASY	INCLUDES ITEMS 37-40
42	4050500	1	HANDLE ASY	INCLUDES ITEMS 10, 43-46
43	4060000	1	BOLT & NUT SET	INCLUDES ITEMS 44 & 45
44	NSS	1	WASHER	USE ITEM 43
45	NSS	1	NUT	USE ITEM 43
46	NSS	1	WRENCH	USE ITEM 42
47	4100000	1	O-RING, PRESSURE TANK	
48	4090000	1	TANK, PRESSURE	INCLUDES ITEMS 50
49	4120000	1	SEAL KIT	INCLUDES ITEMS 50-52



KEY	PART NUMBER	QTY	DESCRIPTION	REMARKS
50	NSS	1	DISK	USE ITEM 53
51	NSS	1	O-RING	USE ITEM 53
52	NSS	1	O-RING	USE ITEM 53
53	4130000	1	PUMP MODULE	INCLUDES ITEMS 55-57
54	NSS	1	WASHER	USE ITEM 57
55	NSS	1	PIN, COTTER	USE ITEM 57
56	NSS	1	PIN	USE ITEM 57
57	4140000	1	CRANK ASY	INCLUDES ITEMS 55-57
58	4340000	1	AGITATOR, REGULATOR	
59	4251020	1	NOZZLE KIT	
	<u>ACCESSORIES</u>			
60	99944100220	1	SPRAY WAND, BRASS 66-1/2 INCH	
61	99944100240	1	SPRAY WAND, BRASS 26-1/2 INCH	
62	99944100230	1	STRAINER	