

ECHO®

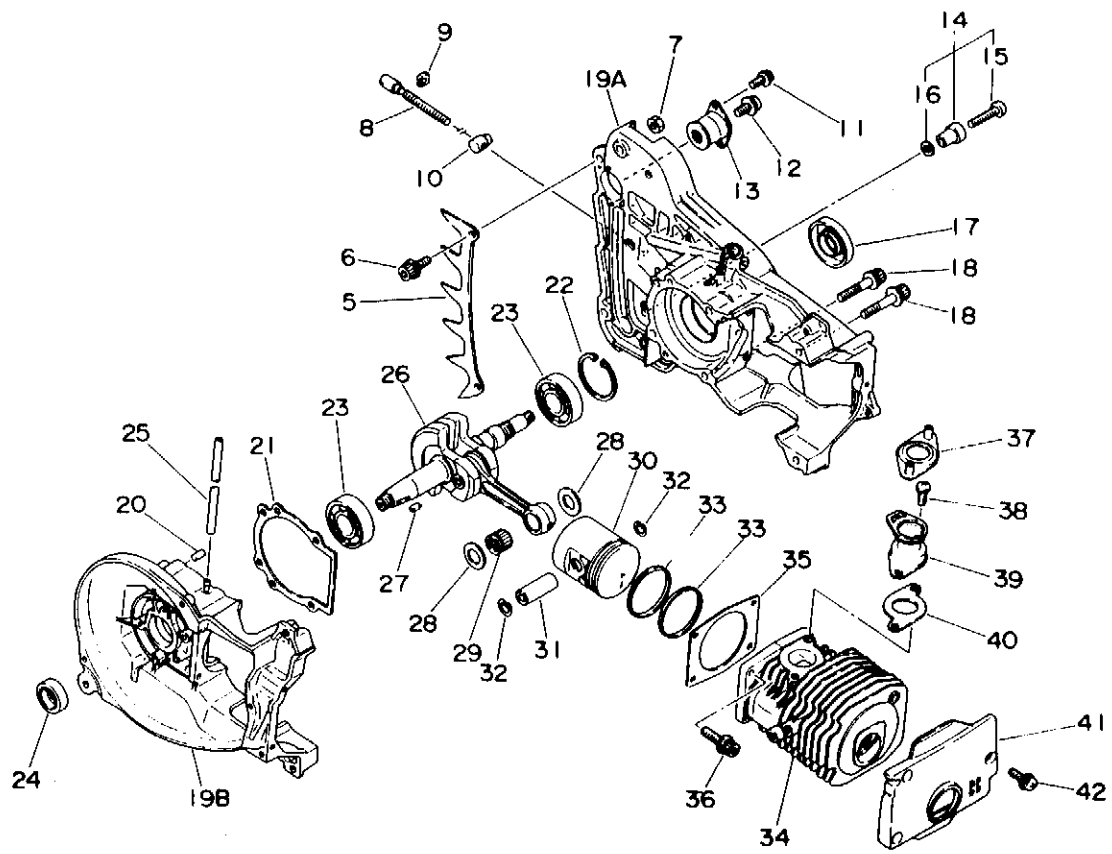
PARTS CATALOGUE

**ECHO
CHAIN SAW
CS-550EVL**



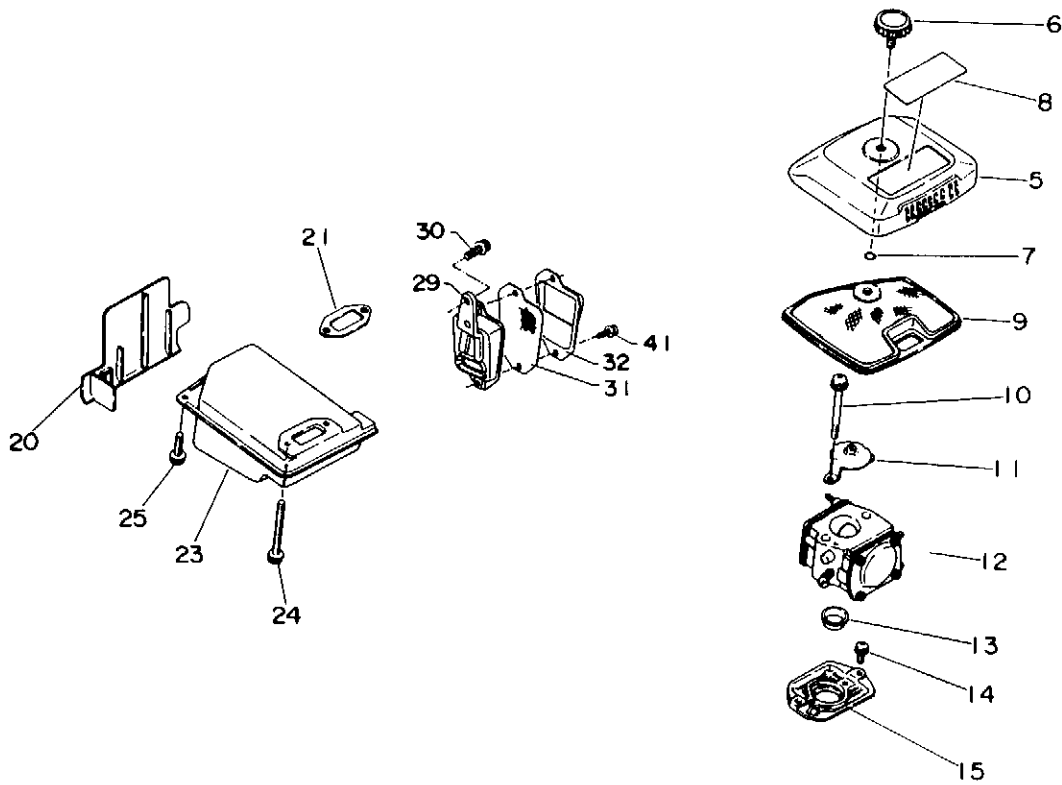
898 617-1793 1

CS-550EVL 1

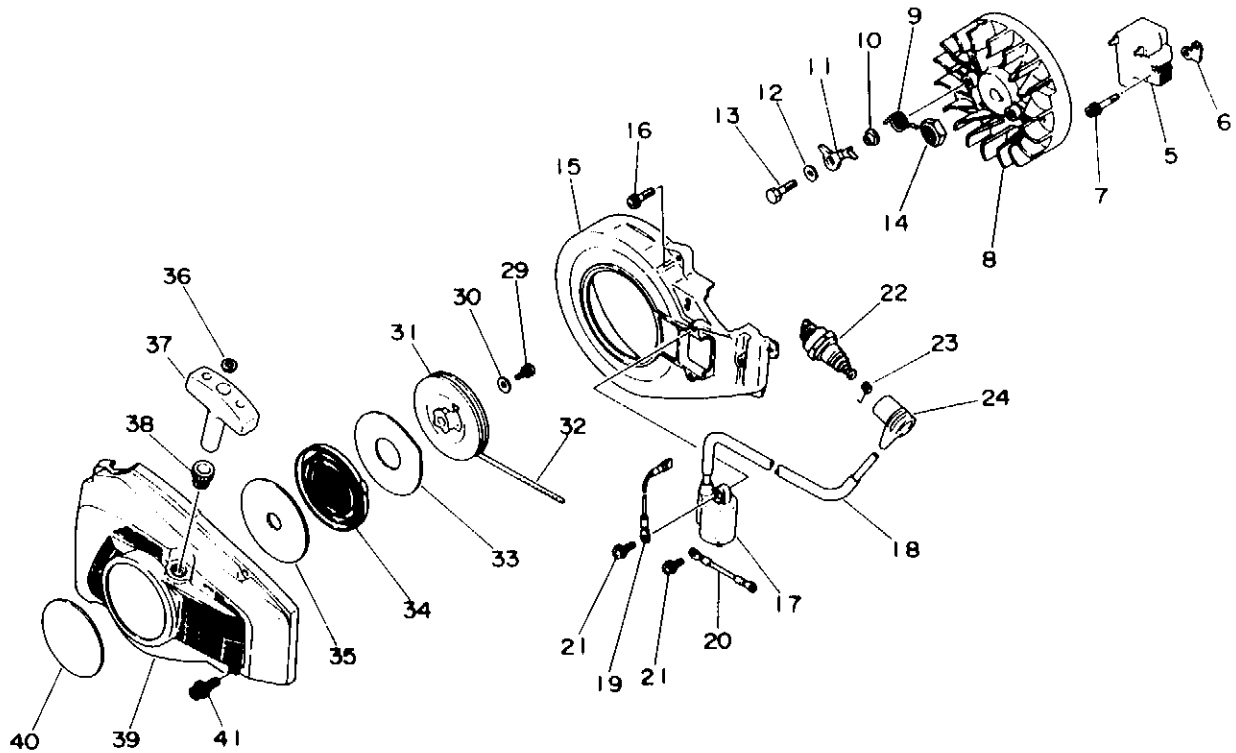


Key No.	Part Number	Q'ty	Description	Key No.	Part Number	Q'ty	Description
1-	5	1	Spike	1-	25	1	Pipe, impulse
	6	2	H.S.H. bolt 5x12		26	1	Crankshaft ass'y
	7	2	Lock nut 5		27	1	Key, woodruff
	8	1	Screw, adjustment		28	2	Spacer
	9	1	Clip		29	1	Bearing, needle
	10	1	Tensioner		30	1	Piston
	11	2	Screw 4x10		31	1	Pin, piston
	12	1	Screw 5x10		32	2	Circlip, piston pin
	13	1	Cushion		33	2	Ring, piston
14	433 000-1283 0	1	Catcher, chain kit		34	1	Cylinder
	15	1	Screw 5x25		35	1	Gasket
	16	1	Washer 5		36	4	H.S.H. bolt 5x20
	17	1	Oil seal		37	1	Seal
	18	6	H.S.H. bolt 5x30		38	2	Screw 5x10
19	100 200-1523 0	1	Crankcase set		39	1	Adapter, intake
	20	2	Knock		40	1	Gasket
	21	1	Gasket		41	1	Cover, cylinder
	22	1	Circlip		42	3	Screw 4x14
	23	2	Bearing, ball				
	24	1	Oilseal				

Remarks: 19 Includes 20.

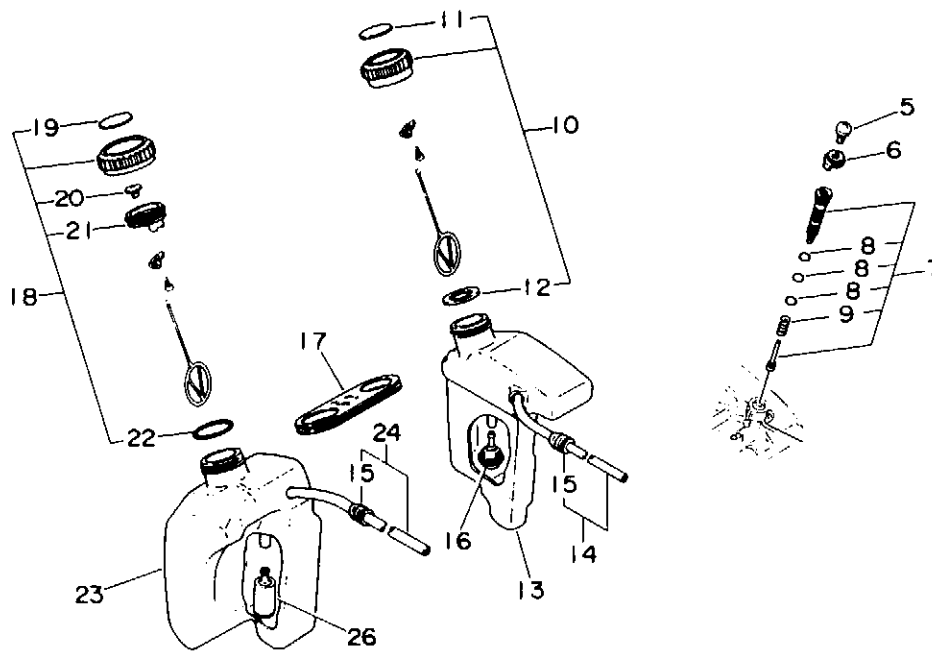


Key No.	Part Number	Q'ty	Description	Key No.	Part Number	Q'ty	Description
2-	5	1	Cover, air cleaner	20	100 270-1523 0	1	Insulator
	6	1	Nut, thumb	21	145 510-1233 1	1	Gasket
	7	1	O-ring 3	23	145 610-1733 0	1	Muffler
	8	1	Decal	24	900 162-0504 5	2	H.S.H. bolt 5x45
	9	1	Filter, air	25	900 162-0502 0	1	H.S.H. bolt 5x20
10	900 242-0504 5	2	Screw 5x45	Option (29 thru 41)			
11	130 420-1233 2	1	Bracket, air cleaner	29	145 806-1523 0	1	Adapter
12	123 000-1903 0	1	Carburetor	30	900 162-0501 4	2	H.S.H. bolt 5x14
13	130 511-1233 0	1	Holder, intake adapter	31	145 862-1523 0	1	Screen
				32	145 863-1523 0	1	Holder, screen
14	900 242-0401 2	2	Screw 4x12	41	900 242-0401 0	2	Screw 4x10
15	130 013-1233 1	1	Adapter				

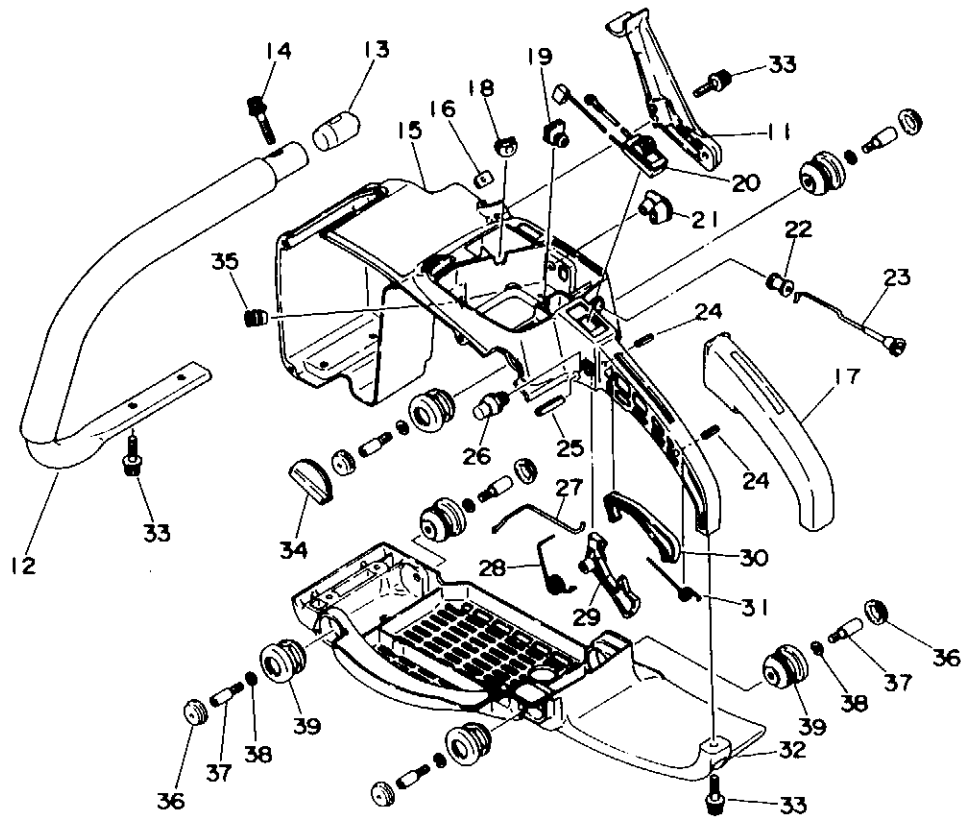


Key No.	Part Number	Q'ty	Description	Key No.	Part Number	Q'ty	Description
3- 5	156 601-1833 0	1	C.D. Ignition module	3- 24	159 012-0343 3	1	Cap. spark plug
6	150 117-1373 0	1	Spacer	*	177 200-1253 2	1	Starter ass'y
7	900 162-0402 2	2	H.S.H. bolt 4x22	29	-900 241-0501 0	1	Screw 5x10
8	156 801-1833 0	1	Flywheel	30	-900 603-0000 5	1	Washer 5
9	177 234-1233 0	2	Spring, pawl	31	-177 206-1233 1	1	Reel, starter
10	177 247-1233 1	2	Spacer	32	-177 226-0706 0	1	Rope
11	177 218-1233 0	2	Pawl, starter	33	-177 242-1233 0	1	Plate
12	900 603-0000 5	2	Washer 5	34	-177 220-0283 4	1	Spring, rewind
13	900 100-0502 0	2	Bolt 5x20	35	-177 221-0283 0	1	Plate
14	100 144-1233 1	1	Nut	36	-177 229-1433 0	1	Spacer
15	101 535-1523 1	1	Cover, fan inner	37	-177 228-1233 0	1	Grip
16	900 242-0402 0	4	Screw 4x20	38	-177 227-0533 0	1	Guide, rope
17	156 626-1833 0	1	Coil, ignition	39	-101 507-1253 1	1	Cover, fan
18	156 633-1523 0	1	Tube	40	890 118-1793 0	1	Label ECHO
19	156 630-1523 1	1	Lead	41	900 162-0502 0	4	H.S.H. bolt 5x20
20	156 635-1523 0	1	Lead				
21	900 242-0401 4	2	Screw 4x14				
22	159 010-1063 0	1	Spark plug BPM7A				
22	159 010-1023 0	1	Plug, spark BPMR7A				
23	159 011-0343 2	1	Coil, plug cap				

Remarks: * Consists of 29 thru 39.

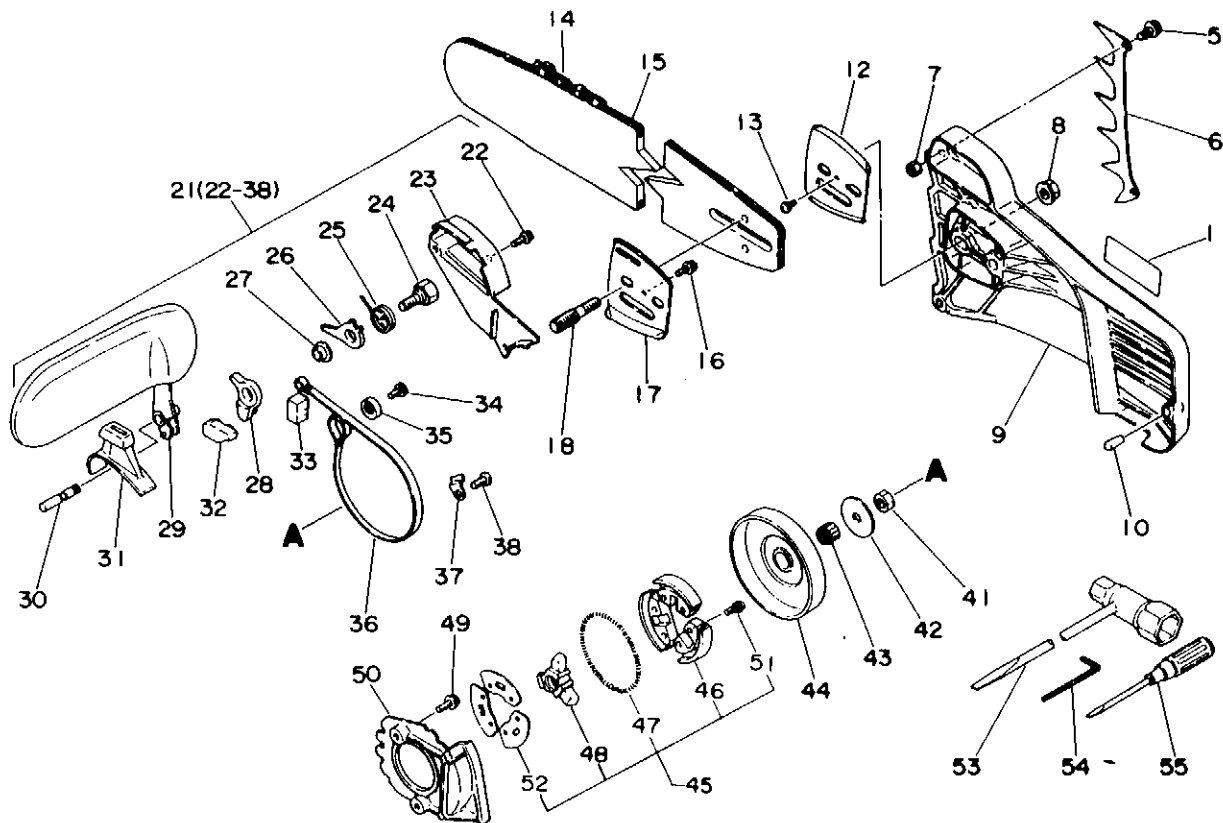


Key No.	Part Number	Q'ty	Description	Key No.	Part Number	Q'ty	Description
4- 5	900 220-0501 0	1	Screw 5x10	4- 20	-131 314-0033 0	1	Valve, check
6	437 059-1113 3	1	Stopper	21	-131 015-1453 1	1	Holder
7	437 000-0343 0	1	Auto oiler ass'y	22	-900 720-0002 2	1	O-ring 22
8	-437 020-0283 0	3	O-ring	23	131 010-1733 0	1	Tank, fuel
9	-437 019-0283 0	1	Spring	24	132 007-1233 0	1	Pipe
10	436 002-1453 1	1	Cap ass'y, oil	15	-132 115-1233 0	1	Grommet
11	-890 153-1143 0	1	Decal	26	131 205-0023 0	1	Strainer, fuel
12	-436 012-1233 0	1	Gasket				
13	436 010-1233 2	1	Tank, oil				
14	437 205-1233 0	1	Pipe				
15	-132 115-1233 0	1	Grommet				
16	436 205-1473 0	1	Strainer, Oil				
17	131 038-1233 1	1	Connector				
18	131 600-1453 2	1	Cap ass'y, fuel				
19	-890 154-1513 0	1	Decal				

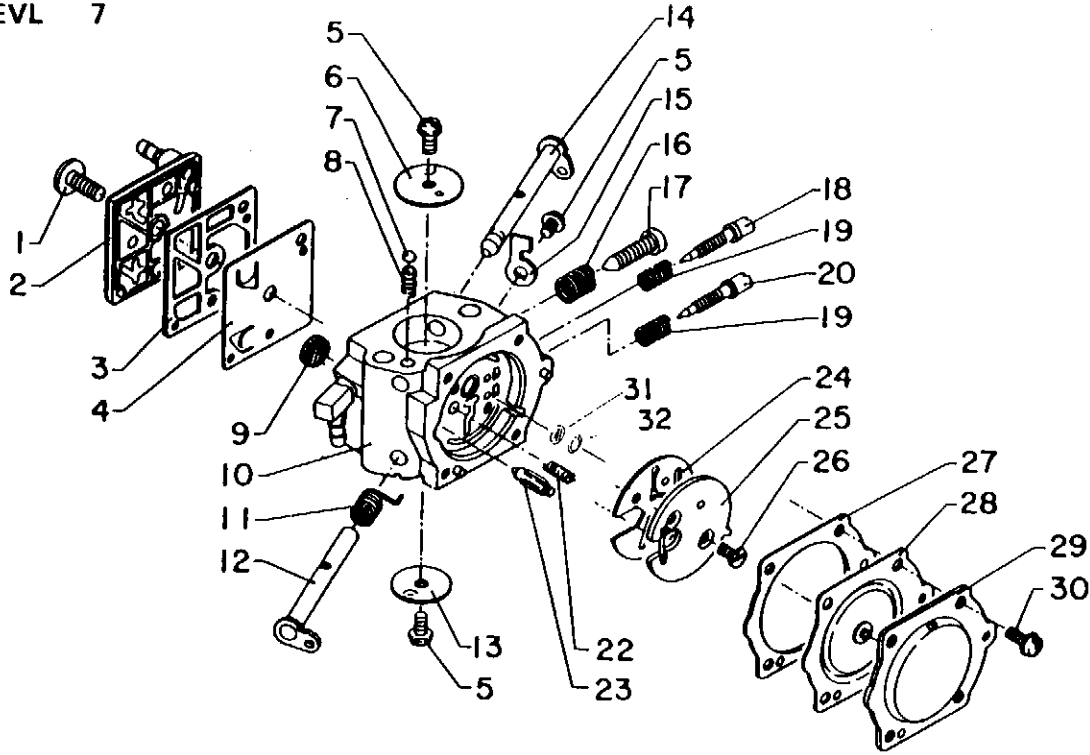


Key No.	Part Number	Q'ty	Description	Key No.	Part Number	Q'ty	Description
5-				5-			
11	351 614-1733 0	1	Supporter	25	900 340-5002 5	1	Pin, spring
12	351 606-1733 0	1	Handle, front	26	178 302-1233 0	1	Latch, throttle
13	-351 617-1633 0	1	Insert	27	178 011-1233 1	1	Rod, throttle
14	900 162-0502 5	1	H.S.H. bolt 5x25	28	178 043-1513 0	1	Spring, return
				29	178 010-1233 3	1	Trigger, throttle
15	351 110-1233 1	1	Handle, rear	30	178 090-1233 0	1	Lockout, throttle
16	351 137-1233 0	1	Stopper	31	178 091-1053 1	1	Spring
17	351 111-1233 0	1	Grip, rear handle	32	351 123-1253 1	1	Supporter
18	130 114-1233 0	1	Grommet	33	900 162-0502 0	5	H.S.H. bolt 5x20
19	178 210-1233 0	1	Grommet	34	351 138-1433 2	1	Cover, cushion
20	163 400-1523 0	1	Switch, stop	35	132 115-1233 0	1	Grommet
21	129 010-1233 0	1	Grommet	36	100 918-1433 0	6	Plug
22	178 810-1123 1	1	Grommet	37	100 915-1433 2	6	Screw
23	178 510-1233 0	1	Rod, choke	38	900 605-0000 5	6	Lock washer
24	900 340-4001 3	2	Pin, spring	39	100 910-1253 0	6	Cushion

Remark: 12 Includes 13.



Key No.	Part Number	Q'ty	Description	Key No.	Part Number	Q'ty	Description
6-	5	2	H.S.H. bolt 5x12	6-	30	1	Shaft
	6	1	Spike		31	1	Cover, lever
	7	2	Nut, lock		32	1	Reset rubber
	8	2	Nut		33	1	Seal
	9	1	Guard, sprocket		34	1	Screw 5x10
	10	1	Knock		35	1	Adjuster
	11	1	Label ECHO		36	1	Band, brake
	12	1	Plate, outer		37	1	Retainer
	13	2	Screw 3x6		38	1	Screw 5x10
	14	1	Chain 76LP-60E		41	1	Nut
	15	1	Bar, guide 40S50		42	1	Washer
	16	1	Screw 4x10		43	1	Bearing, needle
	17	1	Plate, inner		44	1	Drum, clutch
	18	2	Stud		45	1	Clutch ass'y
21	433 100-1733 1	1	Brake ass'y, chain		46	1set	Shoe
	22	3	Screw 4x10		47	1	Spring
	23	1	Cover		48	1	Hub
	24	1	Bolt		51	6	Screw
	25	1	Spring		52	3	Plate, side
	26	1	Stopper		49	2	Screw 4x14
	27	1	Spacer		50	1	Seal plate
	28	1	Connector		53	1	Wrench
	29	1	Handle		54	1	L-wrench 4
					55	1	Screw driver



Key No.	Part Number	Q'ty	Description	Key No.	Part Number	Q'ty	Description
7- *	123 000-1903 0	1	Carburetor ass'y HDB17	7-16	-123 133-1113 0	1	Spring, idle screw
1	-123 110-0393 0	1	Screw, pump cover	17	-123 134-1113 0	1	Screw, idle adjustment
2	-123 124-1233 0	1	Cover fuel pump	18	-123 118-1233 0	1	Needle, idle
3	-123 125-1233 0	1	Gasket, fuel pump	19	-123 121-0393 0	2	Spring, needle
4	-123 112-1233 0	1	Diaphragm, fuel pump	20	-123 120-1233 0	1	Needle, high speed
5	-123 114-0393 0	3	Screw throttle valve	22	-123 122-0393 0	1	Spring, metering lever
6	-123 132-1233 0	1	Valve, choke	23	-123 137-0393 0	1	Valve, inlet needle
7	-123 136-1063 0	1	Ball, choke friction	24	-123 164-1233 0	1	Gasket, circuit plate
8	-123 135-1063 0	1	Spring, choke friction	25	-123 166-1233 0	1	Plate, circuit
9	-123 126-1063 1	1	Screen, inlet	26	-123 167-1233 0	2	Screw, circuit plate
11	-123 113-1233 0	1	Spring, throttle return	27	-123 140-1063 0	1	Gasket, metering diaphragm
12	-123 117-1233 0	1	Shaft ass'y, throttle	28	-123 141-1233 0	1	Diaphragm, metering
13	-123 116-0393 0	1	Valve, throttle	29	-123 142-1233 0	1	Cover, metering diaphragm
14	-123 131-1233 0	1	Shaft ass'y, choke	30	-123 130-0296 0	4	Screw
15	-123 156-1233 0	1	Throttle stop	31	-123 168-1063 1	1	Filter
				32	-123 169-1063 0	1	Ring, screen
				Part Number	Description	Key No.	
				123 103-1233 0	Kit, gasket/diaphragm	3,4,24,27,28	
				123 102-1233 1	Kit, kwik repair	3,4,5,7,8,9,19,22,23,24,26,27,28,30,31,32	

Remarks :
* Consists of 1 thru 32.



KIORITZ CORPORATION

7-2, SUEHIROCHO 1-CHOME, OHME, TOKYO 198, JAPAN
PHONE: 0428-32-6118, FAX: 0428-32-6145, TELEX: 2852070 KIORIT J