



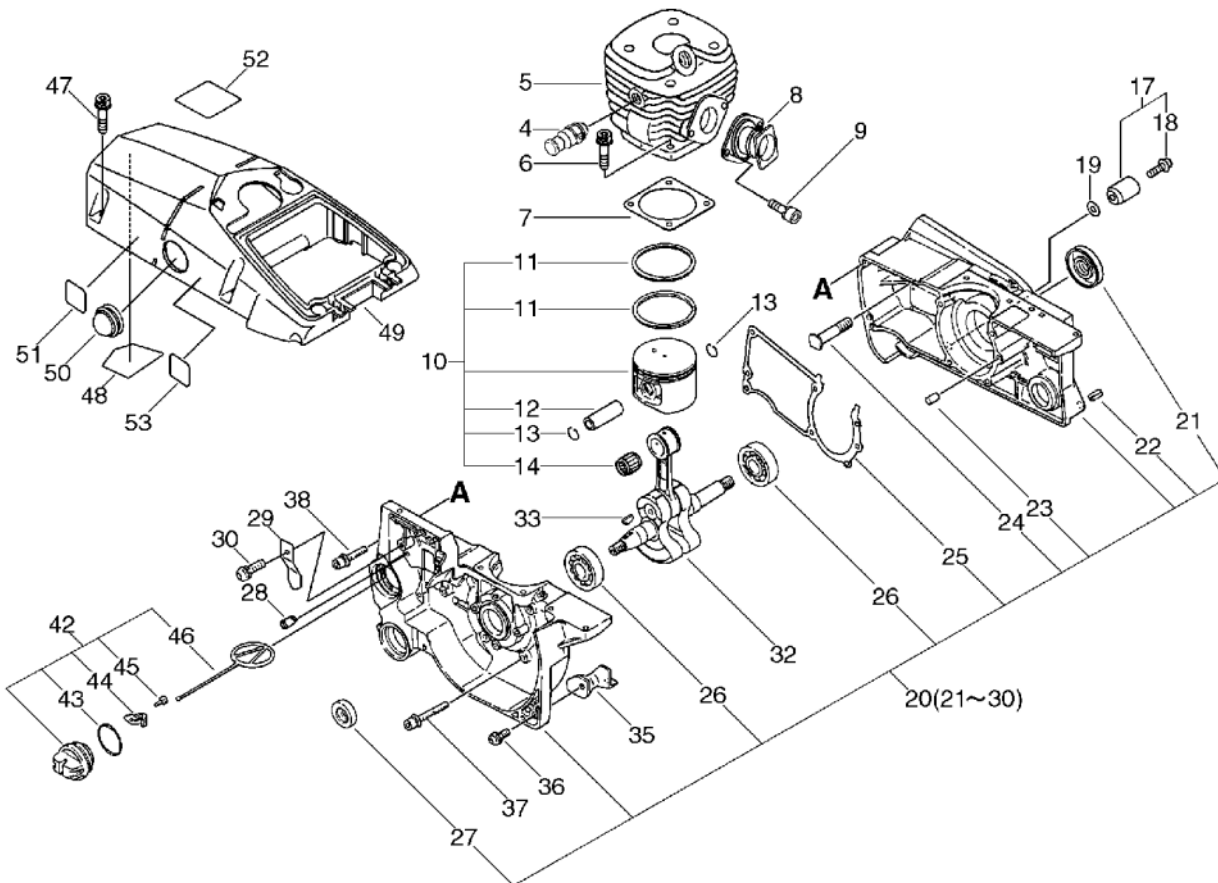
# **PARTS CATALOGUE**

## **CHAIN SAW CS-6703(36)**

**36000001 - 36001962**

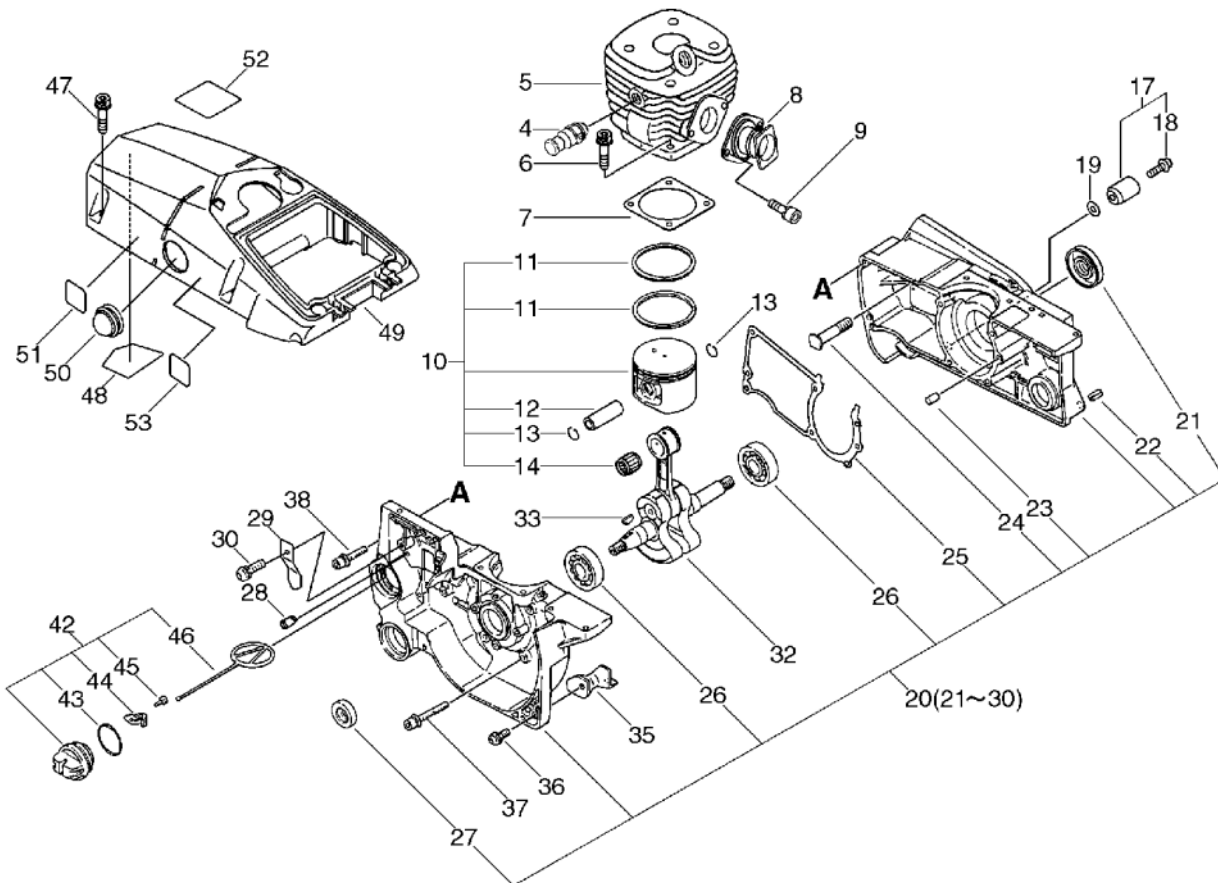
**CS-6703(36)**

# 1. Cylinder, Crankcase, Piston(Sr/Nr 36001100 and before)



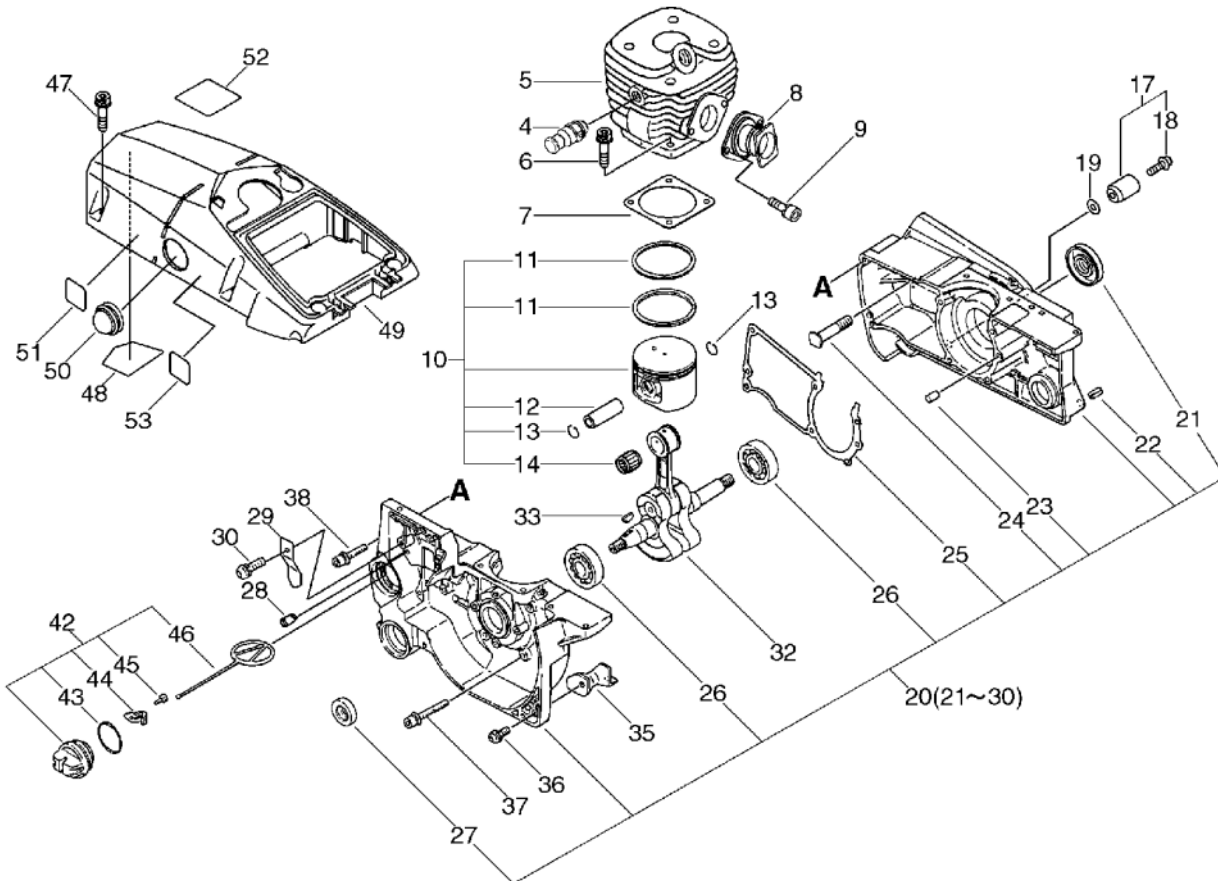
KEY	LV	PART NUMBER	Q'TY	DESCRIPTION	REMARKS	NOTE1	NOTE2
4		A014-000010	1	DECOMP,ASM			
5		A130-000241	1	CYLINDER			
6		900162-05025	4	BOLT, H.S. 5*25	5*25 W,SW		
7		101010-32431	1	GASKET, CYL. BASE			
8		A202-000010	1	BELLOWS,INTAKE			
9		900162-05014	2	BOLT, H.S. 5*14	5*14 W,SW		
10		P021-002791	1	PISTON KIT			
11	+	100011-32431	2	RING, PISTON			
12	+	V610-000000	1	PIN,ENG 12			
13	+	V580-000000	2	RING,END			
14	+	100012-32430	1	BEARING, NEEDLE			
17		433000-19831	1	CATCHER KIT, CHAIN			
18	+	900220-05018	1	SCREW 5*18	5*18		
19		900600-00005	1	WASHER 5	5		
20		100204-32435	1	CRANKCASE KIT			
21	+	100212-32430	1	OILSEAL (L)	25Z-15*39.9*7		
22	+	900345-50010	1	PIN, SPRING 5*10SUS	5*10SUS		
23	+	100215-02830	2	PIN, DOWEL			
24	+	433011-19830	2	STUD, GUIDE BAR			
25	+	100242-32430	1	GASKET, CRANKCASE			
26	+	900810-36202	2	BEARING, BALL 6202	6202/C3		
27	+	100212-19830	1	OILSEAL	ISM 15*25*6		
28	+	436114-13930	1	VALVE, CHECK			
29	+	V150-000570	1	PLATE,EYE			
30	+	900242-04008	1	SCREW	4*8		

# 1. Cylinder, Crankcase, Piston(Sr/Nr 36001100 and before)



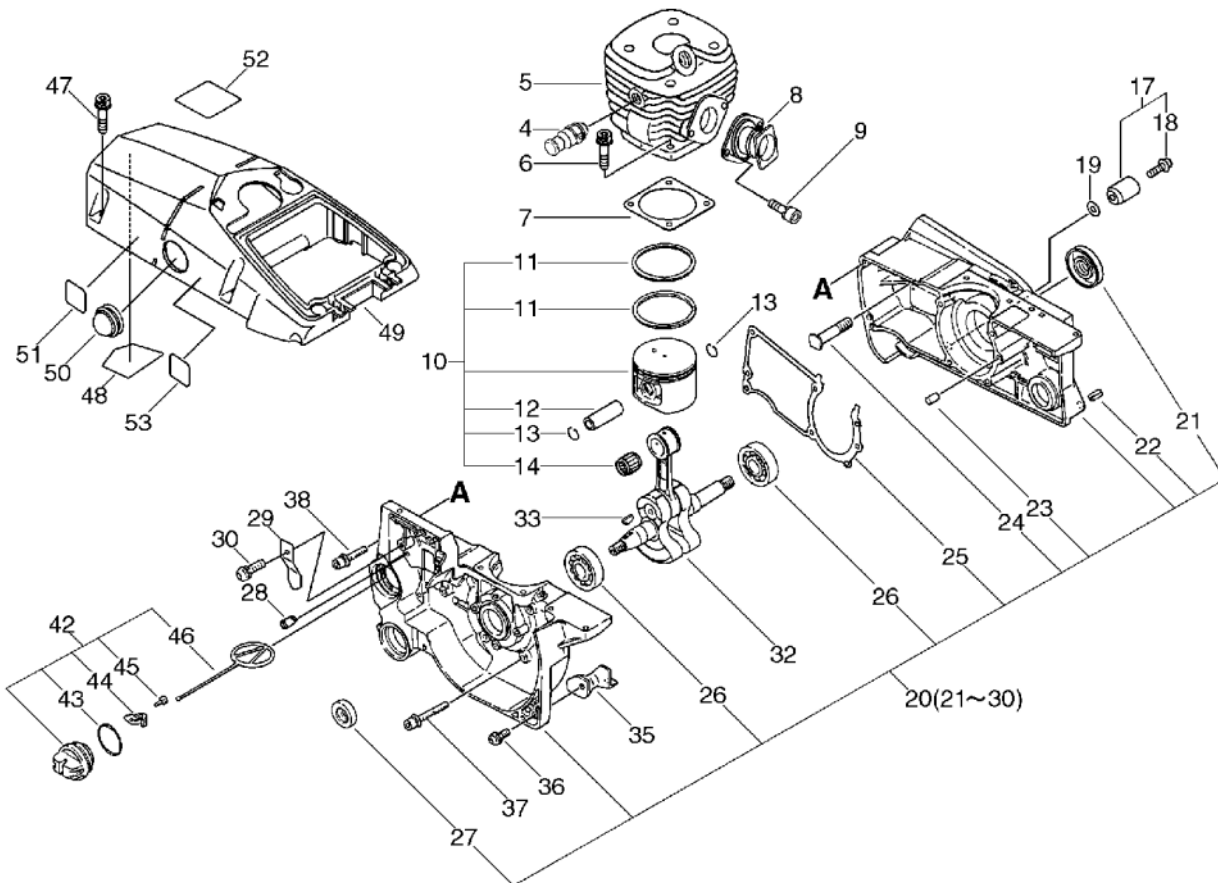
KEY	LV	PART NUMBER	Q'TY	DESCRIPTION	REMARKS	NOTE1	NOTE2
32		A011-000250	1	CRANKSHAFT,ASM			
33		100142-30830	1	KEY, WOODRUFF			
35		V401-000060	1	CUSHION,5			
36		900238-05014	1	SCREW 5*14	5*14		
37		900162-05035	4	BOLT, H.S. 5*35	5*35 W,SW		
38		900162-05020	2	BOLT, H.S. 5*20	5*20 W,SW		
42		436001-37933	1	CAP ASSY, OIL TANK			
43	+	900725-02025	1	O-RING	JASO 2025		
44	+	131050-19830	1	RETAINER, LINK			
45	+	900246-03008	1	SCREW 3*8	3*8		
46	+	131051-19830	1	LINK	60L		
47		900162-05020	5	BOLT, H.S. 5*20	5*20 W,SW		
48		V341-000010	1	WASHER,SQUARE			
49		A160-000330	1	COVER,CYLINDER			
50		101578-37531	1	PLUG			
51		X505-000000	1	LABEL,CAUTION			
52		890345-39230	1	LABEL,CAUTION			
53		X505-000180	1	LABEL,CAUTION			

## 2. Cylinder, Crankcase, Piston(Sr/Nr 36001101 and after)



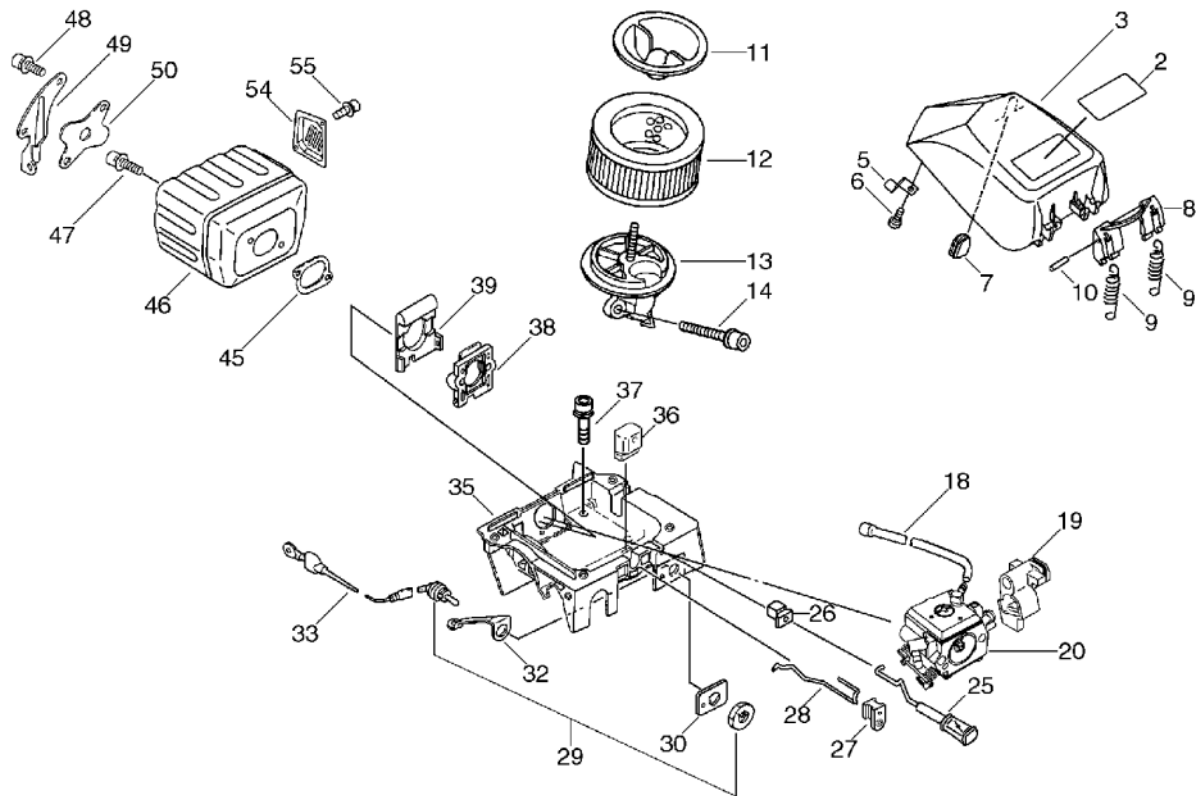
KEY	LV	PART NUMBER	Q'TY	DESCRIPTION	REMARKS	NOTE1	NOTE2
4		A014-000010	1	DECOMP,ASM			
5		A130-000241	1	CYLINDER			
6		900162-05025	4	BOLT, H.S. 5*25	5*25 W,SW		
7		101010-32431	1	GASKET, CYL. BASE			
8		A202-000010	1	BELLOWS,INTAKE		Sus. by A202-000011	
8		A202-000011	1	BELLOWS,INTAKE			
9		900162-05014	2	BOLT, H.S. 5*14	5*14 W,SW		
10		P021-002791	1	PISTON KIT			
11	+	100011-32431	2	RING, PISTON			
12	+	V610-000000	1	PIN,ENG 12			
13	+	V580-000000	2	RING,END			
14	+	100012-32430	1	BEARING, NEEDLE			
17		433000-19831	1	CATCHER KIT, CHAIN			
18	+	900220-05018	1	SCREW 5*18	5*18		
19		900600-00005	1	WASHER 5	5		
20		100204-32435	1	CRANKCASE KIT			
21	+	100212-32430	1	OILSEAL (L)	25Z-15*39.9*7		
22	+	900345-50010	1	PIN, SPRING 5*10SUS	5*10SUS		
23	+	100215-02830	2	PIN, DOWEL			
24	+	433011-19830	2	STUD, GUIDE BAR			
25	+	100242-32430	1	GASKET, CRANKCASE			
26	+	900810-36202	2	BEARING, BALL 6202	6202/C3		
27	+	100212-19830	1	OILSEAL	ISM 15*25*6		
28	+	436114-13930	1	VALVE, CHECK			

## 2. Cylinder, Crankcase, Piston(Sr/Nr 36001101 and after)



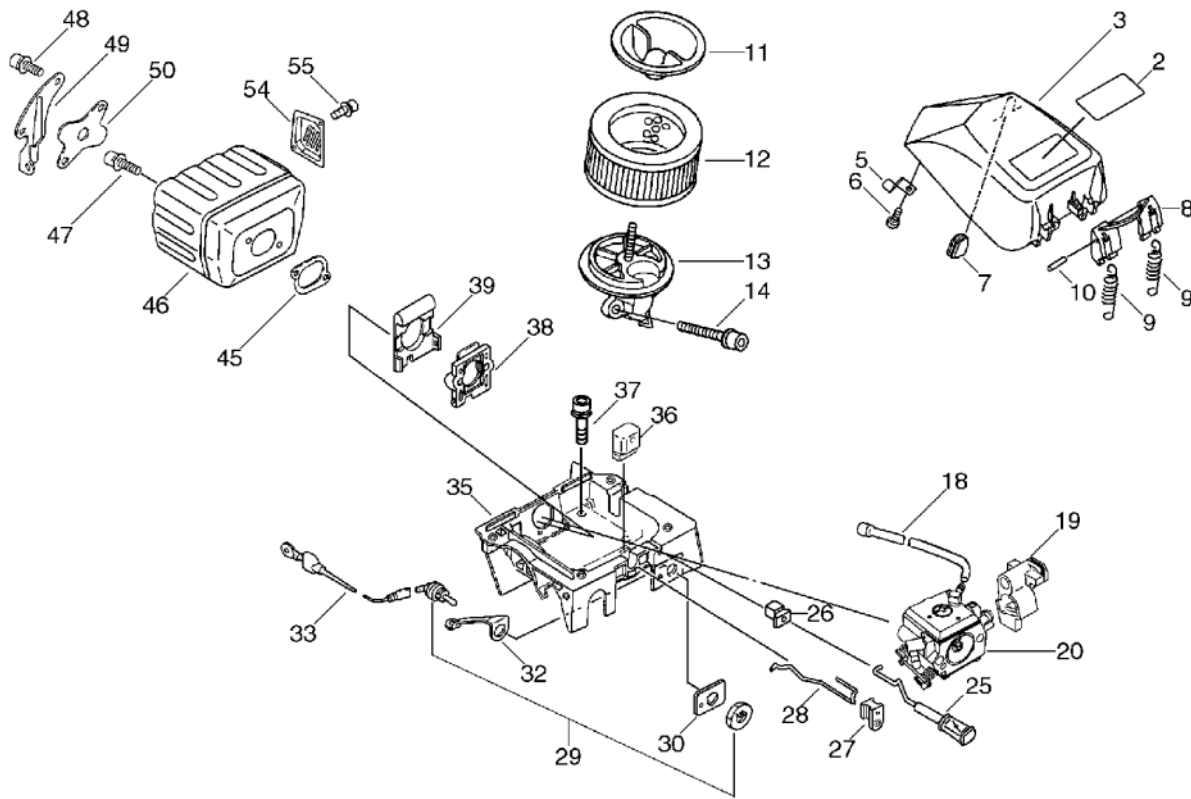
KEY	LV	PART NUMBER	Q'TY	DESCRIPTION	REMARKS	NOTE1	NOTE2
29	+	V150-000570	1	PLATE,EYE			
30	+	900242-04008	1	SCREW	4*8		
32		A011-000250	1	CRANKSHAFT,ASM			
33		100142-30830	1	KEY, WOODRUFF			
35		V401-000060	1	CUSHION,5			
36		900238-05014	1	SCREW 5*14	5*14		
37		900162-05035	4	BOLT, H.S. 5*35	5*35 W,SW		
38		900162-05020	2	BOLT, H.S. 5*20	5*20 W,SW		
42		436001-37933	1	CAP ASSY, OIL TANK			
43	+	900725-02025	1	O-RING	JASO 2025		
44	+	131050-19830	1	RETAINER, LINK			
45	+	900246-03008	1	SCREW 3*8	3*8		
46	+	131051-19830	1	LINK	60L		
47		900162-05020	5	BOLT, H.S. 5*20	5*20 W,SW		
48		V341-000010	1	WASHER,SQUARE			
49		A160-000330	1	COVER,CYLINDER		Sus. by A160-000331	
49		A160-000331	1	COVER,CYLINDER			
50		101578-37531	1	PLUG			
51		X505-000000	1	LABEL,CAUTION			
52		890345-39230	1	LABEL,CAUTION			
53		X505-000180	1	LABEL,CAUTION			

### 3. Air Cleaner, Carburettor, Muffler(Sr/Nr 36001100 and before)



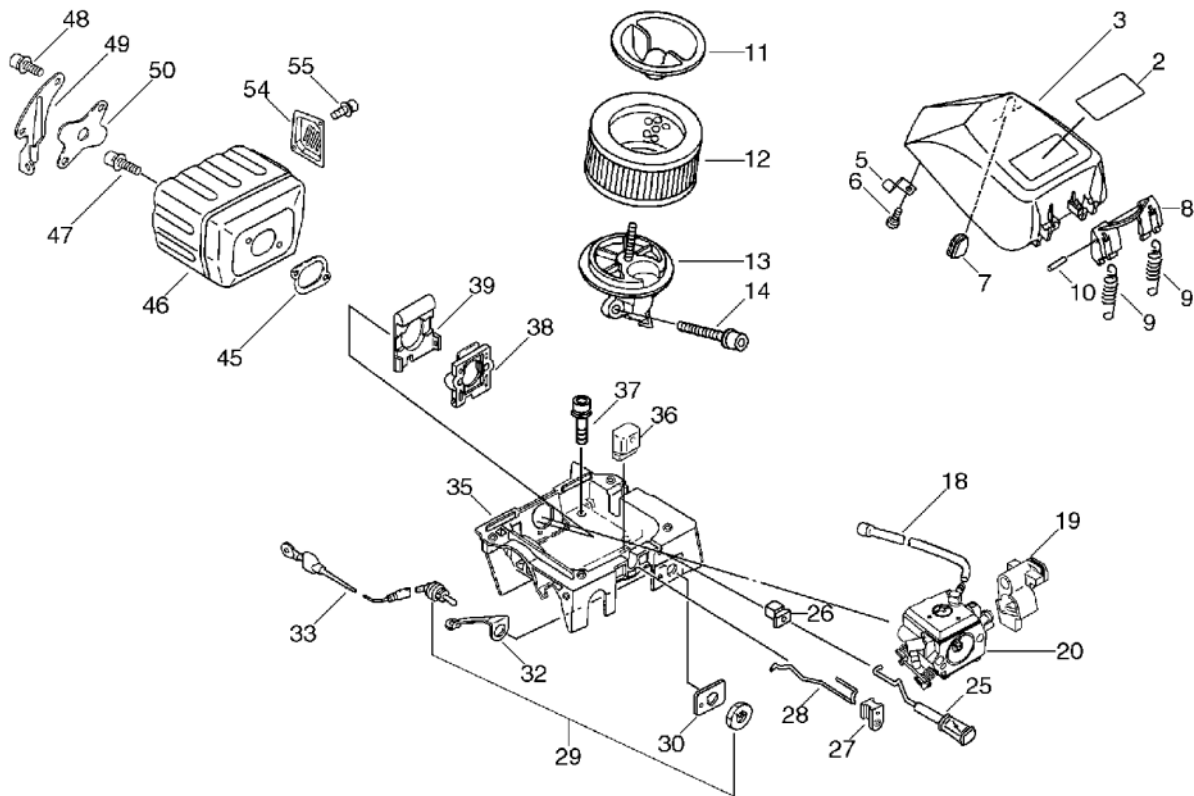
KEY	LV	PART NUMBER	Q'TY	DESCRIPTION	REMARKS	NOTE1	NOTE2
2		X503-009180	1	LABEL,MODEL	CS-6703 EU		
3		A232-000070	1	LID,CLEANER			
5		V453-000040	2	SPRING,FLAT			
6		900253-04010	2	SCREW 4*10	4*10		
7		130338-32430	1	PLUG, COVER			
8		A235-000050	1	KNOB,CLEANER LID			
9		V451-000190	2	SPRING,TENSION			
10		900330-30120	4	PIN	3*12		
11		A238-000030	1	HOLDER,ELEMENT			
12		A226-000070	1	ELEMENT,AIR FILTER			
13		A204-000020	1	ELBOW,CARBURETOR			
14		91107-05050	2	BOLT HSH FLANGE	5*50		
18		130110-19830	1	PIPE, IMPULSE			
19		V131-000010	1	GROMMET,NEEDLE			
20		A021-000290	1	CARBURETOR,DIAPHRAGM	HDA-203		
25		A241-000030	1	KNOB,CHOKE			
26		178810-33331	1	GROMMET, CHOKE			
27		178114-32630	1	HOLDER, THR. LEVER			
28		C454-000060	1	ROD,THROTTLE			
29		163400-32430	1	SWITCH, IGNITION			
30		890157-19830	1	LABEL, SWITCH			
32		156635-32430	1	PLATE, GROUND			
33		162021-32430	1	LEAD			
35		A220-000012	1	CASE,CARBURETOR			
36		V420-000540	1	CUSHION			
37		900162-05020	4	BOLT, H.S. 5*20	5*20 W,SW		

**3. Air Cleaner, Carburettor, Muffler(Sr/Nr 36001100 and before)**



KEY	LV	PART NUMBER	Q'TY	DESCRIPTION	REMARKS	NOTE1	NOTE2
38		P021-002800	1	INSULATOR,INTAKE			
39		V420-000320	1	CUSHION			
45		145510-32431	1	GASKET, MUFFLER			
46		145610-32430	1	MUFFLER			
47		900162-05020	2	BOLT, H.S. 5*20	5*20 W,SW		
48		900162-05014	2	BOLT, H.S. 5*14	5*14 W,SW		
49		145711-32430	1	BRACKET, MUFFLER			
50		145813-31730	1	COVER, MUFFLER			
54		145861-32430	1	LID, MUFFLER			
55		900162-04010	2	BOLT, H.S. 4*10	4*10 W,SW		

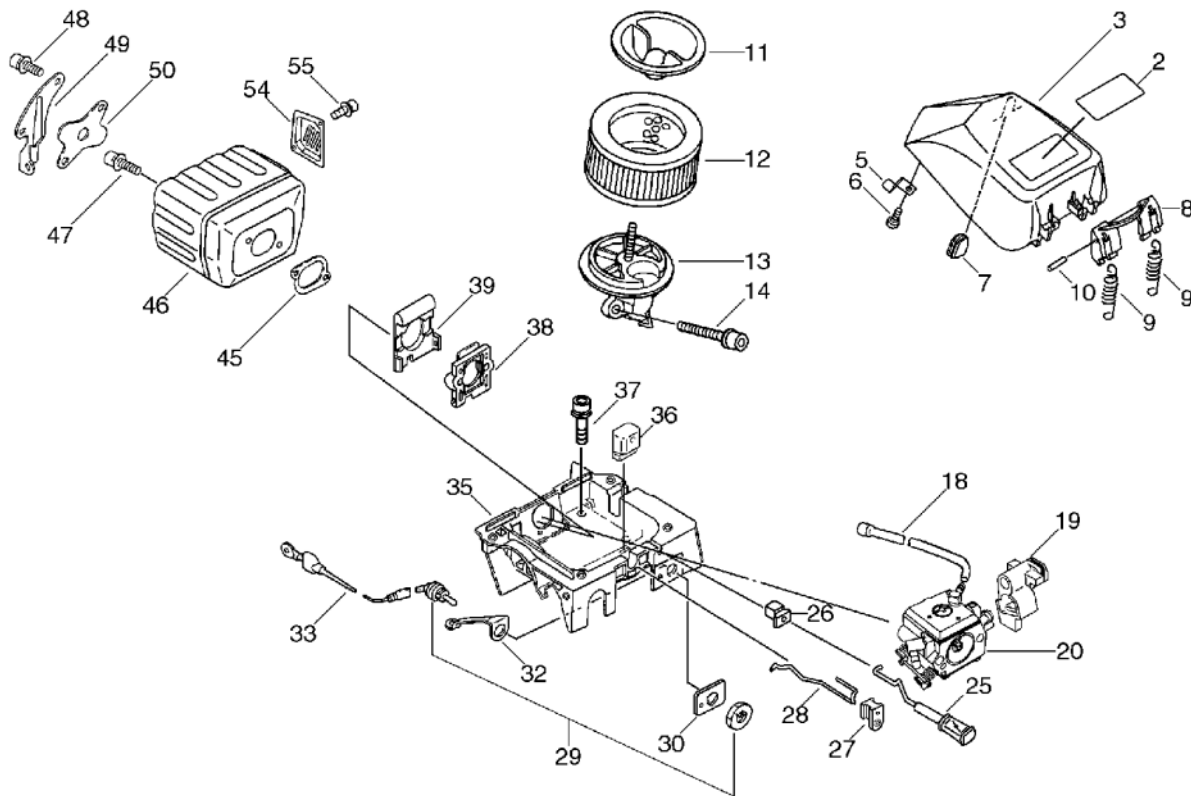
## 4. Air Cleaner, Carburettor, Muffler(Sr/Nr 36001101 and after)



KEY	LV	PART NUMBER	Q'TY	DESCRIPTION	REMARKS	NOTE1	NOTE2
2		X503-009180	1	LABEL,MODEL	CS-6703 EU		
3		A232-000070	1	LID,CLEANER			
5		V453-000040	2	SPRING,FLAT			
6		900253-04010	2	SCREW 4*10	4*10		
7		130338-32430	1	PLUG, COVER			
8		A235-000050	1	KNOB,CLEANER LID			
9		V451-000190	2	SPRING,TENSION			
10		900330-30120	4	PIN	3*12		
11		A238-000030	1	HOLDER,ELEMENT			
12		A226-000070	1	ELEMENT,AIR FILTER			
13		A204-000020	1	ELBOW,CARBURETOR			
14		91107-05050	2	BOLT HSH FLANGE	5*50		
18		130110-19830	1	PIPE, IMPULSE			
19		V131-000010	1	GROMMET,NEEDLE			
20		A021-000290	1	CARBURETOR,DIAPHRAGM	HDA-203		
25		A241-000030	1	KNOB,CHOKE			
26		178810-33331	1	GROMMET, CHOKE			
27		178114-32630	1	HOLDER, THR. LEVER			
28		C454-000060	1	ROD,THROTTLE			
29		163400-32430	1	SWITCH, IGNITION			
30		890157-19830	1	LABEL, SWITCH			
32		156635-32430	1	PLATE, GROUND			
33		162021-32430	1	LEAD		Sus. by 162021-32431	
33		162021-32431	1	LEAD			
35		A220-000012	1	CASE,CARBURETOR			

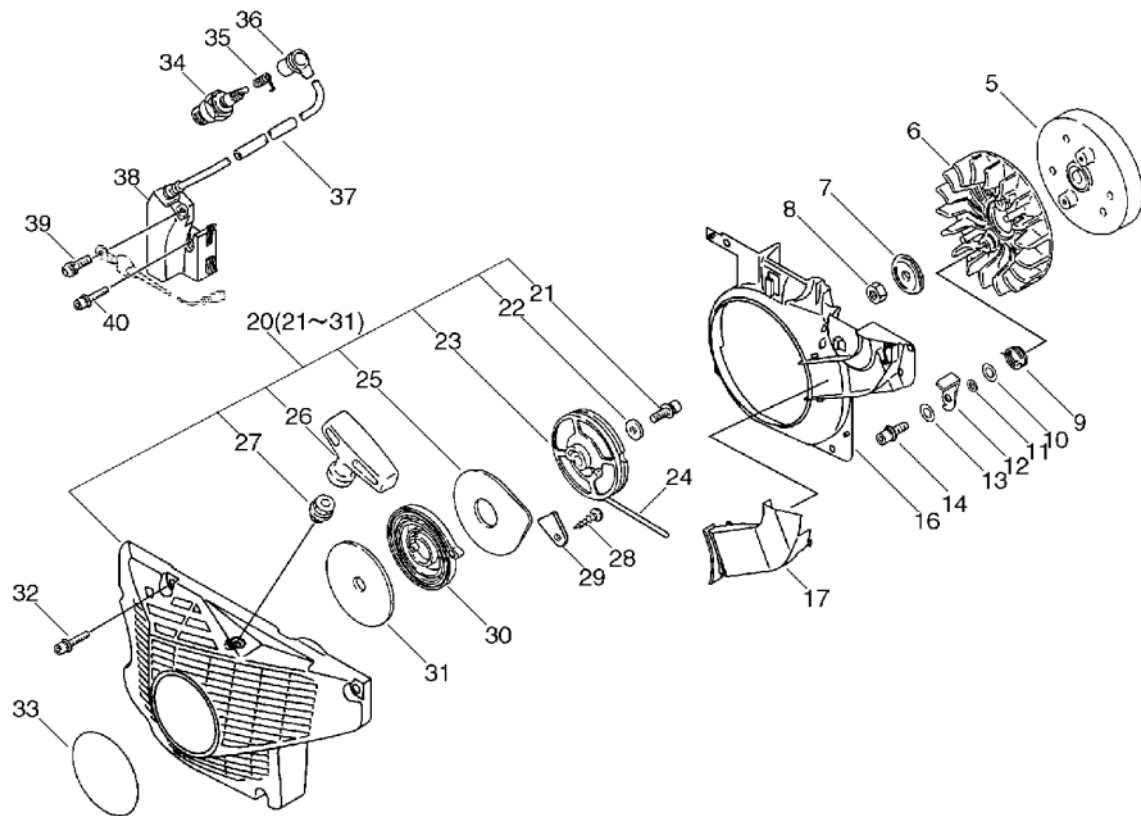


### 4. Air Cleaner, Carburettor, Muffler(Sr/Nr 36001101 and after)



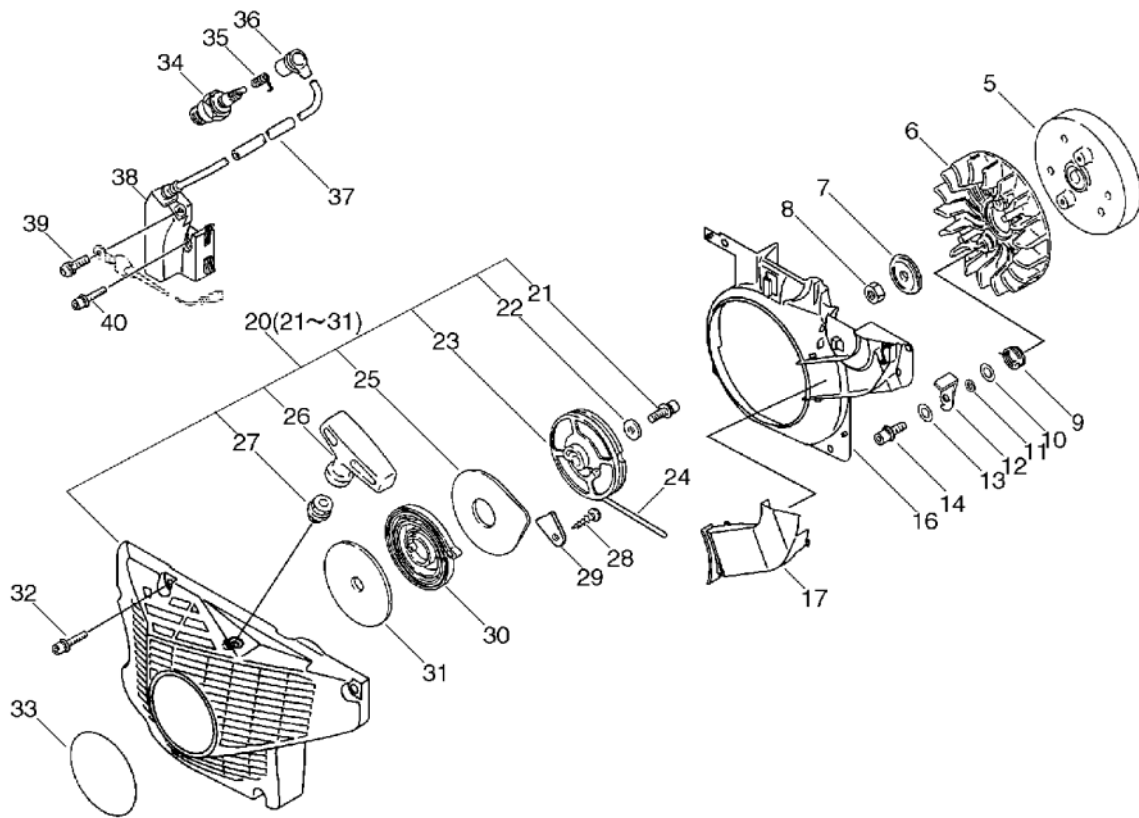
KEY	LV	PART NUMBER	Q'TY	DESCRIPTION	REMARKS	NOTE1	NOTE2
36		V420-000540	1	CUSHION			
37		900162-05020	4	BOLT, H.S. 5*20	5*20 W,SW		
38		P021-002800	1	INSULATOR,INTAKE			
39		V420-000320	1	CUSHION			
45		145510-32431	1	GASKET, MUFFLER			
46		145610-32430	1	MUFFLER			
47		900162-05020	2	BOLT, H.S. 5*20	5*20 W,SW		
48		900162-05014	2	BOLT, H.S. 5*14	5*14 W,SW		
49		145711-32430	1	BRACKET, MUFFLER			
50		145813-31730	1	COVER, MUFFLER			
54		145861-32430	1	LID, MUFFLER			
55		900162-04010	2	BOLT, H.S. 4*10	4*10 W,SW		

## 5. Starter, Magneto



KEY	LV	PART NUMBER	Q'TY	DESCRIPTION	REMARKS	NOTE1	NOTE2
5		156800-32631	1	ROTOR, MAGNETO			
6		101521-32330	1	FAN, COOLING			
7		100143-19830	1	WASHER	8.2*31*0.8		
8		900500-00008	1	NUT 8	8*P1.25		
9		177234-19832	2	SPRING, RETURN			
10		900630-00005	2	WASHER 5	5(ト)5.5*16*1T		
11		V353-000191	2	COLLAR,5			
12		177218-32631	2	PAWL, STARTER			
13		900603-00005	2	WASHER 5	5.5*12*0.8		
14		V203-000150	2	BOLT,5	5*18		
16		A172-000130	1	COVER,FAN			
17		A161-000020	1	DUCT,AIR			
20		P021-002901	1	STARTER ASY			
21	+	900162-05014	1	BOLT, H.S. 5*14	5*14 W,SW		
22	+	900603-00005	1	WASHER 5	5.5*12*0.8		
23	+	177215-32330	1	DRUM, STARTER			
24	+	177226-07060	1	ROPE, STARTER	4.0*950		
25	+	177221-07060	1	PLATE, STARTER			
26	+	177228-30830	1	GRIP, STARTER			
27	+	177227-10630	1	GUIDE, ROPE			
28	+	900253-04008	1	SCREW 4*8	4*8		
29	+	433144-15130	1	PLATE,EYE			
30	+	177220-02834	1	SPRING, REWIND			
31	+	177221-02830	1	PLATE, STARTER			
32		900162-05020	4	BOLT, H.S. 5*20	5*20 W,SW		

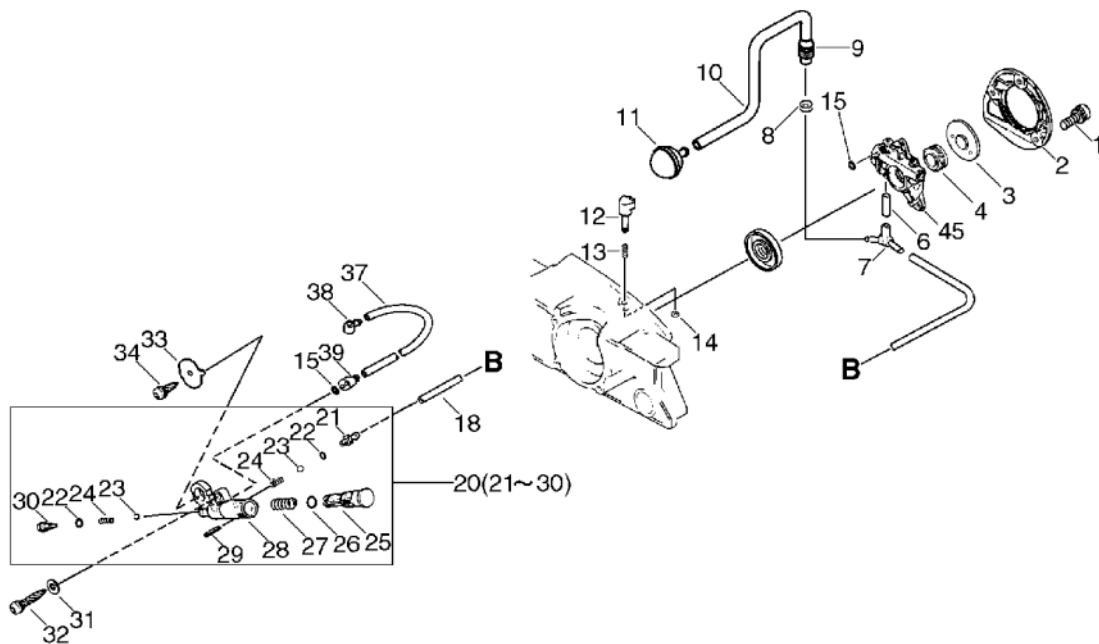
## 5. Starter, Magneto



KEY	LV	PART NUMBER	Q'TY	DESCRIPTION	REMARKS	NOTE1	NOTE2
33		X502-000460	1	LABEL,ECHO			
34		159010-10230	1	PLUG, SPARK (BPMR-7A	BPMR-7A		
35		A426-000010	1	TERMINAL, SPARKPLUG			
36		A427-000013	1	CAP, SPARK PLUG			
37		156611-19830	1	TUBE			
38		156601-32632	1	COIL, IGNITION			
39		900242-04008	1	SCREW	4*8		
40		900162-04020	2	BOLT, H.S. 4*20	4*20 W,SW		

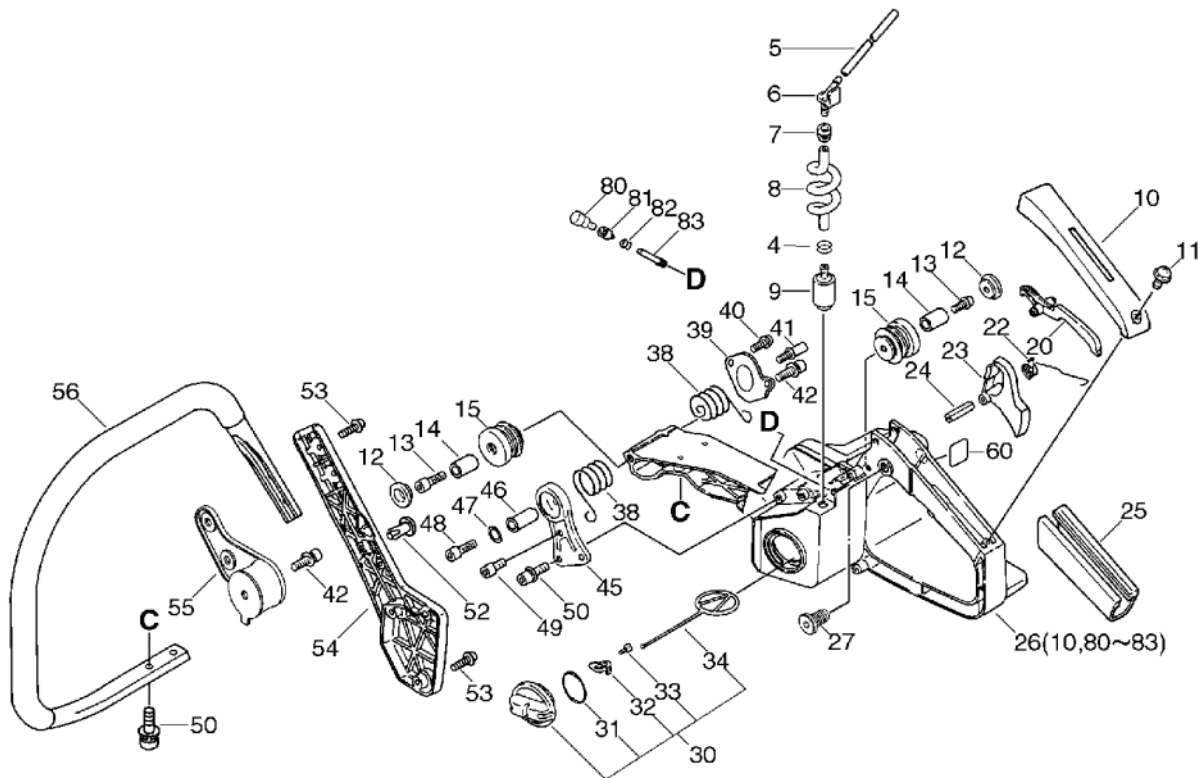


## 6. Auto-Oiler



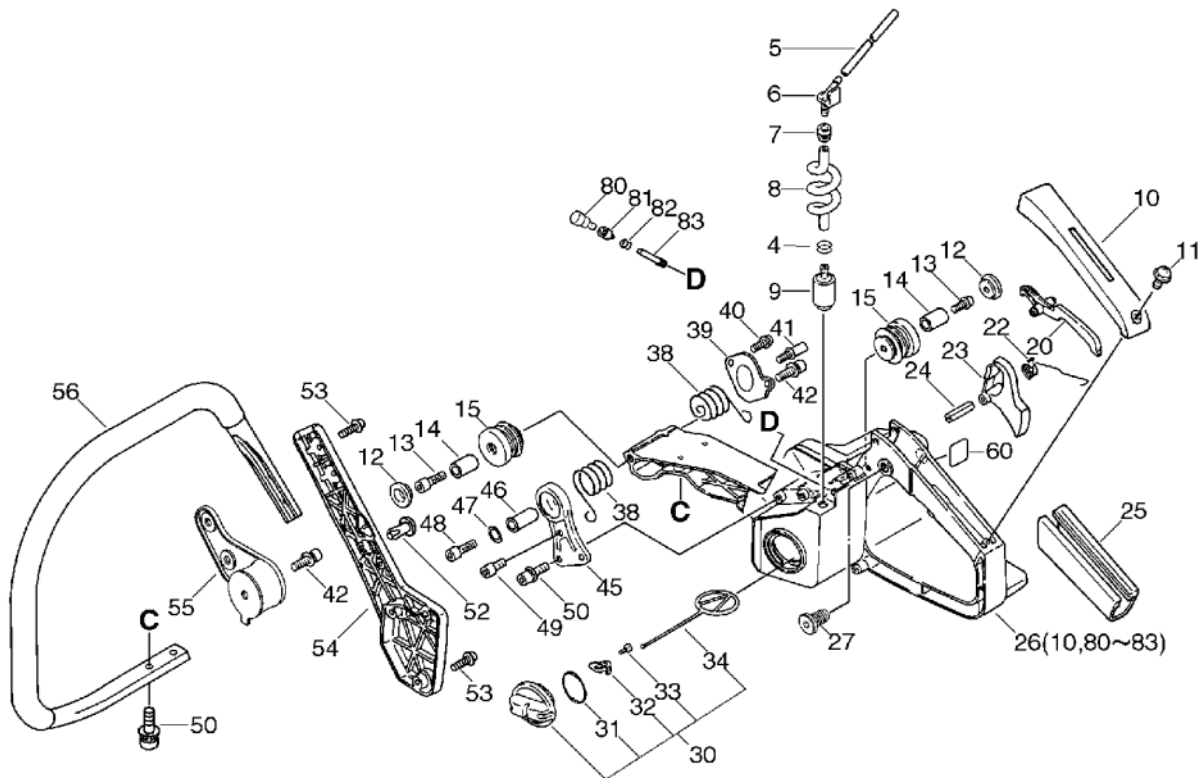
KEY	LV	PART NUMBER	Q'TY	DESCRIPTION	REMARKS	NOTE1	NOTE2
31		900603-00005	1	WASHER 5	5.5*12*0.8		
32		900252-05020	1	SCREW 5*20	5*20		
33		437413-19830	1	BARCKET, OIL PUMP			
34		900252-04010	1	SCREW 4*10	4*10		
37		437216-32630	1	PIPE, OUTLET			
38		437232-32630	1	CONNECTOR, OIL PIPE			
39		437212-32630	1	CONNECTOR, OIL PIPE			
45		437002-37530	1	AUTO-OILER ASSY			

## 7. Handle(Sr/Nr 36001100 and before)



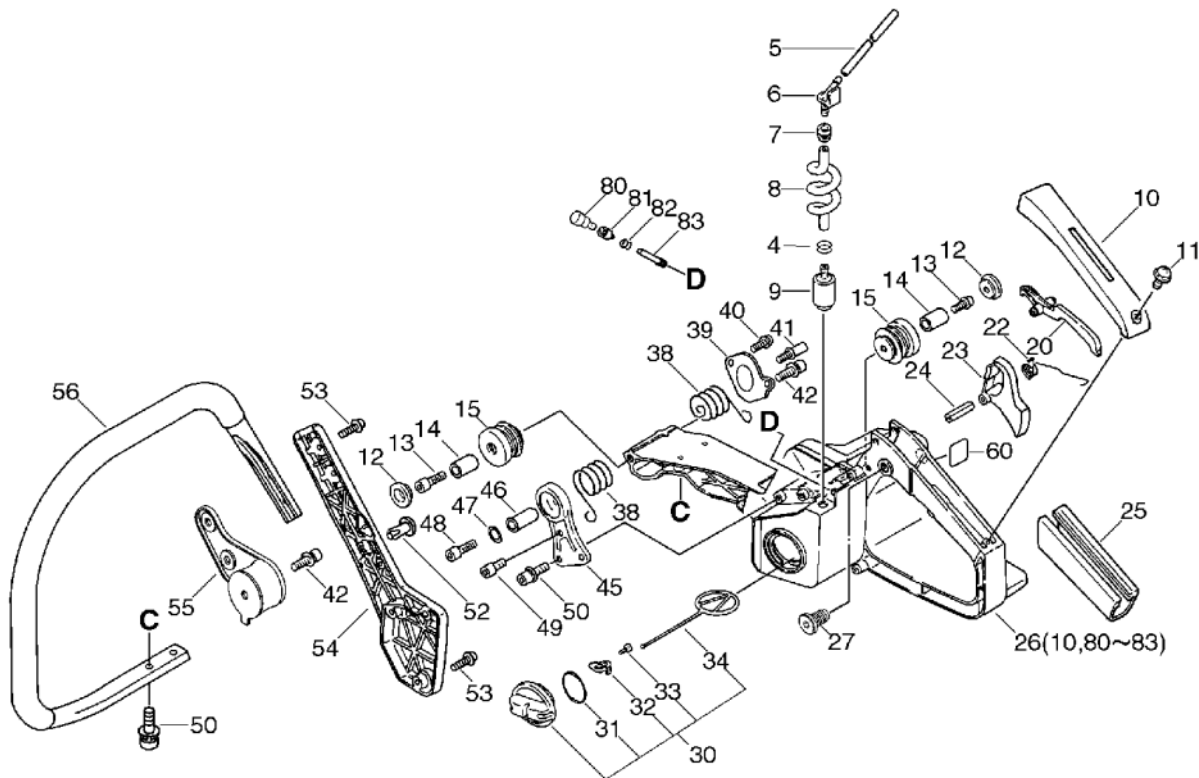
KEY	LV	PART NUMBER	Q'TY	DESCRIPTION	REMARKS	NOTE1	NOTE2
4		132013-26630	1	CLIP	6.5MM		
5		132010-56030	1	PIPE 3*6*110	3*6*110 NBR		
6		132011-19831	1	CONNECTOR, FUEL PIPE			
7		132115-01461	1	GROMMET			
8		132010-30830	1	PIPE			
9		131205-19830	1	STRAINER, FUEL			
11		900238-04014	1	SCREW 4*14	4*14		
12		100918-19830	2	CAP, CUSHION			
13		900105-05025	2	BOLT, H.S. 5*25	5*25		
14		V353-000110	2	COLLAR,5			
15		V420-000530	2	CUSHION			
20		178090-37930	1	LOCKOUT, T. CONTROL			
22		178043-19830	1	SPRING, THR. RETURN			
23		C450-000042	1	TRIGGER, THROTTLE			
24		900342-50025	1	PIN, SPRING 5*25	5*25		
25		351111-19830	1	GRIP, HANDLE			
26		351103-32433	1	HANDLE, REAR			
10	+	351155-35430	1	COVER, HANDLE (BL)			
80	+	131300-56430	1	VALVE, CHECK			
81	+	131328-40630	1	COVER, VENT			
82	+	130111-00530	1	CLIP	5.5		
83	+	131312-32430	1	PIPE, VENT			
27		V162-000040	1	PLUG			
30		131004-37631	1	CAP ASSY, FUEL TANK			
31	+	900720-20029	1	O-RING 29	P-29		
32	+	131050-19830	1	RETAINER, LINK			

## 7. Handle(Sr/Nr 36001100 and before)



KEY	LV	PART NUMBER	Q'TY	DESCRIPTION	REMARKS	NOTE1	NOTE2
33	+	900246-03008	1	SCREW 3*8	3*8		
34	+	131051-19830	1	LINK	60L		
38		V450-000150	2	SPRING, COMPRESSION			
39		V150-000750	1	PLATE, EYE			
40		900162-04008	1	BOLT, H.S. 4*8	4*8 W, SW		
41		V203-000050	1	BOLT, 5			
42		900162-05014	2	BOLT, H.S. 5*14	5*14 W, SW		
45		V419-000010	1	BRACKET, CUSHION			
46		V353-000120	1	COLLAR, 5			
47		900630-00005	1	WASHER 5	5(ﾄ)5.5*16*1T		
48		900105-05035	1	BOLT, H.S. 5*35	5*35		
49		900105-05008	1	BOLT, H.S. 5*8	5*8		
50		900162-05014	4	BOLT, H.S. 5*14	5*14 W, SW		
52		V649-000010	1	RIVET			
53		900238-05020	5	SCREW 5*20	5*20		
54		351616-38130	1	BRACKET, HANDLE			
55		V401-000050	1	CUSHION, 5			
56		C400-000100	1	HANDLE, FRONT			
60		890157-39130	1	LABEL, SWITCH			

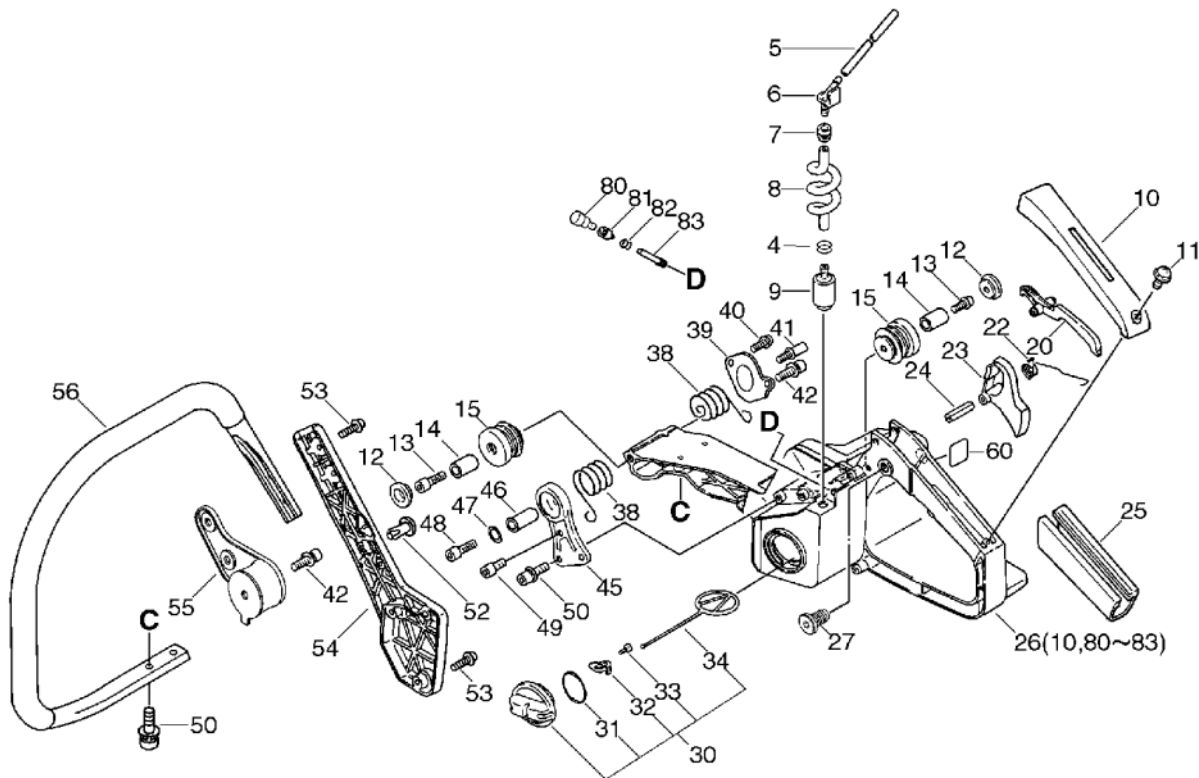
## 8. Handle(Sr/Nr 36001101 and after)



KEY	LV	PART NUMBER	Q'TY	DESCRIPTION	REMARKS	NOTE1	NOTE2
4		132013-26630	1	CLIP	6.5MM		
5		132010-56030	1	PIPE 3*6*110	3*6*110 NBR		
6		132011-19831	1	CONNECTOR, FUEL PIPE			
7		132115-01461	1	GROMMET			
8		132010-30830	1	PIPE			
9		131205-19830	1	STRAINER, FUEL		Sus. by 131205-19831	
9		131205-19831	1	STRAINER, FUEL			
11		900238-04014	1	SCREW 4*14	4*14		
12		100918-19830	2	CAP, CUSHION			
13		900105-05025	2	BOLT, H.S. 5*25	5*25		
14		V353-000110	2	COLLAR,5			
15		V420-000530	2	CUSHION			
20		178090-37930	1	LOCKOUT, T. CONTROL			
22		178043-19830	1	SPRING, THR. RETURN			
23		C450-000042	1	TRIGGER, THROTTLE			
24		900342-50025	1	PIN, SPRING 5*25	5*25		
25		351111-19830	1	GRIP, HANDLE			
26		351103-32433	1	HANDLE, REAR			
10	+	351155-35430	1	COVER, HANDLE (BL)			
80	+	131300-56430	1	VALVE, CHECK			
81	+	131328-40630	1	COVER, VENT			
82	+	130111-00530	1	CLIP	5.5		
83	+	131312-32430	1	PIPE, VENT			
27		V162-000040	1	PLUG			
30		131004-37631	1	CAP ASSY, FUEL TANK			

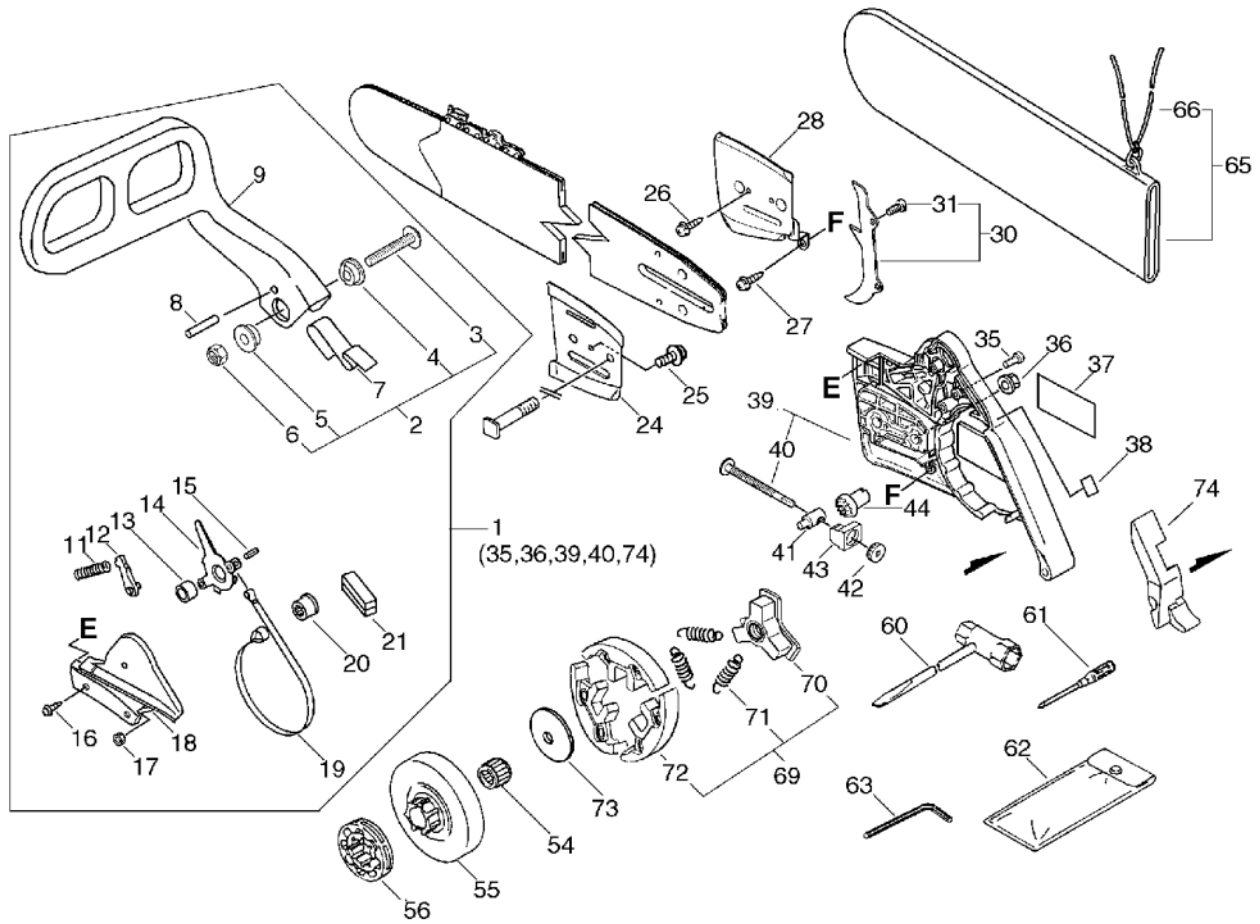


## 8. Handle(Sr/Nr 36001101 and after)



KEY	LV	PART NUMBER	Q'TY	DESCRIPTION	REMARKS	NOTE1	NOTE2
31	+	900720-20029	1	O-RING 29	P-29		
32	+	131050-19830	1	RETAINER, LINK			
33	+	900246-03008	1	SCREW 3*8	3*8		
34	+	131051-19830	1	LINK	60L		
38		V450-000150	2	SPRING, COMPRESSION			
39		V150-000750	1	PLATE, EYE			
40		900162-04008	1	BOLT, H.S. 4*8	4*8 W, SW		
41		V203-000050	1	BOLT, 5			
42		900162-05014	2	BOLT, H.S. 5*14	5*14 W, SW		
45		V419-000010	1	BRACKET, CUSHION			
46		V353-000120	1	COLLAR, 5			
47		900630-00005	1	WASHER 5	5(ト)5.5*16*1T		
48		900105-05035	1	BOLT, H.S. 5*35	5*35		
49		900105-05008	1	BOLT, H.S. 5*8	5*8		
50		900162-05014	4	BOLT, H.S. 5*14	5*14 W, SW		
52		V649-000010	1	RIVET			
53		900238-05020	5	SCREW 5*20	5*20		
54		351616-38130	1	BRACKET, HANDLE			
55		V401-000050	1	CUSHION, 5			
56		C400-000100	1	HANDLE, FRONT			
60		890157-39130	1	LABEL, SWITCH			

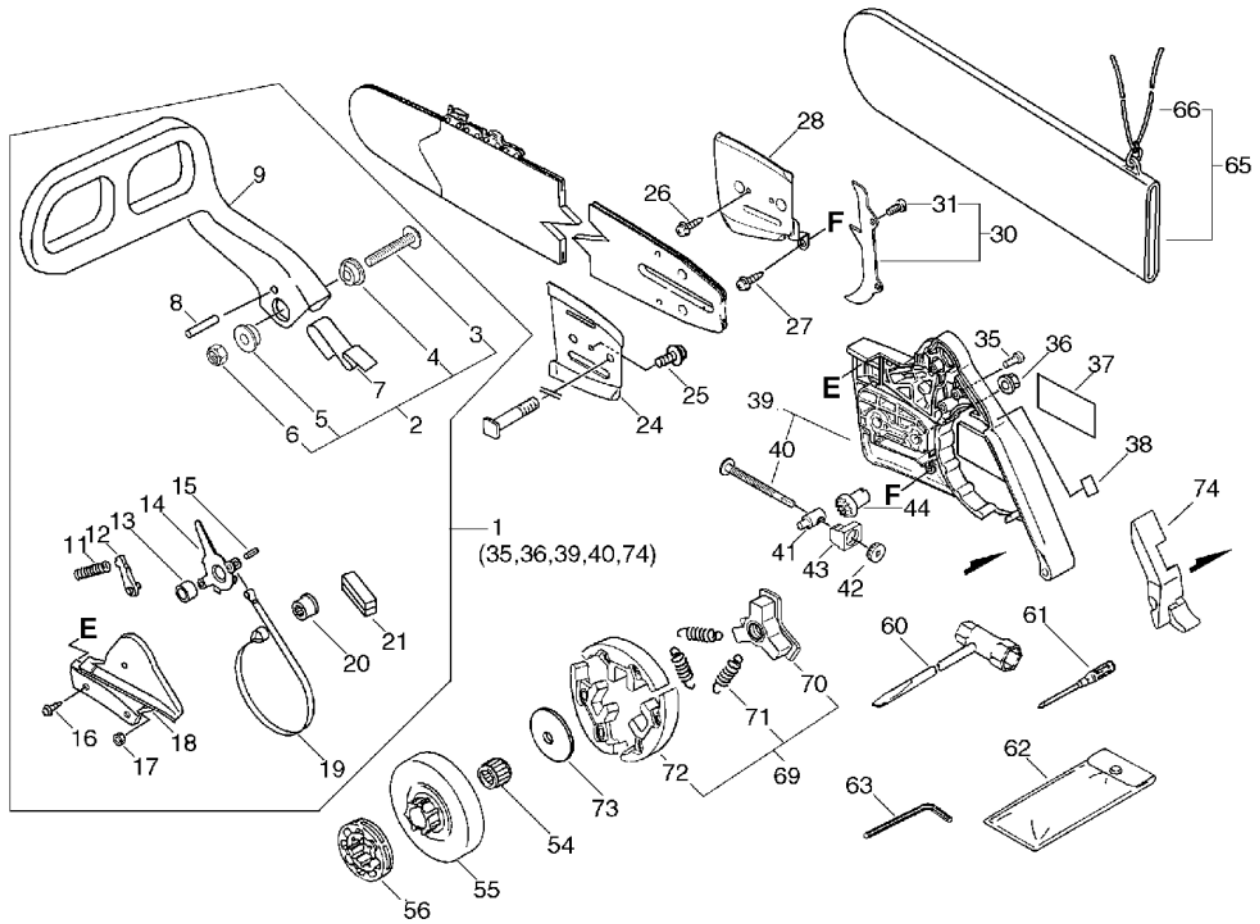
9. Chain Brake Asy, Clutch, Sprocket, Tools(Sr/Nr 36001100 and b



KEY	LV	PART NUMBER	Q'TY	DESCRIPTION	REMARKS	NOTE1	NOTE2
1		P021-010641	1	BRAKE,ASM CHAIN			
2	+	433113-37539	1	SCREW KIT			
3	++	900209-05035	1	SCREW	5*35		
4	++	433167-39730	1	COLLAR 5			
5	++	433167-39130	1	SPACER			
6	++	900562-50005	1	LOCKNUT 5	5		
7	+	433114-38131	1	SPRING			
8	+	900330-35260	1	PIN 3.5*26	3.5*26		
9	+	433105-38131	1	LEVER, BRAKE			
11	+	433122-38130	1	SPRING, BRAKE			
12	+	433209-35430	1	STOPPER, BRAKE			
13	+	433116-35430	1	SPACER 8	8*12*9		
14	+	433208-35431	1	LEVER, BRAKE			
15	+	900330-40088	1	ROLLER 4*8.8	4*8.8		
16	+	900252-04012	2	SCREW 4*12	4*12		
17	+	900500-00003	1	NUT 3	3		
18	+	433310-38130	1	COVER, BRAKE			
19	+	433123-38131	1	BAND, BRAKE			
20	+	433142-35430	1	ADJUSTER, BRAKE			
21	+	433312-32630	1	COVER, SEAL			
35	+	900220-03018	1	SCREW (+SR 3*18)	3*18		
36	+	433019-12330	2	NUT, FLANGE 8	M-8		
39	+	P021-002285	1	SPROCKET GUARD			
40	++	V203-000110	1	BOLT,5			
24		433013-30830	1	PLATE, GUIDE (INNER)			
25		900241-04008	1	SCREW 4*8	4*8		

efore)

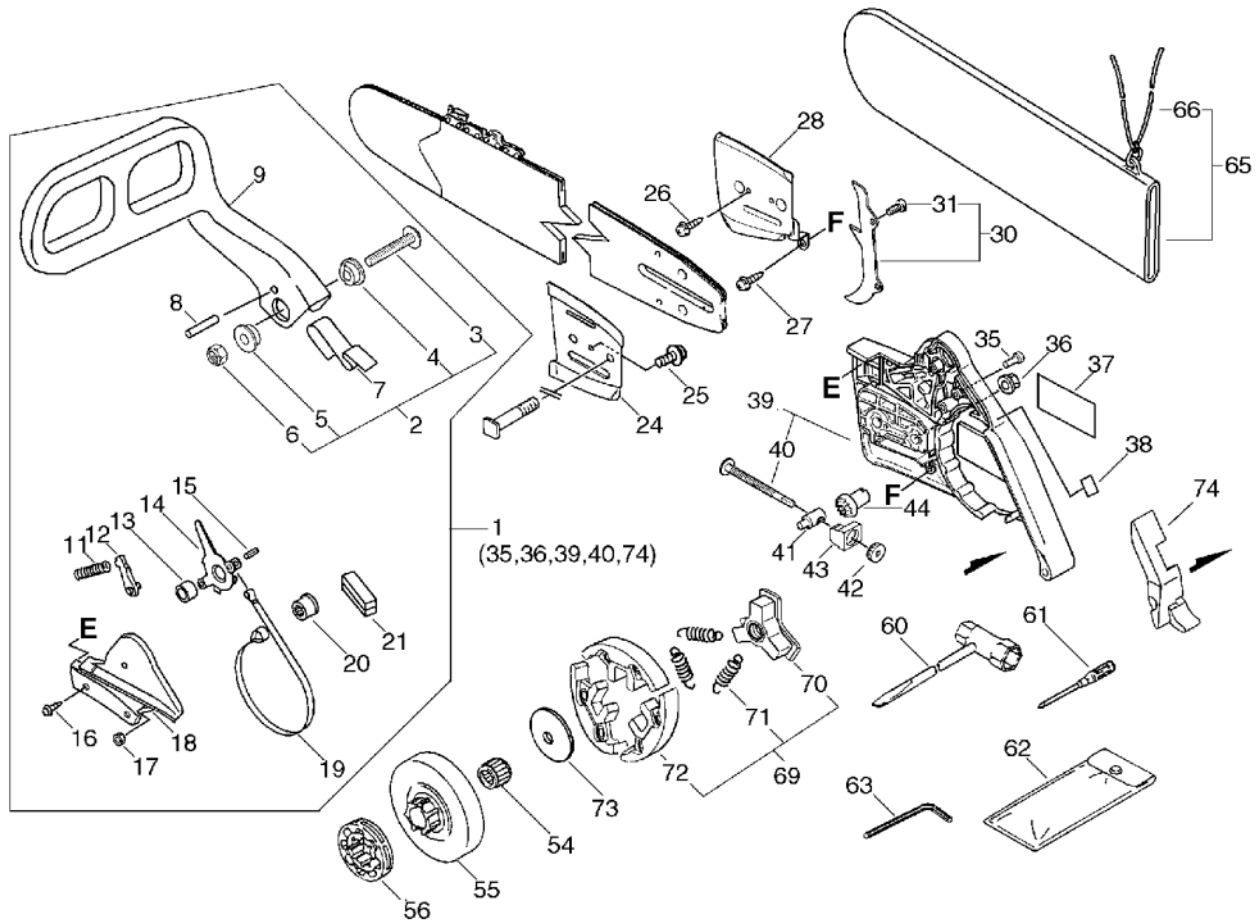
9. Chain Brake Asy, Clutch, Sprocket, Tools(Sr/Nr 36001100 and b



KEY	LV	PART NUMBER	Q'TY	DESCRIPTION	REMARKS	NOTE1	NOTE2
26		900241-03006	2	SCREW 3*6	3*6		
27		900253-04010	1	SCREW 4*10	4*10		
28		C305-000040	1	PLATE, SPROCKET GUARD			
30		P021-002880	1	BUMPER, SPIKED			
31	+	900105-05012	2	BOLT, H.S. 5*12	5*12		
37		X502-000560	1	LABEL, ECHO			
38		890155-30130	1	LABEL, CAUTION			
41		C309-000030	1	TENSIONER, CHAIN			
42		V651-000011	1	GEAR, BEVEL			
43		V355-000270	1	COLLAR, 8			
44		V651-000001	1	GEAR, BEVEL			
54		175012-32430	1	BEARING, NEEDLE	12*18*12		
55		175105-32431	1	DRUM, CLUTCH			
56		175033-14731	1	SPROCKET, RIM 68210S			
60		895410-02830	1	WRENCH, W/S. DRIVER			
61		895812-03930	1	DRIVER, SCREW 50			
62		898510-07130	1	BAG, TOOL			
63		895610-00130	1	L-WRENCH (4MM)			
65		898548-14531	1	SCABBARD, CHAIN			
66	+	898568-14530	1	ROPE	5*900		
69		A056-000050	1	CLUTCH			
70	+	A552-000040	1	HUB, CLUTCH			
71	+	V451-000430	3	SPRING, TENSION			
72	+	P021-007790	1	SHOE, CLUTCH			
73		A551-000051	1	PLATE, CLUTCH			

efore)

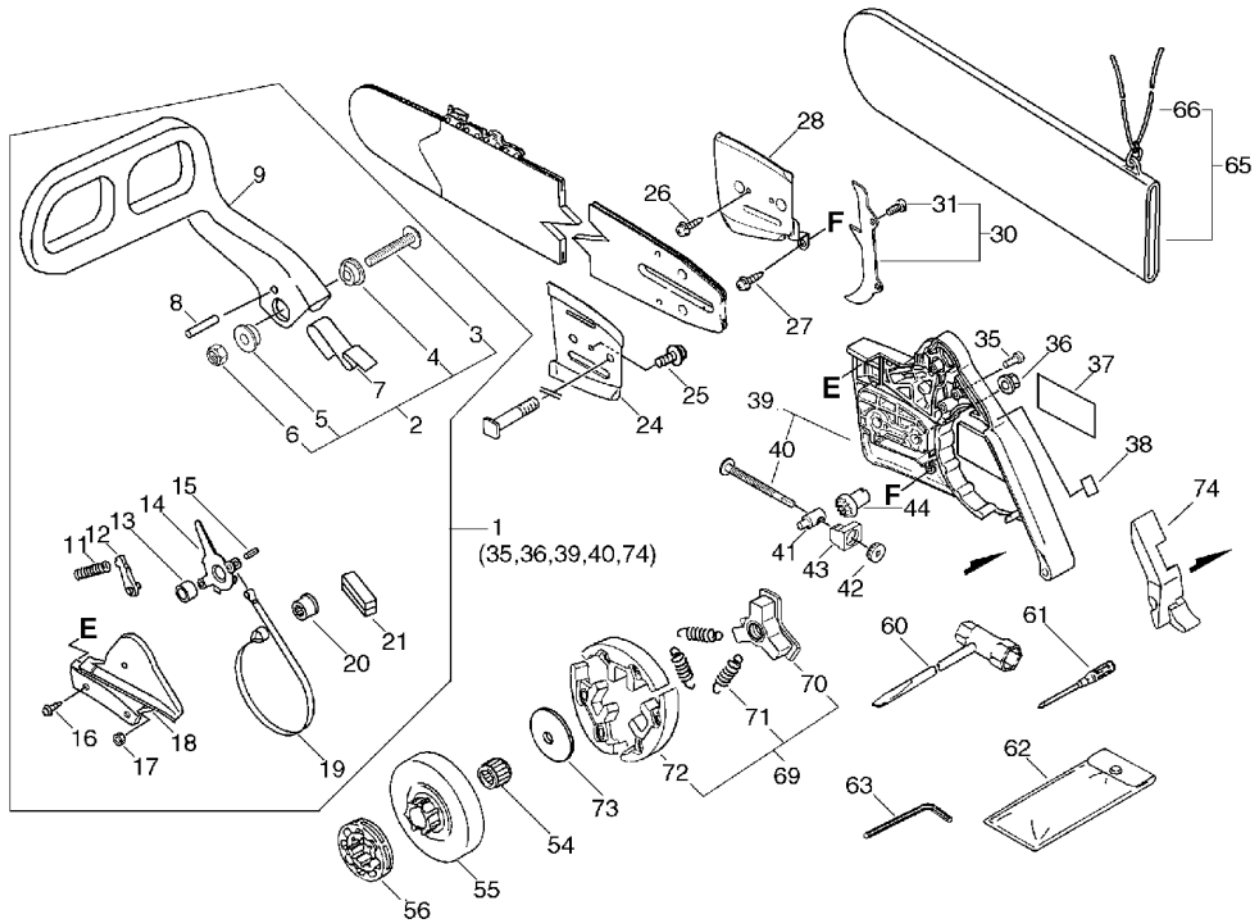
10. Chain Brake Assy, Clutch, Sprocket, Tools(Sr/Nr 36001101 and )



KEY	LV	PART NUMBER	Q'TY	DESCRIPTION	REMARKS	NOTE1	NOTE2
1		P021-010641	1	BRAKE,ASM CHAIN		Sus. by P021-010642	
1		P021-010642	1	BRAKE,ASM CHAIN			
2	+	433113-37539	1	SCREW KIT			
3	++	900209-05035	1	SCREW	5*35		
4	++	433167-39730	1	COLLAR 5			
5	++	433167-39130	1	SPACER			
6	++	900562-50005	1	LOCKNUT 5	5		
7	+	433114-38131	1	SPRING			
8	+	900330-35260	1	PIN 3.5*26	3.5*26		
9	+	433105-38131	1	LEVER, BRAKE			
11	+	433122-38130	1	SPRING, BRAKE			
12	+	433209-35430	1	STOPPER, BRAKE			
13	+	433116-35430	1	SPACER 8	8*12*9		
14	+	433208-35431	1	LEVER, BRAKE			
15	+	900330-40088	1	ROLLER 4*8.8	4*8.8		
16	+	900252-04012	2	SCREW 4*12	4*12		
17	+	900500-00003	1	NUT 3	3		
18	+	433310-38130	1	COVER, BRAKE			
19	+	433123-38131	1	BAND, BRAKE			
20	+	433142-35430	1	ADJUSTER, BRAKE			
21	+	433312-32630	1	COVER, SEAL			
35	+	900220-03018	1	SCREW (+SR 3*18)	3*18		
36	+	433019-12330	2	NUT, FLANGE 8	M-8		
39	+	P021-002285	1	SPROCKET GUARD		Sus. by P021-002286	

after)

10. Chain Brake Assy, Clutch, Sprocket, Tools(Sr/Nr 36001101 and )

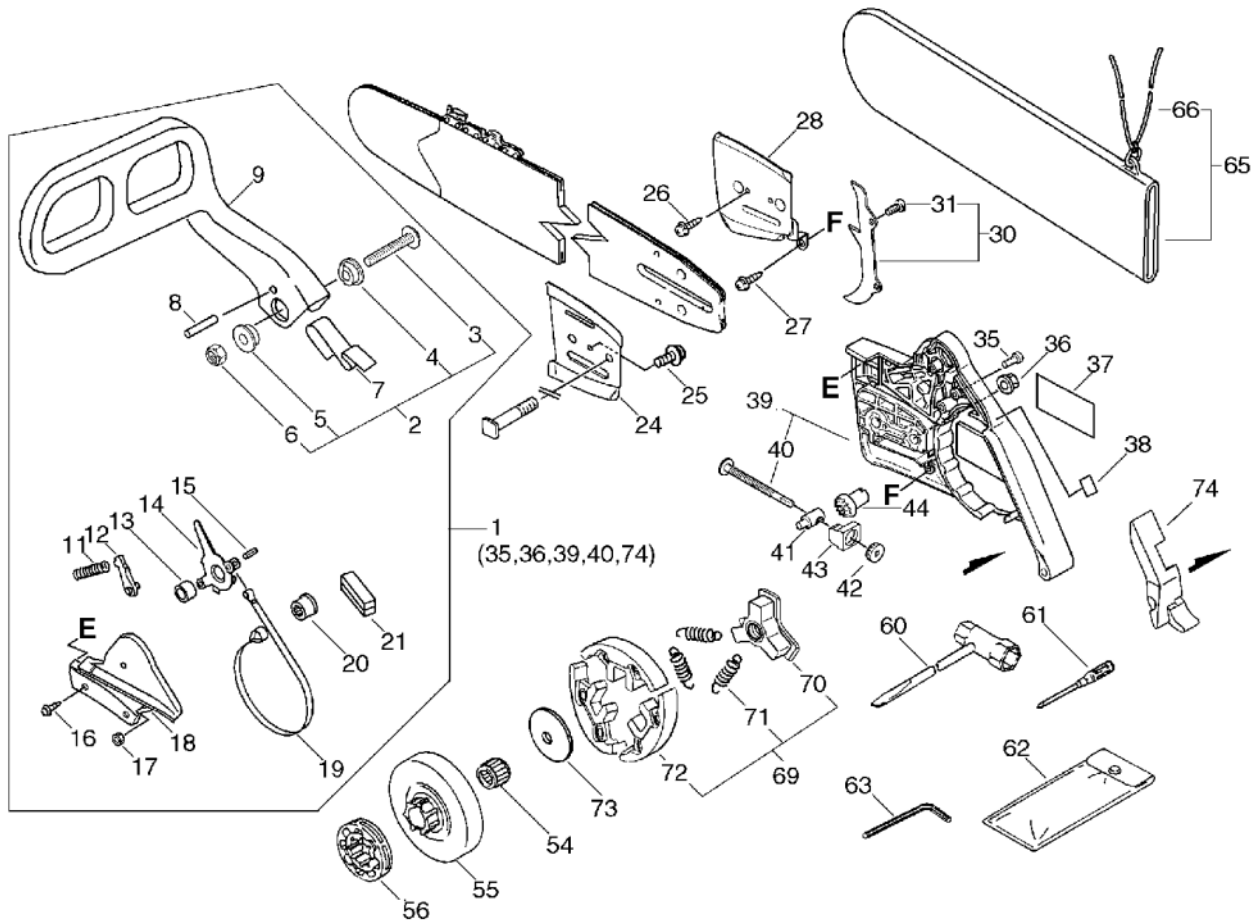


KEY	LV	PART NUMBER	Q'TY	DESCRIPTION	REMARKS	NOTE1	NOTE2
39	+	P021-002286	1	SPROCKET GUARD			
40	++	V203-000110	1	BOLT,5			
74	+	C302-000000	1	PAD, GUARD		Sr/Nr 36001101 and after	
24		433013-30830	1	PLATE, GUIDE (INNER)			
25		900241-04008	1	SCREW 4*8	4*8		
26		900241-03006	2	SCREW 3*6	3*6		
27		900253-04010	1	SCREW 4*10	4*10		
28		C305-000040	1	PLATE, SPROCKET GUARD			
30		P021-002880	1	BUMPER, SPIKED			
31	+	900105-05012	2	BOLT, H.S. 5*12	5*12		
37		X502-000560	1	LABEL, ECHO			
38		890155-30130	1	LABEL, CAUTION			
41		C309-000030	1	TENSIONER, CHAIN			
42		V651-000011	1	GEAR, BEVEL			
43		V355-000270	1	COLLAR, 8			
44		V651-000001	1	GEAR, BEVEL			
54		175012-32430	1	BEARING, NEEDLE	12*18*12		
55		175105-32431	1	DRUM, CLUTCH			
56		175033-14731	1	SPROCKET, RIM 68210S			
60		895410-02830	1	WRENCH, W/S. DRIVER		Sus. by X602- 000080	
60		X602-000080	1	TOOL, WRENCH	13*19 L180		
61		895812-03930	1	DRIVER, SCREW 50			
62		898510-07130	1	BAG, TOOL			
63		895610-00130	1	L-WRENCH (4MM)			



after)

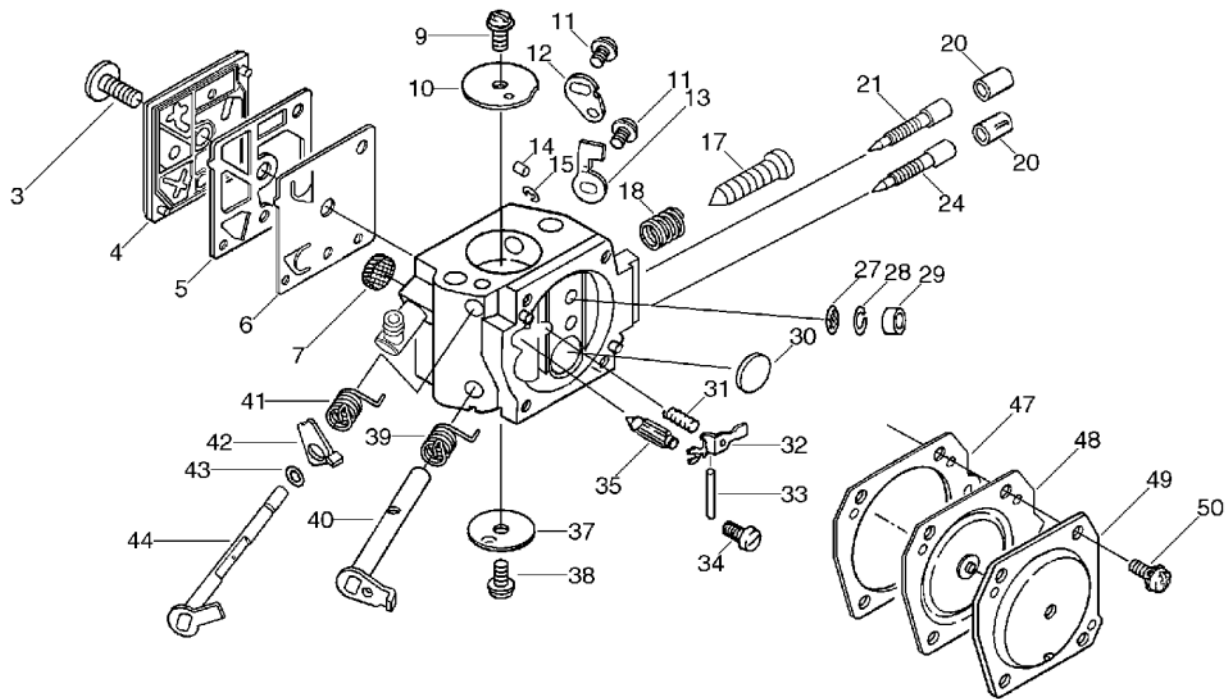
10. Chain Brake Asy, Clutch, Sprocket, Tools(Sr/Nr 36001101 and )



KEY	LV	PART NUMBER	Q'TY	DESCRIPTION	REMARKS	NOTE1	NOTE2
65		898548-14531	1	SCABBARD, CHAIN			
66	+	898568-14530	1	ROPE	5*900		
69		A056-000050	1	CLUTCH			
70	+	A552-000040	1	HUB,CLUTCH			
71	+	V451-000430	3	SPRING,TENSION			
72	+	P021-007790	1	SHOE,CLUTCH			
73		A551-000051	1	PLATE,CLUTCH			

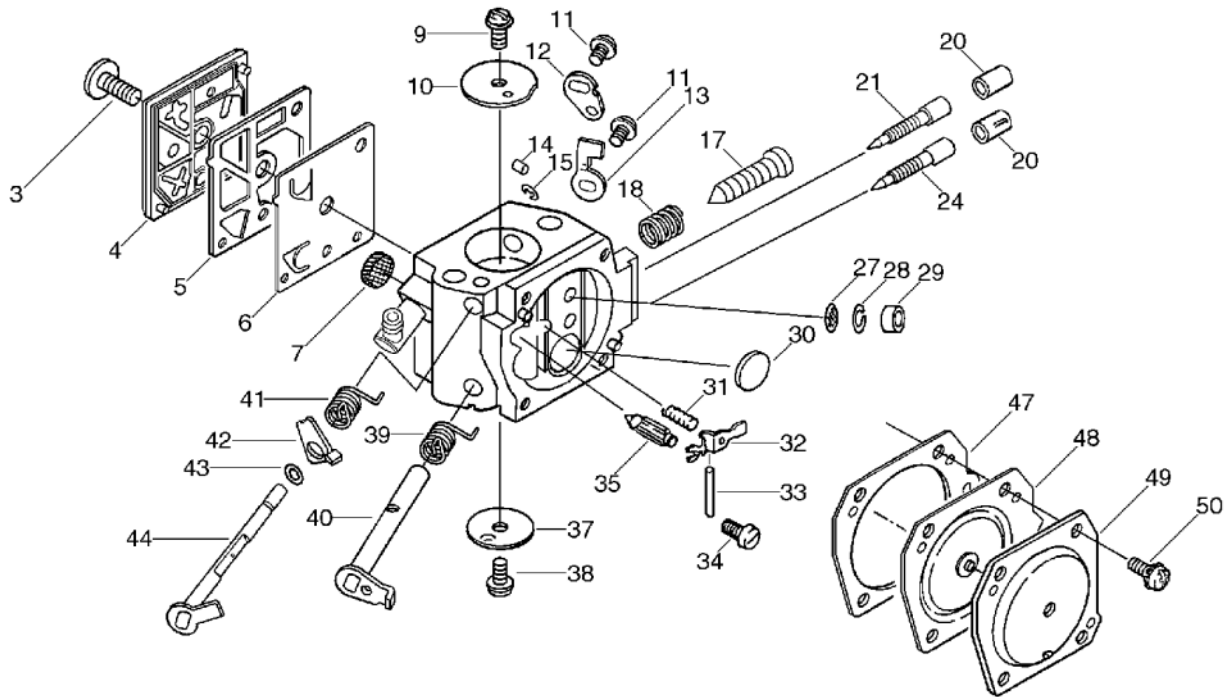
after)

## 11. Carburettor



KEY	LV	PART NUMBER	Q'TY	DESCRIPTION	REMARKS	NOTE1	NOTE2
		A021-000290	1	CARBURETOR,DIAPHRAGM	HDA-203		
3	+	123110-16130	1	SCREW, PUMP COVER			
4	+	123124-19830	1	COVER, FUEL PUMP			
5	+	123125-12330	1	GASKET, FUEL PUMP			
6	+	123112-12330	1	DIAPHRAGM, FUEL PUMP			
7	+	123126-10631	1	SCREEN, INLET			
9	+	123114-38830	1	SCREW			
10	+	123132-32430	1	VALVE, CHOKE			
11	+	123114-38830	2	SCREW			
12	+	P003-000590	1	LEVER, CHOKE			
13	+	123156-30830	1	STOP, THROTTLE			
14	+	123178-15030	1	PLUG, FRICTION			
15	+	123127-15030	1	RING			
17	+	123134-19730	1	SCREW, IDLE ADJUST			
18	+	P003-000540	1	SPRING, IDLE ADJUST			
20	+	P003-000010	2	LIMITER CAP			
21	+	123120-32631	1	NEEDLE, HIGH SPEED			
24	+	123118-02261	1	NEEDLE			
27	+	123168-10631	1	SCREEN			
28	+	123169-10630	1	RING, RETAINING			
29	+	123146-17330	1	PLUG, CUP			
30	+	123146-10631	1	PLUG, WELCH			
31	+	123122-32630	1	SPRING, METER. LEVER			
32	+	123123-18330	1	LEVER, METERING			
33	+	123138-03930	1	PIN, METERING LEVER			
34	+	123139-03930	1	SCREW, M. LEVER PIN			

## 11. Carburettor



KEY	LV	PART NUMBER	Q'TY	DESCRIPTION	REMARKS	NOTE1	NOTE2
35	+	123137-19830	1	VALVE, INLET NEEDLE			
37	+	123132-16130	1	VALVE, CHOKE			
38	+	123114-05260	1	SCREW			
39	+	P003-000560	1	SPRING, THRT. RETURN			
40	+	P003-000550	1	SHAFT, THROTTLE			
41	+	P003-000610	1	SPRING			
42	+	P003-000620	1	LEVER-FAST IDLE			
43	+	123149-26030	1	WASHER			
44	+	P003-000600	1	SHAFT, CHOKE			
47	+	123140-18331	1	GASKET, M. DIAPHRAGM			
48	+	123141-16131	1	DIAPHRAGM, METERING			
49	+	123142-17330	1	COVER, M. DIAPHRAGM			
50	+	123130-02960	4	SCREW			

**Index**

<b>Patrs Number</b>	<b>Key No.</b>	<b>Patrs Number</b>	<b>Key No.</b>	<b>Patrs Number</b>	<b>Key No.</b>
100011-32431	1 - 11	123149-26030	11 - 43	145813-31730	4 - 50
100011-32431	2 - 11	123156-30830	11 - 13	145861-32430	3 - 54
100012-32430	1 - 14	123168-10631	11 - 27	145861-32430	4 - 54
100012-32430	2 - 14	123169-10630	11 - 28	156601-32632	5 - 38
100142-30830	1 - 33	123178-15030	11 - 14	156611-19830	5 - 37
100142-30830	2 - 33	130110-19830	3 - 18	156635-32430	3 - 32
100143-19830	5 - 7	130110-19830	4 - 18	156635-32430	4 - 32
100204-32435	1 - 20	130111-00530	7 - 82	156800-32631	5 - 5
100204-32435	2 - 20	130111-00530	8 - 82	159010-10230	5 - 34
100212-19830	1 - 27	130338-32430	3 - 7	162021-32430	3 - 33
100212-19830	2 - 27	130338-32430	4 - 7	162021-32430	4 - 33
100212-32430	1 - 21	131004-37631	7 - 30	162021-32431	4 - 33
100212-32430	2 - 21	131004-37631	8 - 30	163400-32430	3 - 29
100215-02830	1 - 23	131050-19830	1 - 44	163400-32430	4 - 29
100215-02830	2 - 23	131050-19830	2 - 44	175012-32430	10 - 54
100242-32430	1 - 25	131050-19830	7 - 32	175012-32430	9 - 54
100242-32430	2 - 25	131050-19830	8 - 32	175033-14731	10 - 56
100918-19830	7 - 12	131051-19830	1 - 46	175033-14731	9 - 56
100918-19830	8 - 12	131051-19830	2 - 46	175105-32431	10 - 55
101010-32431	1 - 7	131051-19830	7 - 34	175105-32431	9 - 55
101010-32431	2 - 7	131051-19830	8 - 34	177215-32330	5 - 23
101521-32330	5 - 6	131205-19830	7 - 9	177218-32631	5 - 12
101578-37531	1 - 50	131205-19830	8 - 9	177220-02834	5 - 30
101578-37531	2 - 50	131205-19831	8 - 9	177221-02830	5 - 31
123110-16130	11 - 3	131300-56430	7 - 80	177221-07060	5 - 25
123112-12330	11 - 6	131300-56430	8 - 80	177226-07060	5 - 24
123114-05260	11 - 38	131312-32430	7 - 83	177227-10630	5 - 27
123114-38830	11 - 9	131312-32430	8 - 83	177228-30830	5 - 26
123114-38830	11 - 11	131328-40630	7 - 81	177234-19832	5 - 9
123118-02261	11 - 24	131328-40630	8 - 81	178043-19830	7 - 22
123120-32631	11 - 21	132010-30830	7 - 8	178043-19830	8 - 22
123122-32630	11 - 31	132010-30830	8 - 8	178090-37930	7 - 20
123123-18330	11 - 32	132010-56030	7 - 5	178090-37930	8 - 20
123124-19830	11 - 4	132010-56030	8 - 5	178114-32630	3 - 27
123125-12330	11 - 5	132011-19831	7 - 6	178114-32630	4 - 27
123126-10631	11 - 7	132011-19831	8 - 6	178810-33331	3 - 26
123127-15030	11 - 15	132013-26630	6 - 8	178810-33331	4 - 26
123130-02960	11 - 50	132013-26630	7 - 4	351103-32433	7 - 26
123132-16130	11 - 37	132013-26630	8 - 4	351103-32433	8 - 26
123132-32430	11 - 10	132115-01461	7 - 7	351111-19830	7 - 25
123134-19730	11 - 17	132115-01461	8 - 7	351111-19830	8 - 25
123137-19830	11 - 35	132115-12330	6 - 9	351155-35430	7 - 10
123138-03930	11 - 33	145510-32431	3 - 45	351155-35430	8 - 10
123139-03930	11 - 34	145510-32431	4 - 45	351616-38130	7 - 54
123140-18331	11 - 47	145610-32430	3 - 46	351616-38130	8 - 54
123141-16131	11 - 48	145610-32430	4 - 46	433000-19831	1 - 17
123142-17330	11 - 49	145711-32430	3 - 49	433000-19831	2 - 17
123146-10631	11 - 30	145711-32430	4 - 49	433011-19830	1 - 24
123146-17330	11 - 29	145813-31730	3 - 50	433011-19830	2 - 24

**Index**

<b>Patrs Number</b>	<b>Key No.</b>	<b>Patrs Number</b>	<b>Key No.</b>	<b>Patrs Number</b>	<b>Key No.</b>
433013-30830	10 - 24	437210-15130	6 - 18	900162-05014	7 - 50
433013-30830	9 - 24	437210-38330	6 - 10	900162-05014	8 - 42
433019-12330	10 - 36	437211-32430	6 - 6	900162-05014	8 - 50
433019-12330	9 - 36	437212-32430	6 - 7	900162-05020	1 - 38
433105-38131	10 - 9	437212-32630	6 - 39	900162-05020	1 - 47
433105-38131	9 - 9	437216-32630	6 - 37	900162-05020	2 - 38
433113-37539	10 - 2	437232-32630	6 - 38	900162-05020	2 - 47
433113-37539	9 - 2	437413-19830	6 - 33	900162-05020	3 - 37
433114-38131	10 - 7	437605-32430	6 - 2	900162-05020	3 - 47
433114-38131	9 - 7	890155-30130	10 - 38	900162-05020	4 - 37
433116-35430	10 - 13	890155-30130	9 - 38	900162-05020	4 - 47
433116-35430	9 - 13	890157-19830	3 - 30	900162-05020	5 - 32
433122-38130	10 - 11	890157-19830	4 - 30	900162-05025	1 - 6
433122-38130	9 - 11	890157-39130	7 - 60	900162-05025	2 - 6
433123-38131	10 - 19	890157-39130	8 - 60	900162-05035	1 - 37
433123-38131	9 - 19	890345-39230	1 - 52	900162-05035	2 - 37
433142-35430	10 - 20	890345-39230	2 - 52	900209-05035	10 - 3
433142-35430	9 - 20	895410-02830	10 - 60	900209-05035	9 - 3
433144-15130	5 - 29	895410-02830	9 - 60	900220-03018	10 - 35
433167-39130	10 - 5	895610-00130	10 - 63	900220-03018	9 - 35
433167-39130	9 - 5	895610-00130	9 - 63	900220-05018	1 - 18
433167-39730	10 - 4	895812-03930	10 - 61	900220-05018	2 - 18
433167-39730	9 - 4	895812-03930	9 - 61	900238-04014	7 - 11
433208-35431	10 - 14	898510-07130	10 - 62	900238-04014	8 - 11
433208-35431	9 - 14	898510-07130	9 - 62	900238-05014	1 - 36
433209-35430	10 - 12	898548-14531	10 - 65	900238-05014	2 - 36
433209-35430	9 - 12	898548-14531	9 - 65	900238-05020	7 - 53
433310-38130	10 - 18	898568-14530	10 - 66	900238-05020	8 - 53
433310-38130	9 - 18	898568-14530	9 - 66	900241-03006	10 - 26
433312-32630	10 - 21	900105-05008	7 - 49	900241-03006	9 - 26
433312-32630	9 - 21	900105-05008	8 - 49	900241-04008	10 - 25
436001-37933	1 - 42	900105-05012	10 - 31	900241-04008	9 - 25
436001-37933	2 - 42	900105-05012	9 - 31	900242-04008	1 - 30
436114-13930	1 - 28	900105-05025	7 - 13	900242-04008	2 - 30
436114-13930	2 - 28	900105-05025	8 - 13	900242-04008	5 - 39
436205-14730	6 - 11	900105-05035	7 - 48	900246-03008	1 - 45
437002-37530	6 - 45	900105-05035	8 - 48	900246-03008	2 - 45
437012-00330	6 - 23	900162-04008	7 - 40	900246-03008	7 - 33
437015-19830	6 - 13	900162-04008	8 - 40	900246-03008	8 - 33
437039-37630	6 - 12	900162-04010	3 - 55	900252-04010	6 - 34
437063-19930	6 - 4	900162-04010	4 - 55	900252-04012	10 - 16
437066-30130	6 - 3	900162-04012	6 - 1	900252-04012	9 - 16
437100-38832	6 - 20	900162-04020	5 - 40	900252-05020	6 - 32
437110-19831	6 - 28	900162-05014	1 - 9	900253-04008	5 - 28
437111-19830	6 - 27	900162-05014	2 - 9	900253-04010	10 - 27
437112-38731	6 - 25	900162-05014	3 - 48	900253-04010	3 - 6
437118-19830	6 - 21	900162-05014	4 - 48	900253-04010	4 - 6
437121-10130	6 - 30	900162-05014	5 - 21	900253-04010	9 - 27
437122-03430	6 - 22	900162-05014	7 - 42	900330-30120	3 - 10

**Index**

<b>Patrs Number</b>	<b>Key No.</b>	<b>Patrs Number</b>	<b>Key No.</b>	<b>Patrs Number</b>	<b>Key No.</b>
900330-30120	4 - 10	A172-000130	5 - 16	P021-002800	4 - 38
900330-35260	10 - 8	A202-000010	1 - 8	P021-002880	10 - 30
900330-35260	9 - 8	A202-000010	2 - 8	P021-002880	9 - 30
900330-40088	10 - 15	A202-000011	2 - 8	P021-002901	5 - 20
900330-40088	9 - 15	A204-000020	3 - 13	P021-007790	10 - 72
900342-50025	7 - 24	A204-000020	4 - 13	P021-007790	9 - 72
900342-50025	8 - 24	A220-000012	3 - 35	P021-010641	10 - 1
900345-20016	6 - 29	A220-000012	4 - 35	P021-010641	9 - 1
900345-50010	1 - 22	A226-000070	3 - 12	P021-010642	10 - 1
900345-50010	2 - 22	A226-000070	4 - 12	V131-000010	3 - 19
900500-00003	10 - 17	A232-000070	3 - 3	V131-000010	4 - 19
900500-00003	9 - 17	A232-000070	4 - 3	V150-000570	1 - 29
900500-00008	5 - 8	A235-000050	3 - 8	V150-000570	2 - 29
900562-50005	10 - 6	A235-000050	4 - 8	V150-000750	7 - 39
900562-50005	9 - 6	A238-000030	3 - 11	V150-000750	8 - 39
900600-00005	1 - 19	A238-000030	4 - 11	V162-000040	7 - 27
900600-00005	2 - 19	A241-000030	3 - 25	V162-000040	8 - 27
900603-00005	5 - 13	A241-000030	4 - 25	V203-000050	7 - 41
900603-00005	5 - 22	A426-000010	5 - 35	V203-000050	8 - 41
900603-00005	6 - 31	A427-000013	5 - 36	V203-000110	10 - 40
900630-00005	5 - 10	A551-000051	10 - 73	V203-000110	9 - 40
900630-00005	7 - 47	A551-000051	9 - 73	V203-000150	5 - 14
900630-00005	8 - 47	A552-000040	10 - 70	V341-000010	1 - 48
900700-00003	6 - 14	A552-000040	9 - 70	V341-000010	2 - 48
900720-00003	6 - 15	C302-000000	10 - 74	V353-000110	7 - 14
900720-00007	6 - 26	C305-000040	10 - 28	V353-000110	8 - 14
900720-20029	7 - 31	C305-000040	9 - 28	V353-000120	7 - 46
900720-20029	8 - 31	C309-000030	10 - 41	V353-000120	8 - 46
900725-02025	1 - 43	C309-000030	9 - 41	V353-000191	5 - 11
900725-02025	2 - 43	C400-000100	7 - 56	V355-000270	10 - 43
900810-36202	1 - 26	C400-000100	8 - 56	V355-000270	9 - 43
900810-36202	2 - 26	C450-000042	7 - 23	V401-000050	7 - 55
91107-05050	3 - 14	C450-000042	8 - 23	V401-000050	8 - 55
91107-05050	4 - 14	C454-000060	3 - 28	V401-000060	1 - 35
A011-000250	1 - 32	C454-000060	4 - 28	V401-000060	2 - 35
A011-000250	2 - 32	P003-000010	11 - 20	V419-000010	7 - 45
A014-000010	1 - 4	P003-000540	11 - 18	V419-000010	8 - 45
A014-000010	2 - 4	P003-000550	11 - 40	V420-000320	3 - 39
A021-000290	11 -	P003-000560	11 - 39	V420-000320	4 - 39
A021-000290	3 - 20	P003-000590	11 - 12	V420-000530	7 - 15
A021-000290	4 - 20	P003-000600	11 - 44	V420-000530	8 - 15
A056-000050	10 - 69	P003-000610	11 - 41	V420-000540	3 - 36
A056-000050	9 - 69	P003-000620	11 - 42	V420-000540	4 - 36
A130-000241	1 - 5	P021-002285	10 - 39	V450-000150	7 - 38
A130-000241	2 - 5	P021-002285	9 - 39	V450-000150	8 - 38
A160-000330	1 - 49	P021-002286	10 - 39	V450-000290	6 - 24
A160-000330	2 - 49	P021-002791	1 - 10	V451-000190	3 - 9
A160-000331	2 - 49	P021-002791	2 - 10	V451-000190	4 - 9
A161-000020	5 - 17	P021-002800	3 - 38	V451-000430	10 - 71



**Index**

<b>Patrs Number</b>	<b>Key No.</b>	<b>Patrs Number</b>	<b>Key No.</b>	<b>Patrs Number</b>	<b>Key No.</b>
V451-000430	9 - 71				
V453-000040	3 - 5				
V453-000040	4 - 5				
V580-000000	1 - 13				
V580-000000	2 - 13				
V610-000000	1 - 12				
V610-000000	2 - 12				
V649-000010	7 - 52				
V649-000010	8 - 52				
V651-000001	10 - 44				
V651-000001	9 - 44				
V651-000011	10 - 42				
V651-000011	9 - 42				
X502-000460	5 - 33				
X502-000560	10 - 37				
X502-000560	9 - 37				
X503-009180	3 - 2				
X503-009180	4 - 2				
X505-000000	1 - 51				
X505-000000	2 - 51				
X505-000180	1 - 53				
X505-000180	2 - 53				
X602-000080	10 - 60				

# YAMABIKO CORPORATION

7-2 SUEHIROCHO 1-CHOME, OHME, TOKYO 198-8760, JAPAN  
PHONE: 81-428-32-6118. FAX: 81-428-32-6145.

