

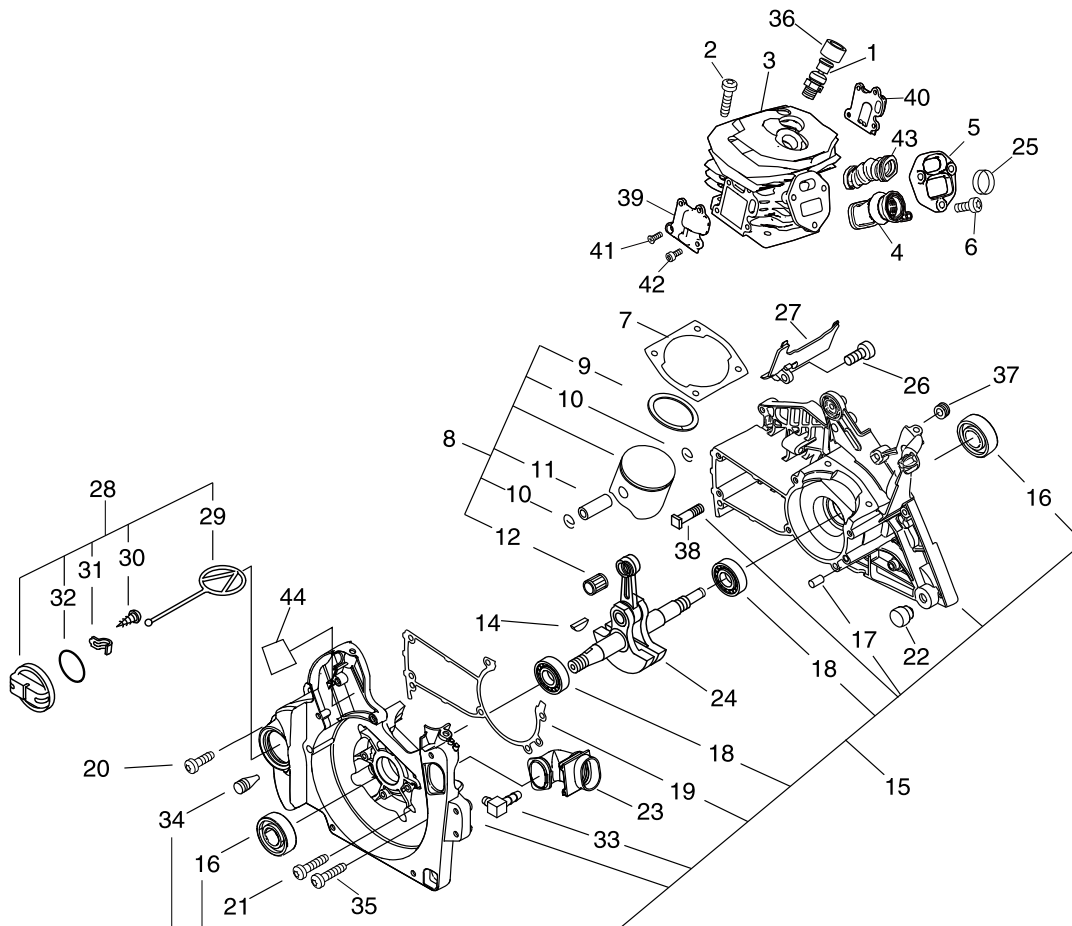


PARTS CATALOGUE

CHAIN SAW CS-550(37)(.325)

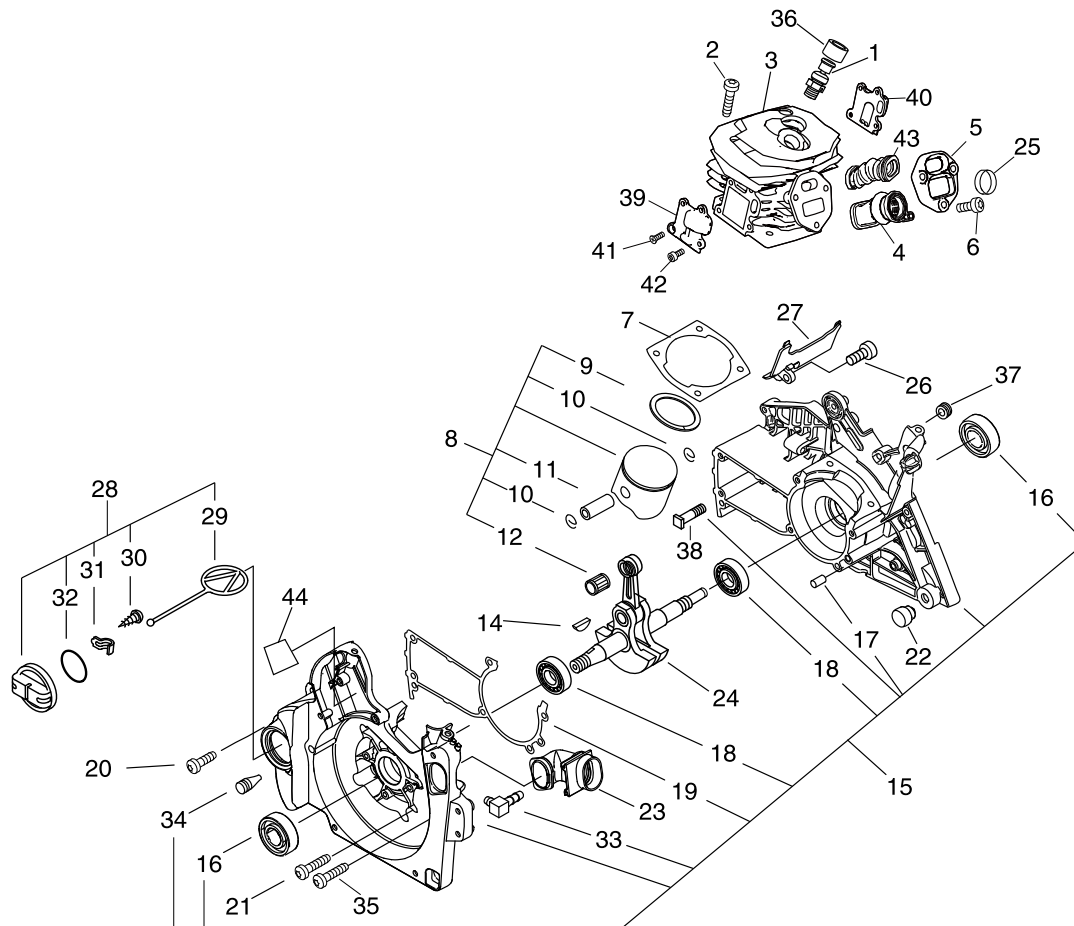
37000001 -

1. CYLINDER, CRANKCASE, PISTON



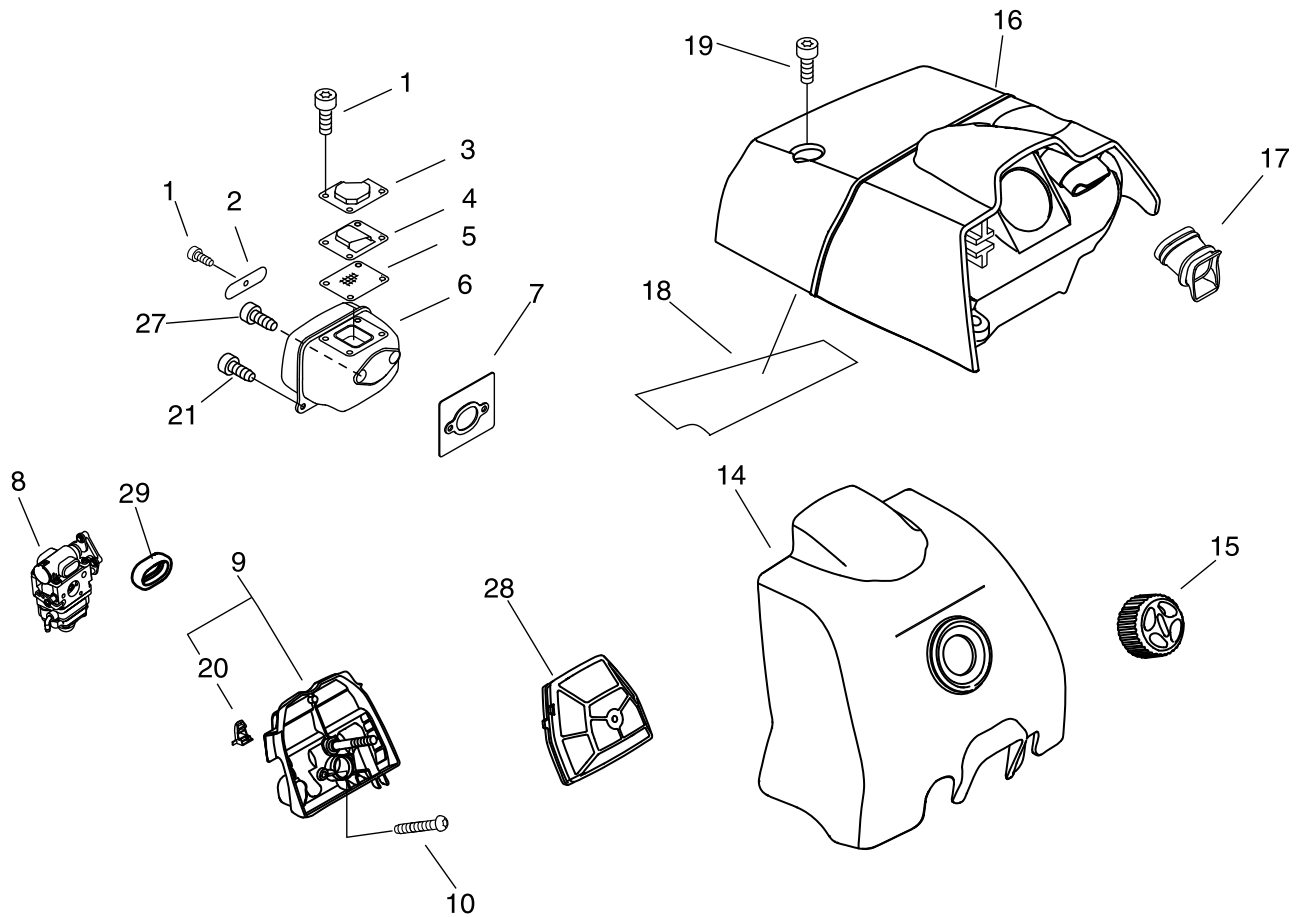
KEY	LV	PART NUMBER	Q'TY	DESCRIPTION	REMARKS	NOTE1	NOTE2
1		A014-000040	1	DECOMP,ASM			
2		V805-000220	4	BOLT, TORX 5	TB-5*25 12.9		
3		A130-001740	1	CYLINDER			
4		A202-000220	1	BELLOWS, INTAKE			
5		A206-000021	1	HOLDER, BELLOWS			
6		V805-000000	3	BOLT, TORX 5	TT-5*16 DG 10.9		
7		V100-000630	1	GASKET,CYL			
8		P021-036680	1	PISTON KIT			
9	+	A101-000590	1	RING, PISTON	45*1.2*1.9 HK/BF		
10	+	100015-32330	2	CIRCLIP, PISTON PIN			
11	+	V609-000000	1	PIN,ENG 11			
12	+	V556-000000	1	BEARING,NEEDLE 11	KBK11*15*15.8X2		
14		100142-30830	1	KEY, WOODRUFF			
15		P021-036690	1	CRANKCASE KIT			
16	+	V508-000010	2	SEAL,OIL 15	ISCD 15*25*7		
17	+	100215-02830	2	PIN, DOWEL			
18	+	94036-46202	2	BEARING BALL			
19	+	V102-000210	1	GASKET,CRANKCASE			
33	+	437239-14730	1	NIPPLE			
34	+	436114-13930	1	VALVE, CHECK			
38	+	V205-000400	2	BOLT,8	11.5		
20		V805-000010	2	BOLT, TORX 5	TT-5*20 DG 10.9		

1. CYLINDER, CRANKCASE, PISTON



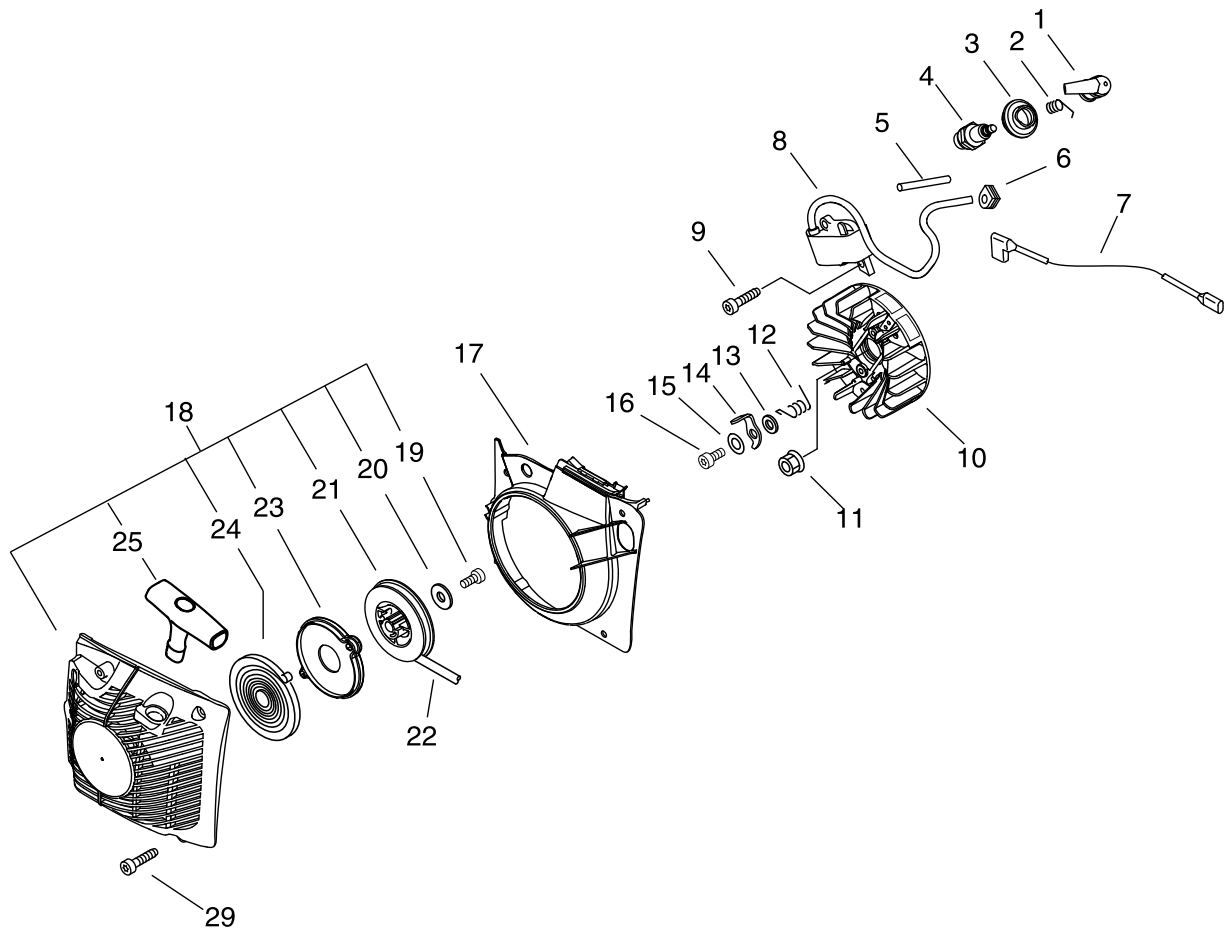
KEY	LV	PART NUMBER	Q'TY	DESCRIPTION	REMARKS	NOTE1	NOTE2
21		V805-000020	4	BOLT, TORX 5	TT-5*35 DG 10.9		
22		V420-003800	2	CUSHION			
23		A239-000060	1	PIPE, INTAKE			
24		A011-001100	1	CRANKSHAFT,ASY			
25		V359-000060	1	COLLAR,16			
26		V805-000000	1	BOLT, TORX 5	TT-5*16 DG 10.9		
27		E106-000150	1	GUIDE,AIR			
28		P021-016030	1	CAP, OIL			
29	+	131051-19830	1	LINK	60L		
30	+	900246-03008	1	SCREW 3*8	3*8		
31	+	131050-19830	1	RETAINER, LINK			
32	+	900720-00028	1	O-RING 28	P-28		
35		V805-000170	1	BOLT, TORX 5	TB-5*25 10.9		
36		V141-000090	1	GROMMET,PLUG			
37		132115-01461	1	GROMMET			
39		P021-036670	1	FIXTURE,VALVE KIT M			
40		P021-036660	1	FIXTURE,VALVE KIT D			
41		900212-04014	2	SCREW 4*14	+SF4*14		
42		V804-000050	6	BOLT, TORX 4	TB-4*12 10.9		
43		A202-000210	1	BELLOWS, INTAKE			
44		V376-001780	1	SPACER			

2. AIR CLEANER, CARBURETOR



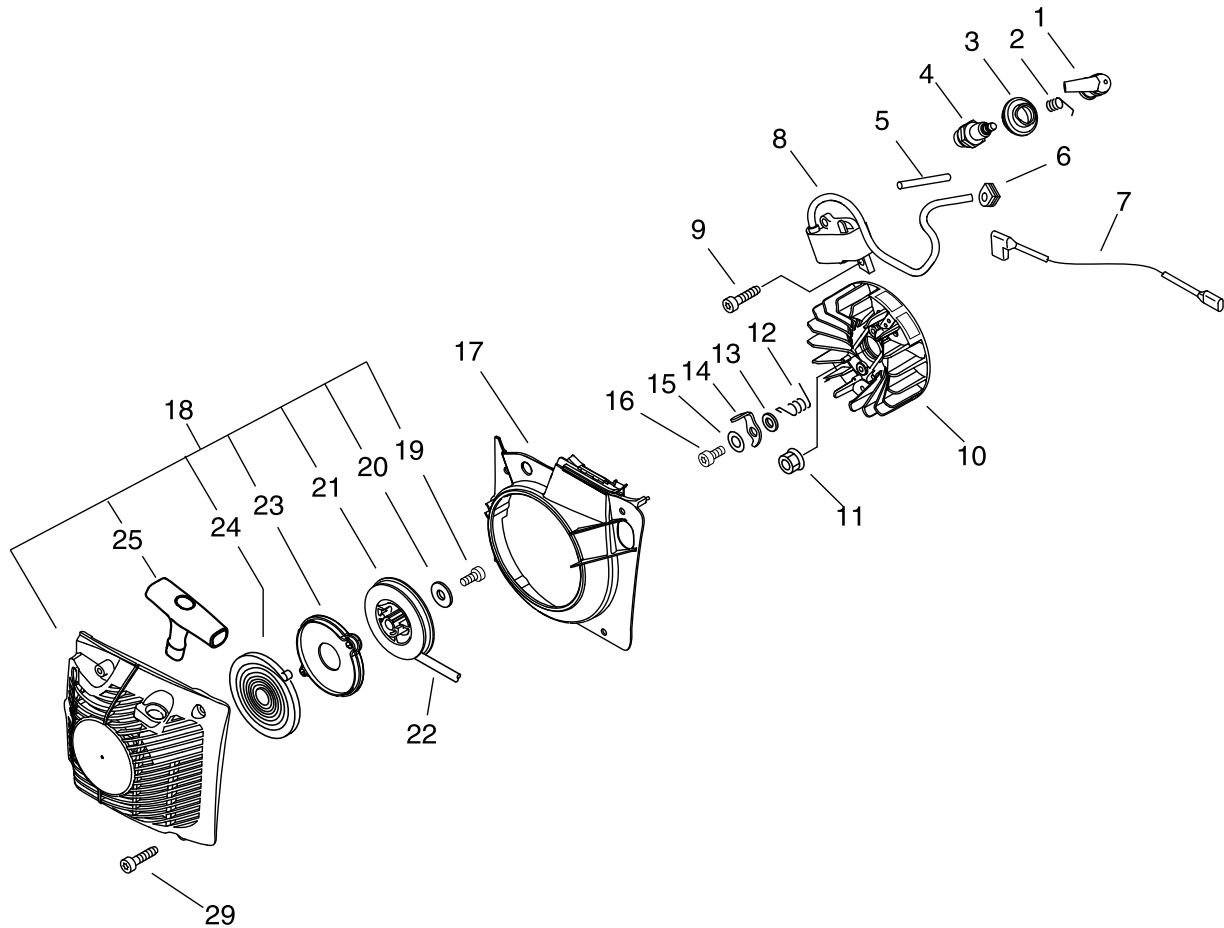
KEY	LV	PART NUMBER	Q'TY	DESCRIPTION	REMARKS	NOTE1	NOTE2
1		V804-000030	5	BOLT, TORX 4	TB-4*8 10.9		
2		A301-000030	1	PLATE, MUFFLER	T0.5		
3		A313-001670	1	GUIDE, EXHAUST			
4		A313-001041	1	GUIDE, EXHAUST			
5		A310-000090	1	SCREEN, ARRESTOR			
6		A300-001560	1	MUFFLER, EXHAUST			
7		V104-001770	1	GASKET, EXHAUST			
8		A021-003360	1	CARBURETOR, DIAPHRAGM	WLA-4		
9		P021-036890	1	CASE, CLEANER			
20	+	A219-000060	1	SHUTTER, AIR			
10		V805-000030	2	BOLT, TORX 5	TT-5*50 DG 10.9		
14		A232-001400	1	LID, CLEANER			
15		A235-000200	1	KNOB, CLEANER LID			
16		A160-002310	1	COVER, CYLINDER			
17		A239-000070	1	PIPE, INTAKE			
18		V341-000140	1	WASHER, SQUARE	75*32*0.15		
19		V805-000000	3	BOLT, TORX 5	TT-5*16 DG 10.9		
21		V855-000000	2	BOLT, TORX 5	TB-5*20		
27		V805-000210	2	BOLT, TORX 5	TB-5*20 12.9		
28		A226-001610	1	ELEMENT, AIR FILTER			
29		V142-000070	1	GROMMET, DUST			

3. MAGNETO, STARTER



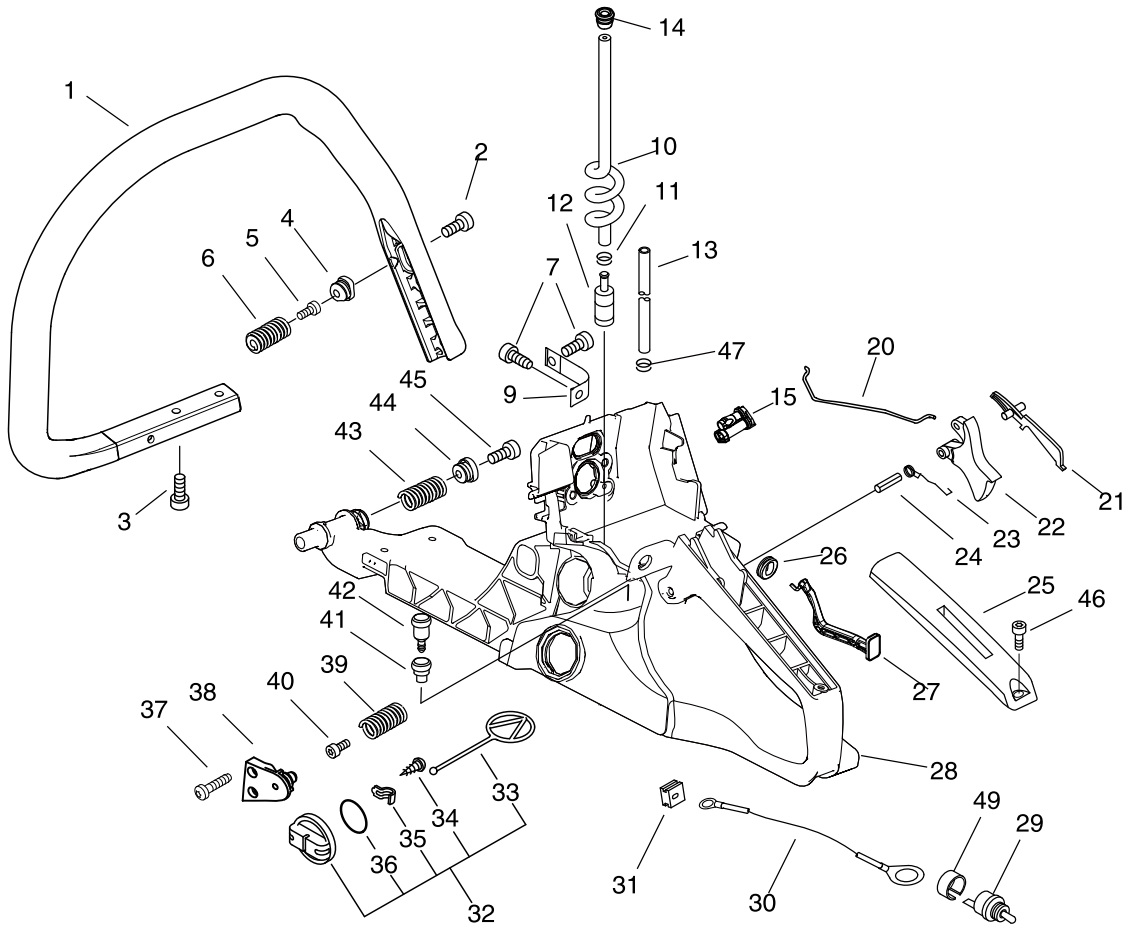
KEY	LV	PART NUMBER	Q'TY	DESCRIPTION	REMARKS	NOTE1	NOTE2
1		A427-000013	1	CAP, SPARK PLUG			
2		A426-000010	1	TERMINAL, SPARK PLUG			
3		A429-000040	1	COVER, CAP			
4		A425-000000	1	SPARK PLUG	BPMR8Y		
5		V475-006660	1	TUBE	6*7.2*65		
6		156110-04920	1	BUSHING			
7		V485-001091	1	LEAD	AVX0.75F		
8		A411-001190	1	COIL, IGNITION			
9		V805-000000	2	BOLT, TORX 5	TT-5*16 DG 10.9		
10		A409-000360	1	ROTOR, MAGNETO			
11		900515-00008	1	NUT, FLANGE 8	8		
12		177234-35430	2	SPRING, RETURN			
13		177247-04630	2	SPACER, RATCHET	5.2*8*2.1		
14		177218-19830	2	PAWL, STARTER			
15		900603-00005	2	WASHER 5	5.5*12*0.8		
16		V835-000000	2	BOLT, TORX 5			
17		A172-000842	1	COVER, FAN			
18		P021-015163	1	STARTER ASY			
19	+	V805-000130	1	BOLT, TORX 5	TB-5*10 10.9		
20	+	177214-02830	1	WASHER	5.2*16*1.0T		
21	+	A506-000110	1	REEL, ROPE			
22	+	177226-07060	1	ROPE, STARTER	4.0*950		
23	+	A503-000030	1	PLATE, STARTER			
24	+	177220-35430	1	SPRING, REWIND			
25	+	A511-000071	1	GRIP, STARTER			

3. MAGNETO, STARTER



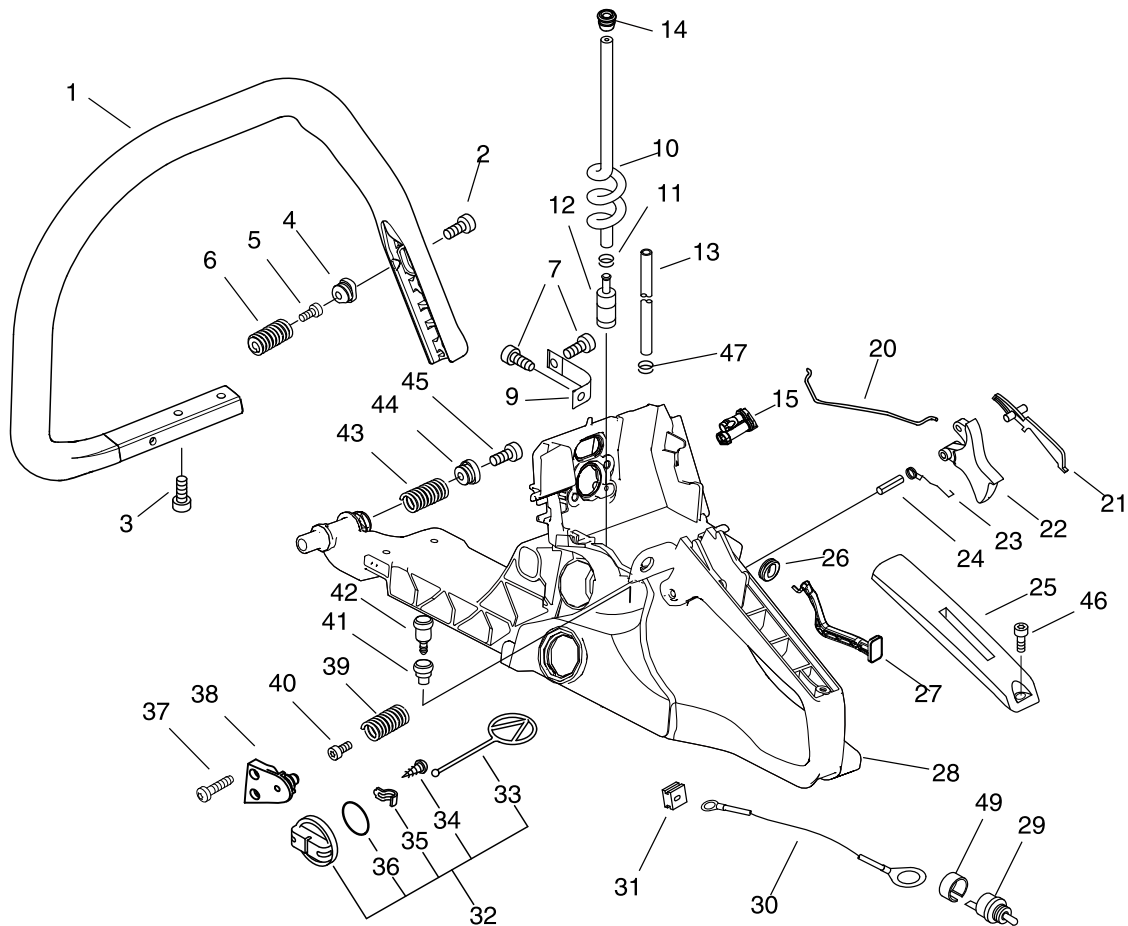
KEY	LV	PART NUMBER	Q'TY	DESCRIPTION	REMARKS	NOTE1	NOTE2
29		V805-000010	4	BOLT, TORX 5	TT-5*20 DG 10.9		

4. HANDLE



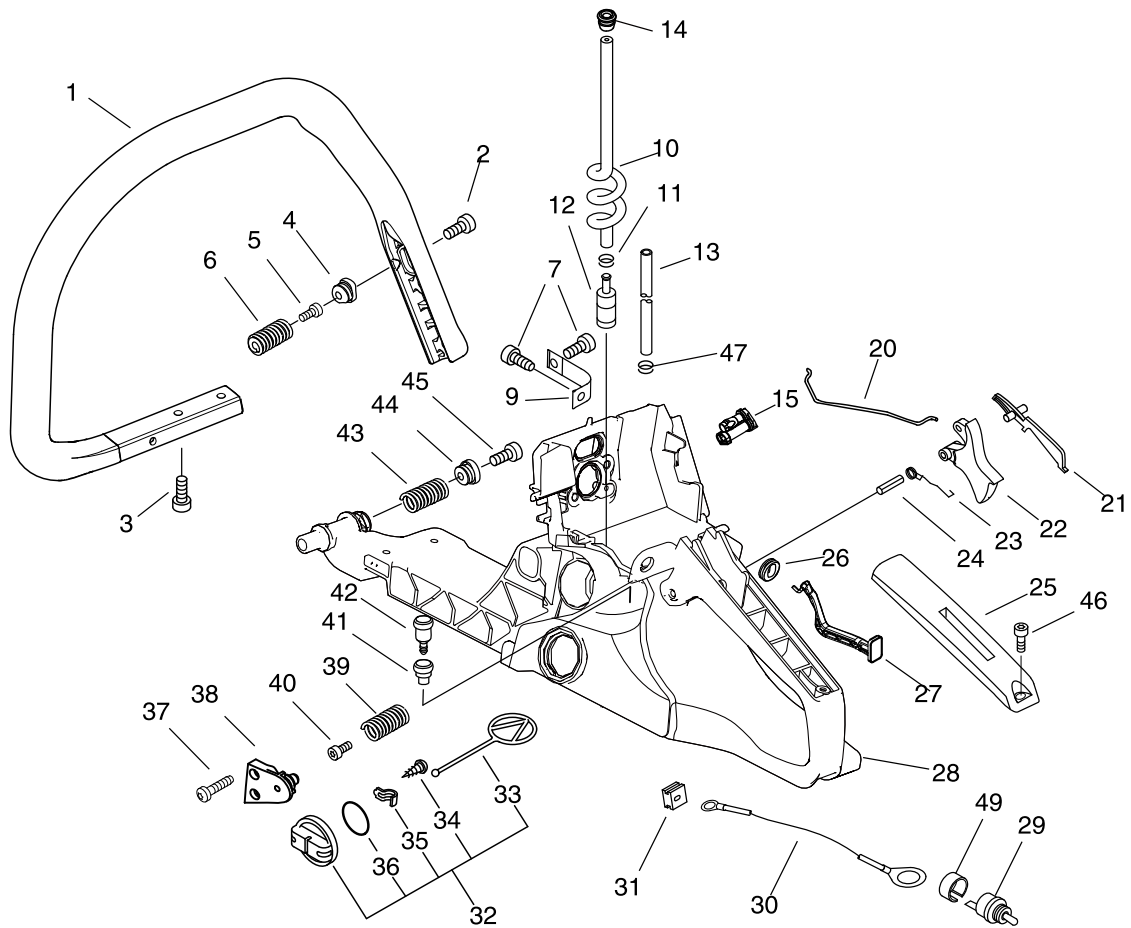
KEY	LV	PART NUMBER	Q'TY	DESCRIPTION	REMARKS	NOTE1	NOTE2
1		C400-001040	1	HANDLE, FRONT			
2		V806-000000	1	BOLT, TORX 6	TT-6*20 DG 10.9		
3		V805-000010	4	BOLT, TORX 5	TT-5*20 DG 10.9		
4		V456-000080	1	HOLDER, SPRING	14.4		
5		V805-000000	1	BOLT, TORX 5	TT-5*16 DG 10.9		
6		V450-000730	1	SPRING, COMPRESSION	17*38.4		
7		V805-000000	2	BOLT, TORX 5	TT-5*16 DG 10.9		
9		C617-000361	1	STOPPER			
10		V471-003080	1	PIPE	3*6*105		
11		132013-09820	1	CLIP	6MM		
12		131205-19831	1	STRAINER, FUEL			
13		132012-02960	1	PIPE, FUEL	3*6*120L		
14		132115-01461	1	GROMMET			
15		V131-000180	1	GROMMET, NEEDLE			
20		C454-000470	1	ROD, THROTTLE			
21		178090-37930	1	LOCKOUT, T. CONTROL			
22		C450-000360	1	CONTROL, THROTTLE			
23		V452-000260	1	SPRING, TORSION			
24		900345-40025	1	PIN, SPRING 4*25SUS	4*25SUS		
25		C411-000001	1	LID, HANDLE			
26		V130-000030	1	GROMMET, CHOKE			
27		A241-000220	1	KNOB, CHOKE			

4. HANDLE



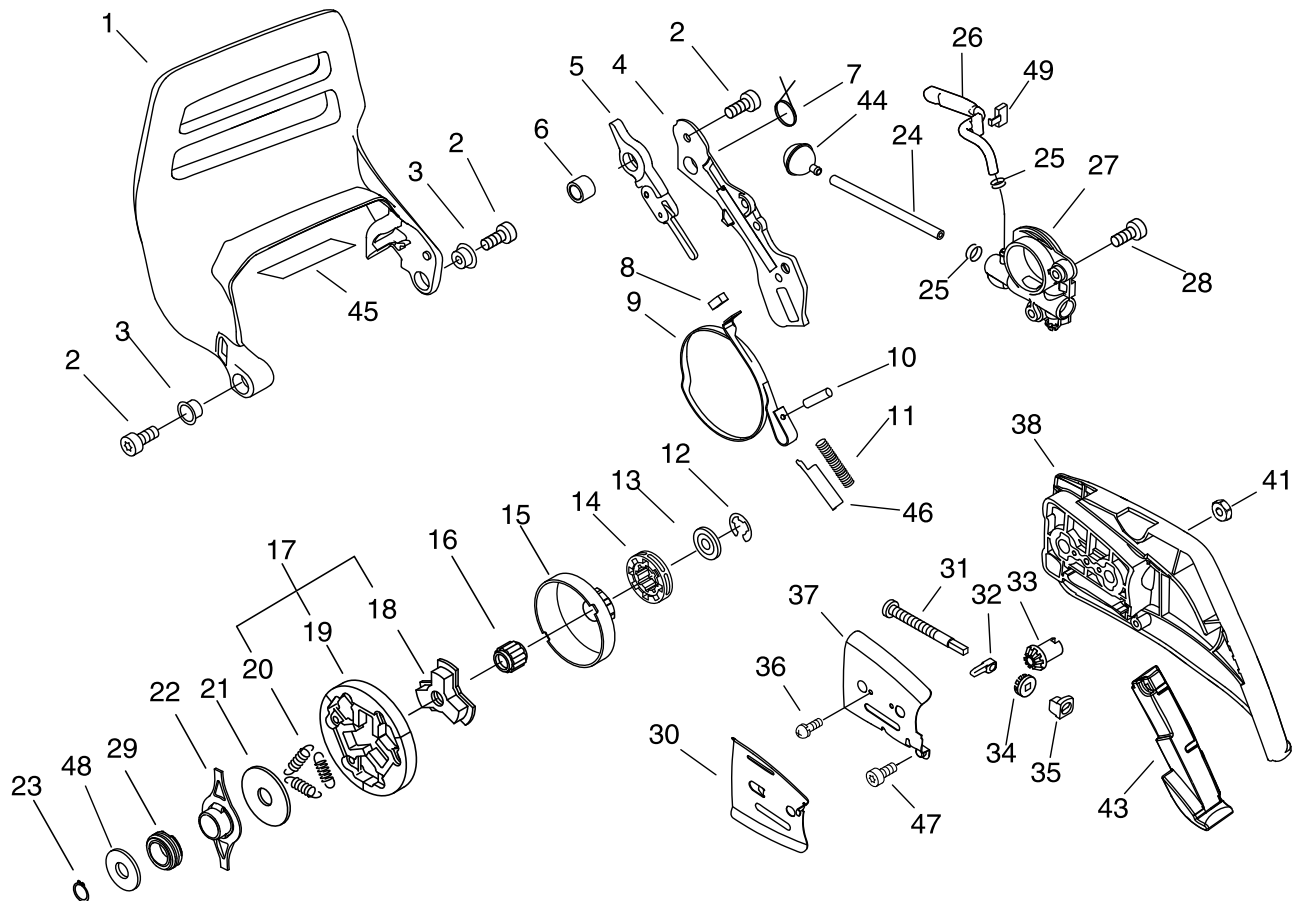
KEY	LV	PART NUMBER	Q'TY	DESCRIPTION	REMARKS	NOTE1	NOTE2
28		C410-001000	1	HANDLE, REAR			
28		C410-001001	1	HANDLE, REAR			
29		A440-001190	1	SWITCH, ON OFF			
30		V485-001101	1	LEAD	L:170/LA105		
31		150114-04920	1	BUSHING			
32		P021-016040	1	CAP.FUER ASSY			
33	+	131051-19830	1	LINK	60L		
34	+	900246-03008	1	SCREW 3*8	3*8		
35	+	131050-19830	1	RETAINER, LINK			
36	+	900720-20029	1	O-RING 29	P-29		
37		V805-000010	2	BOLT, TORX 5	TT-5*20 DG 10.9		
38		V456-000090	1	HOLDER,SPRING			
39		V450-001630	1	SPRING,COMPRESSION			
40		V805-000010	1	BOLT, TORX 5	TT-5*20 DG 10.9		
41		A359-000000	1	COVER,VENT	22.5*D18*D8.5		
42		131300-56431	1	VENT ASSEMBLY, FUEL			
43		V450-000770	1	SPRING,COMPRESSION	20*40*3.3		
44		V456-000101	1	HOLDER,SPRING			
45		V806-000000	1	BOLT, TORX 6	TT-6*20 DG 10.9		
46		V804-000000	1	BOLT, TORX 4	TT-4*12 DG 10.9		
47		132013-26630	1	CLIP	6.5MM		

4. HANDLE



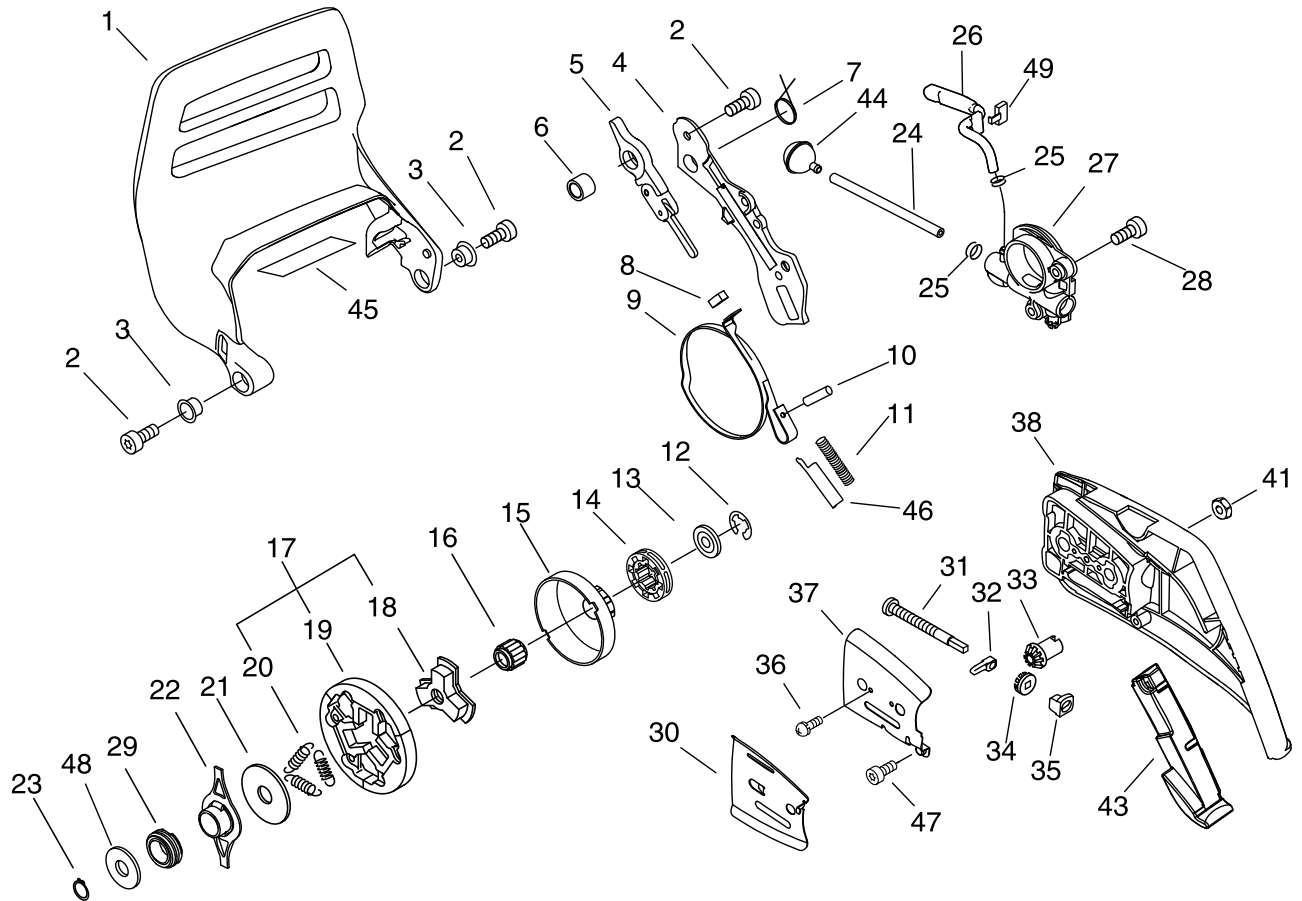
KEY	LV	PART NUMBER	Q'TY	DESCRIPTION	REMARKS	NOTE1	NOTE2
49		A472-000090	1	CAP			

5. CLUTCH, SPROCKET



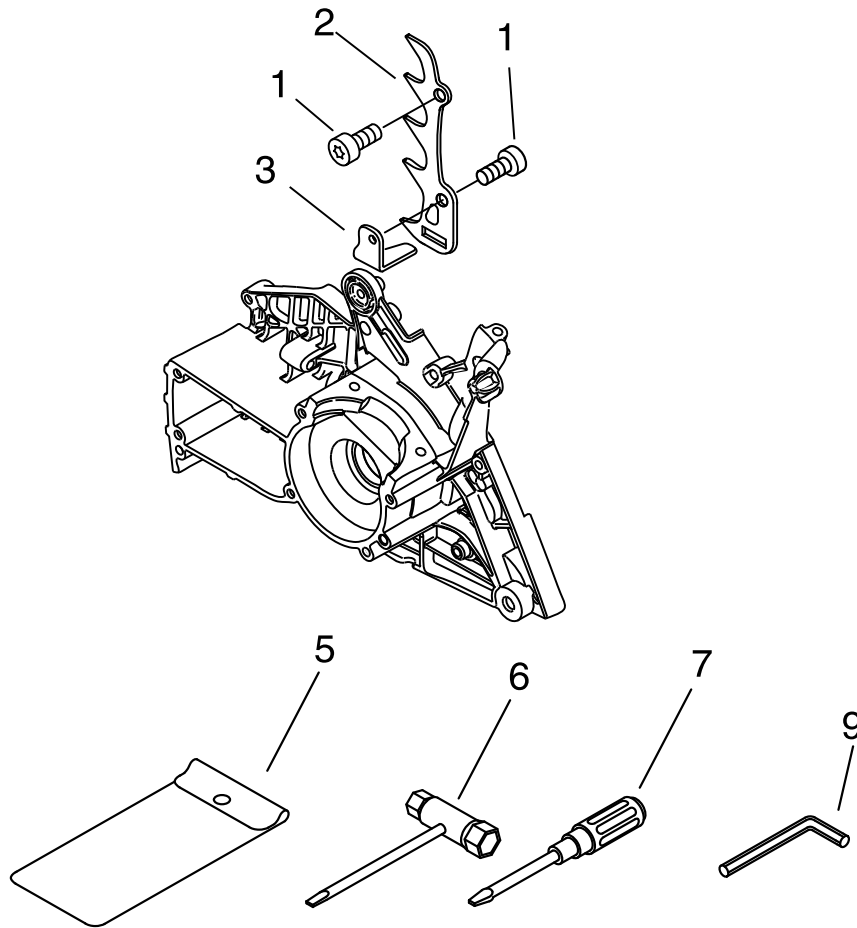
KEY	LV	PART NUMBER	Q'TY	DESCRIPTION	REMARKS	NOTE1	NOTE2
1		C320-000410	1	LEVER, BRAKE			
2		V805-000000	5	BOLT, TORX 5	TT-5*16 DG 10.9		
3		V356-000440	2	COLLAR,10	11.2*16.2*T0.6		
4		C345-000282	1	COVER,BRAKE			
5		C334-000110	1	CONNECTOR, BRAKE			
6		V356-000470	1	COLLAR,10	12*10*T1.0		
7		V452-000400	1	SPRING,TORSION			
8		V376-000450	1	SPACER			
9		C328-000121	1	BAND, BRAKE			
10		93050-30080	1	ROLLER			
11		V450-000740	1	SPRING,COMPRESSION	12*70.5		
12		V583-000130	1	RING	8 T1.2		
13		V307-000410	1	WASHER,CIRCULAR 10	10*28.5*3.5		
14		175114-12530	1	SPROCKET, RIM .325			
15		A556-001310	1	DRUM, CLUTCH			
16		V555-000160	1	BEARING,NEEDLE 10			
17		A056-000220	1	CLUTCH ASY	VA		
18	+	A552-000110	1	HUB, CLUTCH			
19	+	P021-007050	1	CLUTCH SHOE SET			
20	+	V451-000500	3	SPRING,TENSION			
21		A551-000110	1	PLATE, CLUTCH	12*36*2		
22		V358-000090	1	COLLAR,14			
23		900701-00015	1	CIRCLIP 15	CS-15		
24		437210-30830	1	PIPE, OIL	NBR 3*6*210L		

5. CLUTCH, SPROCKET



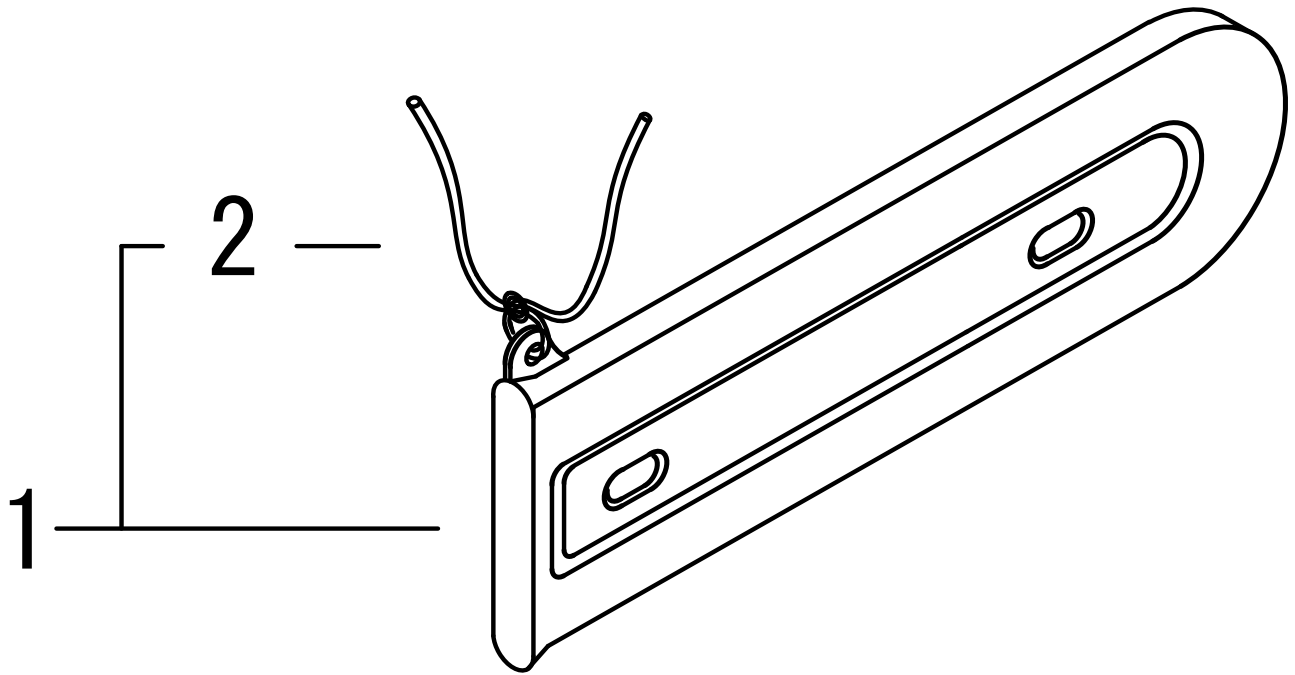
KEY	LV	PART NUMBER	Q'TY	DESCRIPTION	REMARKS	NOTE1	NOTE2
25		132013-09820	2	CLIP	6MM		
26		V470-001790	1	PIPE			
27		C022-000051	1	AUTO-OILER ASSEMBLY			
28		V804-000000	2	BOLT, TORX 4	TT-4*12 DG 10.9		
29		V652-000050	1	GEAR,WORM			
30		C305-000390	1	PLATE, SPROCKET GUARD			
31		V203-000110	1	BOLT, 5			
32		C309-000150	1	TENSIONER, CHAIN			
33		V651-000001	1	GEAR, BEVEL			
34		V651-000011	1	GEAR, BEVEL			
35		V355-000270	1	COLLAR, 8			
36		91325-03005	1	SCREW			
37		C305-000400	1	PLATE, SPROCKET GUARD			
38		C300-000810	1	GUARD, SPROCKET			
41		V265-000250	2	NUT			
43		C302-000010	1	PAD, GUARD			
44		436205-14730	1	STRAINER, OIL			
45		V341-000170	1	WASHER, SQUARE			
46		C603-000220	1	PLATE, SIDE	T0.3		
47		V804-000000	1	BOLT, TORX 4	TT-4*12 DG 10.9		
48		V311-000090	1	WASHER, CIRCULAR 16-1	15.5*22.5*0.5		
49		C518-000150	1	BRACKET, PIPE			

6. TOOLS



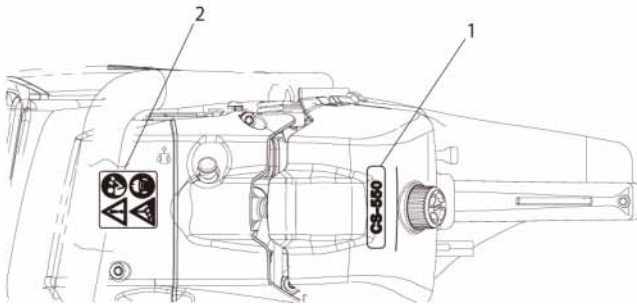
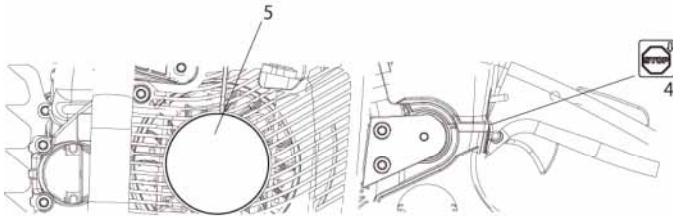
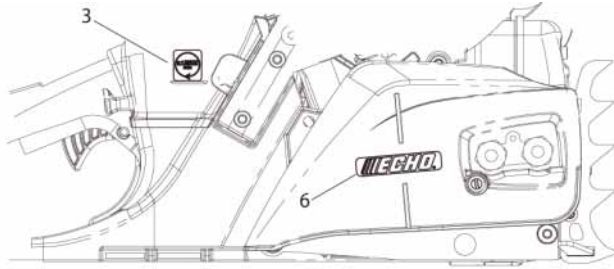
KEY	LV	PART NUMBER	Q'TY	DESCRIPTION	REMARKS	NOTE1	NOTE2
1		V805-000000	2	BOLT, TORX 5	TT-5*16 DG 10.9		
2		C304-000180	1	SPIKED			
3		C310-000010	1	CATCHER, CHAIN			
5		X698-000050	1	TOOL,CASE	140*260*0.06		
6		X602-000080	1	TOOL,WRENCH	13*19 L180		
7		895812-03930	1	DRIVER, SCREW 50			
9		X605-000050	1	TOOL,L WRENCH			

7. SCABBARD



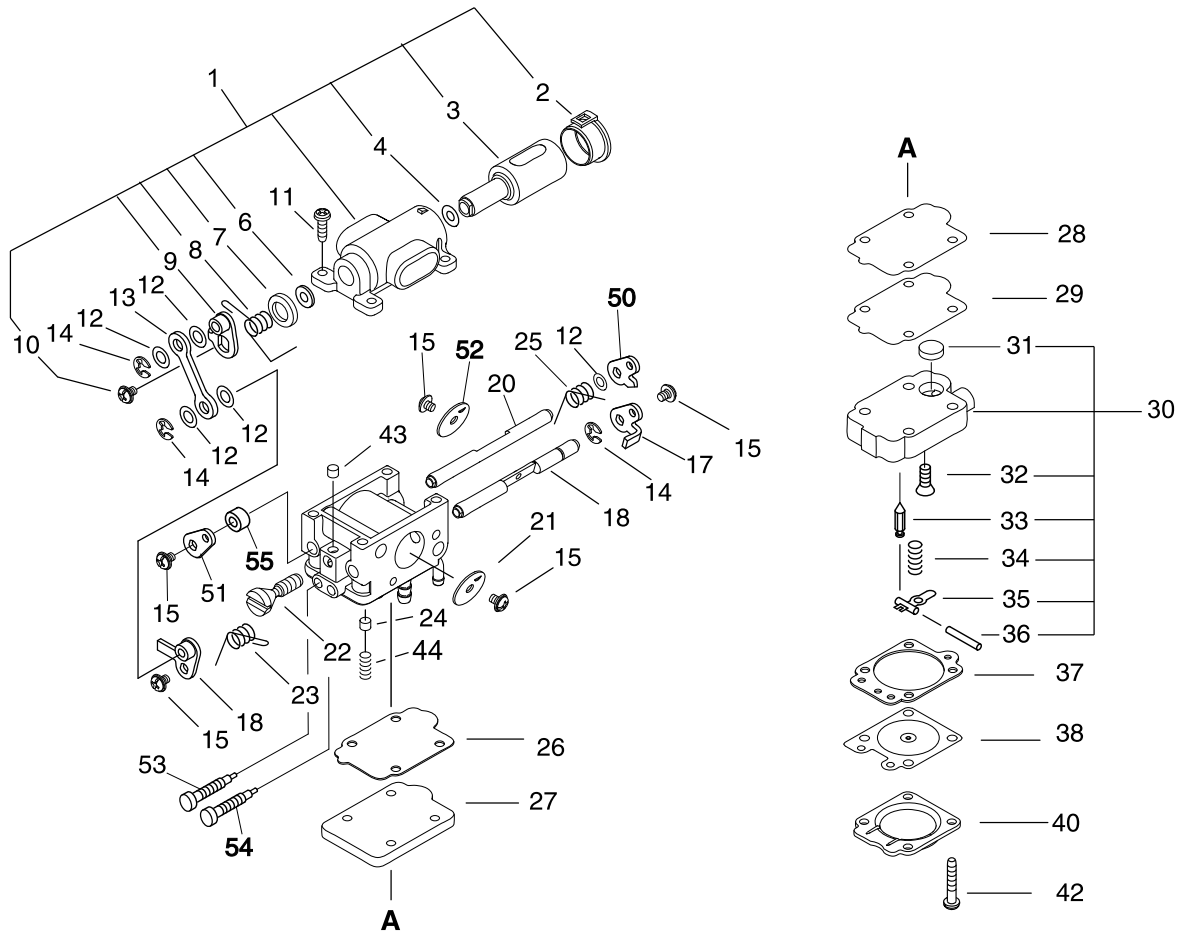
KEY	LV	PART NUMBER	Q'TY	DESCRIPTION	REMARKS	NOTE1	NOTE2
1		P021-014290	1	SCABBARD,CHAIN			
2		898568-14530	1	ROPE	5*900		

8. LABELS



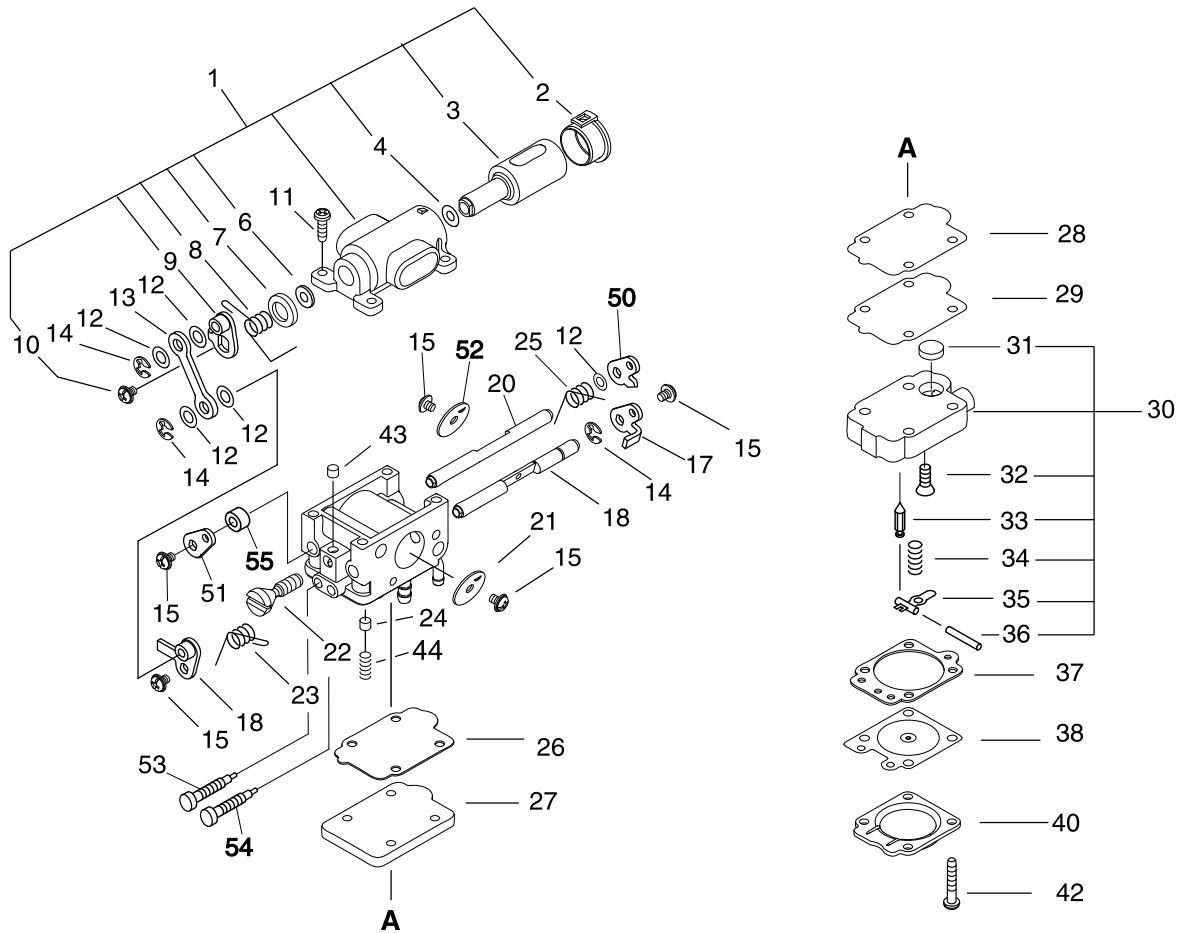
KEY	LV	PART NUMBER	Q'TY	DESCRIPTION	REMARKS	NOTE1	NOTE2
1		X503-010460	1	LABEL,MODEL	CS-550		
2		890345-39230	1	LABEL,CAUTION			
3		X505-000180	1	LABEL,CAUTION			
4		890157-39130	1	LABEL, SWITCH			
5		X502-000460	1	LABEL,ECHO			
6		X502-000340	1	LABEL,ECHO	ECHO(WHITE)		

9. CARBURETOR



KEY	LV	PART NUMBER	Q'TY	DESCRIPTION	REMARKS	NOTE1	NOTE2
		A021-003360	1	CARBURETOR,DIAPHRAGM	WLA-4		
1	+	P003-004230	1	BODY ASY,AIR VALVE			
2	++	P003-004040	1	COVER,AIR VALVE BODY			
3	++	P003-002020	1	VALVE AIR			
4	++	P003-002050	1	WASHER			
6	++	P003-002060	1	SEAL DUST			
7	++	P003-002000	1	COVER DUST			
8	++	P003-002040	1	SPRING RETURN			
9	++	P003-004240	1	LINK ASSEMBLY-AIR			
10	++	P003-002030	1	SCREW			
11	+	123114-40630	4	SCREW			
12	+	123149-26030	4	WASHER			
13	+	P003-002080	1	LINK ROD			
14	+	123127-15030	3	RING			
15	+	123114-38830	4	SCREW			
17	+	P003-004250	1	LEVER-OUTER			
18	+	P003-004680	1	SHAFT ASY,THROTTLE			
20	+	P003-004270	1	SHAFT ASY,CHOKE			
21	+	123116-10530	1	VALVE, THROTTLE			
22	+	P003-002130	1	SCREW IDLE SPEED			
23	+	P003-002150	2	SPRING			
24	+	123185-39130	1	PISTON ASSY			
25	+	P003-004290	1	SPRING			
26	+	P003-002110	1	GASKET PASSAGE			
27	+	P003-002160	1	PLATE PASSAGE			
28	+	P003-000100	1	GASKET, PUMP			

9. CARBURETOR



KEY	LV	PART NUMBER	Q'TY	DESCRIPTION	REMARKS	NOTE1	NOTE2
29	+	123112-40630	1	DIAPHRAGM, PUMP			
30	+	P003-004220	1	BODY ASSEMBLY, PUMP			
31	++	123126-10631	1	SCREEN, INLET			
32	++	123139-05560	1	SCREW, M. LEVER PIN			
33	++	123137-19830	1	VALVE, INLET NEEDLE			
34	++	123122-05560	1	SPRING, METER. LEVER			
35	++	123123-03930	1	LEVER, METERING			
36	++	123138-03930	1	PIN, METERING LEVER			
37	+	123140-27230	1	GASKET, M. DIAPHRAGM			
38	+	P003-001850	1	DIAPHRAGM, METERING			
40	+	123142-03930	1	COVER, M. DIAPHRAGM			
42	+	123110-40630	4	SCREW, PUMP COVER			
43	+	123178-15030	1	PLUG, FRICTION			
44	+	P003-004300	1	SPRING			
50	+	P003-001510	1	LEVER-FAST IDLE			
51	+	P003-004060	1	LEVER, CHOKE			
52	+	P003-002200	1	VALVE, CHOKE			
53	+	P003-002270	1	NEEDLE			
54	+	P003-004360	1	NEEDLE			
55	+	P003-004330	1	SPACER			

10. GUIDE BAR, CHAIN

1A	38RV58-325E	2A	21BPX-64E
1B	45RV58-325E	2B	21BPX-72E
1C	50RV58-325E	2C	21BPX-80E

KEY	LV	PART NUMBER	Q'TY	DESCRIPTION	REMARKS	NOTE1	NOTE2
1A		430521-30131	1	BAR,GUIDE 38RV58-325	38RV58-325E		
2A		431721-30231	1	CHAIN, SAW	21BPX-64E		
1B		430517-30131	1	BAR,GUIDE 45RV58-325	45RV58-325E		
2B		431717-30231	1	CHAIN, SAW	21BPX-72E		
1C		430512-30131	1	BAR,GUIDE 50RV58-325	50RV58-325E		
2C		431712-30231	1	CHAIN, SAW	21BPX-80E		

Index

Patrs Number	Key No.	Patrs Number	Key No.	Patrs Number	Key No.
100015-32330	1 - 10	436205-14730	5 - 44	A429-000040	3 - 3
100142-30830	1 - 14	437210-30830	5 - 24	A440-001190	4 - 29
100215-02830	1 - 17	437239-14730	1 - 33	A472-000090	4 - 49
123110-40630	9 - 42	890157-39130	8 - 4	A503-000030	3 - 23
123112-40630	9 - 29	890345-39230	8 - 2	A506-000110	3 - 21
123114-38830	9 - 15	895812-03930	6 - 7	A511-000071	3 - 25
123114-40630	9 - 11	898568-14530	7 - 2	A551-000110	5 - 21
123116-10530	9 - 21	900212-04014	1 - 41	A552-000110	5 - 18
123122-05560	9 - 34	900246-03008	1 - 30	A556-001310	5 - 15
123123-03930	9 - 35	900246-03008	4 - 34	C022-000051	5 - 27
123126-10631	9 - 31	900345-40025	4 - 24	C300-000810	5 - 38
123127-15030	9 - 14	900515-00008	3 - 11	C302-000010	5 - 43
123137-19830	9 - 33	900603-00005	3 - 15	C304-000180	6 - 2
123138-03930	9 - 36	900701-00015	5 - 23	C305-000390	5 - 30
123139-05560	9 - 32	900720-00028	1 - 32	C305-000400	5 - 37
123140-27230	9 - 37	900720-20029	4 - 36	C309-000150	5 - 32
123142-03930	9 - 40	91325-03005	5 - 36	C310-000010	6 - 3
123149-26030	9 - 12	93050-30080	5 - 10	C320-000410	5 - 1
123178-15030	9 - 43	94036-46202	1 - 18	C328-000121	5 - 9
123185-39130	9 - 24	A011-001100	1 - 24	C334-000110	5 - 5
131050-19830	1 - 31	A014-000040	1 - 1	C345-000282	5 - 4
131050-19830	4 - 35	A021-003360	2 - 8	C400-001040	4 - 1
131051-19830	1 - 29	A021-003360	9 -	C410-001000	4 - 28
131051-19830	4 - 33	A056-000220	5 - 17	C410-001001	4 - 28
131205-19831	4 - 12	A101-000590	1 - 9	C411-000001	4 - 25
131300-56431	4 - 42	A130-001740	1 - 3	C450-000360	4 - 22
132012-02960	4 - 13	A160-002310	2 - 16	C454-000470	4 - 20
132013-09820	4 - 11	A172-000842	3 - 17	C518-000150	5 - 49
132013-09820	5 - 25	A202-000210	1 - 43	C603-000220	5 - 46
132013-26630	4 - 47	A202-000220	1 - 4	C617-000361	4 - 9
132115-01461	1 - 37	A206-000021	1 - 5	E106-000150	1 - 27
132115-01461	4 - 14	A219-000060	2 - 20	P003-000100	9 - 28
150114-04920	4 - 31	A226-001610	2 - 28	P003-001510	9 - 50
156110-04920	3 - 6	A232-001400	2 - 14	P003-001850	9 - 38
175114-12530	5 - 14	A235-000200	2 - 15	P003-002000	9 - 7
177214-02830	3 - 20	A239-000060	1 - 23	P003-002020	9 - 3
177218-19830	3 - 14	A239-000070	2 - 17	P003-002030	9 - 10
177220-35430	3 - 24	A241-000220	4 - 27	P003-002040	9 - 8
177226-07060	3 - 22	A300-001560	2 - 6	P003-002050	9 - 4
177234-35430	3 - 12	A301-000030	2 - 2	P003-002060	9 - 6
177247-04630	3 - 13	A310-000090	2 - 5	P003-002080	9 - 13
178090-37930	4 - 21	A313-001041	2 - 4	P003-002110	9 - 26
430512-30131	10 - 1C	A313-001670	2 - 3	P003-002130	9 - 22
430517-30131	10 - 1B	A359-000000	4 - 41	P003-002150	9 - 23
430521-30131	10 - 1A	A409-000360	3 - 10	P003-002160	9 - 27
431712-30231	10 - 2C	A411-001190	3 - 8	P003-002200	9 - 52
431717-30231	10 - 2B	A425-000000	3 - 4	P003-002270	9 - 53
431721-30231	10 - 2A	A426-000010	3 - 2	P003-004040	9 - 2
436114-13930	1 - 34	A427-000013	3 - 1	P003-004060	9 - 51

Index

Patrs Number	Key No.	Patrs Number	Key No.	Patrs Number	Key No.
P003-004220	9 - 30	V456-000080	4 - 4	X605-000050	6 - 9
P003-004230	9 - 1	V456-000090	4 - 38	X698-000050	6 - 5
P003-004240	9 - 9	V456-000101	4 - 44		
P003-004250	9 - 17	V470-001790	5 - 26		
P003-004270	9 - 20	V471-003080	4 - 10		
P003-004290	9 - 25	V475-006660	3 - 5		
P003-004300	9 - 44	V485-001091	3 - 7		
P003-004330	9 - 55	V485-001101	4 - 30		
P003-004360	9 - 54	V508-000010	1 - 16		
P003-004680	9 - 18	V555-000160	5 - 16		
P021-007050	5 - 19	V556-000000	1 - 12		
P021-014290	7 - 1	V583-000130	5 - 12		
P021-015163	3 - 18	V609-000000	1 - 11		
P021-016030	1 - 28	V651-000001	5 - 33		
P021-016040	4 - 32	V651-000011	5 - 34		
P021-036660	1 - 40	V652-000050	5 - 29		
P021-036670	1 - 39	V804-000000	4 - 46		
P021-036680	1 - 8	V804-000000	5 - 28		
P021-036690	1 - 15	V804-000000	5 - 47		
P021-036890	2 - 9	V804-000030	2 - 1		
V100-000630	1 - 7	V804-000050	1 - 42		
V102-000210	1 - 19	V805-000000	1 - 6		
V104-001770	2 - 7	V805-000000	1 - 26		
V130-000030	4 - 26	V805-000000	2 - 19		
V131-000180	4 - 15	V805-000000	3 - 9		
V141-000090	1 - 36	V805-000000	4 - 5		
V142-000070	2 - 29	V805-000000	4 - 7		
V203-000110	5 - 31	V805-000000	5 - 2		
V205-000400	1 - 38	V805-000000	6 - 1		
V265-000250	5 - 41	V805-000010	1 - 20		
V307-000410	5 - 13	V805-000010	3 - 29		
V311-000090	5 - 48	V805-000010	4 - 3		
V341-000140	2 - 18	V805-000010	4 - 37		
V341-000170	5 - 45	V805-000010	4 - 40		
V355-000270	5 - 35	V805-000020	1 - 21		
V356-000440	5 - 3	V805-000030	2 - 10		
V356-000470	5 - 6	V805-000130	3 - 19		
V358-000090	5 - 22	V805-000170	1 - 35		
V359-000060	1 - 25	V805-000210	2 - 27		
V376-000450	5 - 8	V805-000220	1 - 2		
V376-001780	1 - 44	V806-000000	4 - 2		
V420-003800	1 - 22	V806-000000	4 - 45		
V450-000730	4 - 6	V835-000000	3 - 16		
V450-000740	5 - 11	V855-000000	2 - 21		
V450-000770	4 - 43	X502-000340	8 - 6		
V450-001630	4 - 39	X502-000460	8 - 5		
V451-000500	5 - 20	X503-010460	8 - 1		
V452-000260	4 - 23	X505-000180	8 - 3		
V452-000400	5 - 7	X602-000080	6 - 6		

YAMABIKO CORPORATION

7-2 SUEHIROCHO 1-CHOME, OHME, TOKYO 198-8760, JAPAN
PHONE: 81-428-32-6118. FAX: 81-428-32-6145.



10Jc
No. 03-154