

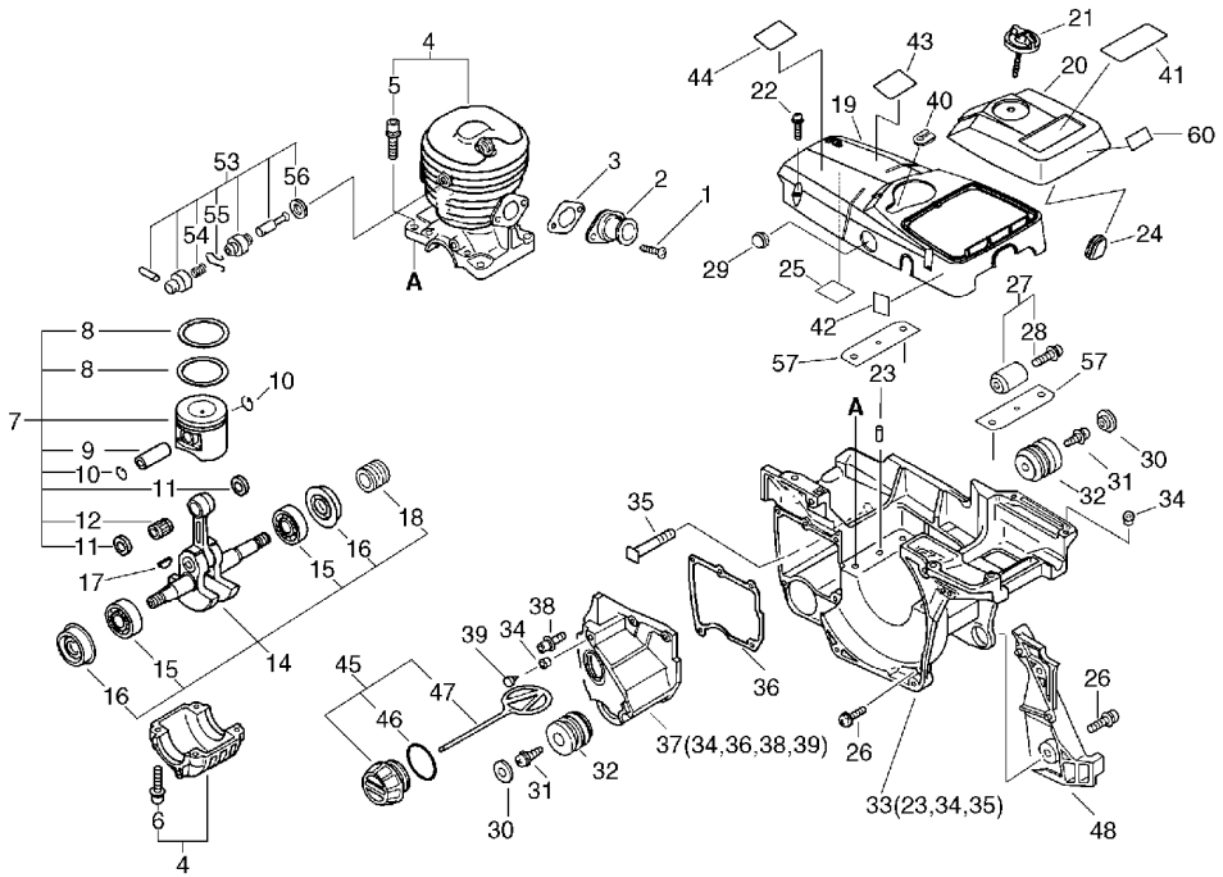


# **PARTS CATALOGUE**

## **CHAIN SAW**

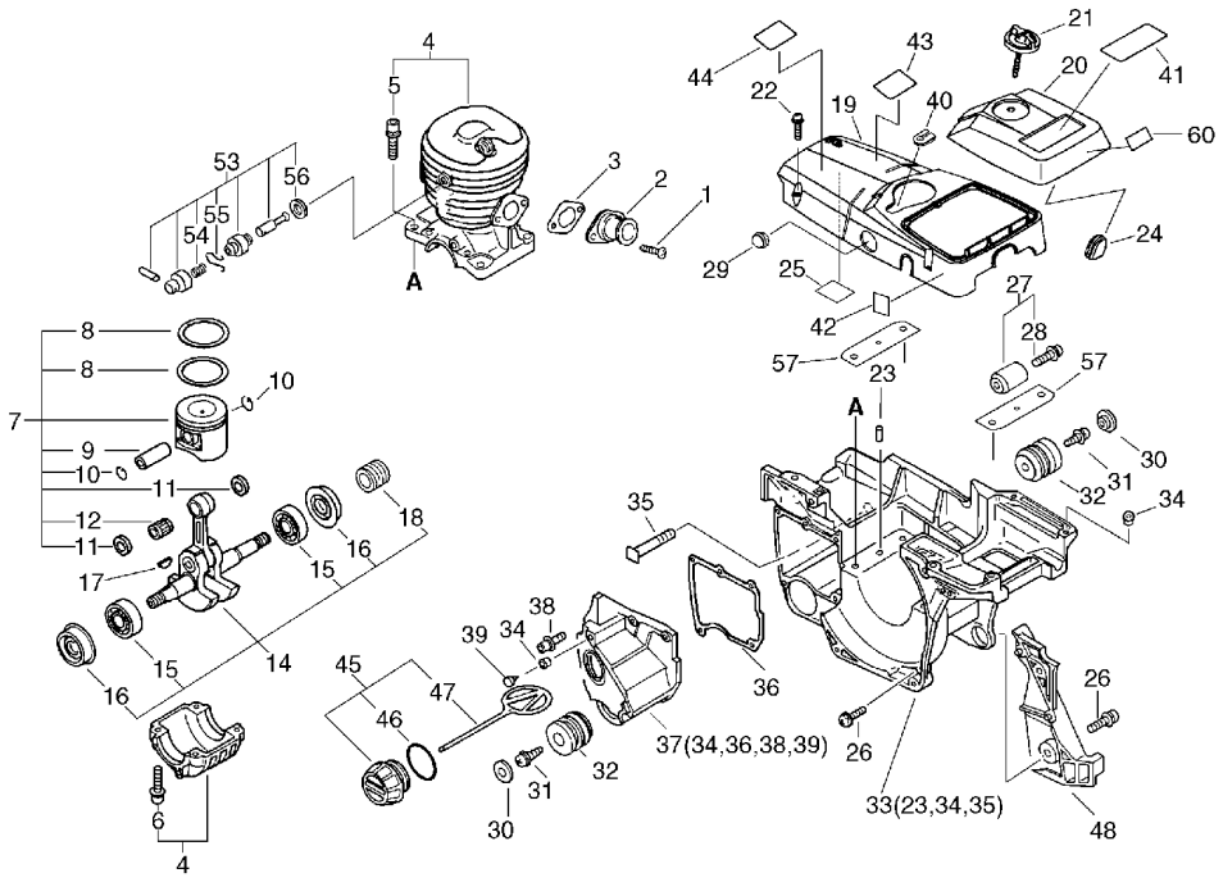
**CS-5100(6digits)(21)(35)(36)**

# 1. Cylinder, Crankcase, Piston



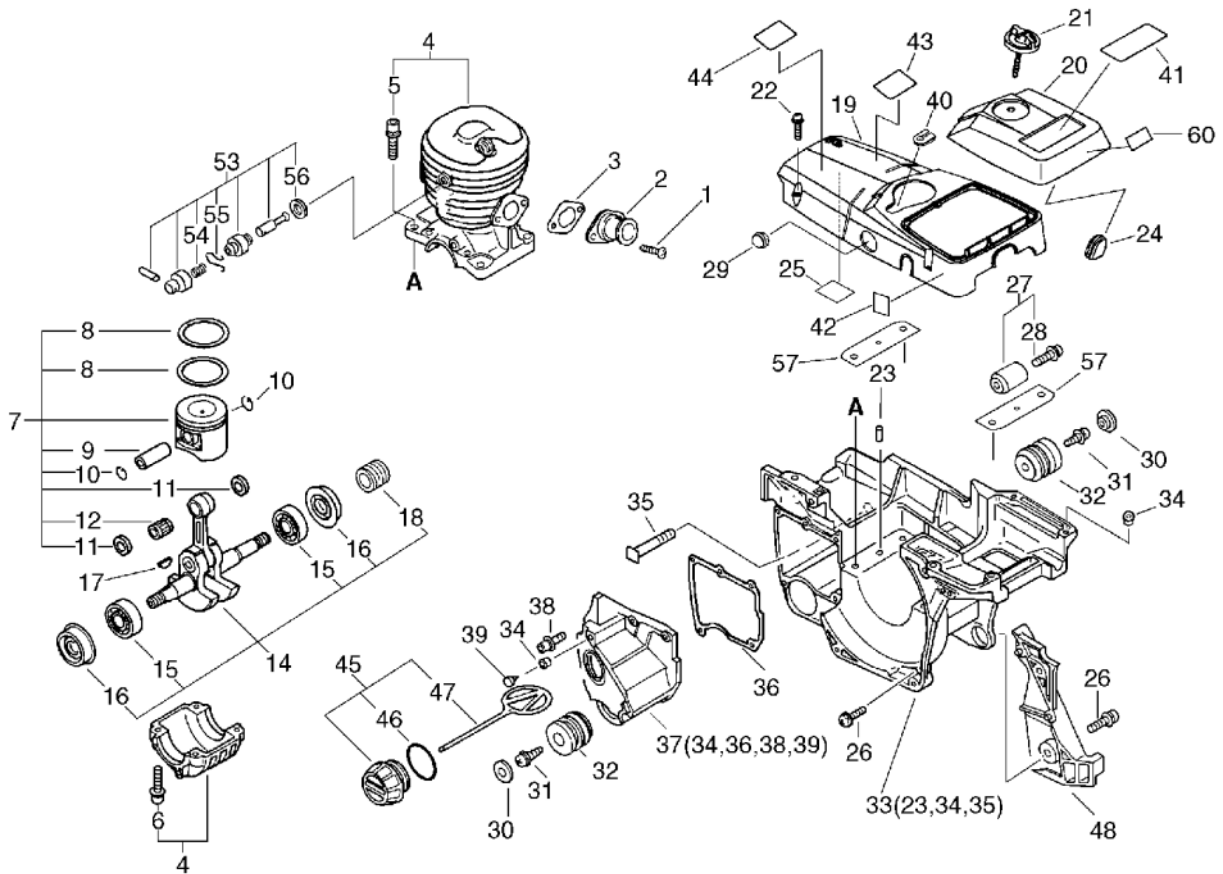
KEY	LV	PART NUMBER	Q'TY	DESCRIPTION	REMARKS	NOTE1	NOTE2
1		900238-05012	2	SCREW 5*12	5*12		
2		130510-39932	1	ADAPTER, INTAKE			
3		130016-39930	1	GASKET, INTAKE			
4		P021-004080	1	CRANKCASE SET		Sus. by P021-004082	
4		P021-004082	1	CRANKCASE SET			
5	+	900162-05022	4	BOLT, H.S. 5*22	5*22 W,SW		
6	+	900106-05020	4	BOLT, H.S. 5*20	5*20		
7		P021-001060	1	PISTON KIT		Sus. by P021-001062	
7		P021-001061	1	PISTON KIT		Sus. by P021-001062	
7		P021-001062	1	PISTON KIT		Sus. by P021-001064	
8	+	100011-39730	2	RING, PISTON		Sus. by 100011-39731	
9	+	V609-000000	1	PIN,ENG 11			
10	+	100015-32330	2	CIRCLIP, PISTON PIN			
11	+	V308-000000	2	WASHER,CIRCULAR 11		Sus. by V308-000010	
11	+	V308-000010	2	WASHER,CIRCULAR 11	11*19*3.1		
12	+	100012-32330	1	BEARING, NEEDLE		Sus. by V556-000000	
12	+	V556-000000	1	BEARING,NEEDLE 11	KBK11*15*15.8X2		

# 1. Cylinder, Crankcase, Piston



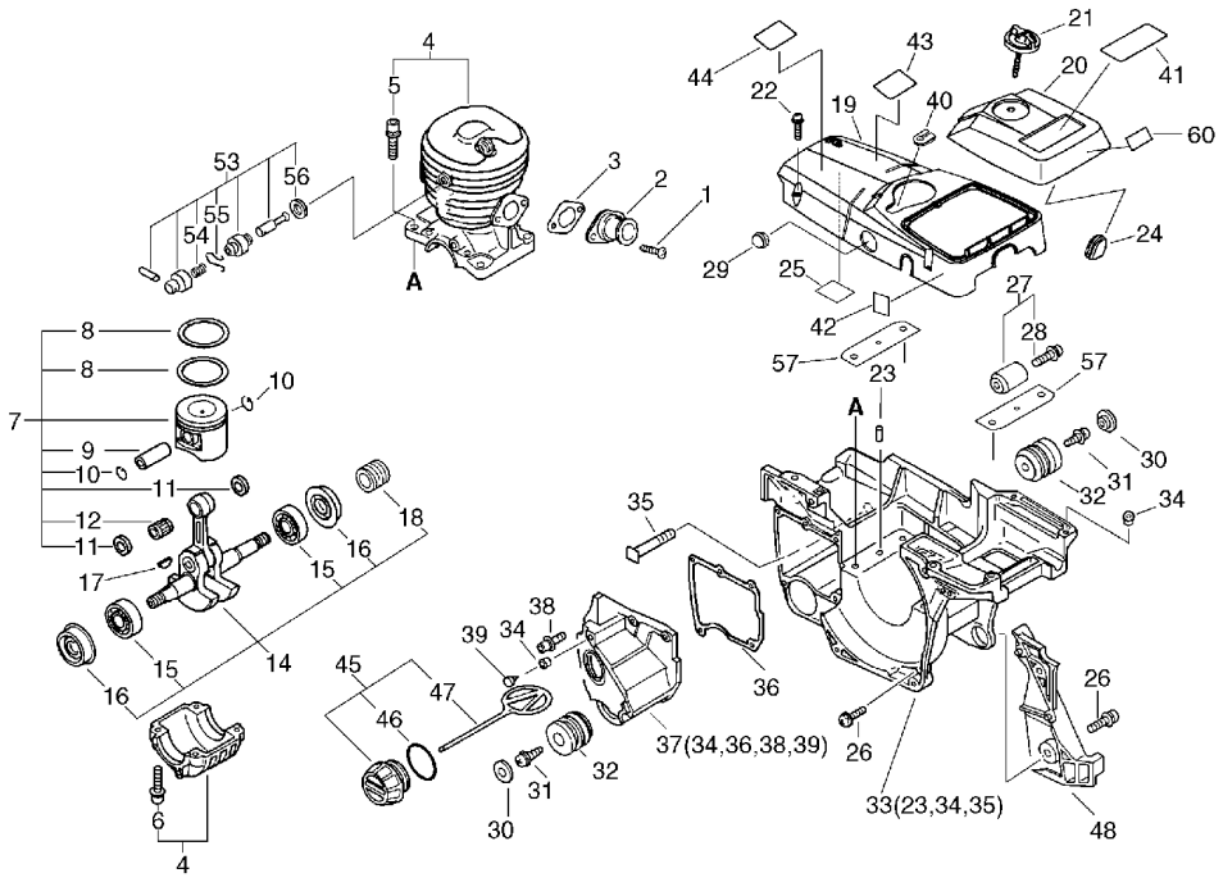
KEY	LV	PART NUMBER	Q'TY	DESCRIPTION	REMARKS	NOTE1	NOTE2
14		P021-001070	1	CRANKSHAFT,ASSY		Sus. by P021-001071	
14		P021-001071	1	CRANKSHAFT,ASSY			
15	+	900810-36202	2	BEARING, BALL 6202	6202/C3		
16	+	V508-000000	2	SEAL,OIL 15			
18	+	V652-000000	1	GEAR,WORM			
17		100142-30830	1	KEY, WOODRUFF			
19		A160-000100	1	COVER,CYLINDER		Sus. by A160-000101	
19		A160-000101	1	COVER,CYLINDER		Sus. by A160-000102	
19		A160-000102	1	COVER,CYLINDER		CHINA	
20		A232-000020	1	LID,CLEANER		Sus. by A232-000021	
20		A232-000021	1	LID,CLEANER		Sus. by A232-000022	
20		A232-000023	1	LID,CLEANER		Sus. by A232-000023	
21		A235-000020	1	KNOB,CLEANER LID			
22		163890-38330	3	BOLT, 5			
24		130338-32430	1	PLUG, COVER			
25		101520-35430	1	COVER			
26		900238-05016	3	SCREW 5*16	5*16		
27		433000-19831	1	CATCHER KIT, CHAIN			
28	+	900220-05018	1	SCREW 5*18	5*18		
29		101578-38431	1	PLUG			

# 1. Cylinder, Crankcase, Piston



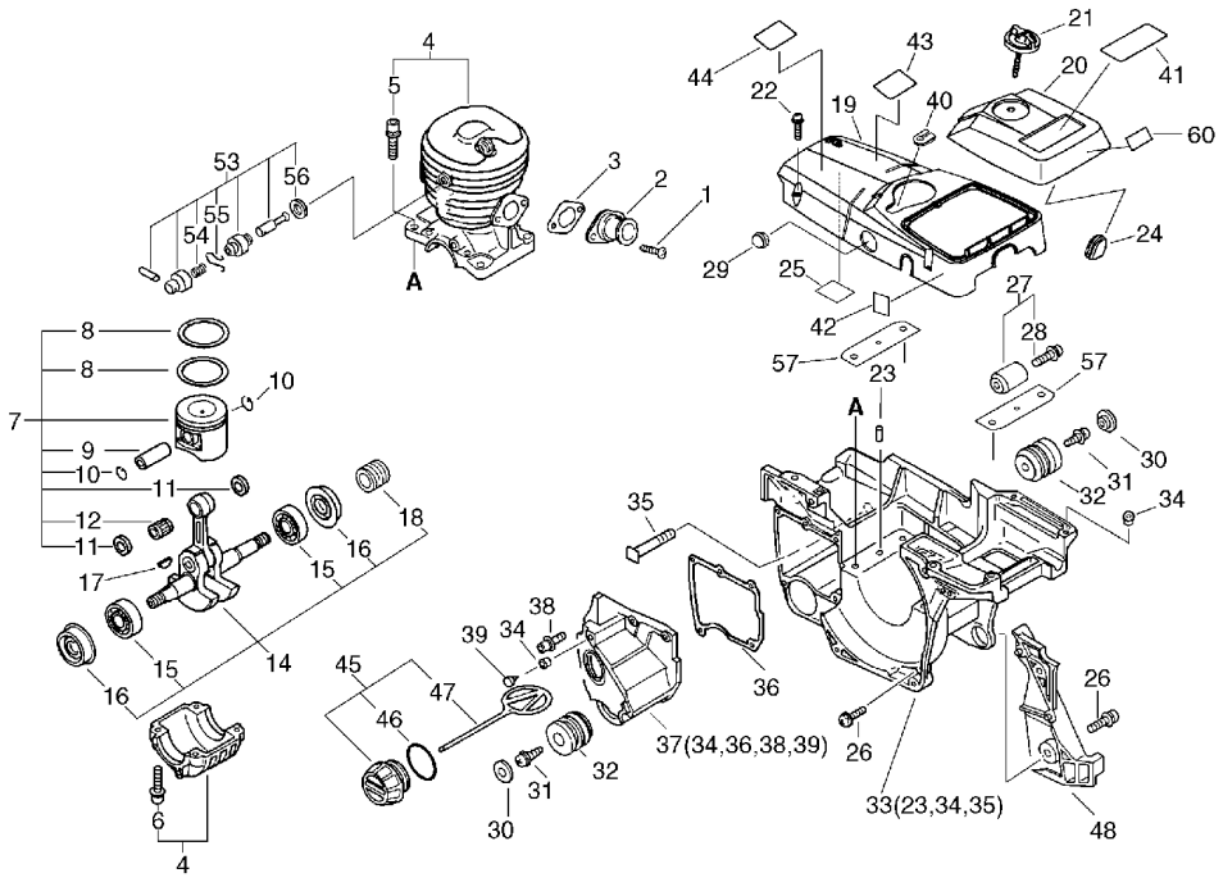
KEY	LV	PART NUMBER	Q'TY	DESCRIPTION	REMARKS	NOTE1	NOTE2
30		100918-38330	2	CAP, CUSHION			
31		100915-33930	2	SCREW			
32		100921-38330	2	CUSHION			
33		104005-38332	1	COVER, ENGINE		Sus. by P021-003110	
33		104005-38333	1	COVER, ENGINE		Sus. by P021-003110	
33		104005-38334	1	COVER, ENGINE		Sus. by P021-003110	
33		P021-003110	1	COVER, ENGINE			
23	+	100215-03930	2	PIN, DOWEL			
34	+	436018-38330	2	PIN, DOWEL			
35	+	433011-19830	2	STUD, GUIDE BAR			
37		436005-38332	1	TANK, OIL (BS)			
34	+	436018-38330	1	PIN, DOWEL			
36	+	436019-38330	1	GASKET, OIL TANK			
38	+	900162-04016	3	BOLT, H.S. 4*16	4*16 W,SW		
39	+	436114-13930	1	VALVE, CHECK			
40		V135-000010	1	GROMMET,HT CORD			
41		X503-000660	1	LABEL,MODEL	CS-5100		
41		X503-005660	1	LABEL,MODEL	CS-5100 CHINA	CHINA	
42		X505-000000	1	LABEL,CAUTION			
43		X505-000180	1	LABEL,CAUTION			

# 1. Cylinder, Crankcase, Piston



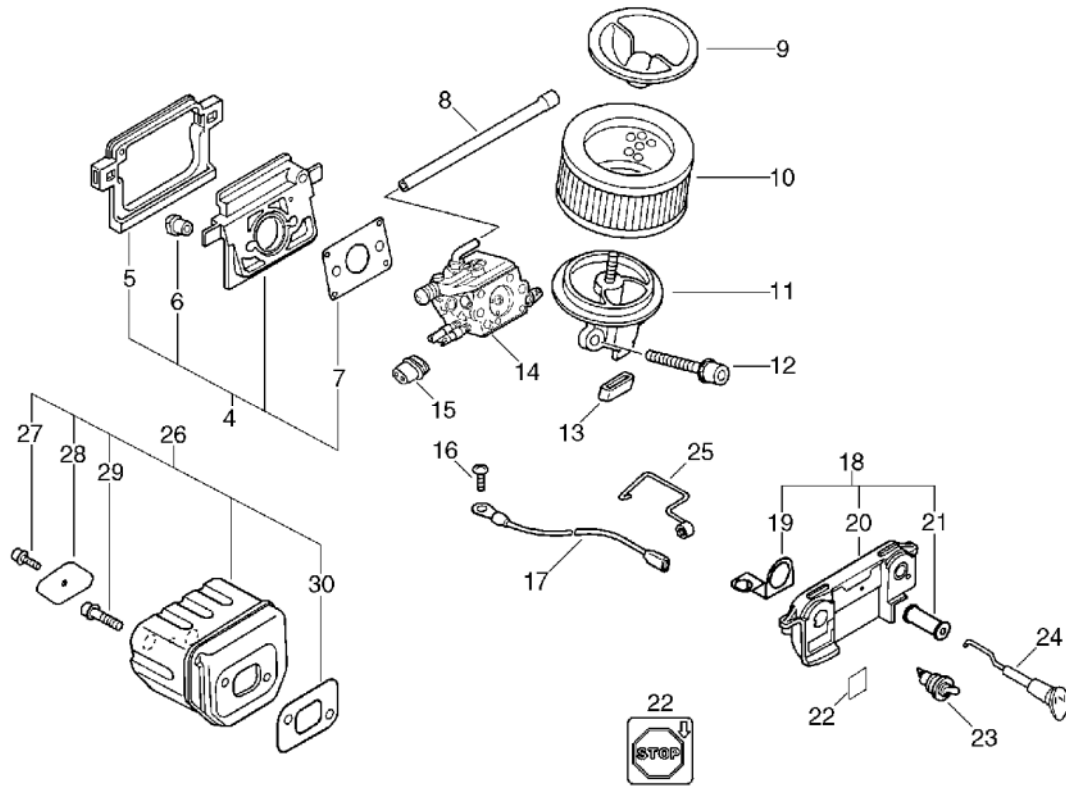
KEY	LV	PART NUMBER	Q'TY	DESCRIPTION	REMARKS	NOTE1	NOTE2
43		X505-001350	1	LABEL,CAUTION		CHINA, Sus. by X505-002490	
44		890345-39230	1	LABEL,CAUTION			
45		436001-65630	1	CAP ASSY,TANK		Sus. by 436001-39232	
45		436001-65631	1	CAP, OIL		Sus. by 436001-39232	
45		436001-39232	1	CAP, OIL			
46	+	900725-02025	1	O-RING	JASO 2025	Sus. by 900721-00025	
46	+	900721-00025	1	O-RING 25	G-25		
47	+	131051-19830	1	LINK	60L	Sus. by A365-000050	
47	+	A365-000050	1	CONNECTOR,CAP			
48		433045-38330	1	PLUG		Sus. by 433045-38332	
48		433045-38331	1	COVER		Sus. by 433045-38332	
48		433045-38332	1	COVER			
53		101100-21360	1	RELEASE ASSY, COMP.			
54	+	101113-37530	1	SPRING			
55	+	101119-37530	1	CLIP			
56	+	159025-37530	1	GASKET			
57		V150-001740	1	PLATE,EYE		Sr/Nr 36015011 and after	

# 1. Cylinder, Crankcase, Piston



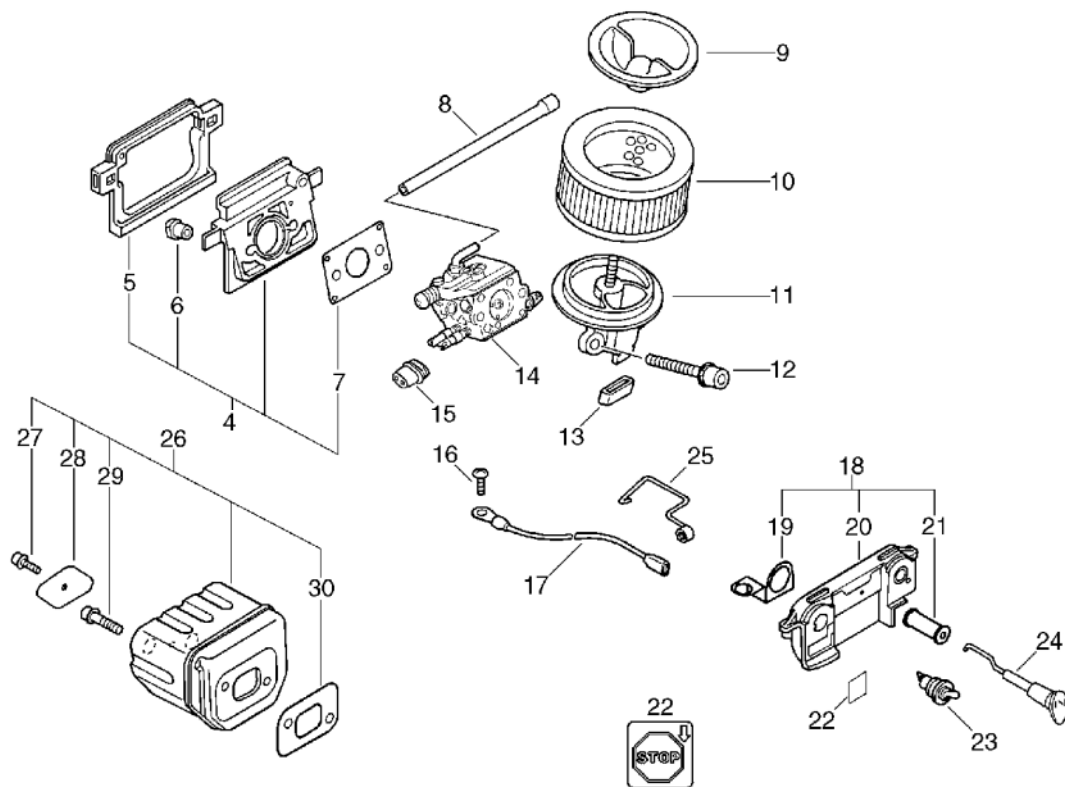
KEY	LV	PART NUMBER	Q'TY	DESCRIPTION	REMARKS	NOTE1	NOTE2
60		X505-001340	1	LABEL,CAUTION		CHINA	

2. Air Cleaner, Muffler



KEY	LV	PART NUMBER	Q'TY	DESCRIPTION	REMARKS	NOTE1	NOTE2
4		130000-38330	1	INSULATOR KIT		Sus. by 130000-38331	
4		130000-38331	1	INSULATOR ASY,INTAKE			
5	+	130366-38330	1	CUSHION		Sus. by V420-001130	
5	+	V420-001130	1	CUSHION			
6	+	130020-33330	2	NUT			
7	+	130010-38330	1	GASKET, INTAKE			
8		130110-38330	1	PIPE, IMPULSE	3*5*110		
9		130405-38331	1	BRACKET, AIR CLEANER		Sus. by 130405-38332	
10		130310-38330	1	FILTER, AIR		Sus. by 130310-38331	
10		130310-38331	1	FILTER, AIR			
11		A204-000000	1	ELBOW,CARBURETOR		Sus. by A204-000002	
11		A204-000001	1	ELBOW,CARBURETOR		Sus. by A204-000002	
11		A204-000002	1	ELBOW,CARBURETOR		Sus. by A204-000003	
11		A204-000003	1	ELBOW,CARBURETOR		CHINA Sus. by A204-000004	
11		A204-000004	1	ELBOW,CARBURETOR		CHINA	
12		900162-05050	2	BOLT, H.S. 5*50	5*50 W,SW		
13		130430-38330	1	CUSHION			

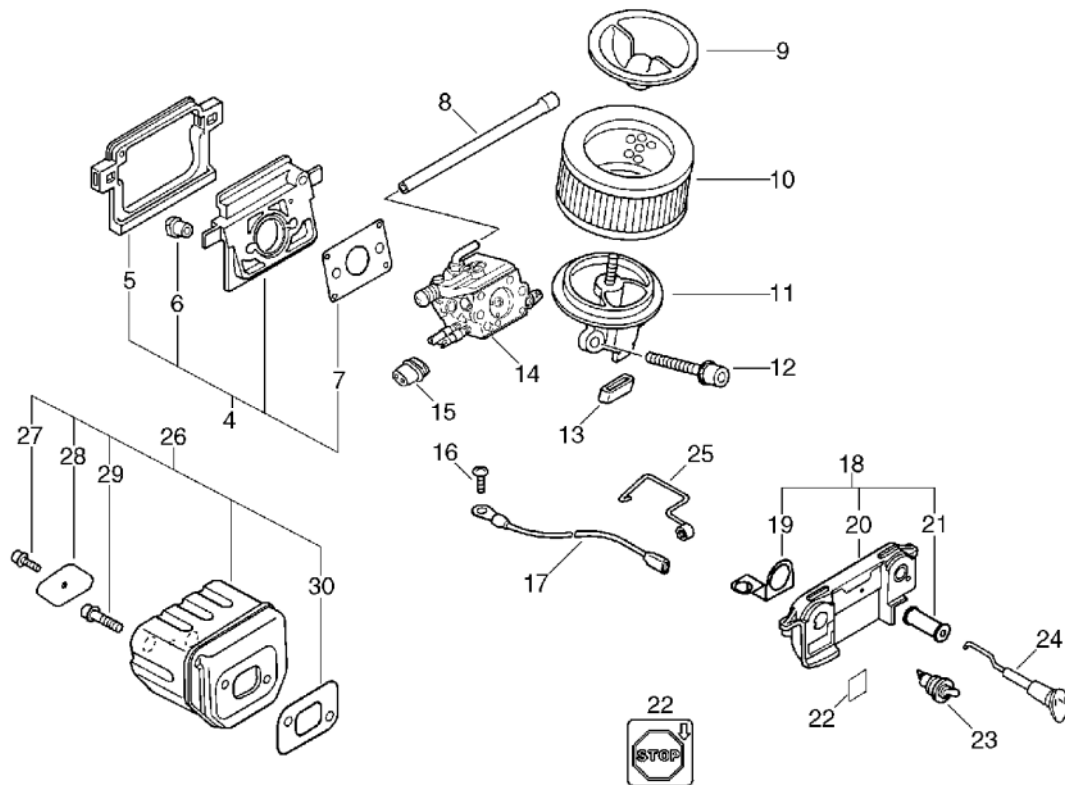
## 2. Air Cleaner, Muffler



KEY	LV	PART NUMBER	Q'TY	DESCRIPTION	REMARKS	NOTE1	NOTE2
14		A021-000100	1	CARBURETOR,DIAPHRAGM	WT-575 W/A CHOKE	Sr/Nr 010100 and before	
14		A021-000560	1	CARBURETOR,DIAPHRAGM		Sus. by A021- 000561	
14		A021-000561	1	CARBURETOR,DIAPHRAGM	C1Q-K64A	Sr/Nr 010101 to 017776	
14		A021-001000	1	CARBURETOR,DIAPHRAGM	C1Q-K79	Sr/Nr 36001001 and after	
15		129010-33330	1	GROMMET		Sr/Nr 017776 and before,CHINA	
16		900220-04006	1	SCREW 4*6	4*6		
17		162010-38330	1	LEAD, GROUND		Sus. by 162010- 38332	
17		162010-38331	1	LEAD, GROUND		Sus. by 162010- 38332	
17		162010-38332	1	LEAD, GROUND			
18		163804-38930	1	BRACKET, SWITCH		Sus. by 163804- 38935	
18		163804-38931	1	BRACKET, SWITCH		Sus. by 163804- 38935	
18		163804-38932	1	BRACKET, SWITCH		Sus. by 163804- 38935	
18		163804-38933	1	BRACKET, SWITCH		Sus. by 163804- 38935	

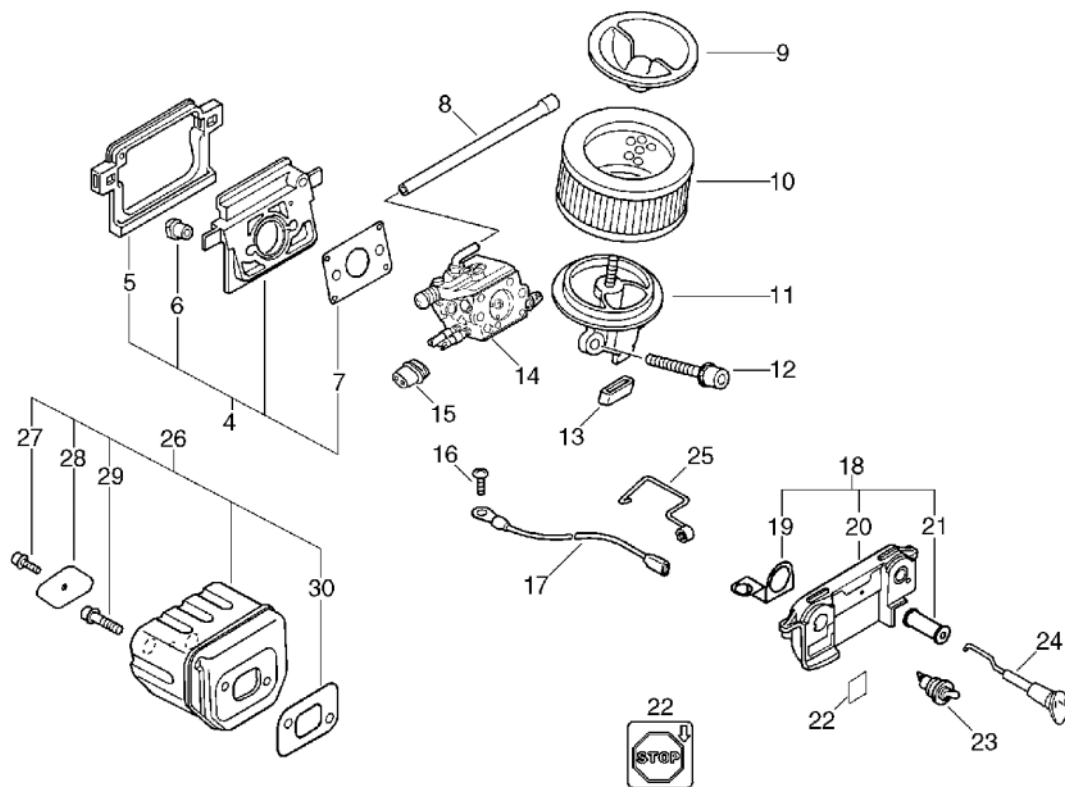


2. Air Cleaner, Muffler



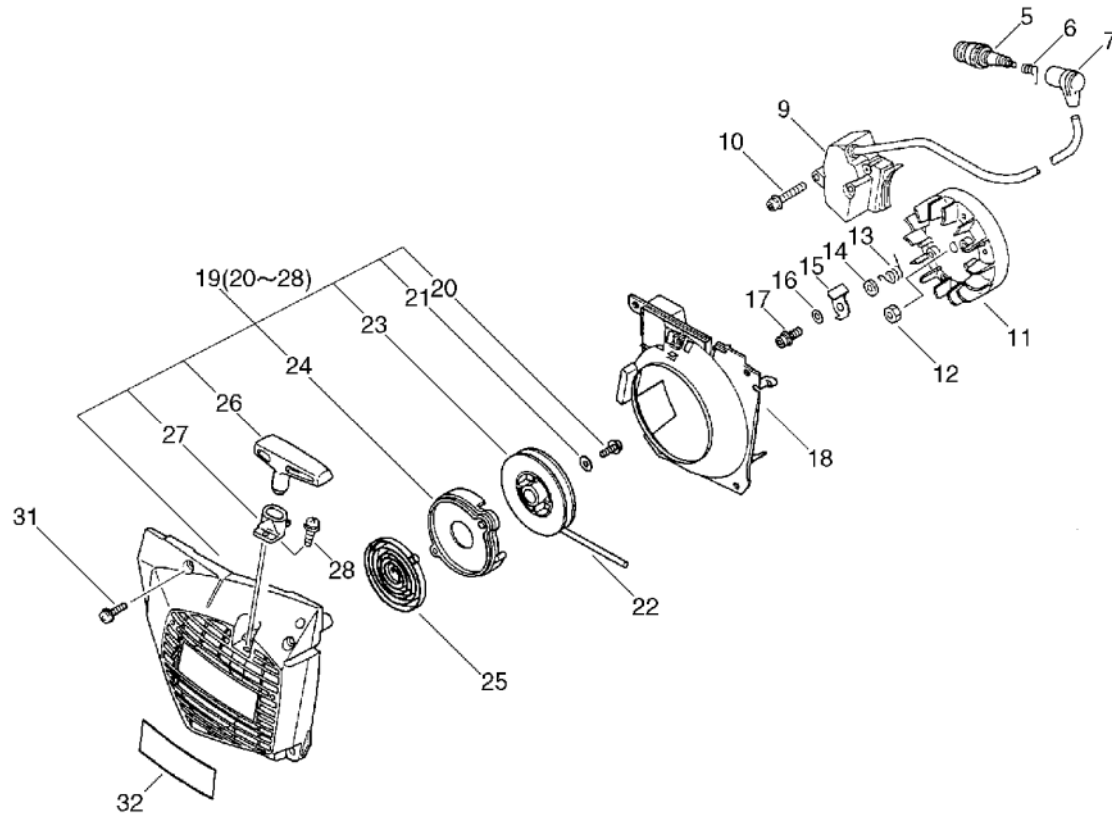
KEY	LV	PART NUMBER	Q'TY	DESCRIPTION	REMARKS	NOTE1	NOTE2
18		163804-38934	1	BRACKET, SWITCH		Sus. by 163804-38935	
18		163804-38935	1	BRACKET, SWITCH			
19	+	163413-38930	1	PLATE, SWITCH			
20	+	163810-38931	1	BRACKET, SWITCH		Sus. by 163810-38933	
20	+	163810-38932	1	BRACKET, SWITCH		Sus. by 163810-38933	
20	+	163810-38933	1	BRACKET, SWITCH			
21	+	178810-14531	1	GROMMET, CHOKE		Sus. by 178810-14534	
21	+	178810-14532	1	GROMMET		Sus. by 178810-14534	
21	+	178810-14533	1	GROMMET		Sus. by 178810-14534	
21	+	178810-14534	1	GROMMET			
22		890157-39130	1	LABEL, SWITCH			
23		163400-38330	1	SWITCH, IGNITION			
24		A241-000000	1	KNOB, CHOKE		Sus. by A241-000100	
24		178510-38331	1	ROD, CHOKE		Sus. by A241-000100	
24		A241-000100	1	KNOB, CHOKE		Sus. by A241-000101	
25		C454-000030	1	ROD, THROTTLE		Sus. by C454-000041	

## 2. Air Cleaner, Muffler



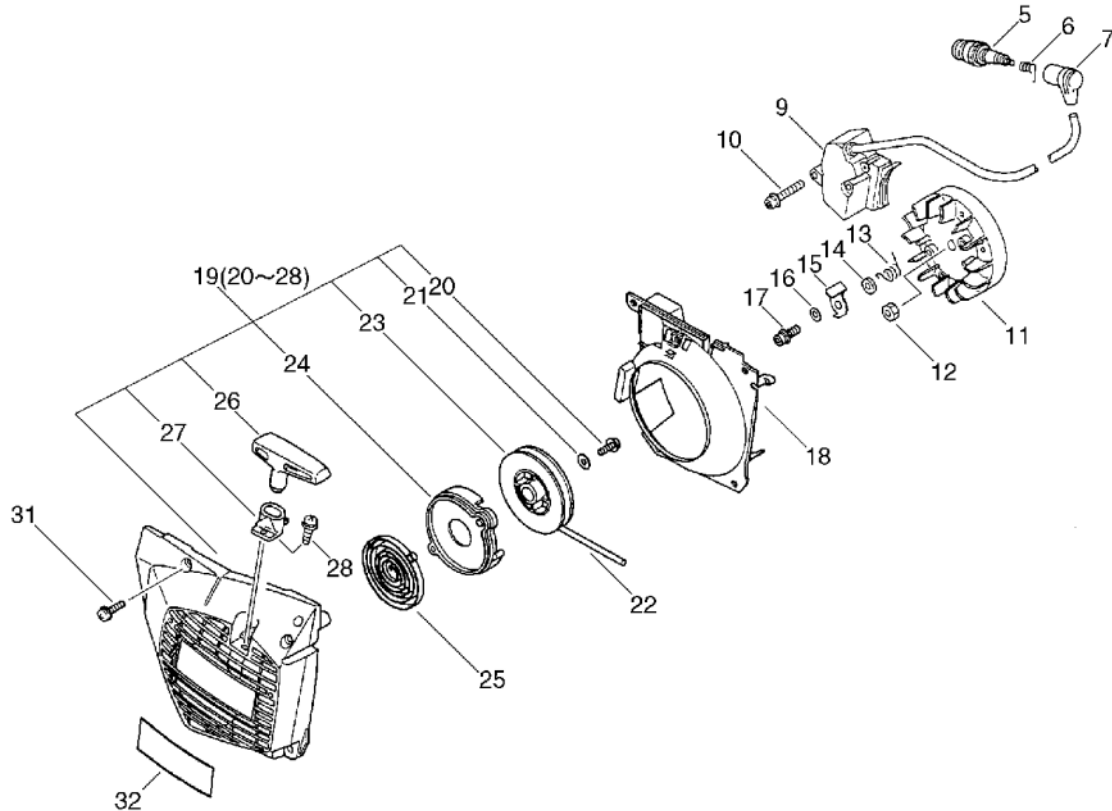
KEY	LV	PART NUMBER	Q'TY	DESCRIPTION	REMARKS	NOTE1	NOTE2
25		C454-000040	1	ROD,THROTTLE		Sus. by C454-000041	
25		C454-000041	1	ROD,THROTTLE			
26		145600-38330	1	MUFFLER ASSY		Sus. by P021-008610	
26		145600-38331	1	MUFFLER ASY		Sus. by P021-008610	
26		145600-38332	1	MUFFLER ASY		Sus. by P021-008610	
26		145600-38333	1	MUFFLER ASY		Sus. by P021-008610	
26		P021-008610	1	MUFFLER ASY			
27	+	900105-04006	1	BOLT, H.S. 4*6	4*6		
28	+	145711-35430	1	PLATE (BL)		Sus. by 145711-60631	
28	+	145711-60631	1	STAY, MUFFLER			
29	+	900105-05014	2	BOLT, H.S. 5*14	5*14		
30	+	145510-35431	1	GASKET, MUFFLER			

### 3. Starter, Magneto



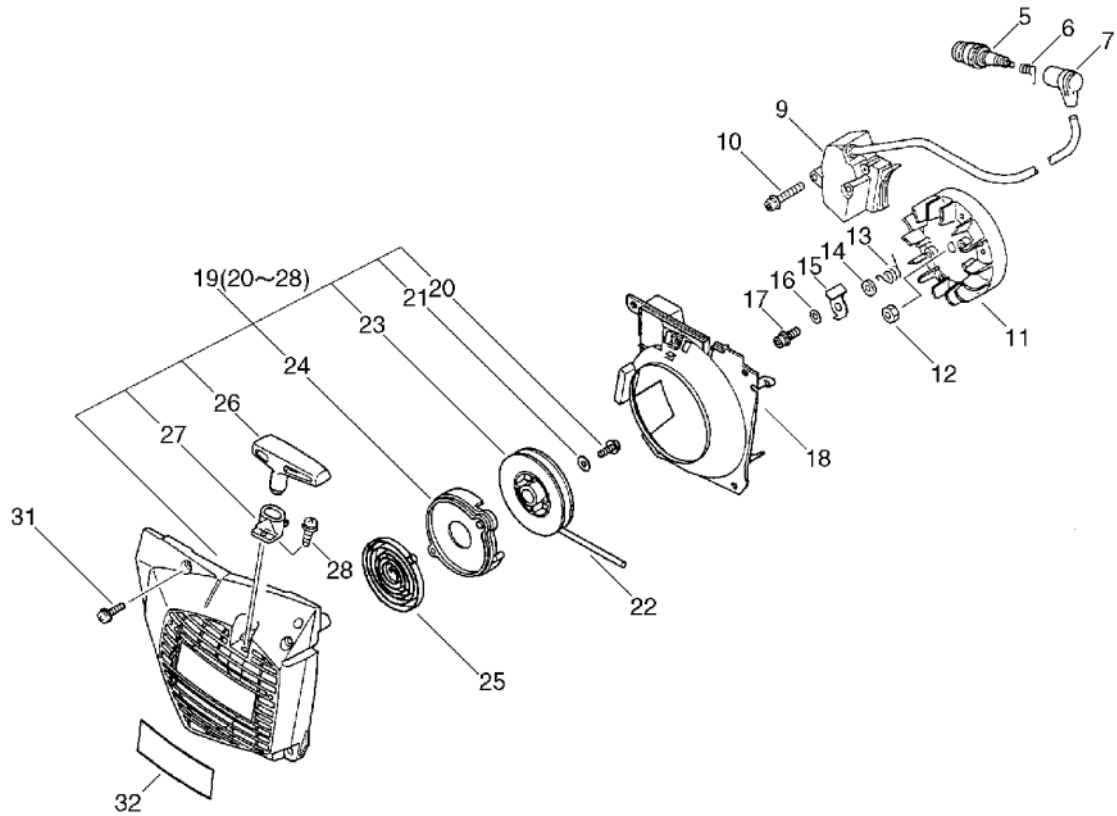
KEY	LV	PART NUMBER	Q'TY	DESCRIPTION	REMARKS	NOTE1	NOTE2
5		159017-31730	1	PLUG, SPARK RCJ-6Y	RCJ-6Y		
6		159011-03432	1	COIL, SPARK PLUG		Sr/Nr 36007690 and before	
6		A426-000010	1	TERMINAL, SPARK PLUG		Sr/Nr 36007691 and after	
6		159011-03432	1	COIL, SPARK PLUG		Sr/Nr 21001050 and before, CHINA	
6		A426-000010	1	TERMINAL, SPARK PLUG		Sr/Nr 21001051 and after, CHINA	
7		159012-01620	1	CAP, SPARK PLUG		Sr/Nr 36007690 and before	
7		A427-000012	1	CAP, SPARK PLUG		Sr/Nr 36007691 and after	
7		159012-01620	1	CAP, SPARK PLUG		Sr/Nr 21001050 and before, CHINA	
7		A427-000012	1	CAP, SPARK PLUG		Sr/Nr 21001051 and after, CHINA, Sus. by A427- 000013	
9		A411-000030	1	COIL, IGNITION		Sus. by A411- 000031	
9		A411-000031	1	COIL, IGNITION			

3. Starter, Magneto



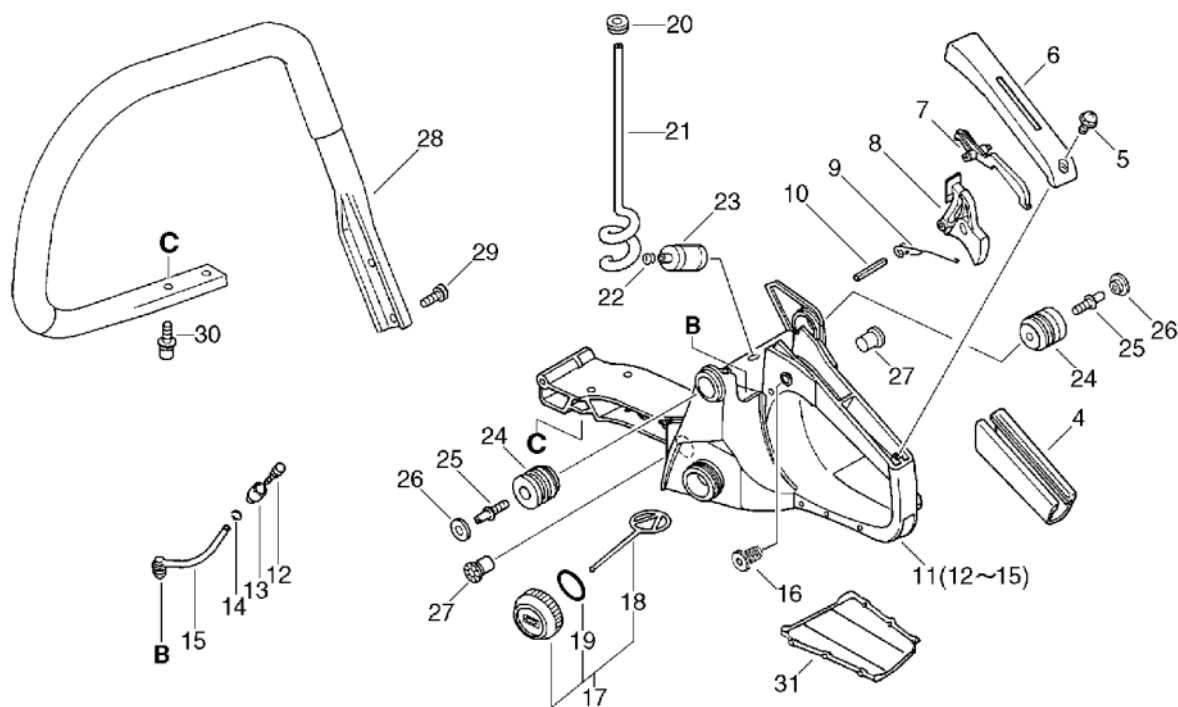
KEY	LV	PART NUMBER	Q'TY	DESCRIPTION	REMARKS	NOTE1	NOTE2
10		900162-04030	2	BOLT, H.S. 4*30	4*30 W.SW		
11		A409-000030	1	ROTOR,MAGNETO			
12		900515-00008	1	NUT, FLANGE 8	8		
13		177234-35430	2	SPRING, RETURN			
14		177247-04630	2	SPACER, RATCHET	5.2*8*2.1		
15		177218-19830	2	PAWL, STARTER			
16		900603-00005	2	WASHER 5	5.5*12*0.8		
17		900162-05014	2	BOLT, H.S. 5*14	5*14 W,SW	Sus. by V203-000090	
17		V203-000090	2	BOLT,5	M5*14		
18		A172-000060	1	COVER,FAN		Sus. by A172-000062	
18		A172-000061	1	COVER,FAN		Sus. by A172-000062	
18		A172-000062	1	COVER,FAN			
19		177200-38333	1	STARTER ASY		Sus. by 177200-38335	
19		177200-38334	1	STARTER ASY		Sus. by 177200-38335	
19		177200-38335	1	STARTER ASY			
20	+	900238-05012	1	SCREW 5*12	5*12		
21	+	177214-02830	1	WASHER	5.2*16*1.0T		
22	+	177226-38330	1	ROPE, STARTER	3.5*1000		
23	+	177215-38330	1	DRUM, STARTER			
24	+	177221-38330	1	PLATE, STARTER			
25	+	177220-35430	1	SPRING, REWIND			

### 3. Starter, Magneto



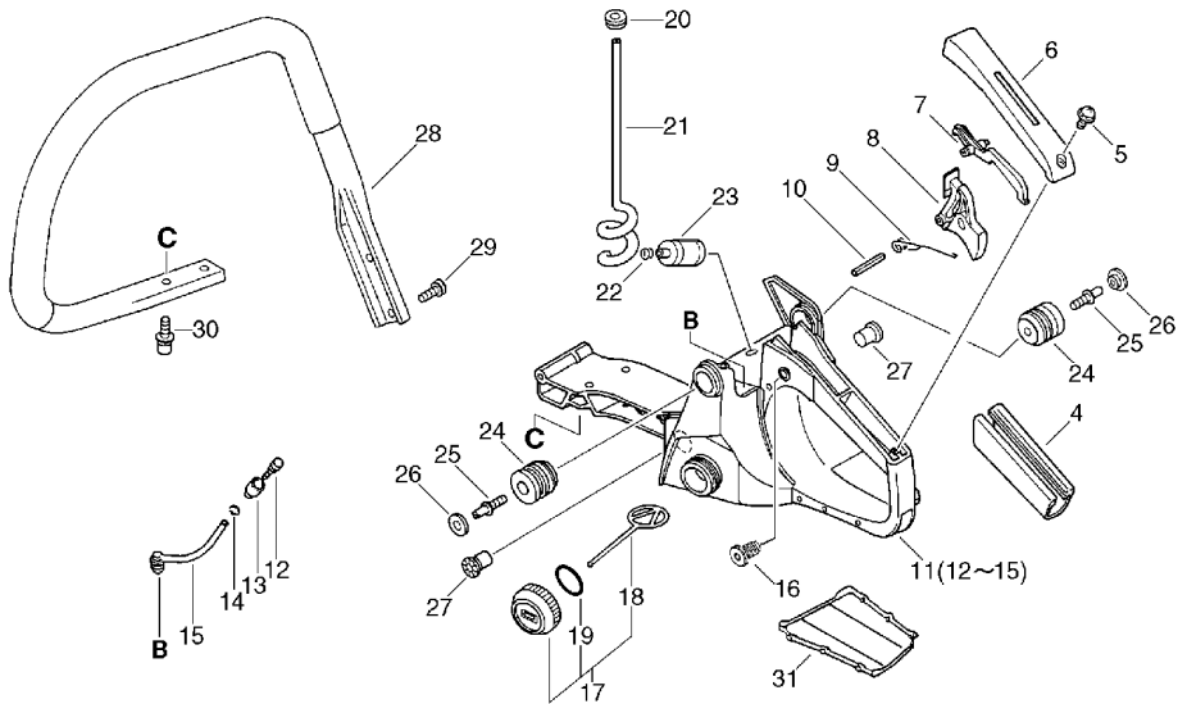
KEY	LV	PART NUMBER	Q'TY	DESCRIPTION	REMARKS	NOTE1	NOTE2
26	+	177228-35430	1	GRIP, STARTER (BL)			
27	+	177227-37930	1	GUIDE, ROPE			
28	+	900296-03014	1	SCREW 3*14	3*14 SUS		
31		900238-05018	4	SCREW 5*18	5*18		
32		X502-000010	1	LABEL,ECHO			

4. Handle



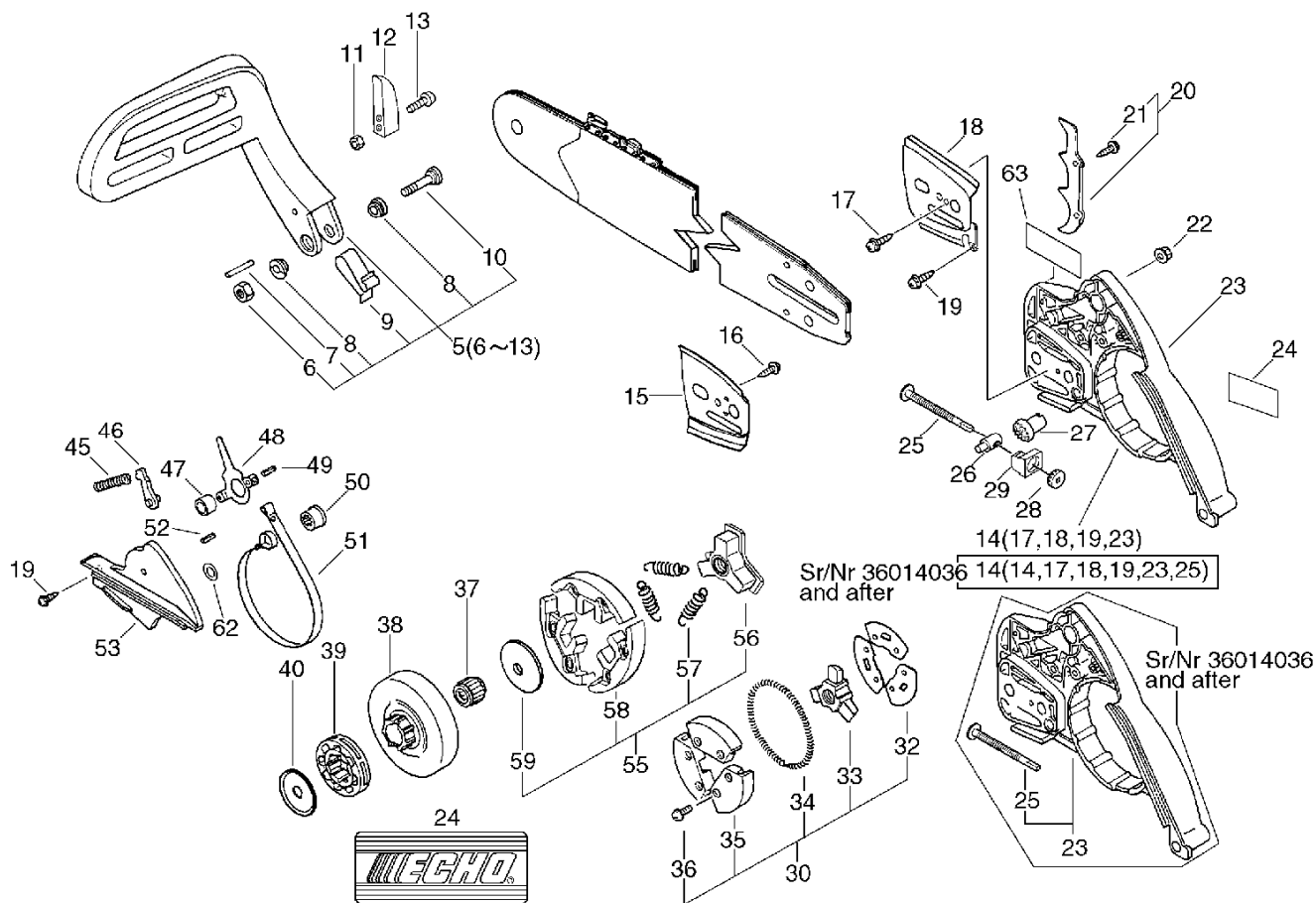
KEY	LV	PART NUMBER	Q'TY	DESCRIPTION	REMARKS	NOTE1	NOTE2
4		351111-19830	1	GRIP, HANDLE			
5		900253-04014	1	SCREW 4*14	4*14		
6		351155-35430	1	COVER, HANDLE (BL)			
7		178090-37930	1	LOCKOUT, T. CONTROL			
8		C450-000000	1	TRIGGER, THROTTLE			
9		178043-35430	1	SPRING, THR.RETURN		Sus. by V452-000260	
10		900345-40030	1	PIN, SPRING 4*30SUS	4*30SUS		
11		351101-38332	1	HANDLE ASY, REAR		Sus. by P021-011470	
11		P021-011470	1	HANDLE ASY, REAR		Sus. by P021-011471	
11		P021-011471	1	HANDLE ASY, REAR		Sus. by P021-011472	
12	+	131300-56430	1	VALVE, CHECK			
13	+	131328-40630	1	COVER, VENT			
14	+	132013-26630	1	CLIP	6.5MM		
15	+	132012-39330	1	PIPE, W/GROMMET	L105 NBR	Sus. by 132012-39331	
16		V162-000040	1	PLUG			
17		131004-37931	1	CAP ASSY, FUEL TANK		Sus. by 131004-37932	
17		131004-37932	1	CAP ASY, FUEL			
18	+	131051-19830	1	LINK	60L	Sus. by A365-000050	
18	+	A365-000050	1	CONNECTOR,CAP			

4. Handle



KEY	LV	PART NUMBER	Q'TY	DESCRIPTION	REMARKS	NOTE1	NOTE2
19	+	900720-00022	1	O-RING 22	P-22		
20		132115-04920	1	GROMMET			
21		132010-38330	1	PIPE, FUEL	3*6	Sus. by 132010-38331	
21		132010-38331	1	PIPE	3*6*165		
22		132013-26630	1	CLIP	6.5MM		
23		131205-19830	1	STRAINER, FUEL		Sus. by 131205-19831	
24		100921-38330	2	CUSHION			
25		100915-32530	2	BOLT			
26		100918-38330	2	CAP, CUSHION			
27		100910-38330	2	CUSHION			
28		C400-000010	1	HANDLE,FRONT			
29		91145-05020	2	BOLT HS TAPPING	5*20		
30		91145-05016	2	BOLT HS TAPPING	5*16		
31		351155-38430	1	COVER, HANDLE			

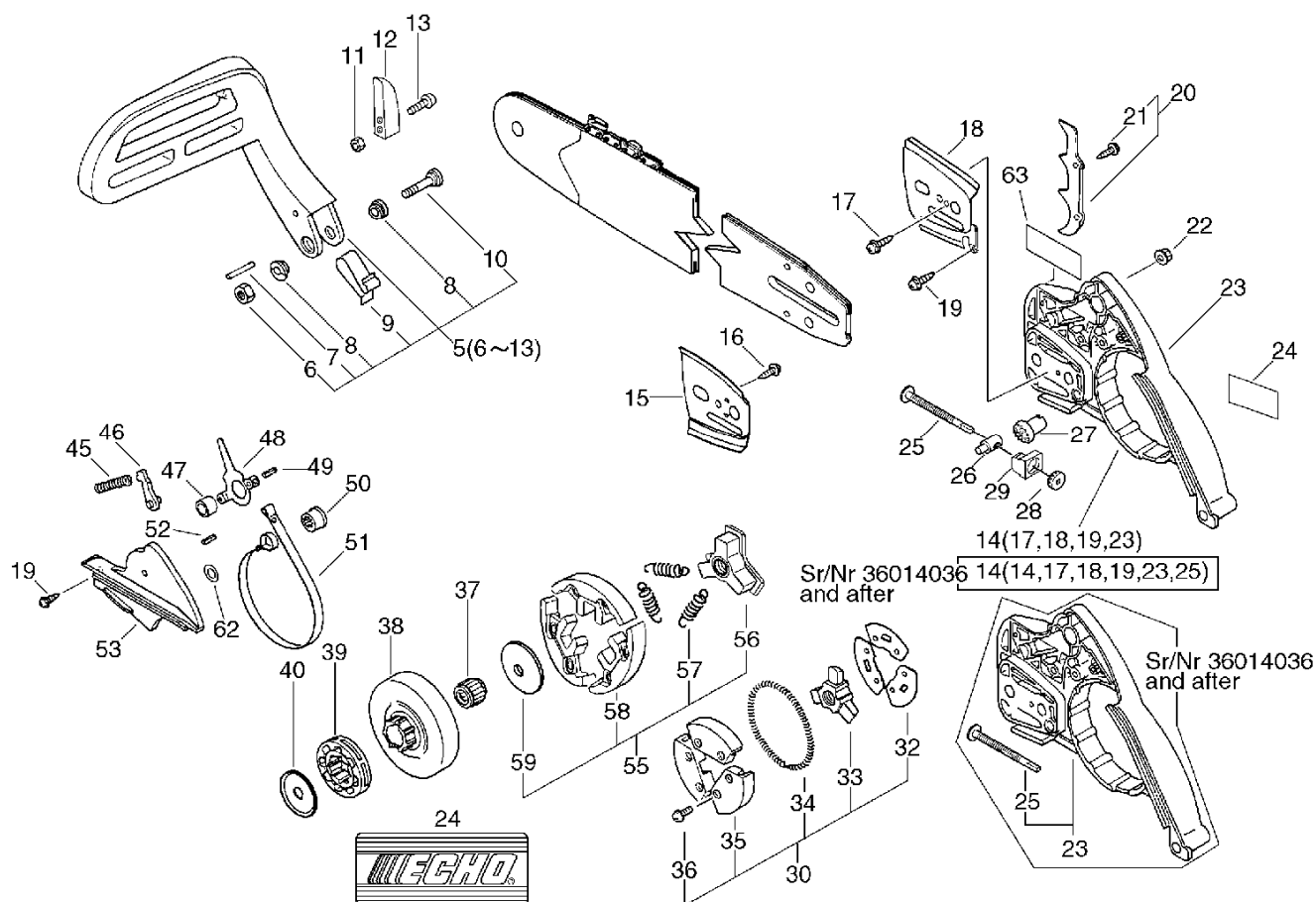
### 5. Clutch, Sprocket



KEY	LV	PART NUMBER	Q'TY	DESCRIPTION	REMARKS	NOTE1	NOTE2
5		433201-39331	1	LEVER ASSY, BRAKE			Sus. by 433201-39332
5		433201-39332	1	LEVER ASY, BRAKE			
6	+	900560-00005	1	NUT, LOCK 5	5		Sus. by 900562-50005
6	+	900562-50005	1	LOCKNUT 5	5		
7	+	900330-30240	1	PIN 3*24	3*23.8		
8	+	433167-39130	2	SPACER			
9	+	433114-38331	1	SPRING			
10	+	900209-05030	1	SCREW, 5*30	5*30		Sus. by 91318-05032
10	+	91318-05032	1	SCREW	5*32		
11	+	900500-00004	2	NUT 4	4		
12	+	433171-39330	1	WEIGHT, BRAKE			
13	+	900238-04018	2	SCREW 4*18	4*18		
23		433005-38932	1	GUARD, SPROCKET			Sus. by P021-001290
14		P021-001290	1	GUARD, SPROCKET SET			Sr/Nr 36014035 and before
14		P021-001291	1	GUARD, SPROCKET SET			Sr/Nr 36014036 and after
17	+	900220-03006	1	SCREW 3*6	3*6		
18	+	C305-000000	1	PLATE, SPROCKET GUARD			Sus. by C305-000001
18	+	C305-000001	1	PLATE, SPROCKET GUARD			
19	+	900253-04010	1	SCREW 4*10	4*10		

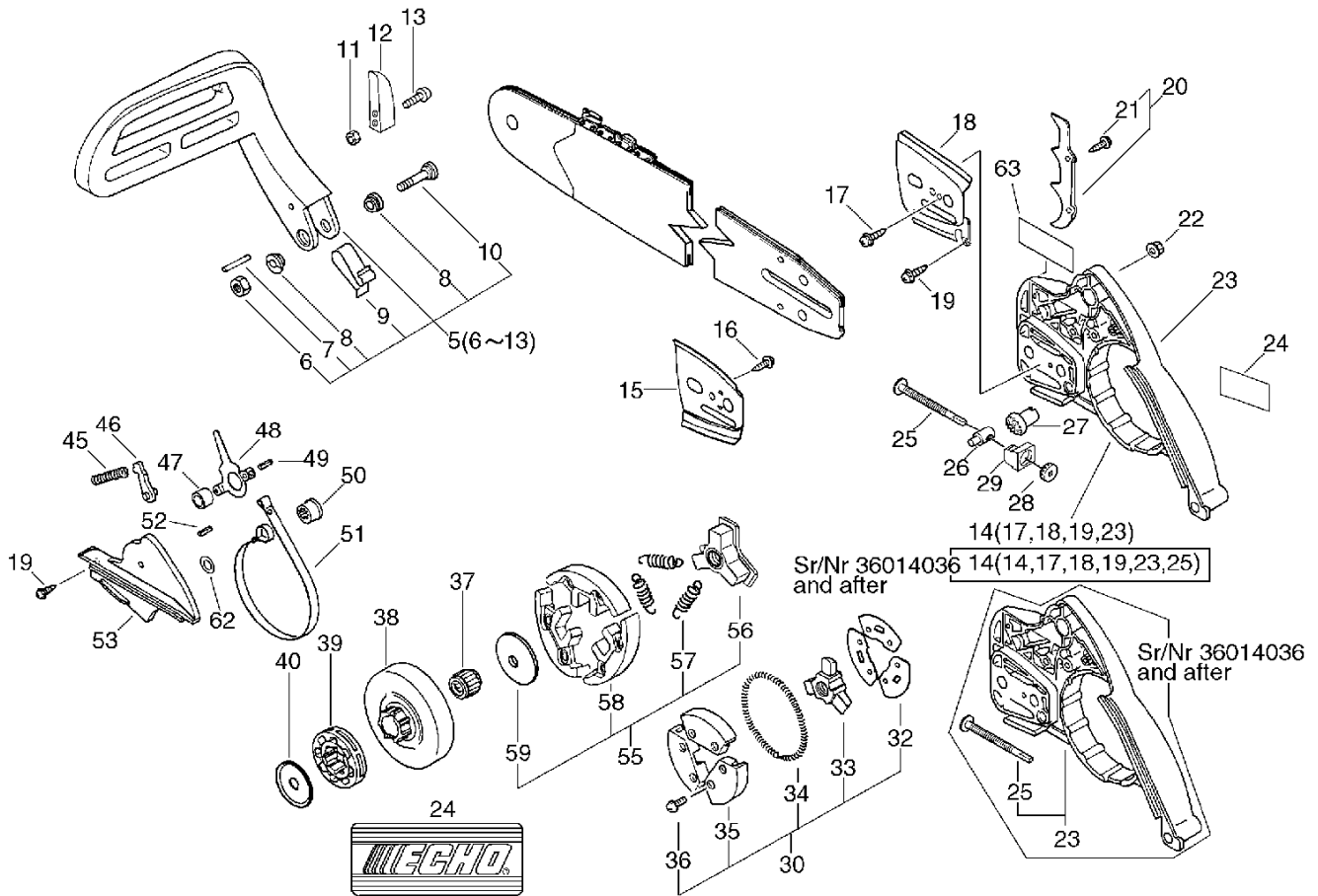


## 5. Clutch, Sprocket



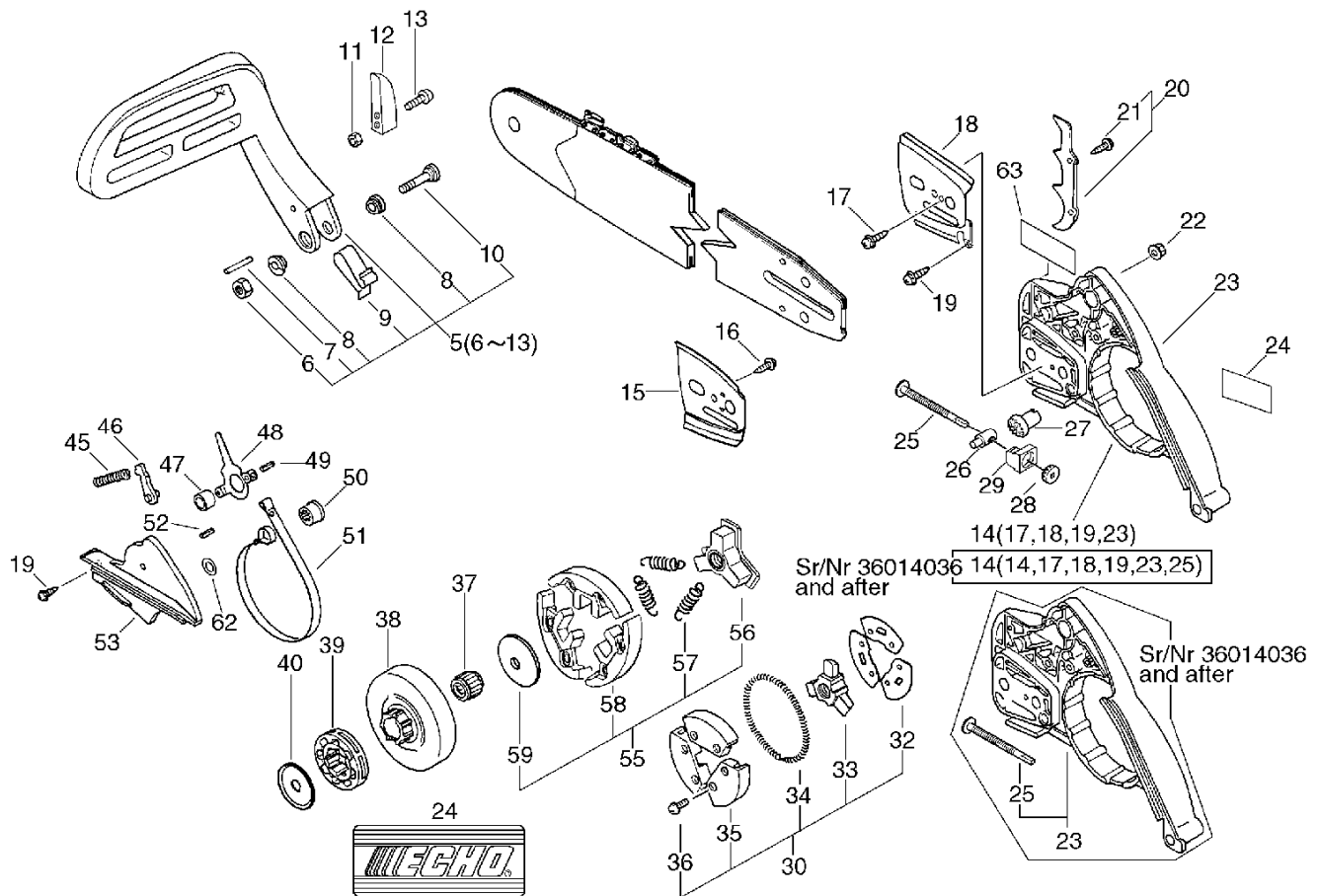
KEY	LV	PART NUMBER	Q'TY	DESCRIPTION	REMARKS	NOTE1	NOTE2
23	+	433005-38933	1	GUARD, SPROCKET		Sr/Nr 003151 to 36014035	
23	+	P021-010160	1	GUARD, SPROCKET KIT		Sr/Nr 36014036 and after Sus. by P021-010161	
25	++	V203-000110	1	BOLT,5		Sr/Nr 36014036 and after	
15		433013-37330	1	PLATE, GUIDE		Sus. by 433013-35431	
15		433013-35431	1	PLATE, GUIDE (INNER)		Sus. by 433013-35432	
16		900220-04006	1	SCREW 4*6	4*6		
19		900253-04010	2	SCREW 4*10	4*10		
20		880200-38330	1	BUMPER, SPIKED KIT			
21	+	900105-05012	2	BOLT, H.S. 5*12	5*12		
22		433019-12330	2	NUT, FLANGE 8	M-8		
24		X502-000000	1	LABEL,ECHO			
25		V203-000040	1	BOLT,5		Sus. by V203-000041	
25		V203-000041	1	BOLT,5		Sr/Nr 36014035 and before	
26		433014-60930	1	TENSIONER, CHAIN		Sus. by C309-000030	
26		C309-000030	1	TENSIONER,CHAIN			

5. Clutch, Sprocket



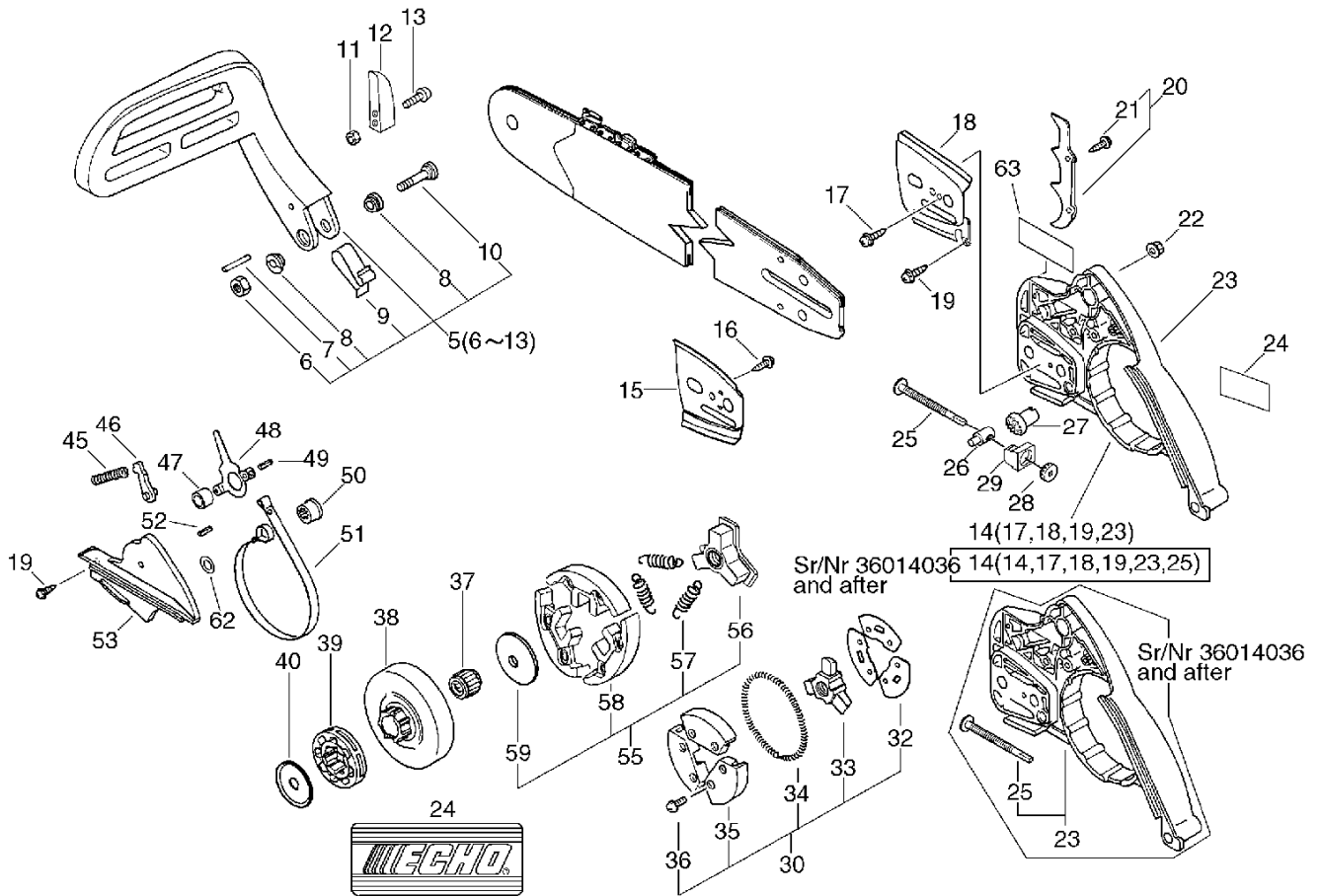
KEY	LV	PART NUMBER	Q'TY	DESCRIPTION	REMARKS	NOTE1	NOTE2
27		V651-000000	1	GEAR,BEVEL		Sus. by V651-000001	
27		V651-000001	1	GEAR,BEVEL			
28		V651-000010	1	GEAR,BEVEL		Sus. by V651-000011	
28		V651-000011	1	GEAR,BEVEL			
29		V355-000030	1	COLLAR,8		Sus. by V355-000270	
29		V355-000270	1	COLLAR,8			
30		175000-37531	1	CLUTCH ASSY		Sr/Nr 016301 and before	
32	+	175019-19830	3	PLATE, CLUTCH		Sr/Nr 016301 and before	
33	+	175016-19830	1	HUB, CLUTCH		Sr/Nr 016301 and before	
34	+	175018-19830	1	SPRING, CLUTCH		Sr/Nr 016301 and before	
35	+	175002-19830	1	SHOE, CLUTCH		Sr/Nr 016301 and before	
36	+	900105-04006	6	BOLT, H.S. 4*6	4*6	Sr/Nr 016301 and before	
37		V557-000000	1	BEARING,NEEDLE 12	12*15*10	Sus. by V557-000010	
37		V557-000010	1	BEARING,NEEDLE 12	8Q-K12*15*10		
38		A556-000020	1	DRUM,CLUTCH		Sus. by A556-000021	

### 5. Clutch, Sprocket



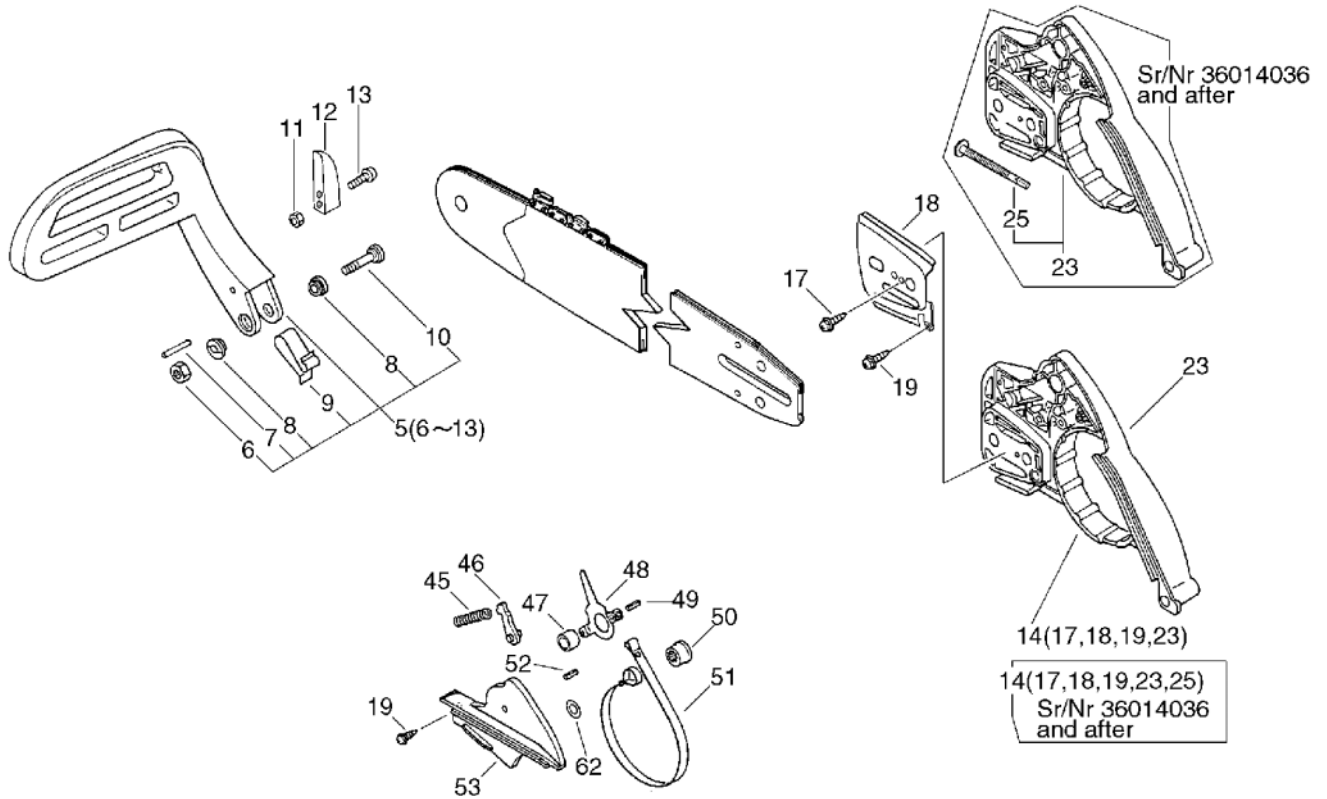
KEY	LV	PART NUMBER	Q'TY	DESCRIPTION	REMARKS	NOTE1	NOTE2
39		175114-12530	1	SPROCKET, RIM .325			
40		A551-000000	1	PLATE,CLUTCH	12*24.5*2.3		
45		433122-35430	1	SPRING, BRAKE			
46		433209-35430	1	STOPPER, BRAKE			
47		433115-38330	1	WASHER 5.2*12*14	5.2*12*14		
48		433208-35431	1	LEVER, BRAKE			
49		900330-40088	1	ROLLER 4*8.8	4*8.8		
50		433142-35430	1	ADJUSTER, BRAKE			
51		433123-35430	1	BAND, BRAKE		Sus. by C328-000060	
51		C328-000060	1	BAND, BRAKE			
52		900342-25012	1	PIN, SPRING 2.5*12	2.5*12		
53		433310-38330	1	COVER, BRAKE			
55		P021-007070	1	CLUTCH ASY W/PLATE		Sr/Nr 016302 and after, Sus. by P021-007071	
56	+	A552-000050	1	HUB,CLUTCH		Sr/Nr 016302 and after, Sus. by A552-000090	
57	+	V451-000500	3	SPRING,TENSION		Sr/Nr 016302 and after	
58	+	P021-007050	1	CLUTCH SHOE SET		Sr/Nr 016302 and after	

## 5. Clutch, Sprocket



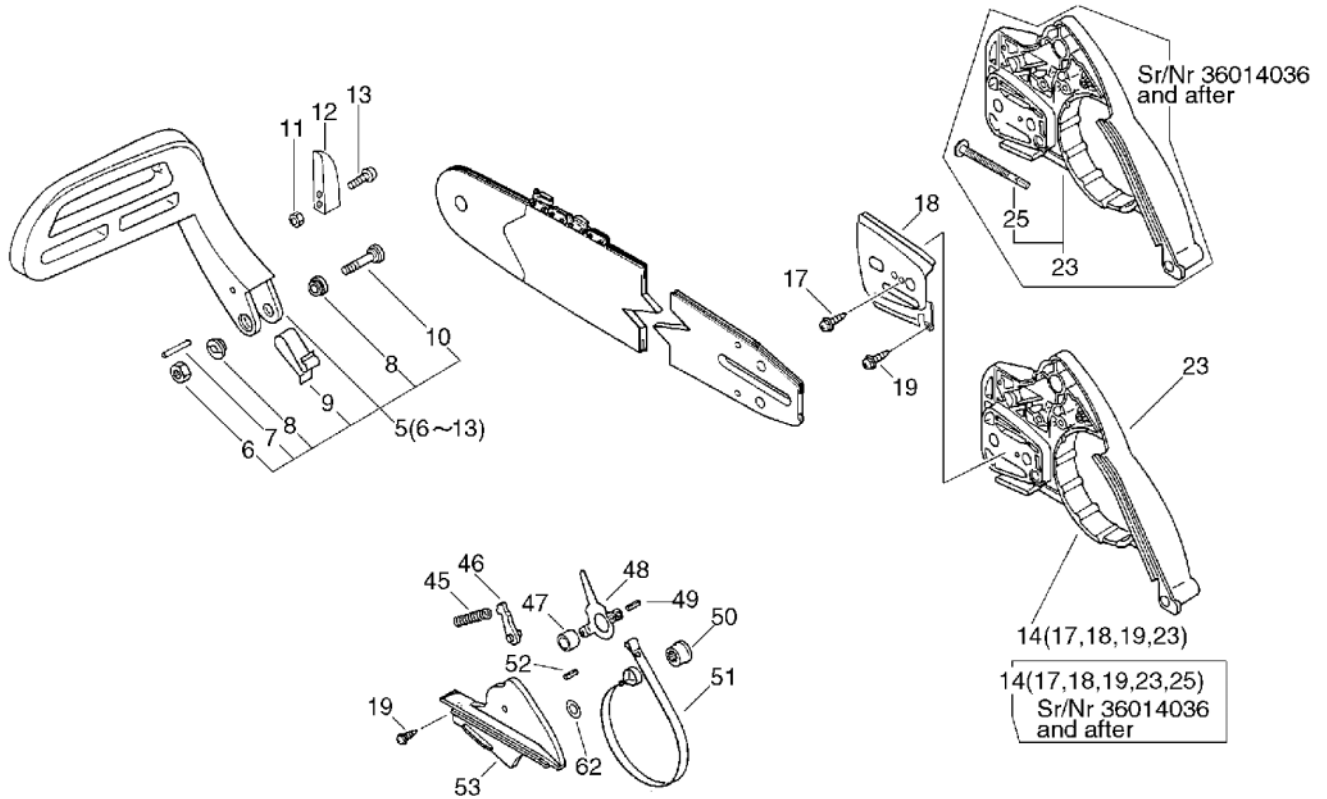
KEY	LV	PART NUMBER	Q'TY	DESCRIPTION	REMARKS	NOTE1	NOTE2
59	+	A551-000060	1	PLATE,CLUTCH		Sr/Nr 016302 and after	
62		V304-000090	1	WASHER,CIRCULAR 6		Sr/Nr 36002911 and after	
63		X505-002340	1	LABEL,CAUTION		CHINA	

6. Chain Brake Asy



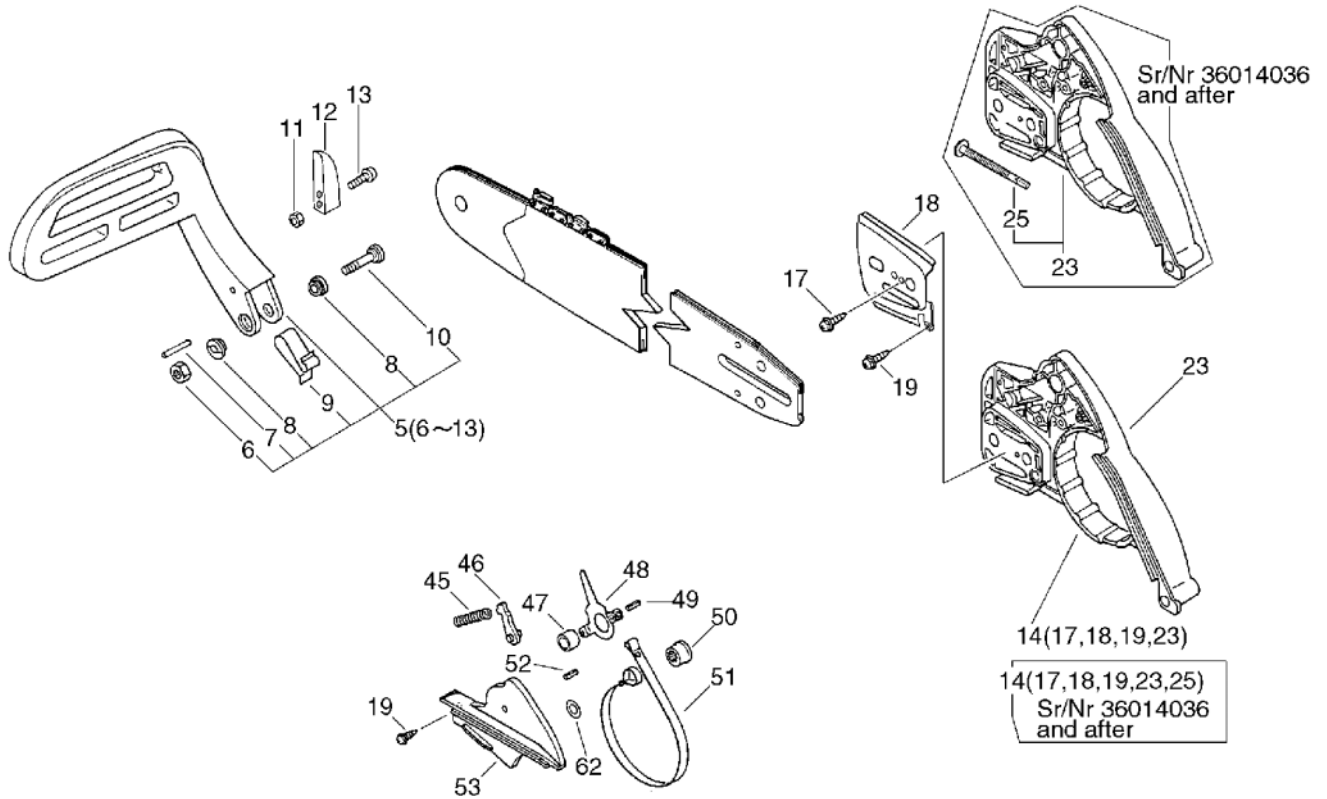
KEY	LV	PART NUMBER	Q'TY	DESCRIPTION	REMARKS	NOTE1	NOTE2
		433100-38932	1	BRAKE ASY, CHAIN		Sus. by 433100-38936	
		433100-38933	1	BRAKE ASY, CHAIN		Sus. by 433100-38936	
		433100-38934	1	BRAKE ASY, CHAIN		Sus. by 433100-38936	
		433100-38935	1	BRAKE ASY, CHAIN		Sus. by 433100-38936	
		433100-38936	1	BRAKE ASY, CHAIN		Sr/Nr 36014035 and before	
		433100-38937	1	BRAKE ASY, CHAIN		CHINA	
		P021-010130	1	BRAKE,ASM CHAIN		Sr/Nr 36014036 and after Sus. by P021-010131	
		P021-010131	1	BRAKE,ASM CHAIN			
5	+	433201-39331	1	LEVER ASSY, BRAKE		Sus. by 433201-39332	
5	+	433201-39332	1	LEVER ASY, BRAKE			
6	++	900560-00005	1	NUT, LOCK 5	5	Sus. by 900562-50005	
6	++	900562-50005	1	LOCKNUT 5	5		
7	++	900330-30240	1	PIN 3*24	3*23.8		
8	++	433167-39130	2	SPACER			
9	++	433114-38331	1	SPRING			

6. Chain Brake Asy



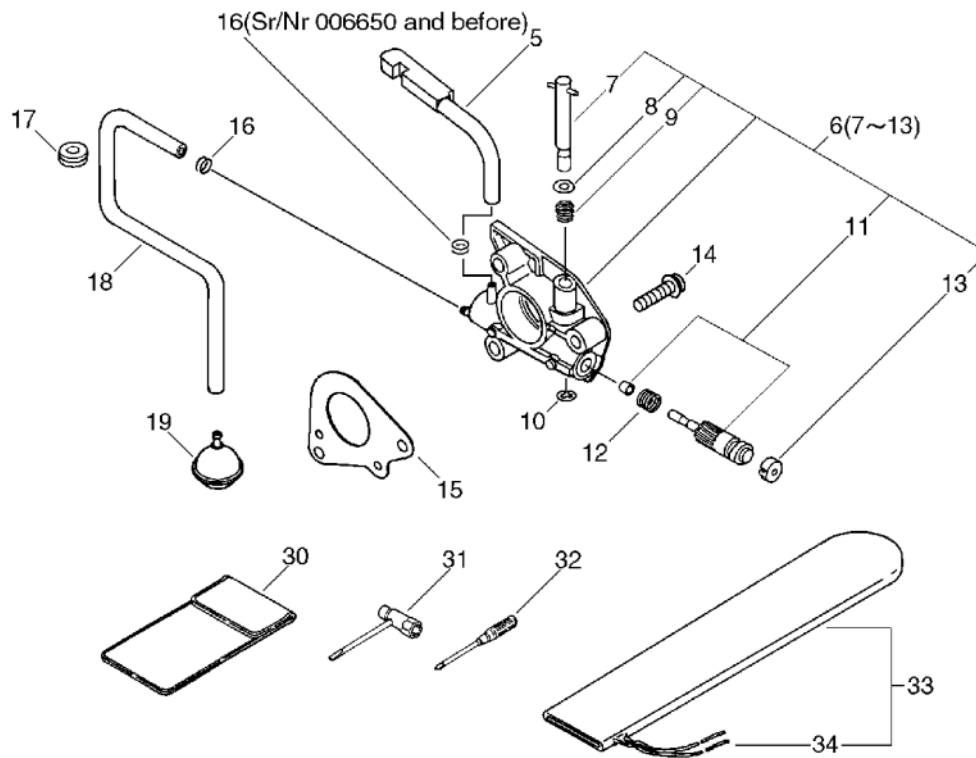
KEY	LV	PART NUMBER	Q'TY	DESCRIPTION	REMARKS	NOTE1	NOTE2
10	++	900209-05030	1	SCREW, 5*30	5*30	Sus. by 91318-05032	
10	++	91318-05032	1	SCREW	5*32		
11	++	900500-00004	2	NUT 4	4		
12	++	433171-39330	1	WEIGHT, BRAKE			
13	++	900238-04018	2	SCREW 4*18	4*18		
23	+	433005-38932	1	GUARD, SPROCKET		Sus. by P021-001290	
14	+	P021-001290	1	GUARD, SPROCKET SET		Sr/Nr 36014035 and before	
14	+	P021-001291	1	GUARD, SPROCKET SET		Sr/Nr 36014036 and after	
17	++	900220-03006	1	SCREW 3*6	3*6		
18	++	C305-000000	1	PLATE, SPROCKET GUARD		Sus. by C305-000001	
18	++	C305-000001	1	PLATE, SPROCKET GUARD			
19	++	900253-04010	1	SCREW 4*10	4*10		
23	++	433005-38933	1	GUARD, SPROCKET		Sr/Nr 003151 to 36014035	
23	++	433005-38934	1	GUARD, SPROCKET		CHINA Sus. by P021-010160	
23	++	P021-010160	1	GUARD, SPROCKET KIT		Sr/Nr 36014036 and after Sus. by P021-010161	

6. Chain Brake Asy



KEY	LV	PART NUMBER	Q'TY	DESCRIPTION	REMARKS	NOTE1	NOTE2
25	+++	V203-000110	1	BOLT,5		Sr/Nr 36014036 and after	
19	+	900253-04010	2	SCREW 4*10	4*10		
45	+	433122-35430	1	SPRING, BRAKE			
46	+	433209-35430	1	STOPPER, BRAKE			
47	+	433115-38330	1	WASHER 5.2*12*14	5.2*12*14		
48	+	433208-35431	1	LEVER, BRAKE			
49	+	900330-40088	1	ROLLER 4*8.8	4*8.8		
50	+	433142-35430	1	ADJUSTER, BRAKE			
51	+	433123-35430	1	BAND, BRAKE		Sus. by C328- 000060	
51	+	C328-000060	1	BAND, BRAKE			
52	+	900342-25012	1	PIN, SPRING 2.5*12	2.5*12		
53	+	433310-38330	1	COVER, BRAKE			
62	+	V304-000090	1	WASHER,CIRCULAR 6		Sr/Nr 36002911 and after	

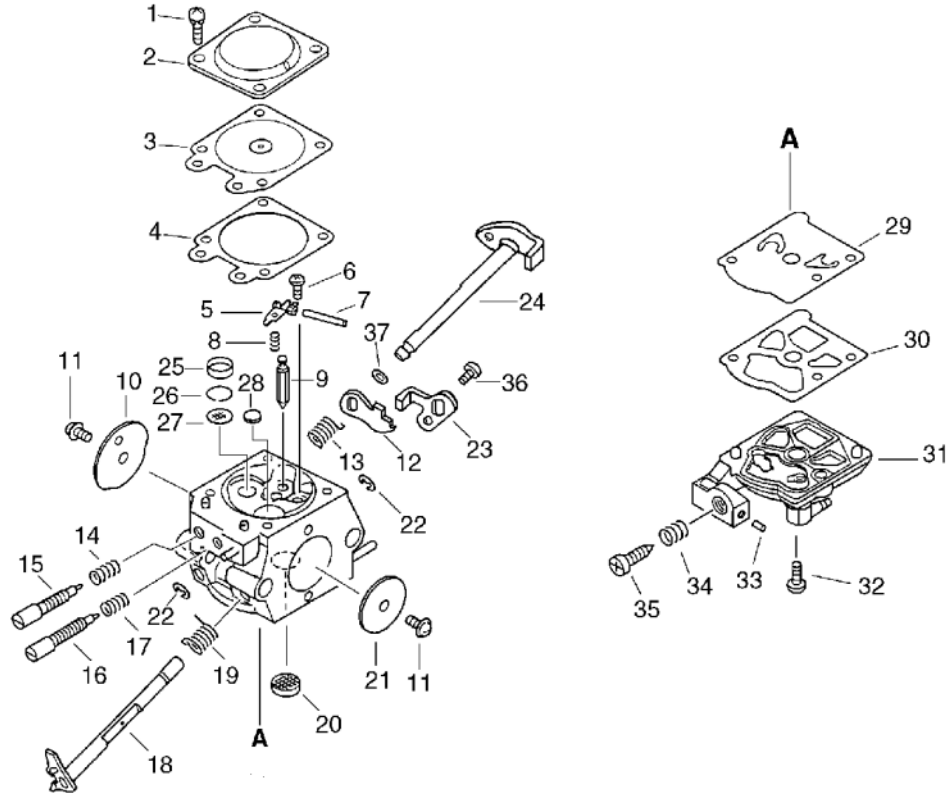
7. Auto-Oiler, Tools



KEY	LV	PART NUMBER	Q'TY	DESCRIPTION	REMARKS	NOTE1	NOTE2
5		437229-38331	1	PIPE			
6		437002-38330	1	AUTO-OILER ASSY			
7	+	437016-38330	1	NEEDLE, ADJUST			
8	+	437029-37330	1	WASHER			
9	+	437015-37330	1	SPRING			
10	+	123127-15030	1	RING			
11	+	437024-37330	1	PLUNGER			
12	+	437019-38330	1	SPRING			
13	+	437062-38330	1	CAP, OIL PUMP			
14		900223-04016	2	SCREW	4*16		
15		175310-38330	1	PLATE, SEAL			
16		132013-26630	2	CLIP	6.5MM	Sr/Nr 006650 and before	
16		132013-26630	1	CLIP	6.5MM	Sr/Nr 006651 and after	
17		132115-12330	1	GROMMET			
18		437210-38330	1	PIPE, OIL			
19		436205-14730	1	STRAINER, OIL			
30		898510-39130	1	BAG, TOOL			
31		895410-02830	1	WRENCH, W/S. DRIVER		Sus. by X602-000080	
32		895811-00130	1	DRIVER, SCREW 125			
33		898548-14531	1	SCABBARD, CHAIN			
34	+	898568-14530	1	ROPE	5*900		

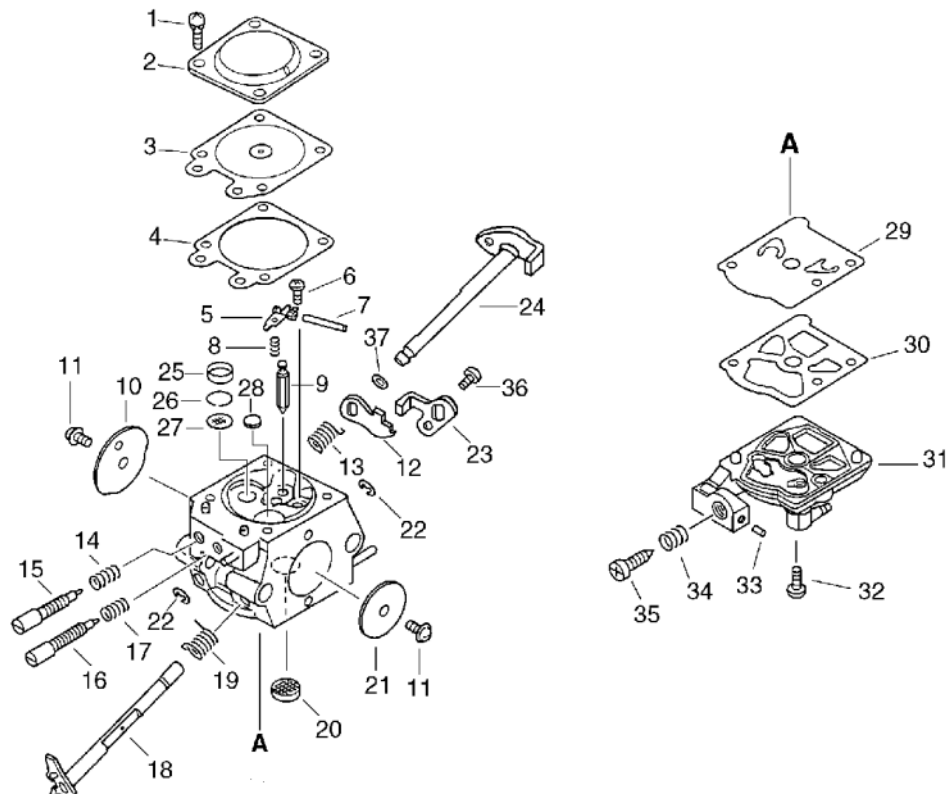


8. Carburetor(Sr/Nr 010100 and before)



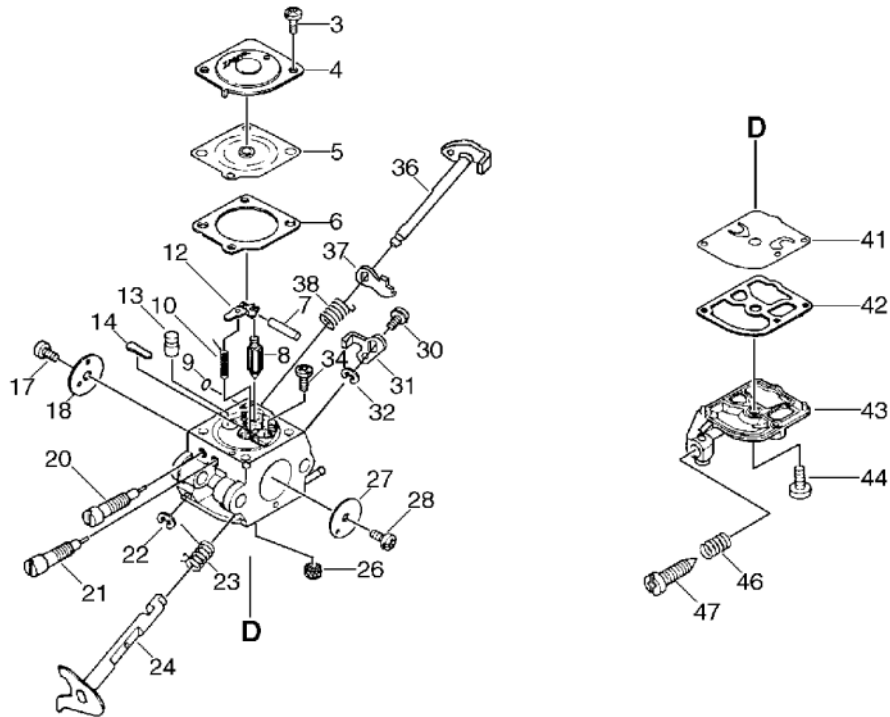
KEY	LV	PART NUMBER	Q'TY	DESCRIPTION	REMARKS	NOTE1	NOTE2
		A021-000100	1	CARBURETOR,DIAPHRAGM	WT-575 W/A CHOKE		
1	+	123130-02960	4	SCREW			
2	+	123142-03930	1	COVER, M. DIAPHRAGM			
3	+	123141-03930	1	DIAPHRAGM, METERING			
4	+	123140-03930	1	GASKET, M. DIAPHRAGM			
5	+	123123-38330	1	LEVER, METERING			
6	+	123139-03930	1	SCREW, M. LEVER PIN			
7	+	123138-03930	1	PIN, METERING LEVER			
8	+	123122-39330	1	SPRING, METER. LEVER			
9	+	123137-19830	1	VALVE, INLET NEEDLE			
10	+	P003-000230	1	VALVE CHOKE			
11	+	123114-38830	2	SCREW			
12	+	P003-000160	1	LEVER-FAST IDLE			
13	+	P003-000140	1	SPRING			
14	+	123119-22130	1	SPRING, NEEDLE			
15	+	123120-38330	1	NEEDLE, HIGH SPEED			
16	+	123118-38330	1	NEEDLE, IDLE			
17	+	123121-22130	1	SPRING, NEEDLE			
18	+	P003-000120	1	SHAFT, THROTTLE			
19	+	123113-37530	1	SPRING, THROTTLE RTN			
20	+	123126-10631	1	SCREEN, INLET			
21	+	123116-10530	1	VALVE, THROTTLE			
22	+	123127-15030	2	RING			
23	+	P003-000130	1	THROTTLE, LEVER			
24	+	P003-000150	1	CHOKE, SHAFT			

8. Carburetor(Sr/Nr 010100 and before)



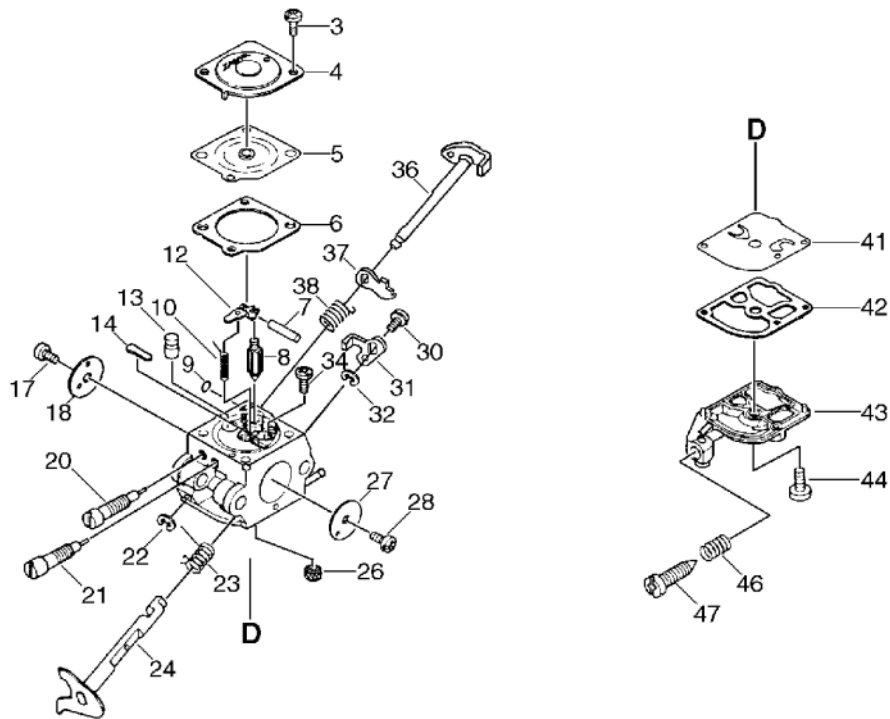
KEY	LV	PART NUMBER	Q'TY	DESCRIPTION	REMARKS	NOTE1	NOTE2
25	+	123146-17330	1	PLUG, CUP			
26	+	123169-10630	1	RING, RETAINING			
27	+	123168-10631	1	SCREEN			
28	+	123146-10631	1	PLUG, WELCH			
29	+	123112-15030	1	DIAPHRAGM, FUEL PUMP			
30	+	123125-15030	1	GASKET, FUEL PUMP			
31	+	123124-38330	1	COVER, FUEL PUMP			
32	+	123110-03930	1	SCREW, PUMP COVER			
33	+	123178-15030	1	PLUG, FRICTION			
34	+	123133-04260	1	SPRING, IDLE ADJUST			
35	+	123134-04260	1	SCREW, IDLE ADJUST			
36	+	123114-03930	1	SCREW		Sus. by 123114-38830	
36	+	123114-38830	1	SCREW			
37	+	123149-26030	1	WASHER			

9. Carburetor(Sr/Nr 010101 to 017776,CHINA)



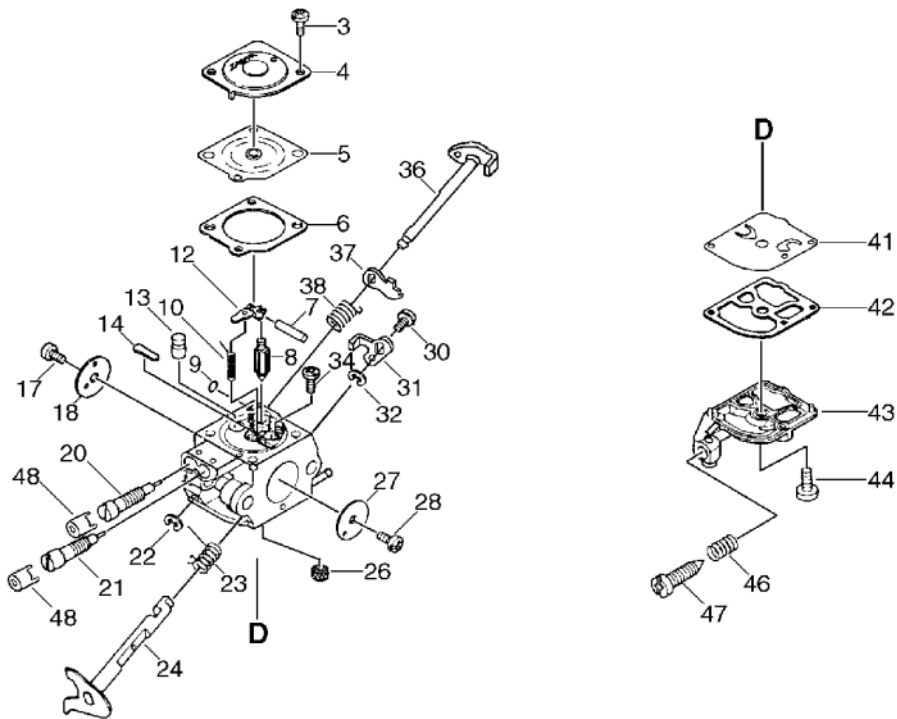
KEY	LV	PART NUMBER	Q'TY	DESCRIPTION	REMARKS	NOTE1	NOTE2
		A021-000560	1	CARBURETOR,DIAPHRAGM		Sus. by A021-000561	
		A021-000561	1	CARBURETOR,DIAPHRAGM	C1Q-K64A		
3	+	125344-52130	2	SCREW			
4	+	125342-13210	1	COVER, DIAPHRAGM			
5	+	125341-49030	1	DIAPHRAGM			
6	+	125340-42030	1	GASKET, DIAPHRAGM			
7	+	125338-13930	1	PIN, METERING ARM			
8	+	125337-08260	1	VALVE, INLET NEEDLE			
9	+	125345-13310	1	PLUG, WELCH			
10	+	125322-13930	1	SPRING, COIL			
12	+	125323-08260	1	ARM, VALVE			
13	+	P005-000770	1	NOZZLE CHECK VALVE			
14	+	125345-51030	1	PLUG, WELCH			
17	+	125314-51230	1	SCREW	3*4.5		
18	+	P005-000900	1	VALVE, CHOKE			
20	+	P005-000850	1	NEEDLE, HIGH SPEED			
21	+	P005-000840	1	NEEDLE, IDLE			
22	+	125327-15130	1	CLIP			
23	+	P005-000790	1	SPRING, THRT. RETURN			
24	+	P005-000780	1	SHAFT ASY, THROTTLE			
26	+	P005-000860	1	SCREEN, FUEL INLET			
27	+	P005-000810	1	VALVE, THROTTLE			
28	+	125314-13930	1	SCREW	3*4		
30	+	125348-13930	1	SCREW			
31	+	P005-000800	1	LEVER, THROTTLE			

9. Carburetor(Sr/Nr 010101 to 017776,CHINA)



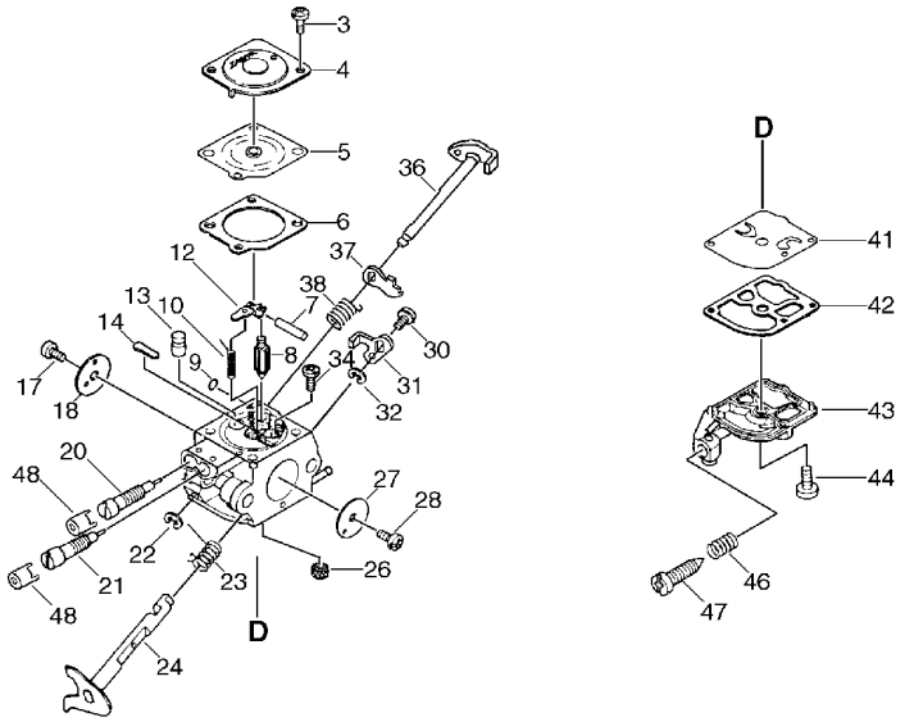
KEY	LV	PART NUMBER	Q'TY	DESCRIPTION	REMARKS	NOTE1	NOTE2
32	+	125327-13930	1	CLIP			
34	+	125339-13930	1	SCREW			
36	+	P005-000870	1	SHAFT, CHOKE		Sus. by P005-001310	
36	+	P005-001310	1	SHAFT, CHOKE			
37	+	P005-000890	1	LEVER, CHOKE		Sus. by P005-001300	
37	+	P005-001300	1	LEVER, CHOKE			
38	+	P005-000880	1	SPRING, CHOKE RETURN			
41	+	P005-000820	1	DIAPHRAGM, PUMP			
42	+	125325-08360	1	GASKET, PUMP			
43	+	P005-000830	1	COVER, PUMP			
44	+	125310-13930	1	SCREW			
46	+	125333-06960	1	SPRING, IDLE ADJUSTER			
47	+	125344-08560	1	SCREW			

10. Carburetor(Sr/Nr 36001001 and after)



KEY	LV	PART NUMBER	Q'TY	DESCRIPTION	REMARKS	NOTE1	NOTE2
		A021-001000	1	CARBURETOR,DIAPHRAGM	C1Q-K79		
3	+	125344-52130	2	SCREW			
4	+	125342-52130	1	COVER, DIAPHRAGM			
5	+	125341-49030	1	DIAPHRAGM			
6	+	125340-42030	1	GASKET, DIAPHRAGM			
7	+	125338-13930	1	PIN, METERING ARM			
8	+	125337-08260	1	VALVE, INLET NEEDLE			
9	+	125345-13310	1	PLUG, WELCH			
10	+	125322-13930	1	SPRING, COIL			
12	+	125323-08260	1	ARM, VALVE			
13	+	P005-000770	1	NOZZLE CHECK VALVE			
14	+	125345-51030	1	PLUG, WELCH			
17	+	125314-51230	1	SCREW	3*4.5		
18	+	P005-000900	1	VALVE, CHOKE			
20	+	P005-001830	1	SCREW,MAINN MIXTURE			
21	+	P005-001820	1	SCREW, IDLE MIXTURE			
22	+	125327-15130	1	CLIP			
23	+	P005-000790	1	SPRING, THRT. RETURN			
24	+	P005-000780	1	SHAFT ASY, THROTTLE			
26	+	P005-000860	1	SCREEN, FUEL INLET			
27	+	P005-000810	1	VALVE, THROTTLE			
28	+	125314-13930	1	SCREW	3*4		
30	+	125348-13930	1	SCREW			
31	+	P005-000800	1	LEVER, THROTTLE			
32	+	125327-13930	1	CLIP			
34	+	125339-13930	1	SCREW			

10. Carburetor(Sr/Nr 36001001 and after)



KEY	LV	PART NUMBER	Q'TY	DESCRIPTION	REMARKS	NOTE1	NOTE2
36	+	P005-001310	1	SHAFT, CHOKE			
37	+	P005-001300	1	LEVER, CHOKE			
38	+	P005-000880	1	SPRING, CHOKE RETURN			
41	+	P005-000820	1	DIAPHRAGM, PUMP			
42	+	125325-08360	1	GASKET, PUMP			
43	+	P005-000830	1	COVER, PUMP			
44	+	125310-13930	1	SCREW			
46	+	125333-06960	1	SPRING, IDLE ADJUSTER			
47	+	125344-08560	1	SCREW			
48	+	P005-001840	2	LIMITER KIT			

**Index**

<b>Patrs Number</b>	<b>Key No.</b>	<b>Patrs Number</b>	<b>Key No.</b>	<b>Patrs Number</b>	<b>Key No.</b>
100011-39730	1 - 8	123149-26030	8 - 37	130020-33330	2 - 6
100012-32330	1 - 12	123168-10631	8 - 27	130110-38330	2 - 8
100015-32330	1 - 10	123169-10630	8 - 26	130310-38330	2 - 10
100142-30830	1 - 17	123178-15030	8 - 33	130310-38331	2 - 10
100215-03930	1 - 23	125310-13930	10 - 44	130338-32430	1 - 24
100910-38330	4 - 27	125310-13930	9 - 44	130366-38330	2 - 5
100915-32530	4 - 25	125314-13930	10 - 28	130405-38331	2 - 9
100915-33930	1 - 31	125314-13930	9 - 28	130430-38330	2 - 13
100918-38330	1 - 30	125314-51230	10 - 17	130510-39932	1 - 2
100918-38330	4 - 26	125314-51230	9 - 17	131004-37931	4 - 17
100921-38330	1 - 32	125322-13930	10 - 10	131004-37932	4 - 17
100921-38330	4 - 24	125322-13930	9 - 10	131051-19830	1 - 47
101100-21360	1 - 53	125323-08260	10 - 12	131051-19830	4 - 18
101113-37530	1 - 54	125323-08260	9 - 12	131205-19830	4 - 23
101119-37530	1 - 55	125325-08360	10 - 42	131300-56430	4 - 12
101520-35430	1 - 25	125325-08360	9 - 42	131328-40630	4 - 13
101578-38431	1 - 29	125327-13930	10 - 32	132010-38330	4 - 21
104005-38332	1 - 33	125327-13930	9 - 32	132010-38331	4 - 21
104005-38333	1 - 33	125327-15130	10 - 22	132012-39330	4 - 15
104005-38334	1 - 33	125327-15130	9 - 22	132013-26630	4 - 14
123110-03930	8 - 32	125333-06960	10 - 46	132013-26630	4 - 22
123112-15030	8 - 29	125333-06960	9 - 46	132013-26630	7 - 16
123113-37530	8 - 19	125337-08260	10 - 8	132013-26630	7 - 16
123114-03930	8 - 36	125337-08260	9 - 8	132115-04920	4 - 20
123114-38830	8 - 11	125338-13930	10 - 7	132115-12330	7 - 17
123114-38830	8 - 36	125338-13930	9 - 7	145510-35431	2 - 30
123116-10530	8 - 21	125339-13930	10 - 34	145600-38330	2 - 26
123118-38330	8 - 16	125339-13930	9 - 34	145600-38331	2 - 26
123119-22130	8 - 14	125340-42030	10 - 6	145600-38332	2 - 26
123120-38330	8 - 15	125340-42030	9 - 6	145600-38333	2 - 26
123121-22130	8 - 17	125341-49030	10 - 5	145711-35430	2 - 28
123122-39330	8 - 8	125341-49030	9 - 5	145711-60631	2 - 28
123123-38330	8 - 5	125342-13210	9 - 4	159011-03432	3 - 6
123124-38330	8 - 31	125342-52130	10 - 4	159011-03432	3 - 6
123125-15030	8 - 30	125344-08560	10 - 47	159012-01620	3 - 7
123126-10631	8 - 20	125344-08560	9 - 47	159012-01620	3 - 7
123127-15030	7 - 10	125344-52130	10 - 3	159017-31730	3 - 5
123127-15030	8 - 22	125344-52130	9 - 3	159025-37530	1 - 56
123130-02960	8 - 1	125345-13310	10 - 9	162010-38330	2 - 17
123133-04260	8 - 34	125345-13310	9 - 9	162010-38331	2 - 17
123134-04260	8 - 35	125345-51030	10 - 14	162010-38332	2 - 17
123137-19830	8 - 9	125345-51030	9 - 14	163400-38330	2 - 23
123138-03930	8 - 7	125348-13930	10 - 30	163413-38930	2 - 19
123139-03930	8 - 6	125348-13930	9 - 30	163804-38930	2 - 18
123140-03930	8 - 4	129010-33330	2 - 15	163804-38931	2 - 18
123141-03930	8 - 3	130000-38330	2 - 4	163804-38932	2 - 18
123142-03930	8 - 2	130000-38331	2 - 4	163804-38933	2 - 18
123146-10631	8 - 28	130010-38330	2 - 7	163804-38934	2 - 18
123146-17330	8 - 25	130016-39930	1 - 3	163804-38935	2 - 18

**Index**

<b>Patrs Number</b>	<b>Key No.</b>	<b>Patrs Number</b>	<b>Key No.</b>	<b>Patrs Number</b>	<b>Key No.</b>
163810-38931	2 - 20	433100-38932	6 -	890157-39130	2 - 22
163810-38932	2 - 20	433100-38933	6 -	890345-39230	1 - 44
163810-38933	2 - 20	433100-38934	6 -	895410-02830	7 - 31
163890-38330	1 - 22	433100-38935	6 -	895811-00130	7 - 32
175000-37531	5 - 30	433100-38936	6 -	898510-39130	7 - 30
175002-19830	5 - 35	433100-38937	6 -	898548-14531	7 - 33
175016-19830	5 - 33	433114-38331	5 - 9	898568-14530	7 - 34
175018-19830	5 - 34	433114-38331	6 - 9	900105-04006	2 - 27
175019-19830	5 - 32	433115-38330	5 - 47	900105-04006	5 - 36
175114-12530	5 - 39	433115-38330	6 - 47	900105-05012	5 - 21
175310-38330	7 - 15	433122-35430	5 - 45	900105-05014	2 - 29
177200-38333	3 - 19	433122-35430	6 - 45	900106-05020	1 - 6
177200-38334	3 - 19	433123-35430	5 - 51	900162-04016	1 - 38
177200-38335	3 - 19	433123-35430	6 - 51	900162-04030	3 - 10
177214-02830	3 - 21	433142-35430	5 - 50	900162-05014	3 - 17
177215-38330	3 - 23	433142-35430	6 - 50	900162-05022	1 - 5
177218-19830	3 - 15	433167-39130	5 - 8	900162-05050	2 - 12
177220-35430	3 - 25	433167-39130	6 - 8	900209-05030	5 - 10
177221-38330	3 - 24	433171-39330	5 - 12	900209-05030	6 - 10
177226-38330	3 - 22	433171-39330	6 - 12	900220-03006	5 - 17
177227-37930	3 - 27	433201-39331	5 - 5	900220-03006	6 - 17
177228-35430	3 - 26	433201-39331	6 - 5	900220-04006	2 - 16
177234-35430	3 - 13	433201-39332	5 - 5	900220-04006	5 - 16
177247-04630	3 - 14	433201-39332	6 - 5	900220-05018	1 - 28
178043-35430	4 - 9	433208-35431	5 - 48	900223-04016	7 - 14
178090-37930	4 - 7	433208-35431	6 - 48	900238-04018	5 - 13
178510-38331	2 - 24	433209-35430	5 - 46	900238-04018	6 - 13
178810-14531	2 - 21	433209-35430	6 - 46	900238-05012	1 - 1
178810-14532	2 - 21	433310-38330	5 - 53	900238-05012	3 - 20
178810-14533	2 - 21	433310-38330	6 - 53	900238-05016	1 - 26
178810-14534	2 - 21	436001-39232	1 - 45	900238-05018	3 - 31
351101-38332	4 - 11	436001-65630	1 - 45	900253-04010	5 - 19
351111-19830	4 - 4	436001-65631	1 - 45	900253-04010	5 - 19
351155-35430	4 - 6	436005-38332	1 - 37	900253-04010	6 - 19
351155-38430	4 - 31	436018-38330	1 - 34	900253-04010	6 - 19
433000-19831	1 - 27	436018-38330	1 - 34	900253-04014	4 - 5
433005-38932	5 - 23	436019-38330	1 - 36	900296-03014	3 - 28
433005-38932	6 - 23	436114-13930	1 - 39	900330-30240	5 - 7
433005-38933	5 - 23	436205-14730	7 - 19	900330-30240	6 - 7
433005-38933	6 - 23	437002-38330	7 - 6	900330-40088	5 - 49
433005-38934	6 - 23	437015-37330	7 - 9	900330-40088	6 - 49
433011-19830	1 - 35	437016-38330	7 - 7	900342-25012	5 - 52
433013-35431	5 - 15	437019-38330	7 - 12	900342-25012	6 - 52
433013-37330	5 - 15	437024-37330	7 - 11	900345-40030	4 - 10
433014-60930	5 - 26	437029-37330	7 - 8	900500-00004	5 - 11
433019-12330	5 - 22	437062-38330	7 - 13	900500-00004	6 - 11
433045-38330	1 - 48	437210-38330	7 - 18	900515-00008	3 - 12
433045-38331	1 - 48	437229-38331	7 - 5	900560-00005	5 - 6
433045-38332	1 - 48	880200-38330	5 - 20	900560-00005	6 - 6



**Index**

<b>Patrs Number</b>	<b>Key No.</b>	<b>Patrs Number</b>	<b>Key No.</b>	<b>Patrs Number</b>	<b>Key No.</b>
900562-50005	5 - 6	C305-000000	5 - 18	P021-001060	1 - 7
900562-50005	6 - 6	C305-000000	6 - 18	P021-001061	1 - 7
900603-00005	3 - 16	C305-000001	5 - 18	P021-001062	1 - 7
900720-00022	4 - 19	C305-000001	6 - 18	P021-001070	1 - 14
900721-00025	1 - 46	C309-000030	5 - 26	P021-001071	1 - 14
900725-02025	1 - 46	C328-000060	5 - 51	P021-001290	5 - 14
900810-36202	1 - 15	C328-000060	6 - 51	P021-001290	6 - 14
91145-05016	4 - 30	C400-000010	4 - 28	P021-001291	5 - 14
91145-05020	4 - 29	C450-000000	4 - 8	P021-001291	6 - 14
91318-05032	5 - 10	C454-000030	2 - 25	P021-003110	1 - 33
91318-05032	6 - 10	C454-000040	2 - 25	P021-004080	1 - 4
A021-000100	2 - 14	C454-000041	2 - 25	P021-004082	1 - 4
A021-000100	8 -	P003-000120	8 - 18	P021-007050	5 - 58
A021-000560	2 - 14	P003-000130	8 - 23	P021-007070	5 - 55
A021-000560	9 -	P003-000140	8 - 13	P021-008610	2 - 26
A021-000561	2 - 14	P003-000150	8 - 24	P021-010130	6 -
A021-000561	9 -	P003-000160	8 - 12	P021-010131	6 -
A021-001000	10 -	P003-000230	8 - 10	P021-010160	5 - 23
A021-001000	2 - 14	P005-000770	10 - 13	P021-010160	6 - 23
A160-000100	1 - 19	P005-000770	9 - 13	P021-011470	4 - 11
A160-000101	1 - 19	P005-000780	10 - 24	P021-011471	4 - 11
A160-000102	1 - 19	P005-000780	9 - 24	V135-000010	1 - 40
A172-000060	3 - 18	P005-000790	10 - 23	V150-001740	1 - 57
A172-000061	3 - 18	P005-000790	9 - 23	V162-000040	4 - 16
A172-000062	3 - 18	P005-000800	10 - 31	V203-000040	5 - 25
A204-000000	2 - 11	P005-000800	9 - 31	V203-000041	5 - 25
A204-000001	2 - 11	P005-000810	10 - 27	V203-000090	3 - 17
A204-000002	2 - 11	P005-000810	9 - 27	V203-000110	5 - 25
A204-000003	2 - 11	P005-000820	10 - 41	V203-000110	6 - 25
A204-000004	2 - 11	P005-000820	9 - 41	V304-000090	5 - 62
A232-000020	1 - 20	P005-000830	10 - 43	V304-000090	6 - 62
A232-000021	1 - 20	P005-000830	9 - 43	V308-000000	1 - 11
A232-000023	1 - 20	P005-000840	9 - 21	V308-000010	1 - 11
A235-000020	1 - 21	P005-000850	9 - 20	V355-000030	5 - 29
A241-000000	2 - 24	P005-000860	10 - 26	V355-000270	5 - 29
A241-000100	2 - 24	P005-000860	9 - 26	V420-001130	2 - 5
A365-000050	1 - 47	P005-000870	9 - 36	V451-000500	5 - 57
A365-000050	4 - 18	P005-000880	10 - 38	V508-000000	1 - 16
A409-000030	3 - 11	P005-000880	9 - 38	V556-000000	1 - 12
A411-000030	3 - 9	P005-000890	9 - 37	V557-000000	5 - 37
A411-000031	3 - 9	P005-000900	10 - 18	V557-000010	5 - 37
A426-000010	3 - 6	P005-000900	9 - 18	V609-000000	1 - 9
A426-000010	3 - 6	P005-001300	10 - 37	V651-000000	5 - 27
A427-000012	3 - 7	P005-001300	9 - 37	V651-000001	5 - 27
A427-000012	3 - 7	P005-001310	10 - 36	V651-000010	5 - 28
A551-000000	5 - 40	P005-001310	9 - 36	V651-000011	5 - 28
A551-000060	5 - 59	P005-001820	10 - 21	V652-000000	1 - 18
A552-000050	5 - 56	P005-001830	10 - 20	X502-000000	5 - 24
A556-000020	5 - 38	P005-001840	10 - 48	X502-000010	3 - 32

**Index**

<b>Patrs Number</b>	<b>Key No.</b>	<b>Patrs Number</b>	<b>Key No.</b>	<b>Patrs Number</b>	<b>Key No.</b>
X503-000660	1 - 41				
X503-005660	1 - 41				
X505-000000	1 - 42				
X505-000180	1 - 43				
X505-001340	1 - 60				
X505-001350	1 - 43				
X505-002340	5 - 63				

# YAMABIKO CORPORATION

7-2 SUEHIROCHO 1-CHOME, OHME, TOKYO 198-8760, JAPAN  
PHONE: 81-428-32-6118. FAX: 81-428-32-6145.

